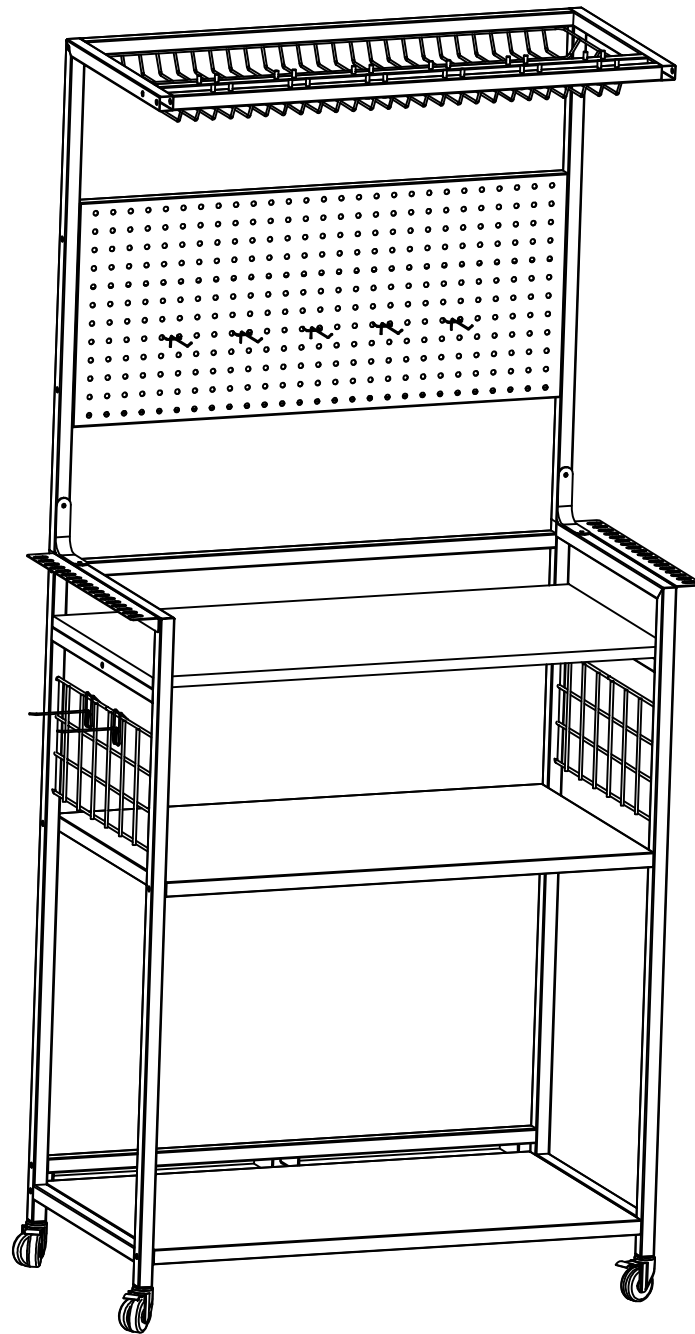


# Installation Manual

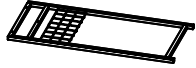
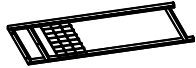



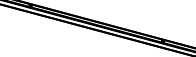

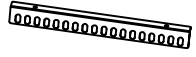
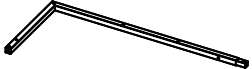

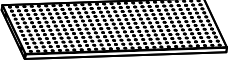
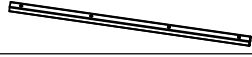



## Fishing Rod Holders










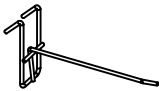



Customer Service: [ahomrt@163.com](mailto:ahomrt@163.com)






---

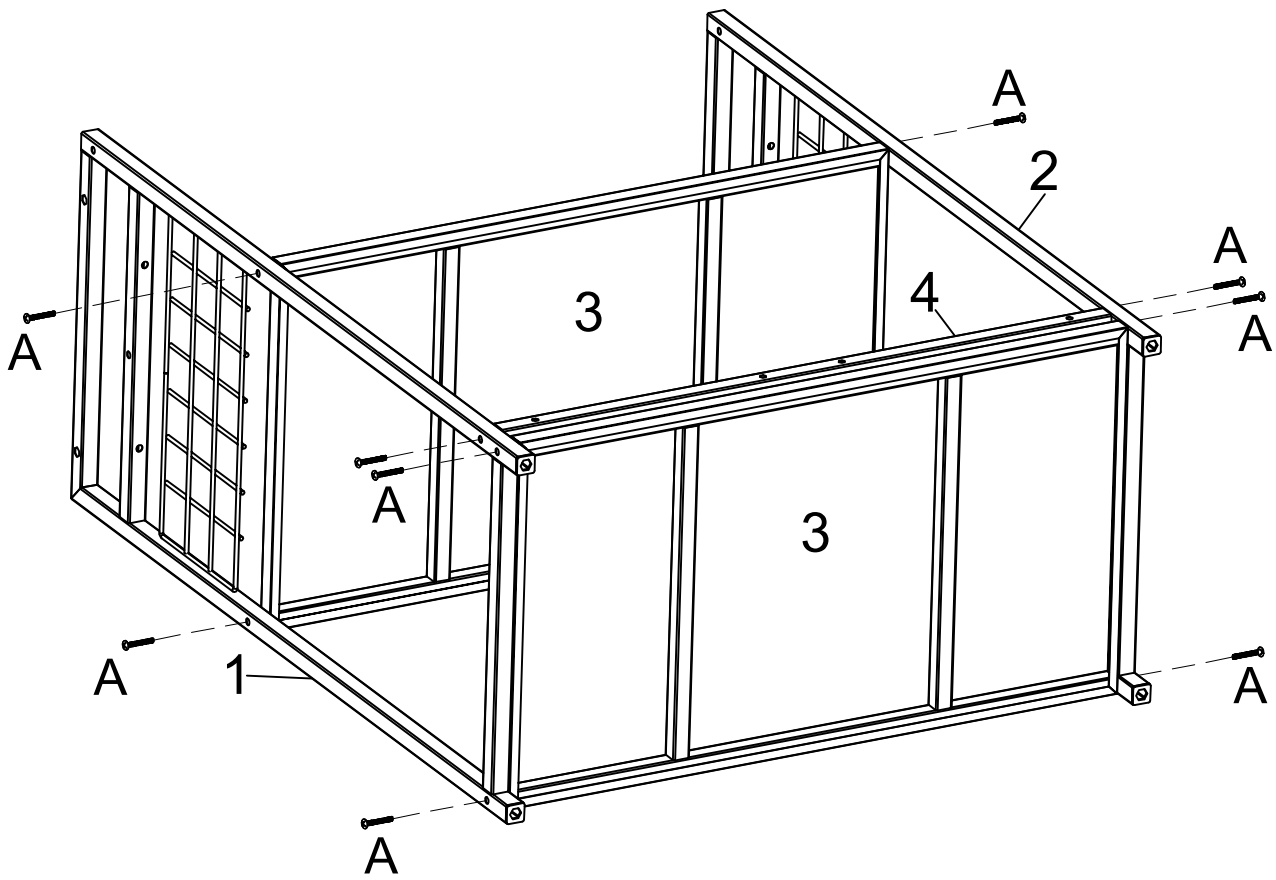
# Parts List

Number	Parts	Quantity
1		1PC
2		1PC
3		2PCS
4		1PC
5		1PC
6		1PC
7		1PC
8		2PCS
9		1PC
10		1PC
11		1PC
12		1PC
13		1PC
14		1PC
15		1PC

Number	Parts	Quantity
A	 M6x35	20PCS
B	 M6x30	10PCS
C	 M6x12	4PCS
D	 M4x12	24PCS
E		2PCS
F		4PCS
G		8PCS
H		2PCS
I		2PCS
J		2PCS
K		10PCS

# Step 1

	A x 10
	1 x 1
	2 x 1
	3 x 2
	4 x 1

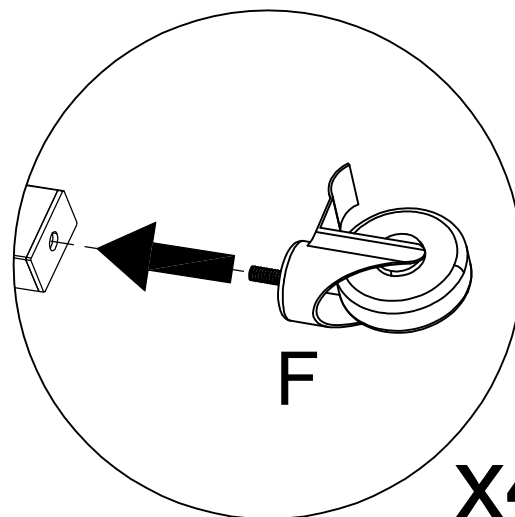


# Step 2

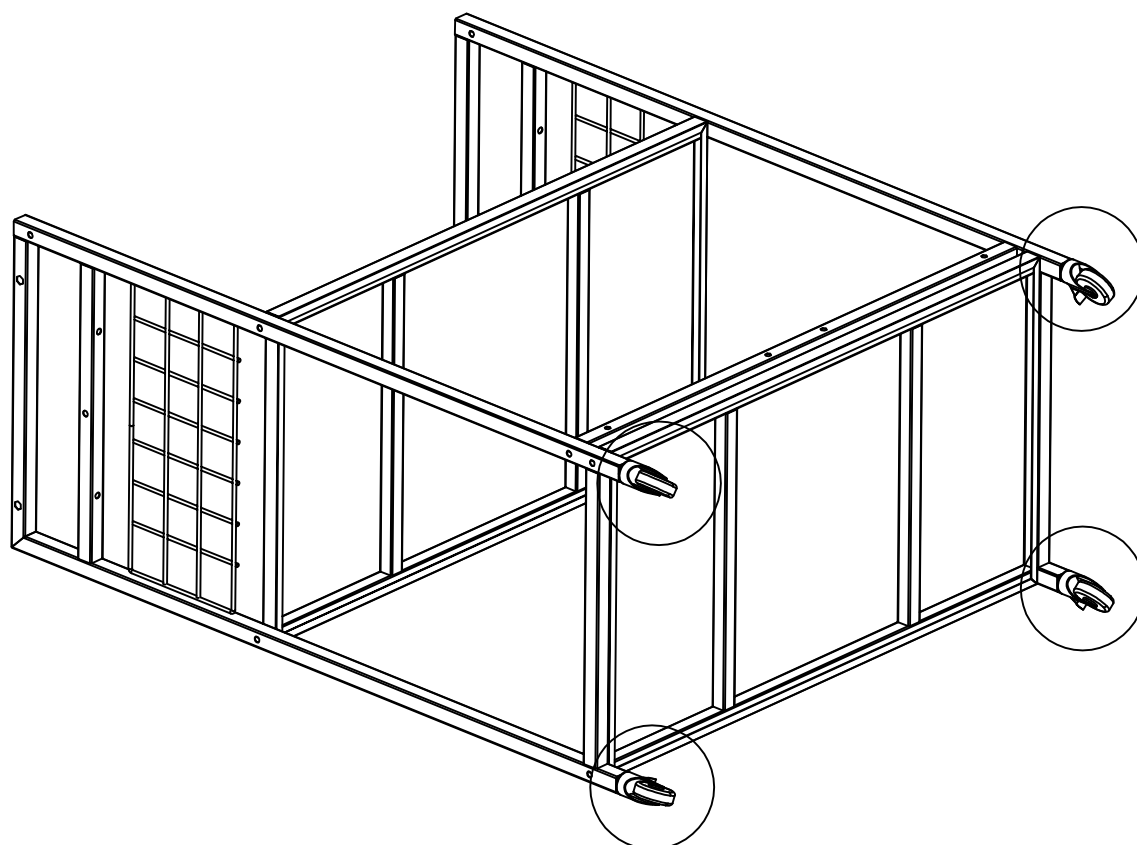


F x 4

Tips: It is recommended to lock the wheels (F-type parts) before installation, as this will make the process smoother



x4



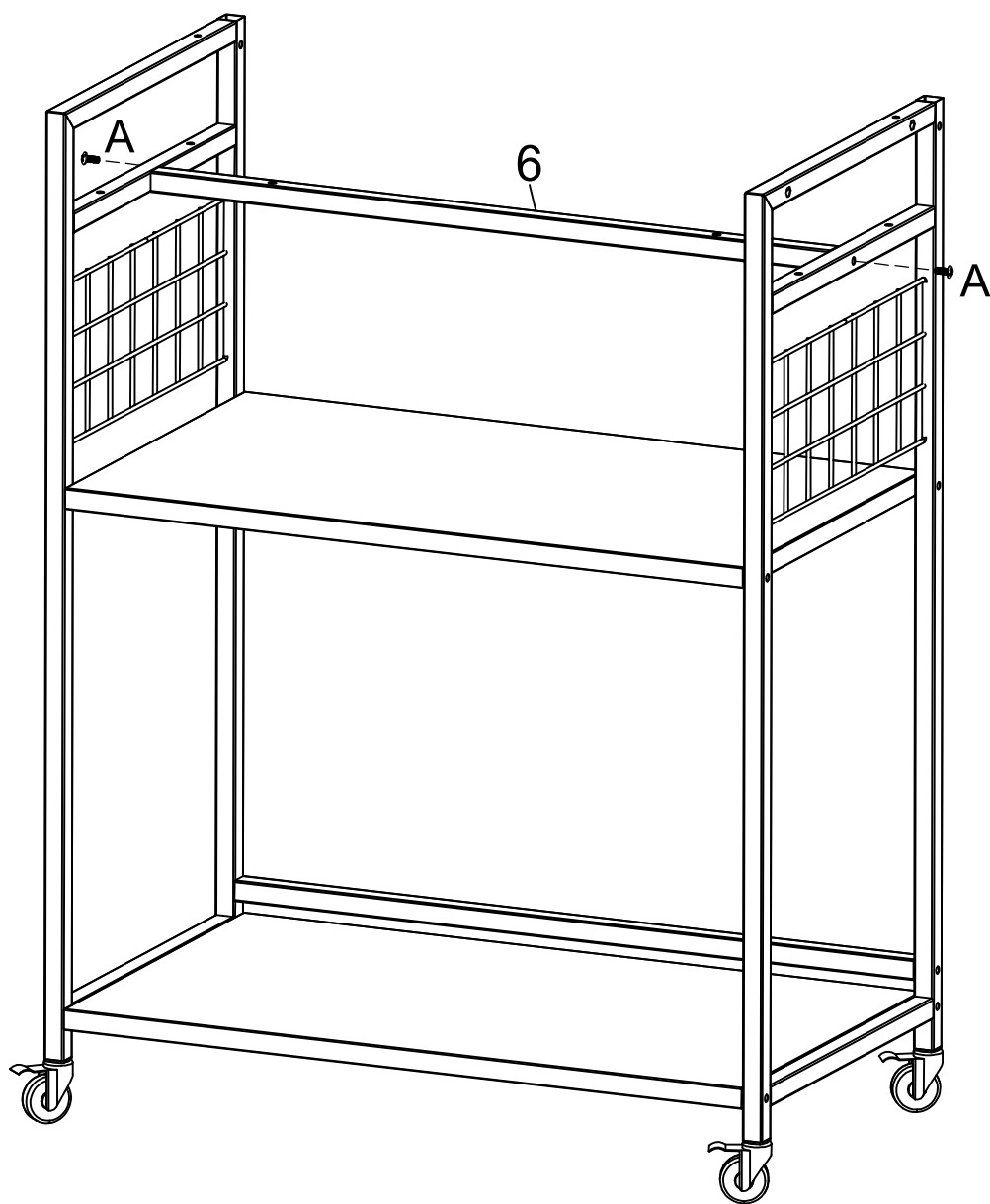
# Step 3



A x 2



6 x 1



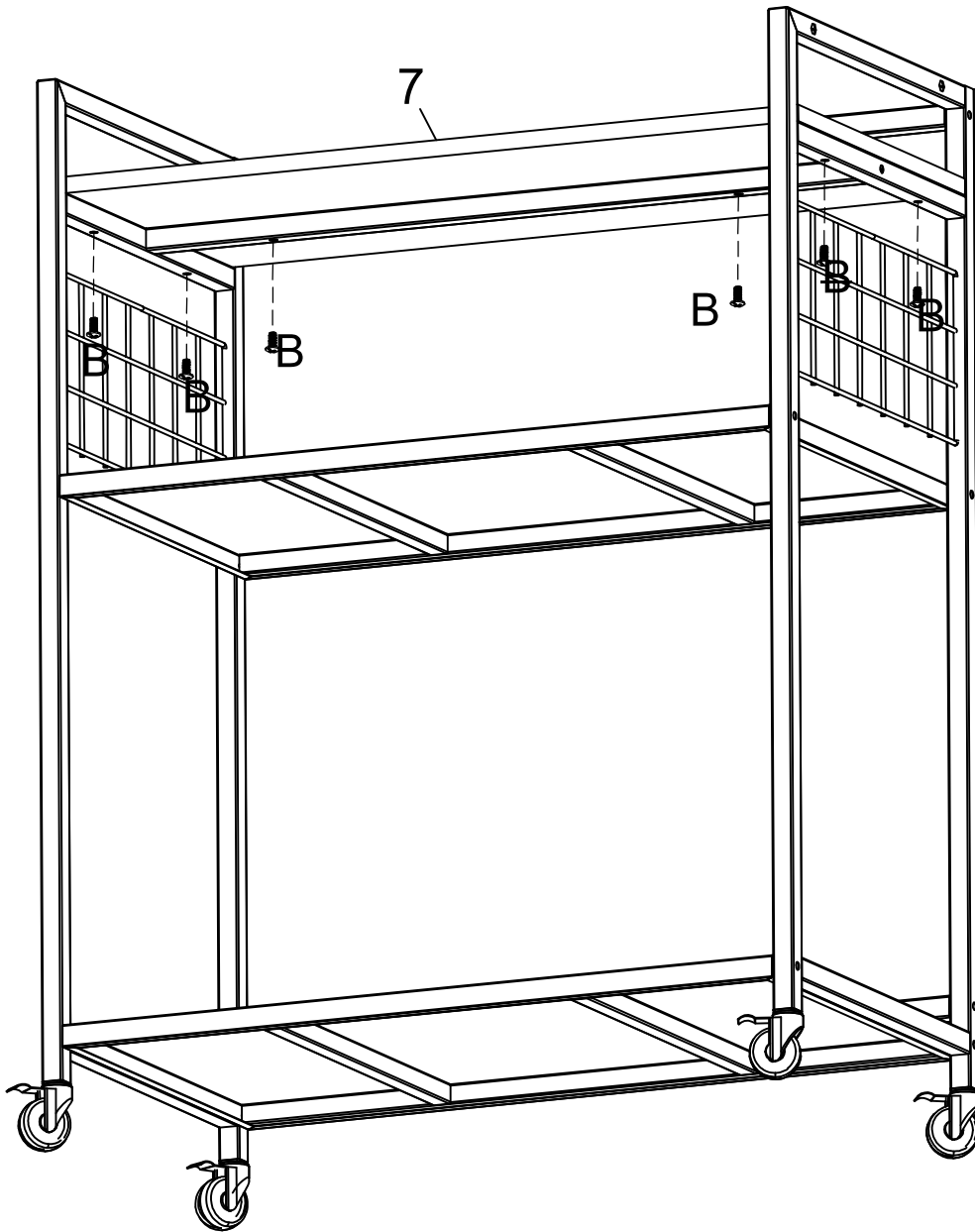
# Step 4



B x 6



7 x 1



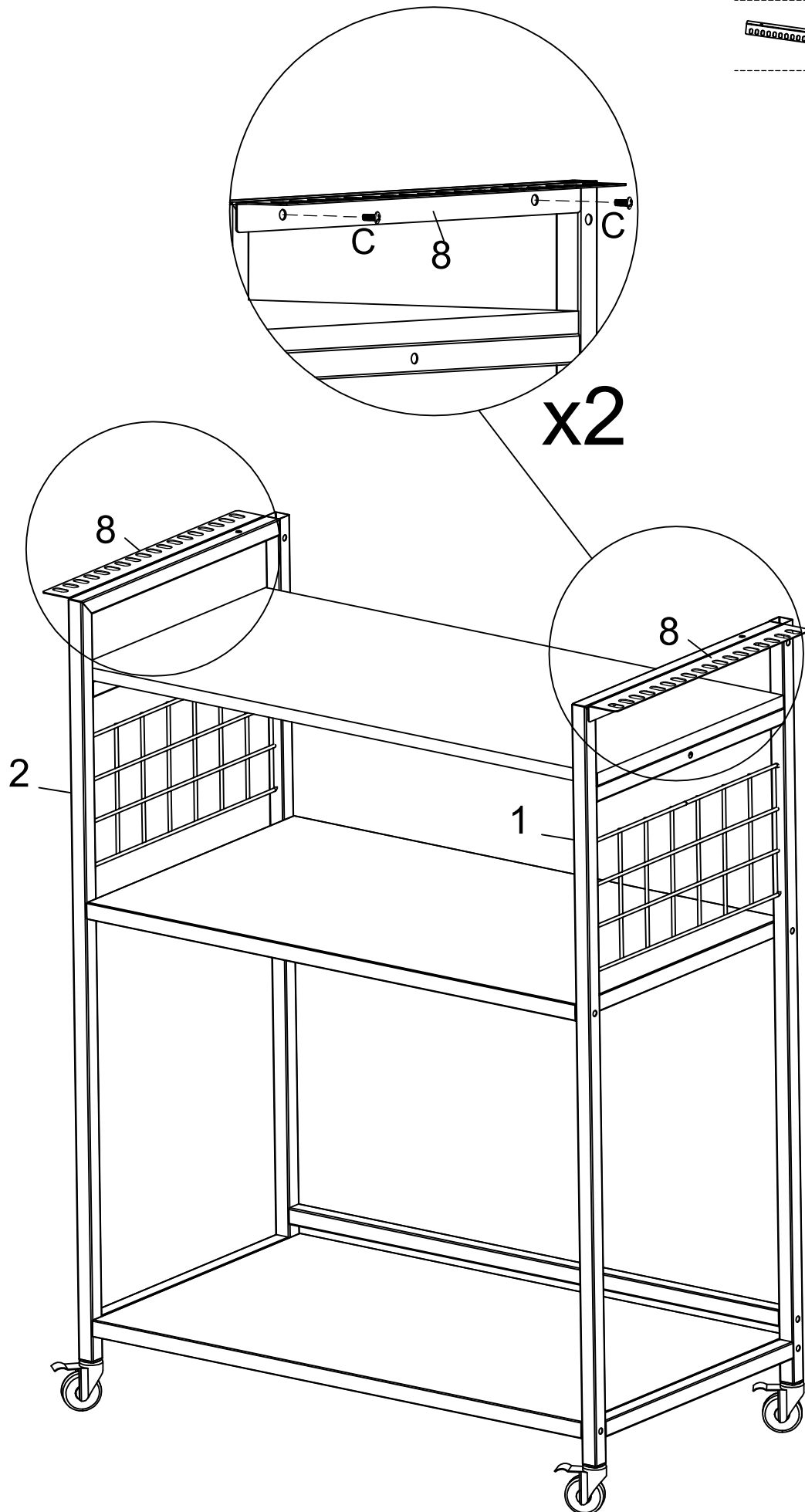
# Step 5



C x 4



8 x 2



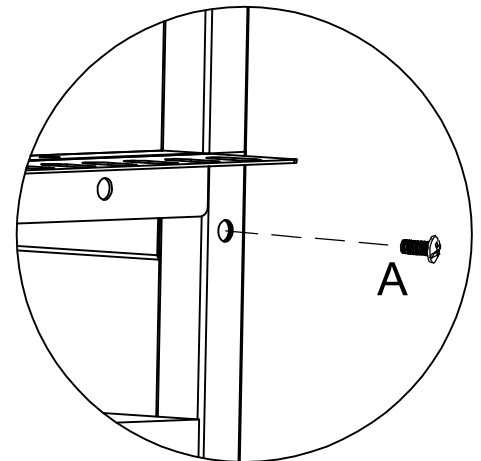
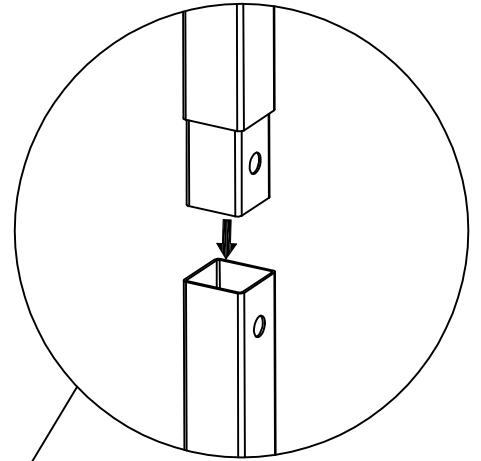
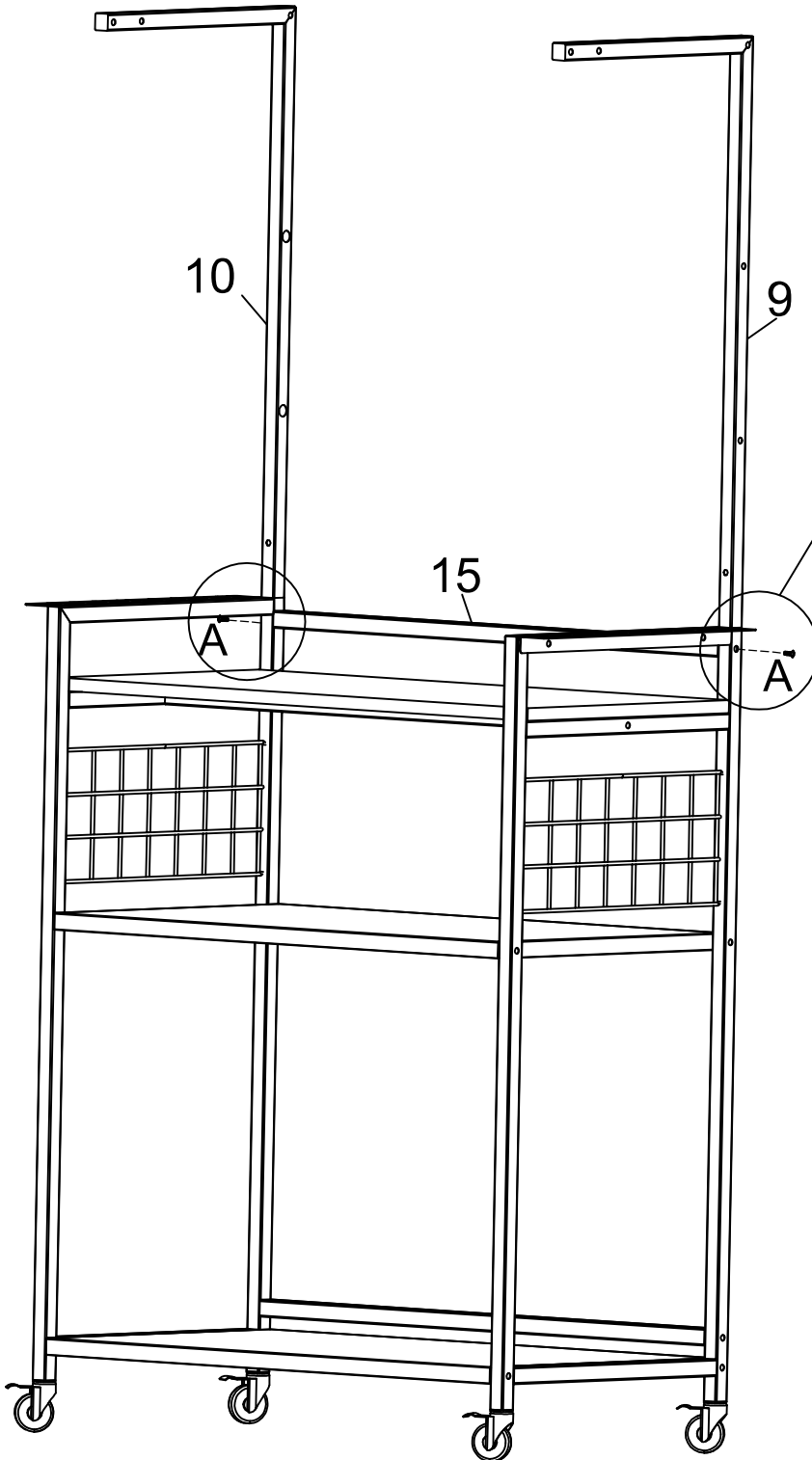
# Step 6

 A x 2

 9 x 1

 10 x 1

 15 x 1



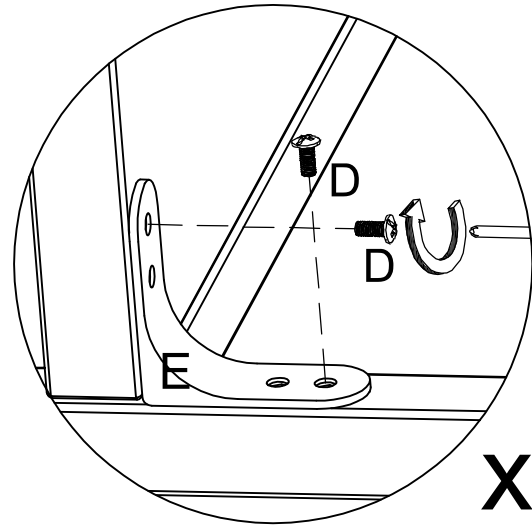
# Step 7



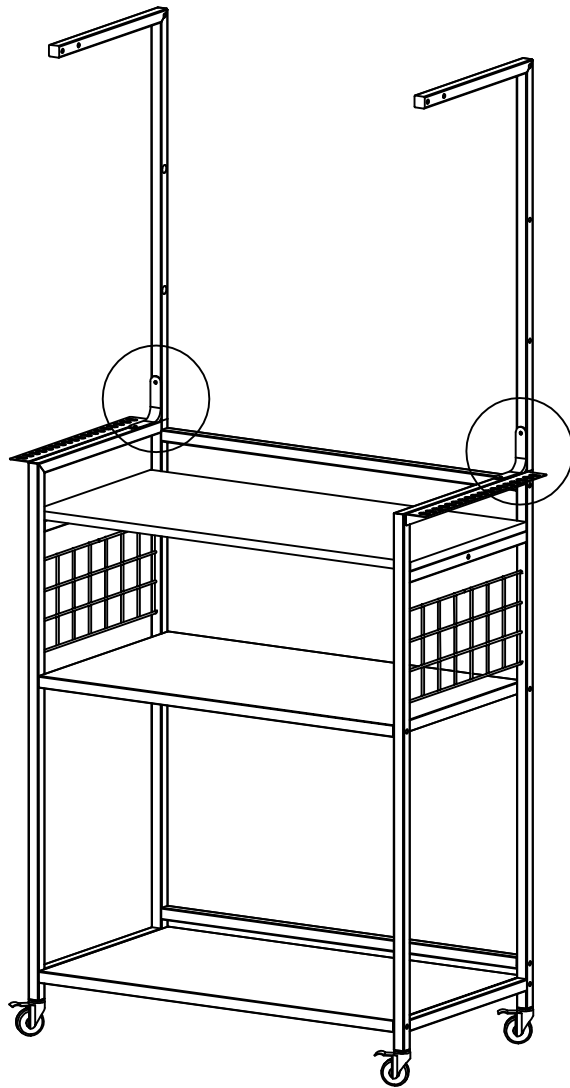
D x 4



E x 2



x2



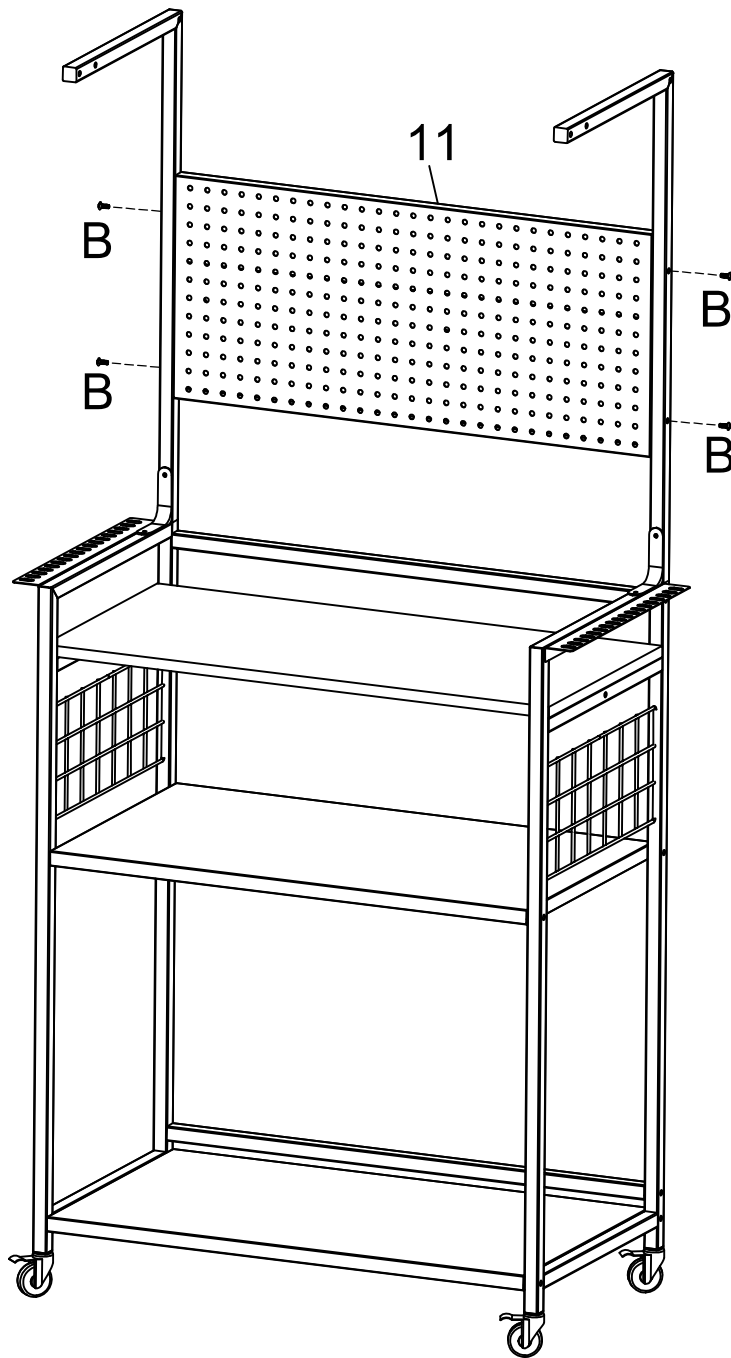
# Step 8



B x 4



11 x 1



# Step 9



A x 6



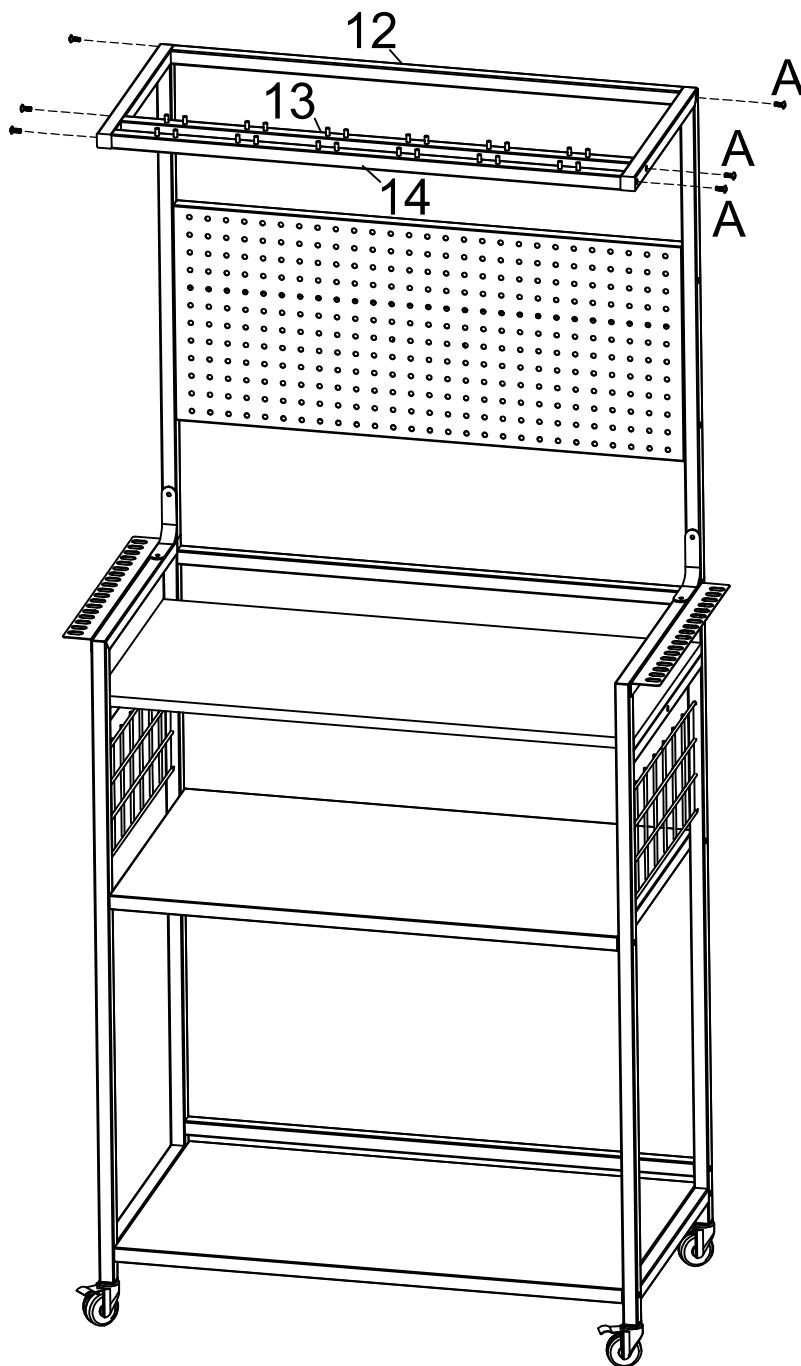
12 x 1



13 x 1



14 x 1



# Step 10



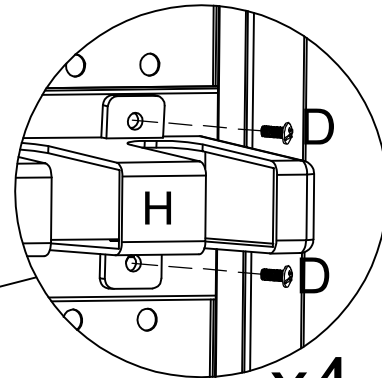
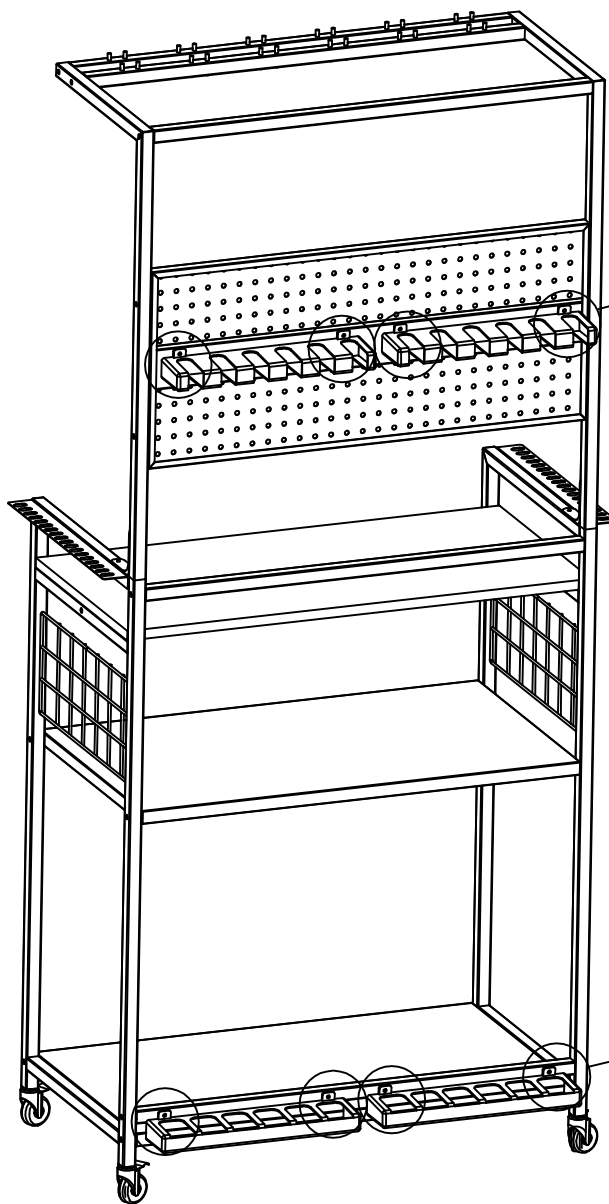
D x 12



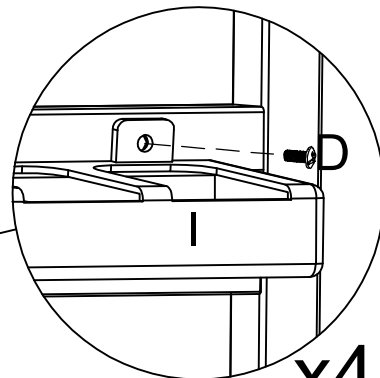
H x 2



I x 2



x4



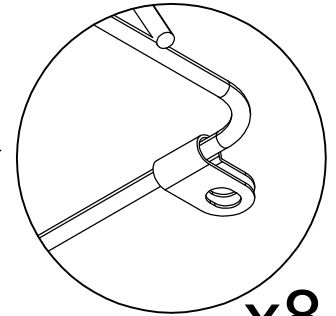
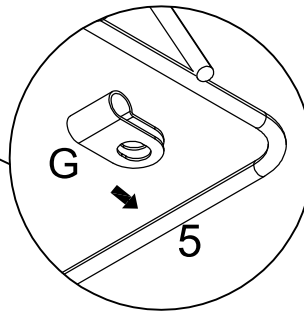
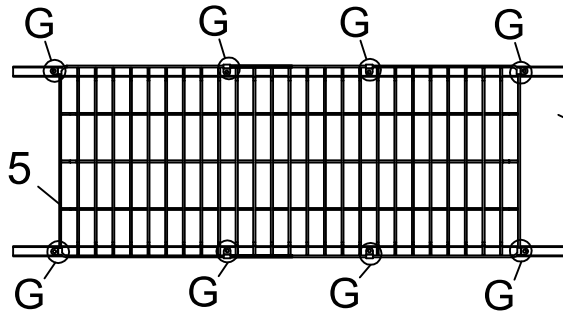
x4

# Step 11

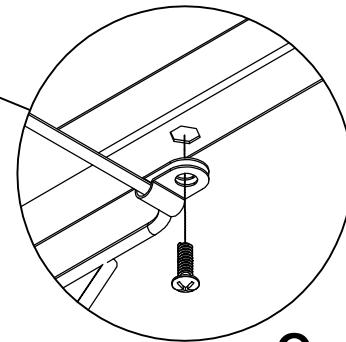
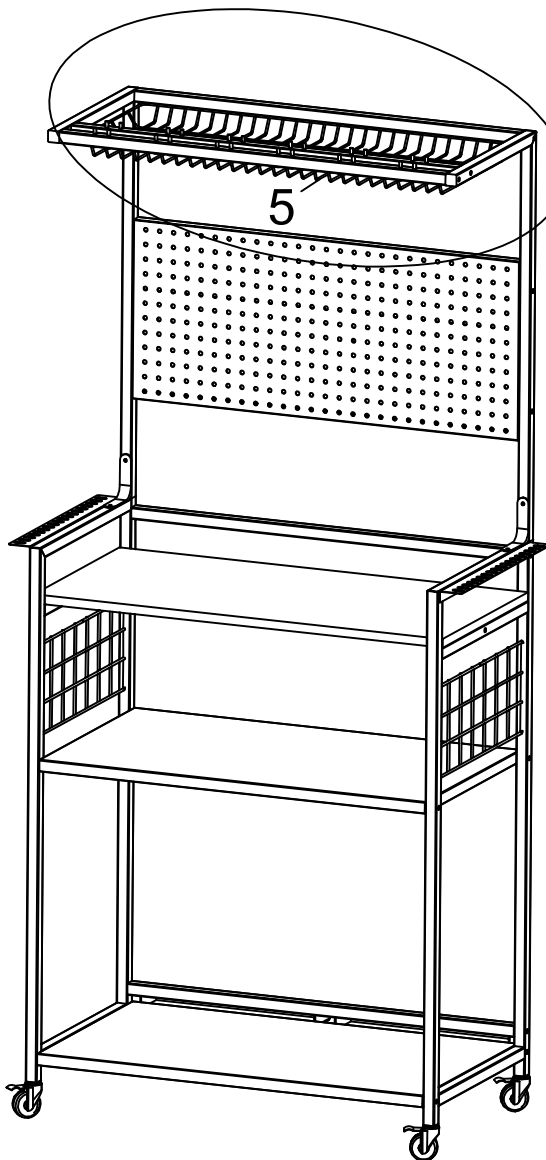
 D x 8

 G x 8

 5 x 1

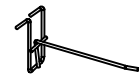


x8



x8

# Step 12

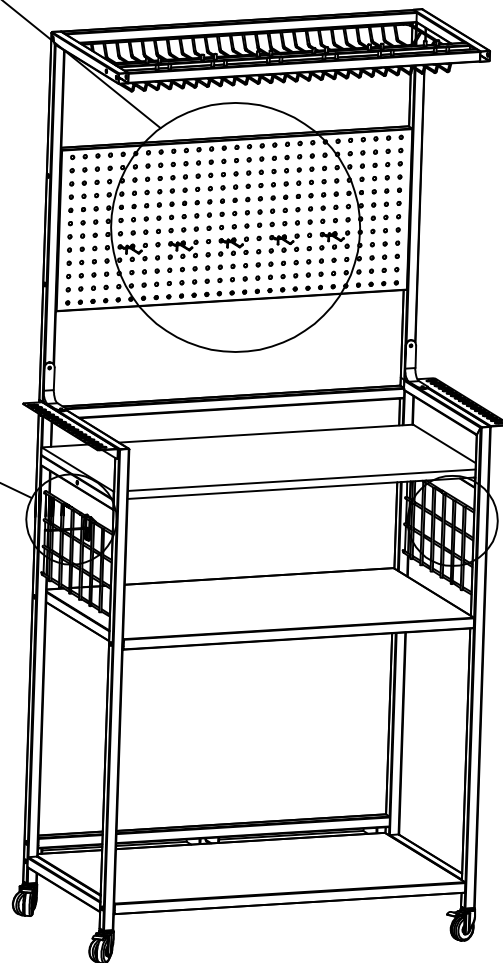
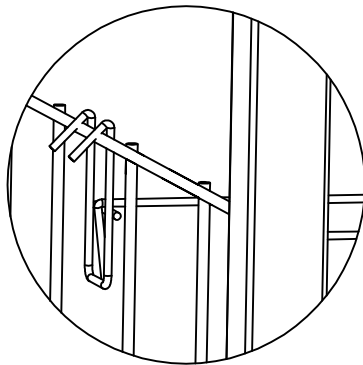
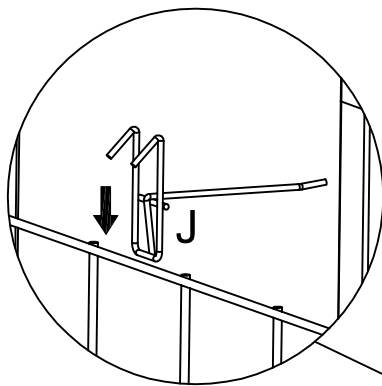
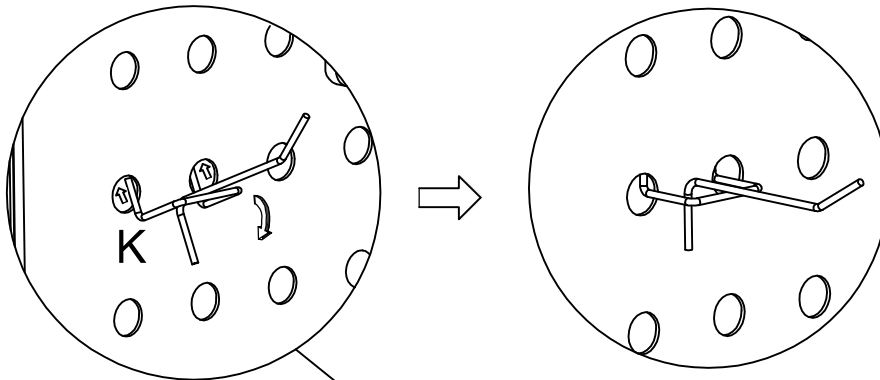


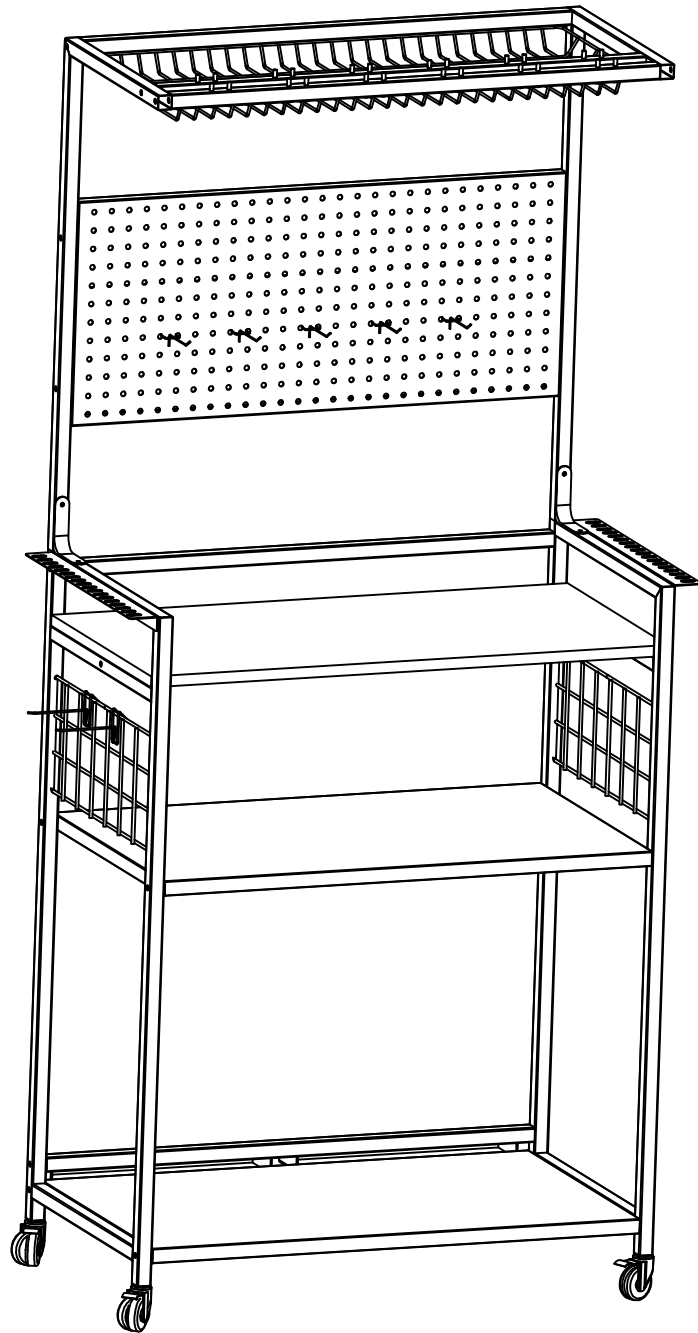
J x 4



K x 10

Tips: We have provided sufficient J-type and K-type parts. Please choose and use them according to your requirements





Final Assembly