

INSTRUCTION MANUAL

WARNING

- You need a helper to finish the installation.
- DO NOT let children climb the product.
- To avoid suffocation danger, keep small parts and package materials away from children.
- Adult assembly required. Keep children away during the installation.
- You could use "corner guard" to protect children from getting hurt by the product's edges.
- Carefully separate and identify all the parts included in your package. Confirm that you have all the components listed in the instruction manual. If any parts were missing, broken or wrong delivered, contact us immediately, we are here to help you.

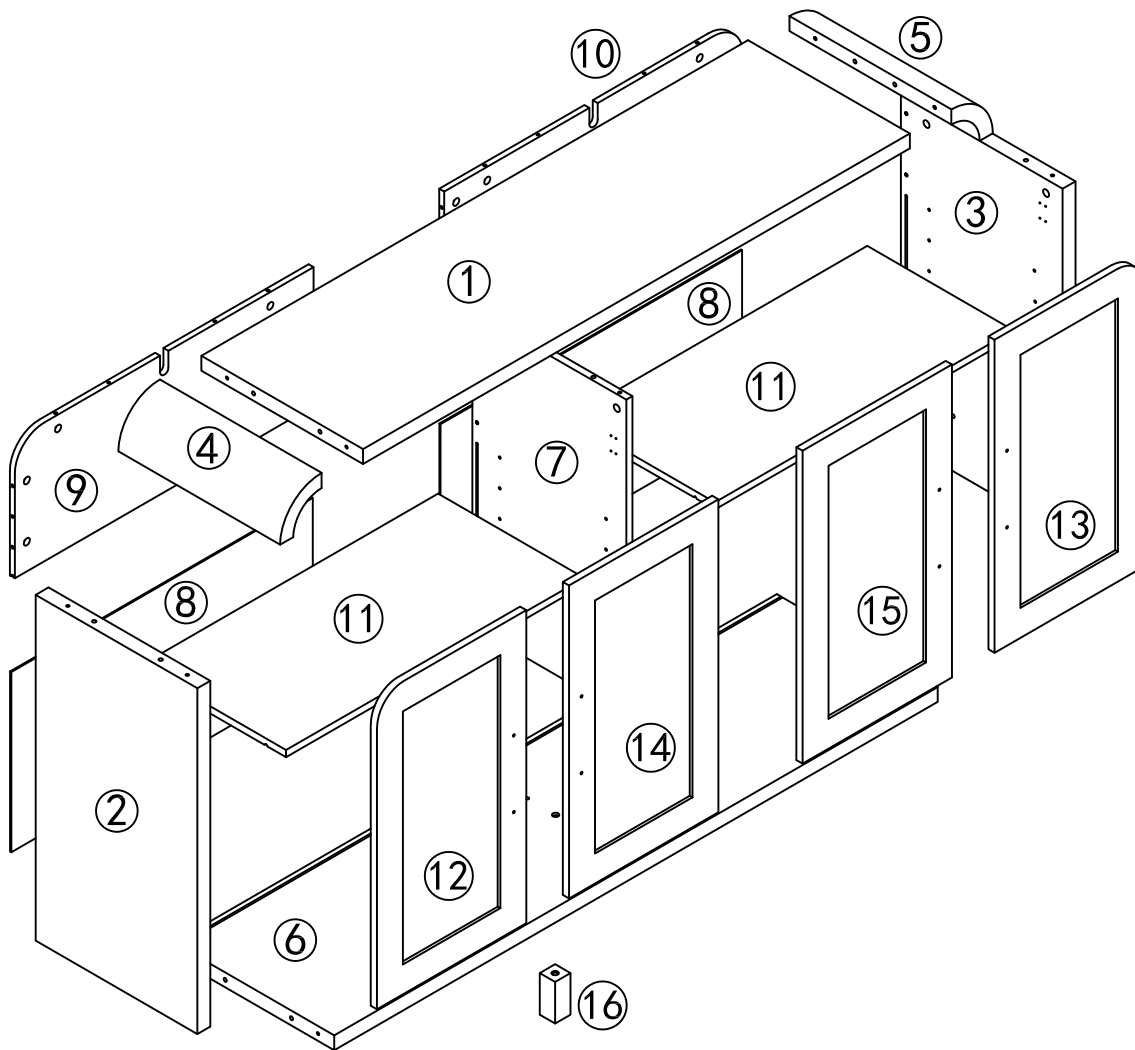
Assembly Instructions

Before beginning the assembly process, please read and save these instructions for reference.

Following these guidelines will ensure a smooth and successful assembly of your product.

- **Work Surface** : To prevent any scratches or damage to the product, assemble it on a soft mat or a similar protective surface. This will provide a cushioned area for the components and protect the surfaces from unwanted marks.
- **Step - by - Step Assembly** : Follow the assembly instructions provided, proceeding one step at a time. Take care to understand each step properly before proceeding to the next one. This sequential approach ensures that the assembly is done correctly and minimizes the chance of errors.
- **Proper Screw Seating** : When attaching screws and nuts, it is essential not to fully tighten them until all screws are correctly seated. By partially tightening each screw and nut initially, you can ensure that they are aligned properly and fit securely before final tightening.
- **Avoid Over - Tightening** : While each screw and nut should be tightened correctly, it is crucial not to over - tighten them. Over - tightening can cause damage to the product or compromise its structural integrity. Use the appropriate amount of force to secure the components without excessive tightening.

Parts List

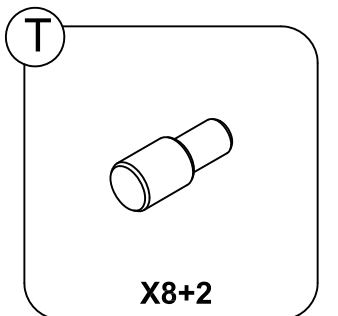
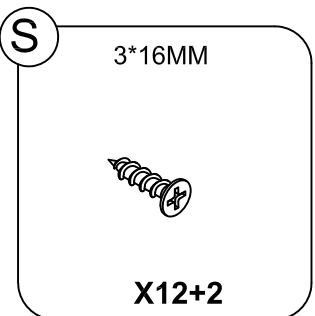
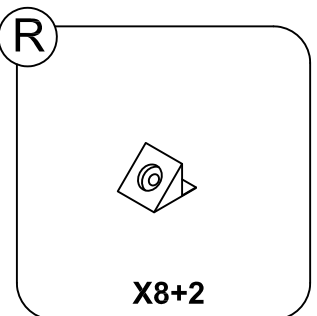
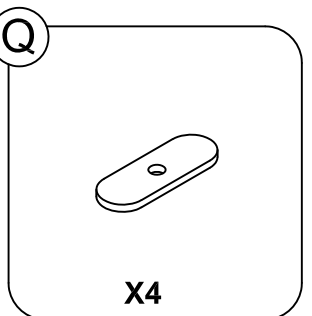
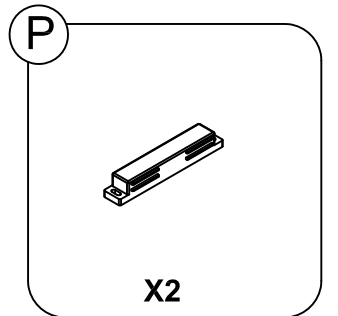
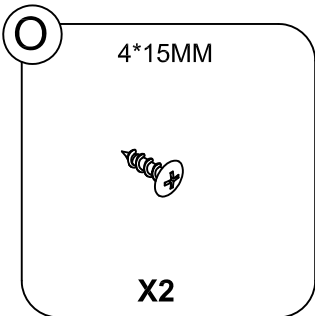
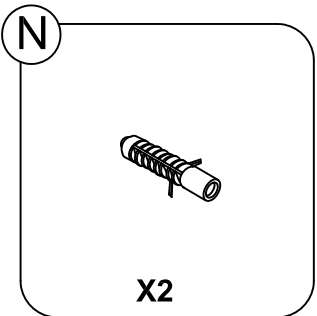
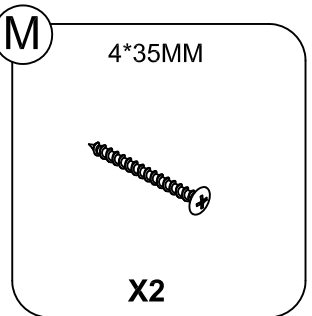
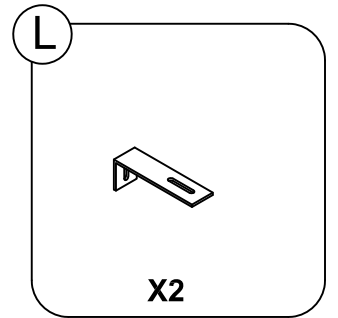
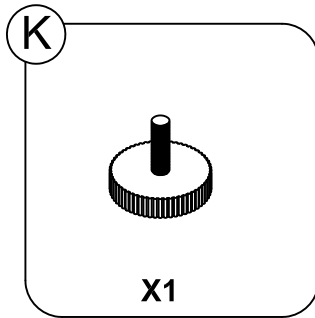
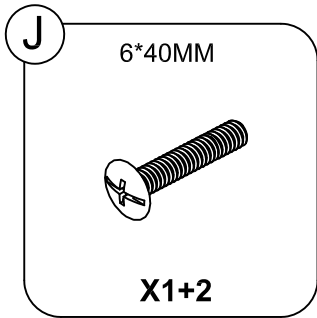
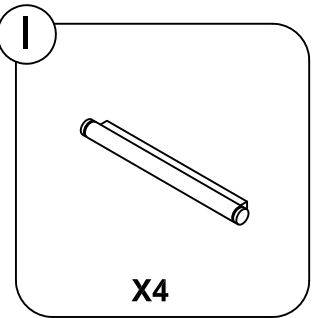
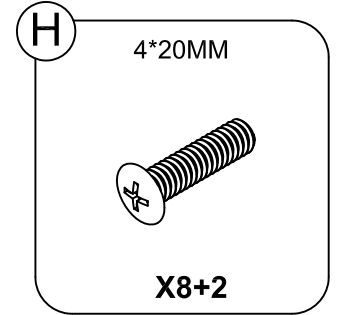
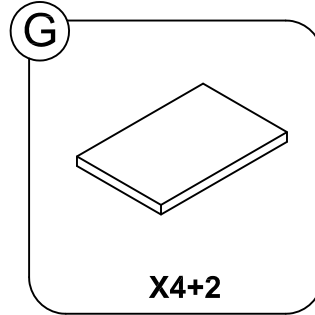
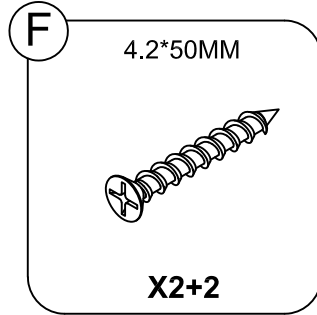
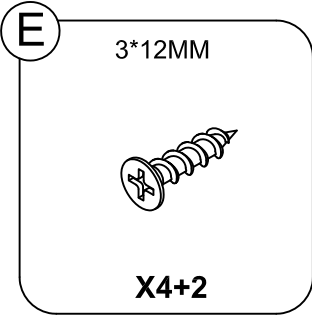
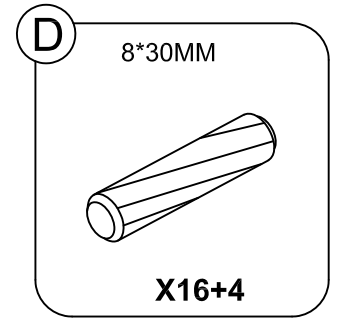
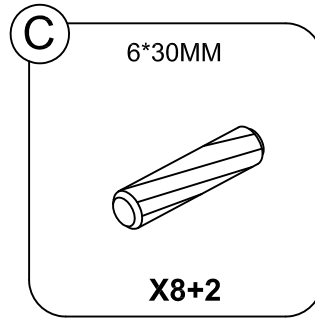
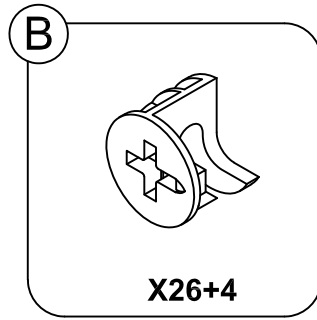
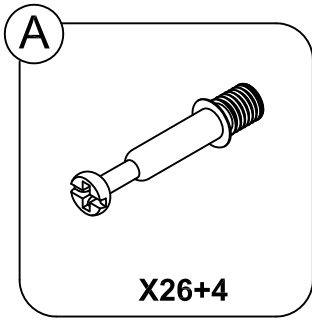


TOOLS
REQUIRED



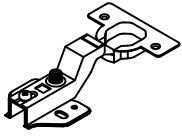
2 PERSON
ASSEMBLY

Hardware



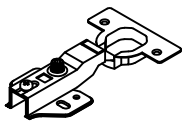
Hardware

U



X4

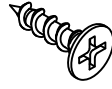
V



X4

W

4*14MM



X48+5

X

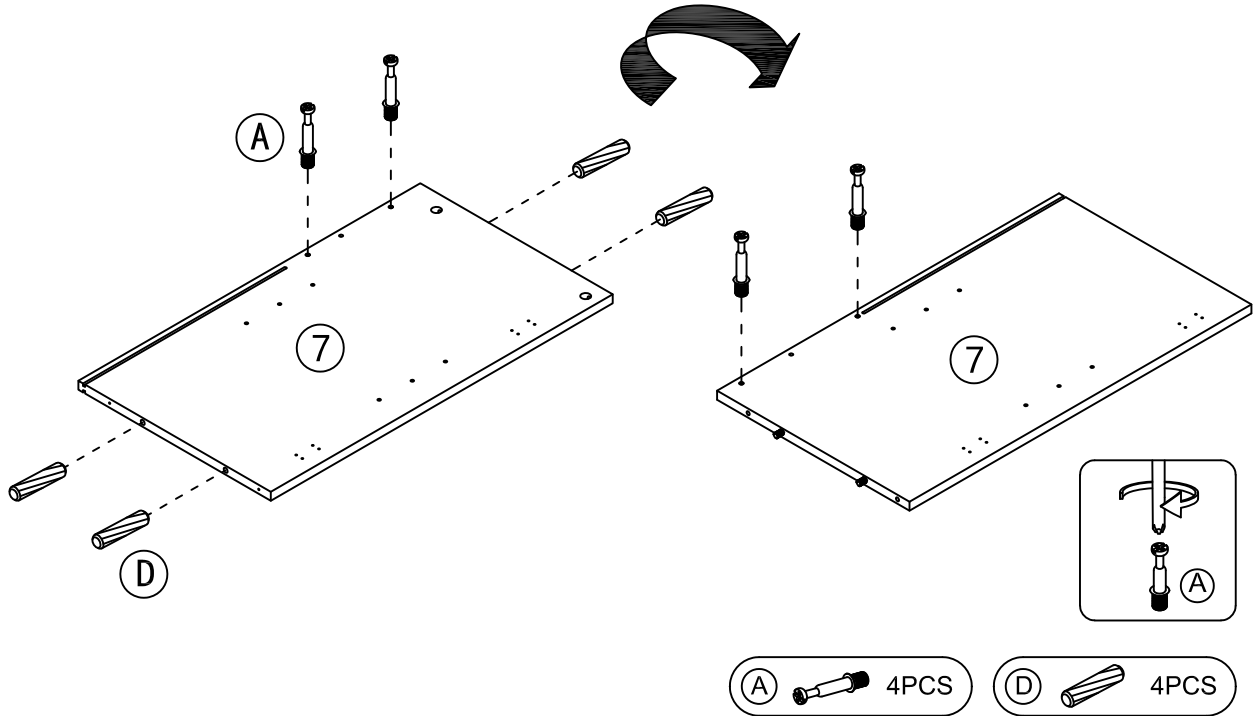


X18+5

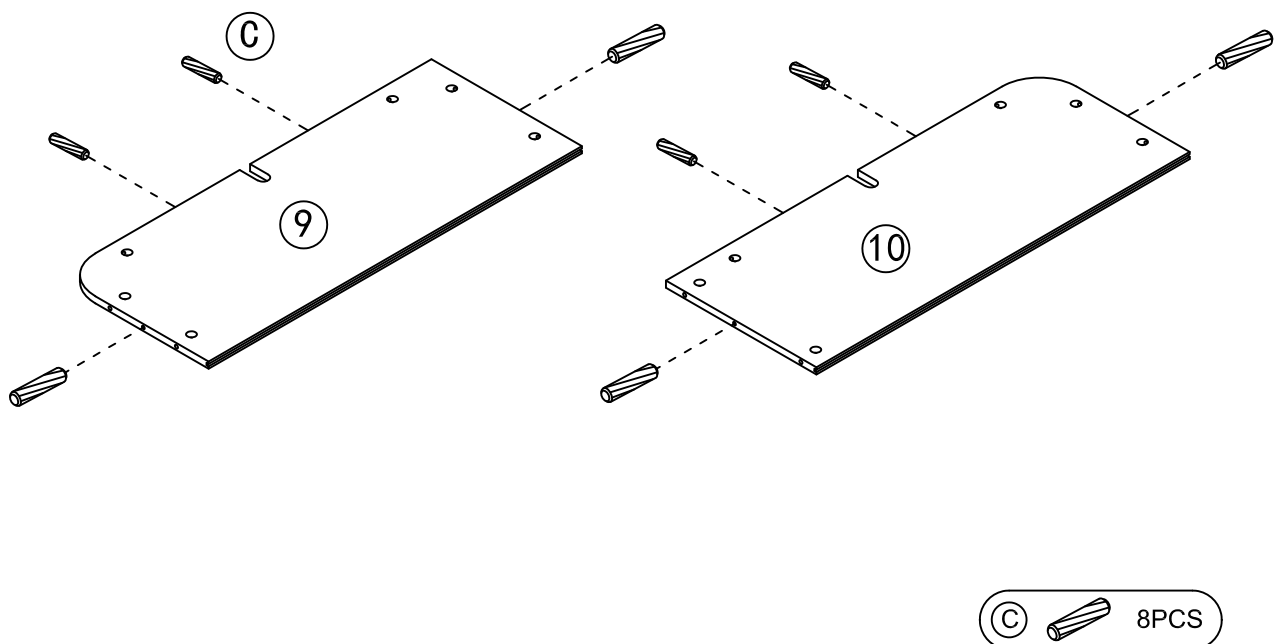
INSTALLATION STEPS

Step 1

Turn 180°

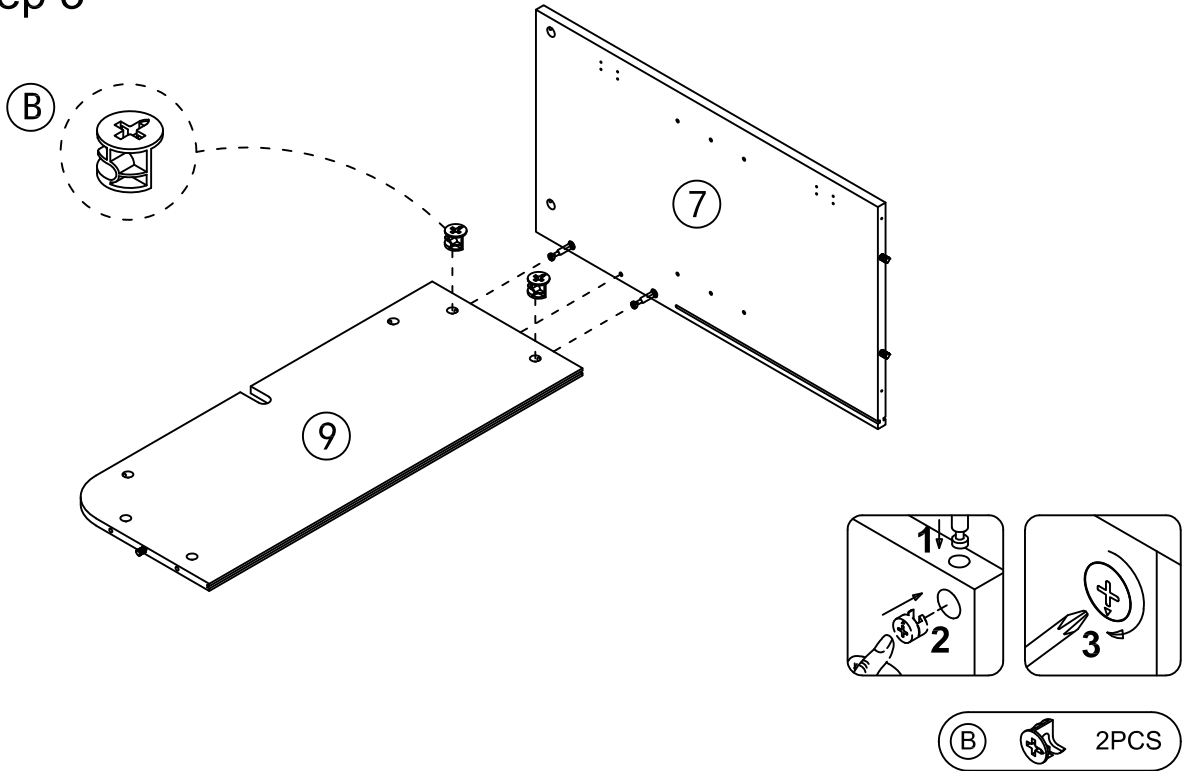


Step 2

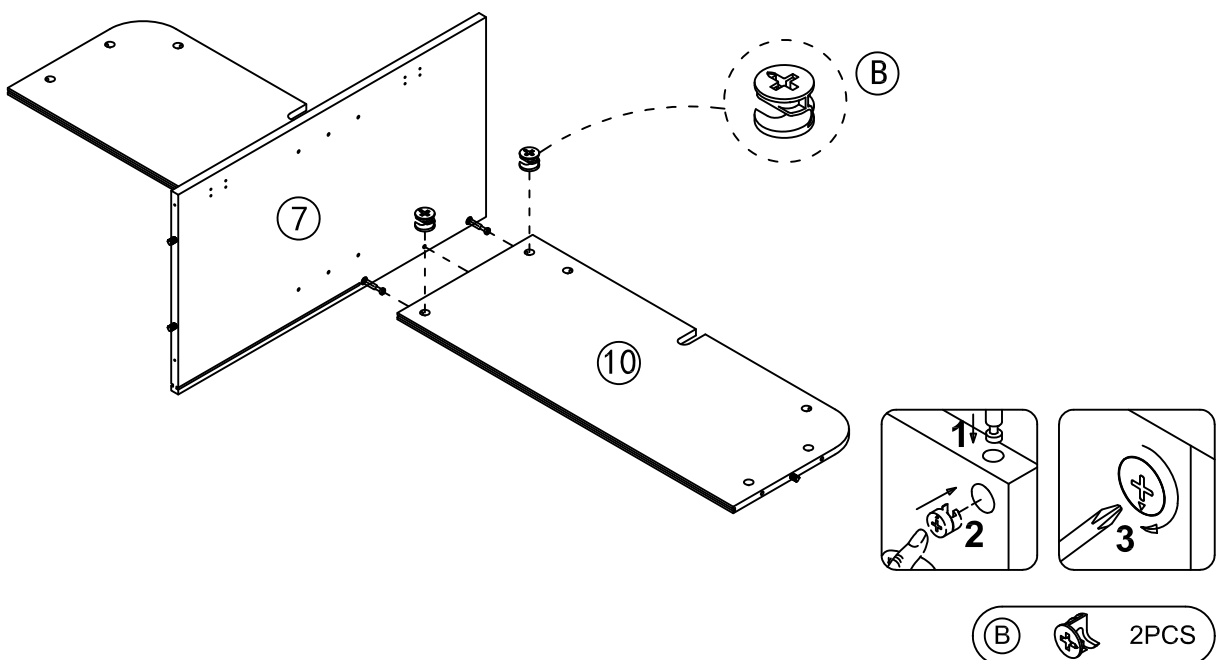


INSTALLATION STEPS

Step 3

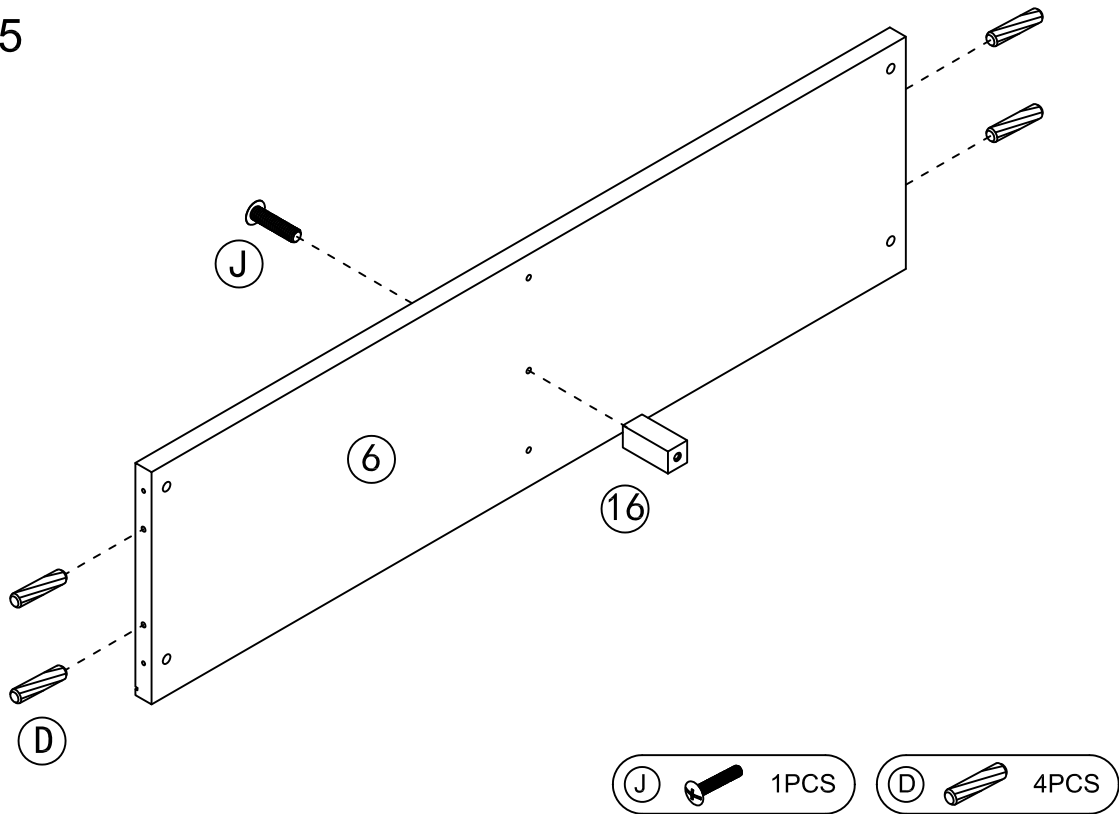


Step 4

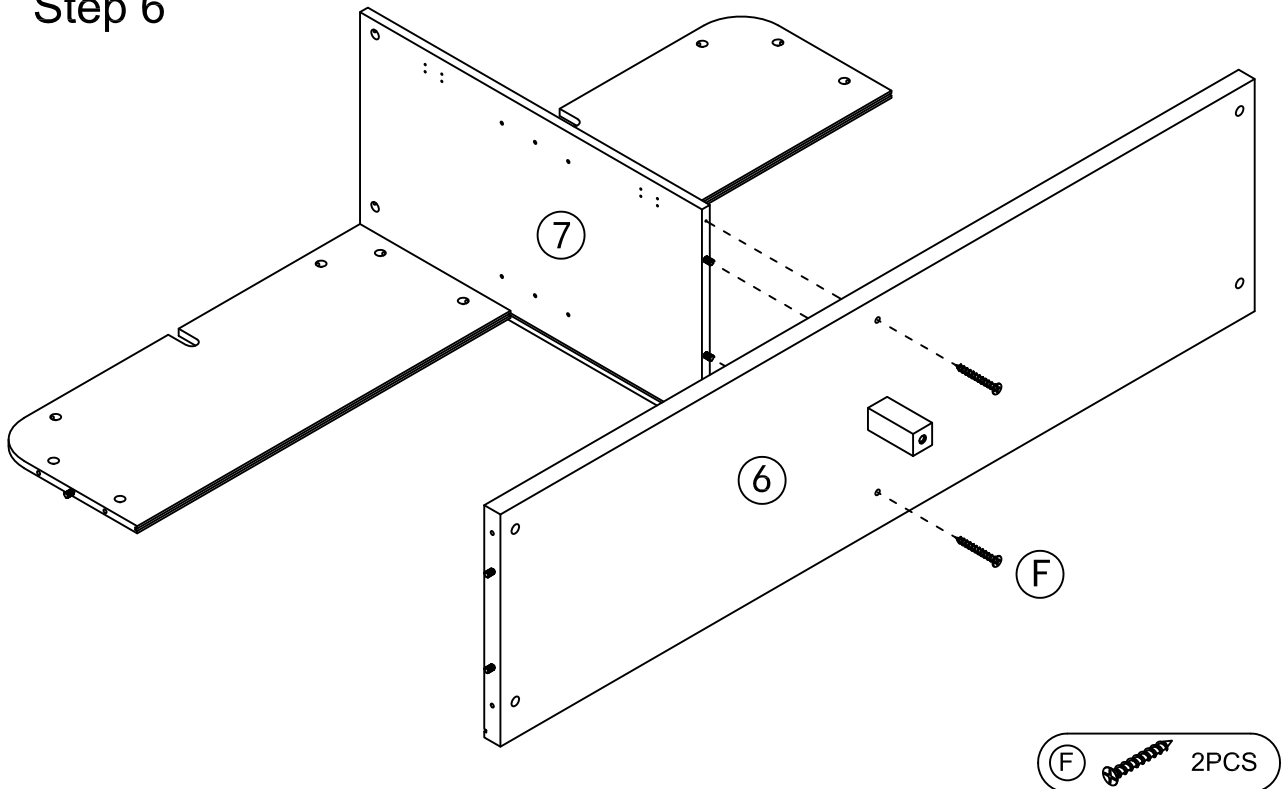


INSTALLATION STEPS

Step 5

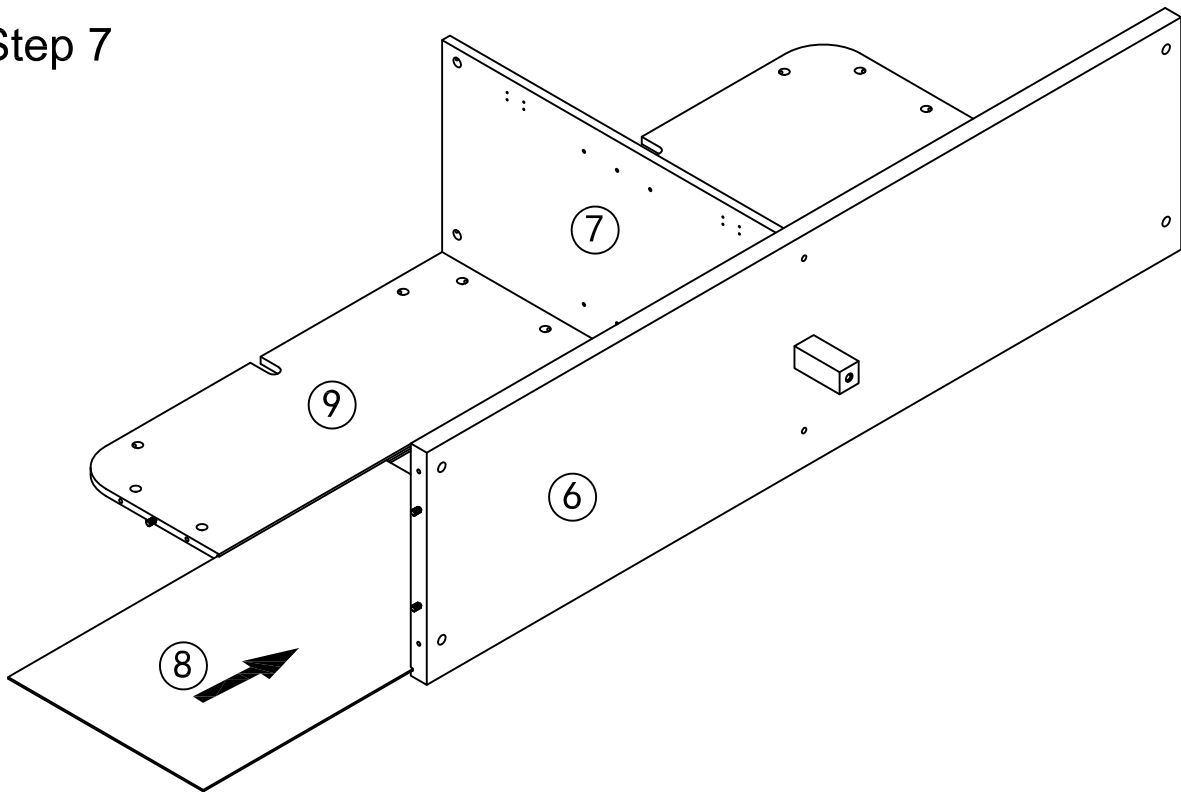


Step 6

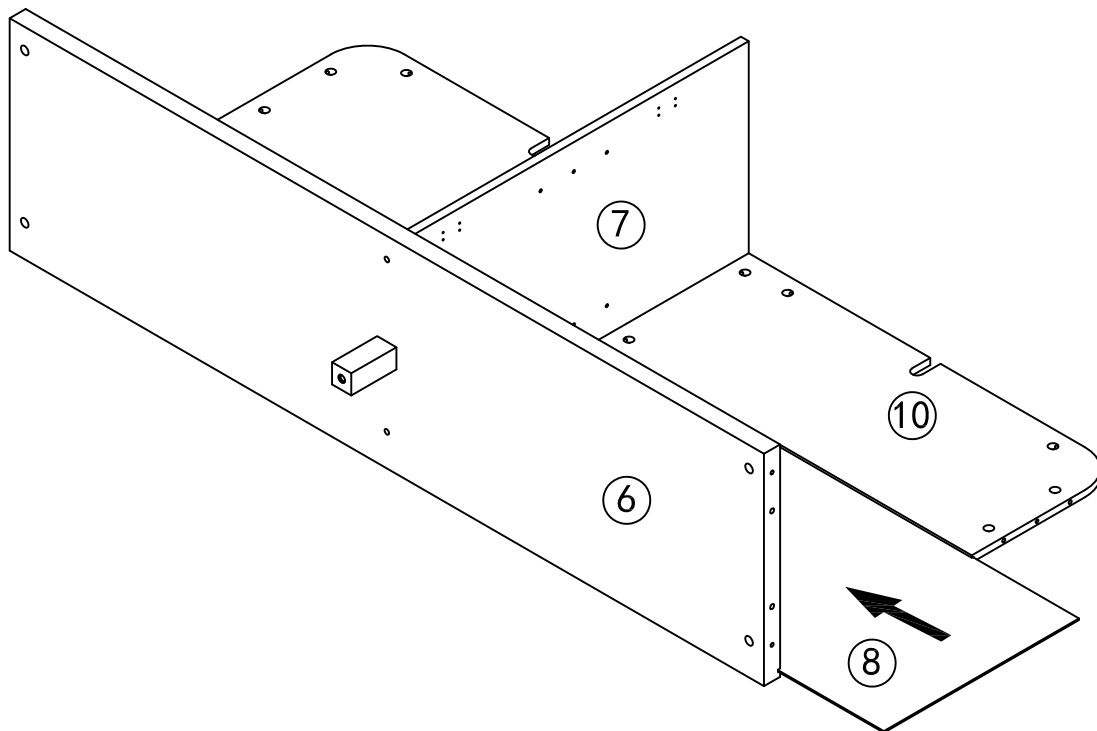


INSTALLATION STEPS

Step 7

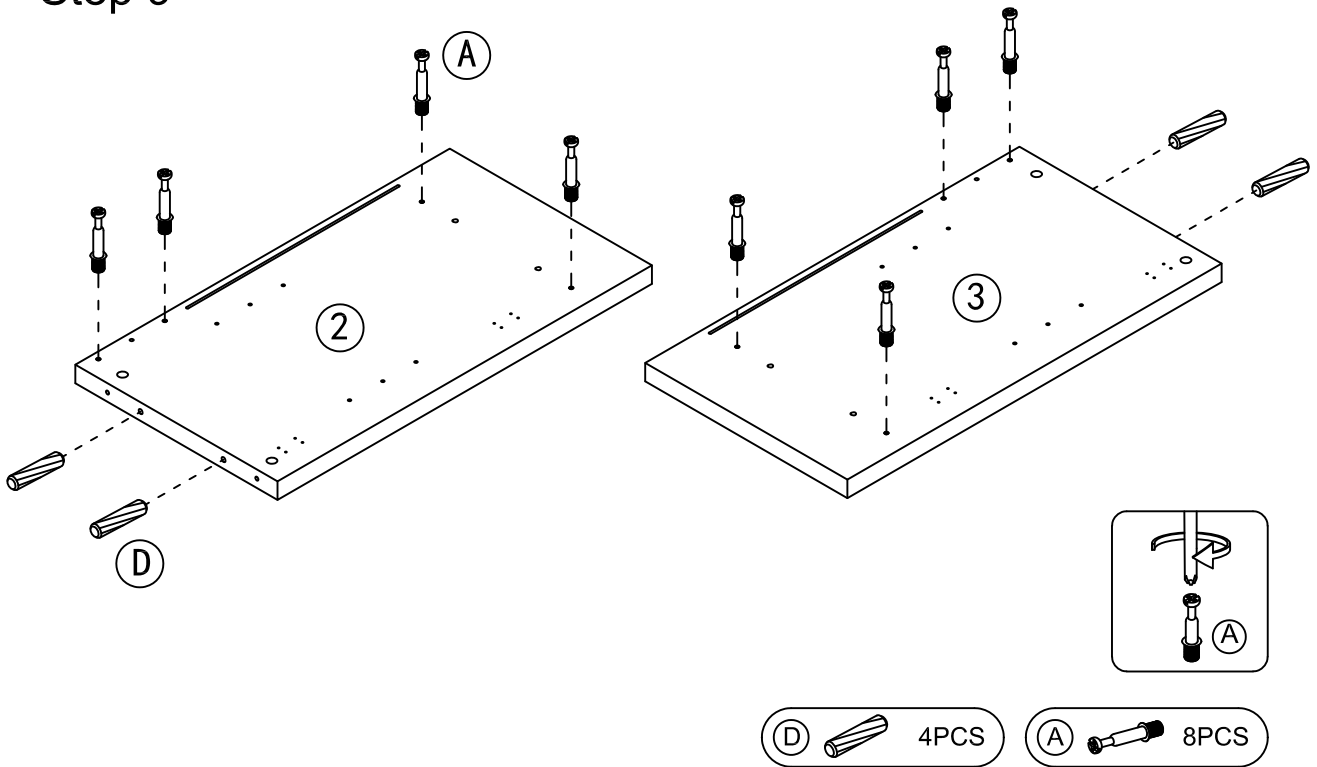


Step 8

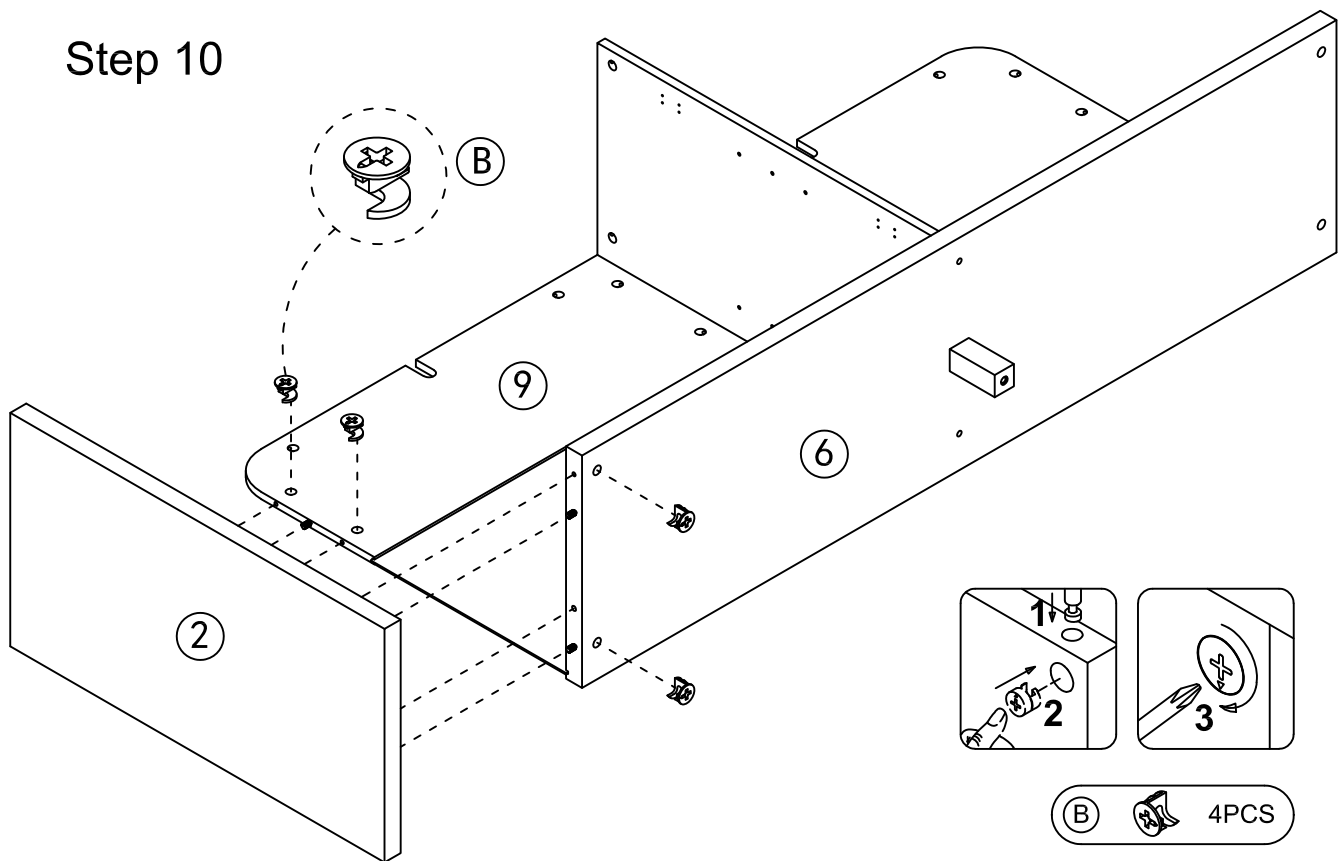


INSTALLATION STEPS

Step 9

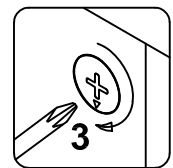
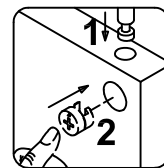
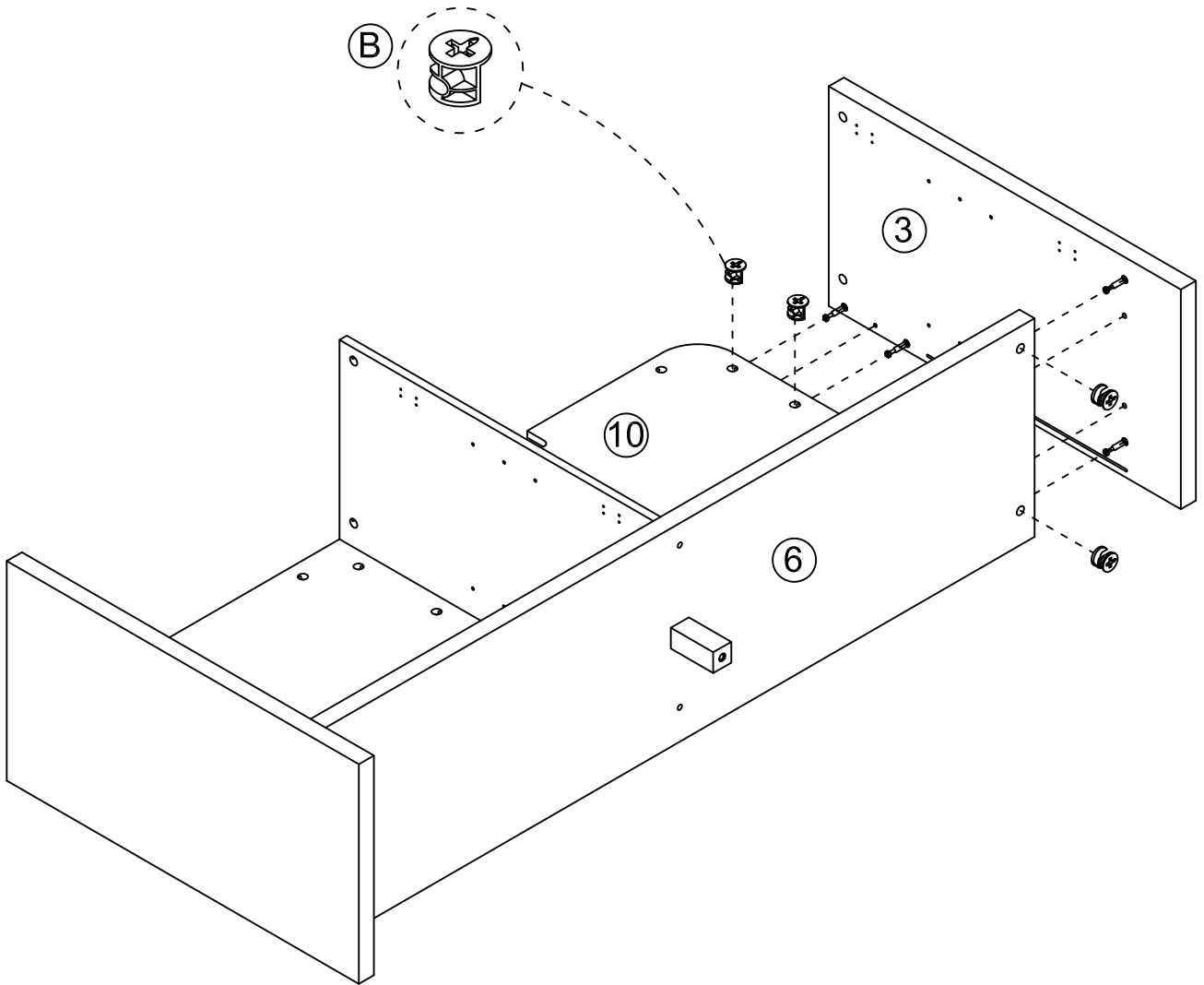


Step 10



INSTALLATION STEPS

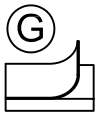
Step 11



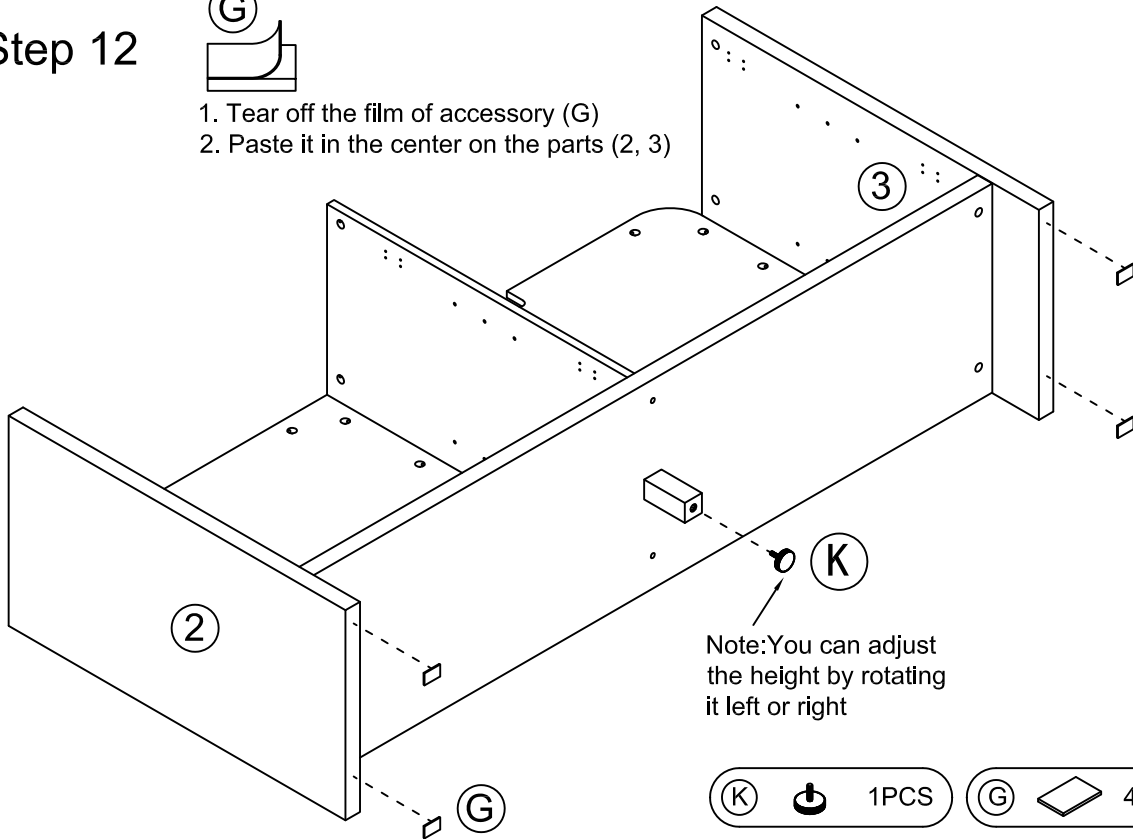
(B)  4PCS

INSTALLATION STEPS

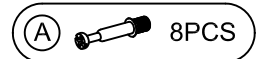
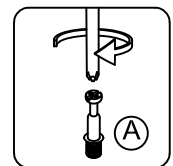
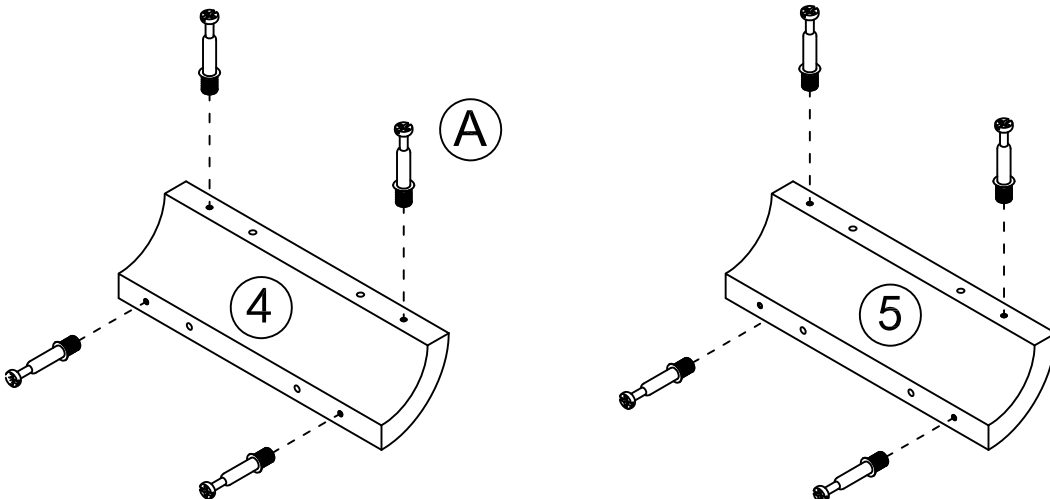
Step 12



1. Tear off the film of accessory (G)
2. Paste it in the center on the parts (2, 3)

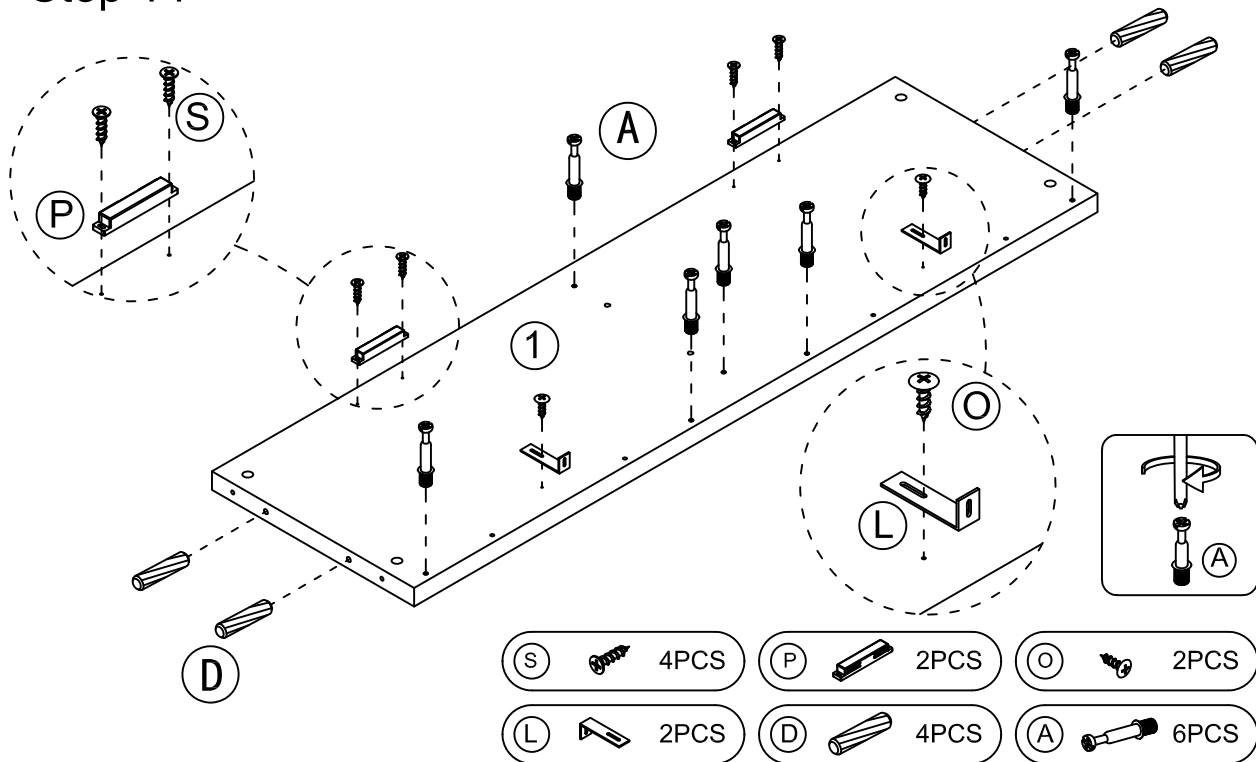


Step 13

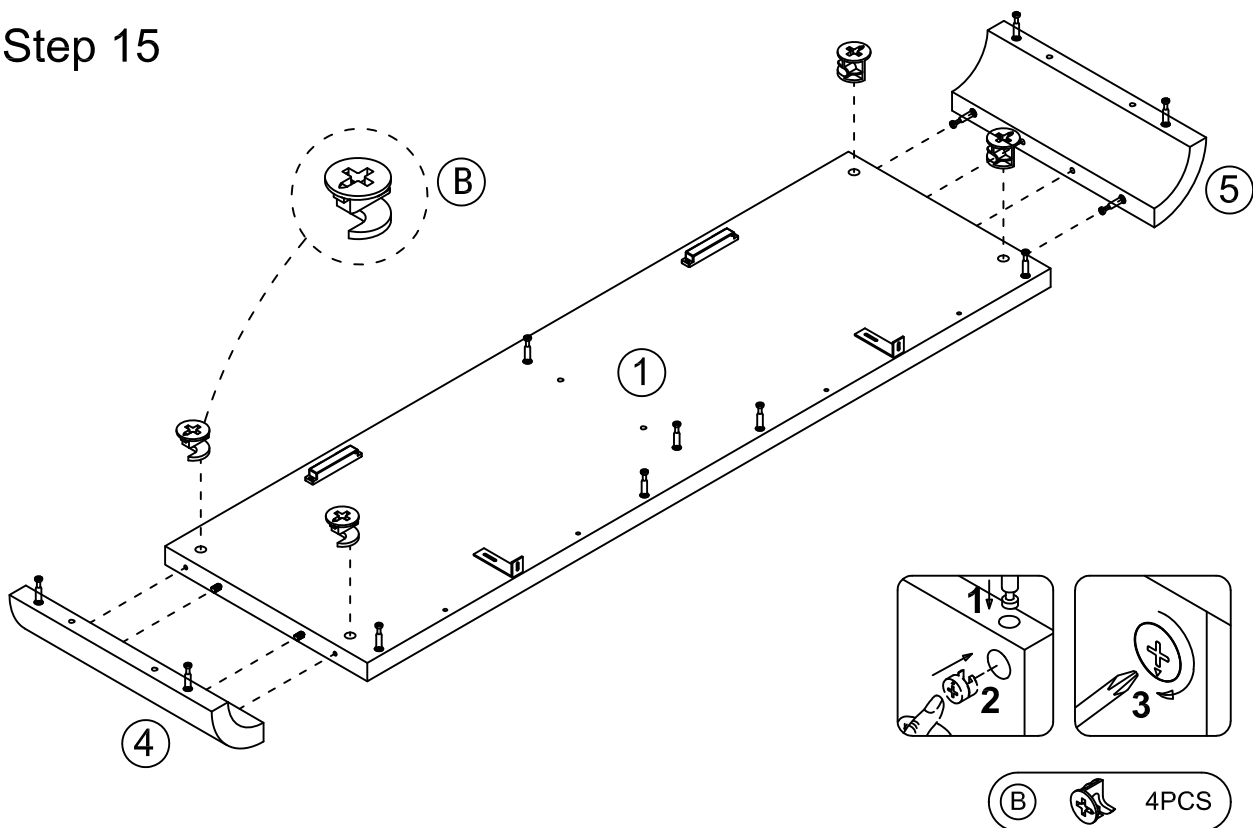


INSTALLATION STEPS

Step 14

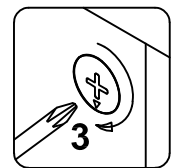
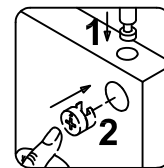
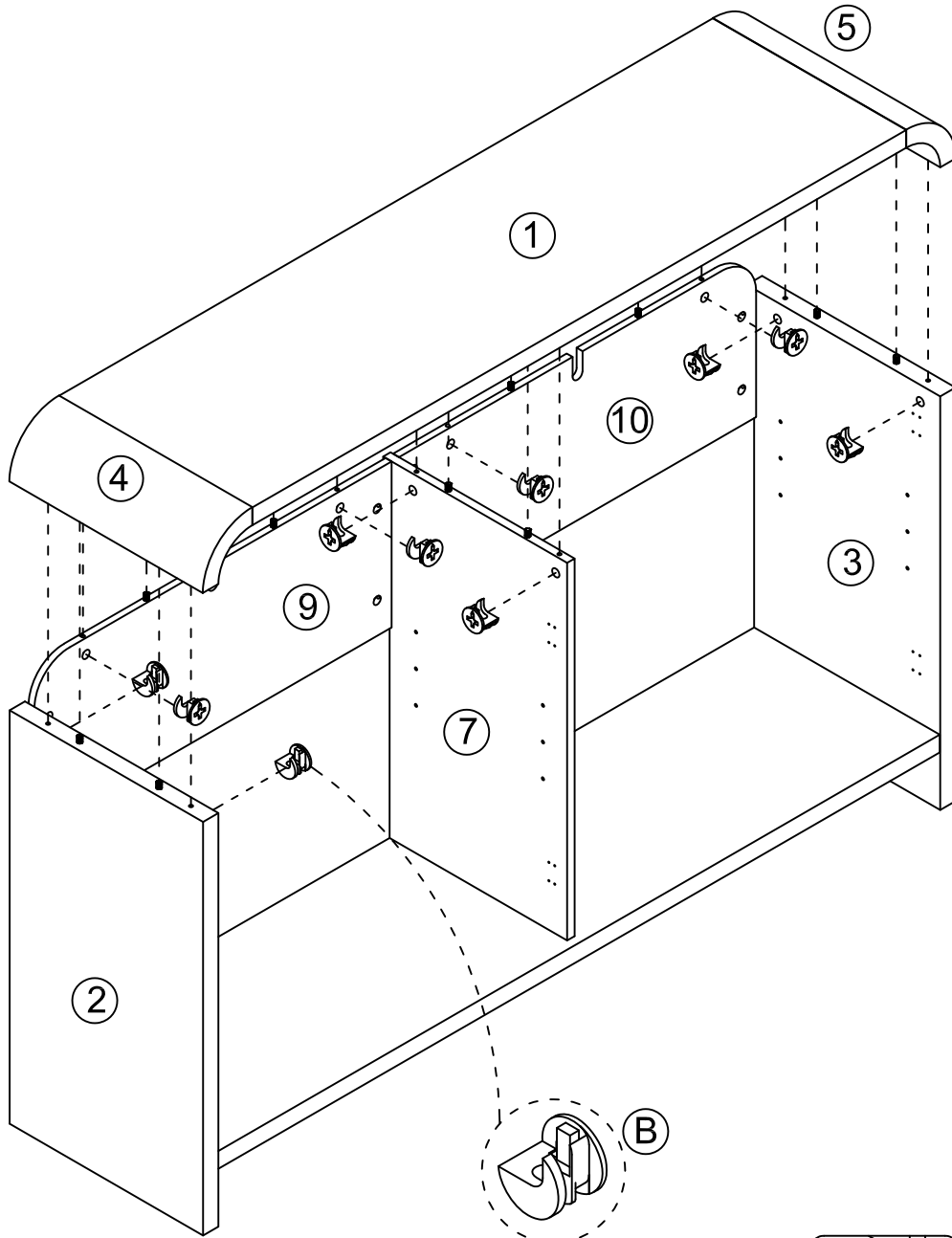


Step 15



INSTALLATION STEPS

Step 16

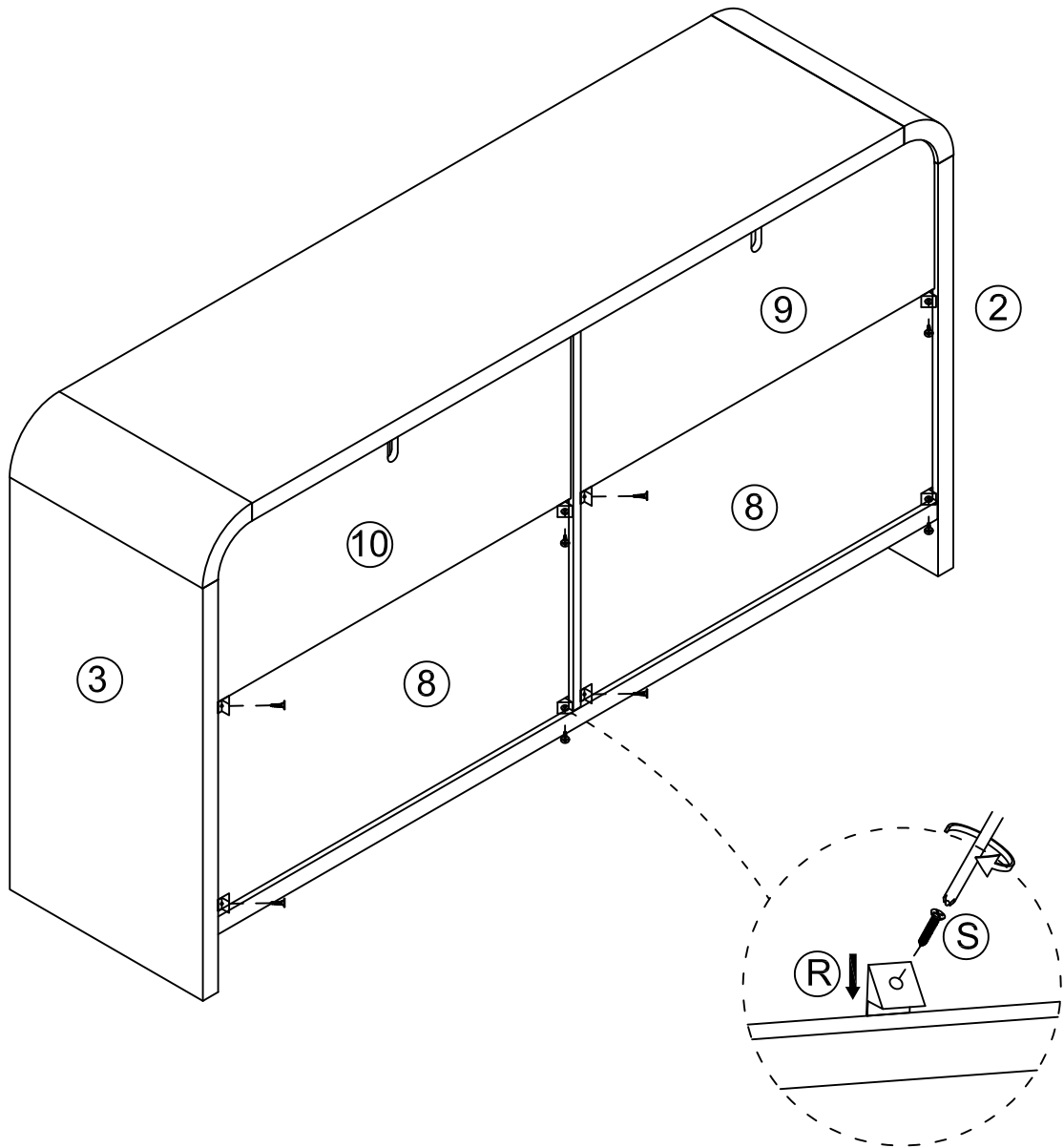


(AA) ○ 18PCS

(B) □ 10PCS

INSTALLATION STEPS

Step 17

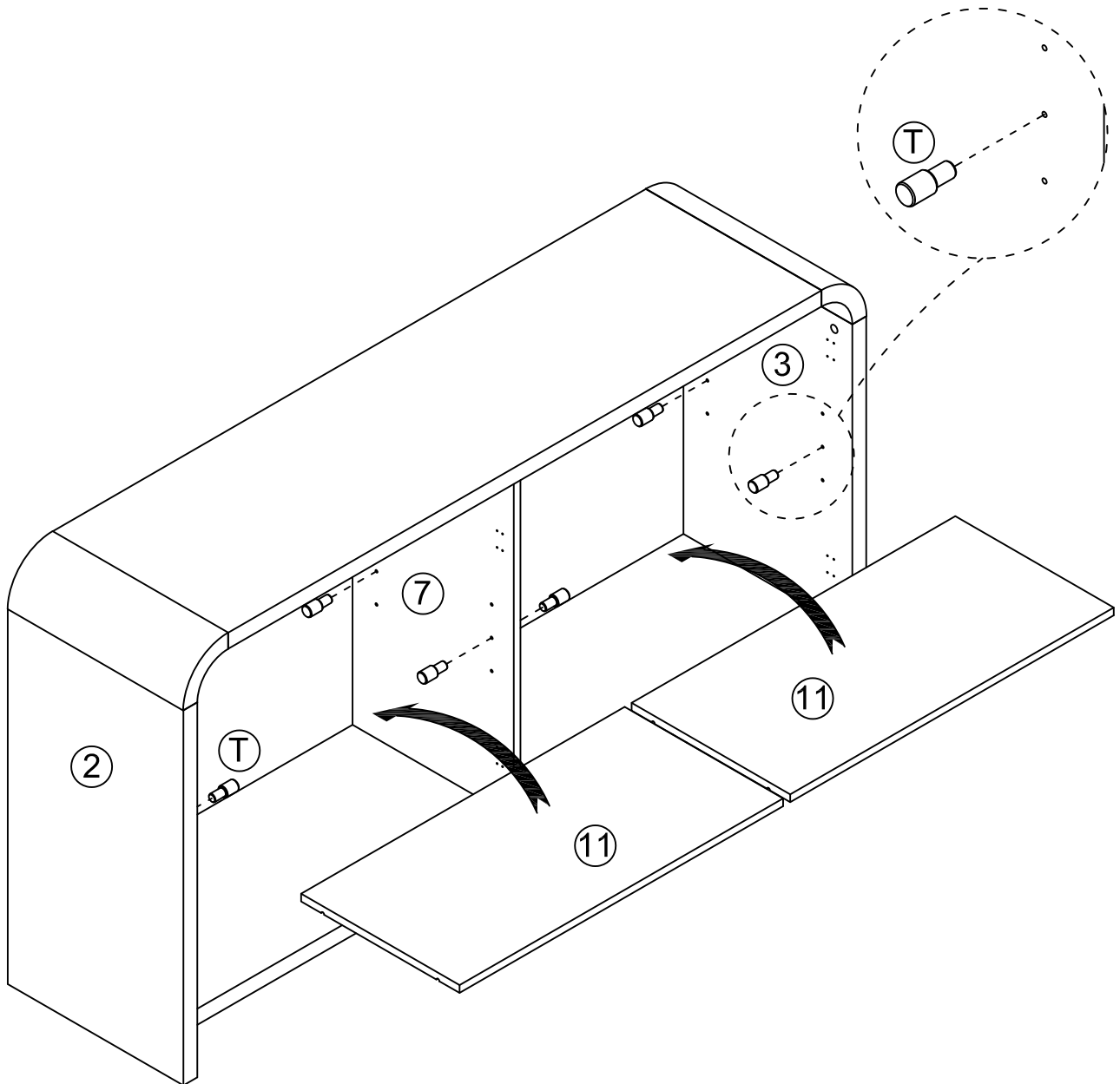


(S)  8PCS

(R)  8PCS

INSTALLATION STEPS

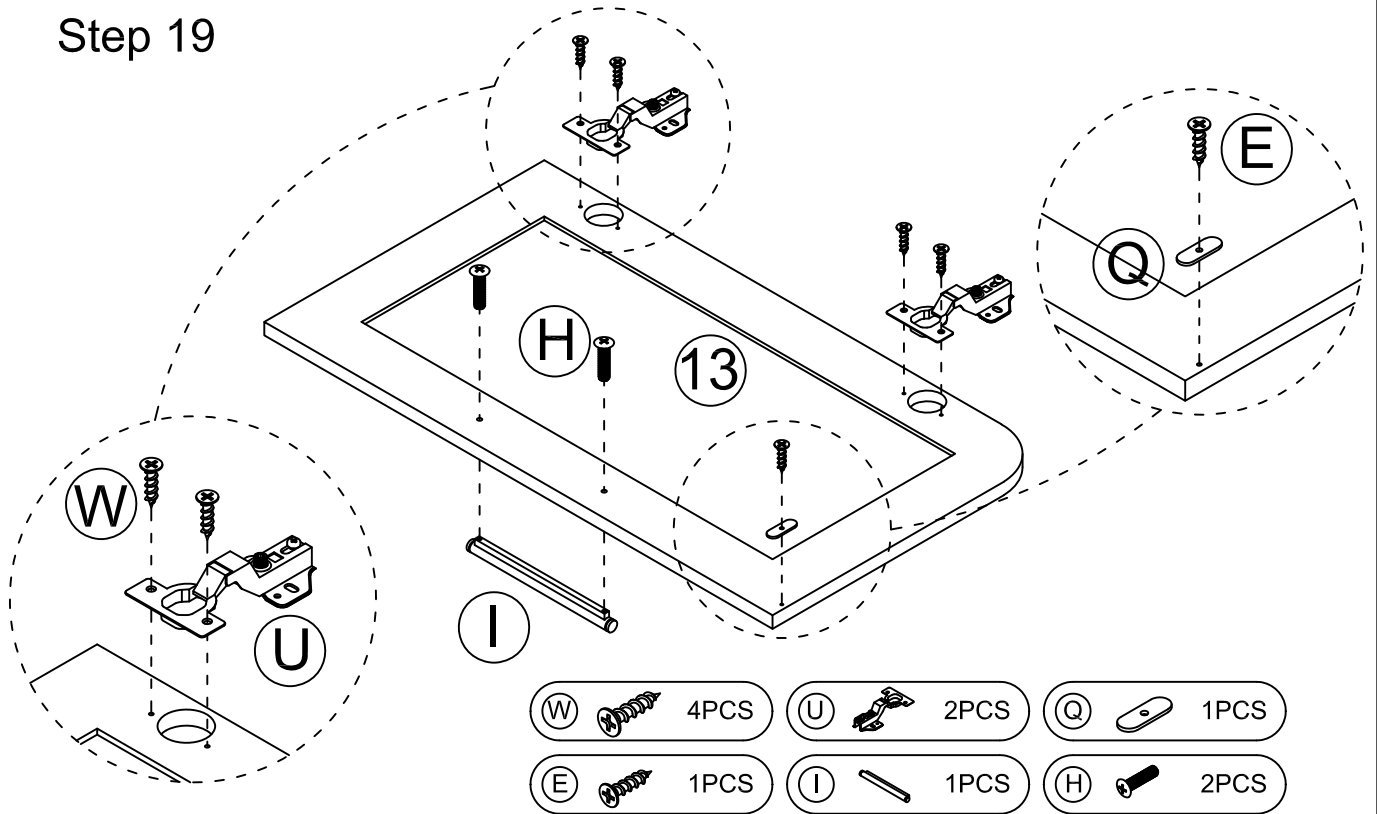
Step 18



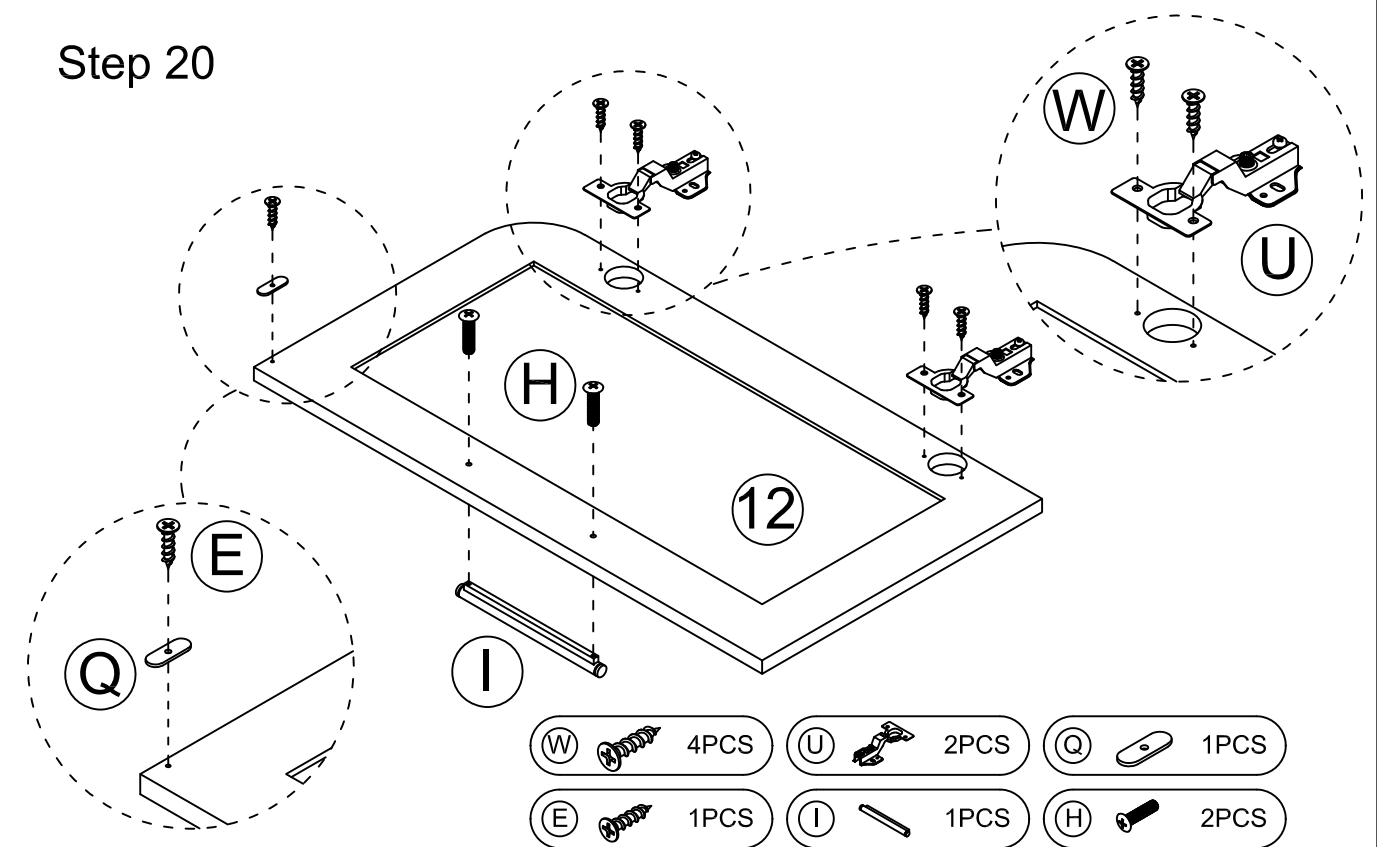
(T) 8PCS

INSTALLATION STEPS

Step 19

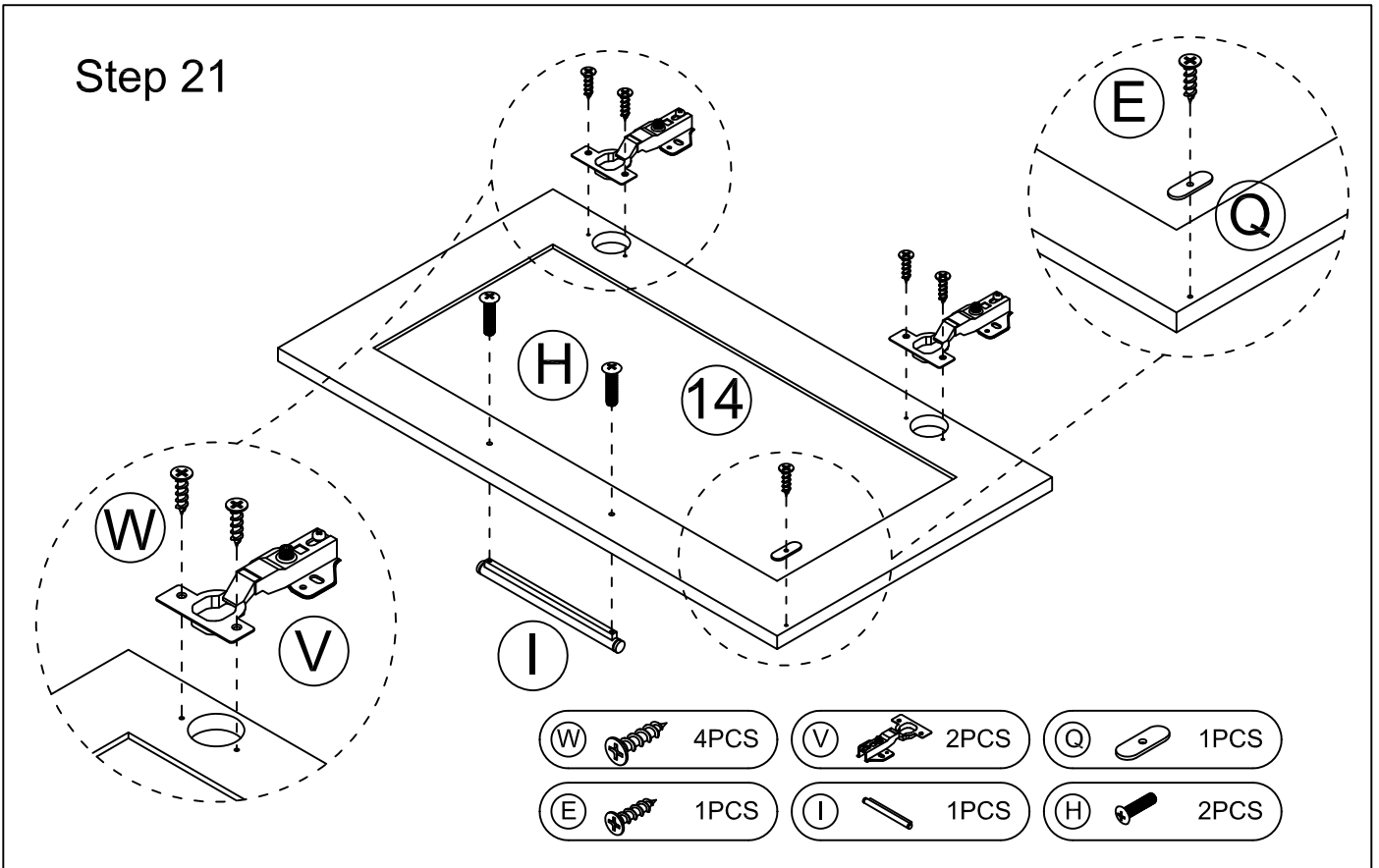


Step 20

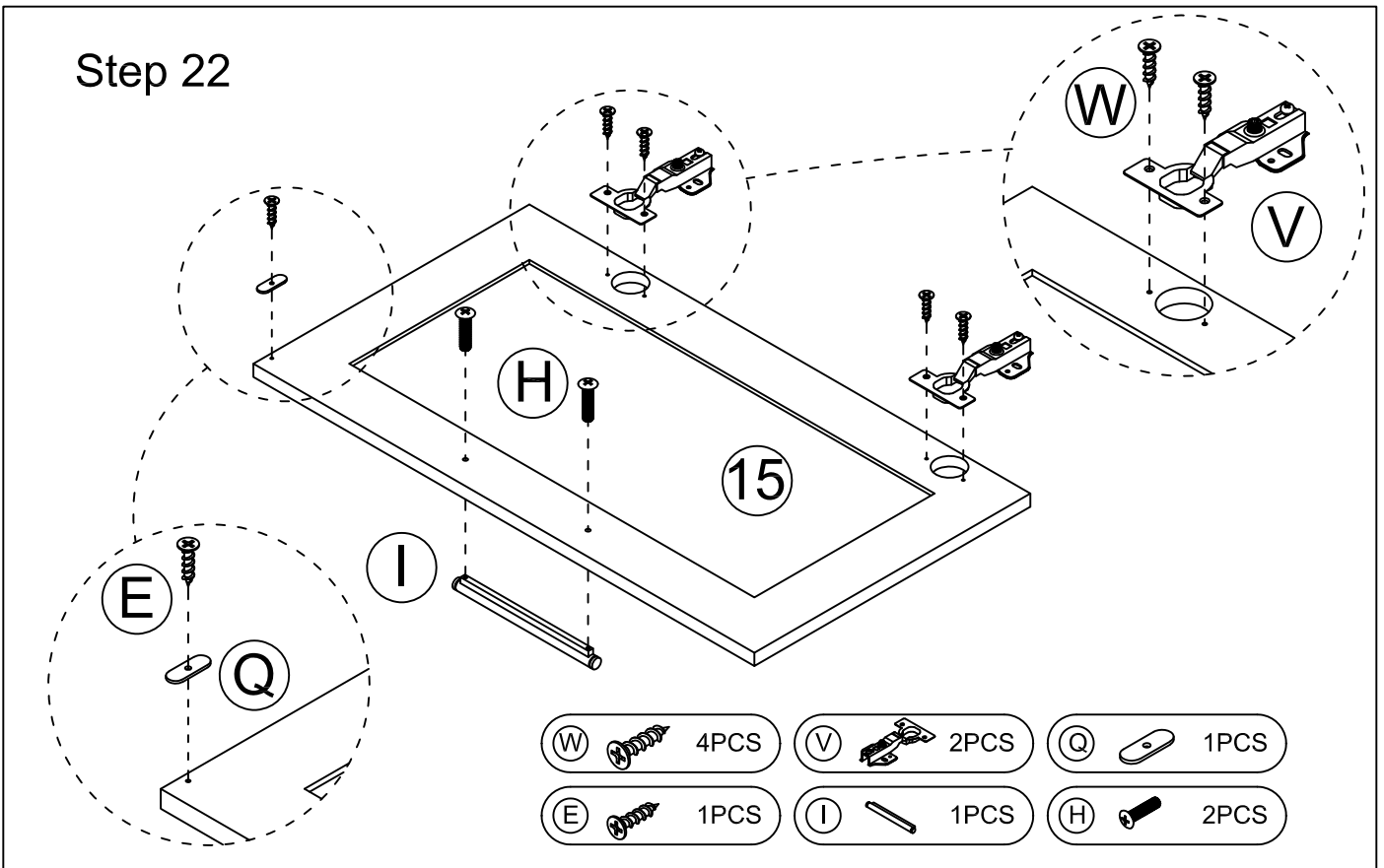


INSTALLATION STEPS

Step 21

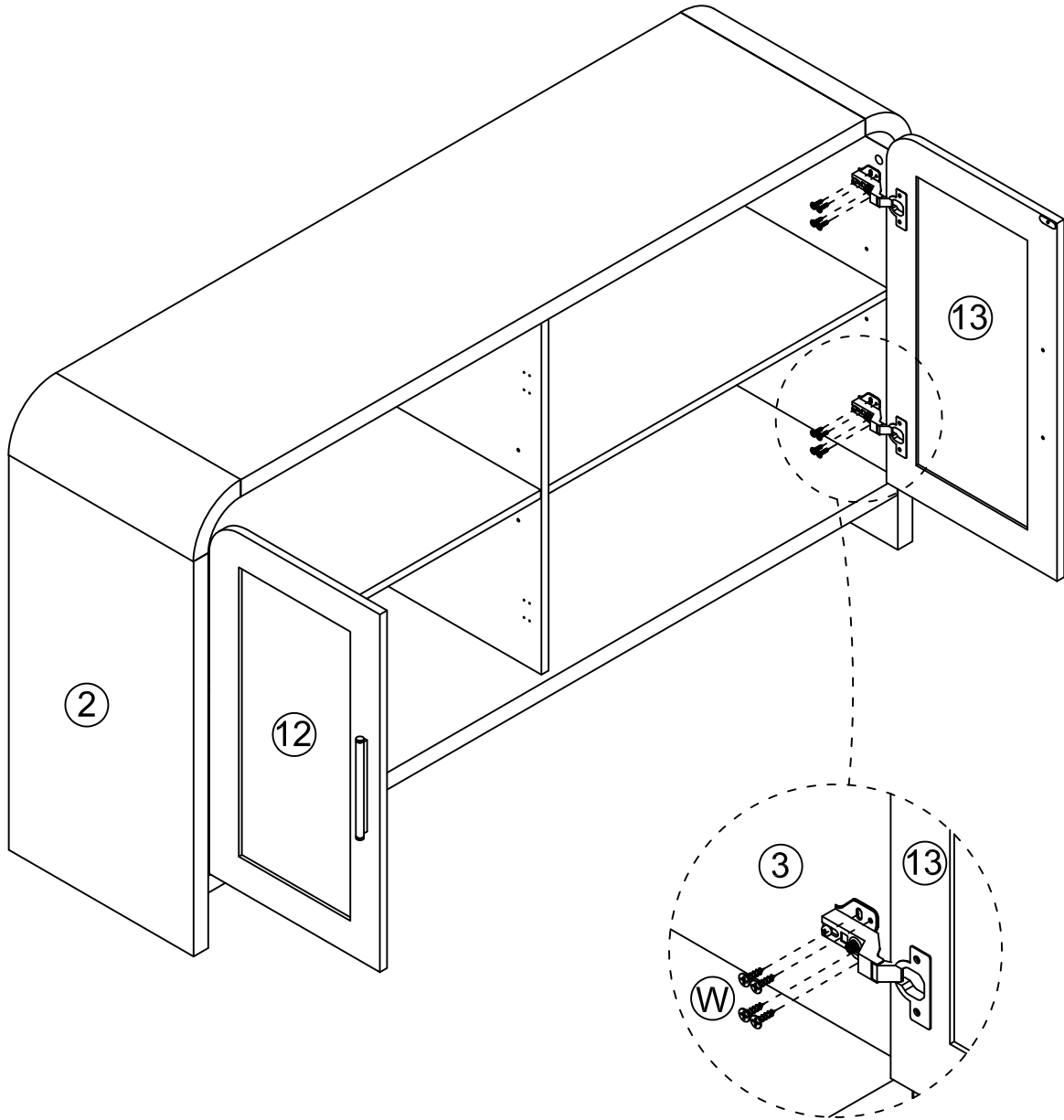



Step 22



INSTALLATION STEPS

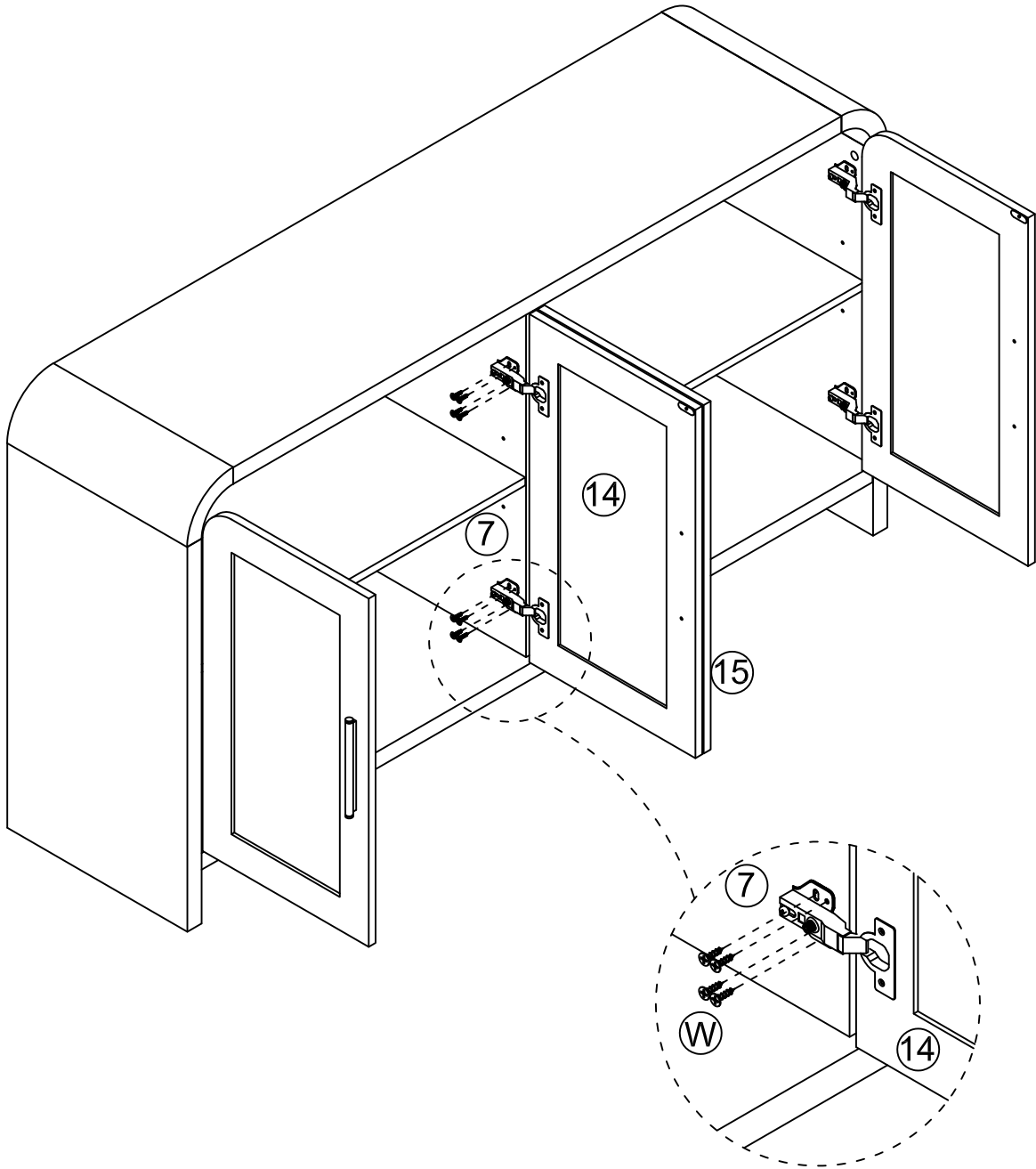
Step 23




(W)  16PCS

INSTALLATION STEPS

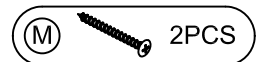
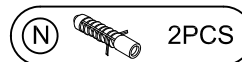
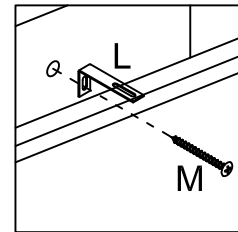
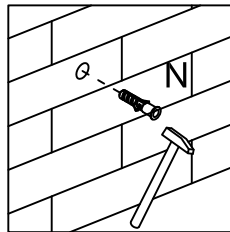
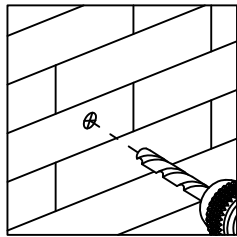
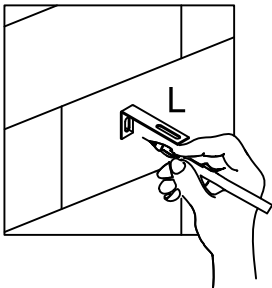
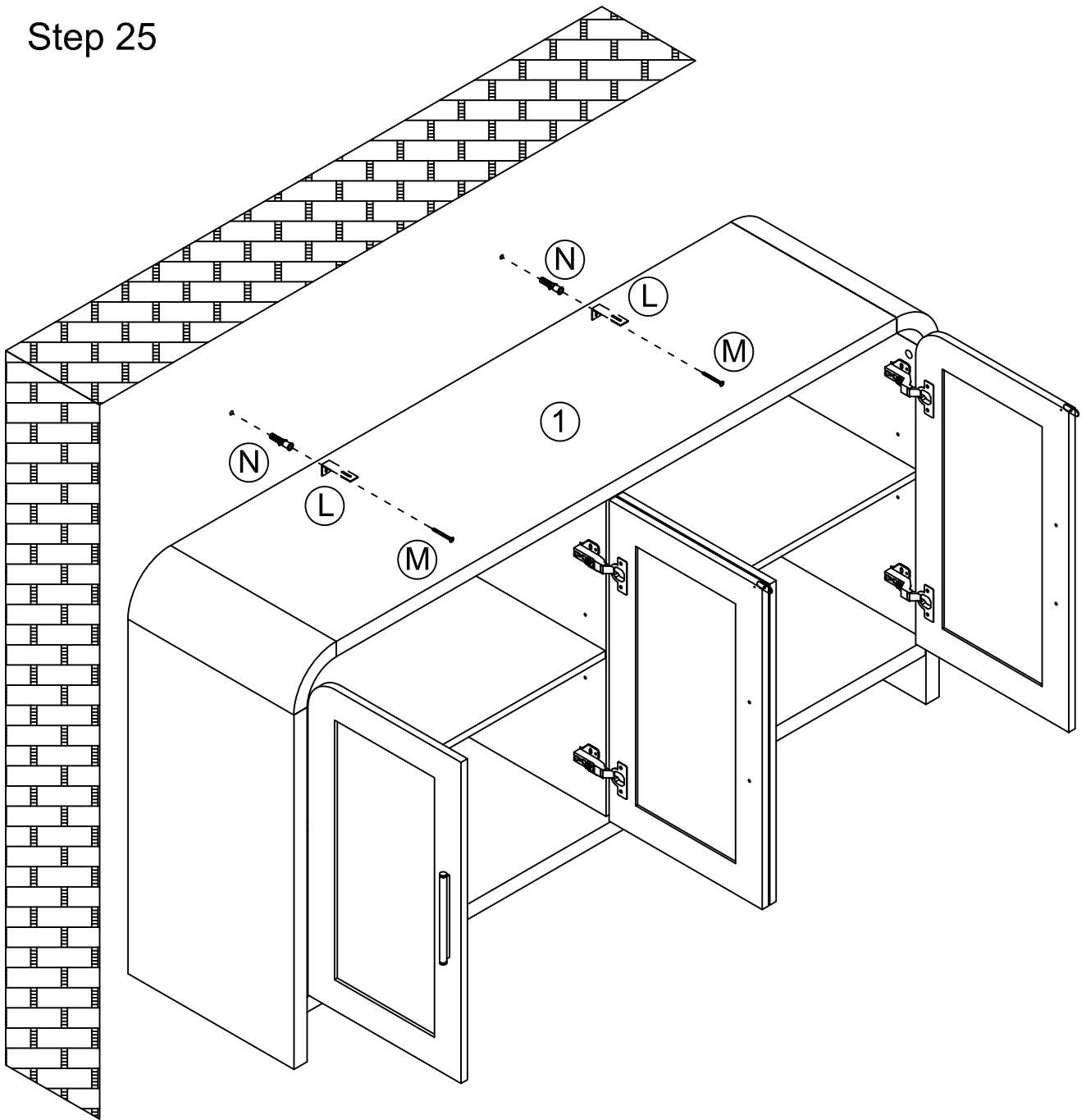
Step 24



(W)  16PCS

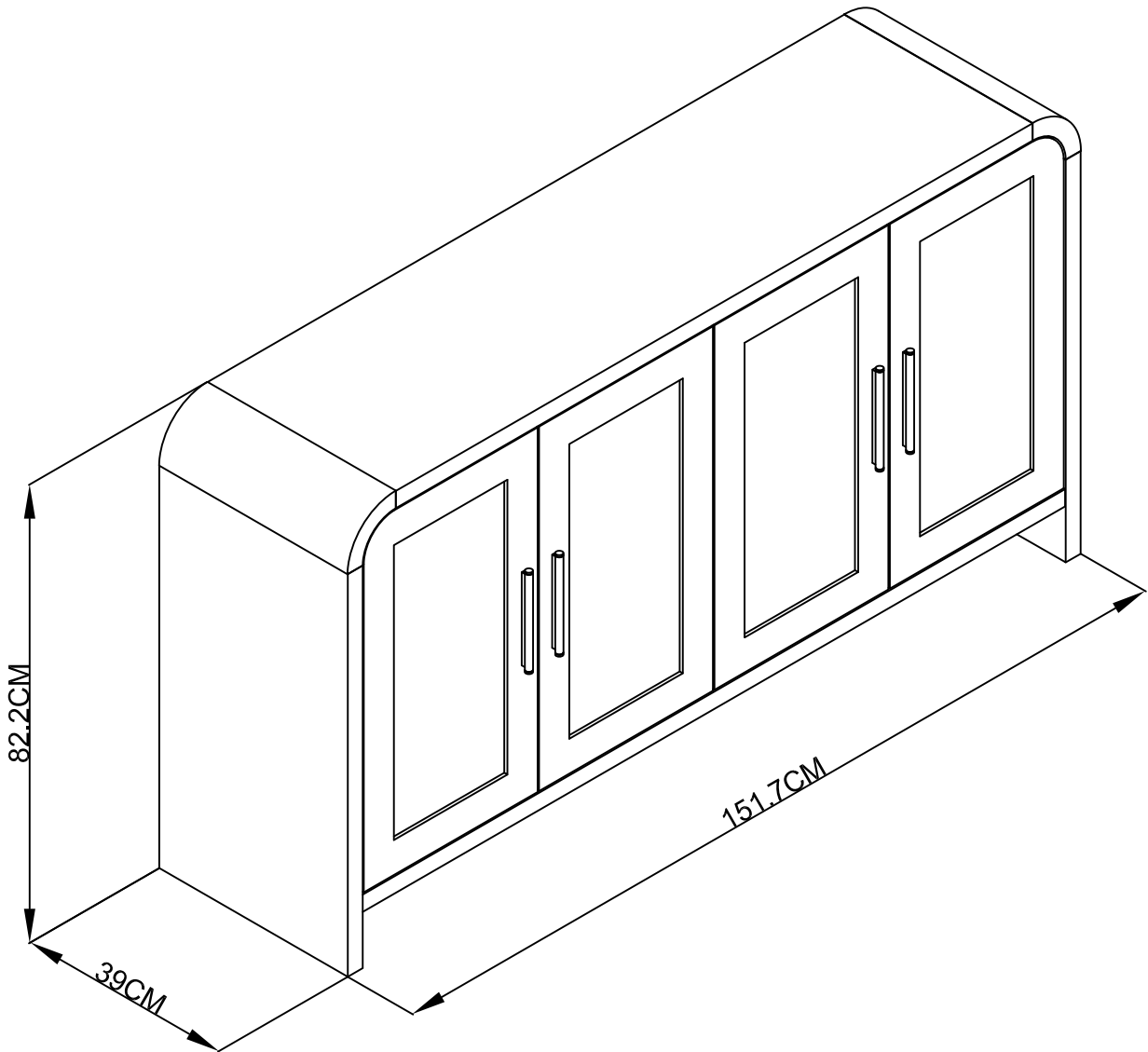
INSTALLATION STEPS

Step 25



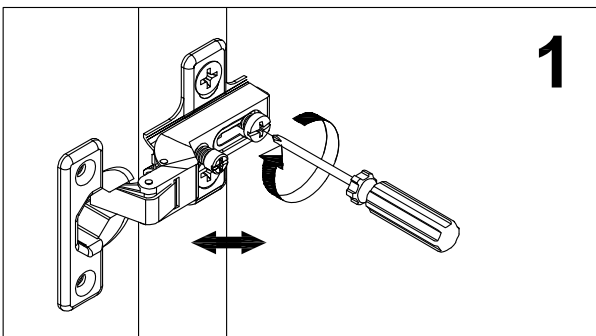
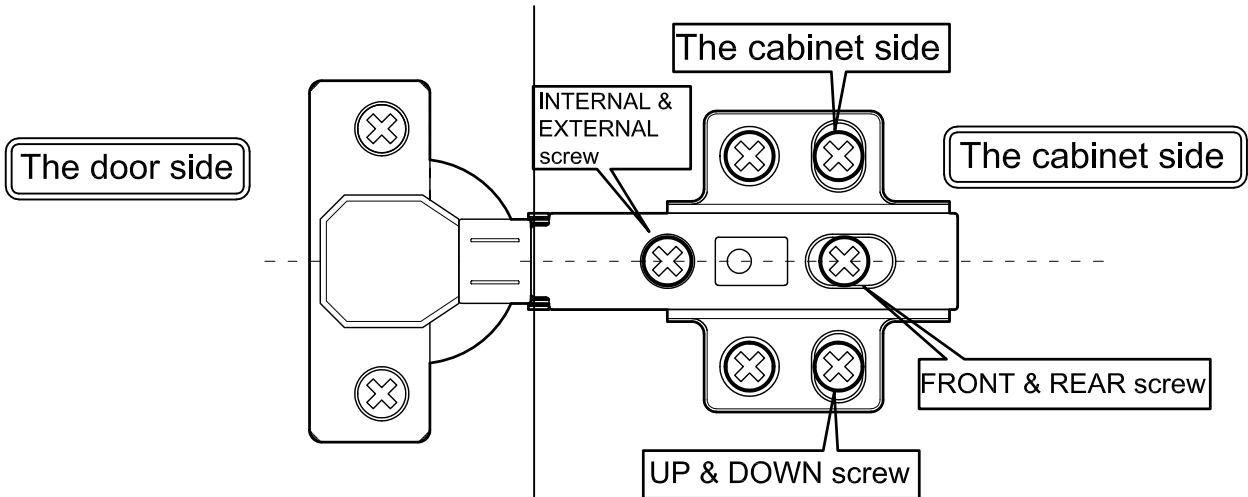
INSTALLATION STEPS

Step 26



INSTALLATION STEPS

Components Name



Doors may need to be adjusted after the initial shipping of the cabinet. The cabinet doors have a three-way adjustment feature. Height, side to side, level and depth can be adjusted. With the hinge slightly closed you can access the middle screw for up / down adjustment. With the hinge fully extended you can access the front and back screws. These screws will move the door side to side and in and out.

