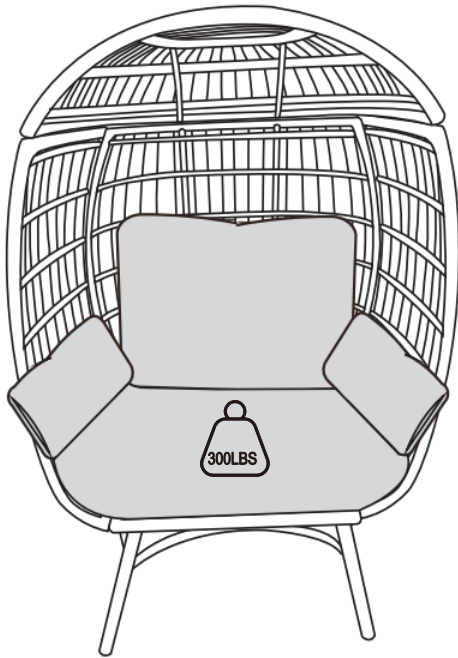


Thank your for your purchase!



Oversized Indoor /Outdoor Wicker Swivel Egg Lounge Chair with Cushions

ASSEMBLY INSTRUCTIONS

Before You Begin:

Please identify all component parts and hardware pieces required before you begin. Carefully remove all of the components from the packaging and set aside for assembly. Assemble on a soft surface to prevent scratching during assembly.

Caution:

Tighten all components securely before use. Failure to do so may result in personal injury. DO NOT use any sharp objects to open plastic wrapped components as damage to product or components may result.

Warning:

CHOKING HAZARD –Small Parts. Adult Assembly Required.

DO NOT ALLOW CHILDREN TO CLIMB ON FURNITURE

Serious or fatal injuries can occur from furniture tipping over. You must install Tipping Restraint Hardware (where included) to help prevent the unit from tipping and causing accidental injury, instability, death or damage. The tipping restraint is intended only as a safety measure, it is not a substitute for proper adult supervision. To help prevent furniture from tipping over it must be permanently attached to the wall. Anti-Tip Safety Wall Straps suitable for the unit weight and wall materials (if not included) should be purchased and installed.

:



Congratulations!

You just purchased a piece of happiness. We believe you can transform your spaces into the most inspired places with furnishings that are the perfect combination of form, function and style. As original innovators of online furniture retail, we offer the best selection of popular, contemporary styles at cool, comfortable prices. And, with decades of proven shipping and packaging expertise, our Extended Quality Checklist ensures a rewarding, hassle-free experience time and time again. It's just what you need to bring your vision to life.

Thank you & Enjoy!!

your friends at Ubique Group



LIKE IT!

*Share it on social
& Tell a friend!
#Spaces2Places*



LOVE IT!

*Write an online
product review
where purchased*



NOT SURE?

*Let us help!
Contact our
customer support.*



We pride ourselves on providing an excellent customer experience starting right here with your package and instructions. Everything you need should be right where you need it, so you can get to enjoying your new item ASAP. But despite our best efforts, sometimes "slips happen." If you need any support, from replacement parts to recommendations, please reach out to our wonderful customer support team

EVERY UBIQUE GROUP PRODUCT



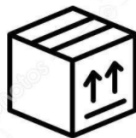
Quality &
Durability Tested



Packaged
with Care



Shipped from
our U.S. Facility



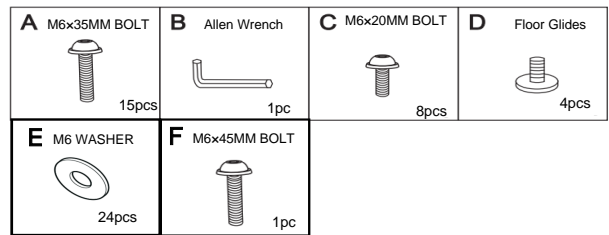
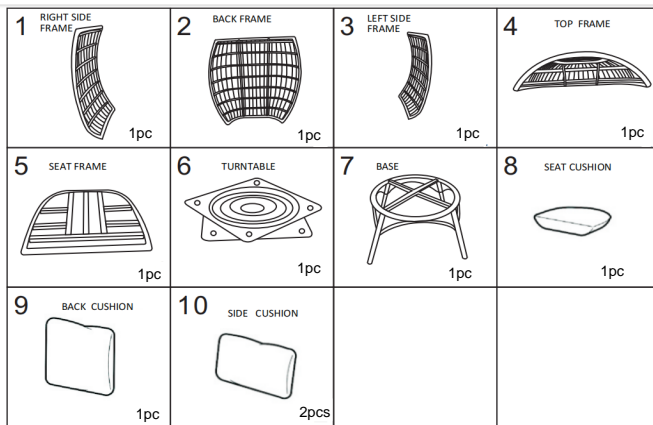
Designed
for Easy
Assembly



Ethically
Sourced

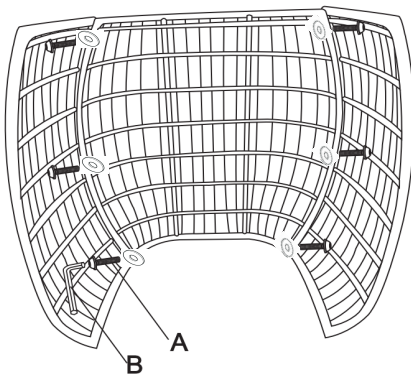
Read this manual before using this product. Failure to follow the instructions and safety precautions in this manual can result in serious injury or death. Keep this manual in a safe location for future reference.

PARTS



NOTE : Do not fully tighten bolts until assembly is completed.

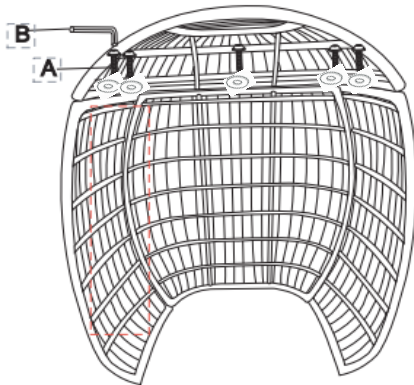
STEP 1



Step 1:

Line up the holes between the sides and rear basket sections and attach using (6) M6*35 Screws (Part A) with the washer (Part E) on the inside. Tighten using Allen Wrench (Part B).

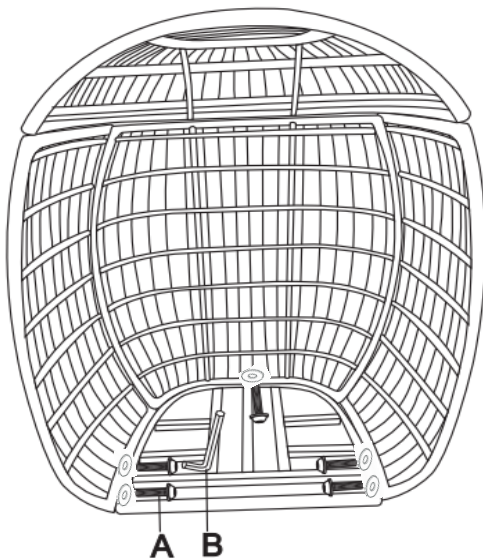
STEP 2



Step 2:

Line up the holes between the assembled piece and the top basket section then attach using (5) M6*35 Screws (Part A) with the washer (Part E) on the inside. Tighten using Allen Wrench (Part B).

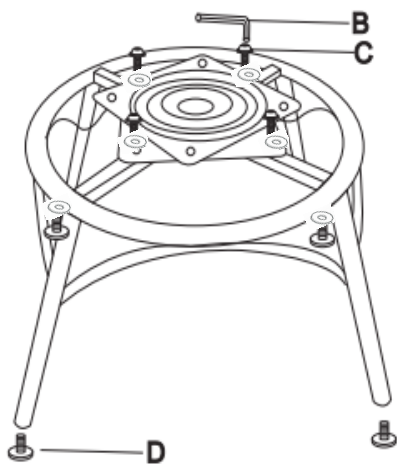
STEP 3



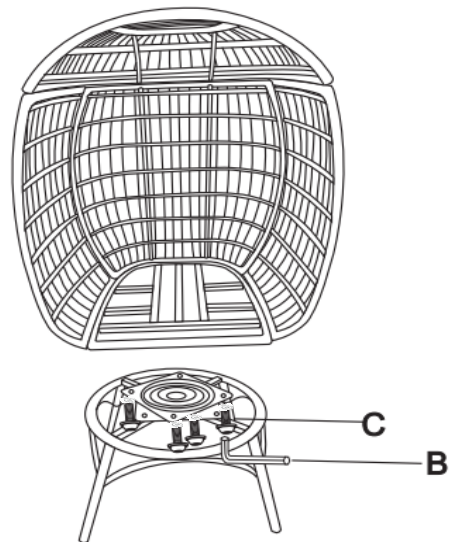
Step 3:

Attach the seat to the side frames 1 and 3 using (4) M6*35 Screws (Part A). Attach the seat to the back frame (Part 2) using (1) M6*45 Screw (Part F) with the washer (Part E) on the inside. Tighten using Allen Wrench (Part B).

STEP 4

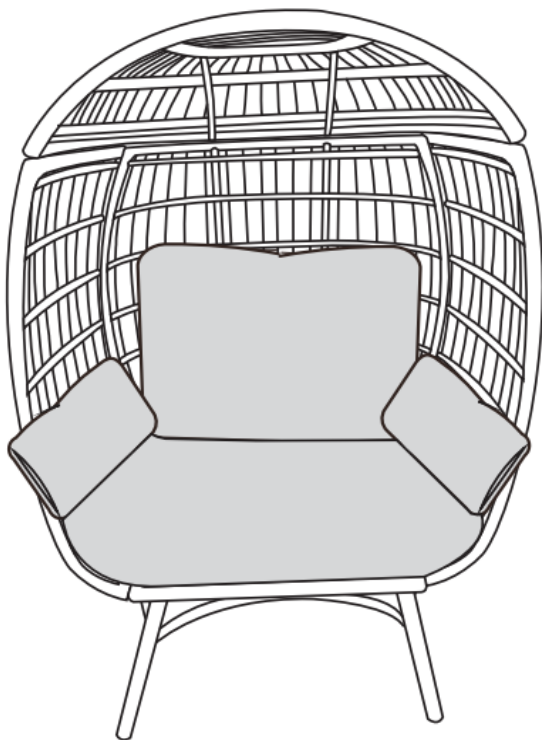


Align the turntable with the screw holes on the base and attach using (4)M6*20 Screws (Part C). Tighten using Allen Wrench (Part B). Insert the Floor Glides (Part D).



From the underside of the base, attach the rotating turntable plate to the basket using (4)M6*20Screws (Part C) with washer (Part E) on the inside. Tighten using Allen Wrench

STEP 5



Completely tighten all bolts.

Quality and Safety Guidelines

Please follow the static and dynamic weight capacity limits provided on this item. If you are unsure of the weight capacities for this product.

Please use this item on a stable, level surface only. All chair feet/legs should contact the flooring surface when in use. Do not use this item if any instability is detected.

Please take care to keep the chair stationary when lowering yourself into a seated position in this chair.

Please inspect this product regularly to make sure there are no damaged or worn parts. Also inspect to make sure all hardware is tightened correctly and securely .

If any parts are damaged or worn, please stop using the product. Repair this product with manufacturer supplied parts only.

This item is intended for sitting only, do not climb or stand on this item.

This chair is not intended for significantly reclined positions. To prevent accidental tipping, do not push backward or forward while seated.

The product was designed for seating one person at a time.

To avoid pinching and crushing, stay clear from all moving parts and segments. Store indoors away from moisture.