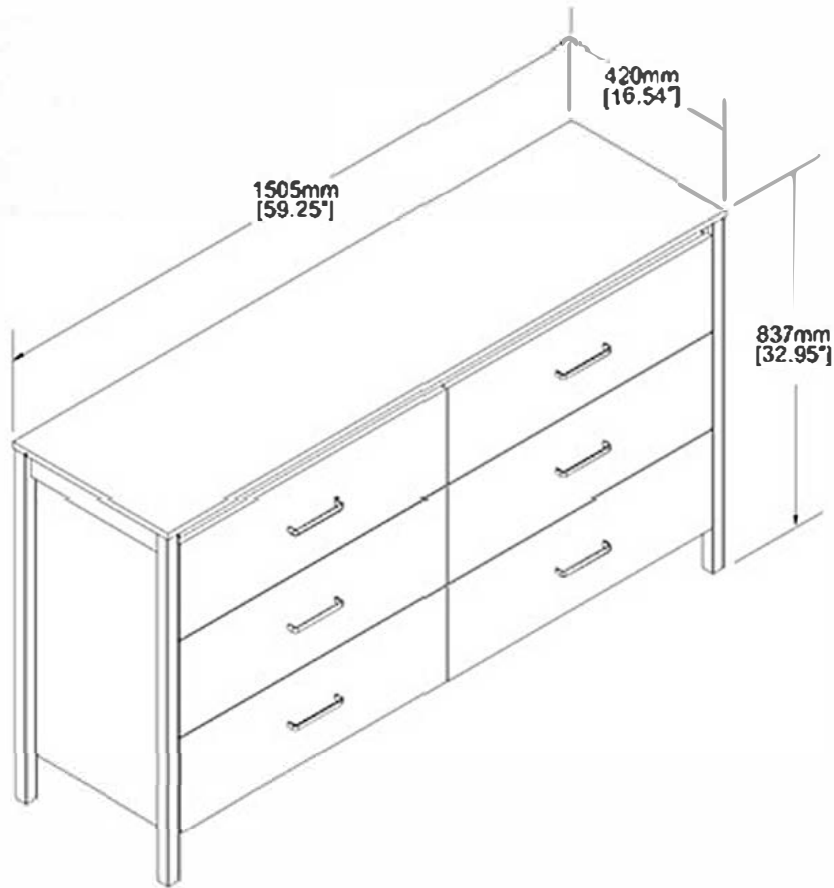


Model: _____
Lot No: _____
Date of Purchase: _____

Dresser Espresso



If you are missing any parts or have any questions regarding assembly, do not return this item to the retailers store. Please call our Customer Service number and have this assembly manual open to the parts list ready to provide the model name and part name or number

TOP TIPS BEFORE YOU START !

IMPORTANT- READ CAREFULLY- RETAIN FOR FUTURE REFERENCE

1. Please check that all parts & hardware are present before you start the assembly of your furniture.
2. For ease and speed of assembly, we recommend that before you commence each step of the assembly, Please identify all the parts required for that step.
3. We recommend that where possible, all items are assembled near to the area in which they will be placed in use, to Avoid moving the product unnecessarily once assembled.
4. For the protection of your furniture, particularly items of high gloss finish, we recommend that the product is placed on a Protected surface during assembly to prevent any damage.
6. During assembly please take care not to over-tighten any fittings, as this may damage the product.

CARE AND MAINTENANCE OF YOUR FURNITURE

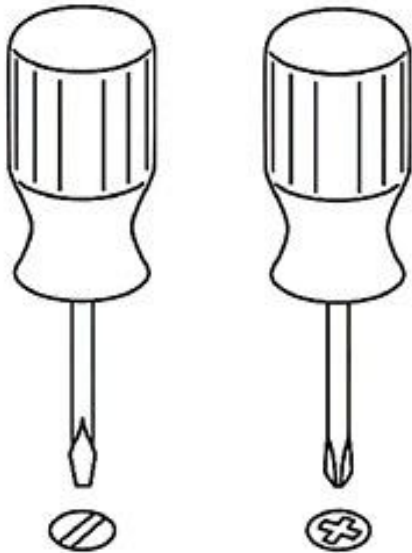
- Please periodically check all fittings and re-tighten as necessary.
- To clean your item, please use a damp cloth and wipe clean.
- Never allow any kind of liquid to remain on your furniture. Absorption can cause wood to warp or finishes to de-laminate.
- Please do not place hot items (e.g hot drinks) directly on the wood surface.
- Please do not drag or pull your furniture.

Guide To Assembly

Dresser Espresso

Tools Required For Assembly

Phillips Screw Driver



DO NOT USE POWER TOOLS TO ASSEMBLE THIS PRODUCT. USE OF POWER TOOLS WILL INVALIDATE ANY CLAIM AND MAY DAMAGE THIS PRODUCT MAKING IT UNSAFE.

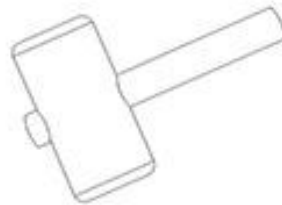


Approximately 45 min

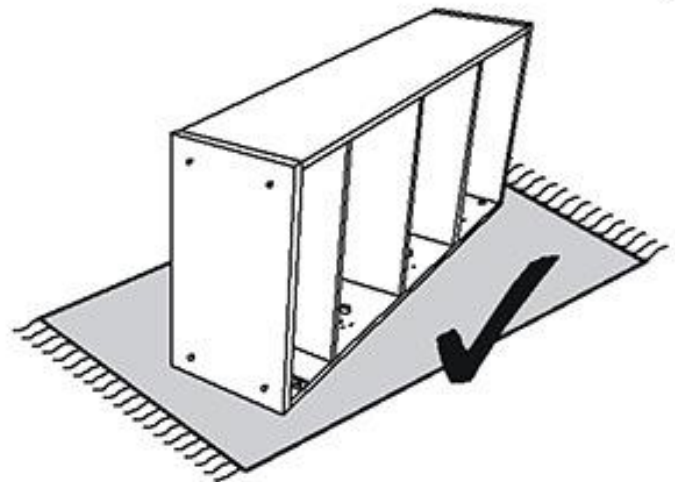
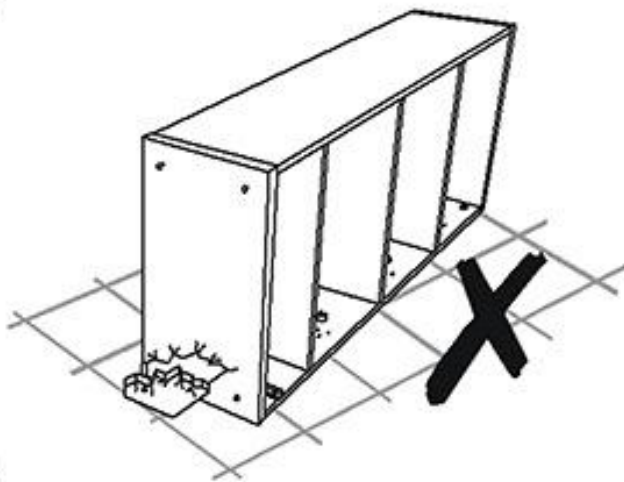
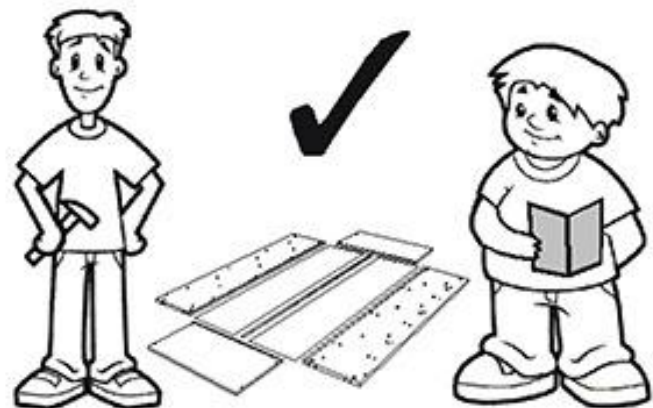
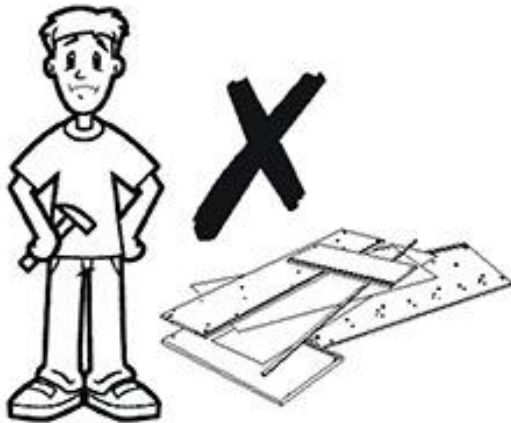


1 Person Required

Rubber Hammer



Measure



Part List & Fitting List

Dresser Espresso

Carton 1 of 1

No.	Part Name	Pcs
01	Side Panel	2
02	Post Panel	2
03	Post Panel	2
04	Left Panel	1
05	Center Panel	2
06	Front Panel	1
07	Center Support Panel	1
08	Right Panel	1
09	Back Panel	2
10	Top Panel	1
11	Back Panel (Drawer)	6
12	Left Panel (Drawer)	6
13	Right Panel (Drawer)	6
14	Bottom Panel (Drawer)	6
15	Left Front Panel (Drawer)	3
16	Right Front Panel (Drawer)	3
17	Back Support Panel	1
18	Bottom Panel	1

Assembly Instructions + Fitting List

Carton 1 of 1

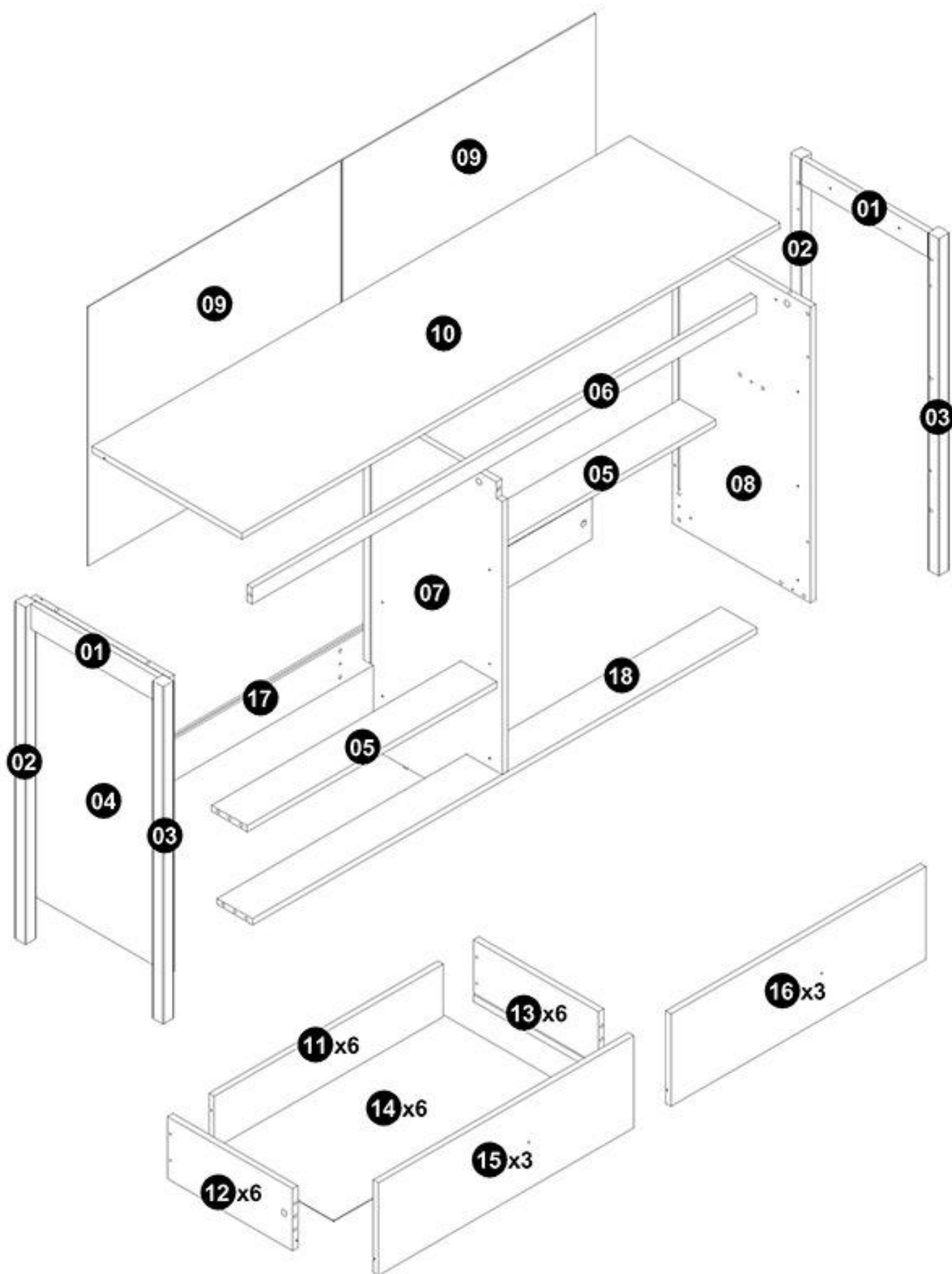
Fitting List

No.	Part Name		Pcs
A	Cam Stud (small)		26
B	Cam		26
C	M8 x 25mm Wood Dowel		59
D	45mm Chipboard Screw		2
E	38mm Chipboard Screw		32
F	25mm Chipboard Screw		4
G	22mm Chipboard Screw		6
H	14mm Chipboard Screw		57
J	14" Drawer Slide (SJ)		6 sets
K	PVC Back Support		6
L	HD7803-128 Handle		6
M	18mm Handle Screw		12

Caution

There are many small components used in the construction of this unit. These loose items should be kept away from young children whilst assembling your unit. As an extra precaution, screw cover caps should be permanently fixed in position. (Where applicable)

Please keep this assembly instruction for future reference

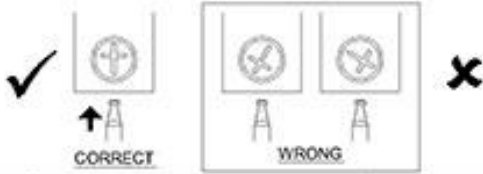


Guide To Assembly

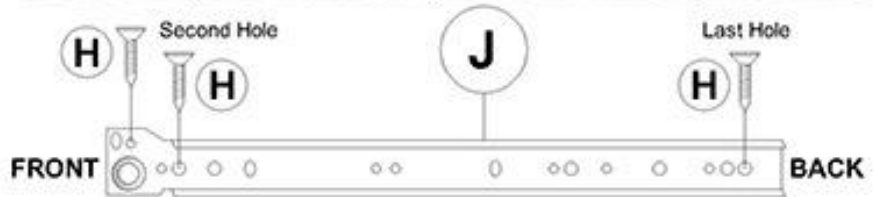
Dresser Espresso

WHEN FITTING CAMS





ENSURE STARTING POSITION IS CORRECT
BEFORE YOU INSERT CONNECTING BOLT
TURN CLOCKWISE UNTIL SECURE




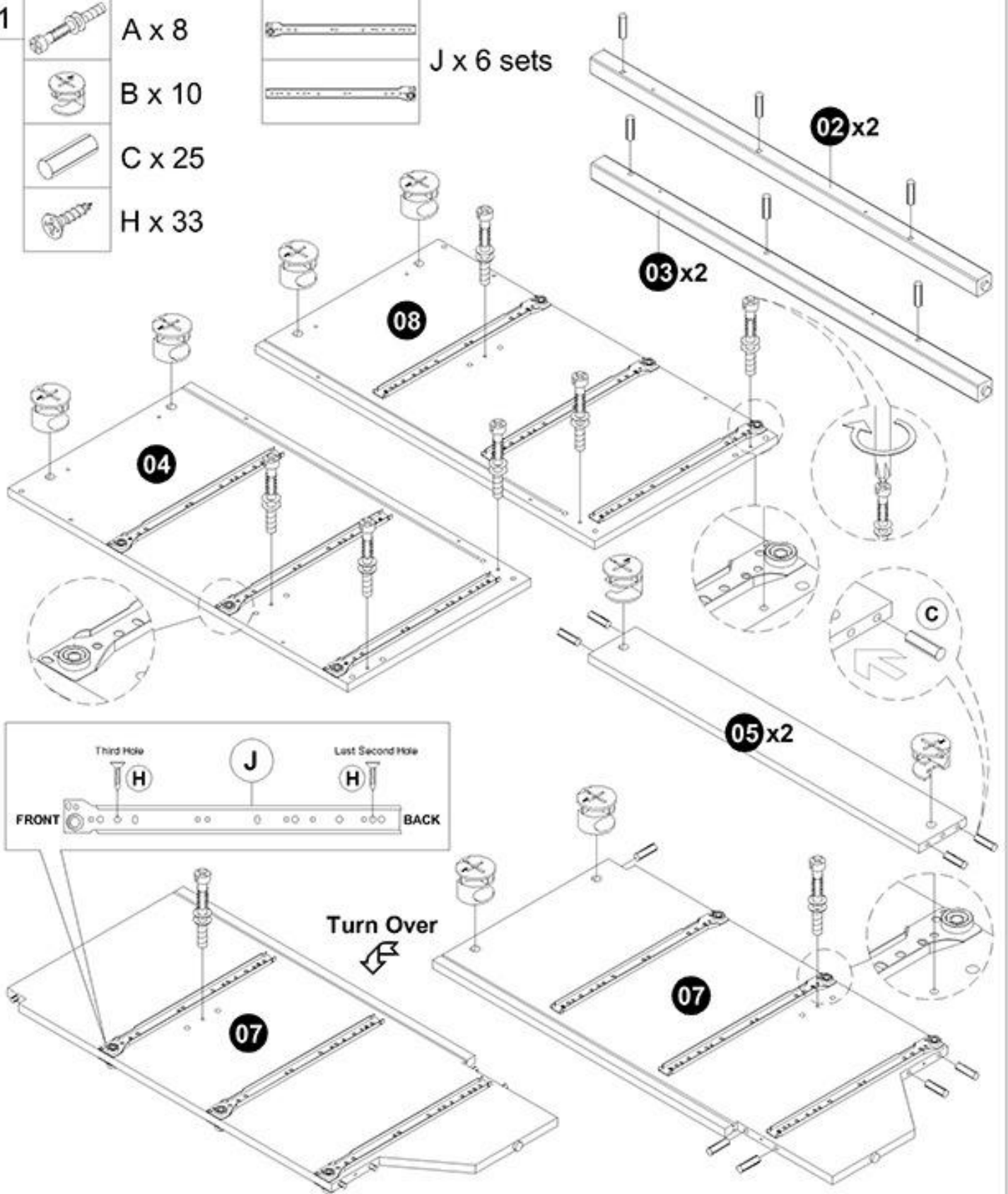
To Assembly the Drawer Slide, Please Follow Step as Below



1

-  A x 8
-  B x 10
-  C x 25
-  H x 33

-  J x 6 sets



Guide To Assembly

Dresser Espresso

2



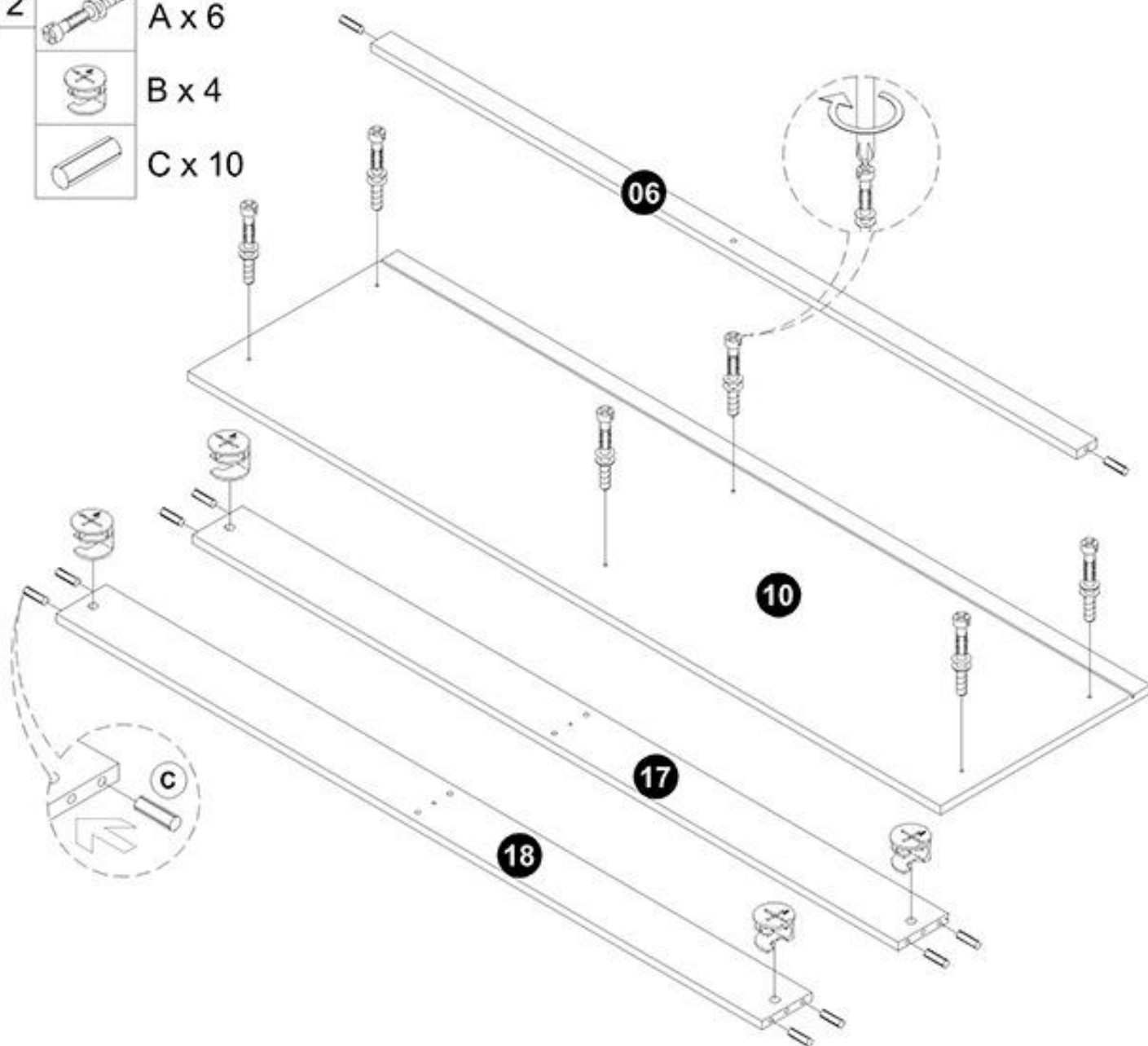
A x 6



B x 4



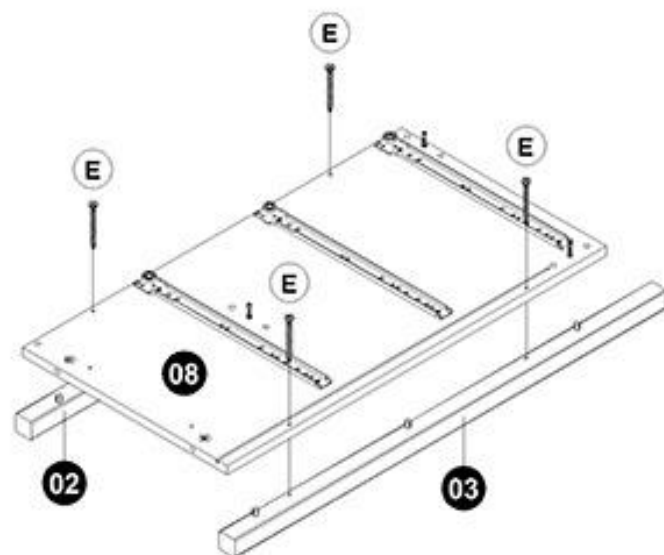
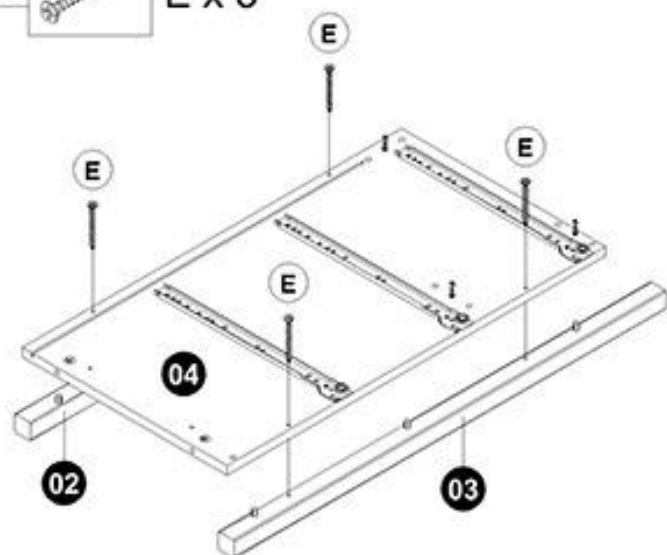
C x 10



3



E x 8



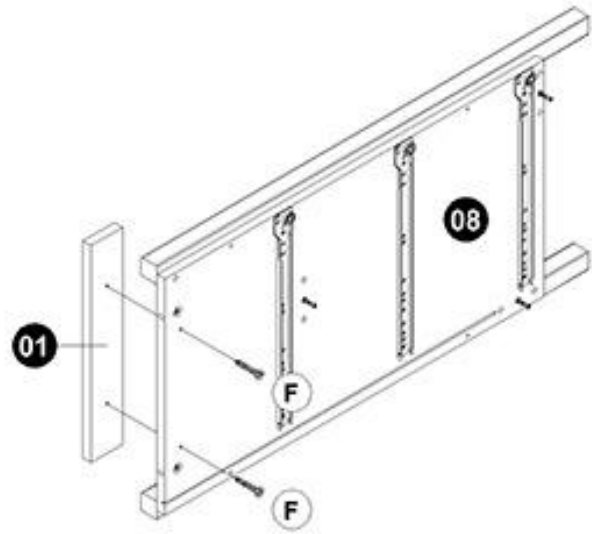
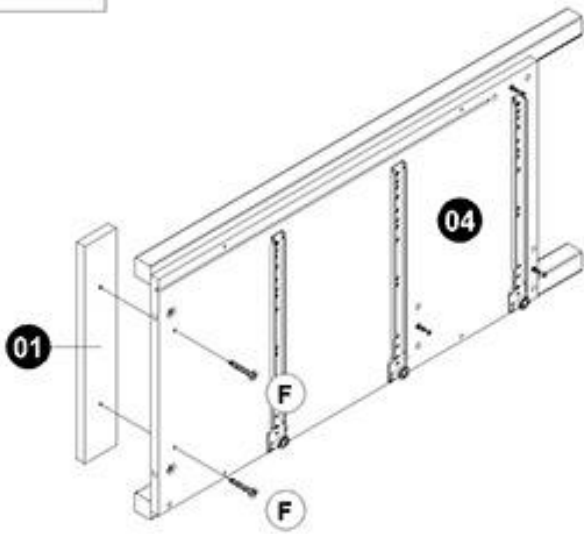
Guide To Assembly

Dresser Espresso

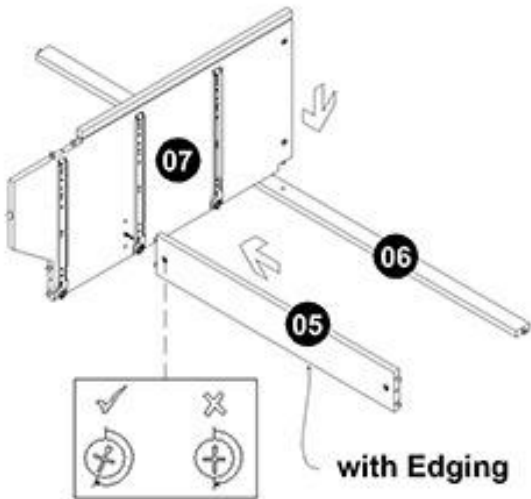
4



F x 4



5

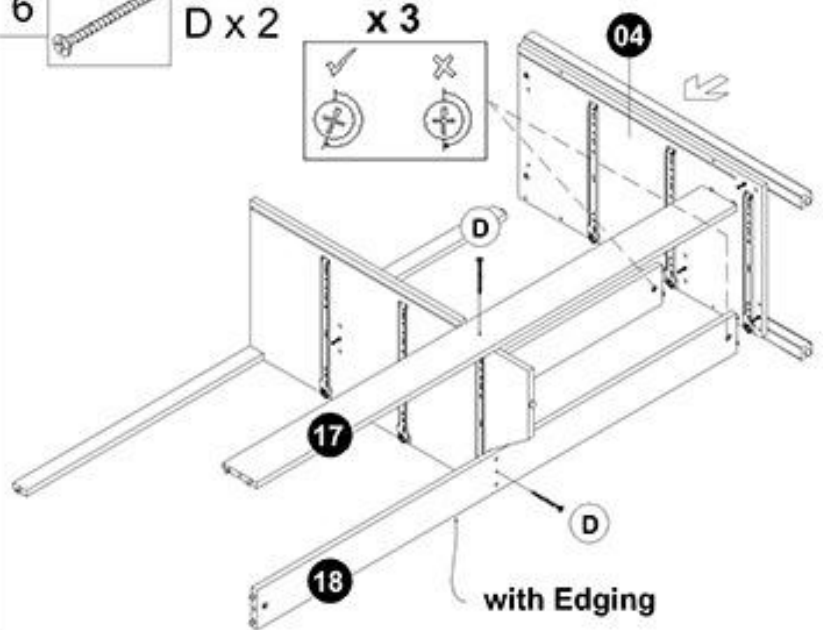


6

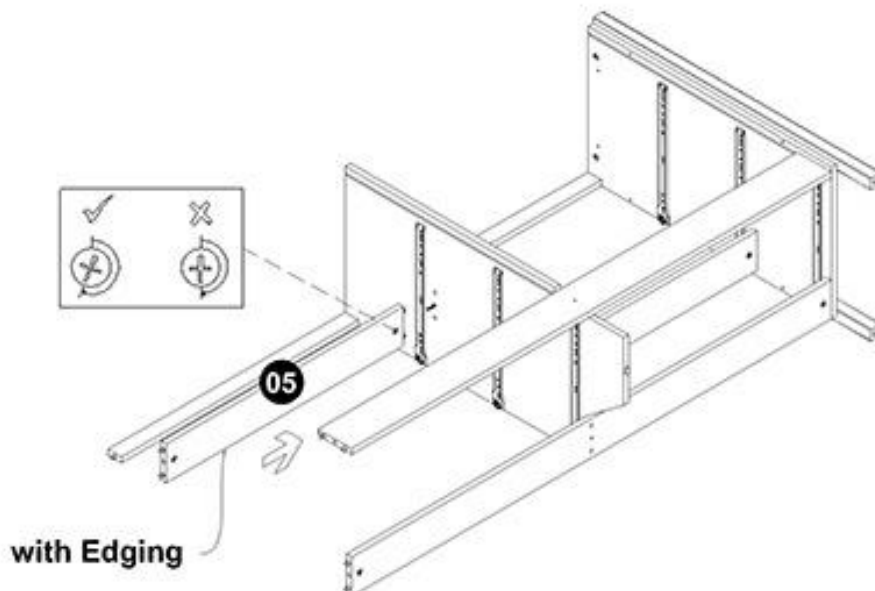


D x 2

x 3



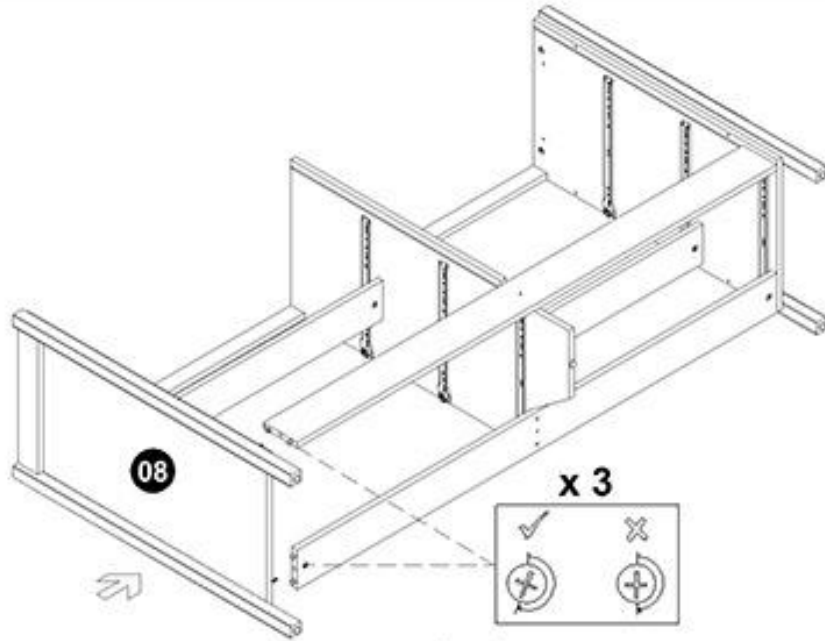
7



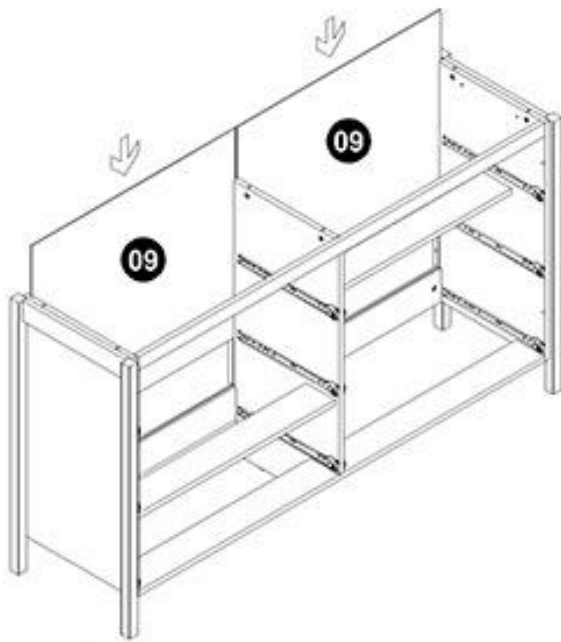
Guide To Assembly

Dresser Espresso

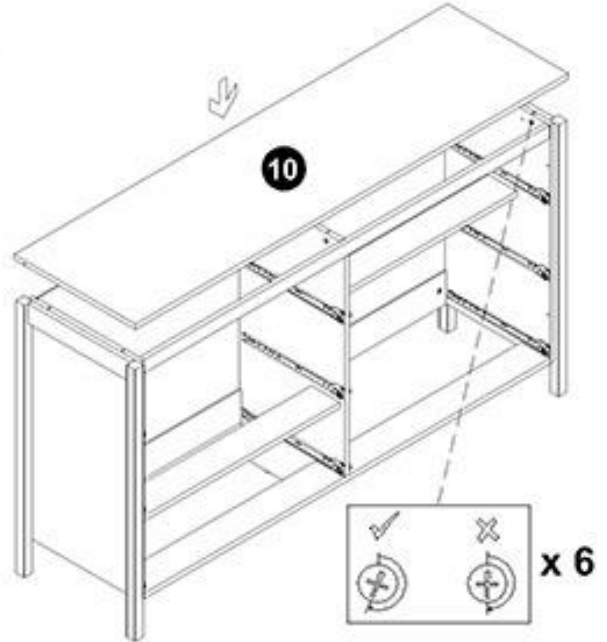
8



9



10



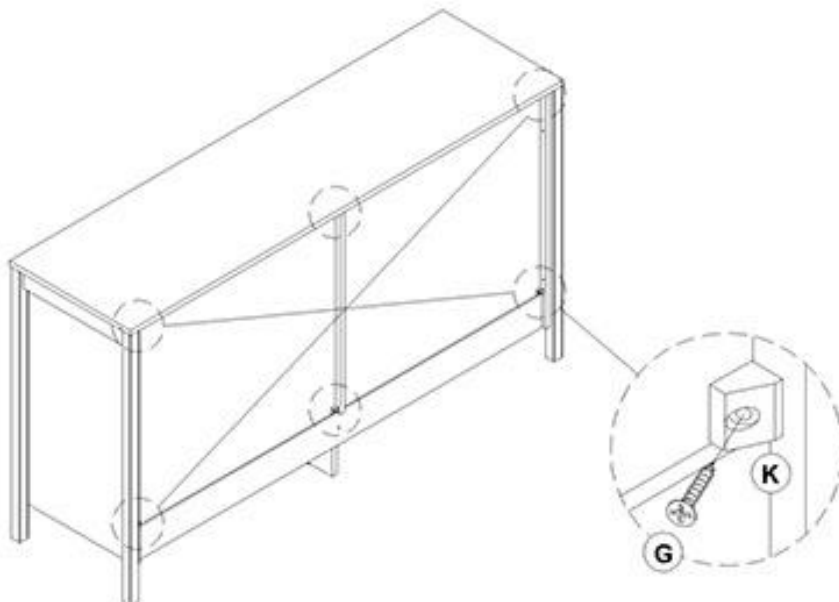
11



G x 6

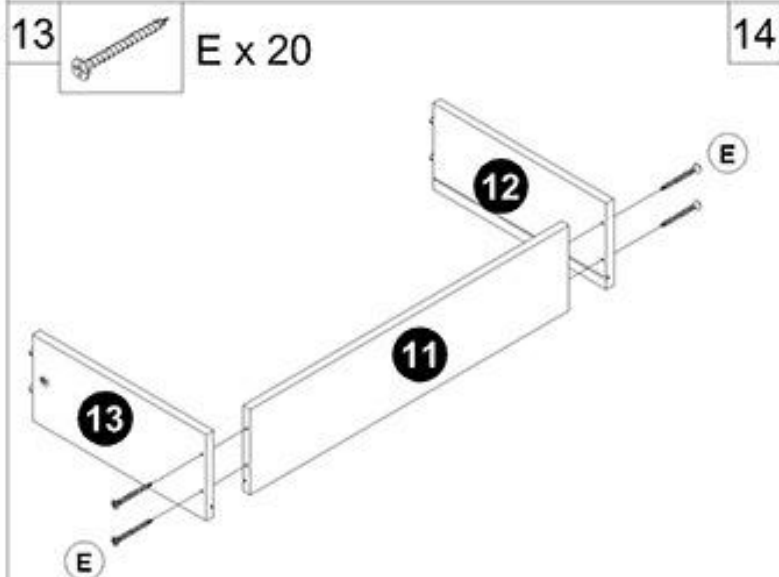
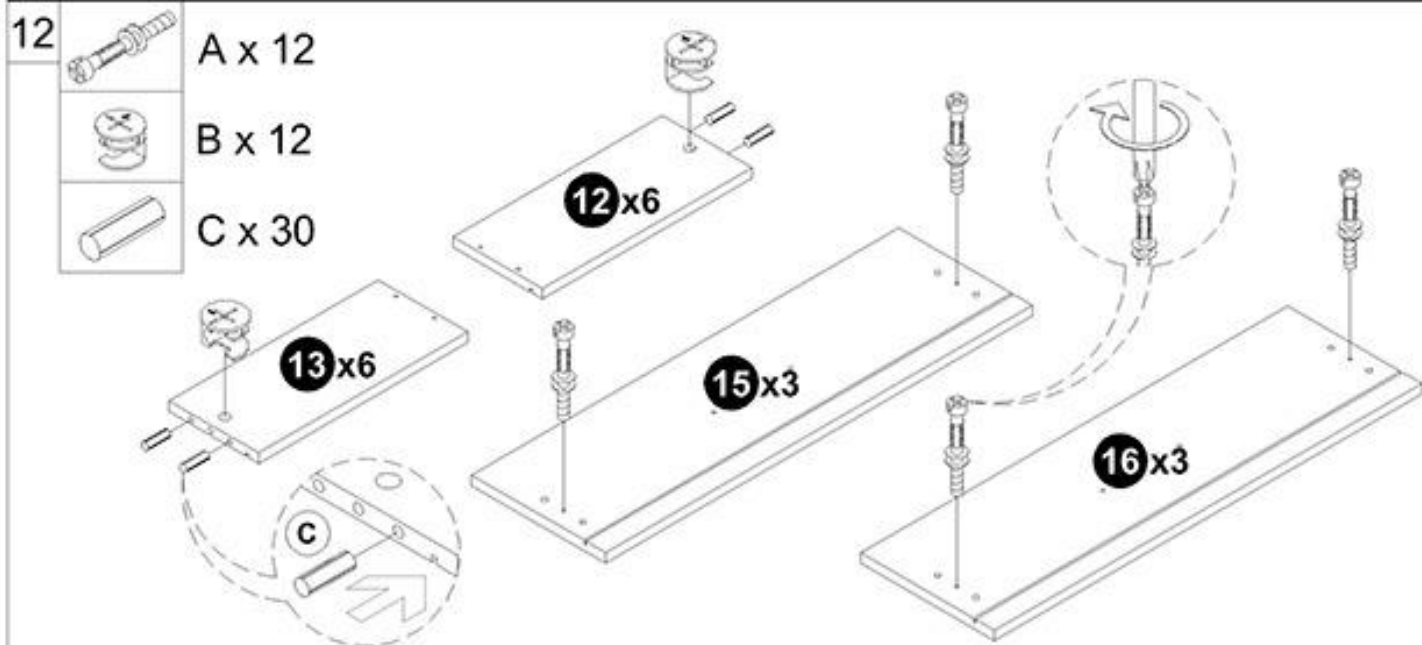


K x 6

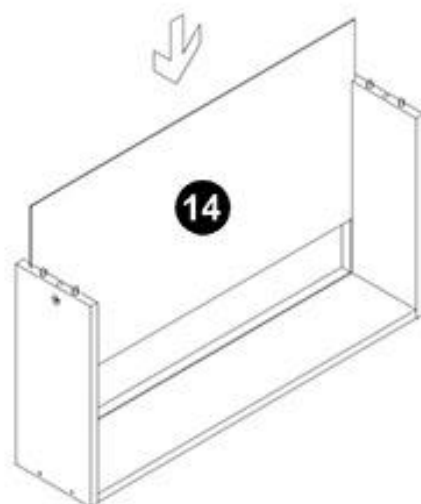


Guide To Assembly

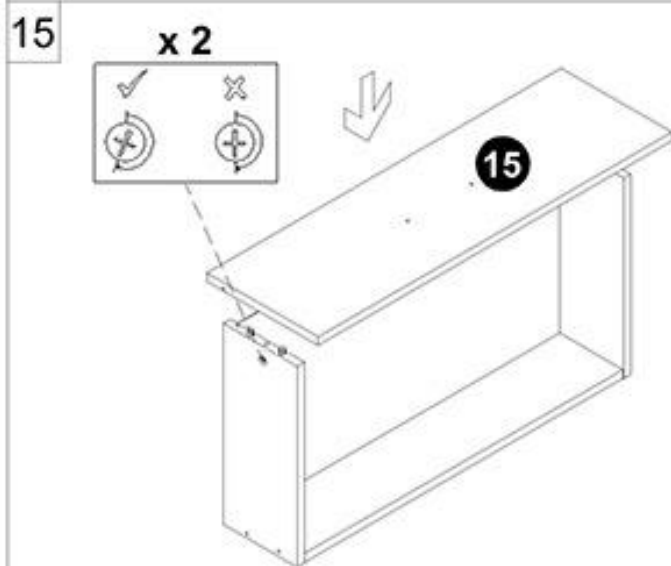
Dresser Espresso



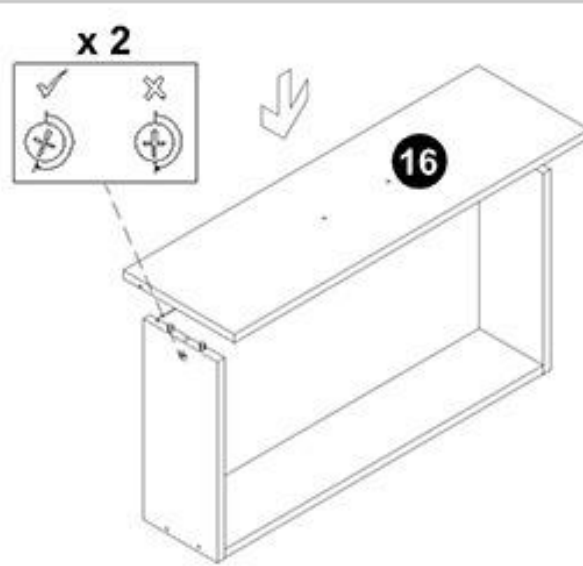
Do This Step 6 Times



Do This Step 6 Times



Do This Step 3 Times



Do This Step 3 Times

Guide To Assembly

Dresser Espresso

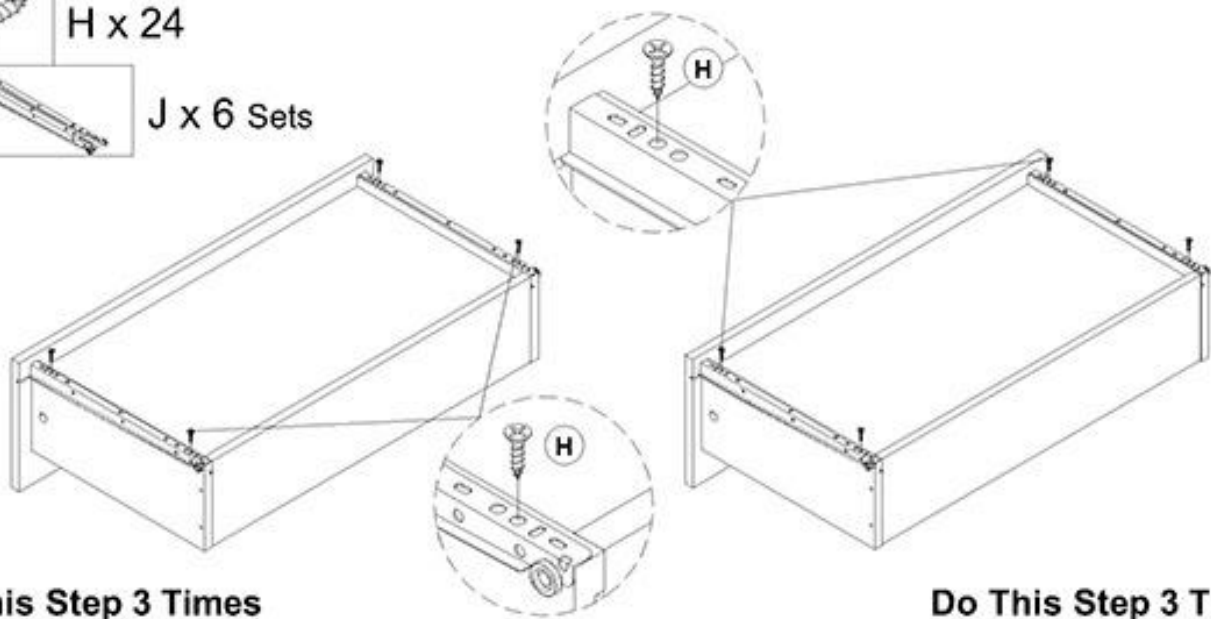
16



H x 24



J x 6 Sets



Do This Step 3 Times

Do This Step 3 Times

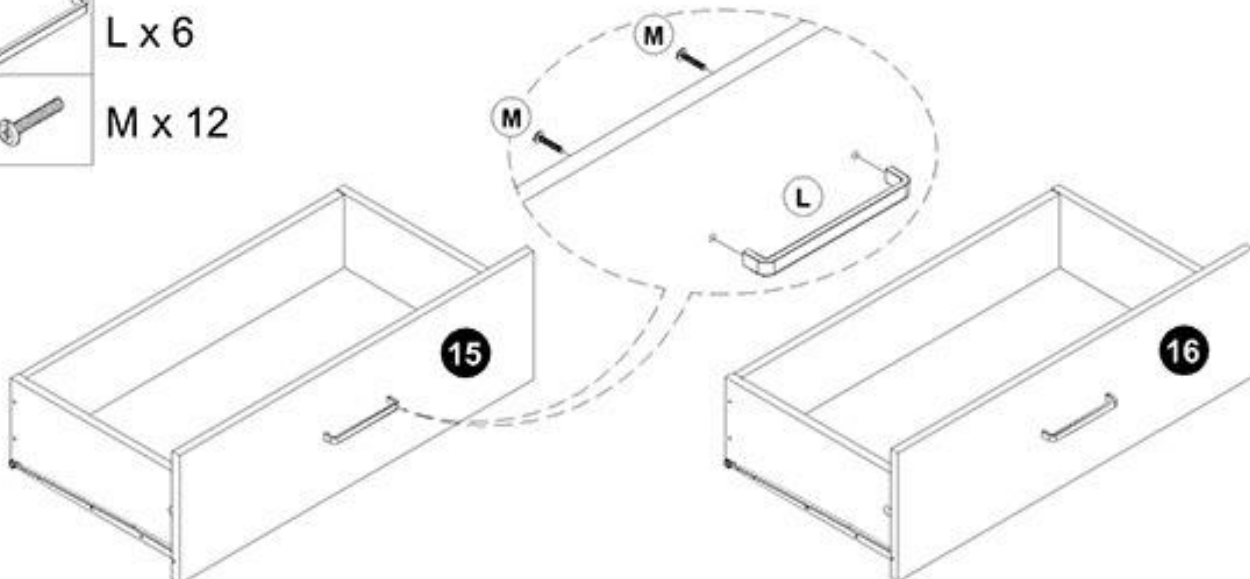
17



L x 6



M x 12



Do This Step 3 Times

Do This Step 3 Times

18

