

# 80109-311/321/511/521 ASSEMBLY INSTRUCTION

Thank you for purchasing this quality product. Be sure to check all packing material carefully for small parts which may have come loose inside the carton during shipment. Separate, identify and count all parts and hardware. Compare with the parts list to be sure all parts are present.

**IMPORTANT : PLEASE READ INSTRUCTION BEFORE STARTING THE ASSEMBLY.**

**"DO NOT TIGHTEN SCREWS UNTIL COMPLETELY ASSEMBLED"**

**"DO NOT OVERTIGHT ANY HARDWARE"**

**WARNING : SMALL PARTS AND HARDWARE NOT FOR CHILDREN UNDER 3 YEARS. ADULT ASSEMBLY REQUIRED.**

## TABLE OF CONTENTS

HARDWARES LIST	PAGE 2
PARTS LIST	PAGE 3 - 4
PARTS' LOCATION	PAGE 5
ASSEMBLY STEPS	PAGE 6 - 13
ASSEMBLY COMPLETED	PAGE 13

## ASSEMBLY TOOLS REQUIRED

### 1. Screwdriver (not provide)



### 2. Hammer (not provide)




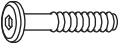
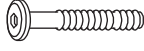











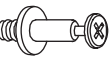



Skip the power trip this time.



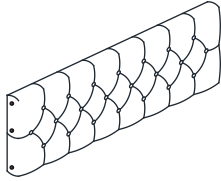
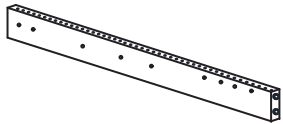
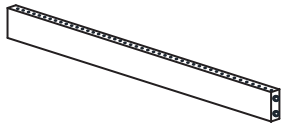
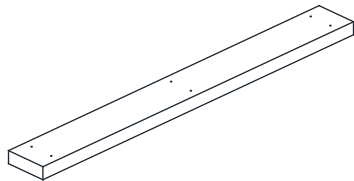
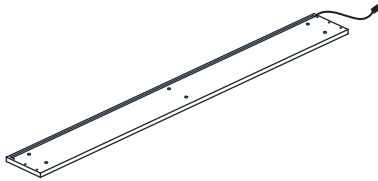
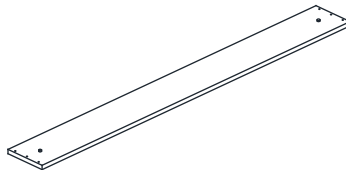
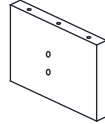
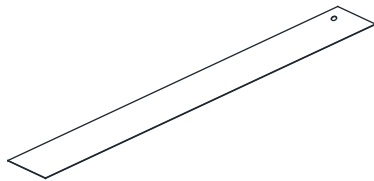
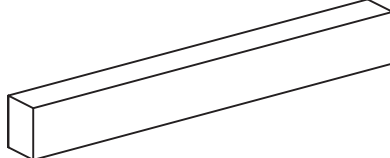
# 80109-311/321/511/521 ASSEMBLY INSTRUCTION

## HARDWARES LIST

ITEM	DESCRIPTION	DRAWING	QTY
A	JCBB SCREW M8 x 20MM		4 PCS
B	JCBB SCREW M8 x 50MM		4 PCS
C	JCBC SCREW M6 x 15MM		6 PCS
D	JCBC SCREW M6 x 25MM		8 PCS
E	JCBC SCREW M6 x 35MM		20 PCS
F	WOOD DOWEL M10 x 30MM		4 PCS
G	CSK C/B SCREW (M4 x 32MM)		8 PCS
H	SPRING WASHER M6 x 12MM		24 PCS
I	FLAT WASHER M6 x 19MM		14 PCS
J	SPRING WASHER M8 x 13MM		4 PCS
K	FLAT WASHER M8 x 22MM		4 PCS
L	M4 ALLEN KEY (100MM)		1 PC
M	M5 ALLEN KEY (65MM)		1 PC
N	WOOD DOWEL M8 x 30MM		8 PCS
O	NAIL		22 PCS
P	MINIFIX CAM LOCK		4 PCS
Q	MINIFIX BOLT		4 PCS
R	SUPPORT LEG ADJUSTABLE FEET		4 PCS

# 80109-311/321/511/521 ASSEMBLY INSTRUCTION

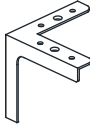
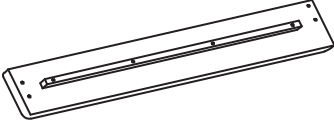
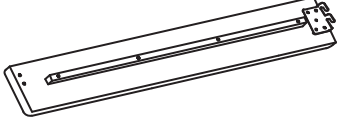

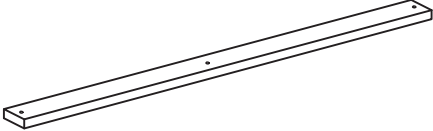


## PARTS LIST

ITEM	DESCRIPTION	DRAWING	QTY
1	HEADBOARD		1 PC
2	WING (L)		1 PC
3	WING (R)		1 PC
4	BOOKCASE PANEL WITH FABRIC		1 PC
5	BOOKCASE PANEL (TOP) WITH LED STRIP		1 PC
6	BOOKCASE PANEL (BOTTOM)		1 PC
7	BOOKCASE SIDE PANEL		2 PCS
8	BOOKCASE BACK PANEL		1 PC
9	FOOTBOARD		1 PC

MORE PARTS DETAIL IN NEXT PAGE...

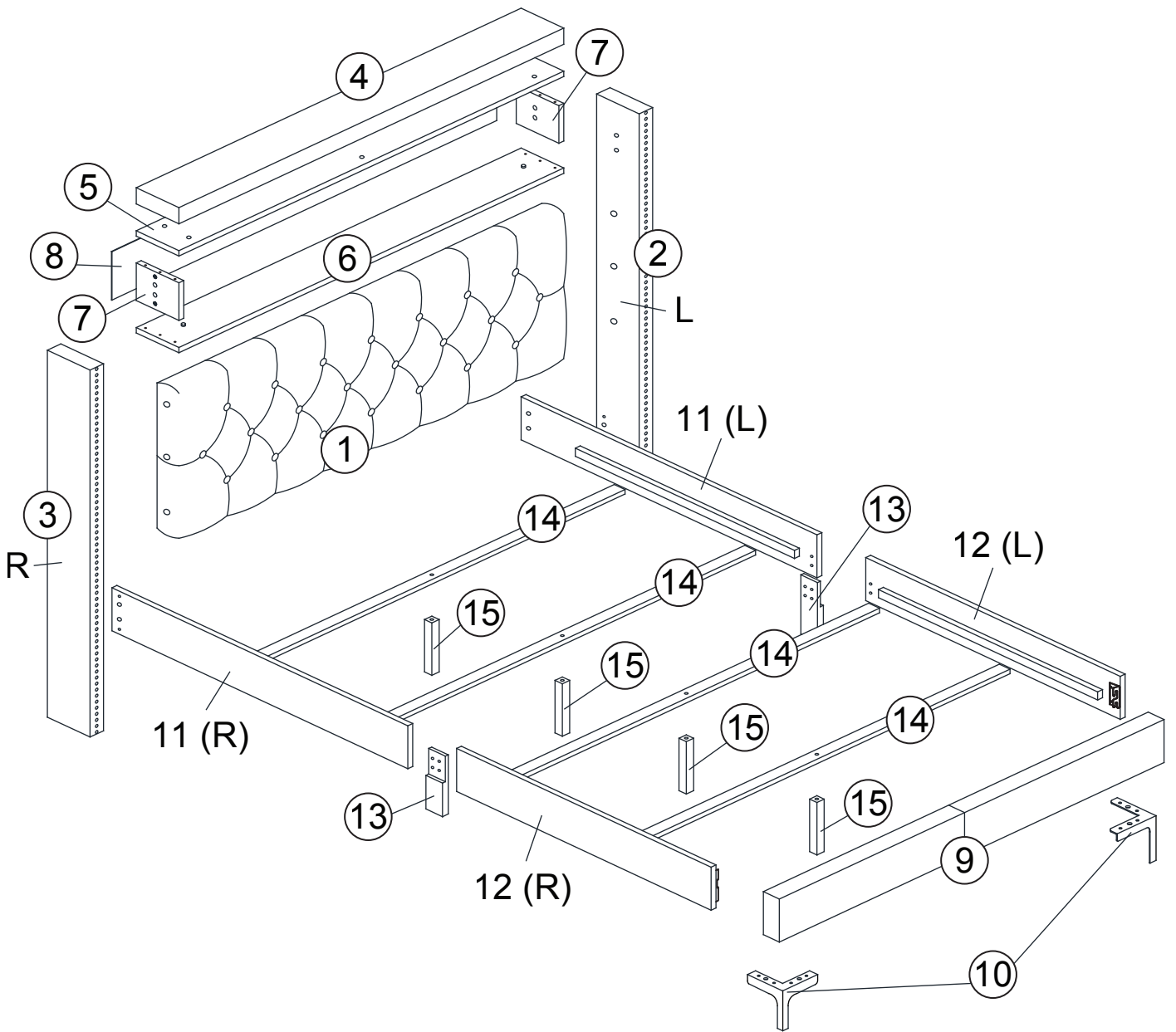
# 80109-311/321/511/521 ASSEMBLY INSTRUCTION

## PARTS LIST

ITEM	DESCRIPTION	DRAWING	QTY
10	FOOTBOARD LEG		2 PCS
11	SIDE RAIL (L/R)		2 PCS
12	SIDE RAIL (L/R)		2 PCS
13	SIDE RAIL LEG		2 PCS
14	SLAT		4 PCS
15	SUPPORT LEG		4 PCS
16	PLUG		1 PC

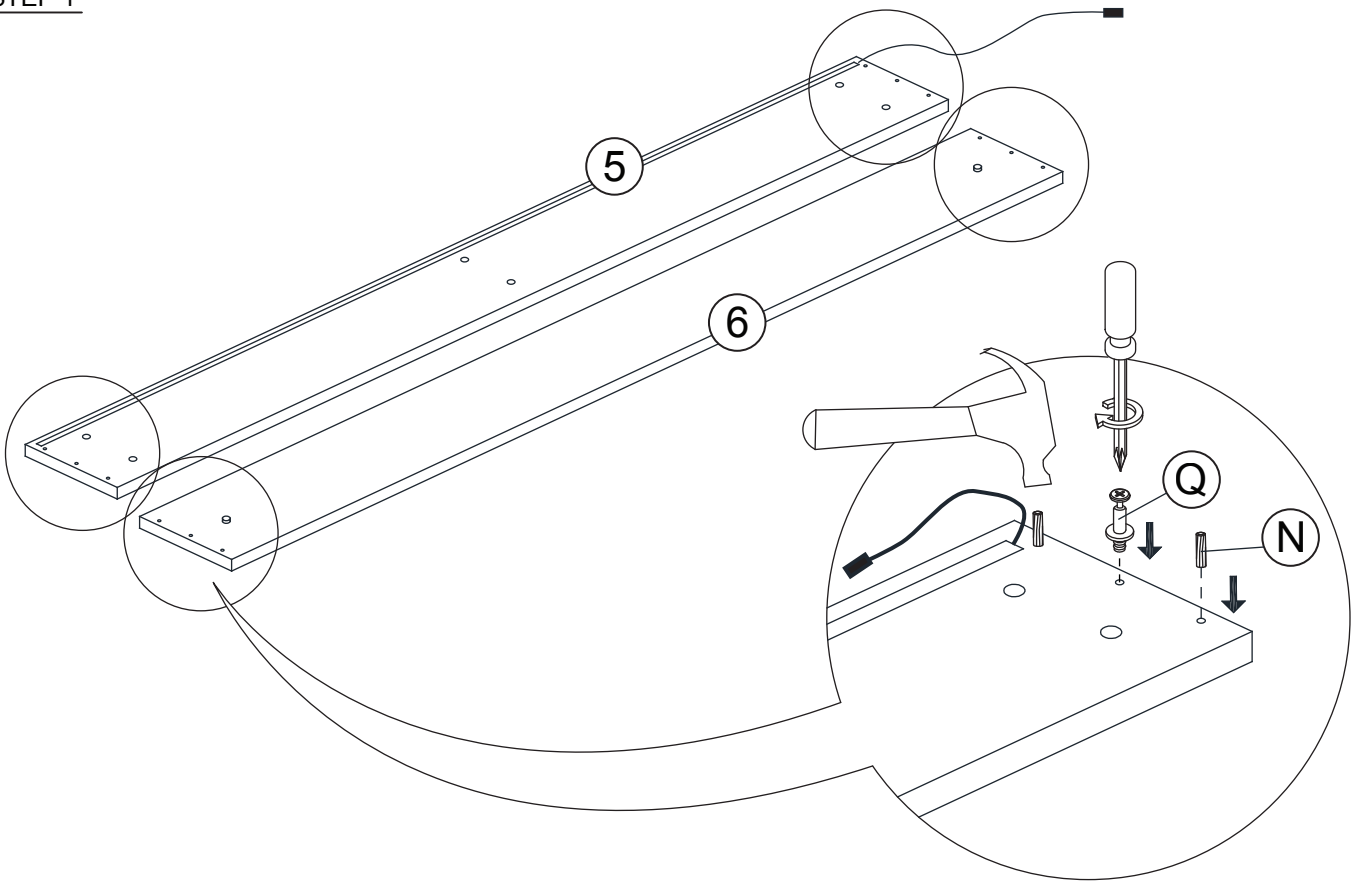
# 80109-311/321/511/521 ASSEMBLY INSTRUCTION

## PARTS ' LOCATION



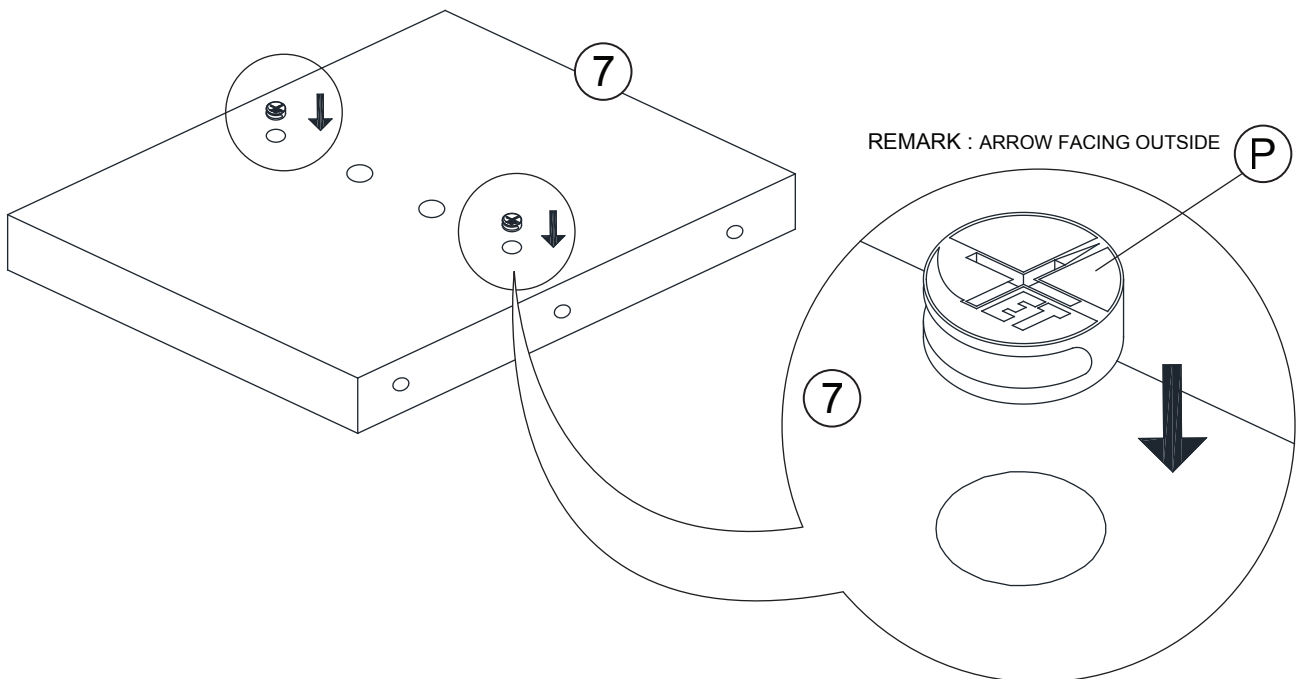
# 80109-311/321/511/521 ASSEMBLY INSTRUCTION

## STEP 1



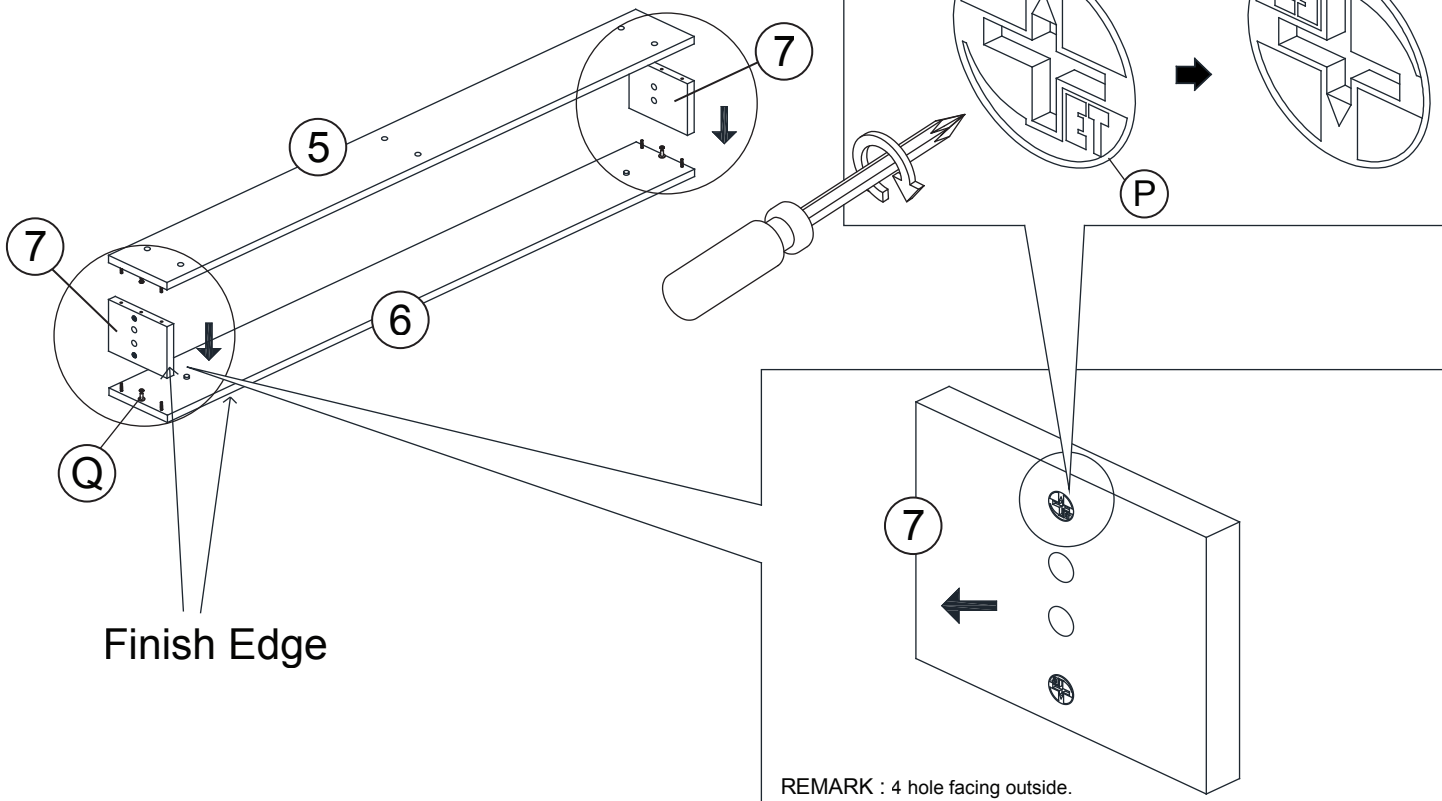
## STEP 2

x2



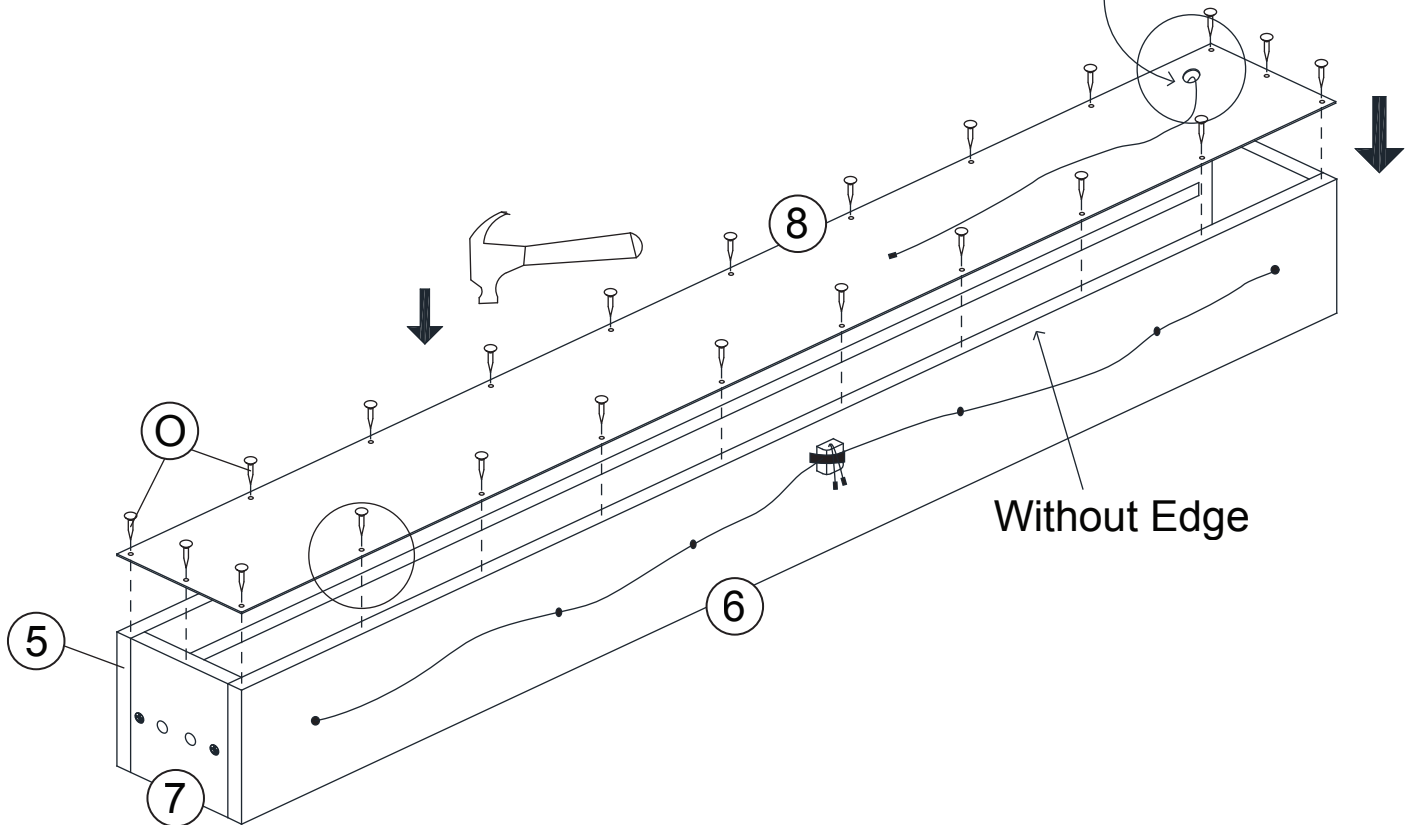
# 80109-311/321/511/521 ASSEMBLY INSTRUCTION

## STEP 3



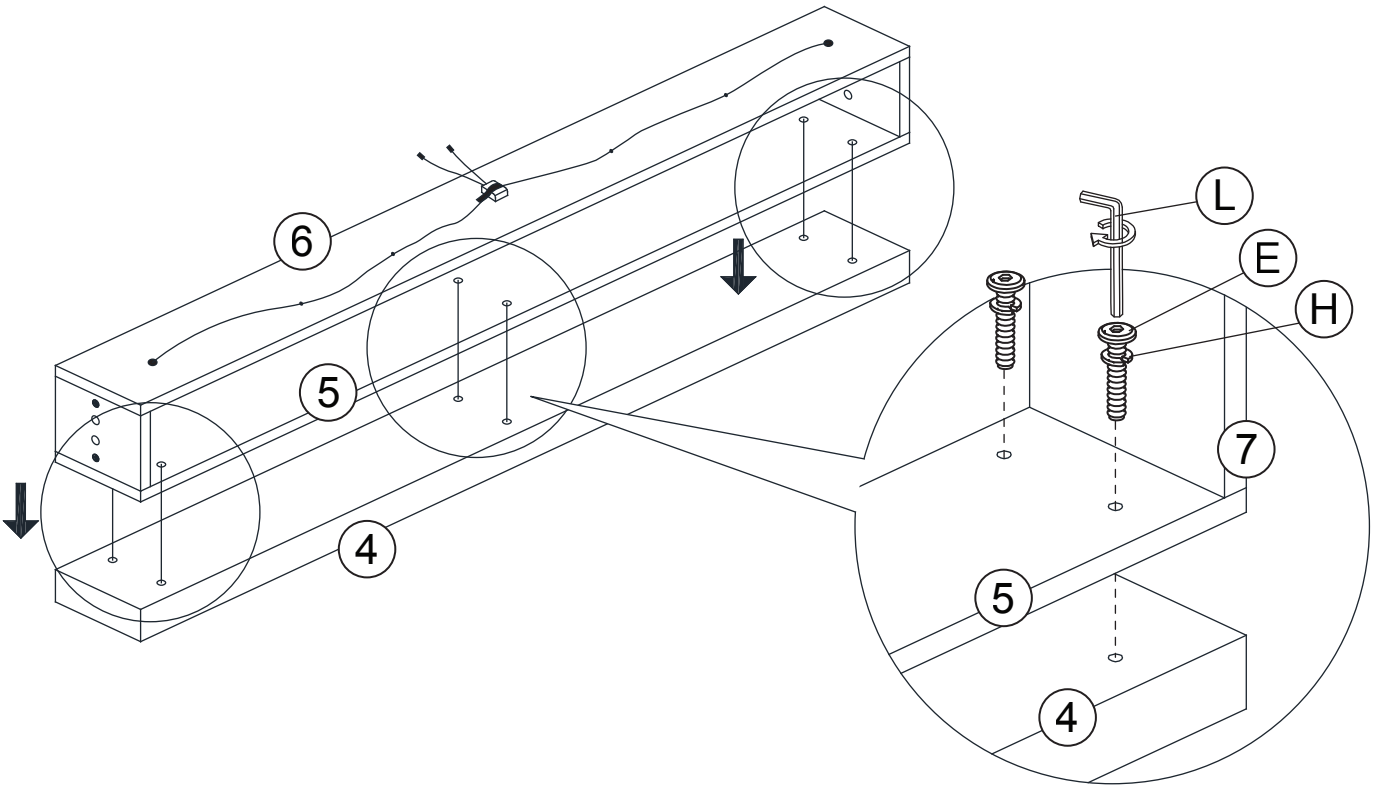
## STEP 4

REMARK : Pull out the wire from inside

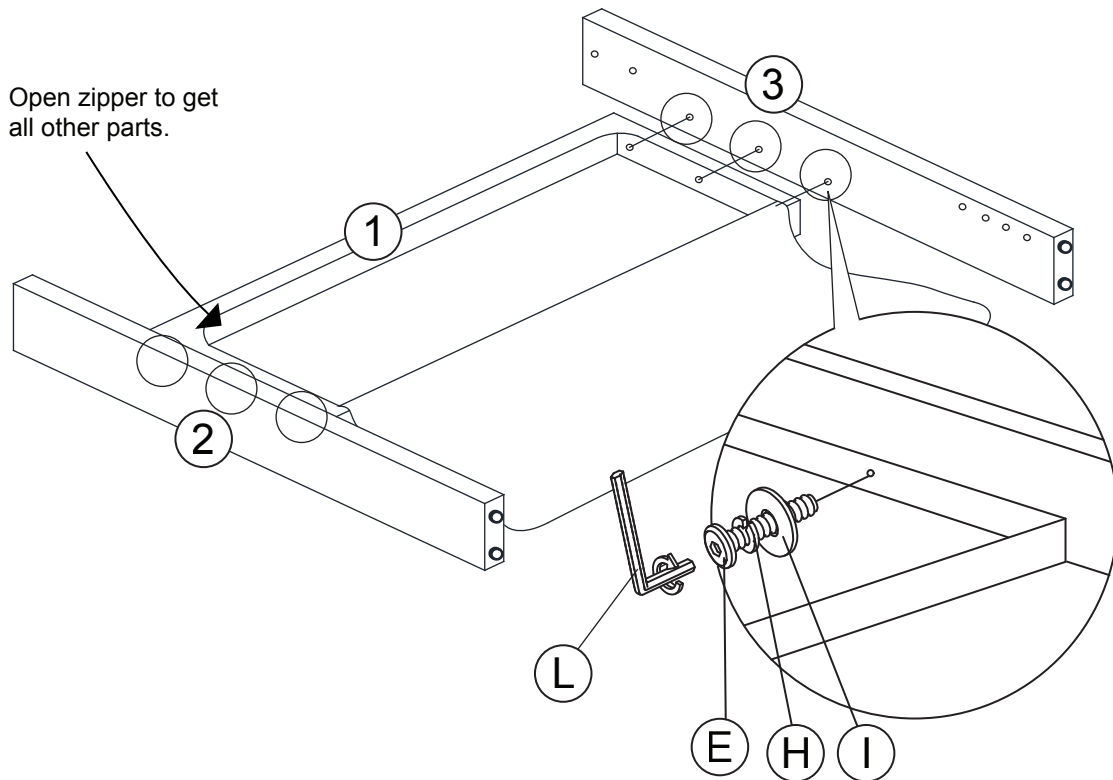


# 80109-311/321/511/521 ASSEMBLY INSTRUCTION

## STEP 5

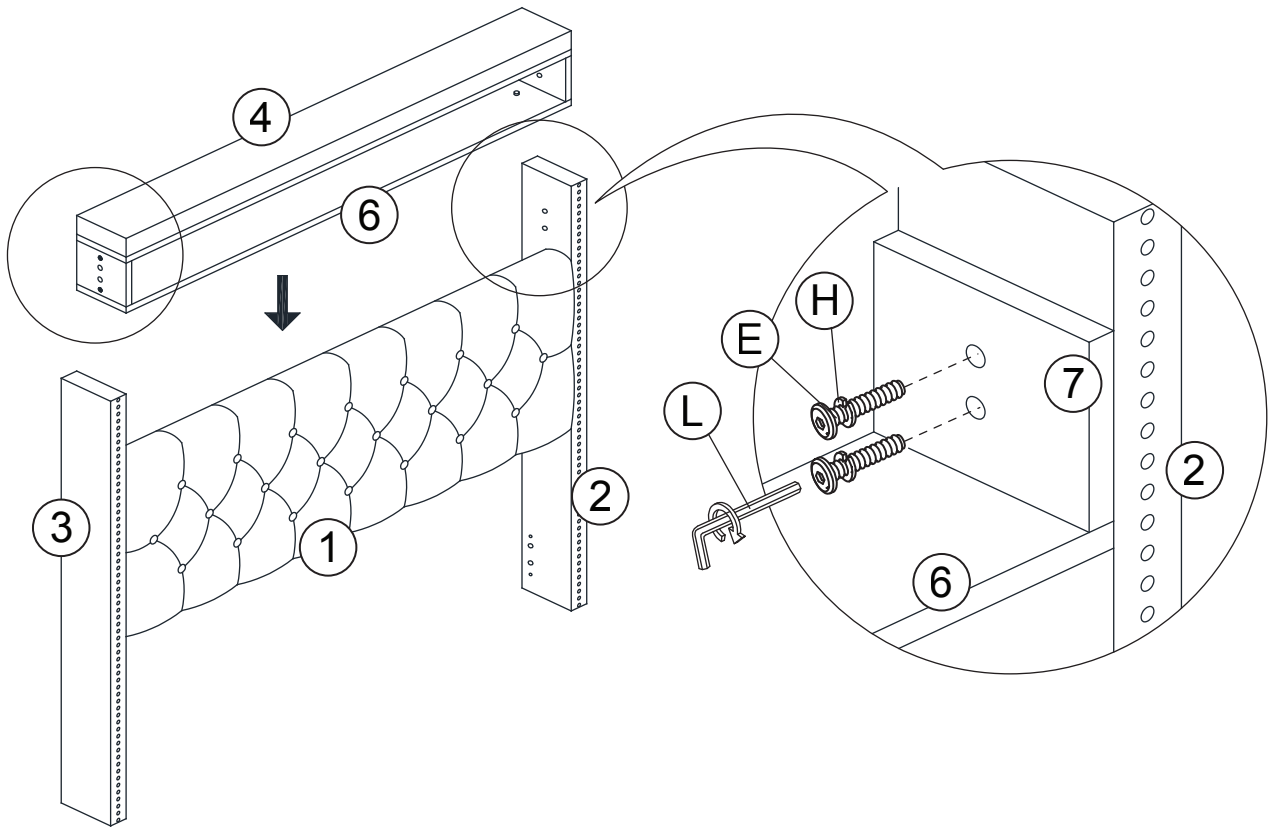


## STEP 6

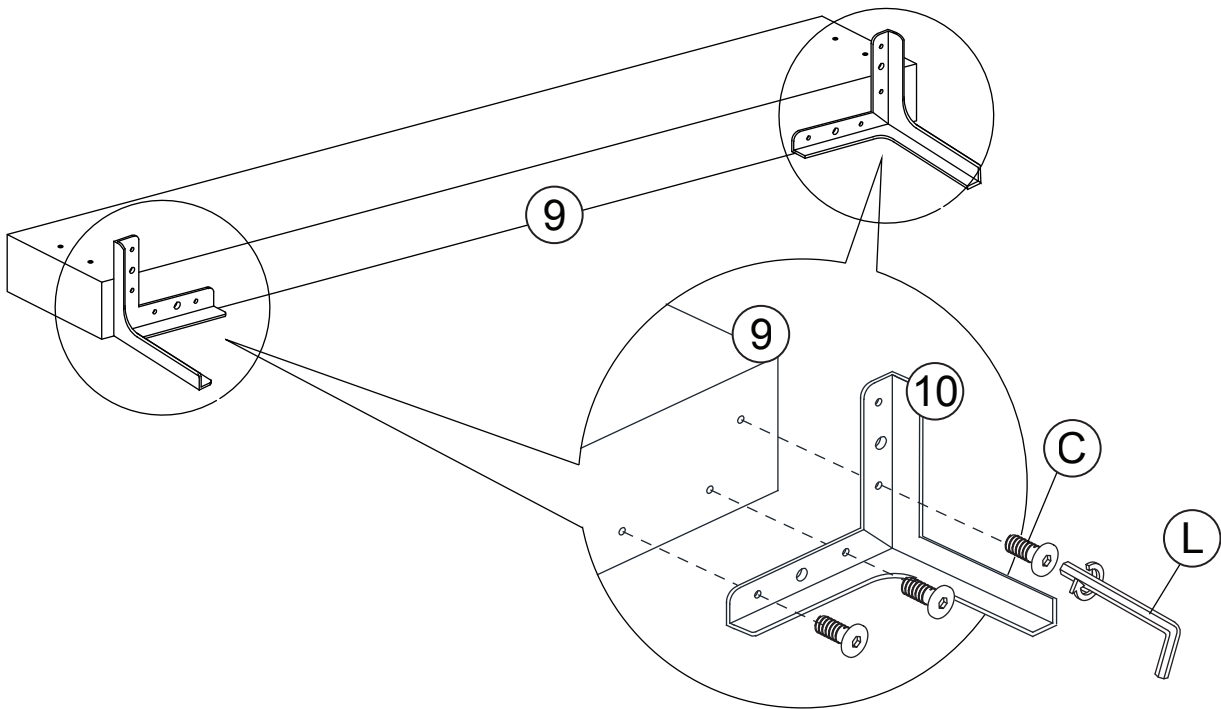


# 80109-311/321/511/521 ASSEMBLY INSTRUCTION

## STEP 7

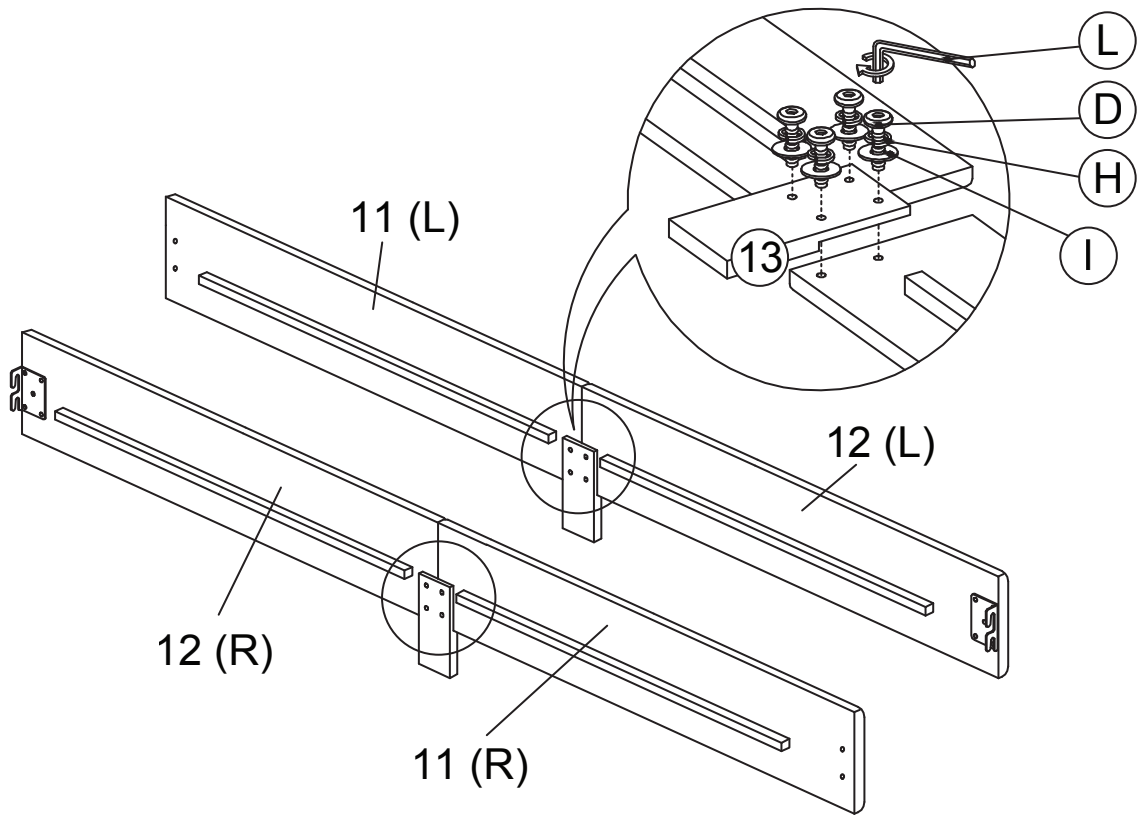


## STEP 8

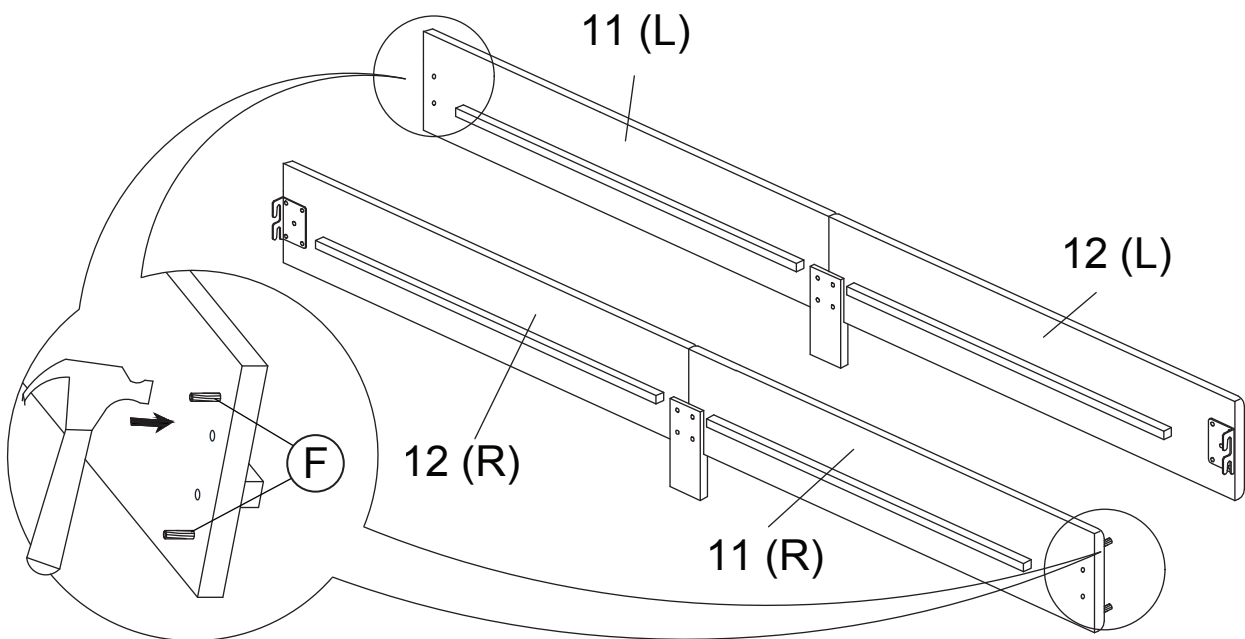


# 80109-311/321/511/521 ASSEMBLY INSTRUCTION

## STEP 9

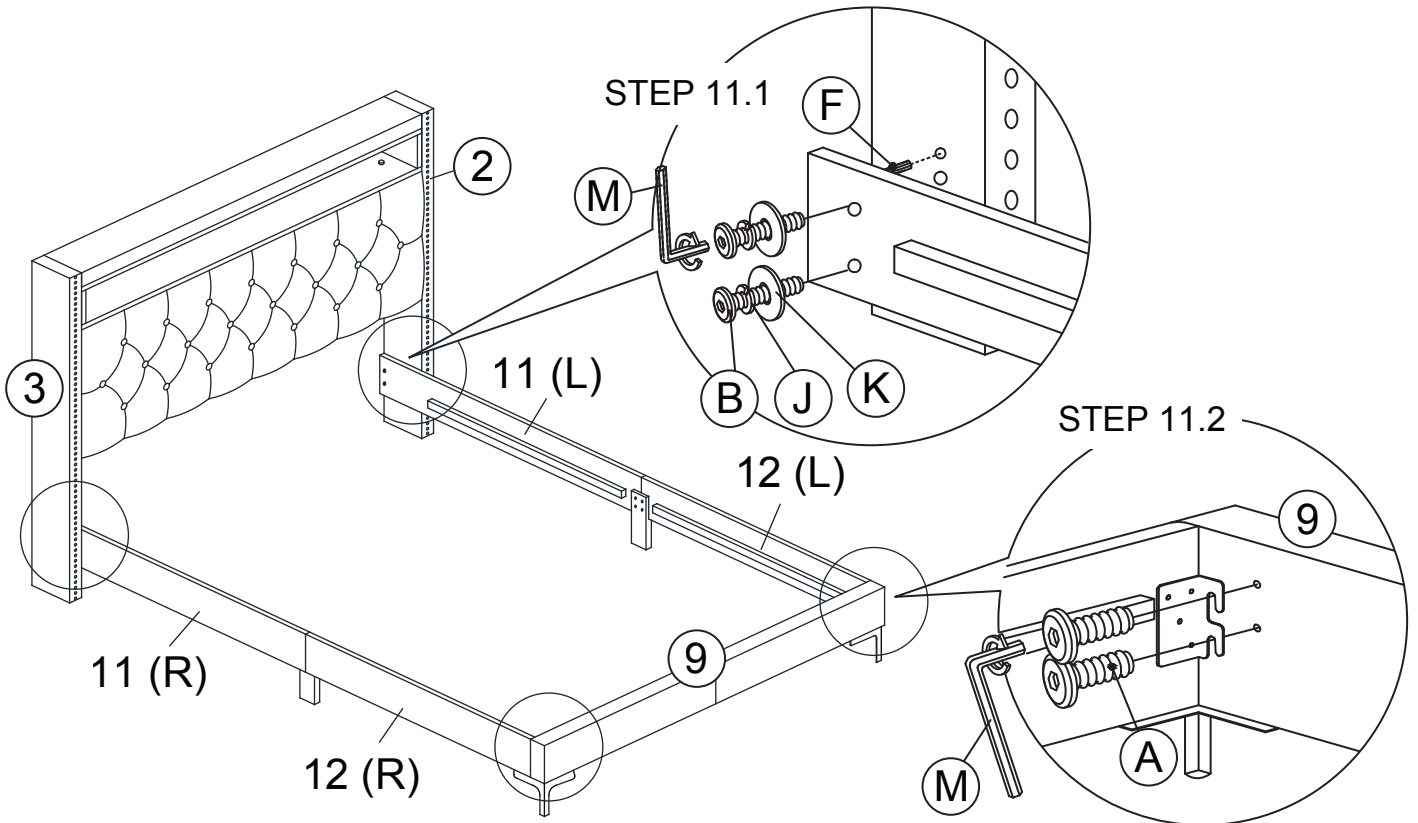


## STEP 10

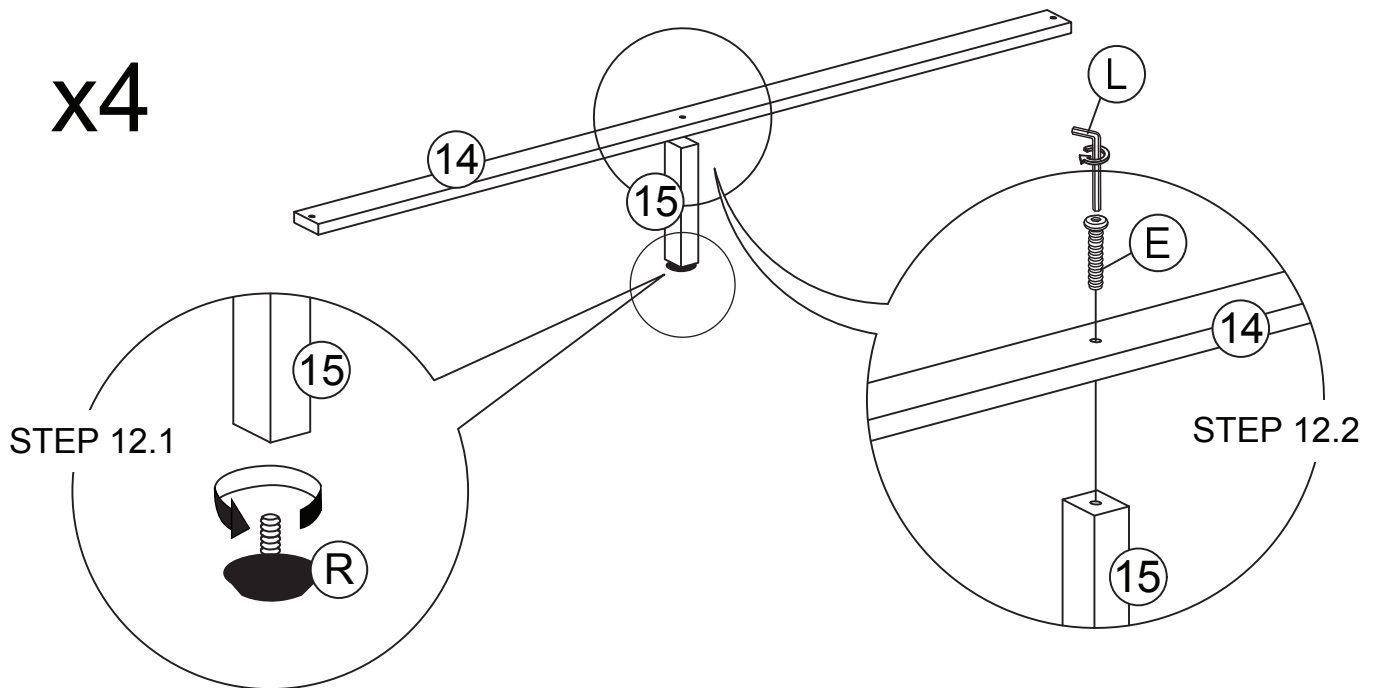


# 80109-311/321/511/521 ASSEMBLY INSTRUCTION

## STEP 11

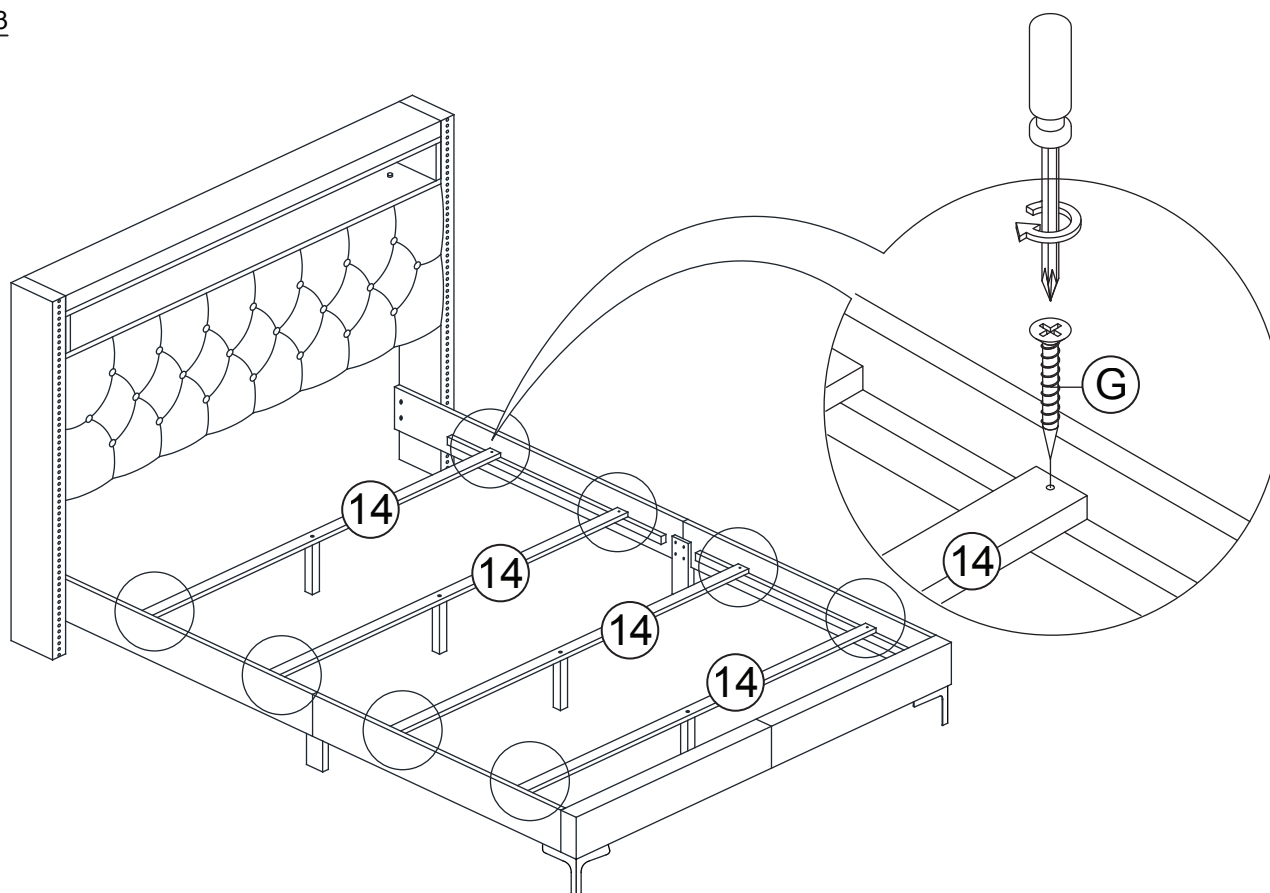


## STEP 12

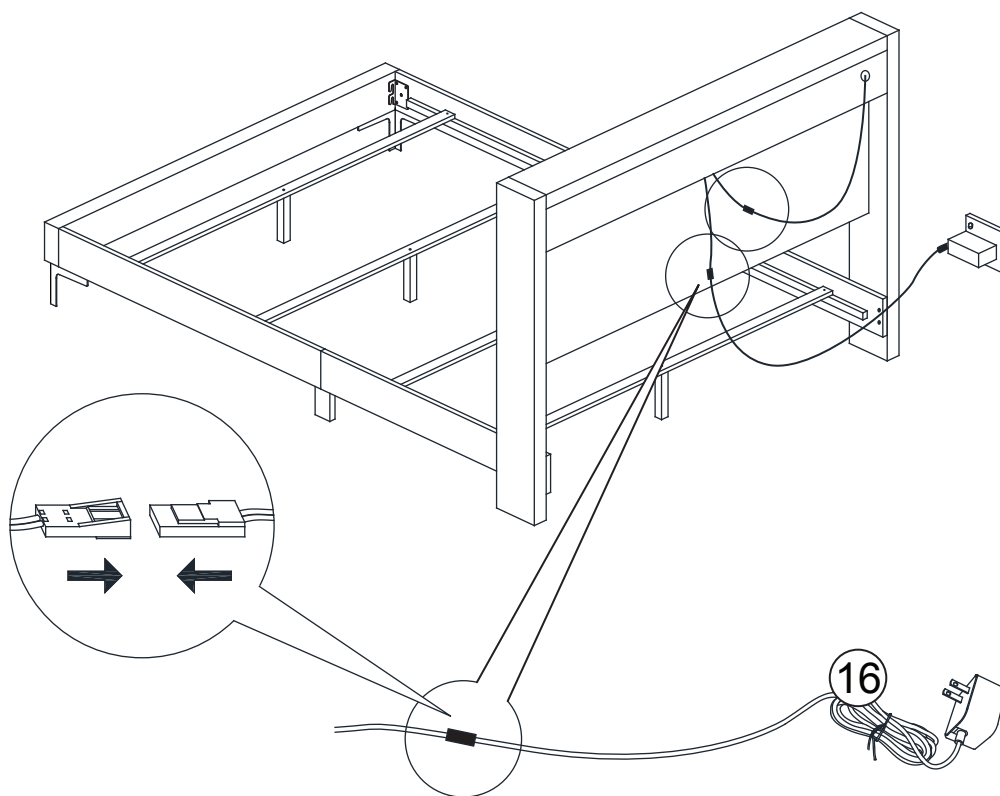


# 80109-311/321/511/521 ASSEMBLY INSTRUCTION

## STEP 13



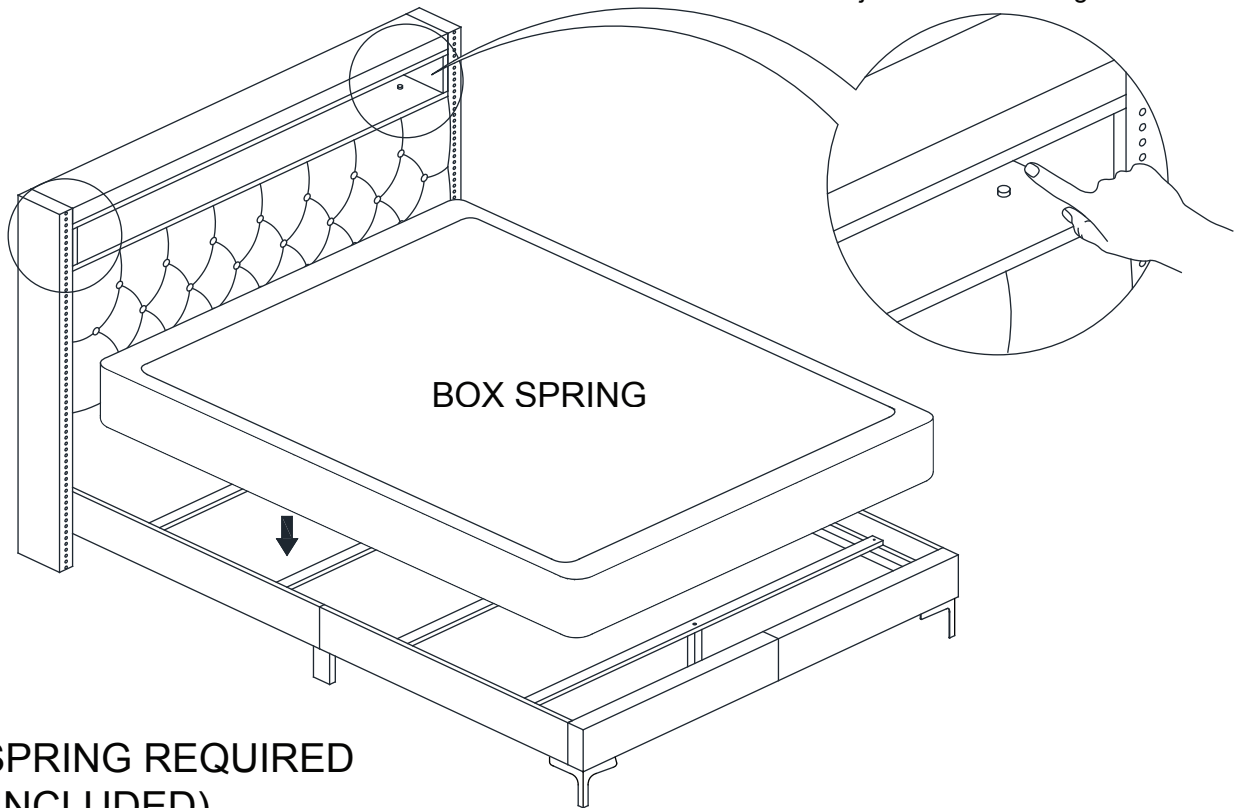
## STEP 14



# 80109-311/321/511/521 ASSEMBLY INSTRUCTION

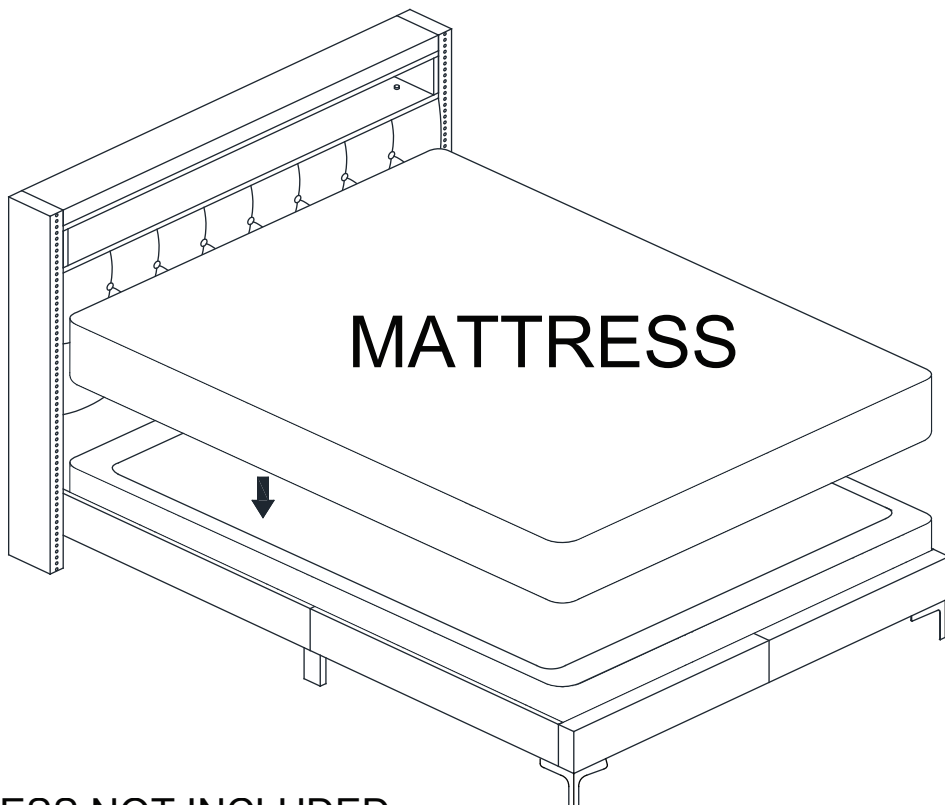
**STEP 15**

**REMARK :** Touch the sensor to turn on the light and adjust the level of brightness.



**BOX SPRING REQUIRED  
(NOT INCLUDED)**

**STEP 16**



**MATTRESS NOT INCLUDED**

**ASSEMBLY COMPLETED**