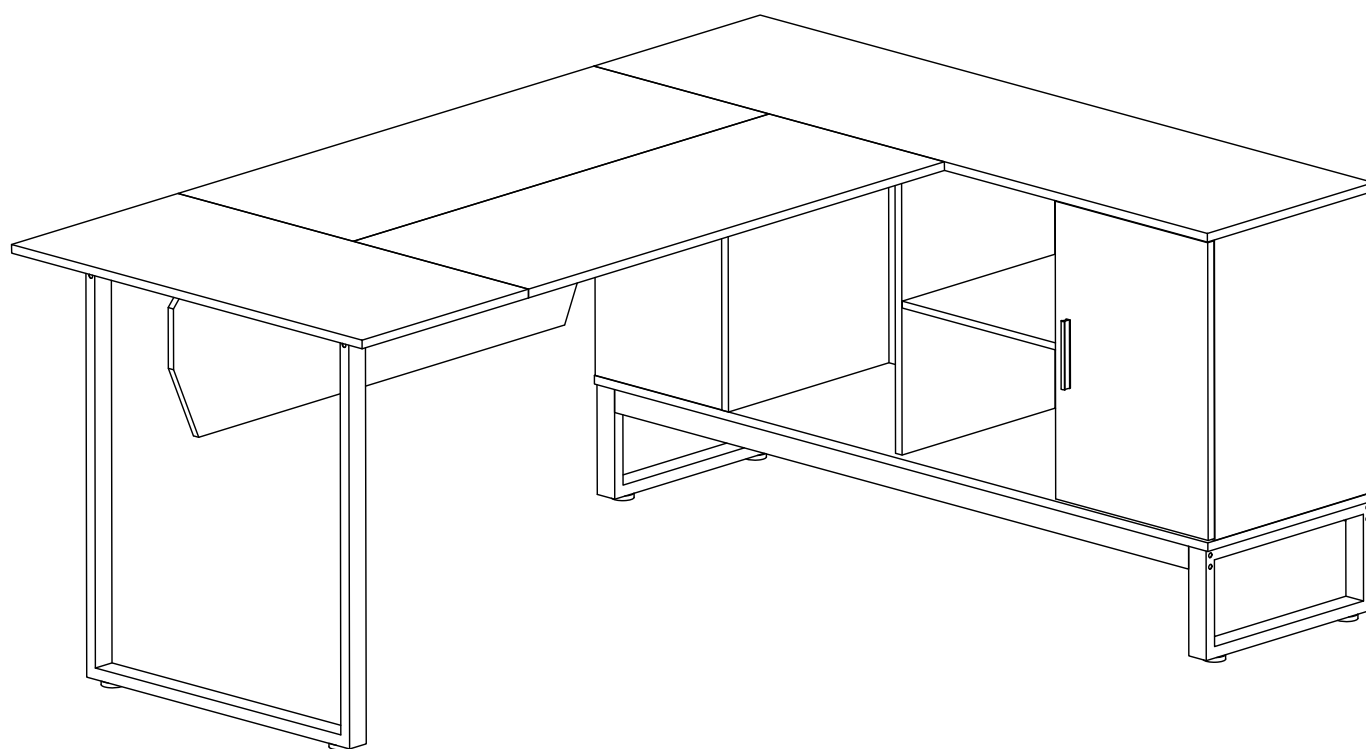


Assembly Instructions

Multifunctional Computer Desk

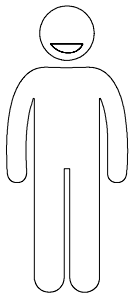


Call us!

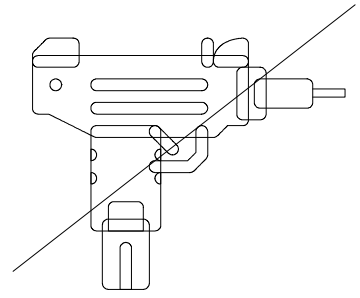
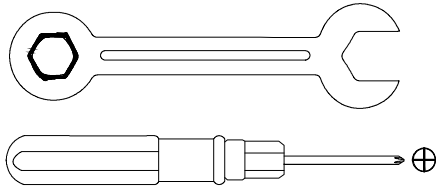
We're here to help!

If you have any issues with this product, please contact our customer service team **before returning** it.

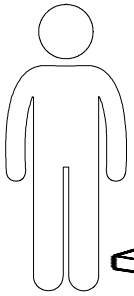
We want you to be completely satisfied with your purchase! If anything is missing, damaged, incorrect, or not what you expected, don't worry. Please keep the outer packaging and take photos of both the packaging and products, and then reach out to us or call us. We'll take care of everything and send you a free replacement, so you can enjoy your purchase as soon as possible without any hassle.



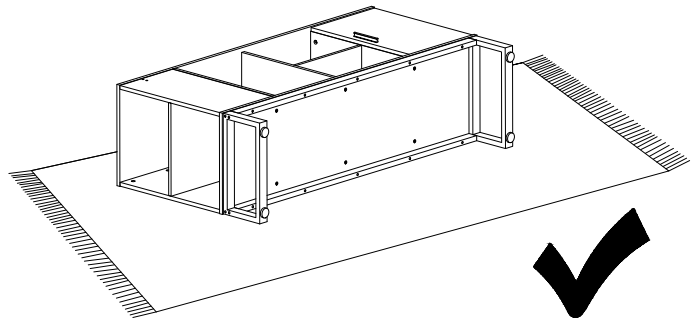
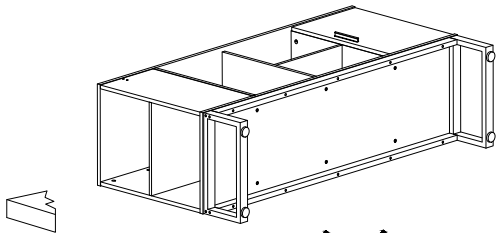
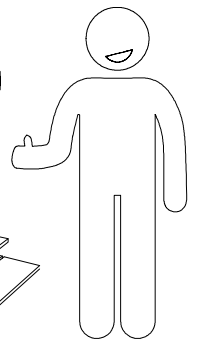
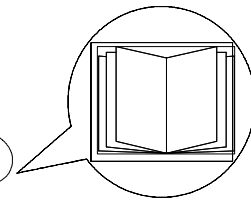
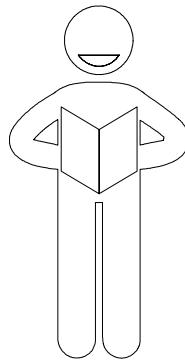
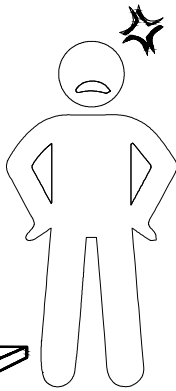
X2

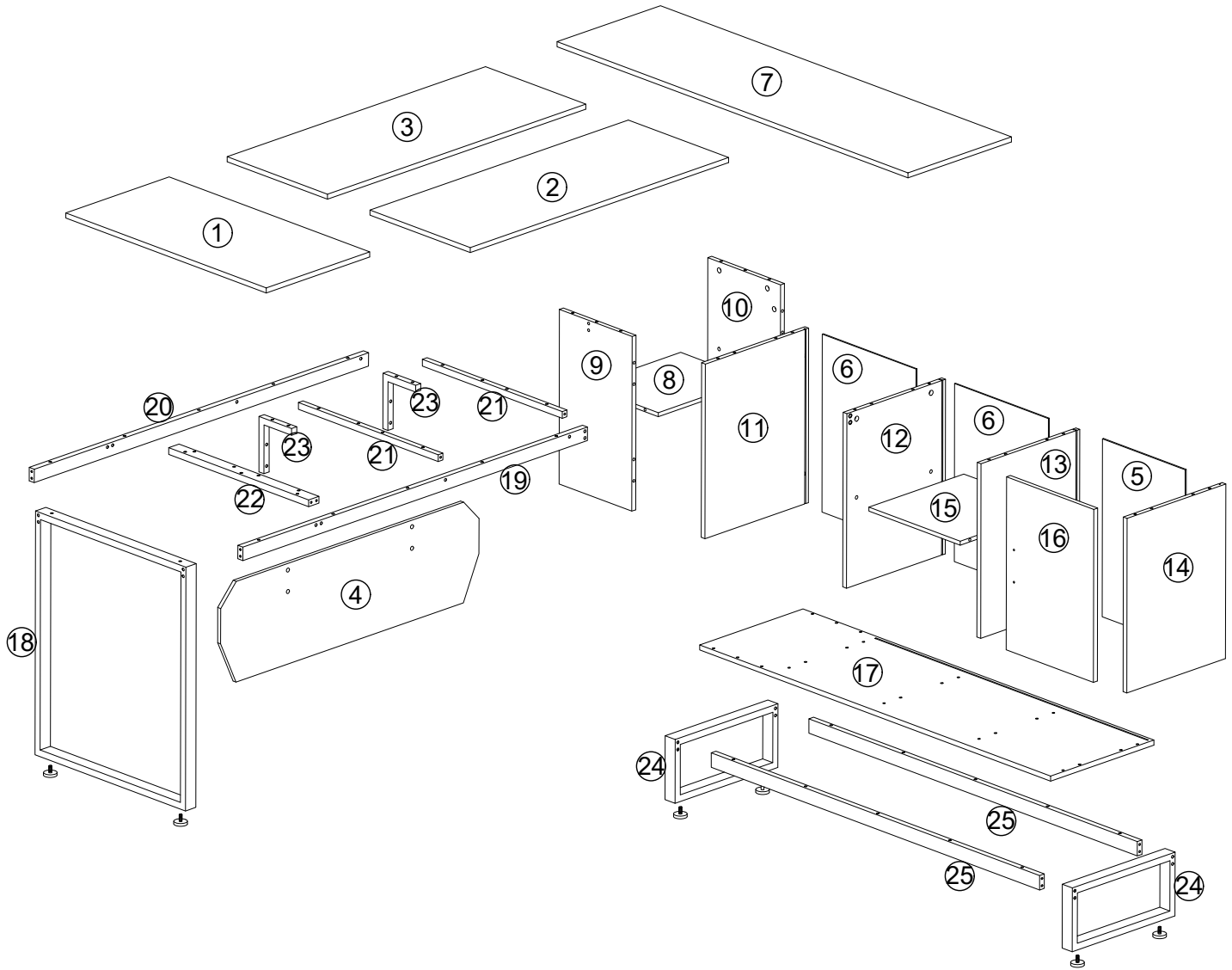


When using the electric screwdriver ,
Reduce the power and torque to avoid damaging the furniture



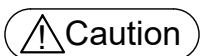
?





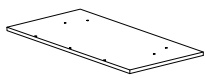
SKU	PARTNO.	QUANTITY
A	②	1
	③	1
	④	1
	⑦	1
	⑰	1
	⑲	1
	⑳	1
	㉑	2
	㉒	1
	㉓	2

SKU	PARTNO.	QUANTITY
B	①	1
	⑤	1
	⑥	2
	⑧	1
	⑨	1
	⑩	1
	⑪	1
	⑫	1
	⑬	1
	⑭	1
	⑮	1
	⑯	1
	㉓	2
	㉔	2

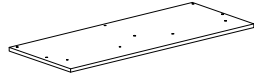


Make sure all parts are included. Most board parts are labeled or stamped on the raw edge. Contact us for a free replacement if you encounter any damaged or missing parts.

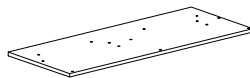
Parts & Hardware List



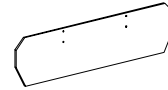
① 1pc



② 1pc



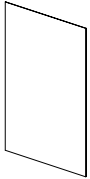
③ 1pc



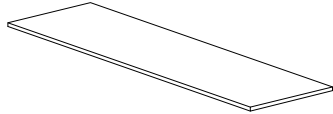
④ 1pc



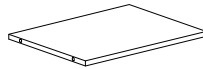
⑤ 1pc



⑥ 2pcs



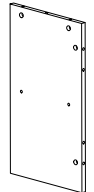
⑦ 1pc



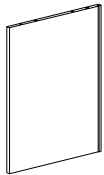
⑧ 1pc



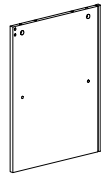
⑨ 1pc



⑩ 1pc



⑪ 1pc



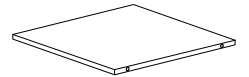
⑫ 1pc



⑬ 1pc



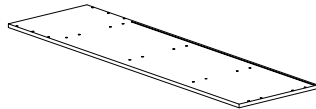
⑭ 1pc



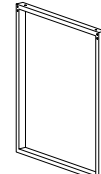
⑮ 1pc



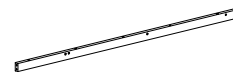
⑯ 1pc



⑰ 1pc



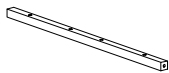
⑱ 1pc



⑲ 1pc



⑳ 1pc



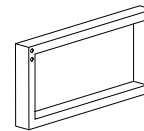
㉑ 2pcs



㉒ 1pc



㉓ 2pcs



㉔ 2pcs



㉕ 2pcs

Hardware List

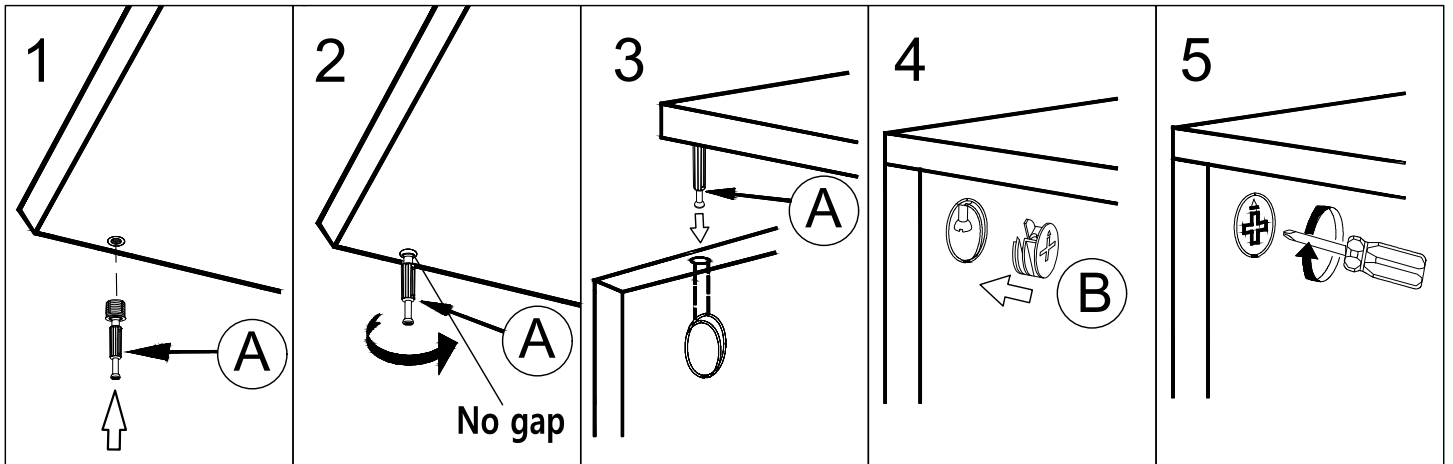
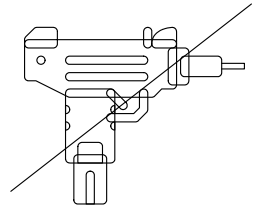
A	X16+1	B	X16+1	C	X12+1	D	X32+1	E	X12+1	F	X1	G	X12+1	H	X4+1
Ø6X40mm	Ø15X12mm	3X18mm	Ø8X30mm	Ø7X47mm	M4X64mm	3.5X14mm	M6X25mm								

I	X23+1	J	X10+1	K	X20+1	L	X12+1	M	X1	N	X2+1	O	X6	P	X2
M6X30mm	M6X40mm	M6X50mm	M6X60mm	106X16X8mm	M4X18mm	M6XØ23mm									

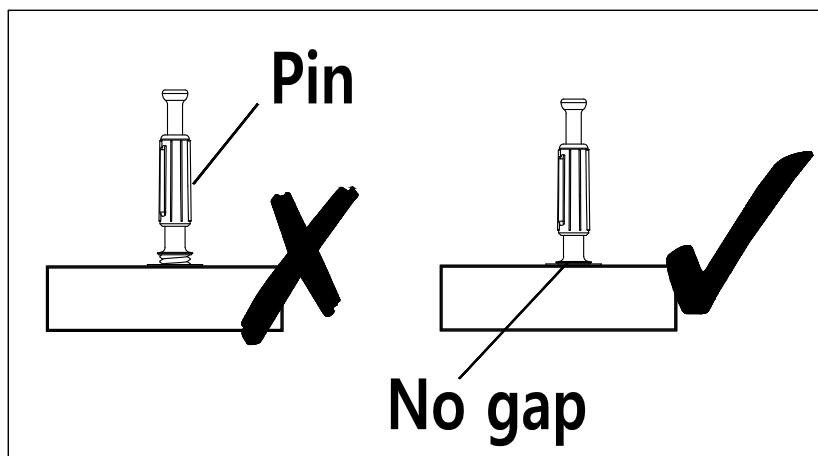
Q	X12+1
17x16x10.5	

Installation of Cams and Pins

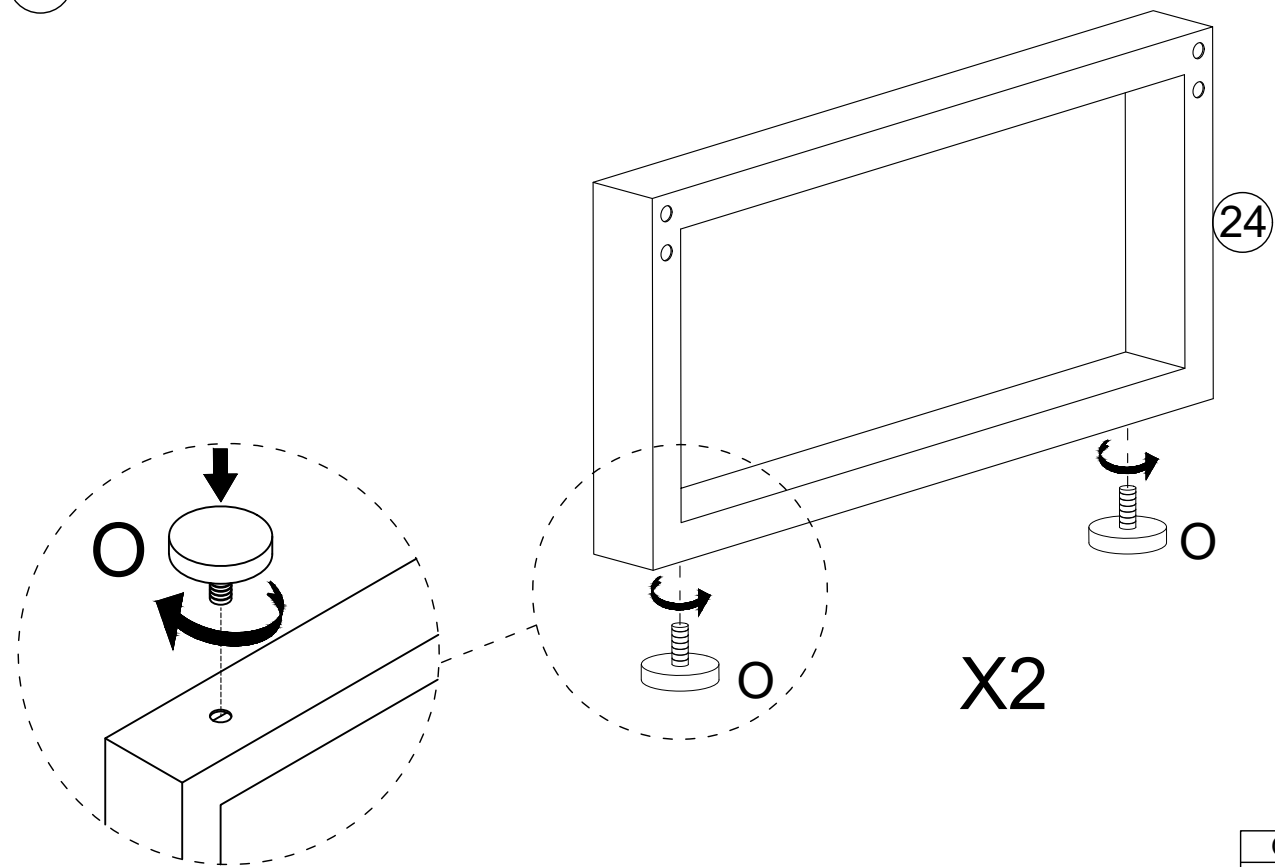
Screw the pin into the hole. To set the cams correctly, ensure that the arrow on the cam is opening to the hole of the pin it is locking. Lock the cam by turning the cam head with a screwdriver until it is tightened. Please do not use an electric screwdriver to assemble the unit.



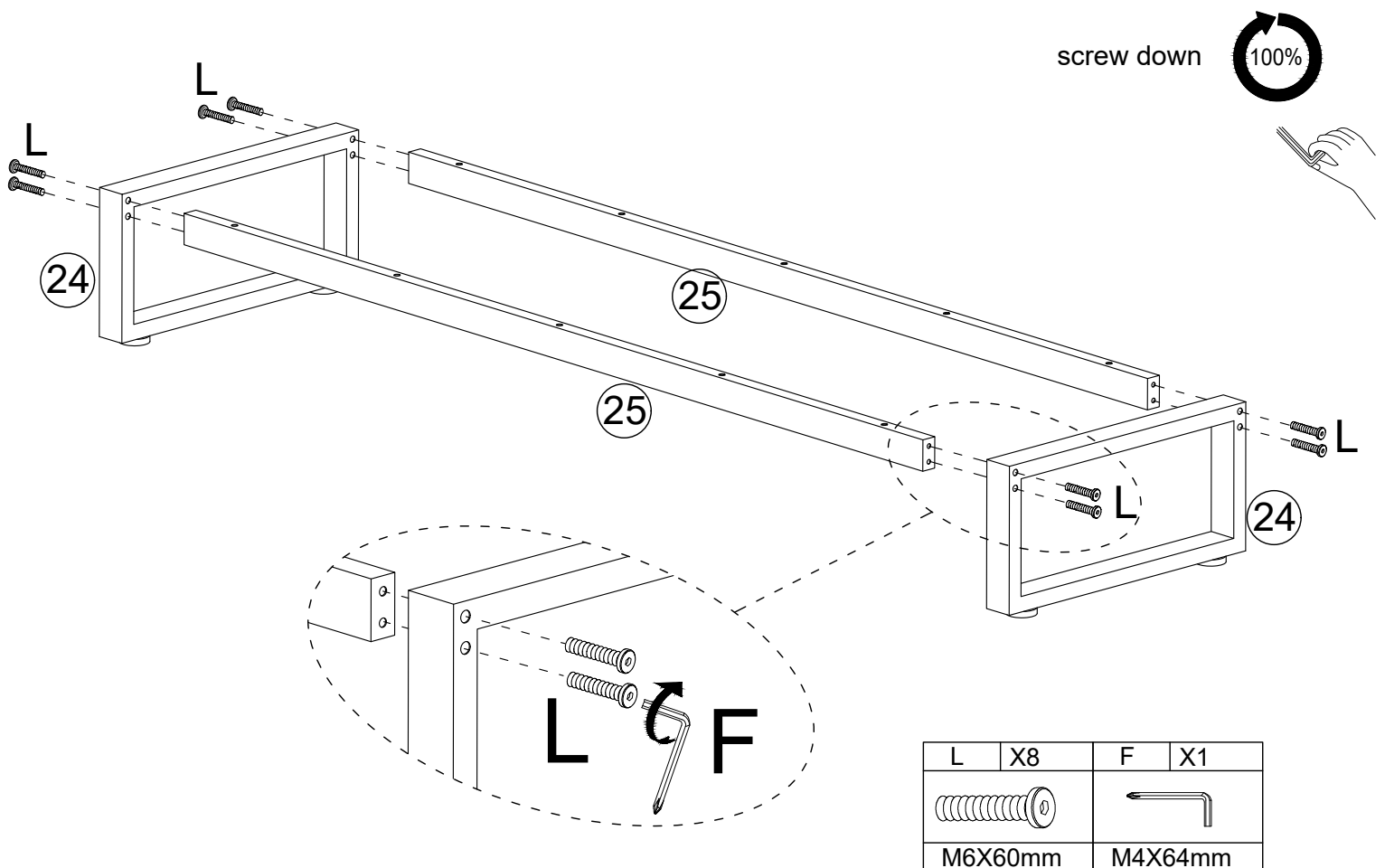
Read each step carefully before starting. It is very important that each step of instruction is performed in the correct order. If these steps are not followed in sequence, assembly difficulties will occur.



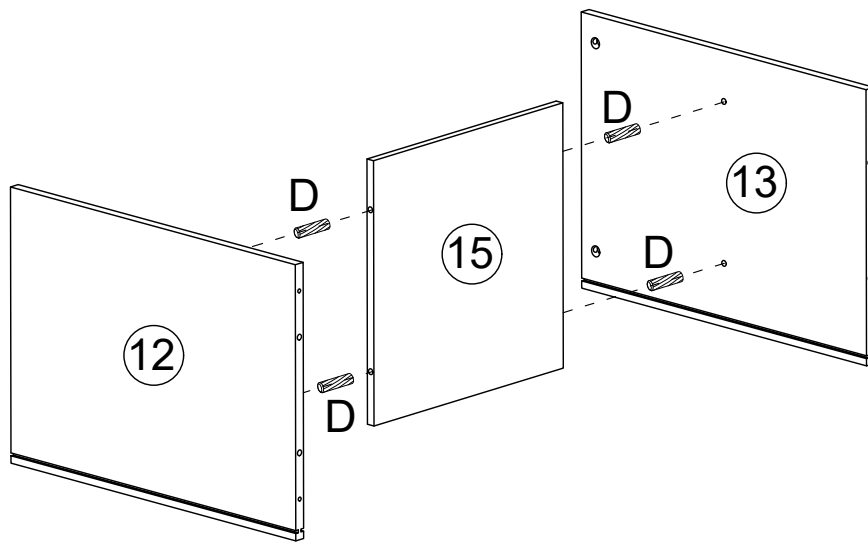
1




2

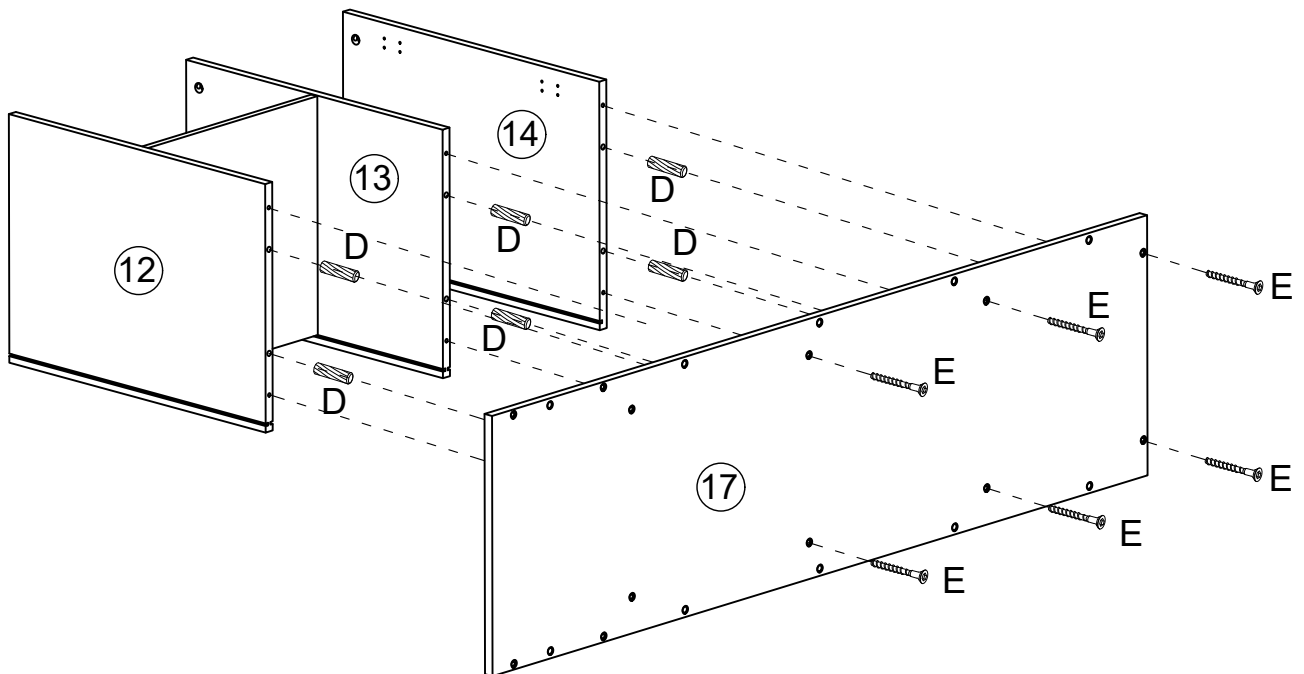



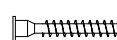
3



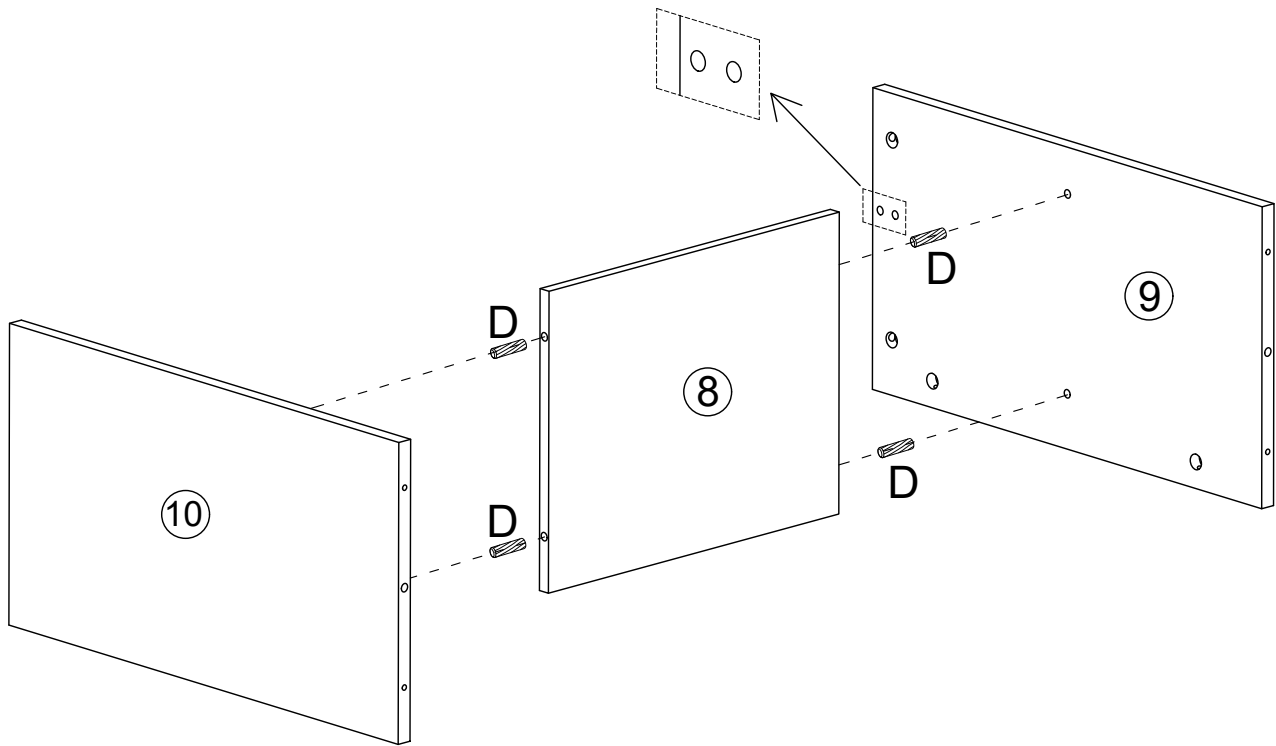
D	X4
	
$\text{Ø}8 \times 30 \text{mm}$	


4



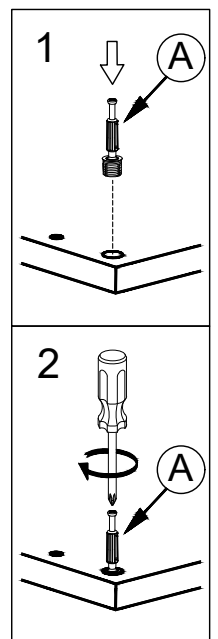
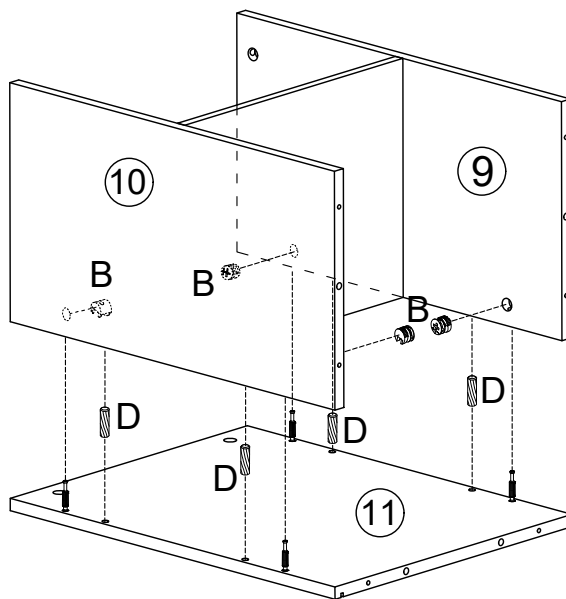
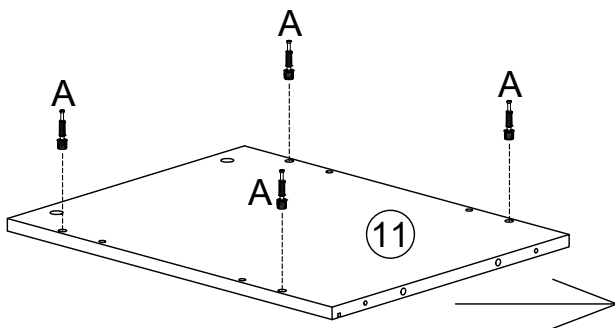
D	X6	E	X6
			
$\text{Ø}8 \times 30 \text{mm}$		$\text{Ø}7 \times 47 \text{mm}$	

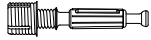


5



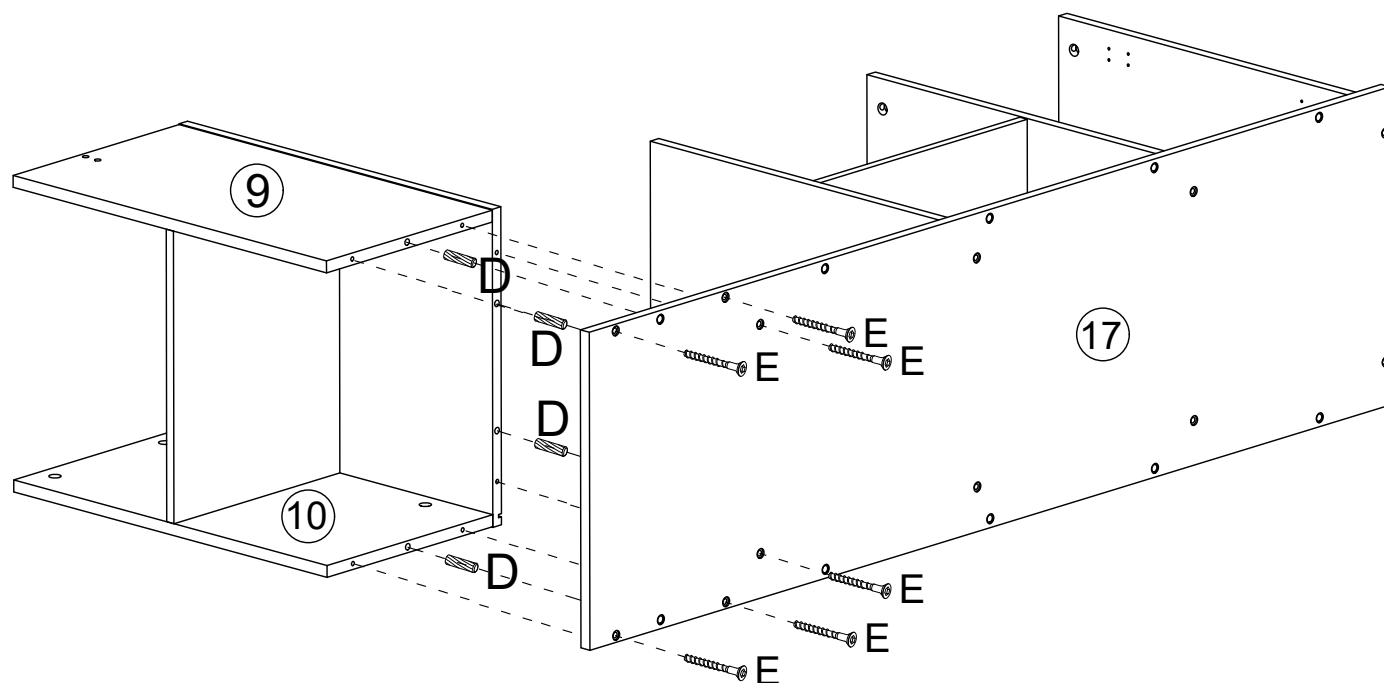
D	X4
	
Ø8X30mm	


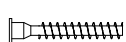
6



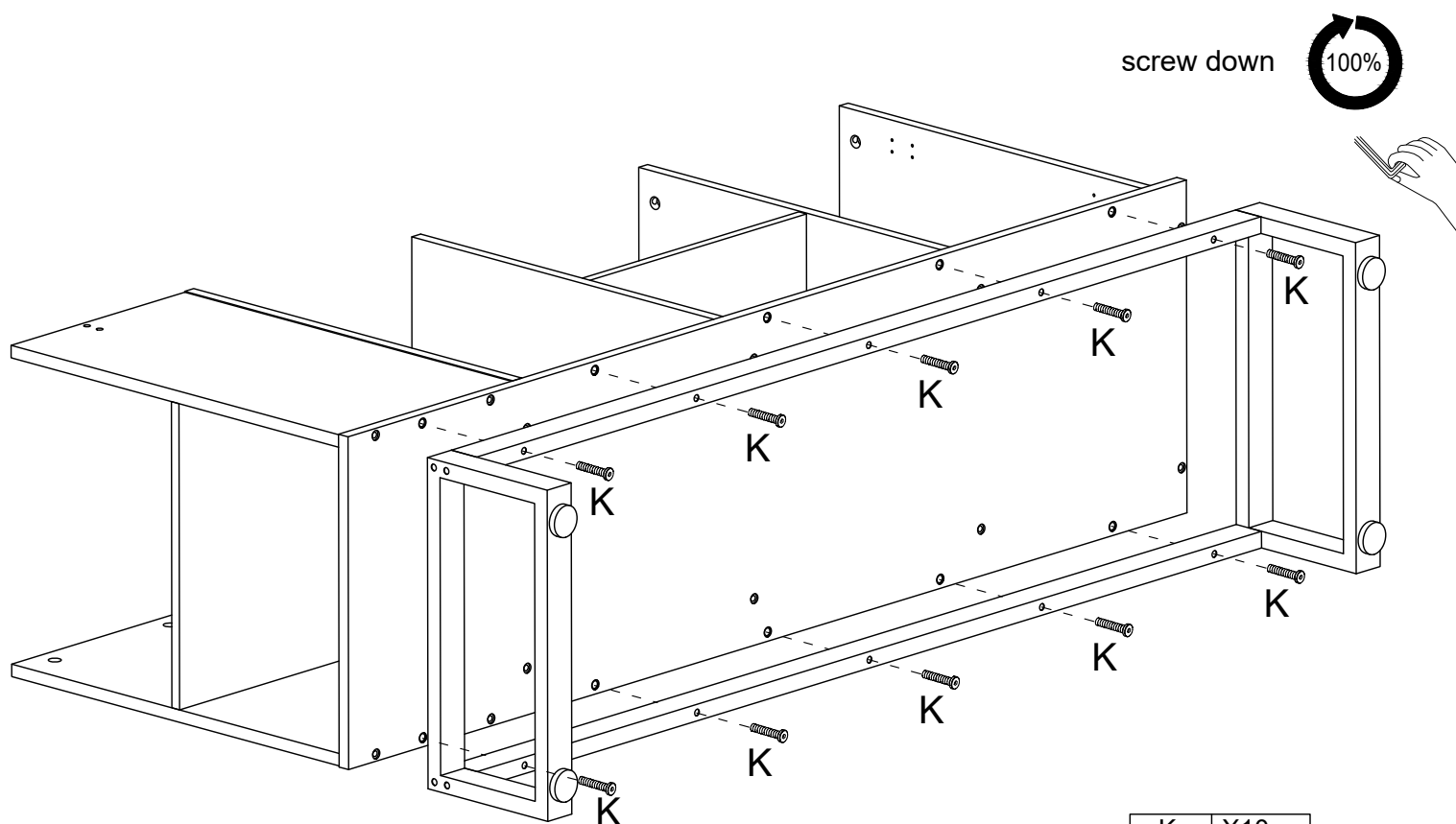
A	X4	B	X4	D	X4
					
Ø6X40mm		Ø15X12mm		Ø8X30mm	

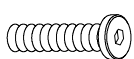
7



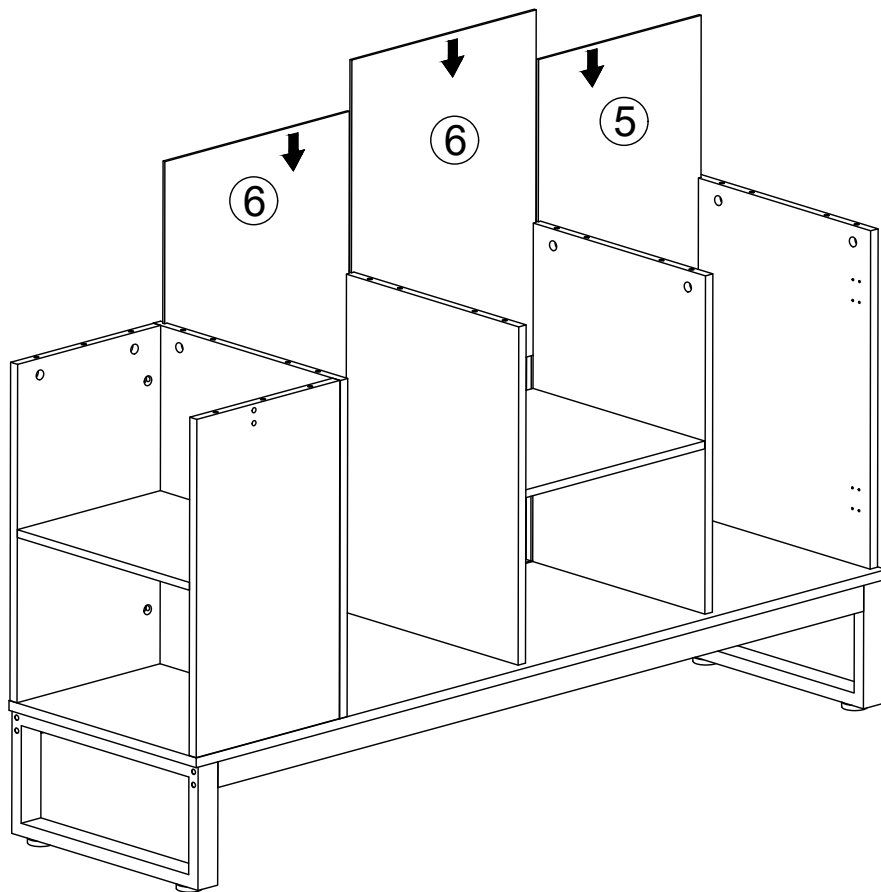
D	X4	E	X6
			
Ø8X30mm		Ø7X47mm	

8





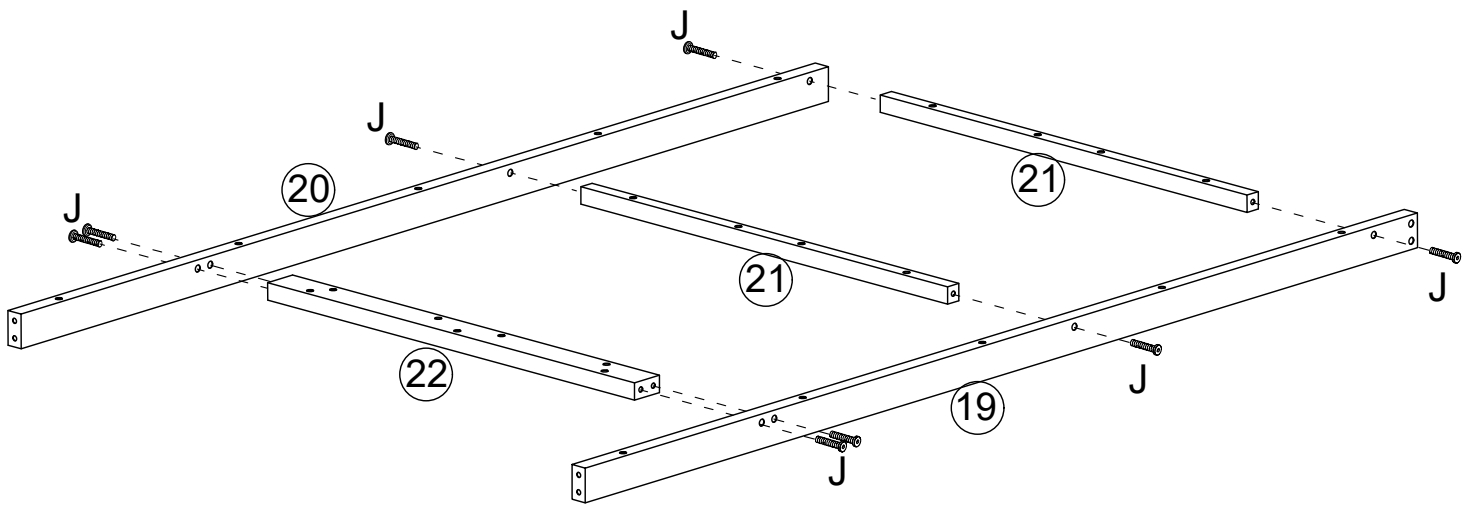
K	X10
	
M6X50mm	

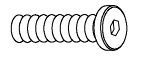
9



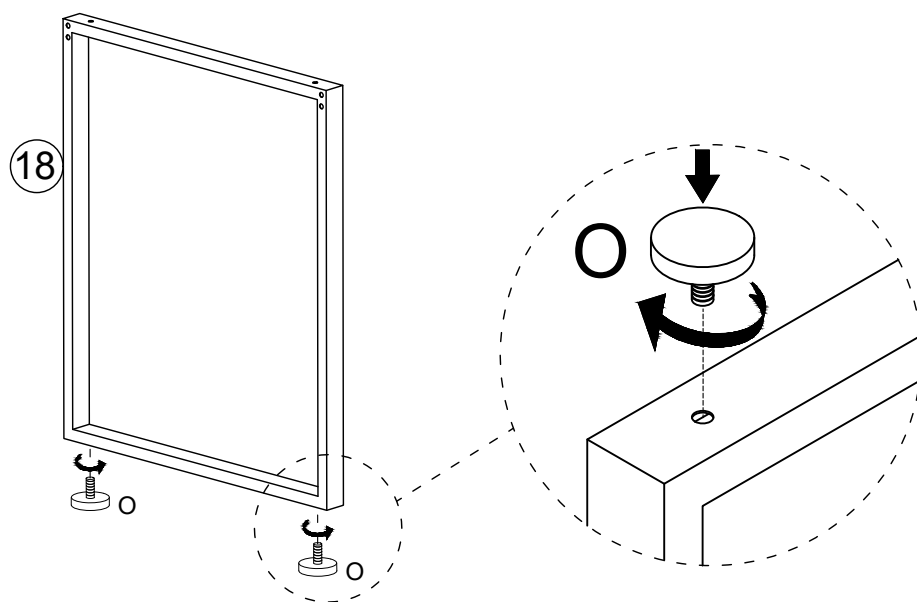
10

pre-drill 70% 




J	X8
	
M6X40mm	

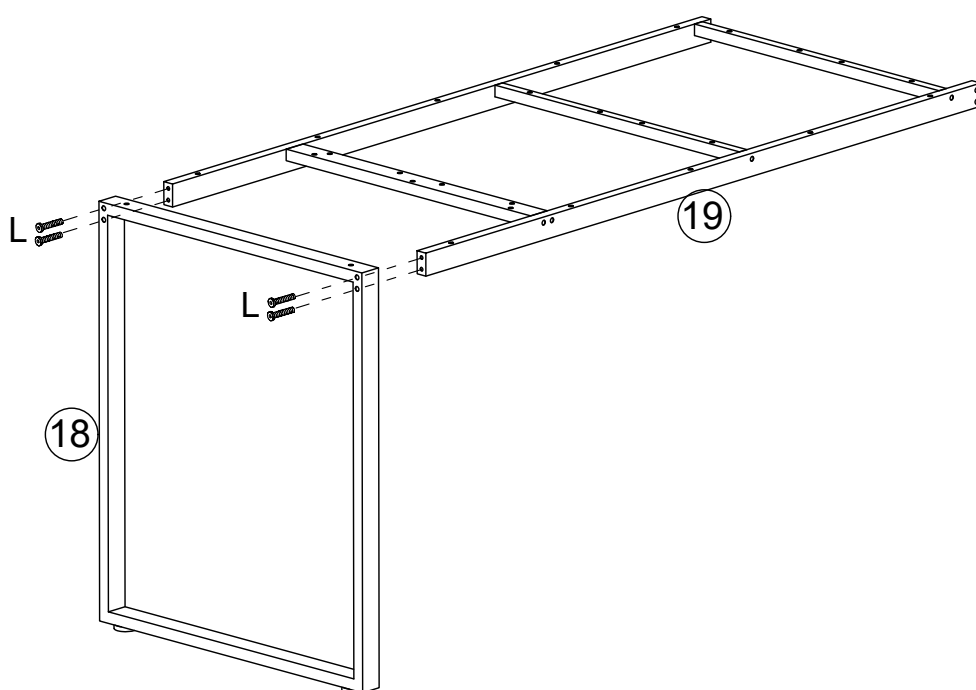
11



O	X2
M6XØ23mm	

12

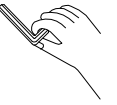
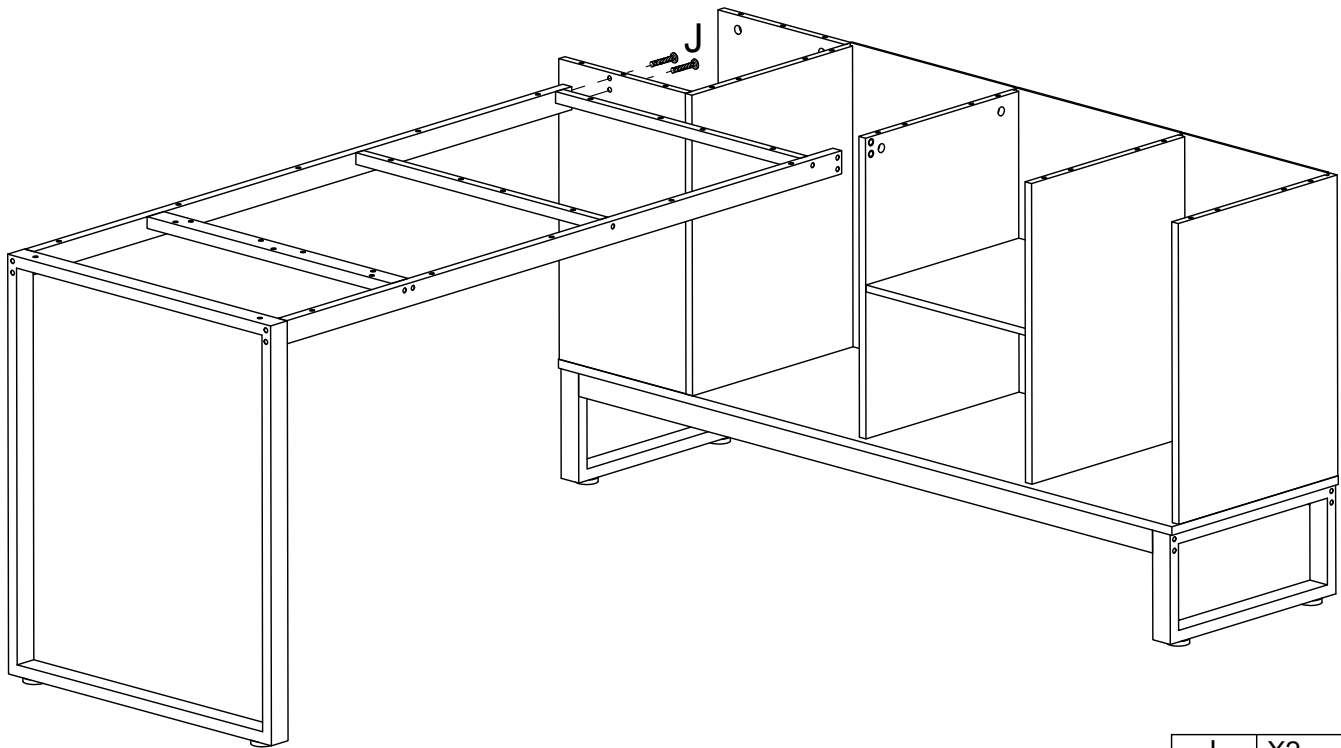
pre-drill 70%



L	X4
M6X60mm	

13

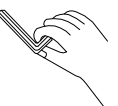
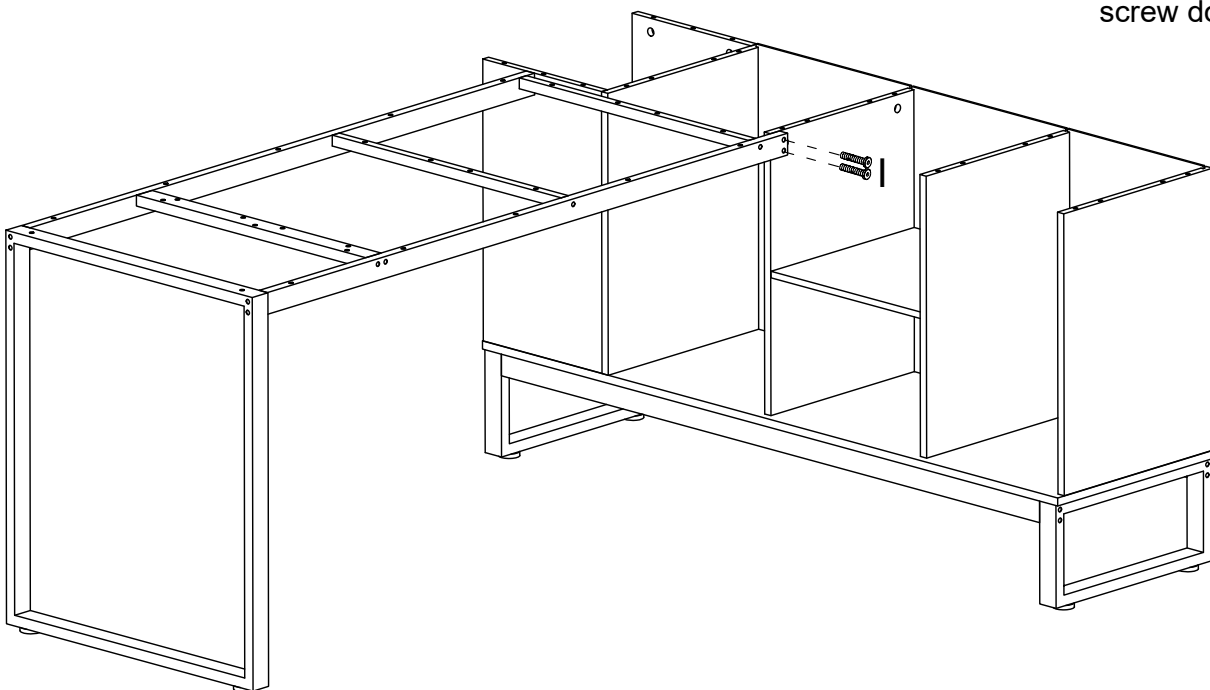
pre-drill 70%



J	X2
M6X40mm	

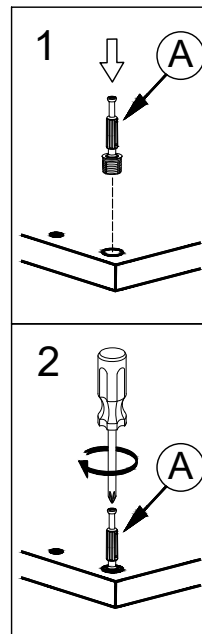
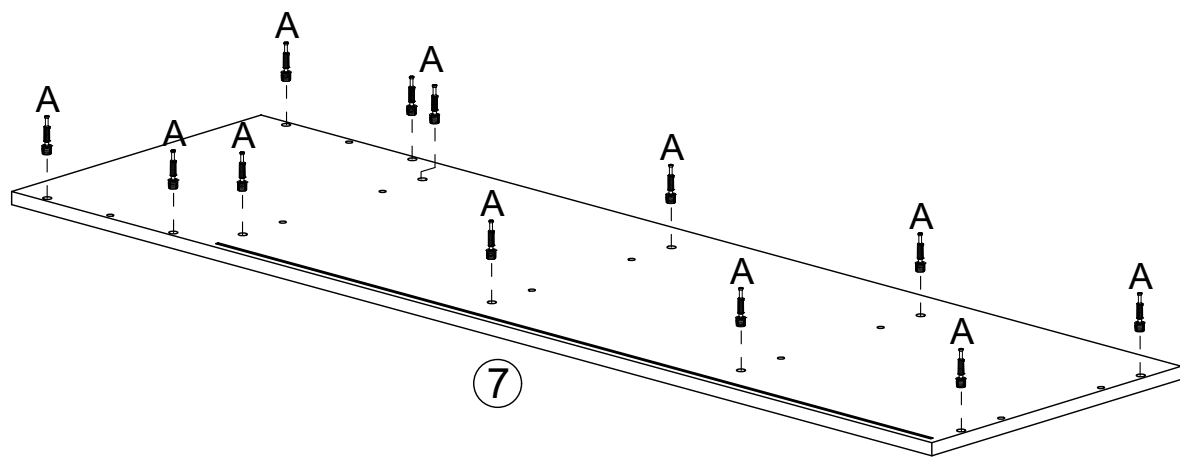
14

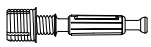
screw down



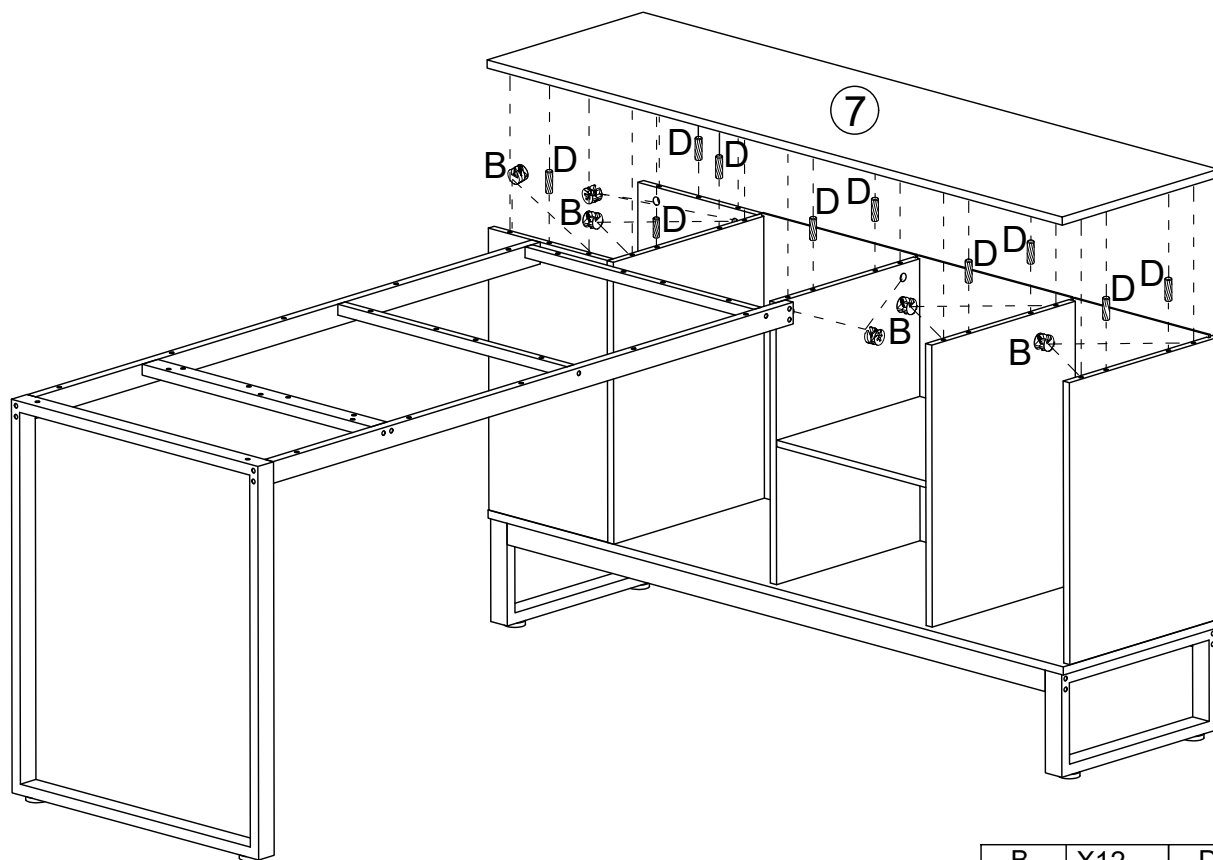
I	X2
M6X30mm	



15



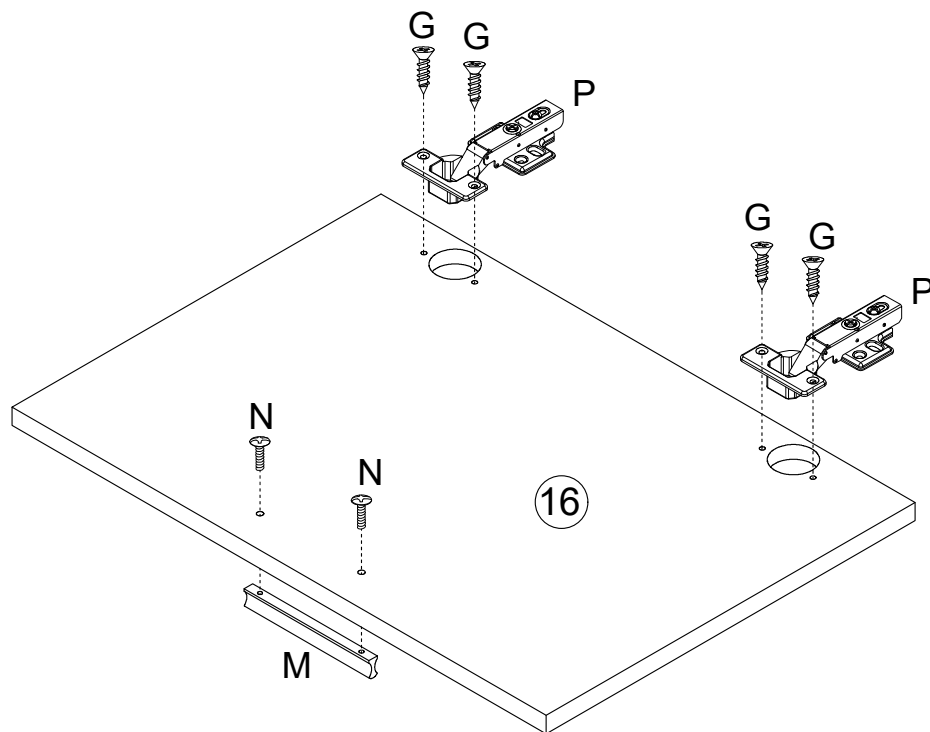
A	X12
	
Ø6X40mm	

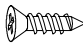


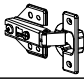
16



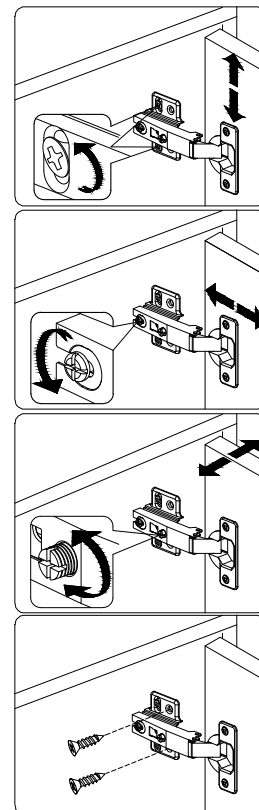
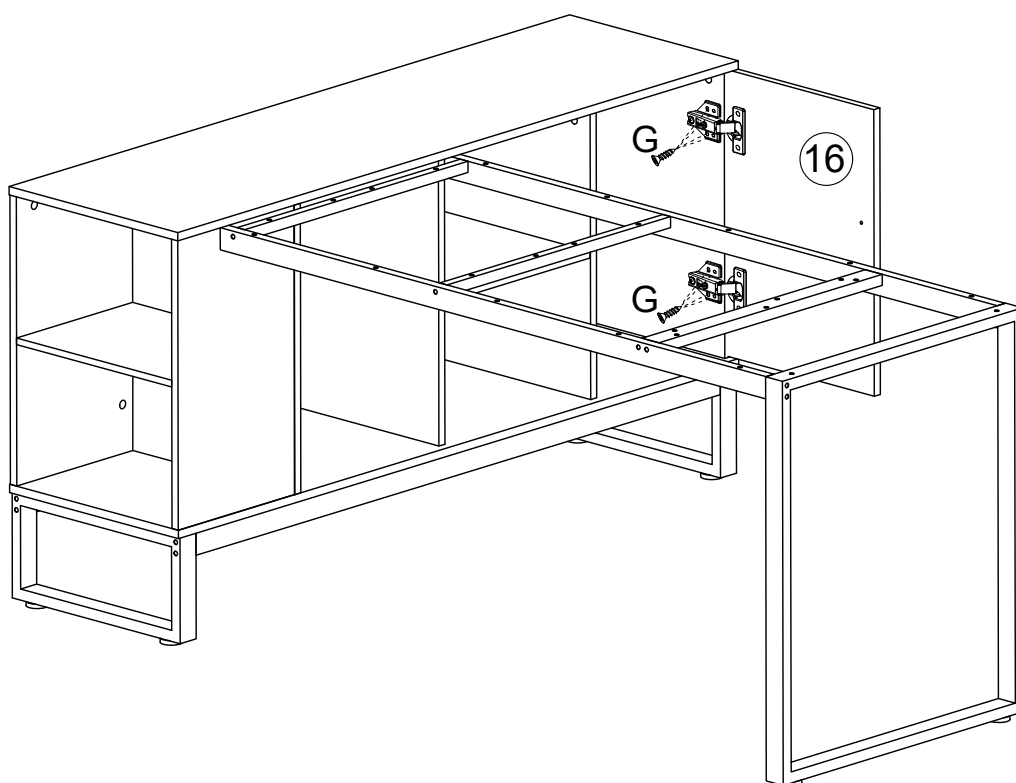
B	X12	D	X10
			
Ø15X12mm		Ø8X30mm	


17



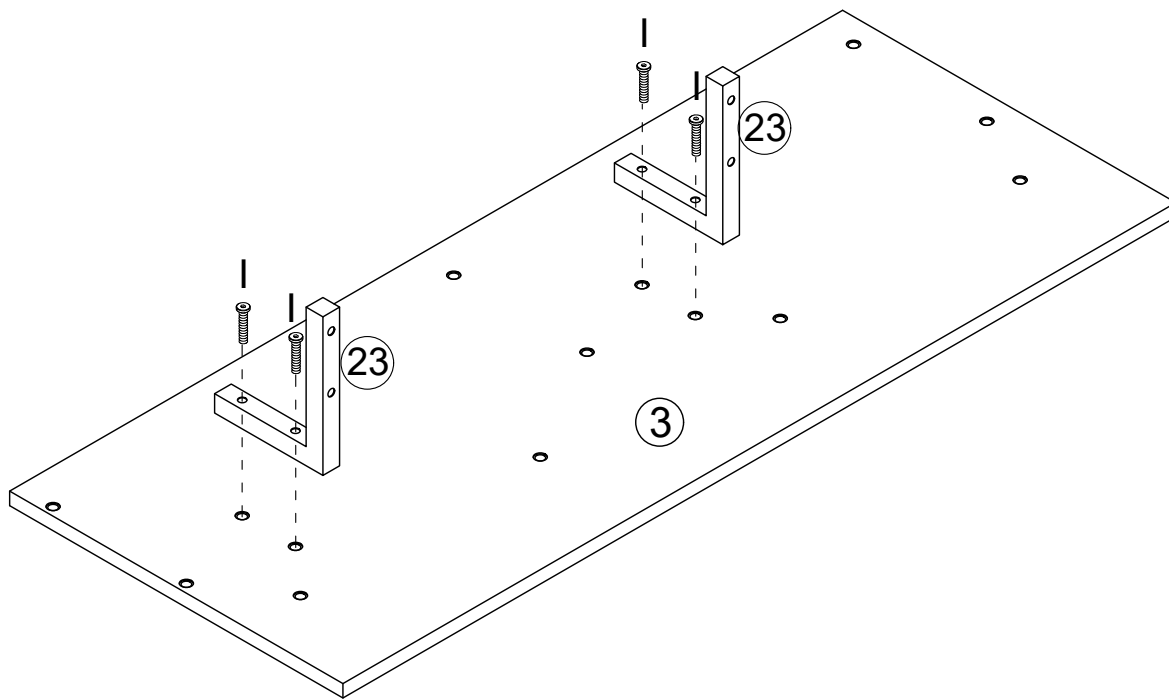
G	X4	M	X1	N	X2	P	X2
							
3.5X14mm		106X16X8mm		M4X18mm			


18



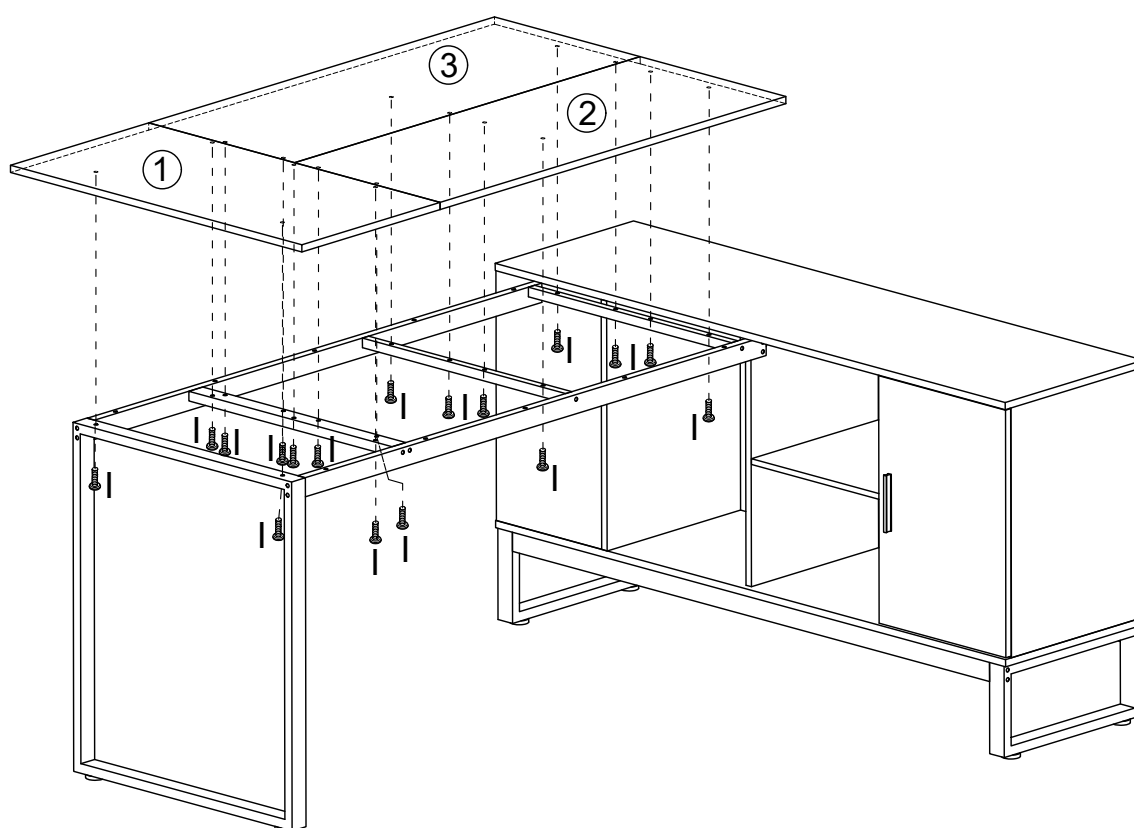
G	X8
	
3.5X14mm	

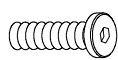
19



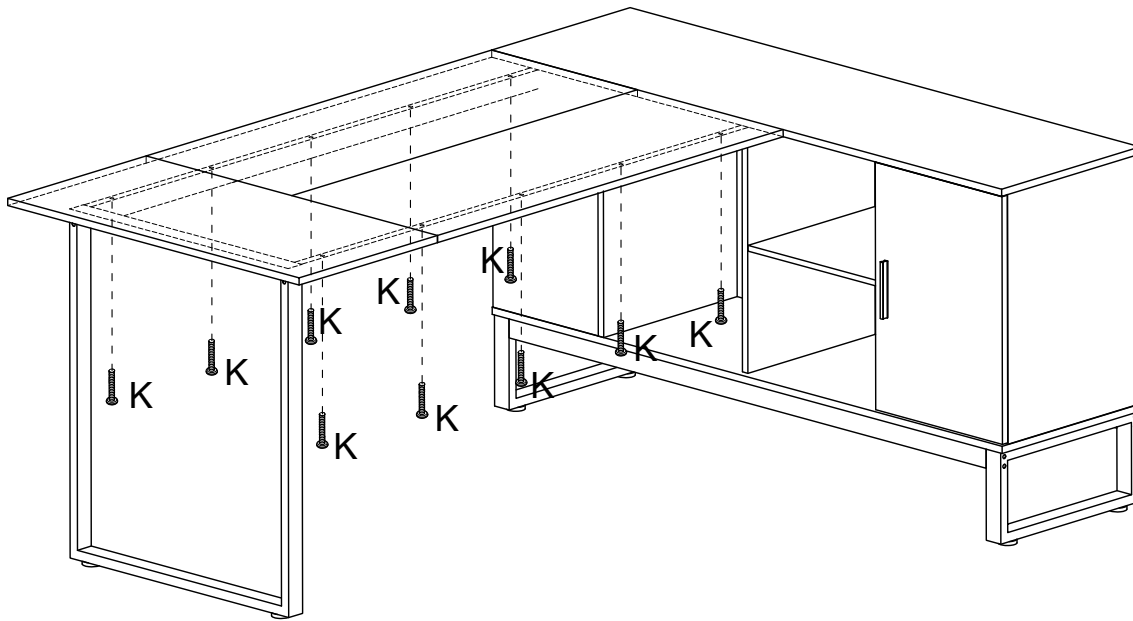
I	X4
	
M6X30mm	

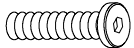
20



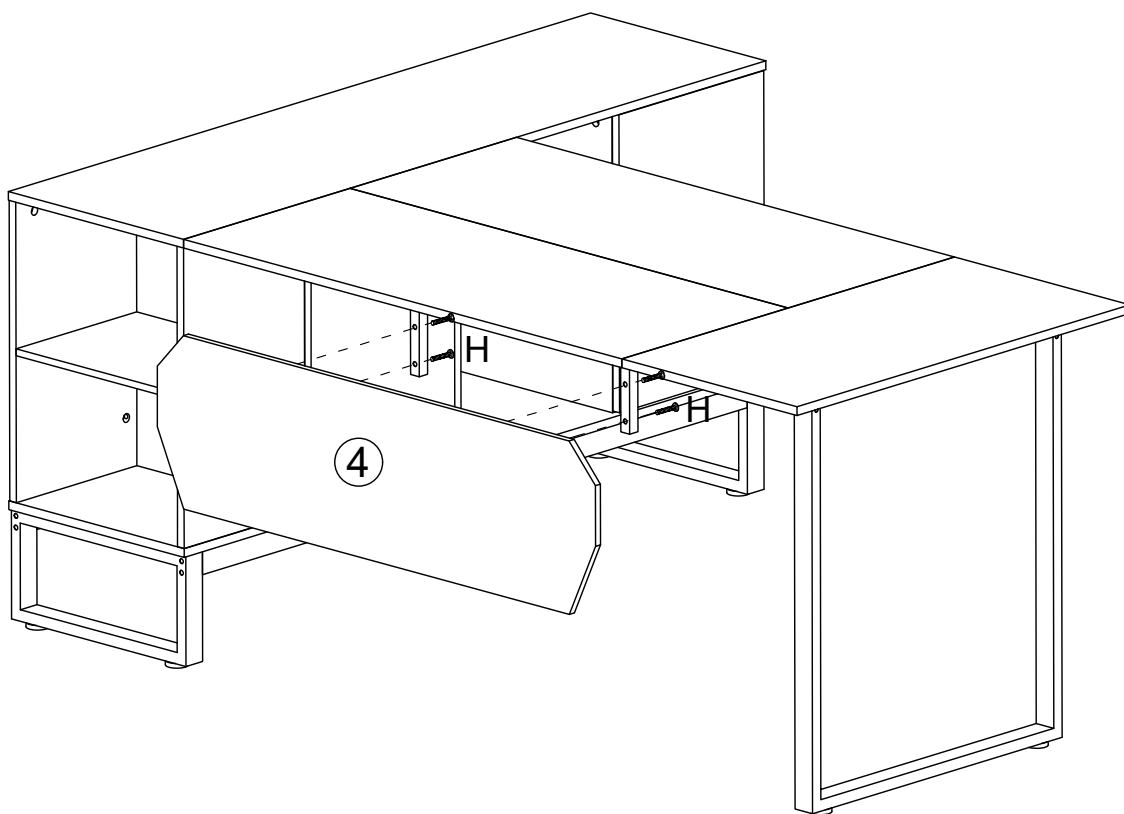
I	X17
	
M6X30mm	

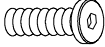
21



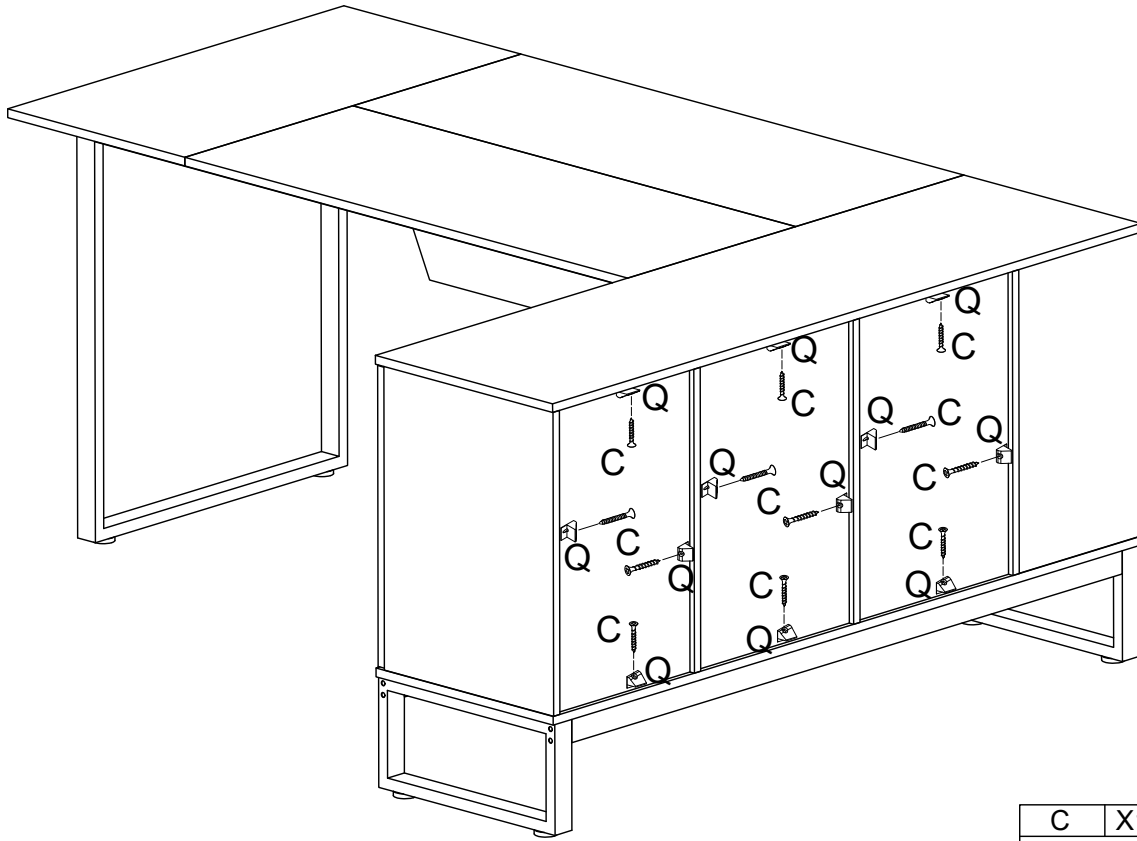
K	X10
	
M6X50mm	


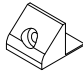
22



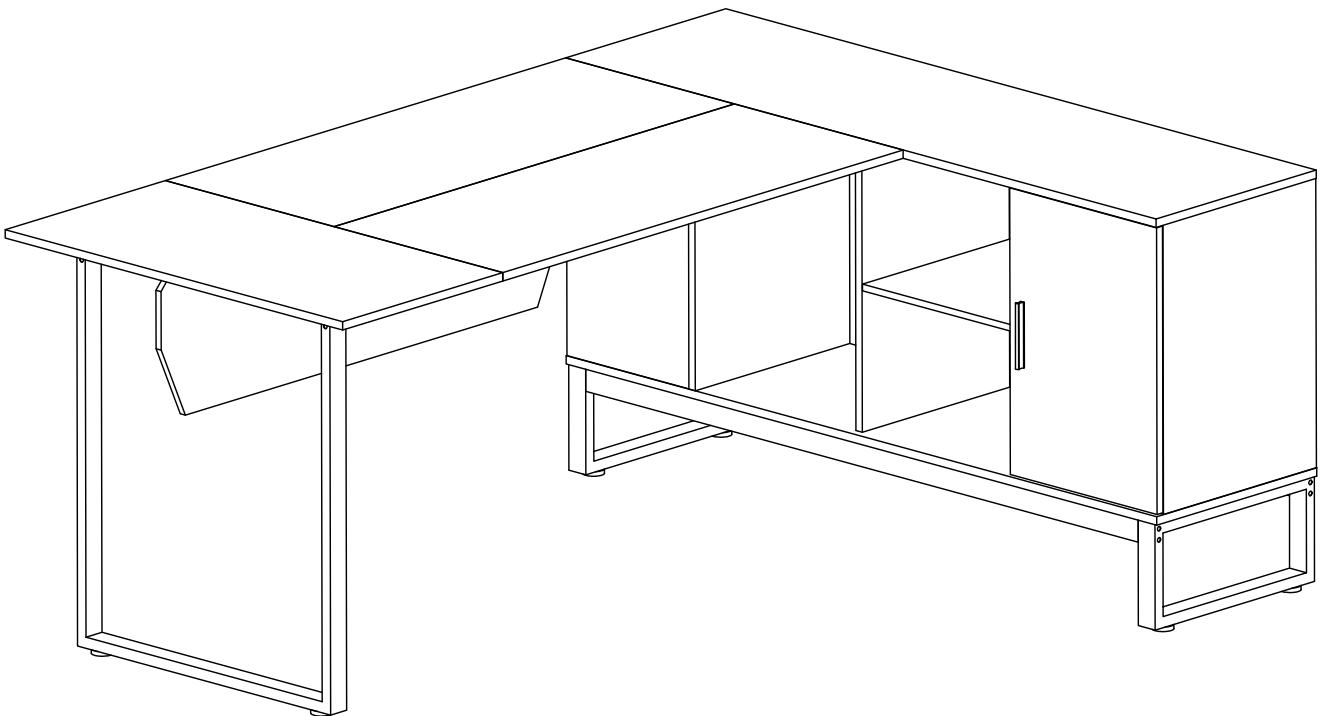
H	X4
	
M6X25mm	

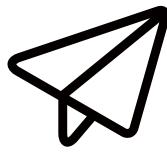
23



C	X12	Q	X12
			
3X18mm		17x16x10.5	

24





No heartburn, when we handle the return

Our way



Replacement/Refund



You

Their way



Re-package item



Schedule pick-up



Track package



Replacement



You

Contact our customer service team