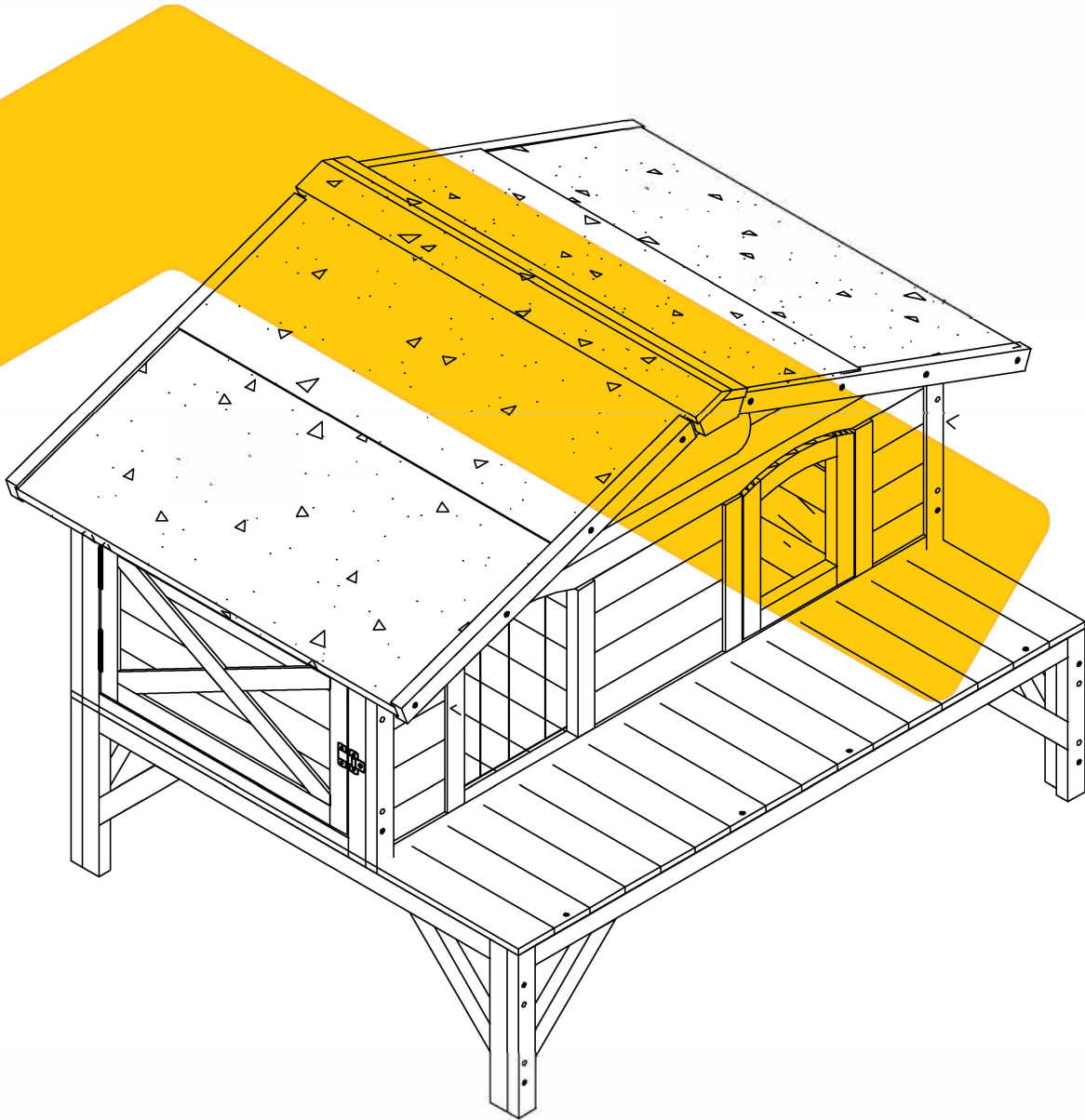


INSTRUCTION MANUAL





NOTICE

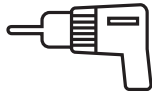
Please retain these instructions for future reference.

- Firmly secure all bolts, screws and knobs before use.
- Reconfirm that all bolts, screws, and knobs are secure every 90 days.
- Fasten screws loosely during initial assembly. Do not fully tighten screws until the item is completely assembled.
- Do not use or store this item in the proximity of open flame or flammable/combustible chemicals.
- Be aware that some parts are heavy and have sharp edges.
- Be aware that moving parts can injure, crush and cut.
- If any parts are missing, broken, damaged, or worn, stop using this product until repairs are made and/or factory replacement parts are installed.
- Do not use this item in a way inconsistent with the manufacturer's instructions as this could void the product warranty.

TOOLS REQUIRED //



PHILLIPS
SCREWDRIVER



DRILL
(RECOMMENDED)



2PERSON
ASSEMBLY



APPROXIMATELY
30MIN. ASSEMBLY

HARDWARE //

M3.5x50mm SCREW
4PCS+1spare



P1

M3.5x40mm SCREW
16PCS+1spare



P2

M3.5x35mm SCREW
24PCS+1spare



P3

M3.5x25mm SCREW
4PCS + 1spare



P4

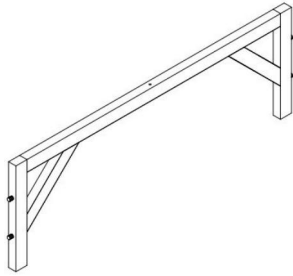
M3.0x16mm SCREW
12PCS + 1spare



P5

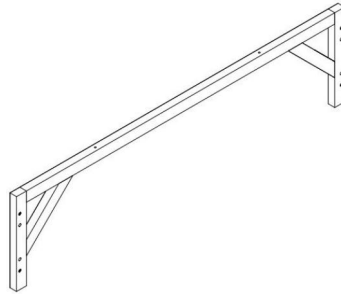
PARTS

Bottom legs-shorter
2PCS



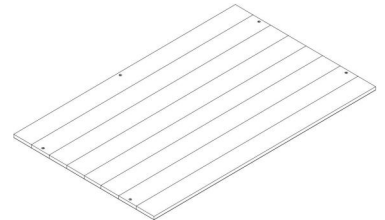
A

Bottom legs-longer
2PCS



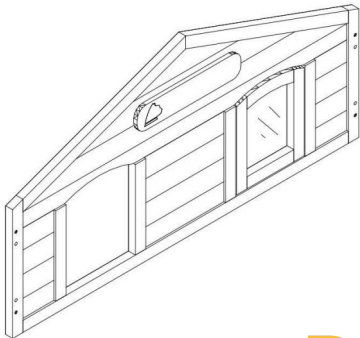
B

Layer
2PCS



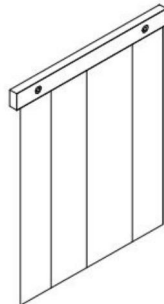
C

Front Panel
1PC



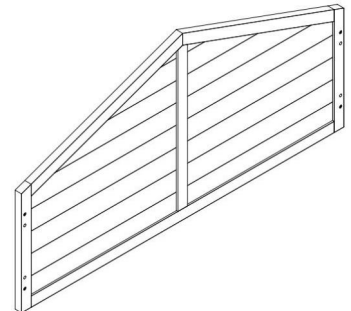
D

Curtain
1PC



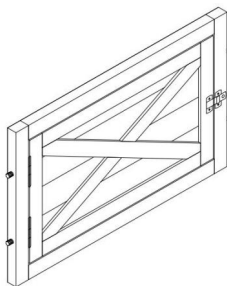
E

Back Panel
1PC



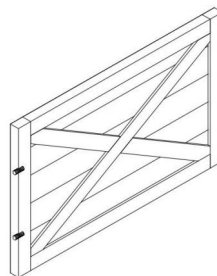
F

Left Panel
1PC



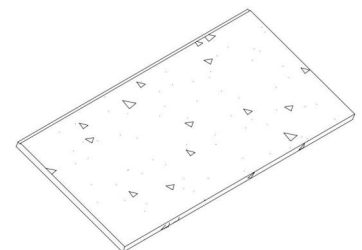
G

Right Panel
1PC



H

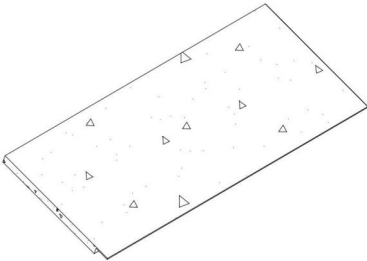
Roof
2PCS



I

PARTS

Roof
2PCS



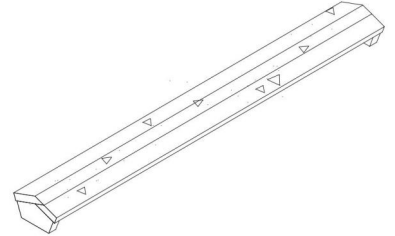
J

Connecting Bar
4PCS



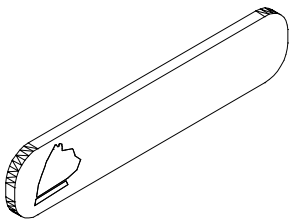
K

Roof Cap
1PC



L

Nameplate-Written
Freely

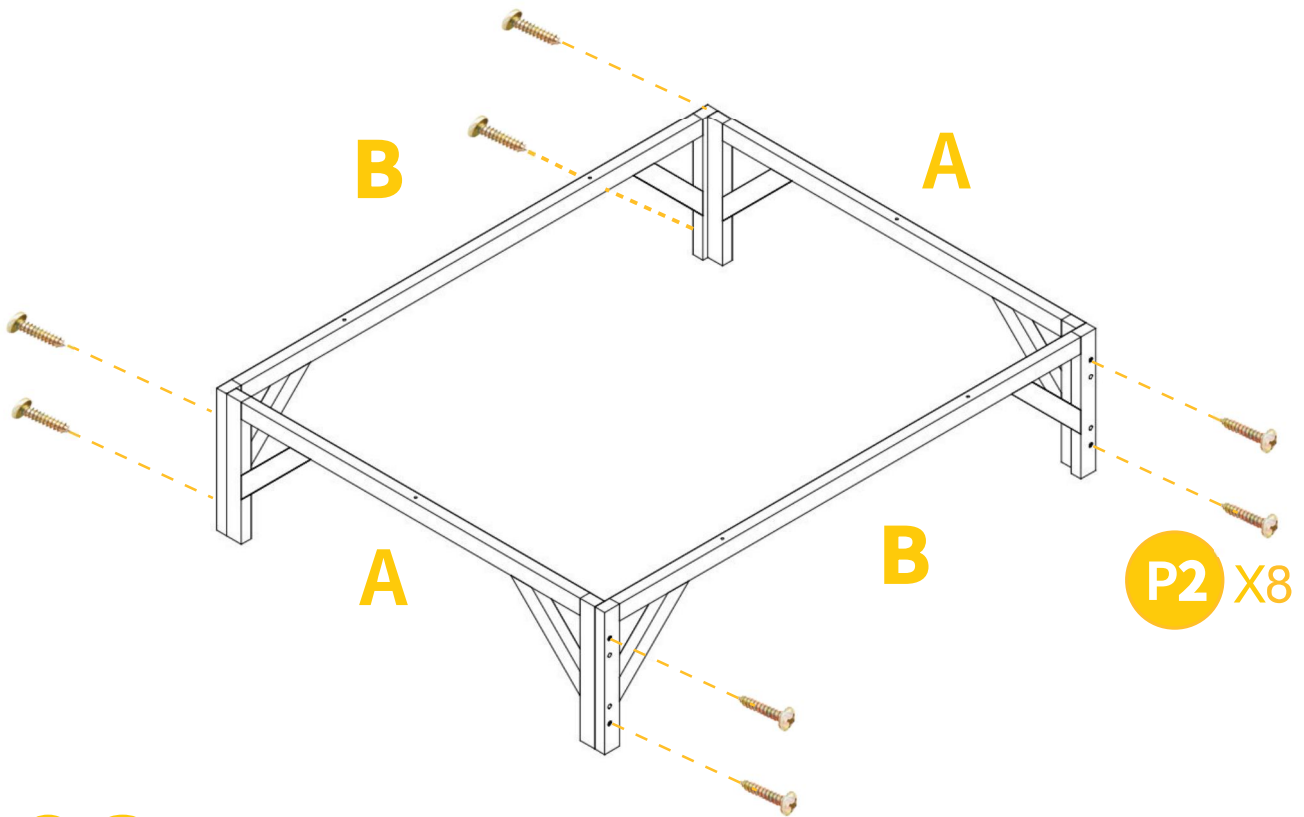


PRODUCT ASSEMBLY

01

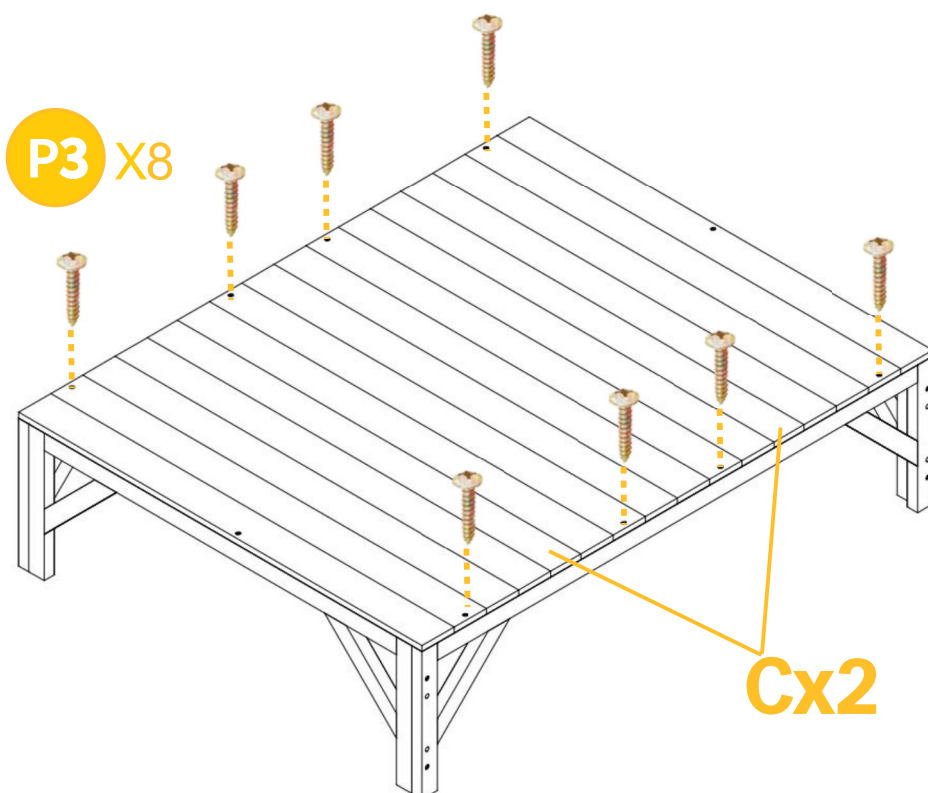
Attach the bottom part.

Attach the bottom legs Part A & B by 8xP2 screws.



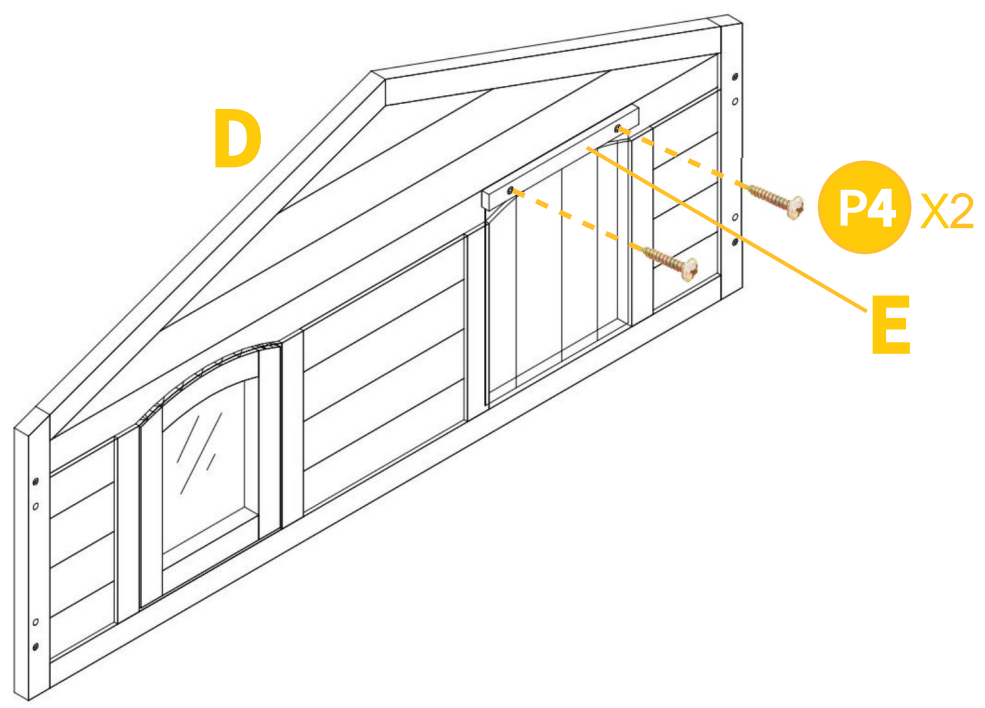
02

Attach the layer 2xPart C to the bottom frame by 8xP3 screws.

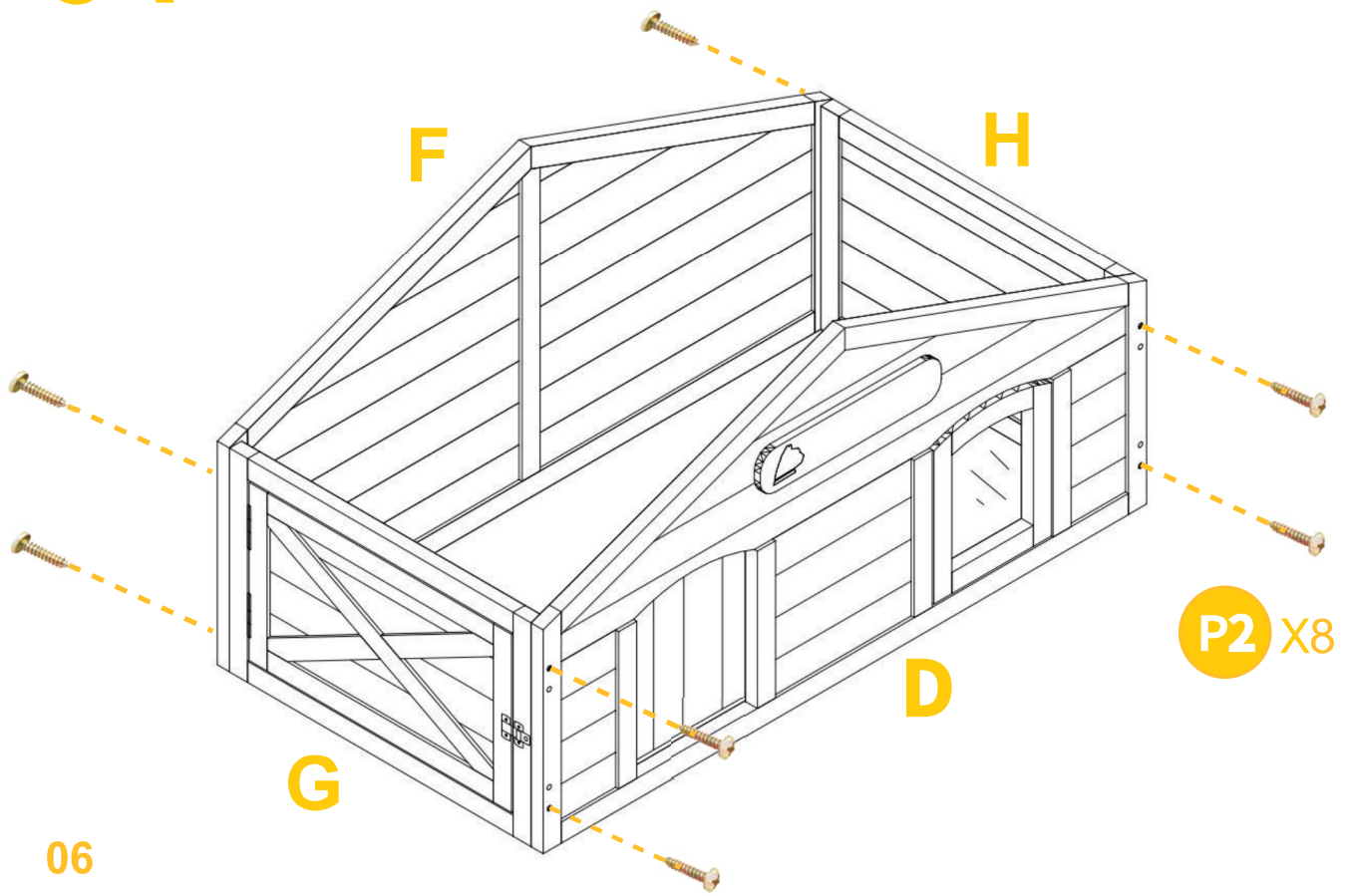


PRODUCT ASSEMBLY

03 Attach the curtain Part E to front panel Part D from inside by 2xP4 screws.

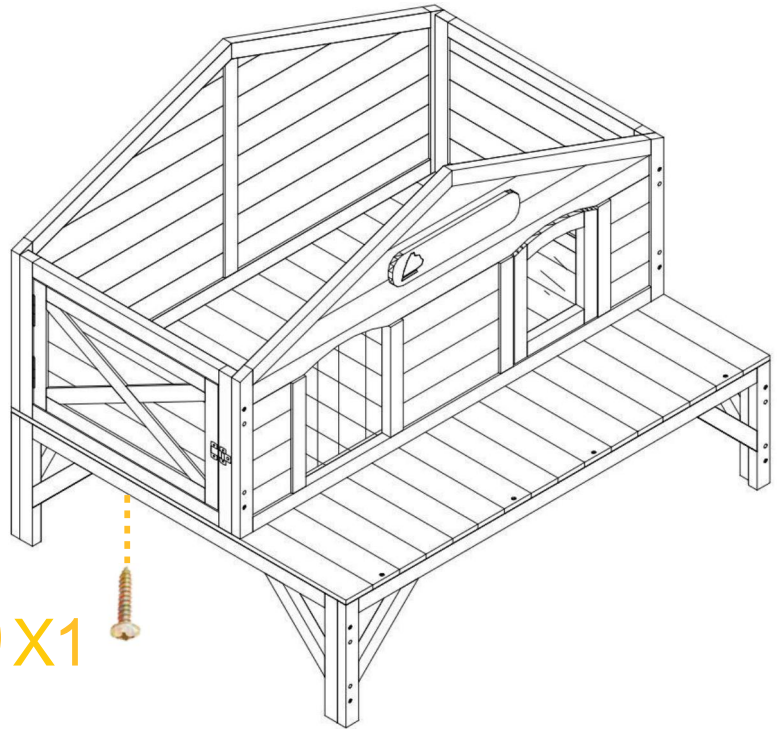
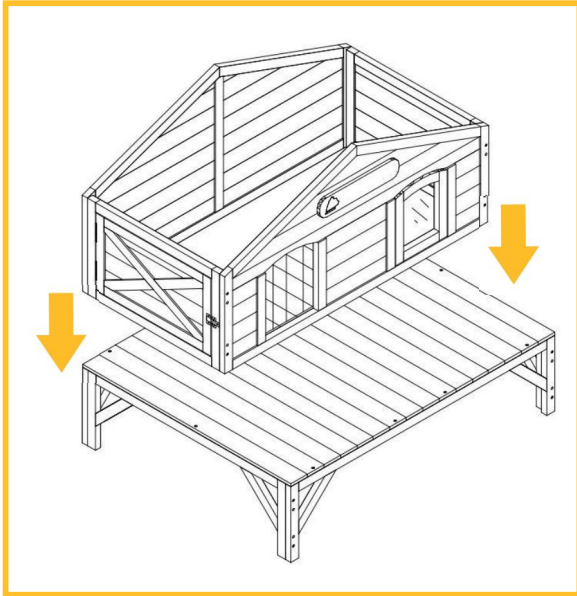


04 Attach the Part D,F,G,H by 8xP2 screws.

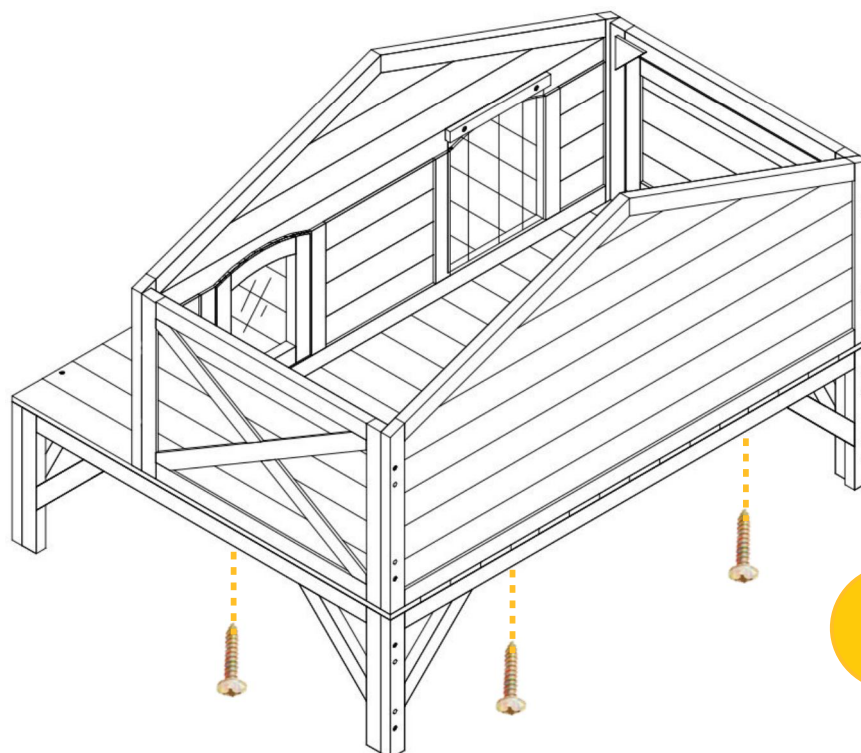


PRODUCT ASSEMBLY

05 Attach the upper part to bottom part by 4xP1 screws.



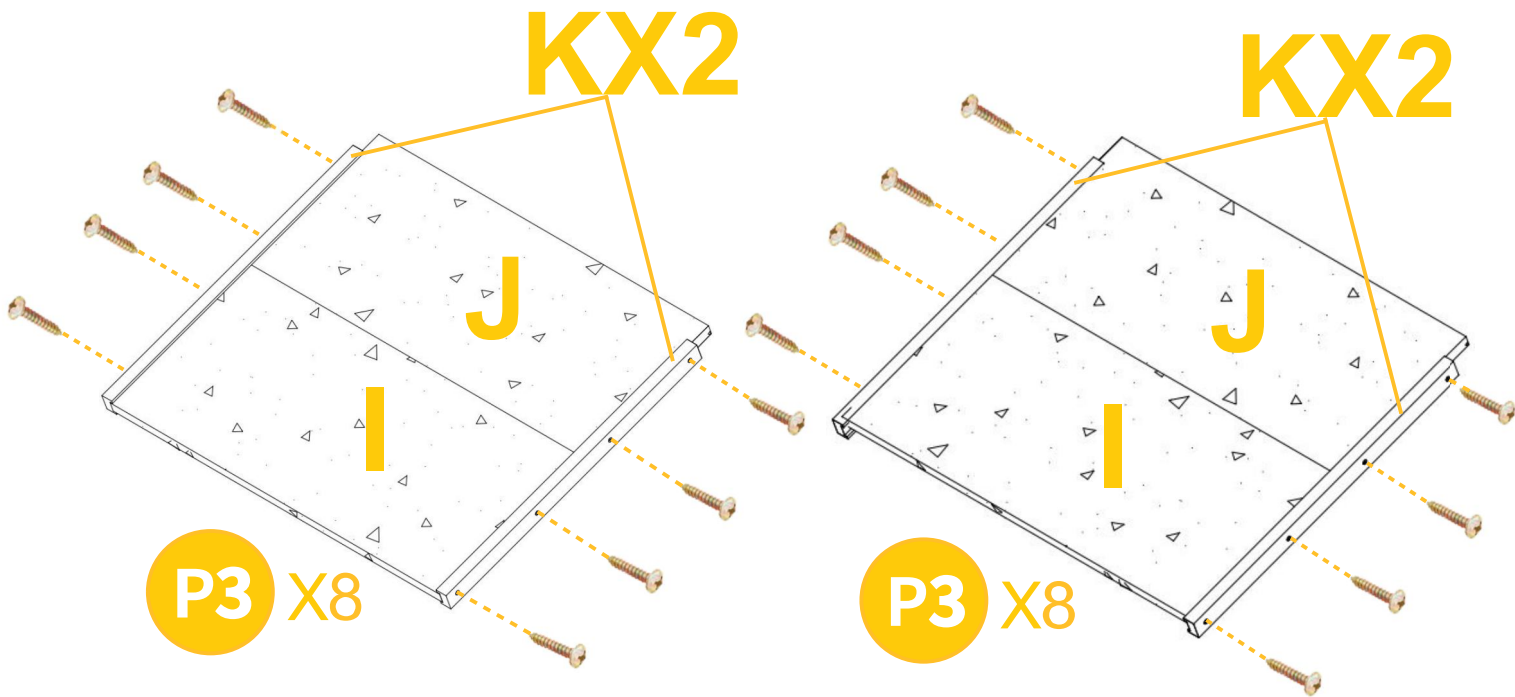
P1 X1



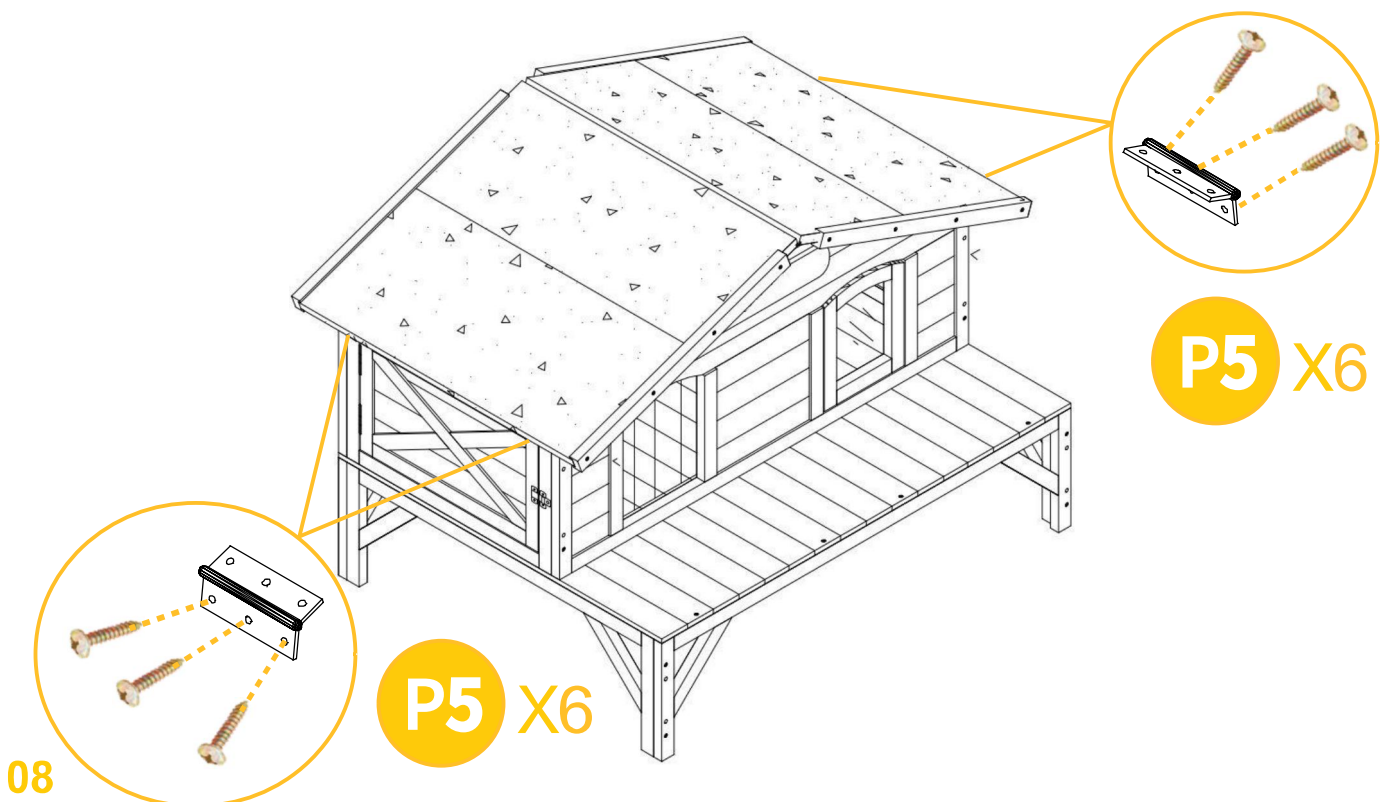
P1 X3

PRODUCT ASSEMBLY

06 Connect the roof Part I & J with connecting bar Part K by 8xP3 screws each.
(Notice do not confuse the position of Part I & Part J)



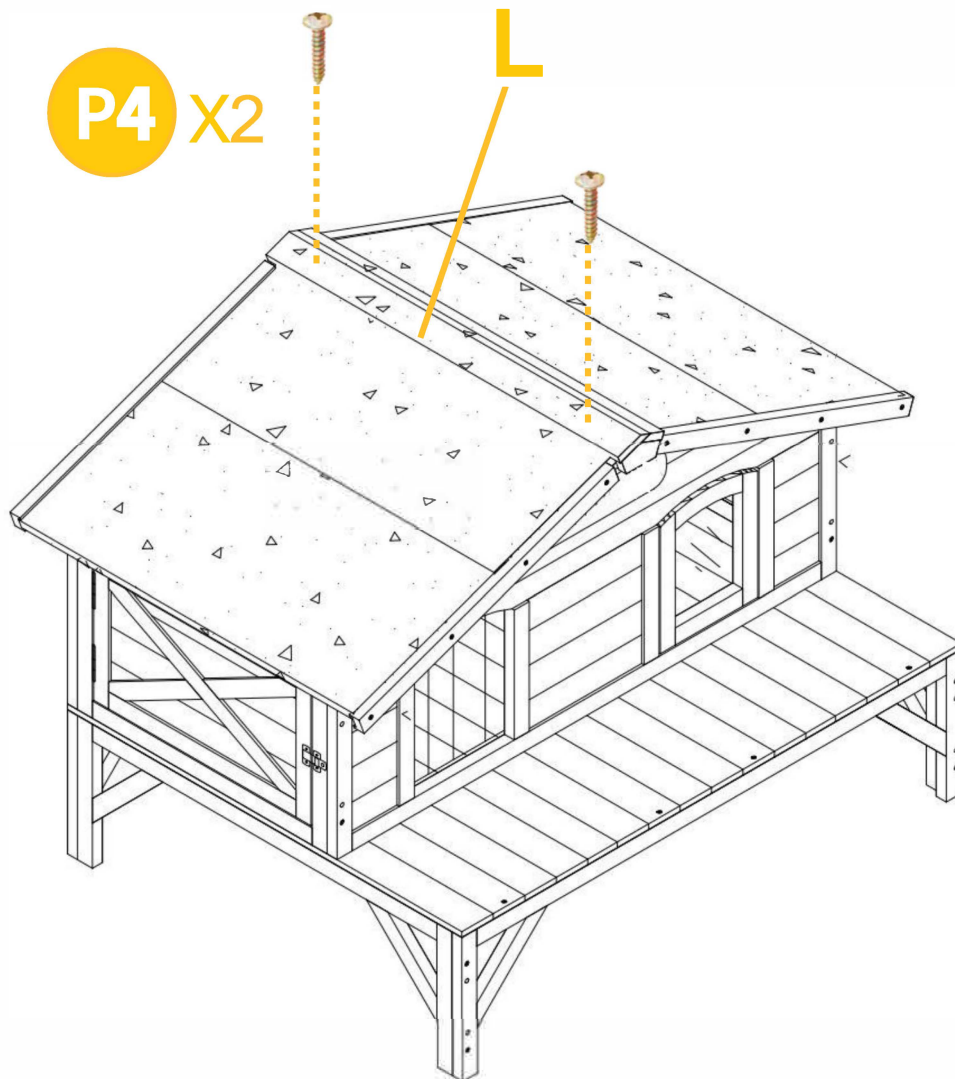
07 Attach the roof part to house by 6xP5 screws each side.



08

PRODUCT ASSEMBLY

08 Attach the roof cap Part L to the roof by 2xP4 screws.



Finish



WARNING

Manufacturer and seller expressly disclaim any and all liability for personal injury, property damage or loss, whether direct, indirect, or incidental, resulting from the incorrect attachment, improper use, inadequate maintenance, or neglect of this product.