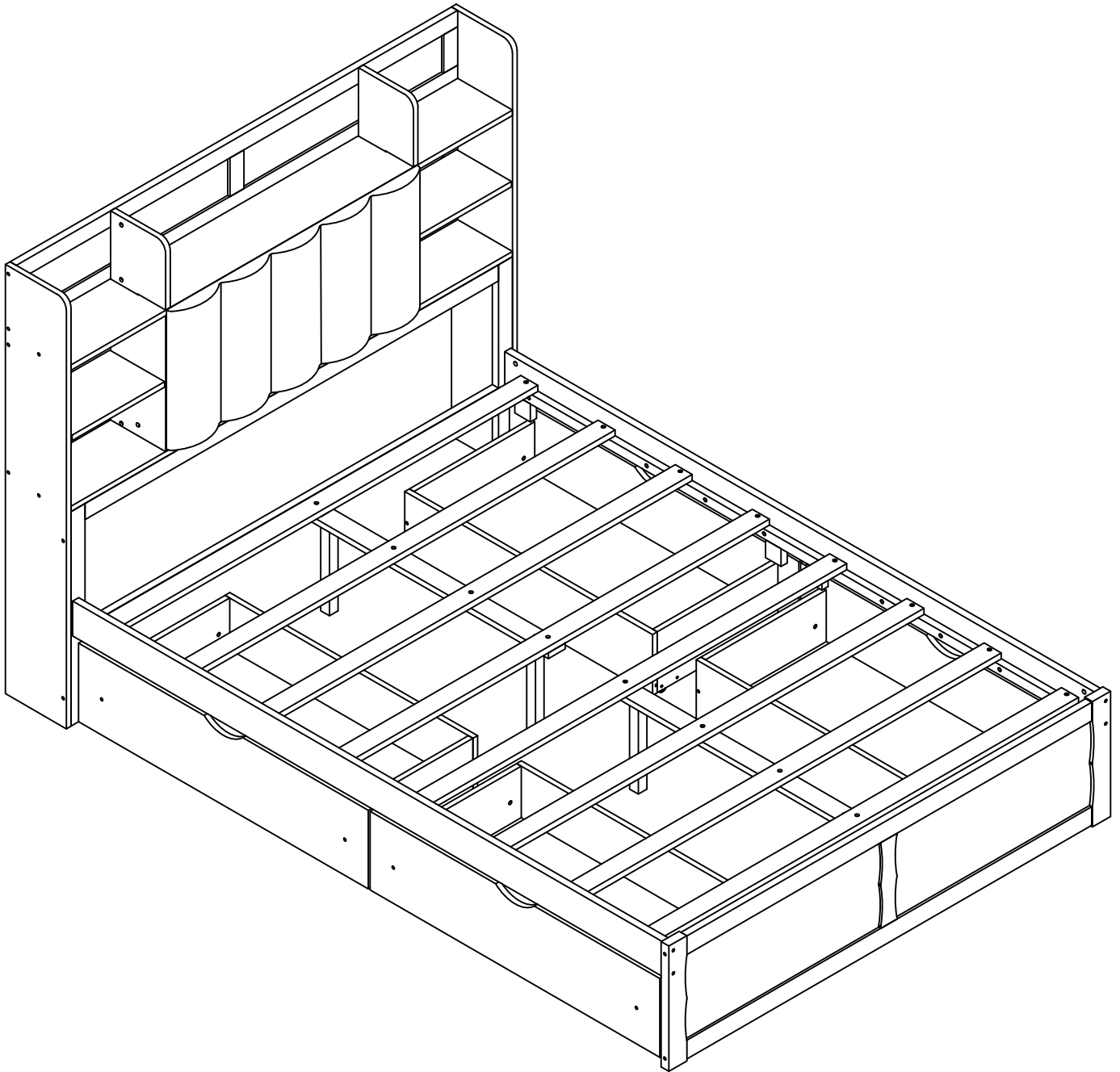


ASSEMBLY INSTRUCTIONS

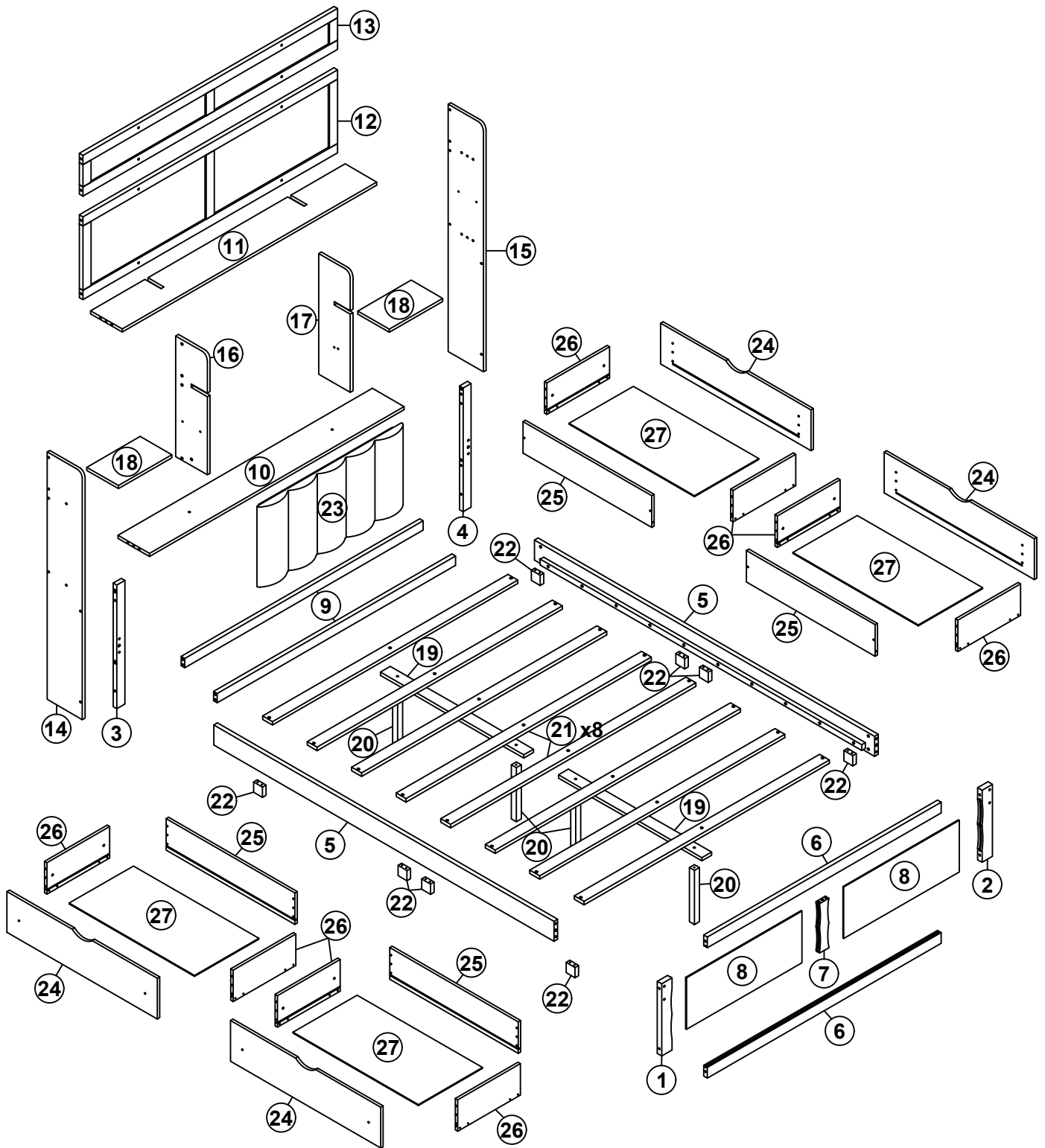
FULL SIZE WOODEN BED WITH ALL - IN - ONE CABINET,
SHELF & 4 DRAWERS



JBSP0822006-P1/JBSP0822006-P2

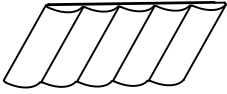


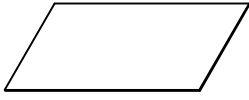

JBSP0822007-P1/JBSP0822007-P2

ASSEMBLY INSTRUCTIONS

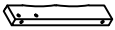
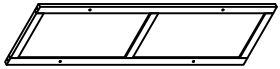

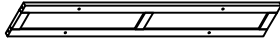

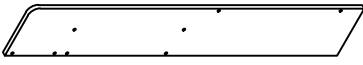

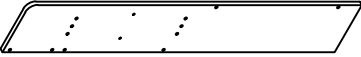

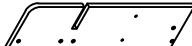
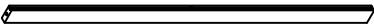
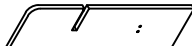



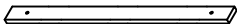
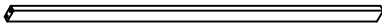
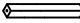
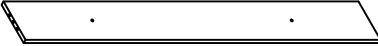

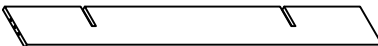



ASSEMBLY INSTRUCTIONS

JBSP0822006-P1/JBSP0822007-P1






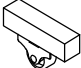

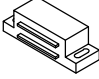







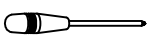
23	Bedside mattress 	1pc	26	Side drawers 	8pcs
24	Front drawers 	4pcs	27	Bottom drawers 	4pcs
25	Back drawers 	4pcs	28		

JBSP0822006-P2/JBSP0822007-P2 (Hardware in this SKU)

1	Leg 	1pc	12	Back bottom shelves 	1pc
2	Leg 	1pc	13	Back top shelves 	1pc
3	Leg 	1pc	14	Left side shelves 	1pc
4	Leg 	1pc	15	Right side shelves 	1pc
5	Side rails 	2pcs	16	Side shelves 	1pc
6	Footboard top and bottom rail 	2pcs	17	Side shelves 	1pc
7	Footboard support 	1pc	18	Shelves panels 	2pcs
8	Footboard panel 	2pcs	19	Center rails 	2pcs
9	Headboard panels rail 	2pcs	20	Center rails support legs 	4pcs
10	Shelves bottom panels 	1pc	21	Slats 	8pcs
11	Shelves top panels 	1pc	22	Support drawer 	8pcs

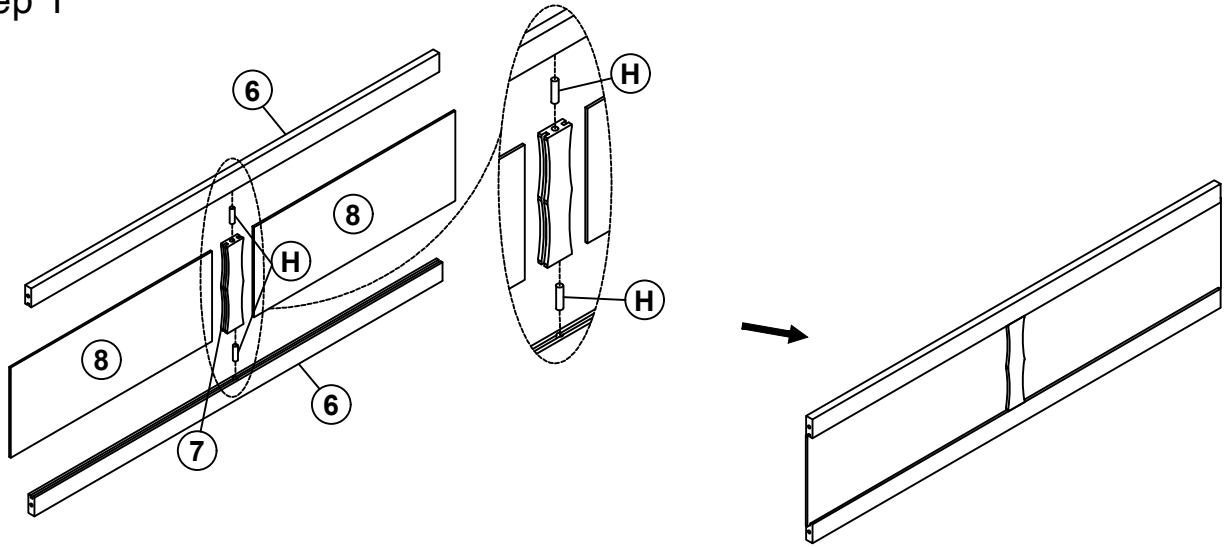
ASSEMBLY INSTRUCTIONS

HARDWARE LIST (JBSP0822006-P2/JBSP0822007-P2)

A	Ø4x30		72PCS	I	Ø8x30		40PCS
B	Ø3x15		20PCS	J	4x58		1PC
C	1/4x110		4PCS	K			16PCS
D	1/4x90		4PCS	L	44x17x14		2PCS
E	1/4x60		32PCS	M	20x17		8PCS
F	1/4x55		14PCS	N	1/4x25		4PCS
G	1/4x55		4PCS	O	6.5x50		4PCS
H	Ø10x40		10PCS		Phillip head screw Not include		

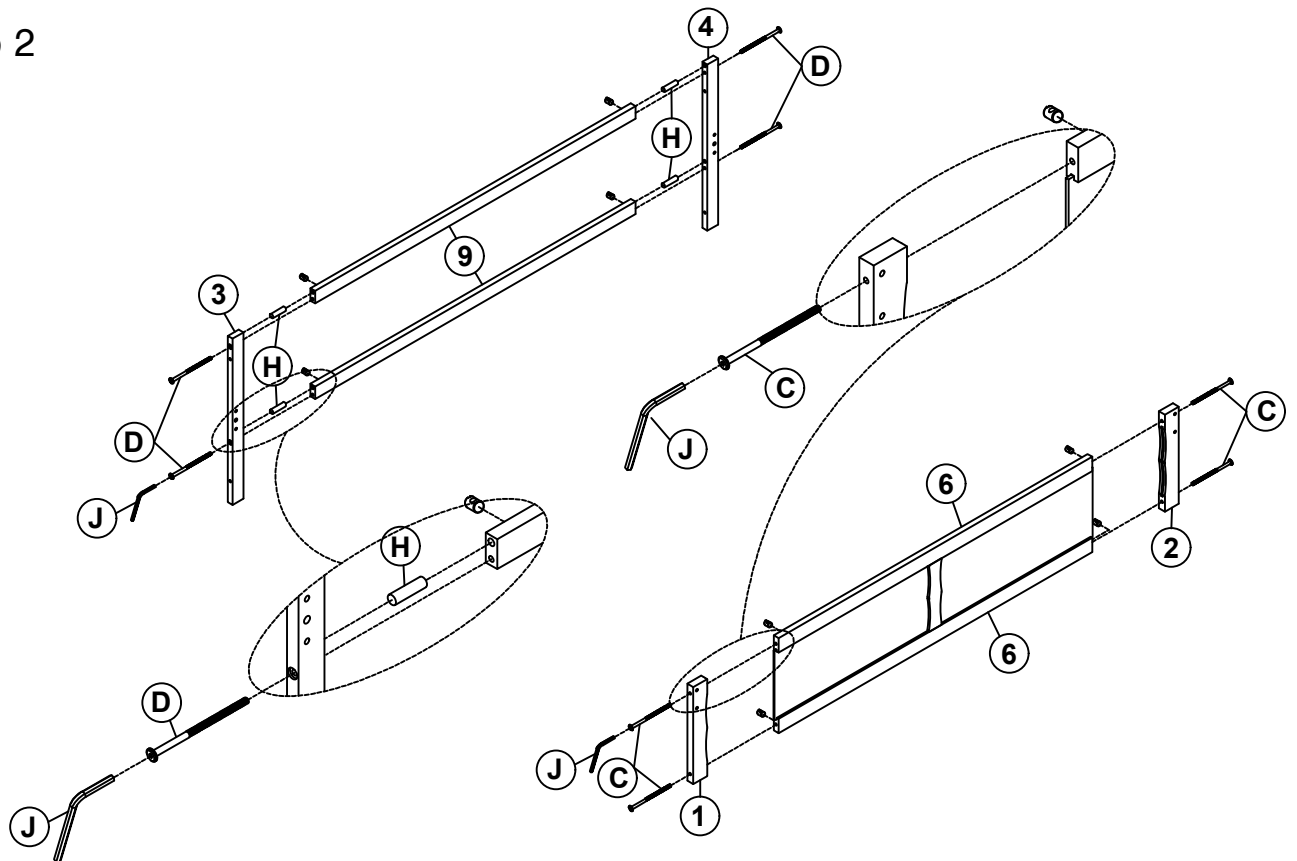
ASSEMBLY INSTRUCTIONS

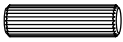



Step 1



H	Ø10x40		2PCS
----------	--------	---	------

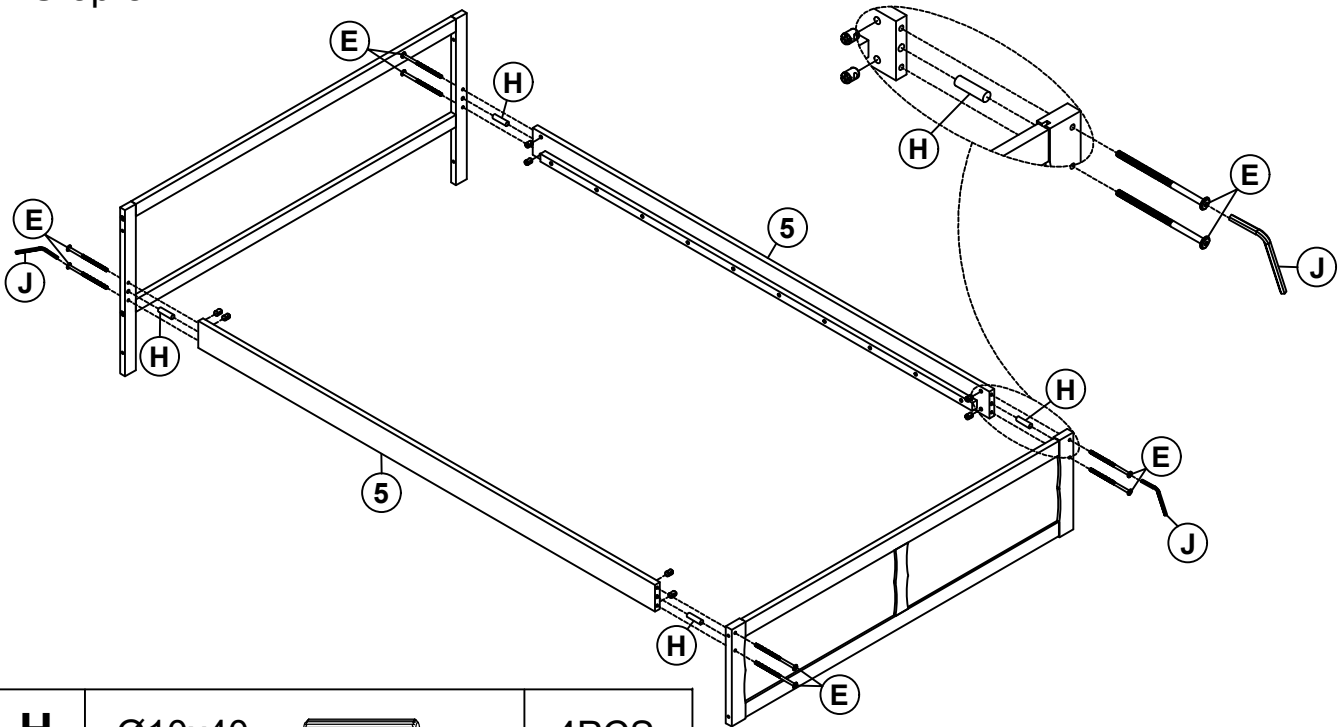
Step 2







H	Ø10x40		4PCS	J	4x58		1PC
C	1/4x110		4PCS	D	1/4x90		4PCS

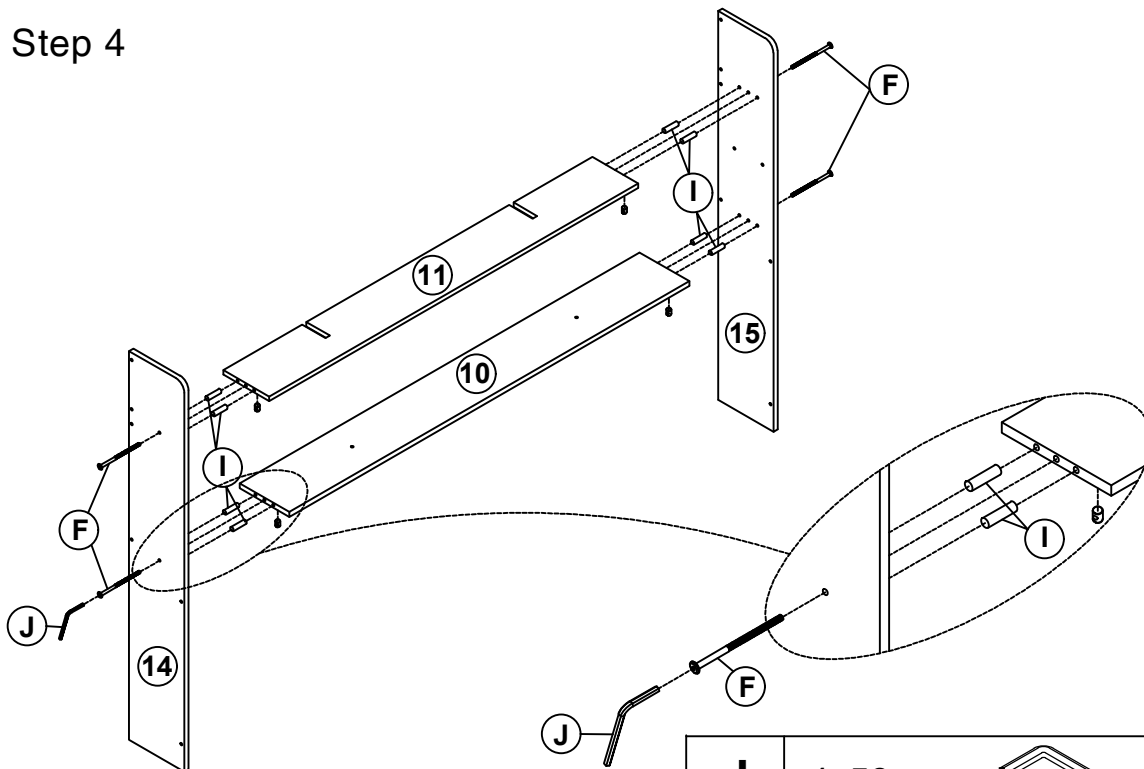
ASSEMBLY INSTRUCTIONS

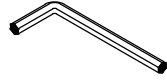


Step 3



H	Ø10x40		4PCS					
J	4x58		1PC	E	1/4x60			8PCS

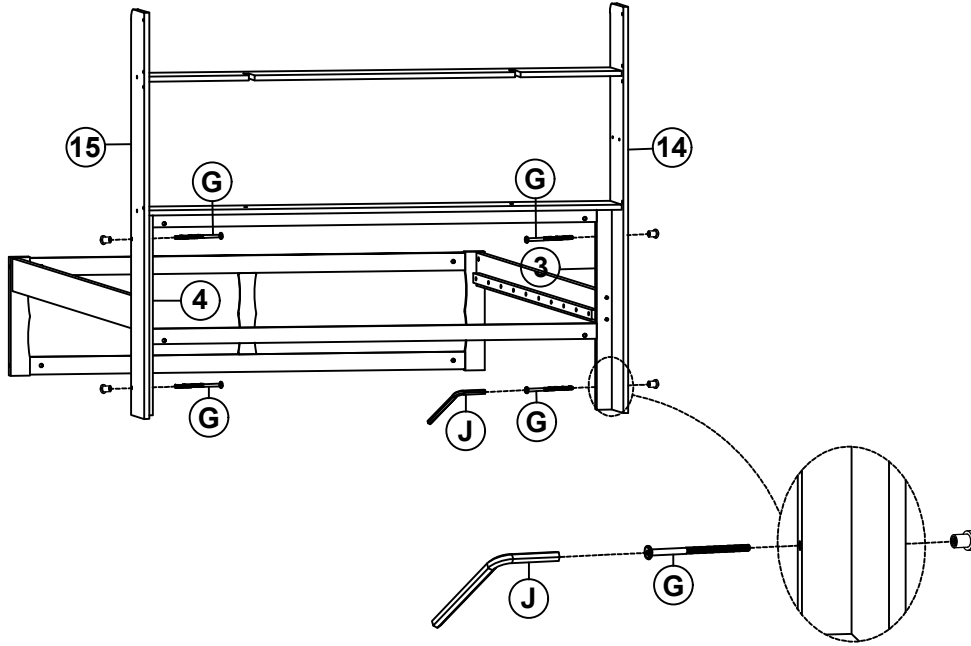
Step 4





				J	4x58		1PC
F	1/4x55		4PCS	I	Ø8x30		8PCS

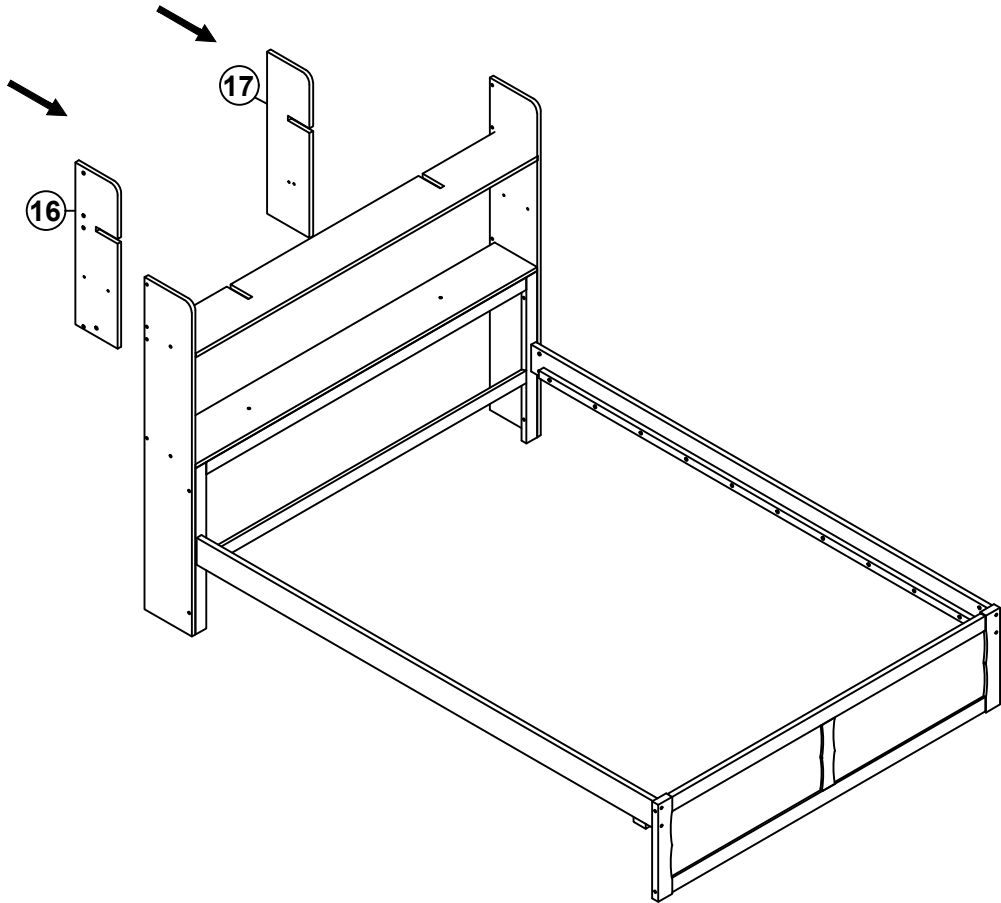
ASSEMBLY INSTRUCTIONS

Step 5



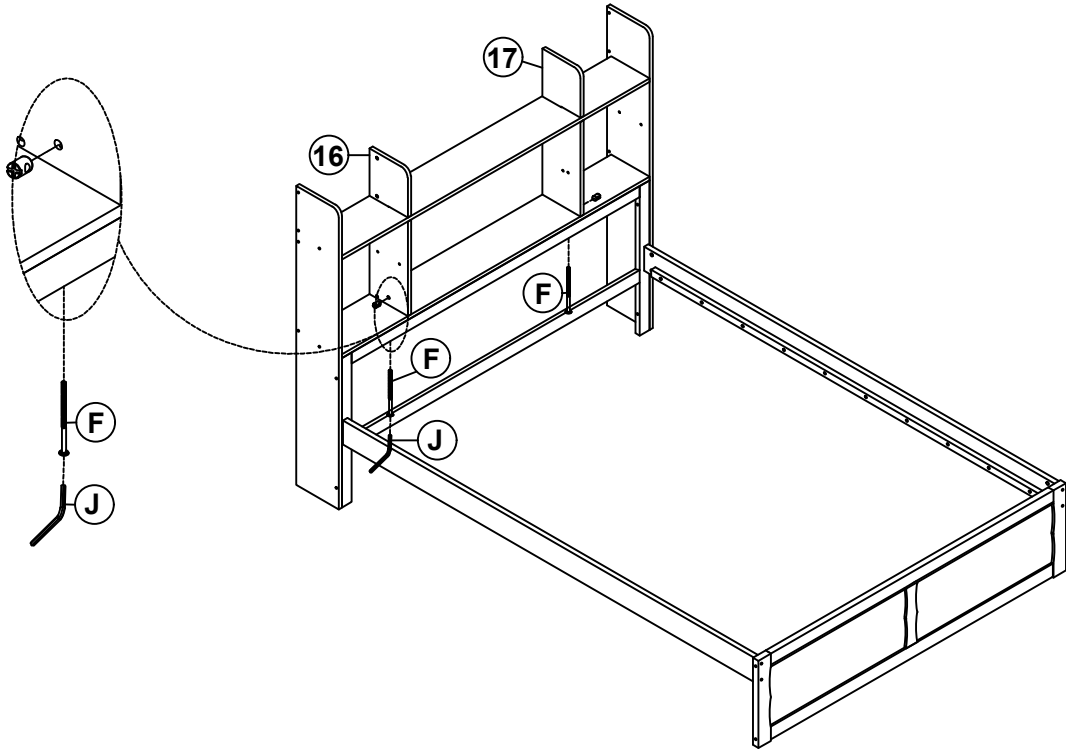
G	1/4x55		4PCS	J	4x58		1PC
----------	--------	---	------	----------	------	---	-----



Step 6



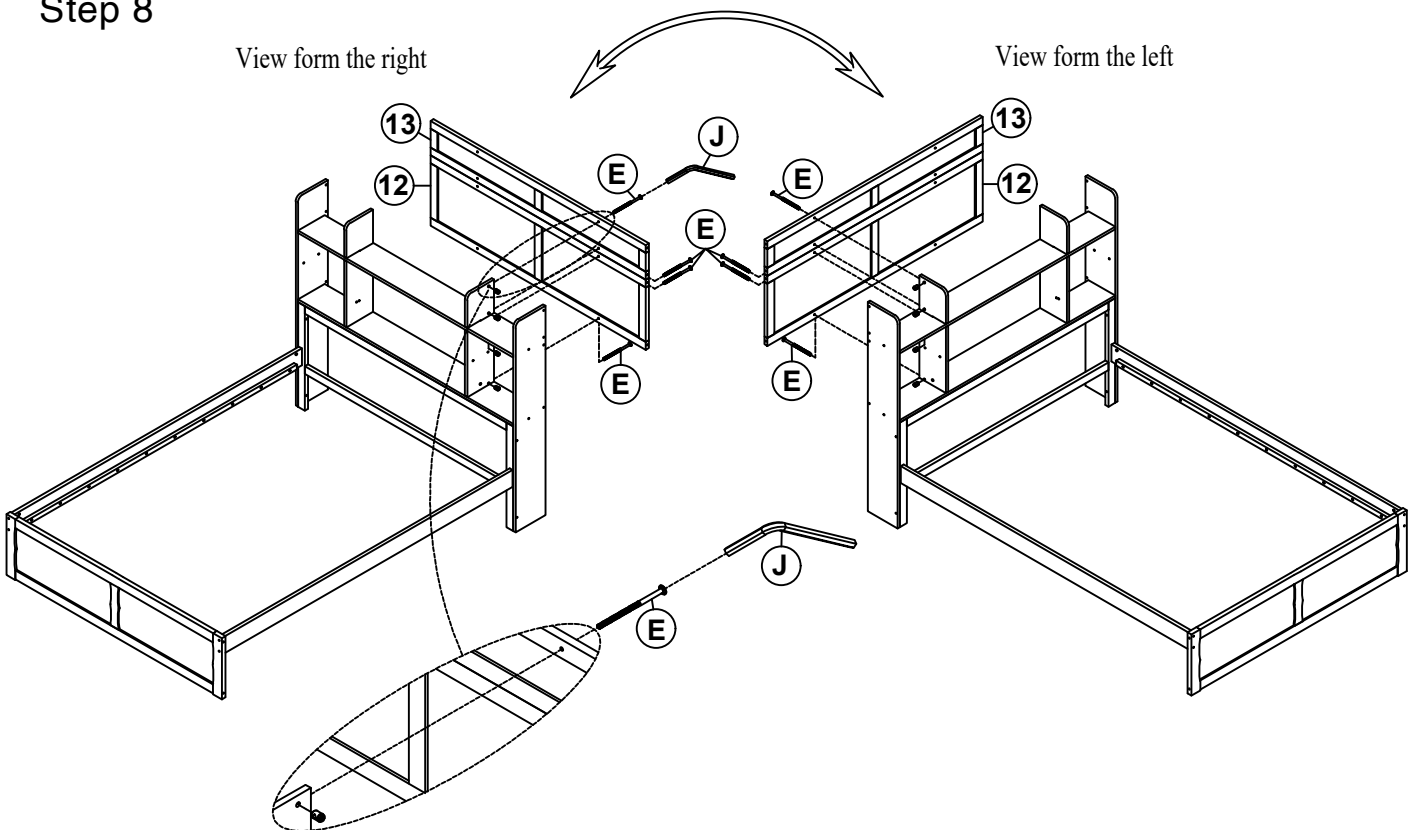
ASSEMBLY INSTRUCTIONS



Step 7



F	1/4x55		2PCS	J	4x58		1PC
----------	--------	--	------	----------	------	--	-----

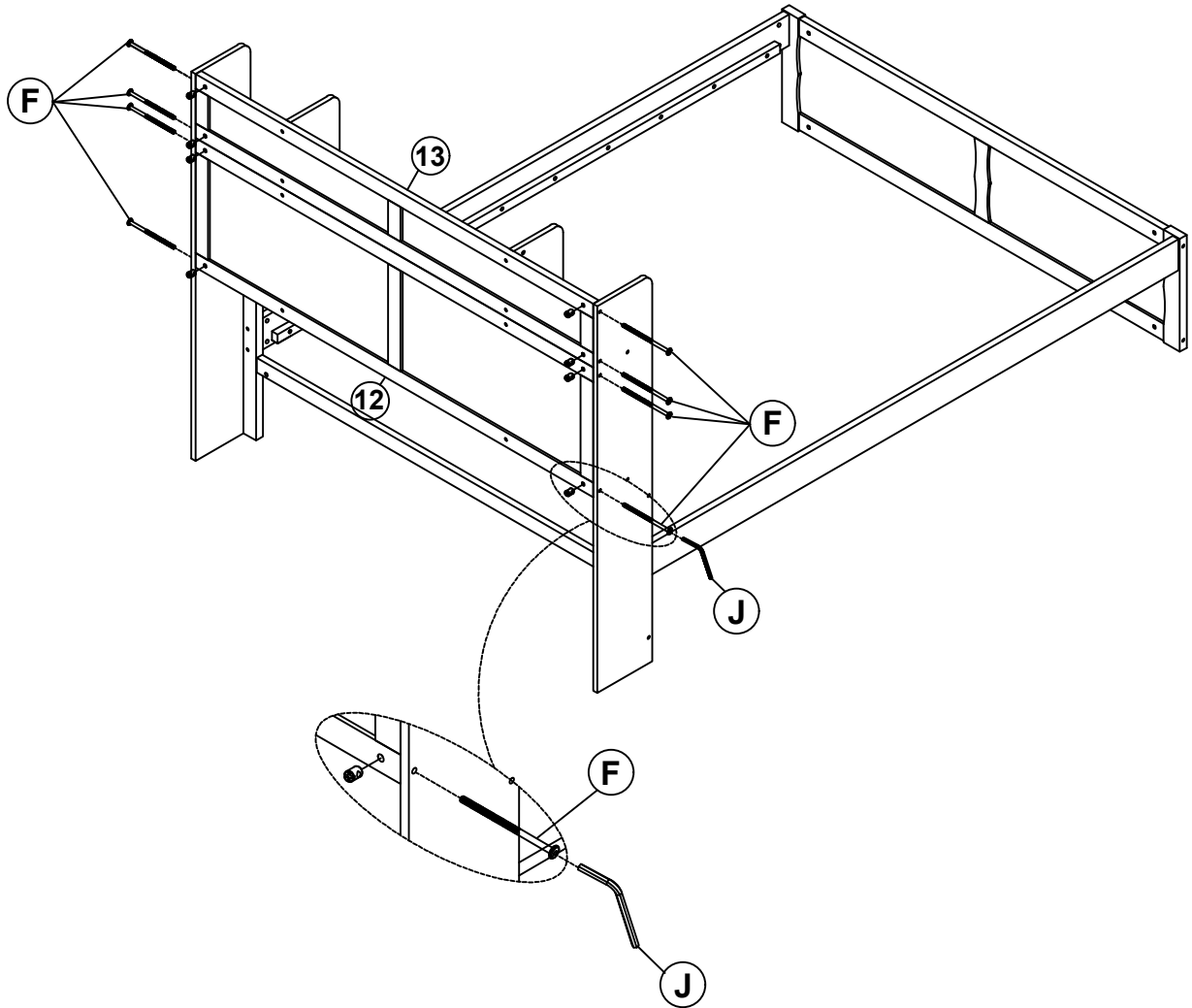
Step 8





E	1/4x60		8PCS	J	4x58		1PC
----------	--------	---	------	----------	------	---	-----

ASSEMBLY INSTRUCTIONS

Step 9



F	1/4x55		8PCS	J	4x58		1PC
----------	--------	---	------	----------	------	---	-----

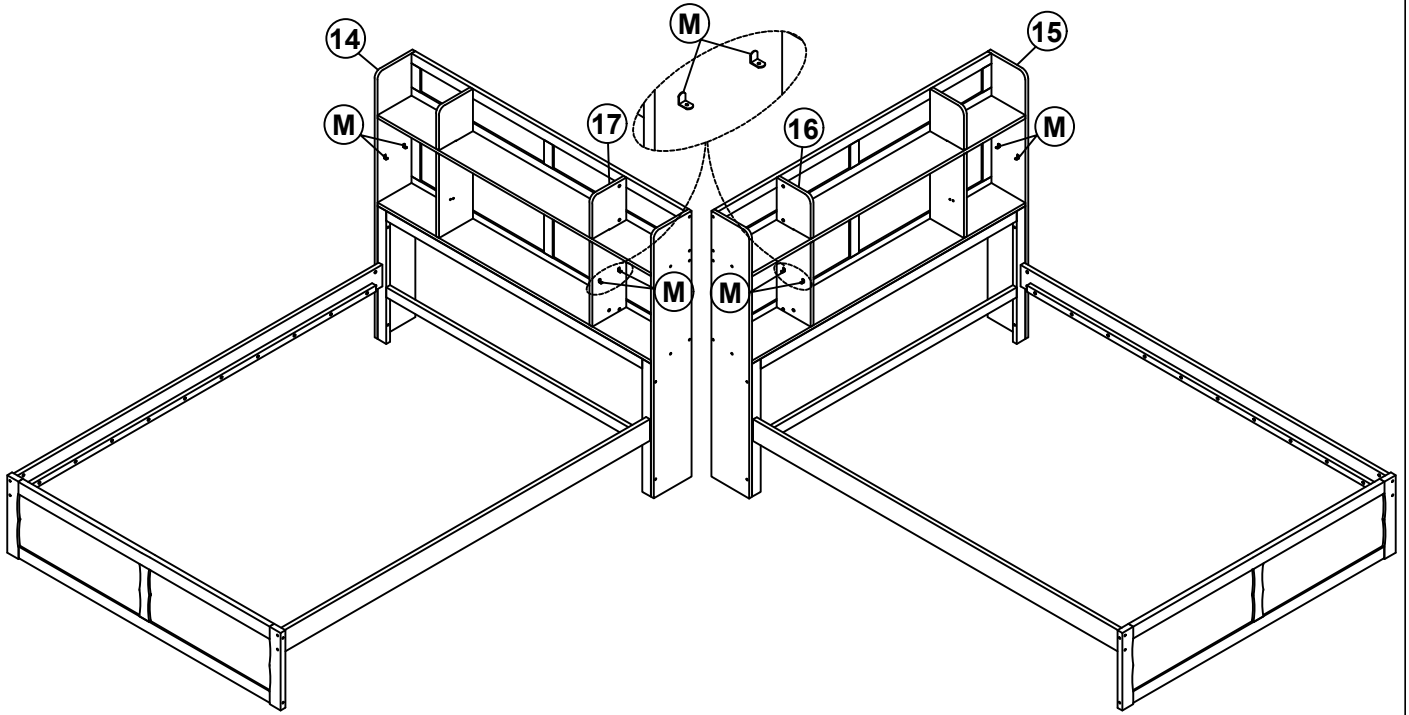
ASSEMBLY INSTRUCTIONS

Step 10

View from the right



View from the left



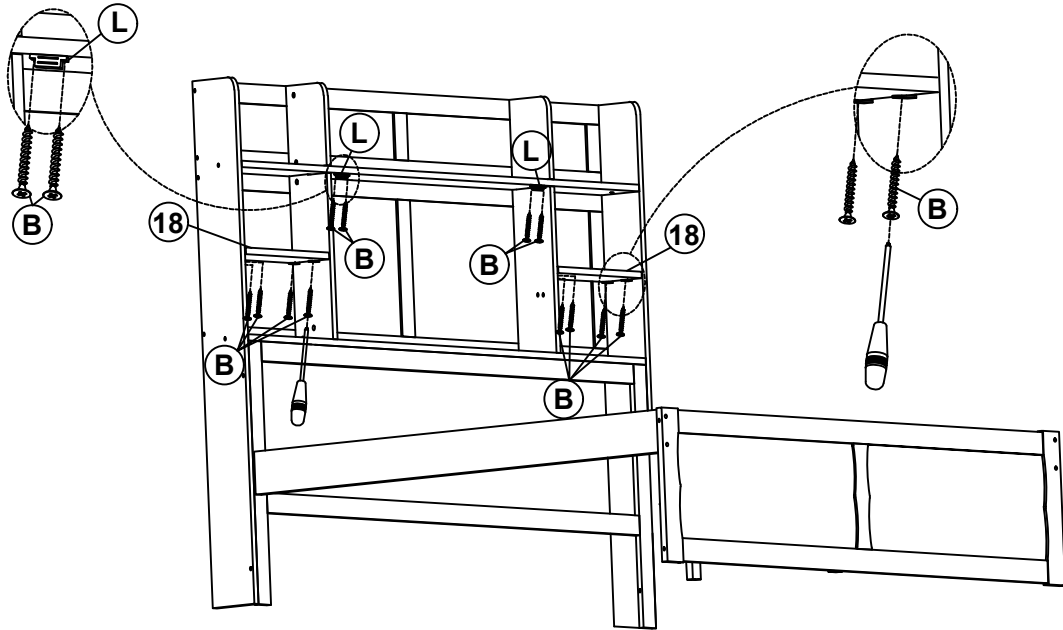
M

20x17



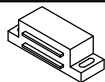
8PCS

Step 11



L

44x17x14



2PCS

B

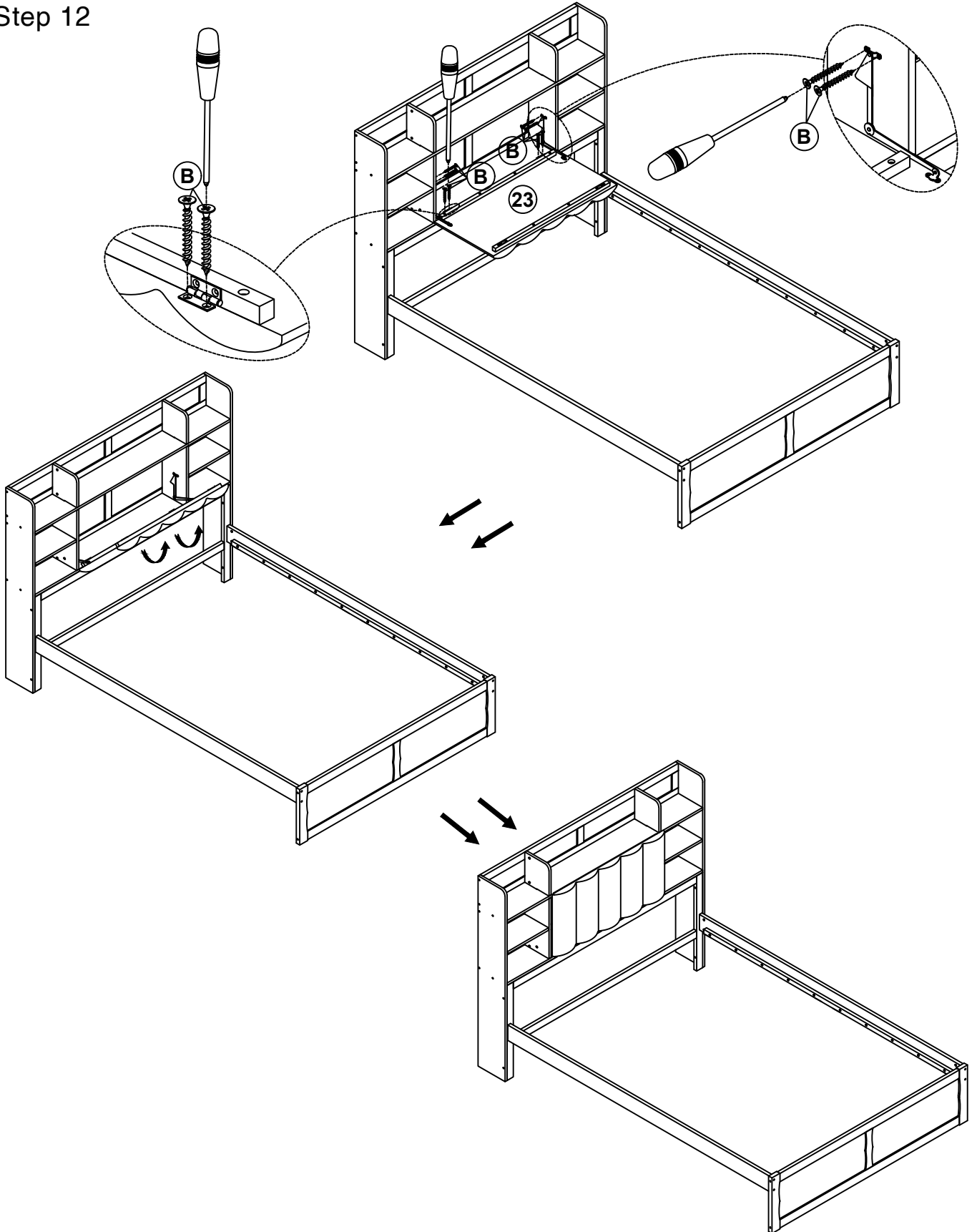
Ø3x15



12PCS

ASSEMBLY INSTRUCTIONS

Step 12



B

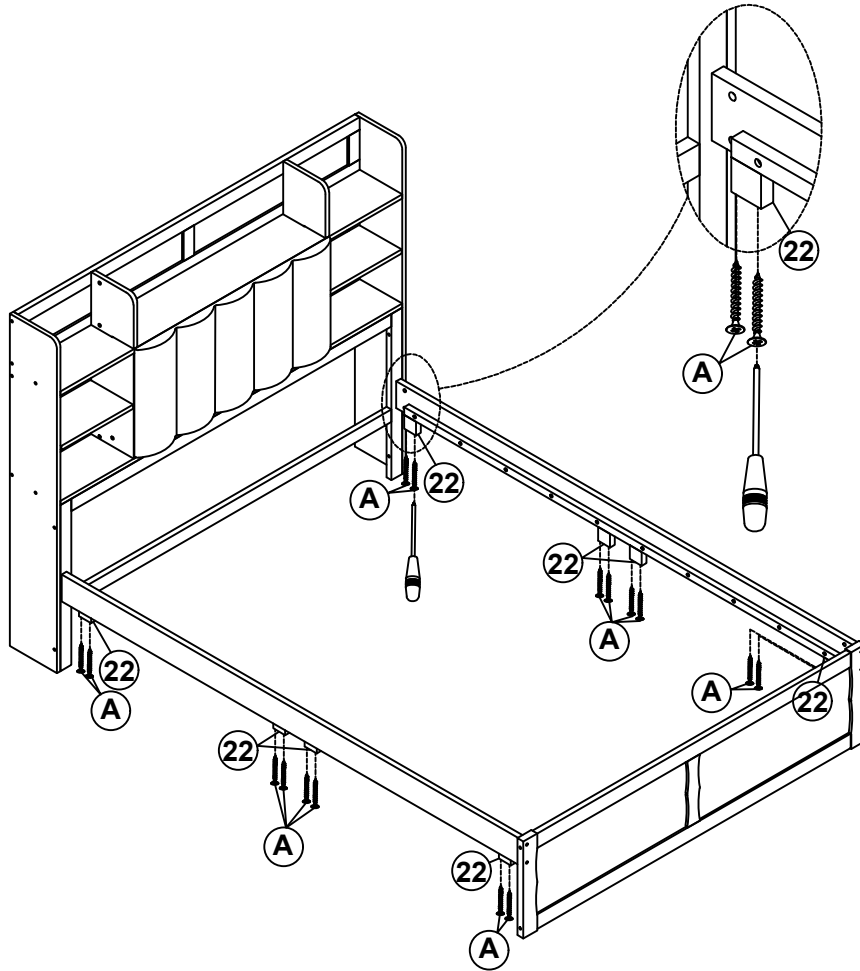
Ø3x15



8PCS

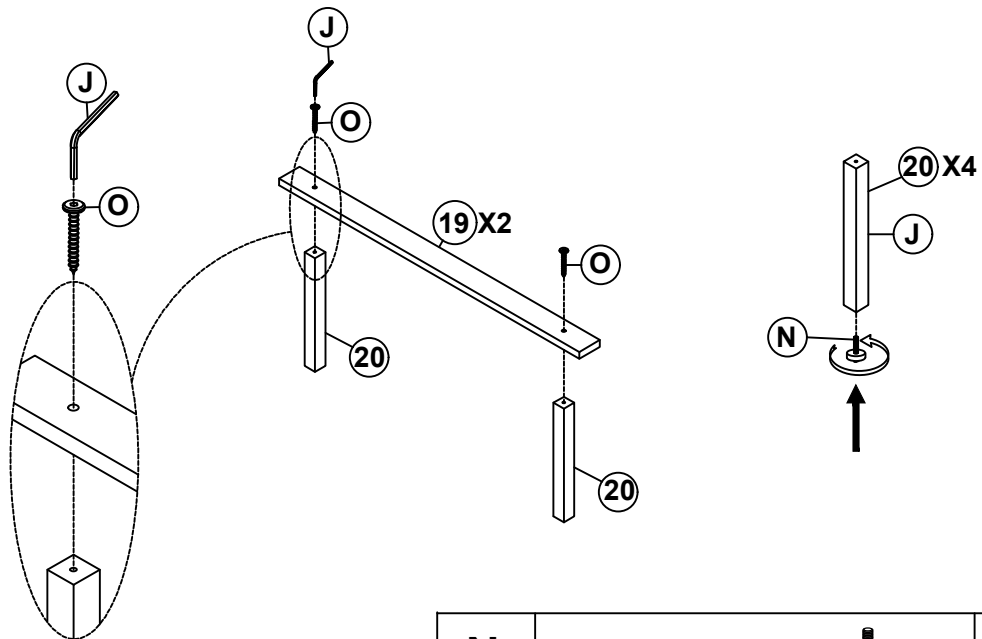
ASSEMBLY INSTRUCTIONS

Step 13




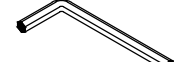
A	Ø4x30		16PCS
----------	-------	---	-------

Step 14



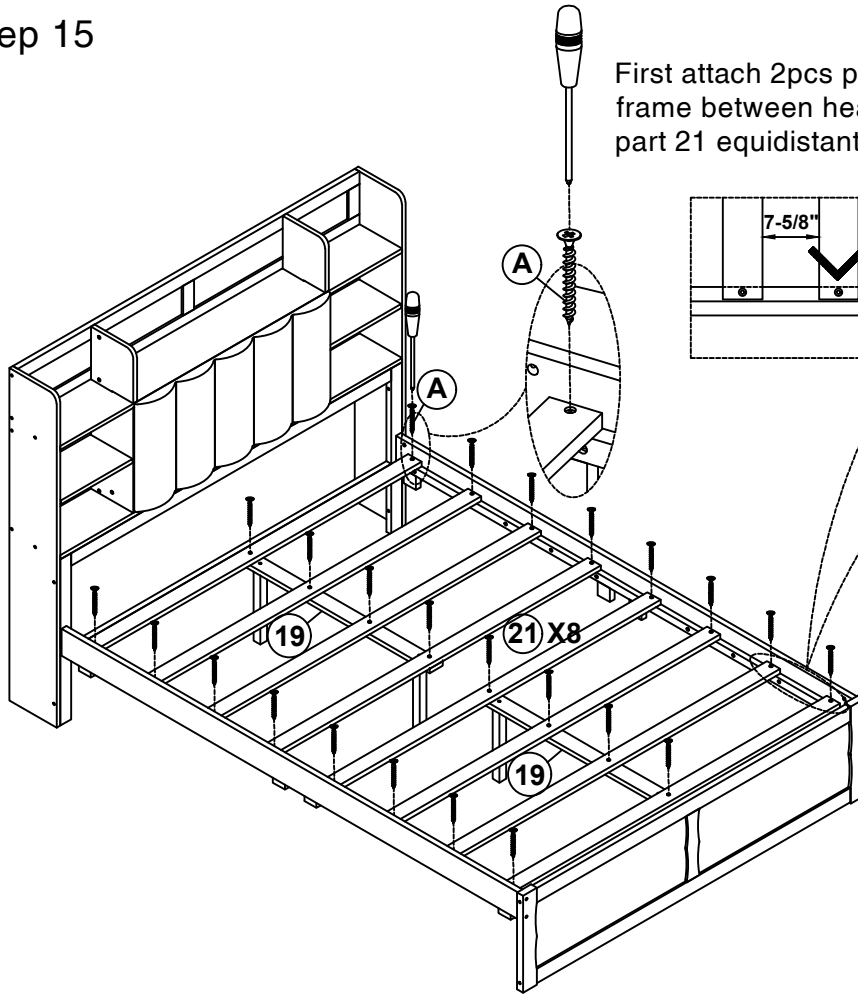
N	1/4x25		4PCS
----------	--------	---	------

O	6.5x50		4PCS
----------	--------	---	------

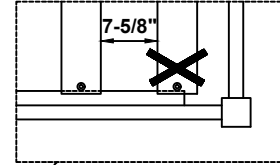
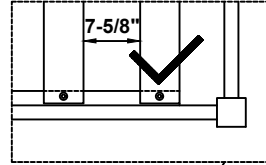
J	4x58		1PC
----------	------	---	-----

ASSEMBLY INSTRUCTIONS

Step 15

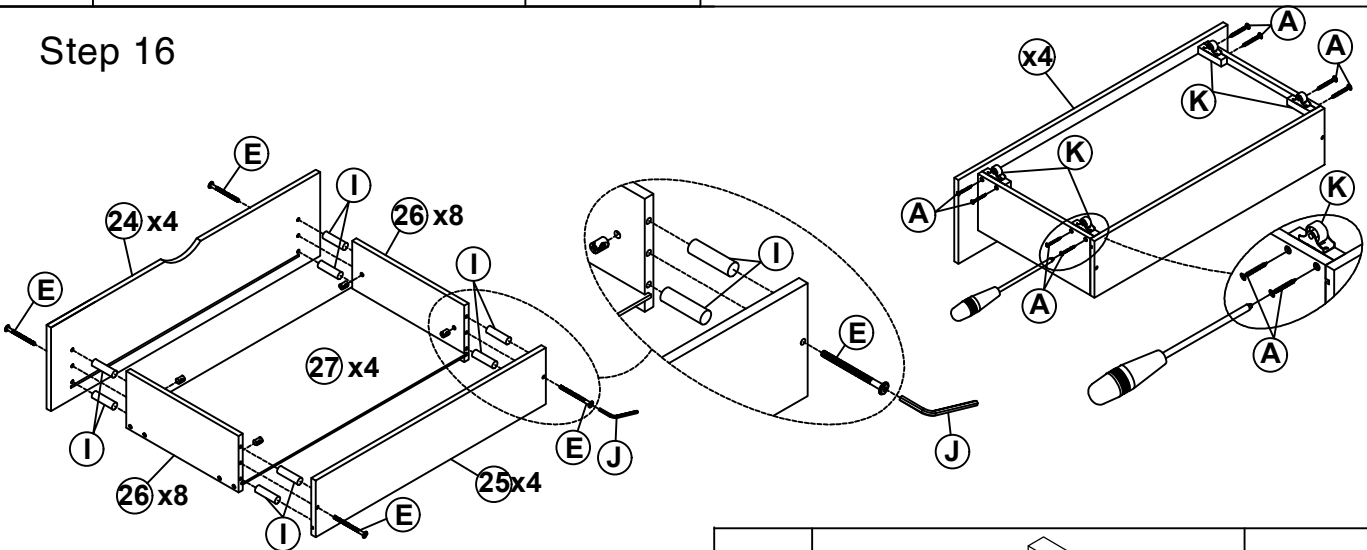


First attach 2pcs part 21 to the front and end of the frame between headboard. Then attach the remaining part 21 equidistantly between headboard.




A	Ø4x30		24PCS
----------	-------	---	-------


Step 16




A	Ø4x30		32PCS
----------	-------	---	-------

I	Ø8x30		32PCS
----------	-------	---	-------

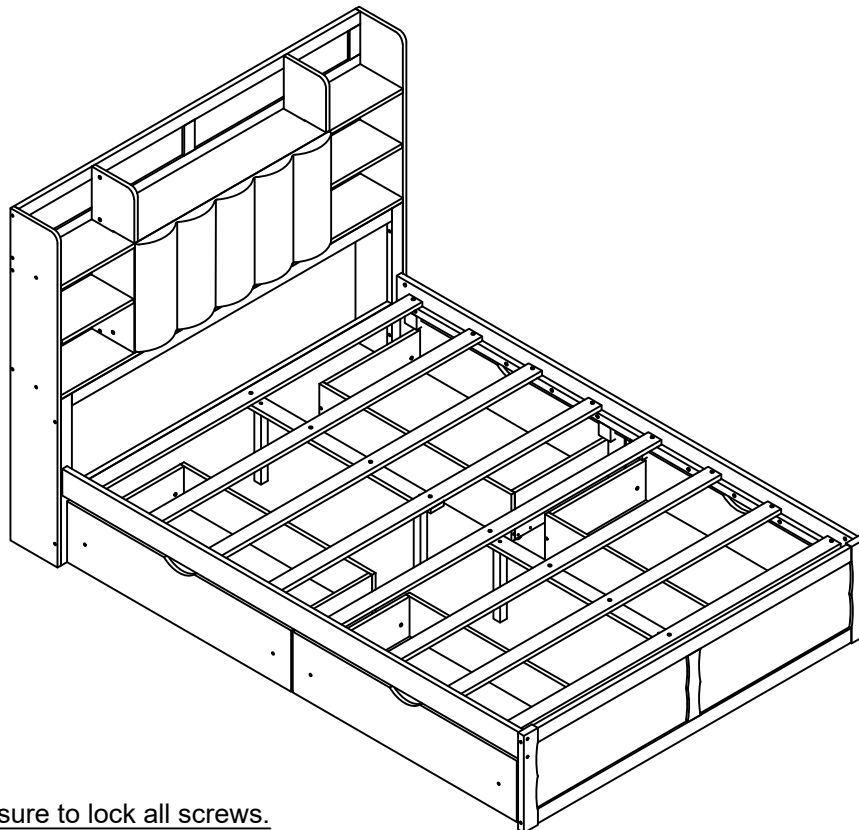
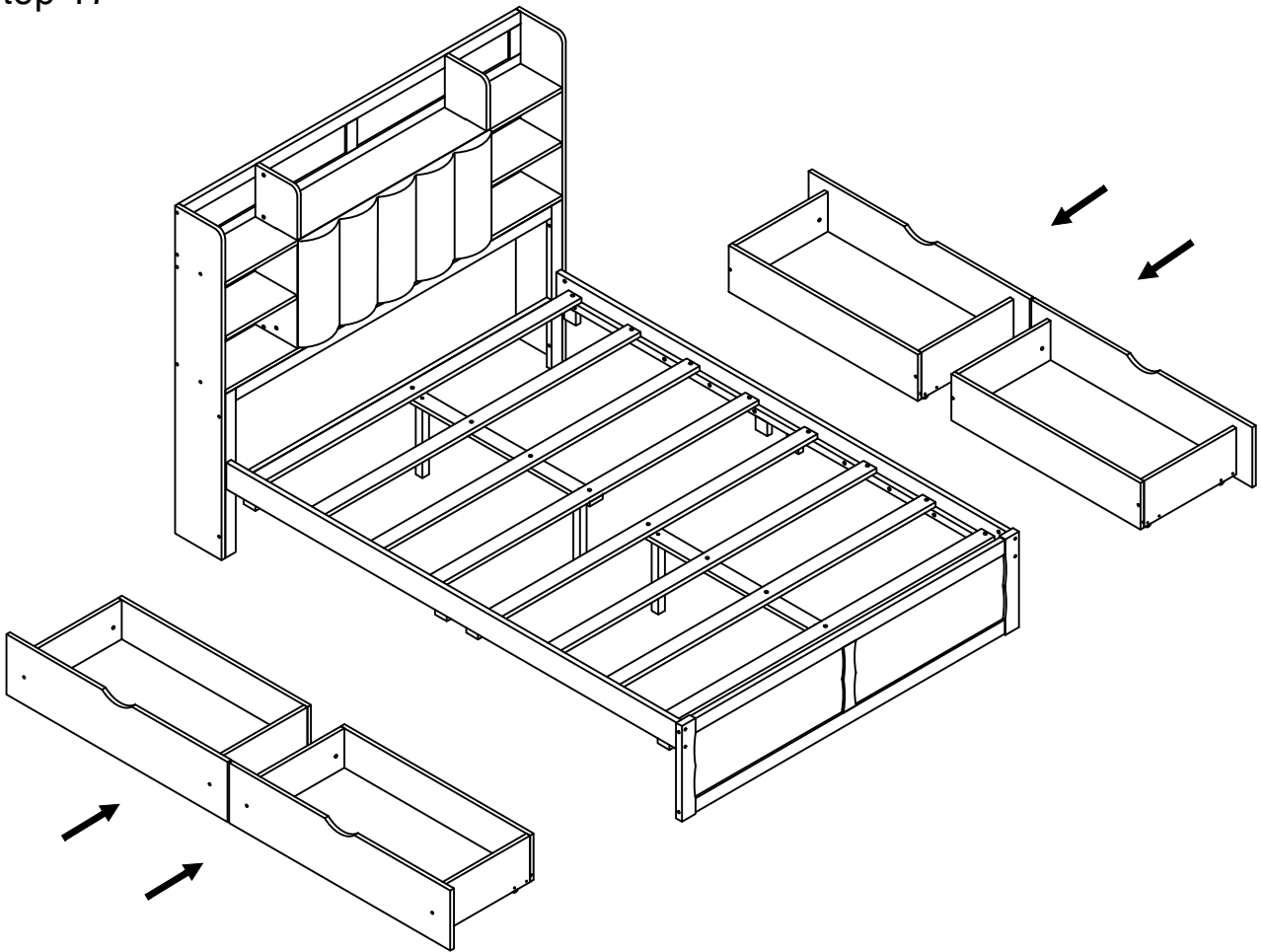
K		16PCS
----------	---	-------

J	4x58		1PC
----------	------	---	-----

E	1/4x60		16PCS
----------	--------	---	-------

ASSEMBLY INSTRUCTIONS

Step 17



Please note: Make sure to lock all screws.