

PASSWORD AND FINGERPRINTS SETUP GUIDE

SET THE USER PASSWORD

STEP1: Press the reset button. You'll hear the buzzer beep twice, and the blue light will stay on. At the moment, enter your password with 4 to 8 digits. Then press the “#” button to confirm. The buzzer will beep once, and the green light will flash once, indicating that the user password has been set successfully.

SET THE MASTER PASSWORD

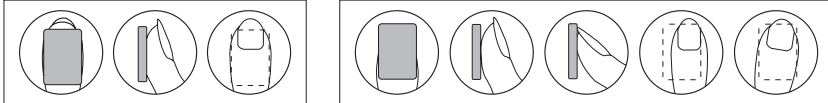
STEP1: Enter “00”, then press the reset button. The buzzer will beep three times, and the blue light will turn on. Enter a 4 to 8 digit password, then press “#” to confirm. After the buzzer beeps once, the green light will flash, confirming that the master password has been set successfully.

NOTE: The User Password and Master Password are set independently. Changing one password will not affect the other.

REGISTER YOUR FINGERPRINTS

STEP1: Press the reset button. The buzzer will beep twice, and the blue light will turn on. Place your finger on the scanner. When you hear the buzzer beep twice, remove your finger. Place the same finger back on the scanner. When the buzzer beeps once, the first fingerprint has been successfully registered.

NOTE: If you want to register additional fingerprints, please repeat the above steps.



I. Correct

II. Incorrect

WARNING FUNCTION

VIBRATION ALARM

STEP 1: In standby mode, press the “*” key. The buzzer will make a long beep, which indicates that the vibration alarm function is activated.

STEP 2: When the device is shaken or moved, both the horn and the buzzer will start to alarm at the same time. Meanwhile, the blue light will flash for 20 seconds.

PASSWORD ERROR ALARM

STEP 1: If the wrong password or fingerprint is entered three times in a row, the buzzer will sound an alarm for about 20 seconds, with one beep per second.

ALARM CANCELLATION

STEP 1: Enter the correct fingerprint or password. The alarm will stop immediately. This applies to both the vibration alarm and the password error alarm.

MUTE FUNCTION

STEP 1: Press ‘0’ button twice, then press ‘*’ button to activate the mute function.

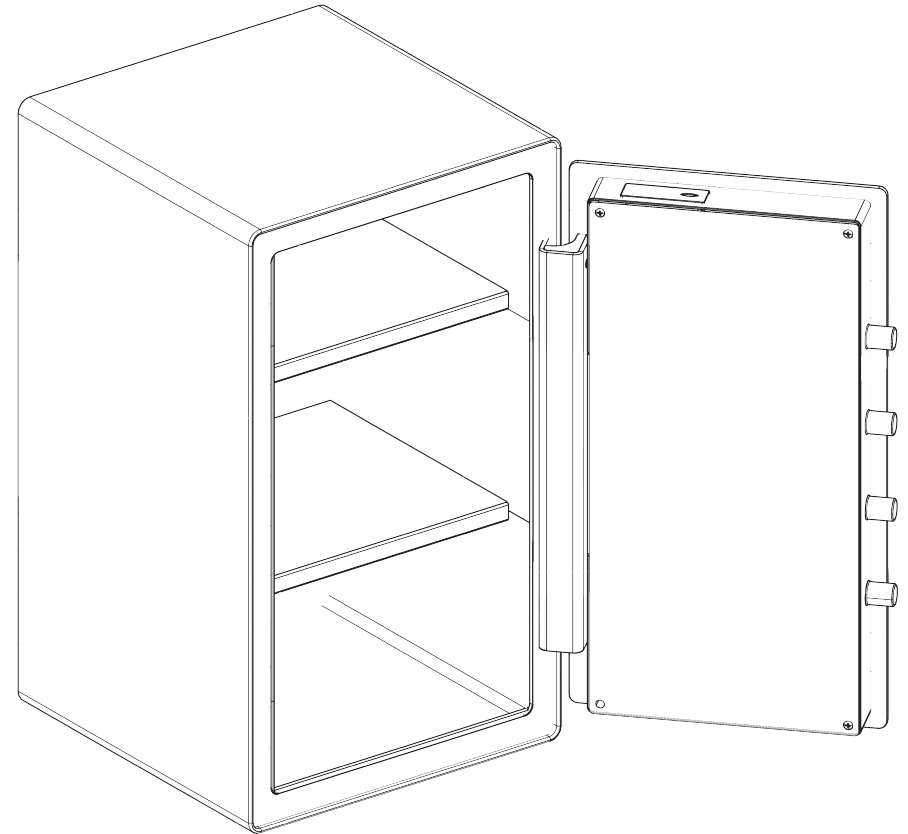
STEP 2: Press ‘6’ button twice, then press ‘*’ button once to deactivate the mute function.

NOTE: The device will automatically deactivate the mute mode after a power outage.

HOW TO CLEAR ALL FINGERPRINTS & RESET PASSWORDS

STEP 1: To clear all fingerprints and reset the password, press and hold the reset button for 5 seconds until you hear a single beep and the blue light stays on. This will clear all fingerprints and restore the user password to its factory default.

NOTE: The master password will remain unchanged. To reset the master password, simply repeat the process to overwrite the previous password.



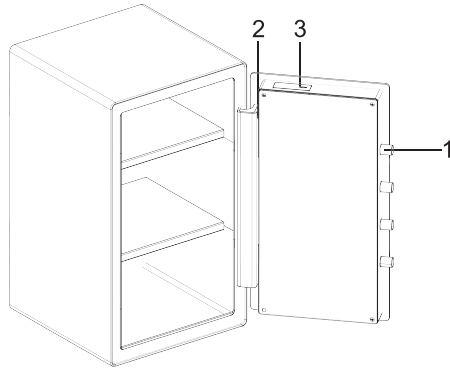
INTELLIGENT ELECTRONIC SAFE

! Do not store emergency keys inside the safe!

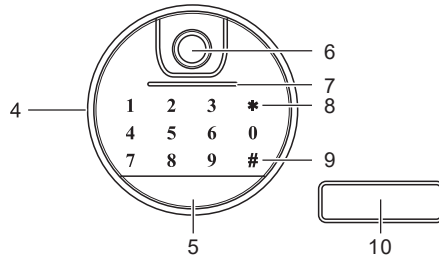
Welcome to the GOLDENKEY family!

Thank you for choosing our products. By purchasing our safe, you've made a significant step towards organizing and safeguarding your most precious belongings. Each of our safe series is professionally crafted and designed with safety as the top priority. Please take a moment to carefully read and familiarize yourself with the proper operating procedures of your new safe, which are presented on the following pages.

Schematic Drawing of the Safe Box



Schematic Drawing of the Control Panel



- | | |
|-------------------------|--------------------------|
| 1. Locking Bolts | 6. Fingerprint Scanner |
| 2. Reset Button | 7. Indicator Light |
| 3. Battery Compartment | 8. Clearing Button |
| 4. Digital Keypad Bezel | 9. Confirming Button |
| 5. External Power Port | 10. Emergency Lock Cover |

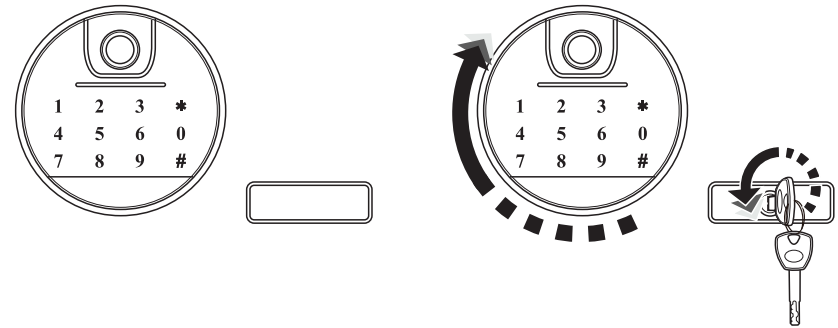
! WARNING

Electronic media, photographic media and all audio visual media should not be stored in the safe for fire protection.

OPEN YOUR SAFE FOR THE FIRST TIME

STEP1: Remove the lock cover.

STEP2: Insert the key, turn it counter-clockwise, and simultaneously rotate the digital keypad bezel clockwise.



BATTERY INSTALLATION

STEP1: Open the door.

STEP2: Remove the battery compartment cover.

STEP3: Install 4 AA batteries into the battery compartment, ensuring correct polarity. The batteries should last for up to one year with normal use.

CAUTION: When the battery voltage drops below 4.8V (+/-0.2V), the red light will turn on as a reminder to replace the batteries. The 9V battery is for emergency backup only and should not be inserted into the external interface for extended periods.

NORMAL MODE AND SAFE MODE

1. Press any digit on the panel to wake the panel, then enter your password.
2. Press "1" and then the reset button. You will hear a long beep, indicating that the safe has successfully entered safe mode. (This action switches between normal mode and safe mode, and can be repeated as needed.)

NOTE:

1. In normal mode, either the password or fingerprint can be used to open the safe.
2. In safe mode, both the fingerprint and password are required in either order (fingerprint + password or password + fingerprint) to open the safe.

HOW TO OPEN THE SAFE

NORMAL MODE

In normal mode, you can open the safe by either: Entering your 4-8 digit password and pressing "#", or scanning your fingerprint. (Once entered correctly, the buzzer will beep twice, and the green light will turn on. The door will then open.)

SAFE MODE

To open the safe in safe mode: Start by scanning your fingerprint. The buzzer will beep twice, the green light will flash twice, and the keypad will light up. Next, enter your 4-8 digit password and press "#". The buzzer will beep twice, the green light will stay on, and the door will open.

SLEEP MODE

If no action is taken after a correct fingerprint scan: The blue light will blink three times within 10 seconds, the buzzer will beep three times, the indicator lights will turn off, and the system will enter sleep mode.