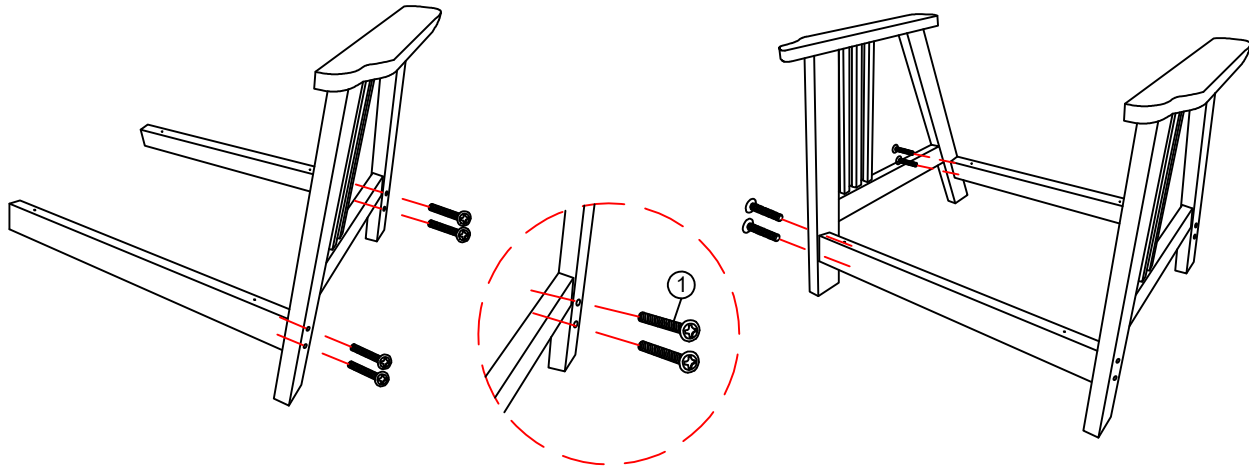
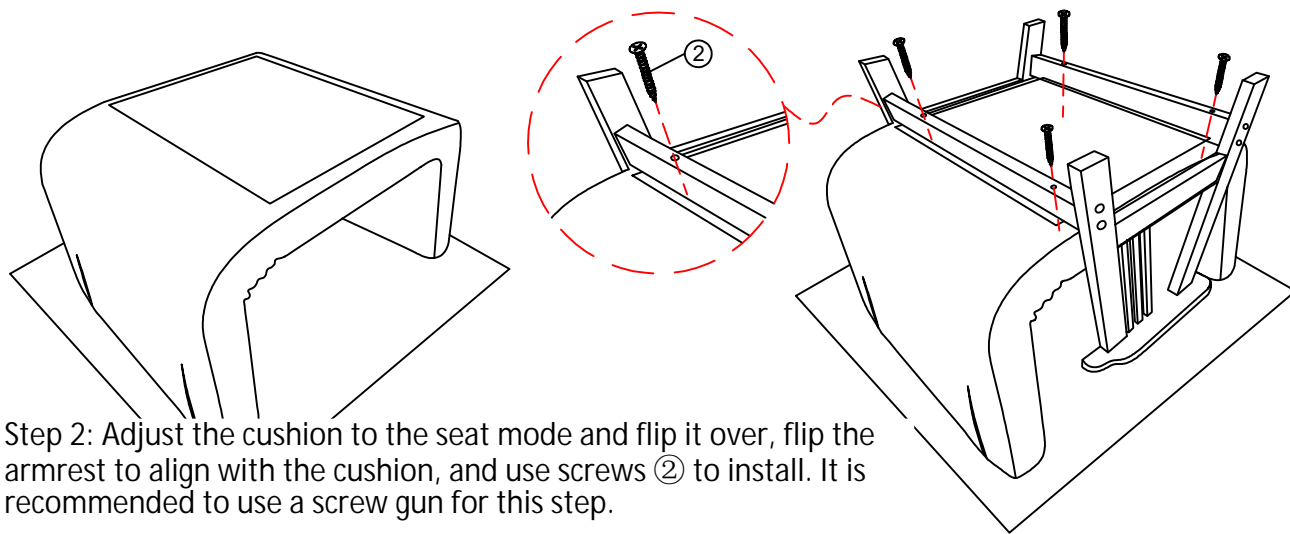


Step 1: Use a screwdriver/screw gun and screws ① to attach the armrests on both sides to the base frame.

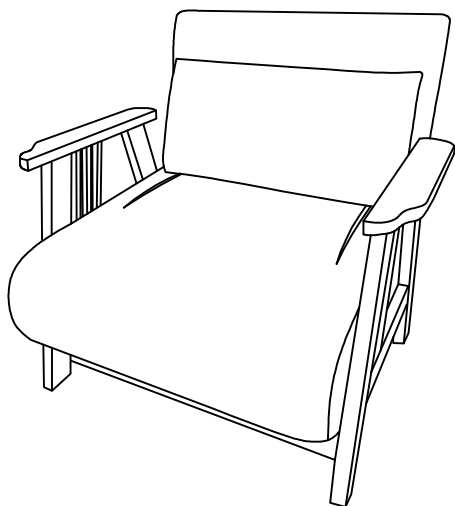


1

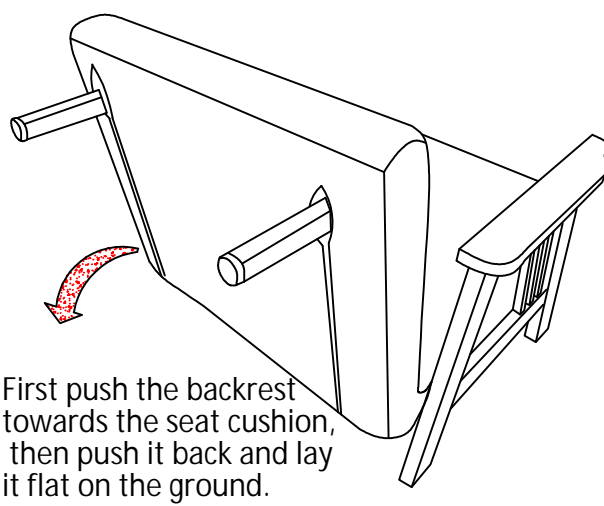


Step 2: Adjust the cushion to the seat mode and flip it over, flip the armrest to align with the cushion, and use screws ② to install. It is recommended to use a screw gun for this step.

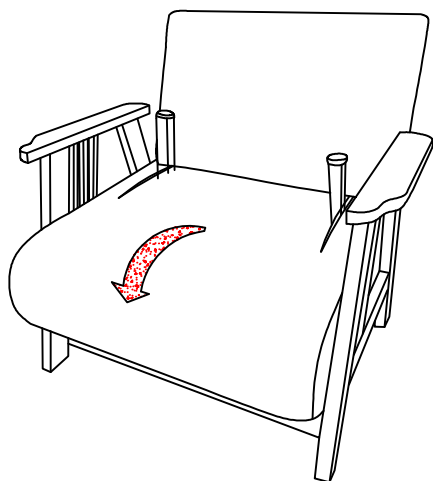
2



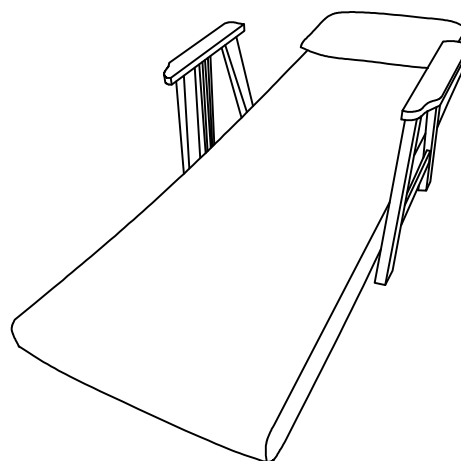
3



4



5



6