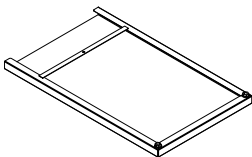
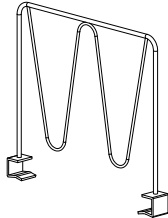
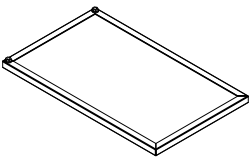
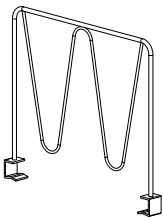
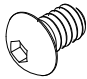
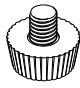



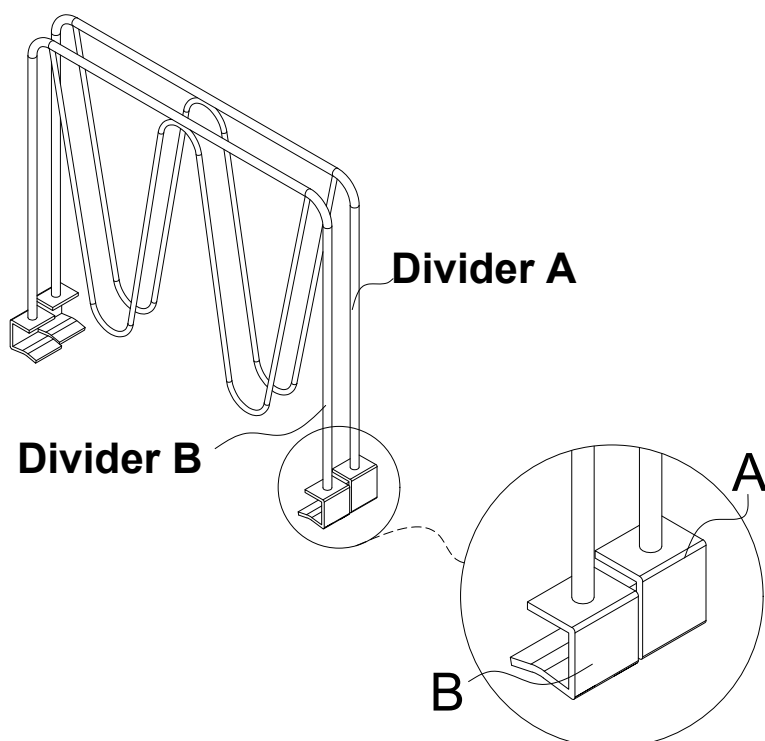
# Installation Instructions

Accessories include:

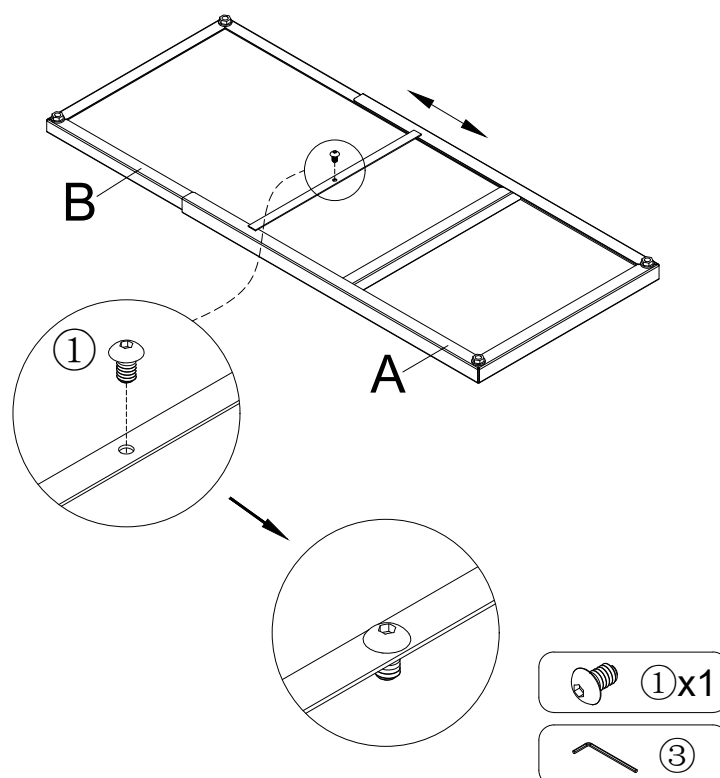
A	A	B	B	①	②	③
Big Frame	Big Dividers	Small Frame	Small Dividers	Screws	Adjustable Feetss	Allen Wrench
						
1pc	5pcs	1pc	3psc	1+1pcs	4pcs	1pc

## Installation Steps

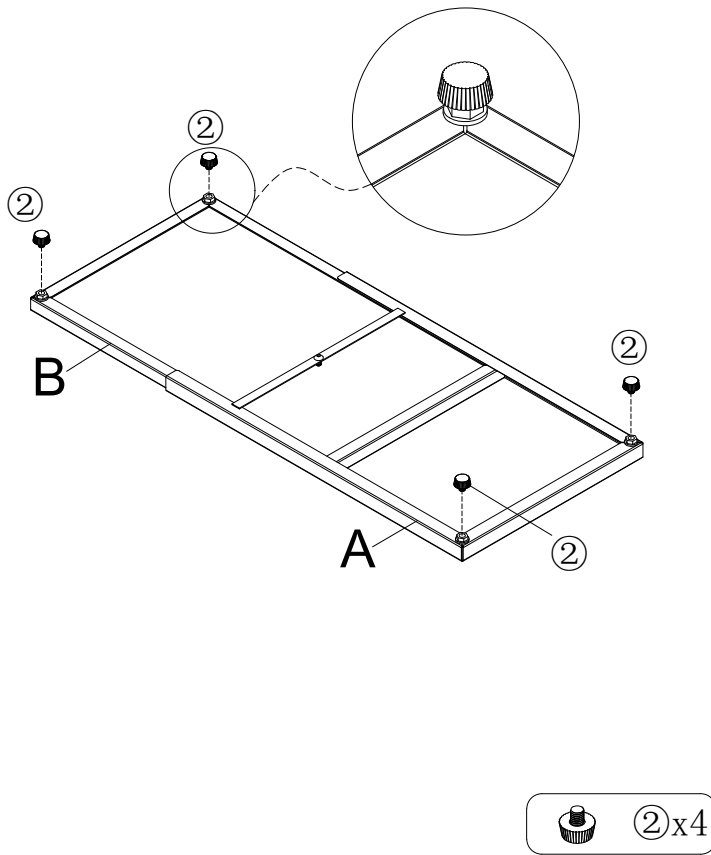
1. Please note the distinction between divider A and B; the snap height of **divider A** is higher than that of **divider B**.



2. Insert **frame B** into **frame A**, and secure it with **screws ①**.

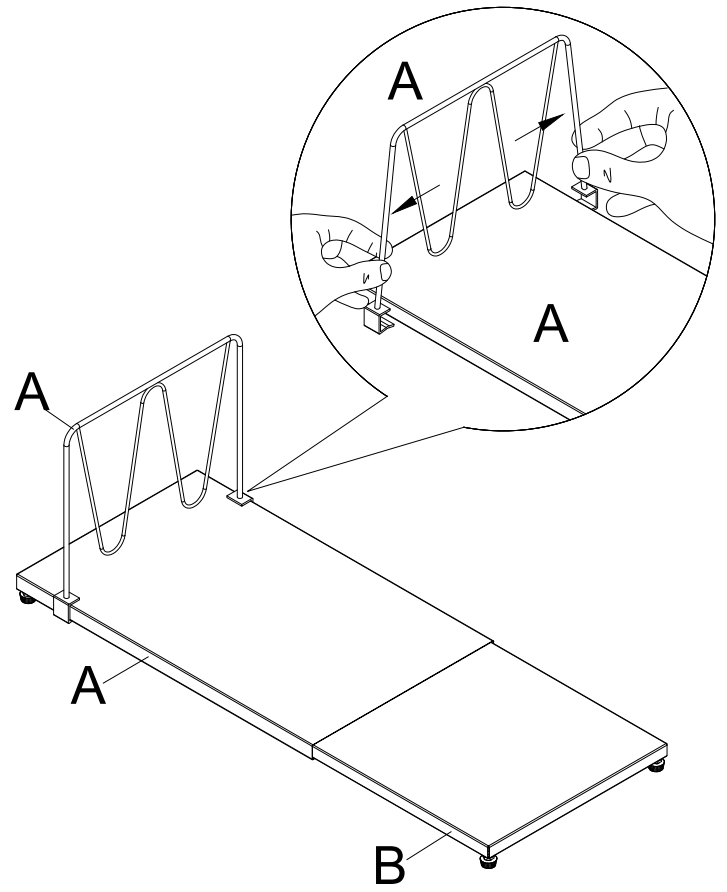


3. Install the adjustable **feet** ② onto frames A and B.



4. Use both hands to pull both sides of the divider outward at the same time.

**Divider A** is secured to **frame A**, and **divider B** is secured to **frame B**.



5. Adjust the spacing by moving the dividers with both hands according to the size of your purses to meet your storage needs.

