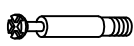




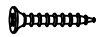
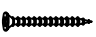





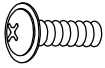


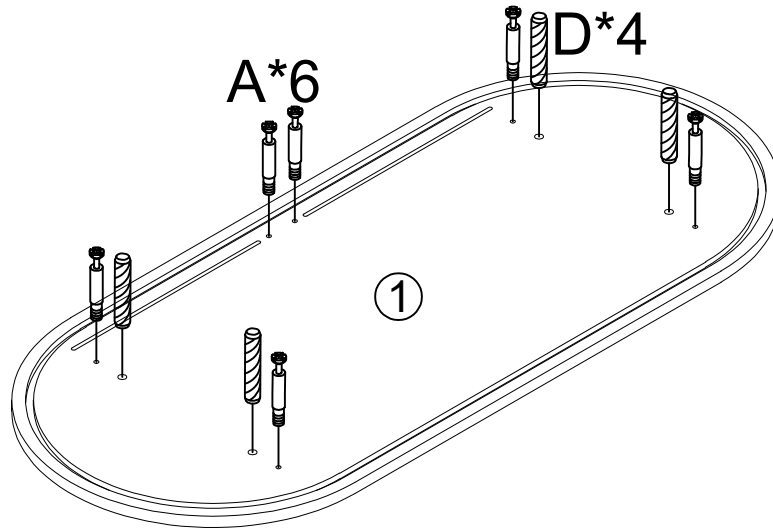
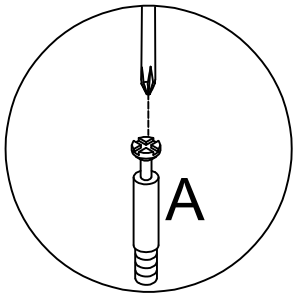
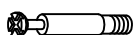
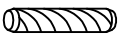


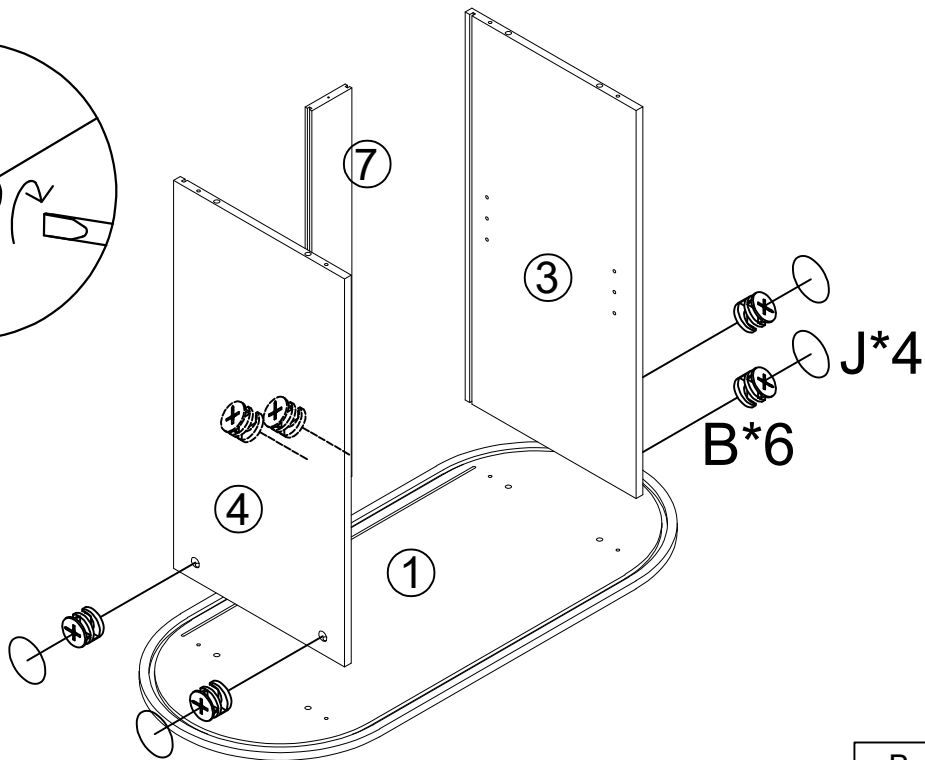
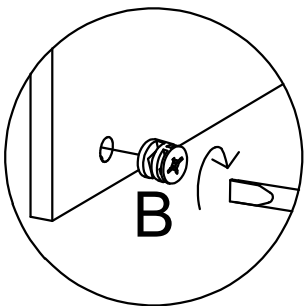
A	x14	B	x14	C	x4	D	x8	E	x10	F	x16	G	x1
													
M6*35mm		φ15mm		M7*50mm		φ8*30mm		φ3.5*14mm		φ3.5*20mm		φ4*35mm	
H	x8	I	x8	J	x4	K	x10	L	x4	M	x4	N	x1
													
		M6*60mm		Ø20mm						M4*15mm		M4	
O	x4												
													
Ø30mm													



1



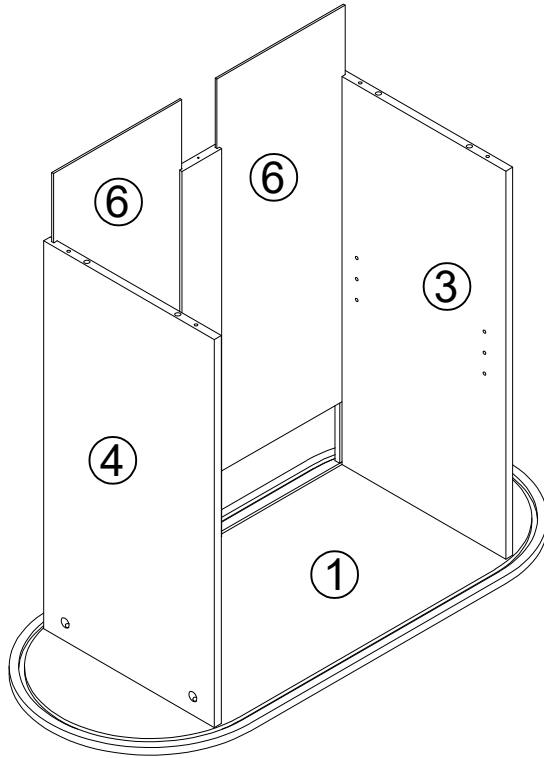
A	x6	D	x4
			
M6*35mm		ø8*30mm	

2

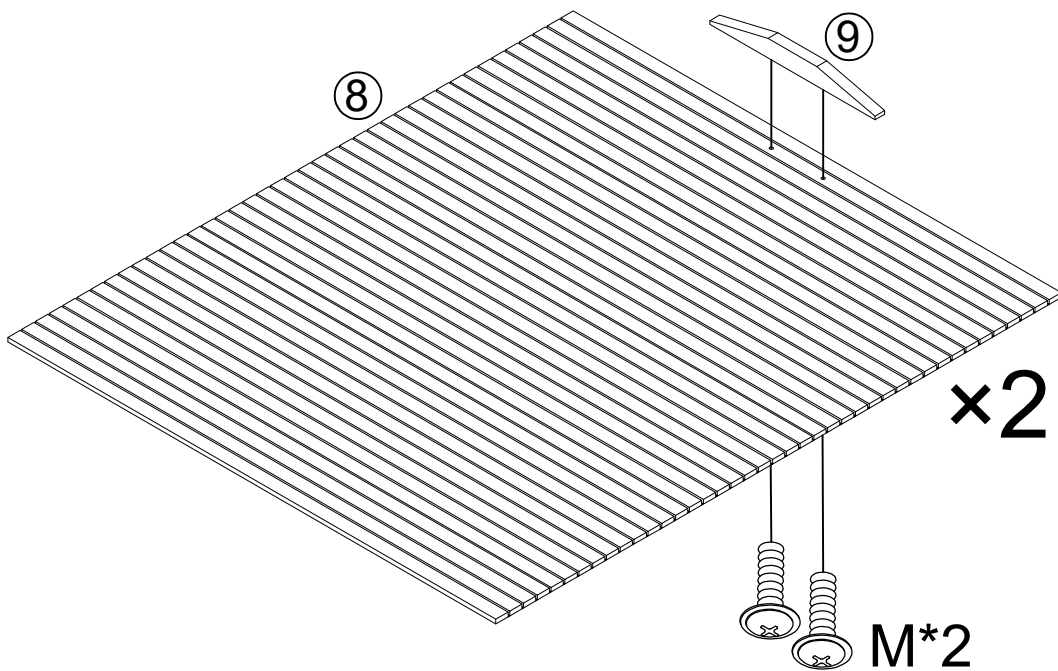


B	x6	J	x4
			
ø15mm		Ø20mm	

3

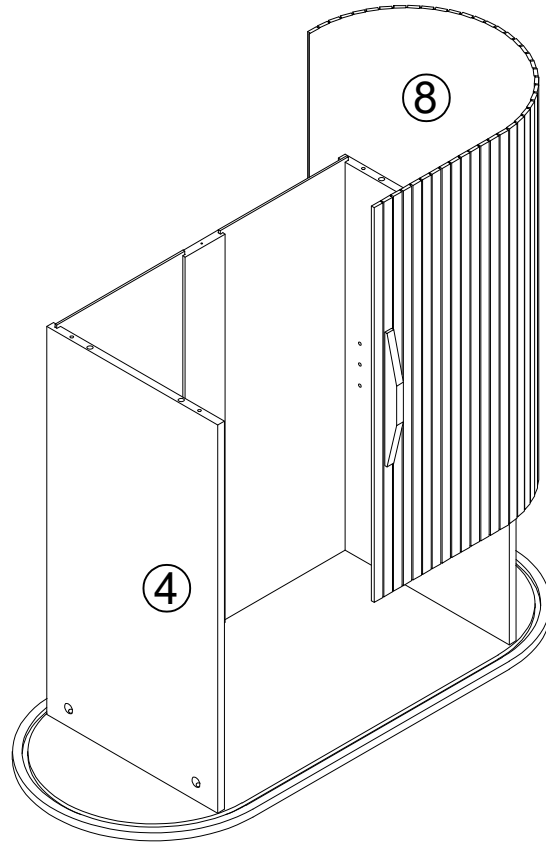


4

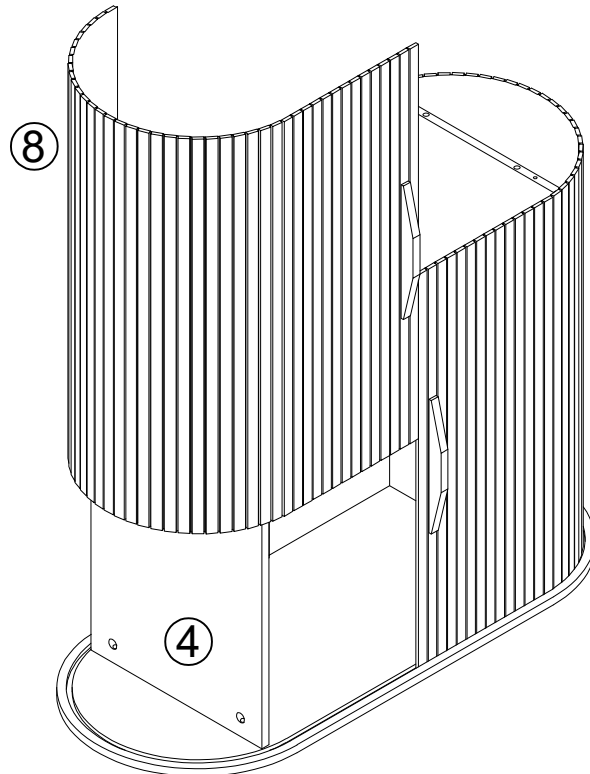


M	x4
M4*15mm	

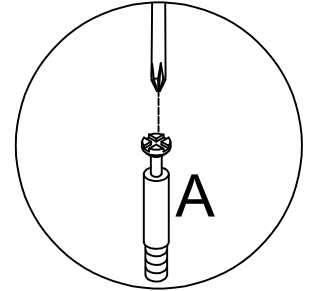
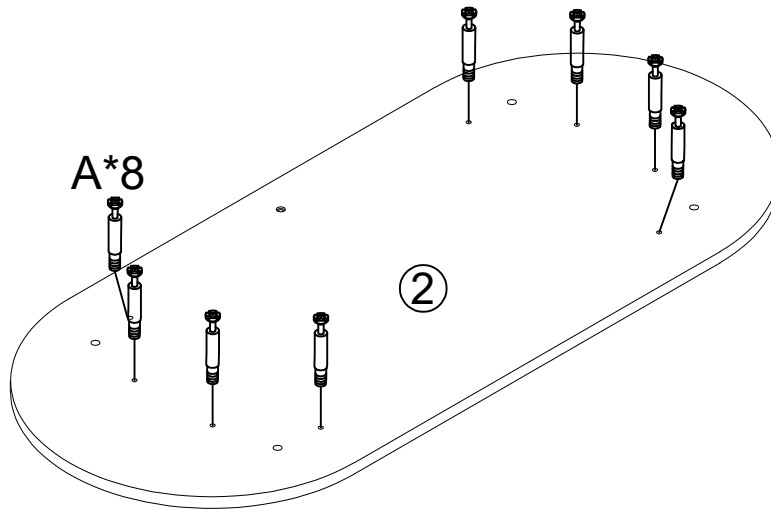
5

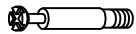


6

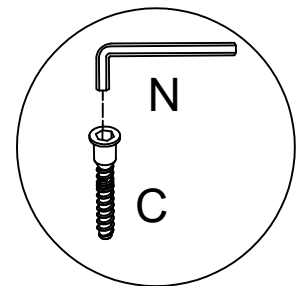
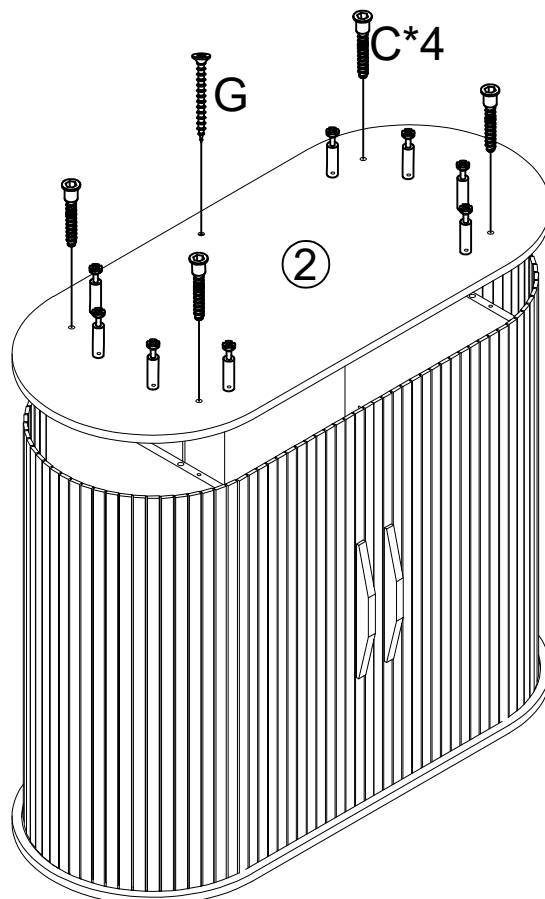



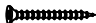

7



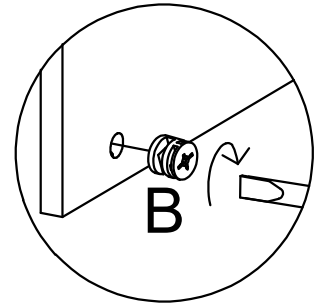
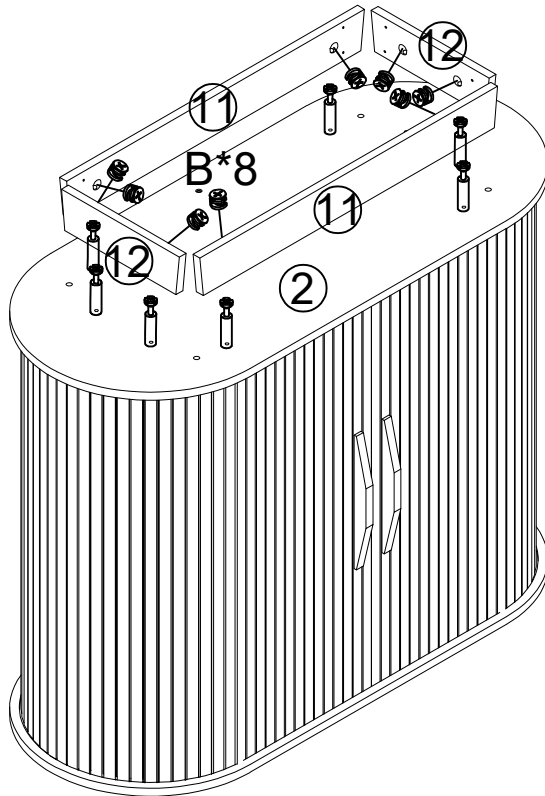
A	×8
	
M6*35mm	


8



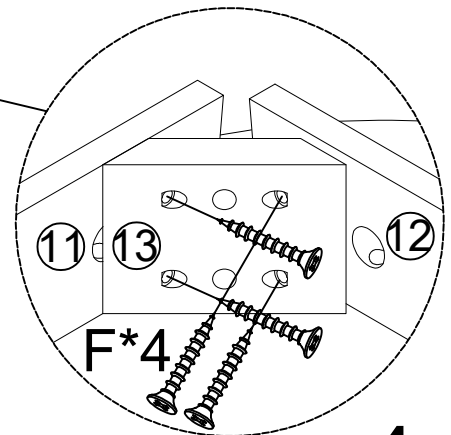
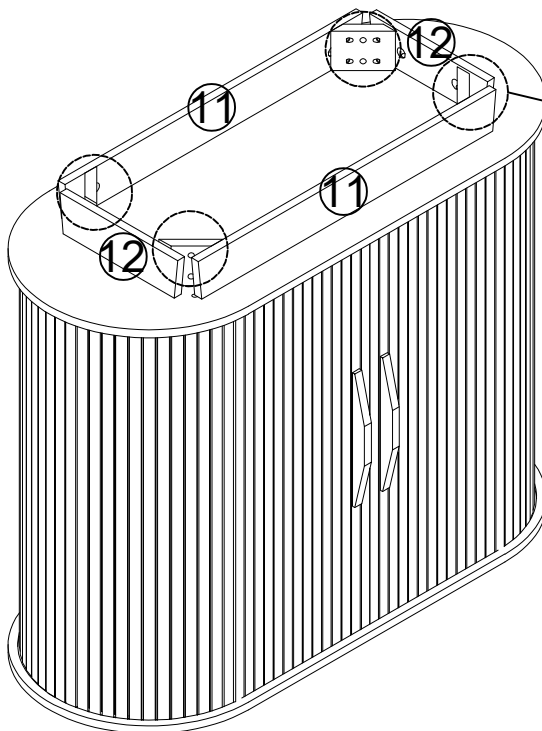
C	×4	G	×1	N	×1
					
M7*50mm		ø4*35mm		M4	

9

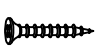


B	x8
	
$\phi 15\text{mm}$	

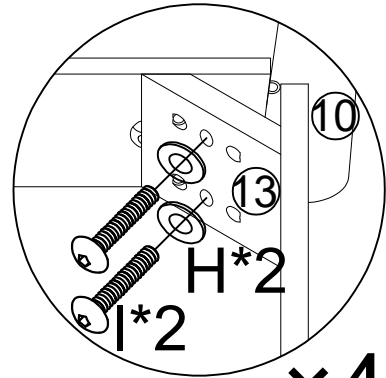
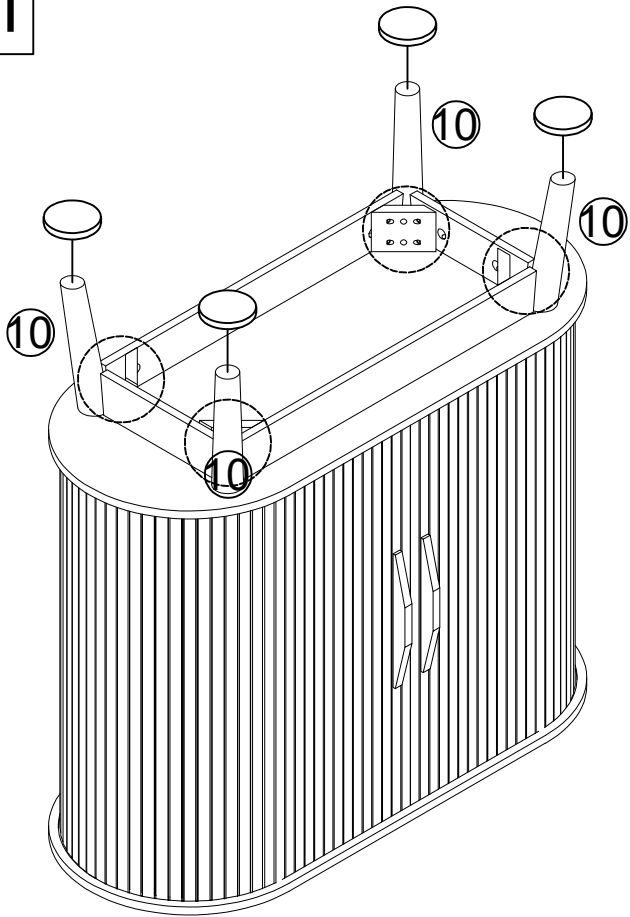
10







x4

F	x16
	
$\phi 3.5 \times 20\text{mm}$	

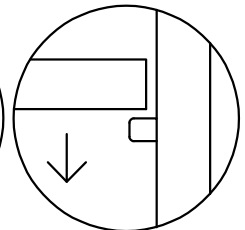
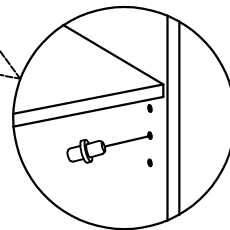
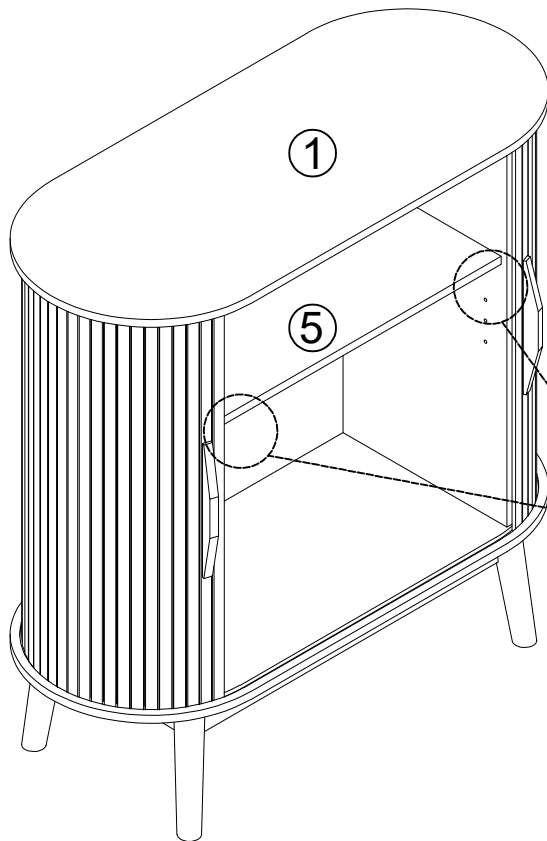
11




x4

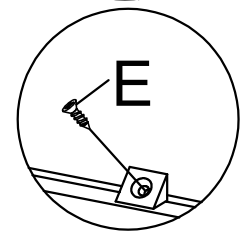
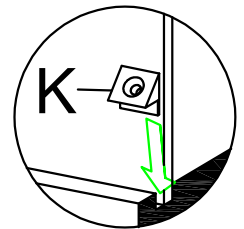
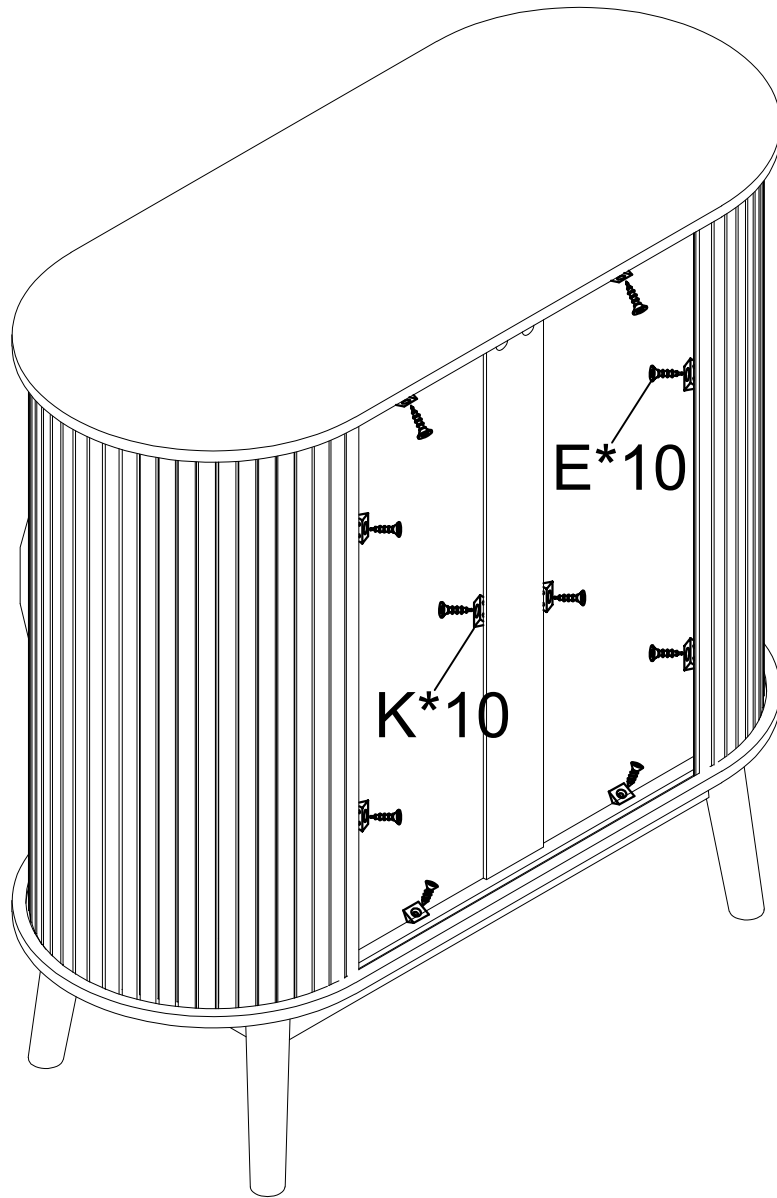
O	x4	H	x8	I	x8	N	x1
							
Ø30mm				M6*60mm		M4	



12



L	x4
	

13



E	×10	K	×10
			
Ø3.5*14mm			