

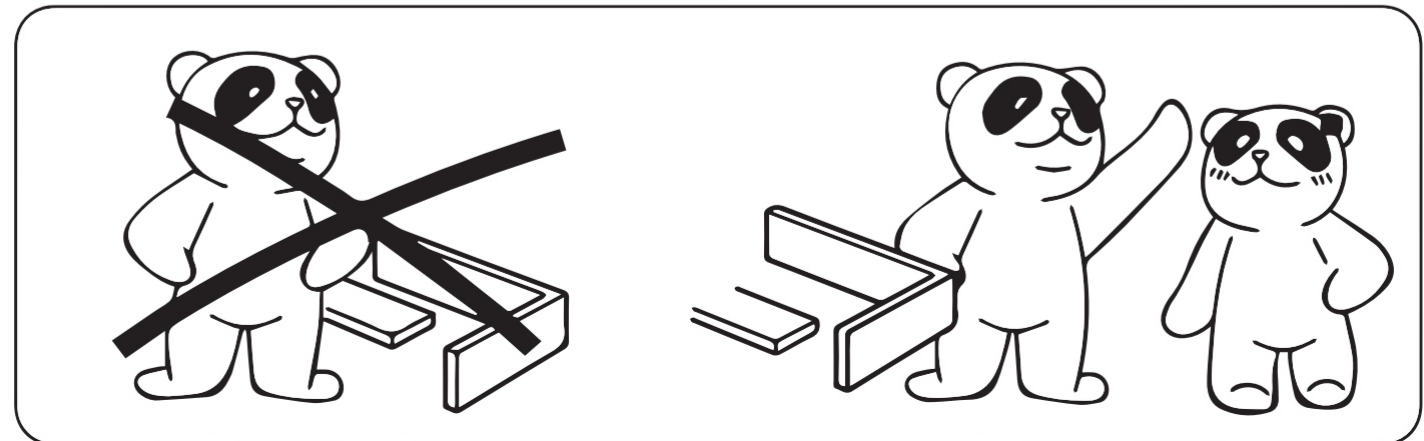
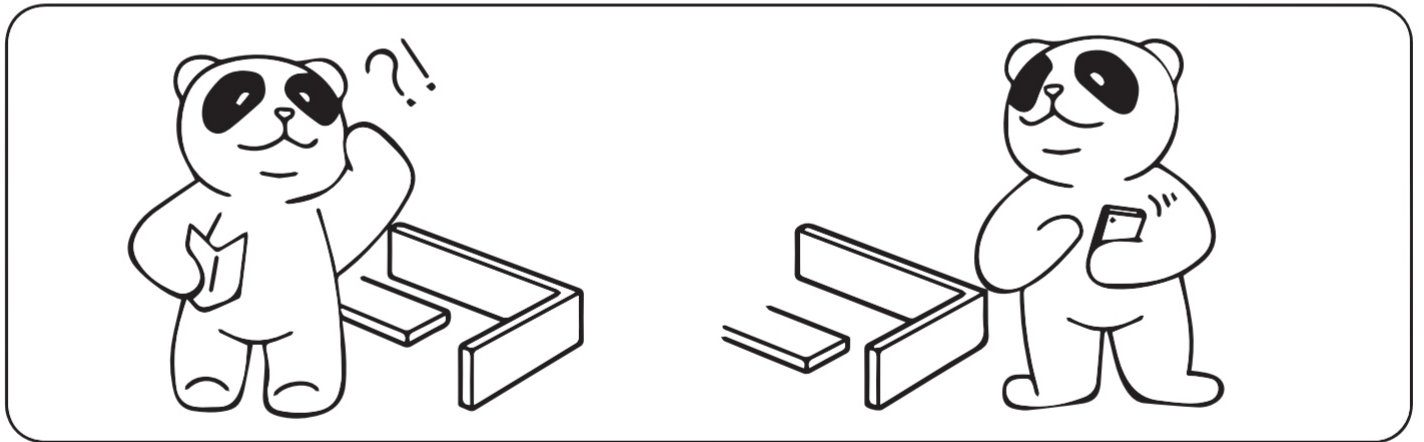
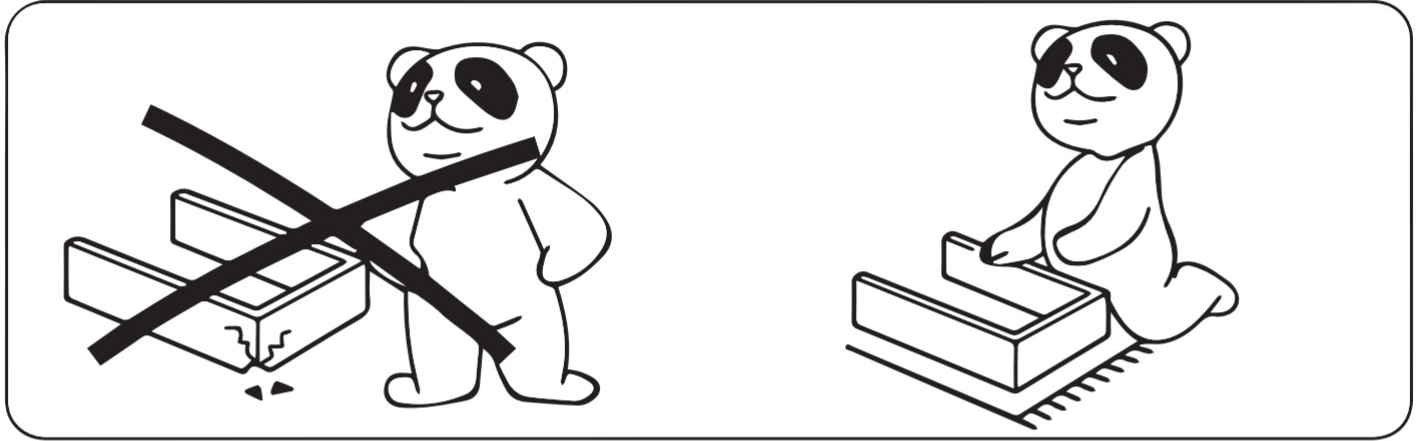
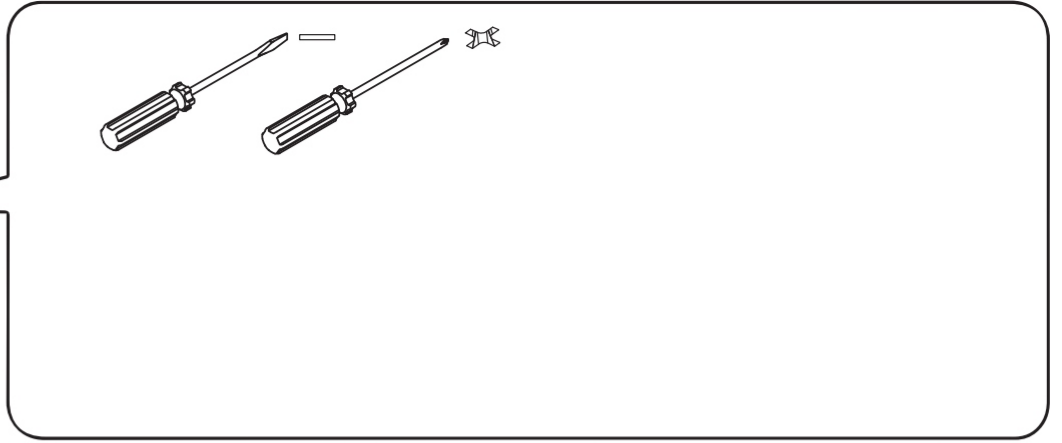


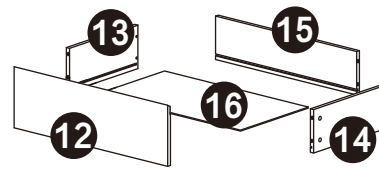
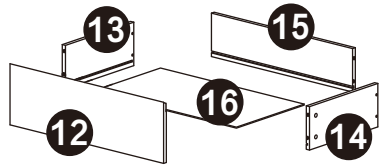
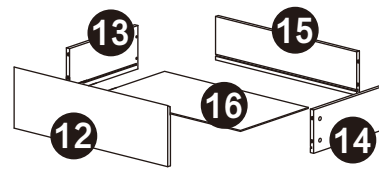
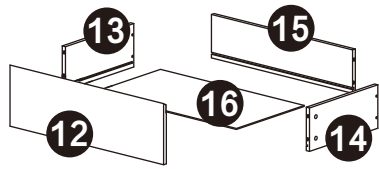
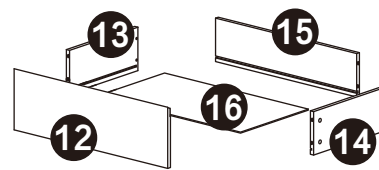
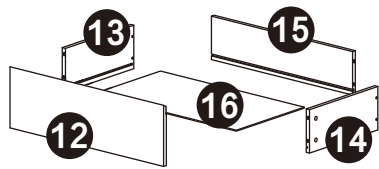
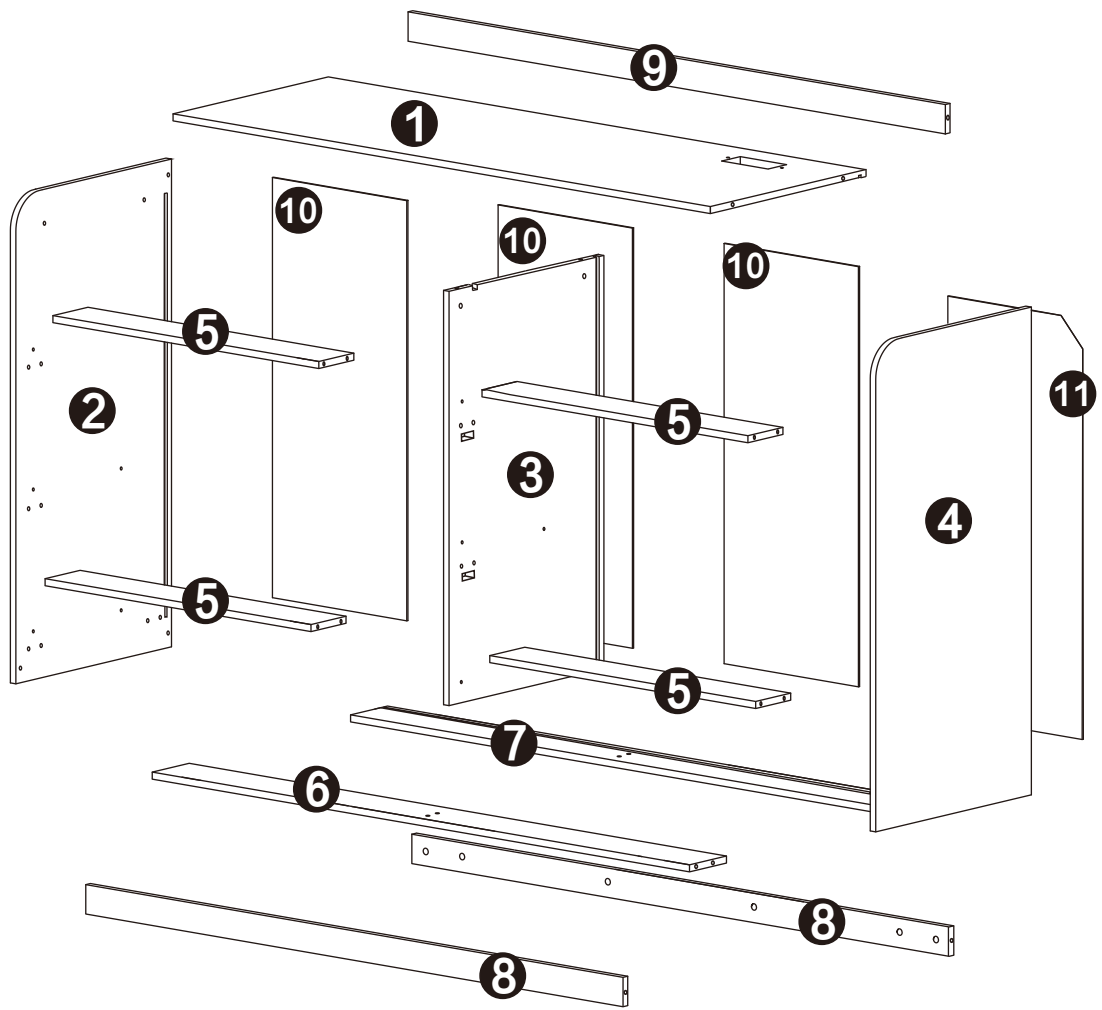
UXKCG006

Instruction Manual







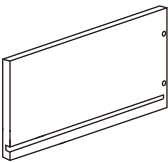
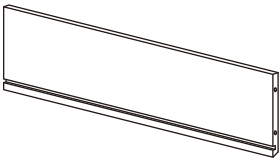
Thanks a lot your support and purchasing.


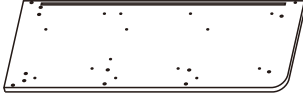
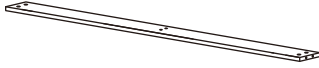
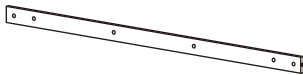

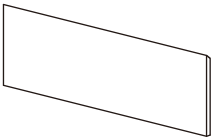
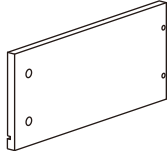

Please feel free to contact us if you have any questions with assembly or need replacement parts.




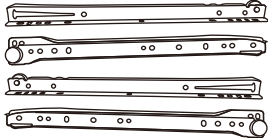
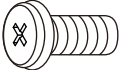
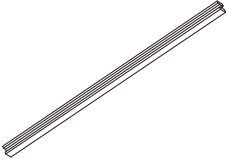
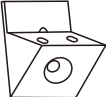







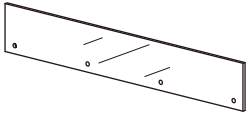
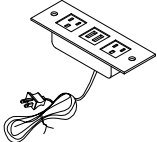
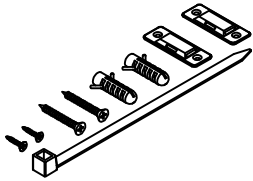
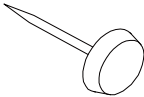
PARTS LIST

Project Number.	Refer to the diagram.	Quantity.
1		x1
3		x1
5		x4
7		x1
9		x1
11		x1
13		x6
15		x6

Project Number.	Refer to the diagram.	Quantity.
2		x1
4		x1
6		x1
8		x2
10		x3
12		x6
14		x6
16		x6

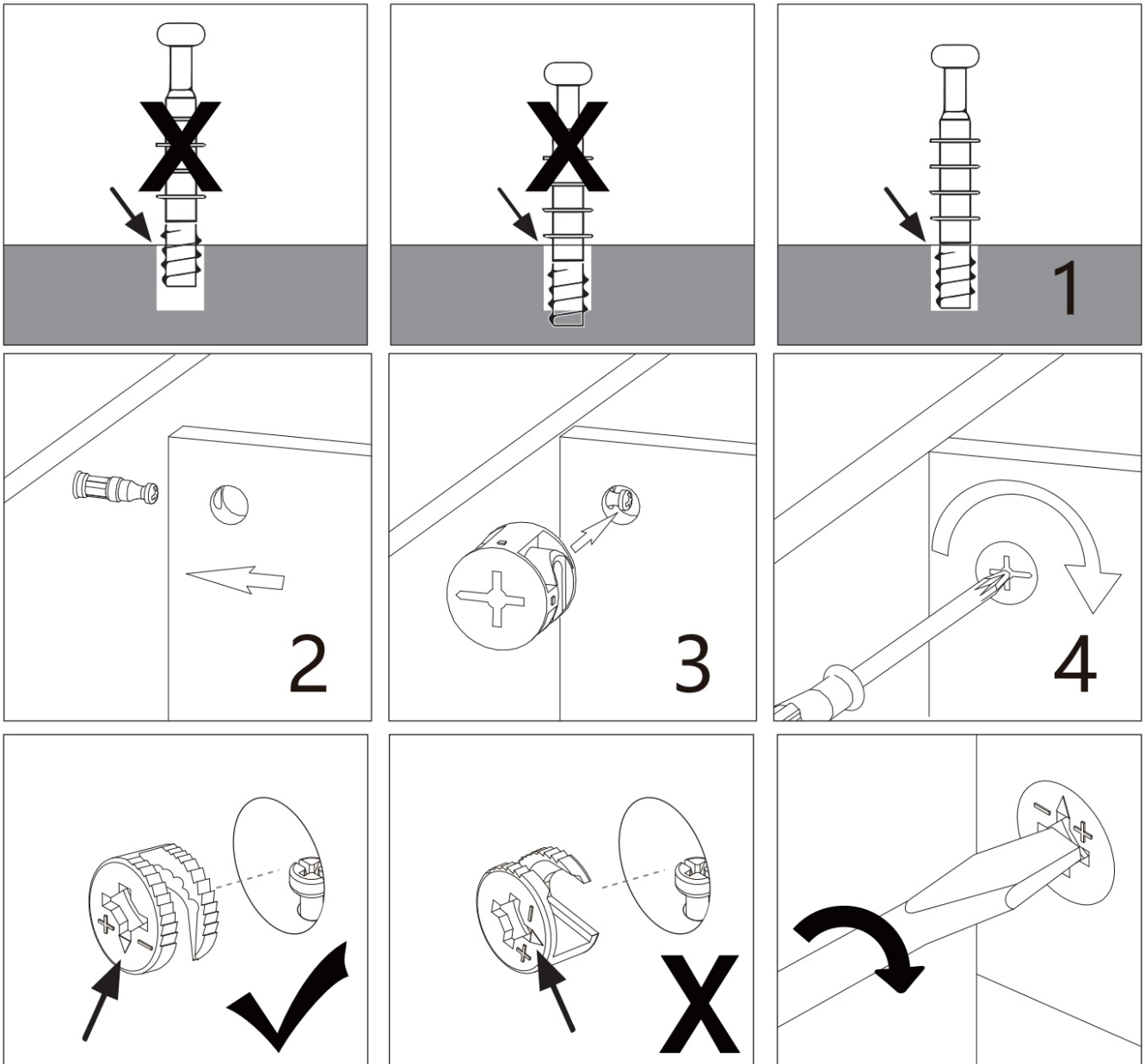
HARDWARE LIST

Project Number.	Refer to the diagram.	Quantity.
Ⓐ		x72
Ⓒ		x6
Ⓔ		x24
Ⓖ		x2
Ⓘ		x14
Ⓚ		x18
Ⓜ		x1

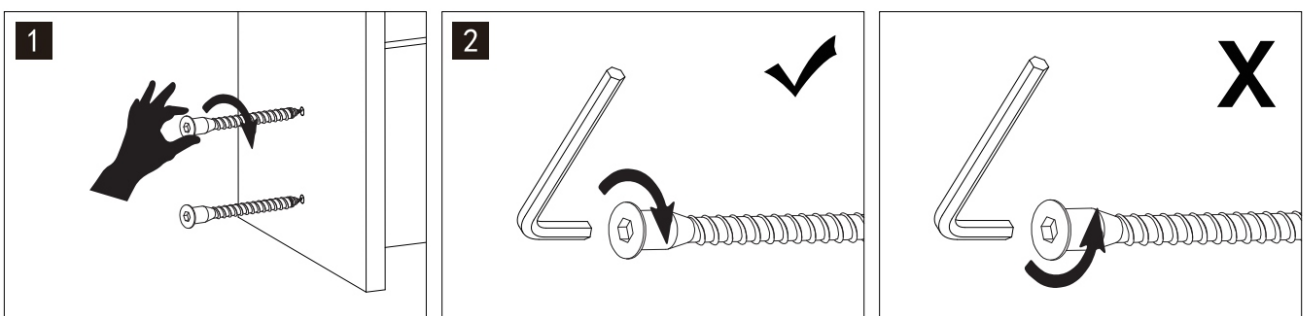
Project Number.	Refer to the diagram.	Quantity.
Ⓑ		x72
Ⓓ		x28
Ⓕ		x90
Ⓗ		x6
Ⓝ		x1
Ⓛ		x2
Ⓝ		x8

Hardware installation indication

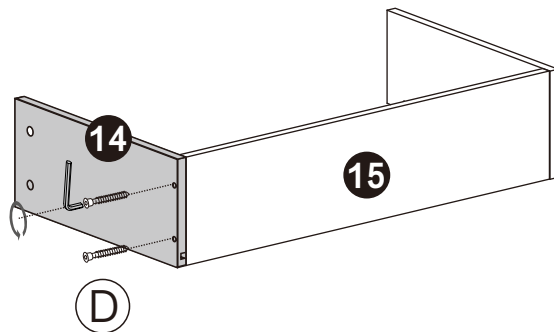
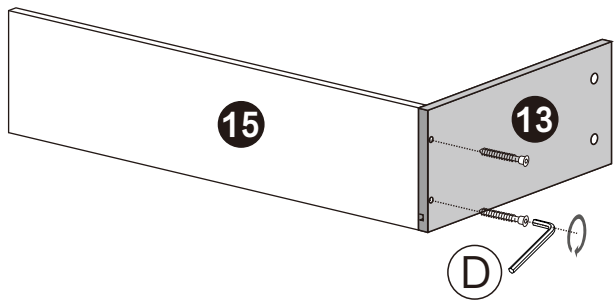
Installation method of three in one rod and buckle



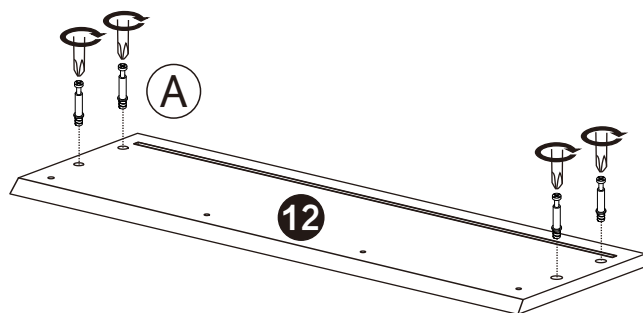
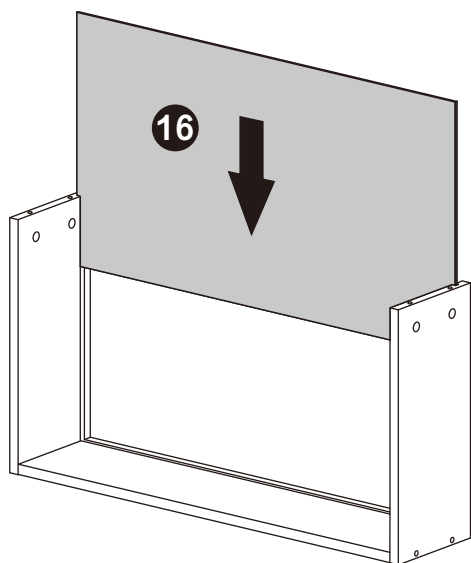
Screw installation method

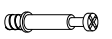



1

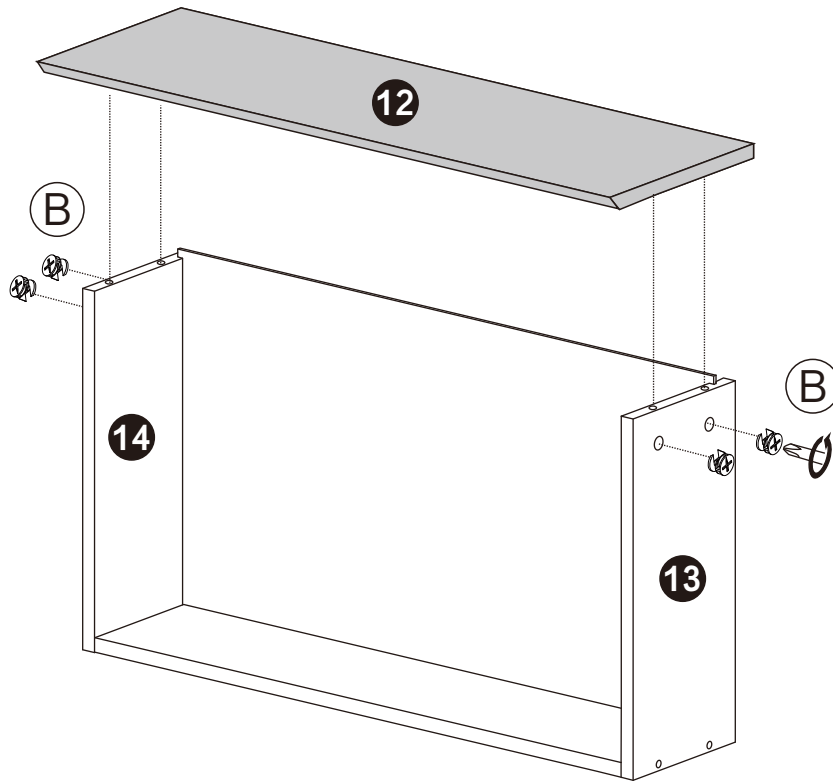


X6



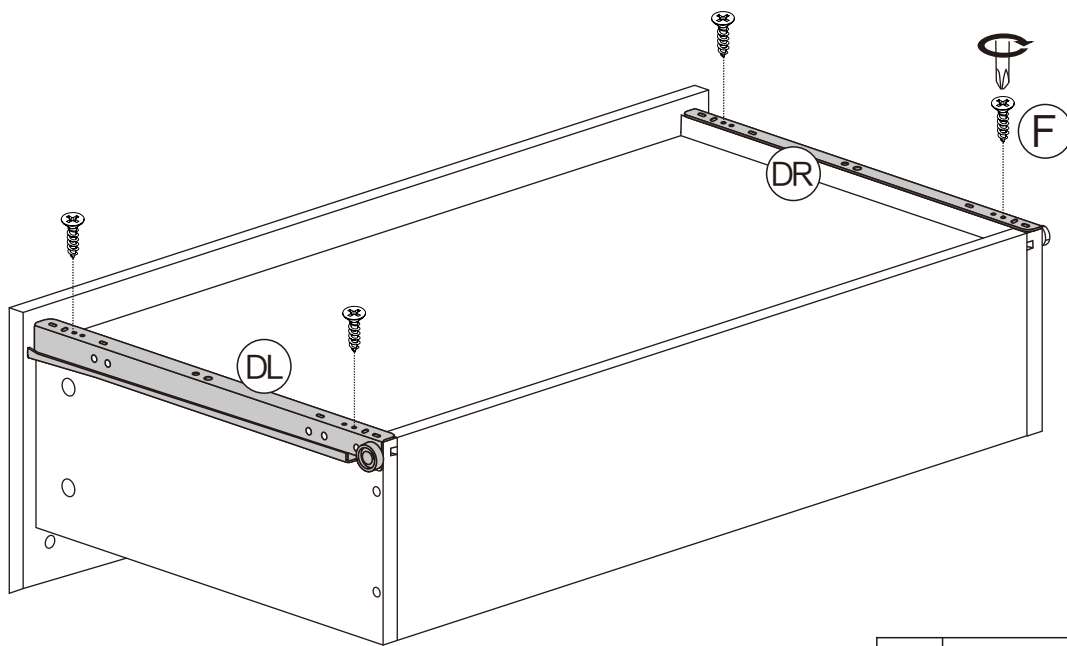
A		x24
D		x24




2

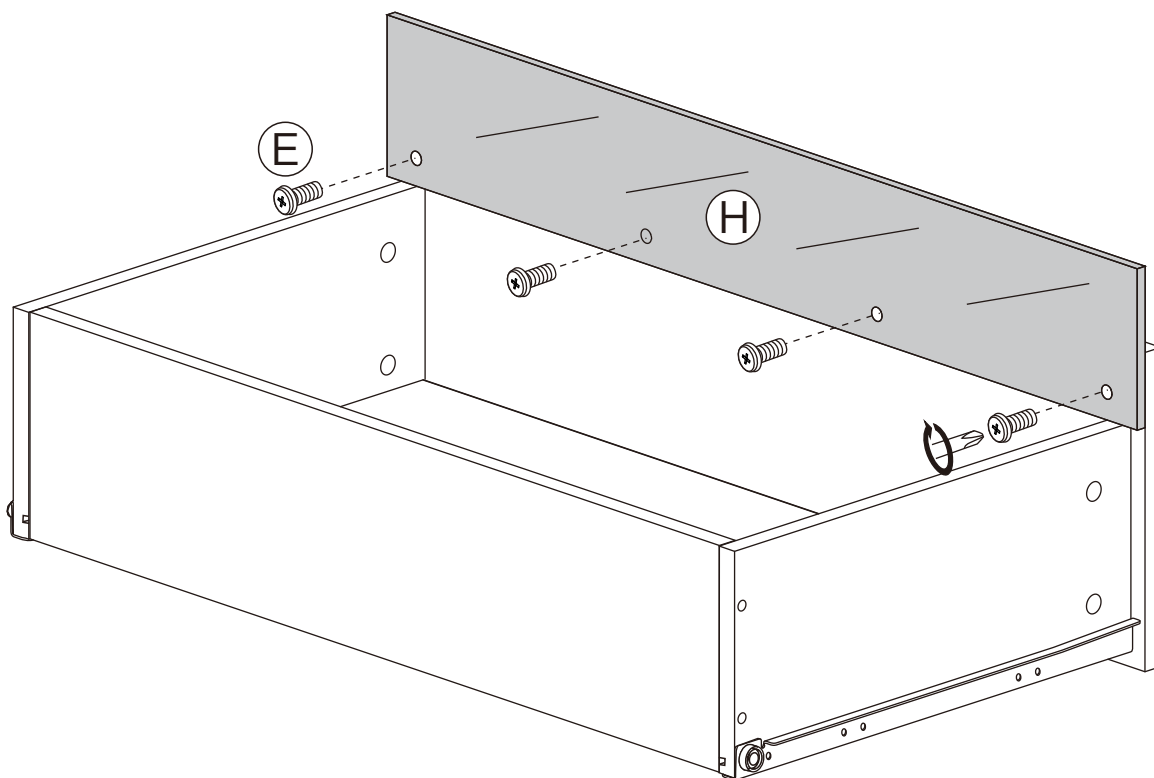



B		x24
---	---	-----

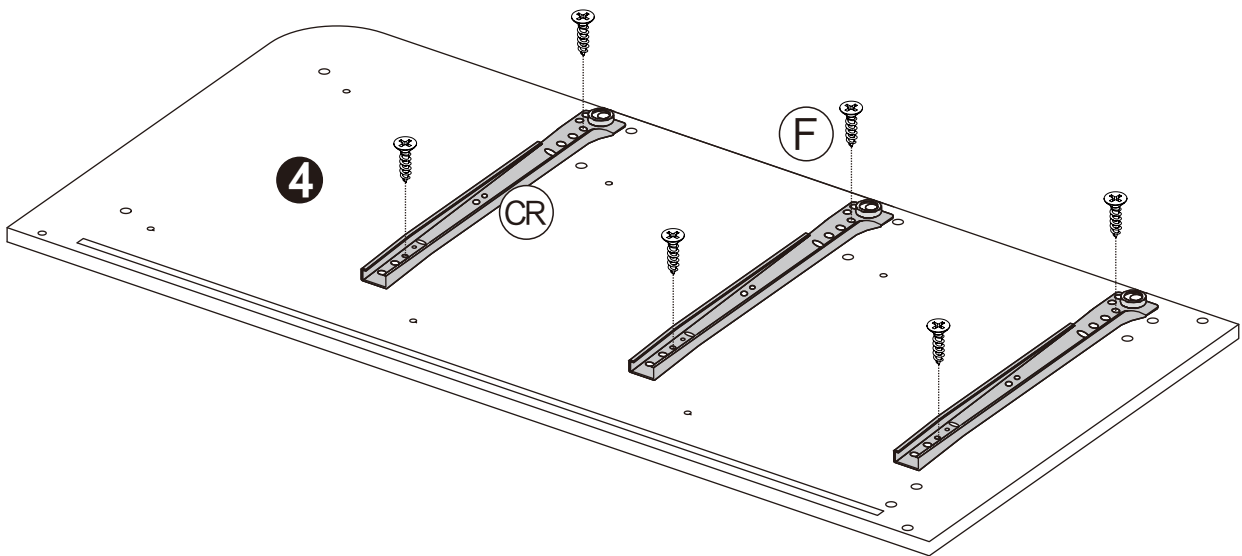
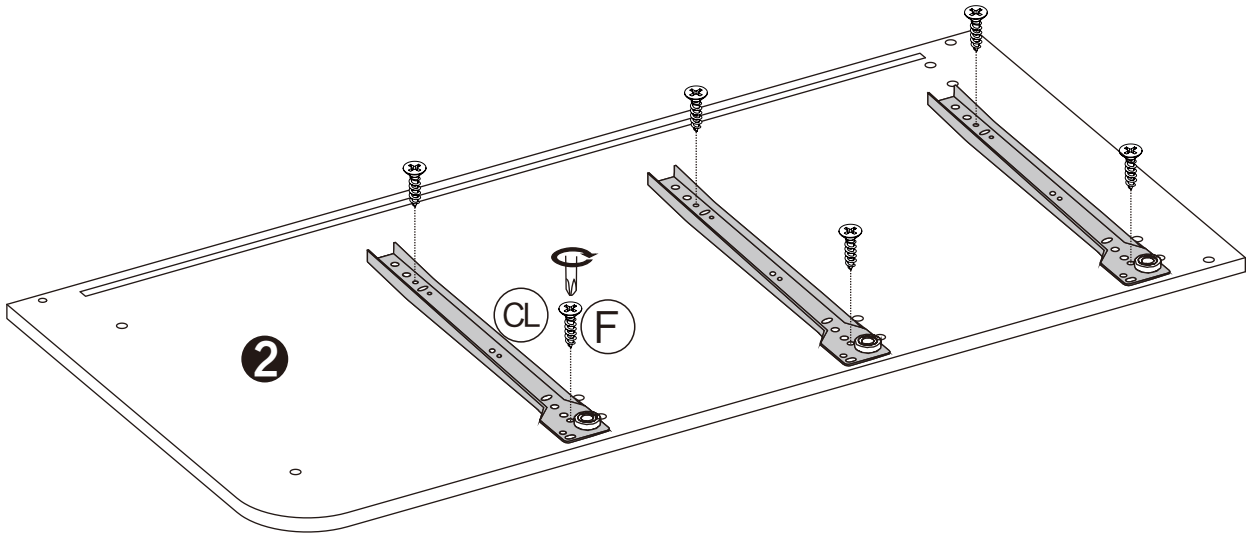
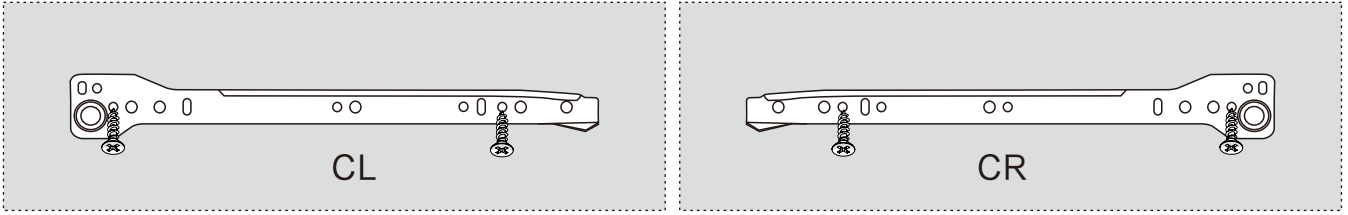
X6






DL		x6
DR		x6
F		x24

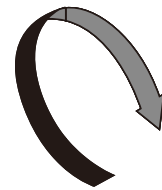
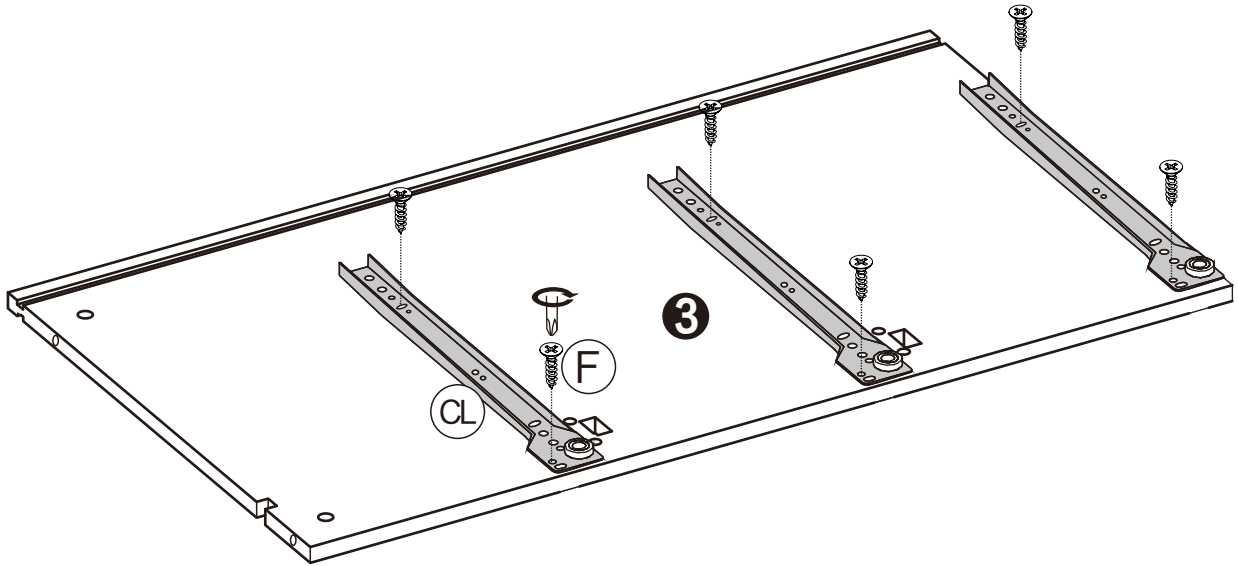
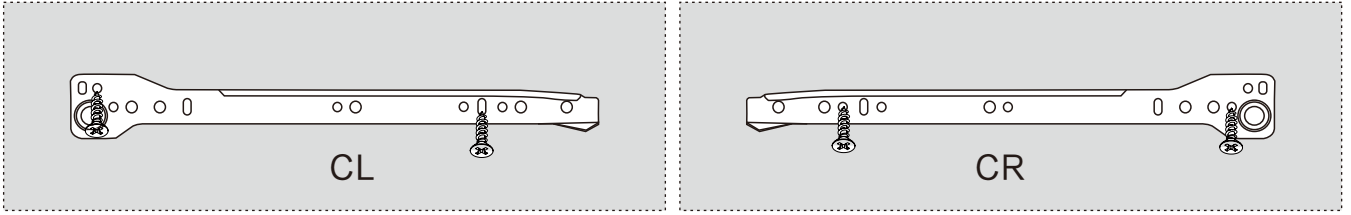


E		x24
---	---	-----

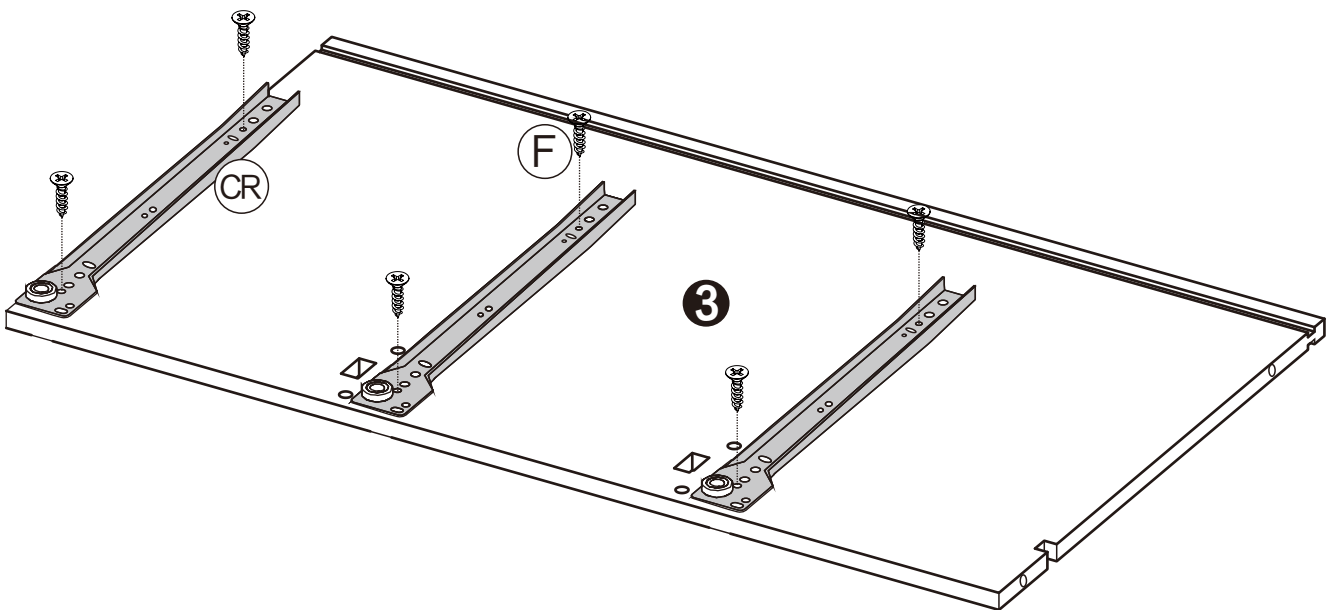


CL		x3
CR		x3
F		x12

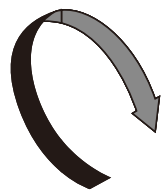
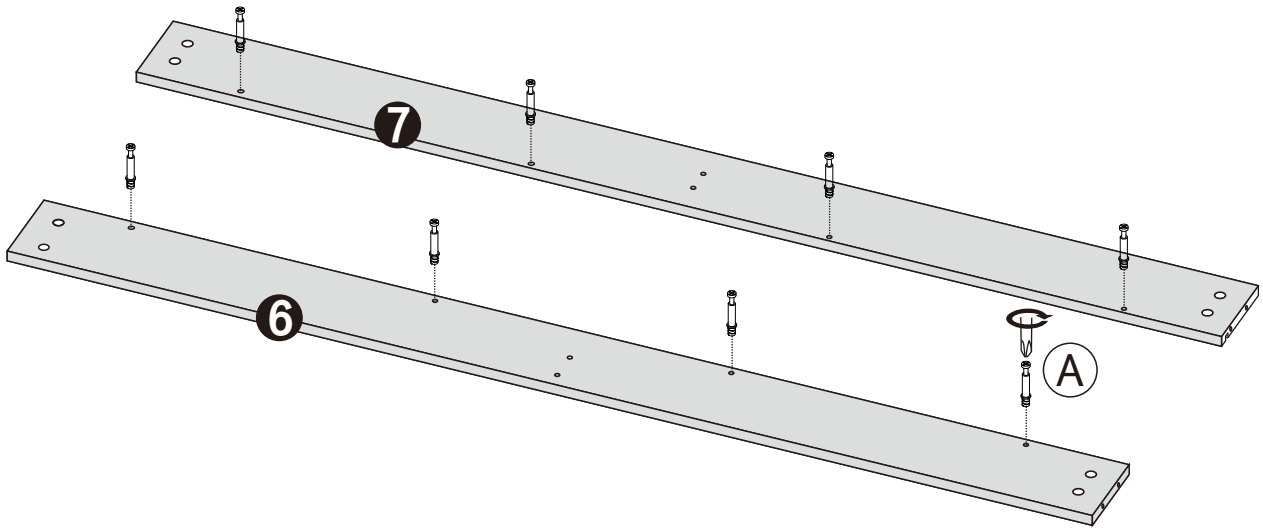
5



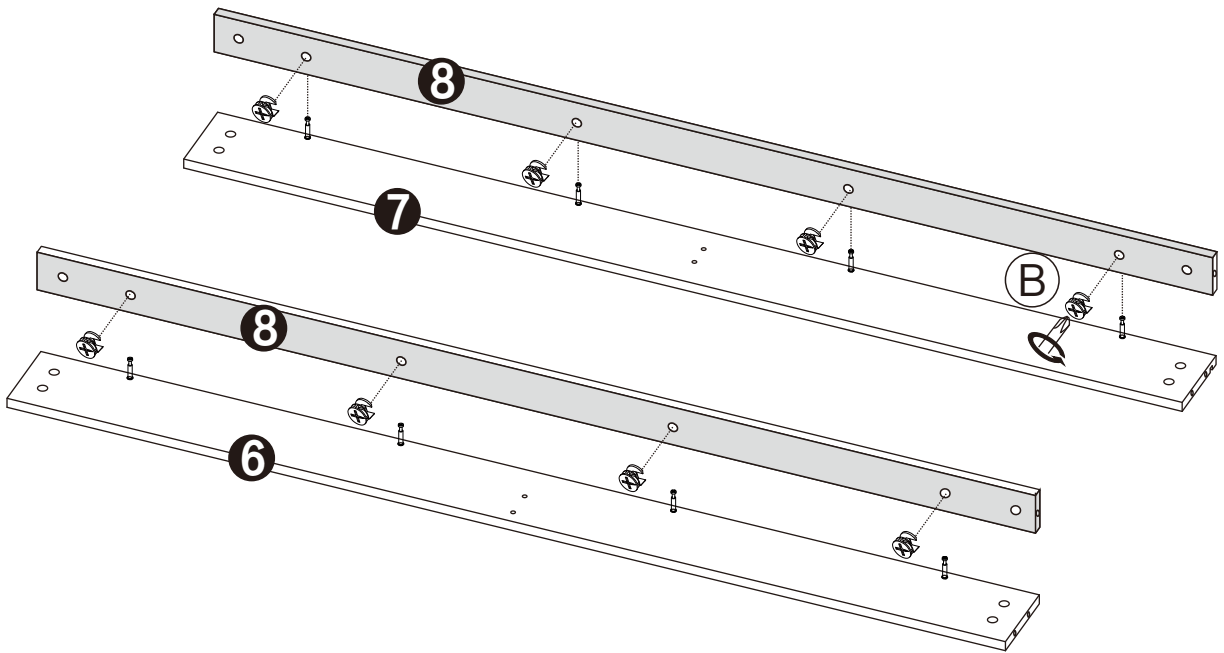
flip over

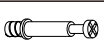



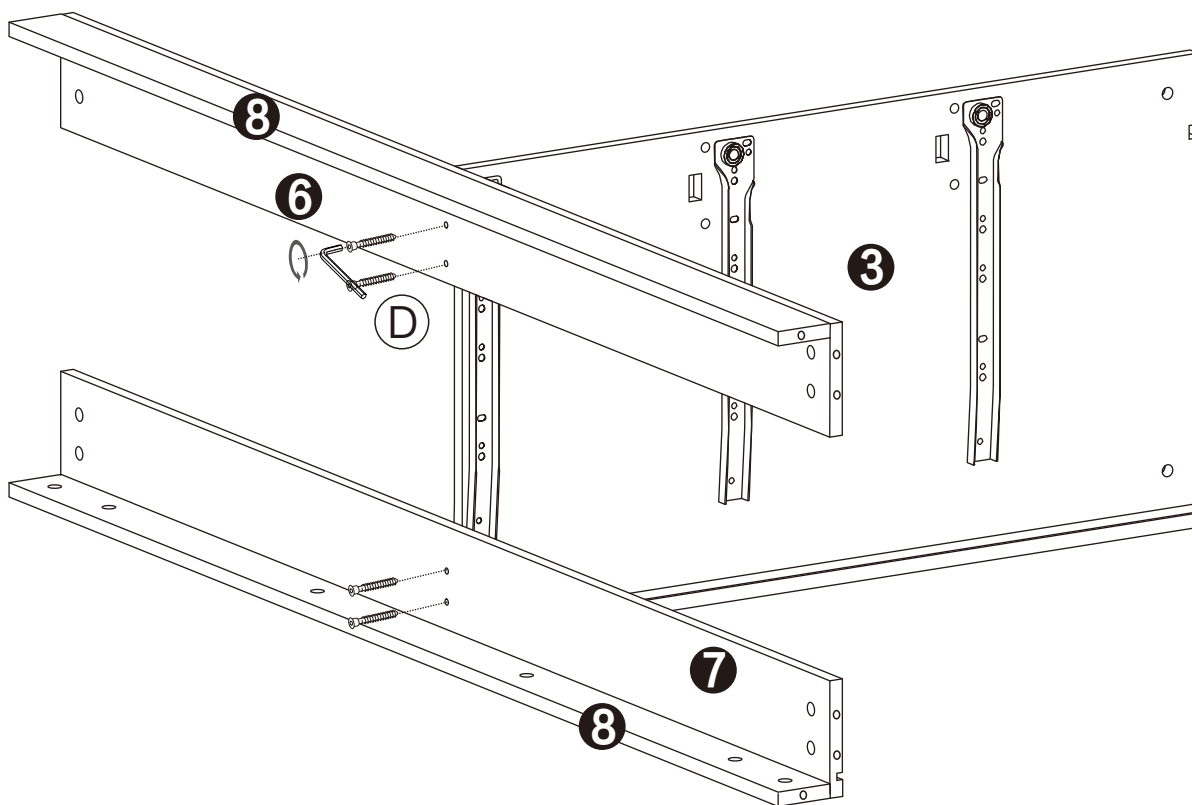
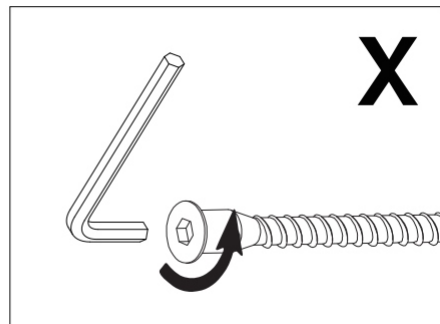
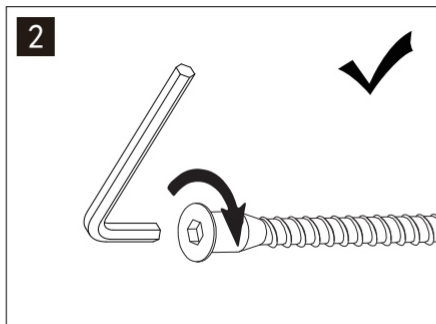
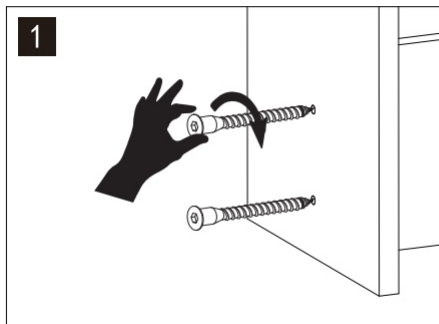
CL		x3
CR		x3
F		x12




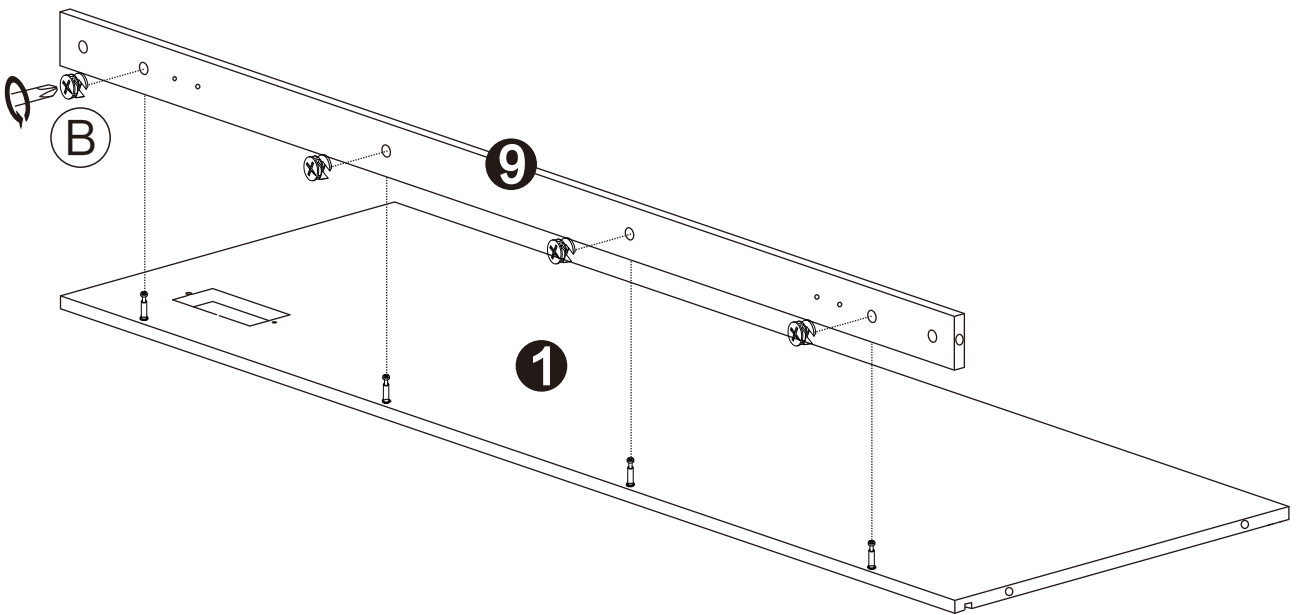
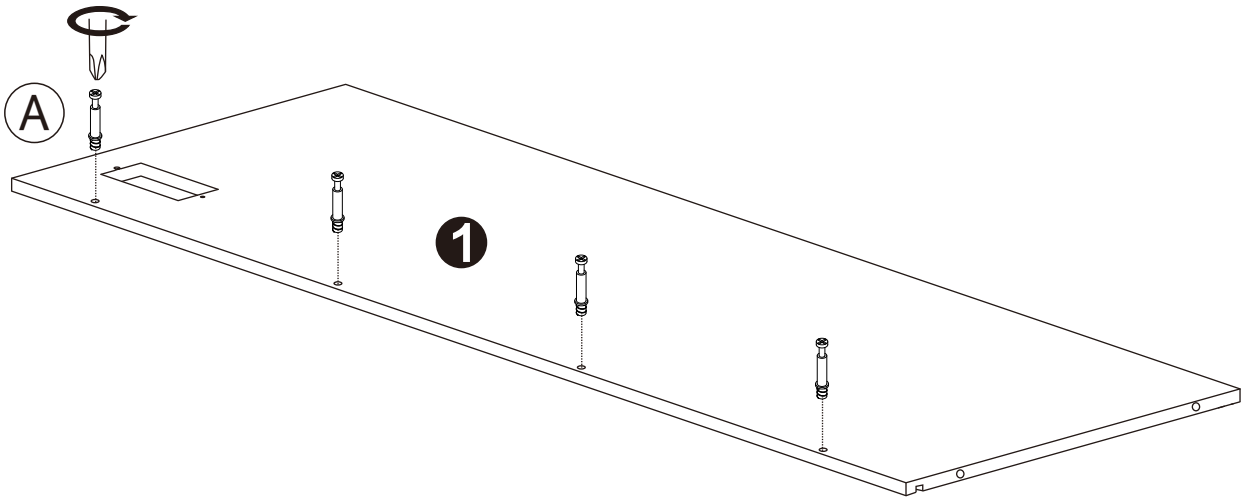
flip over





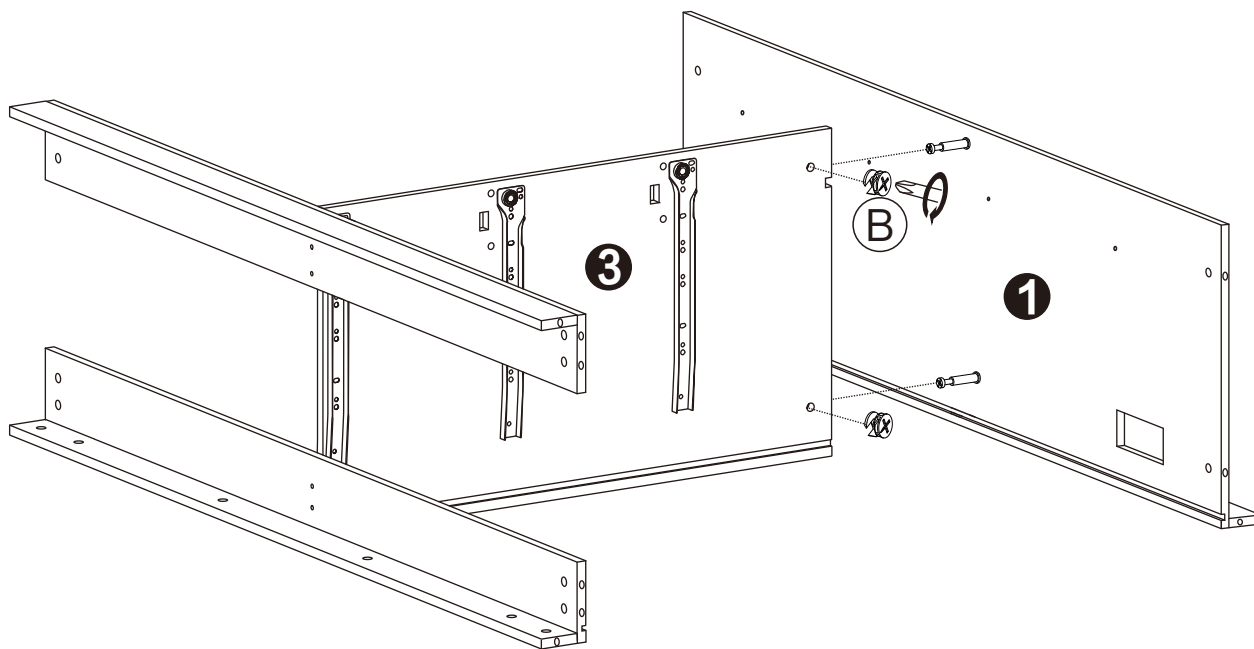
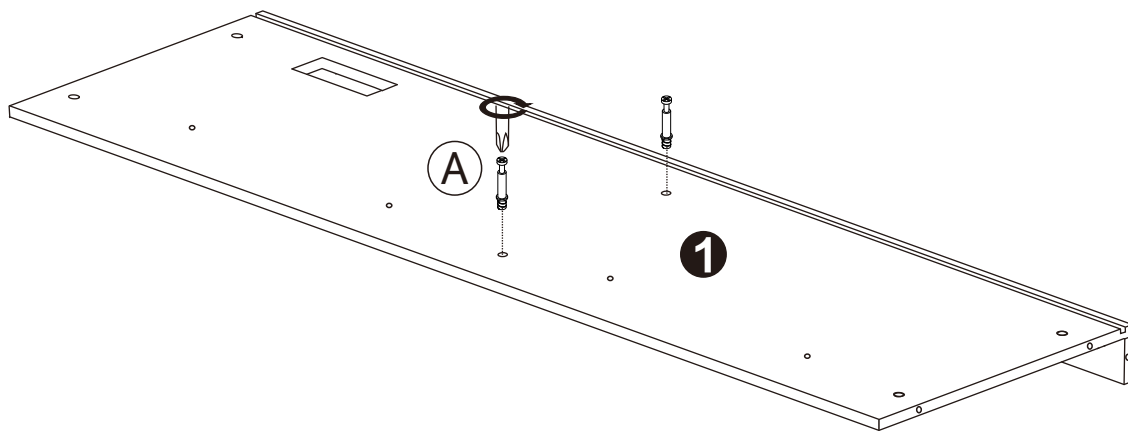
A		x8
B		x8

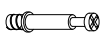



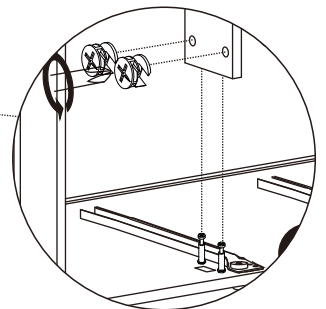
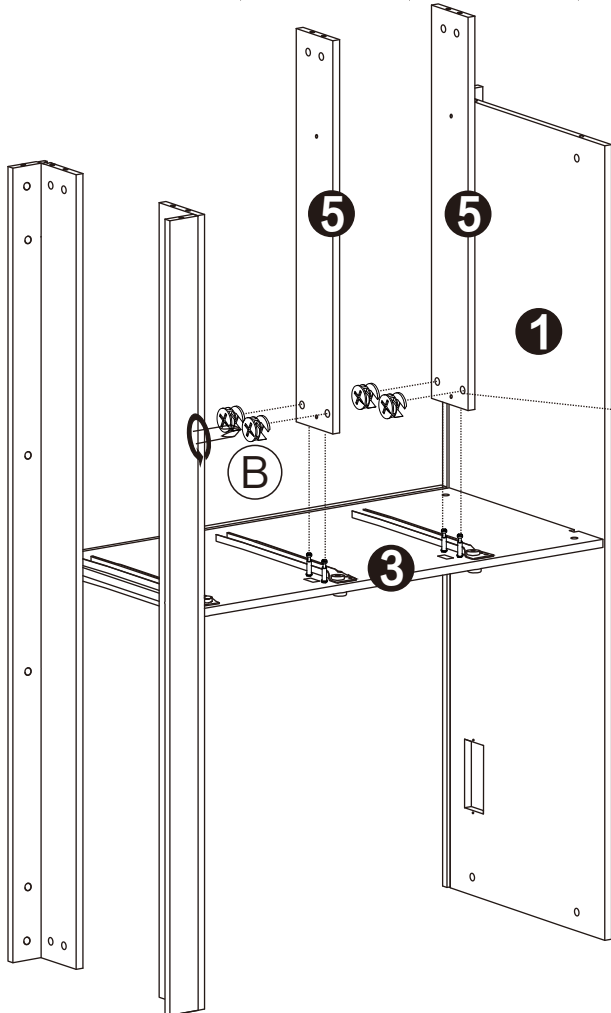
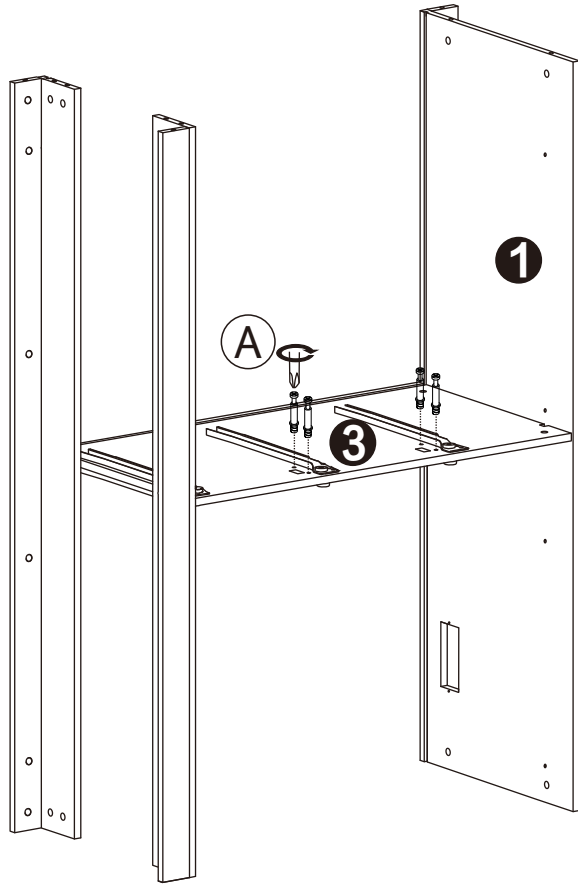
D		x4
---	---	----



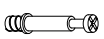

A		x4
B		x4

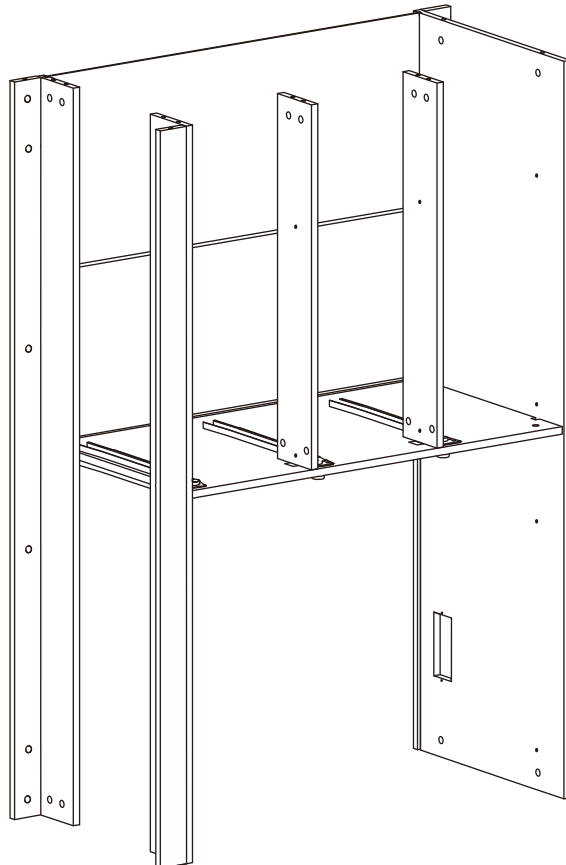
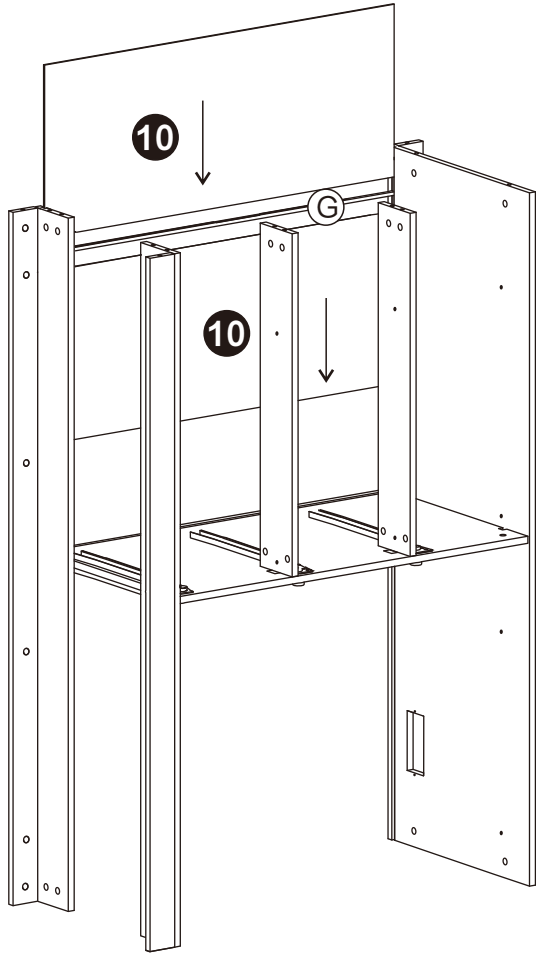


A		x2
B		x2

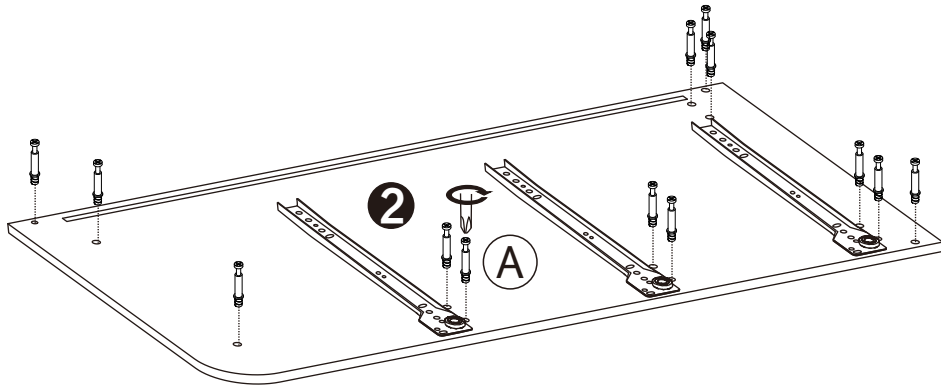


Large spacing
between holes

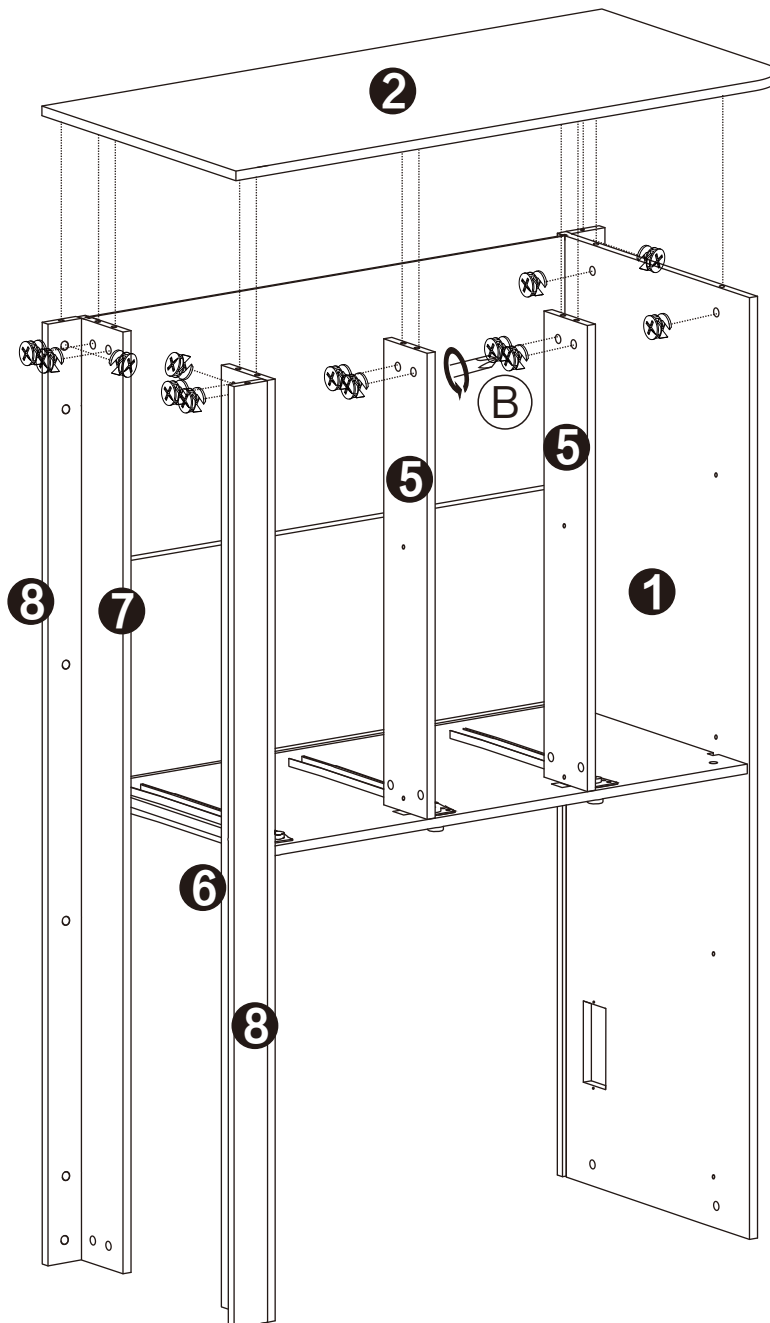
A		x4
B		x4

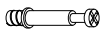



G		x1
---	---	----



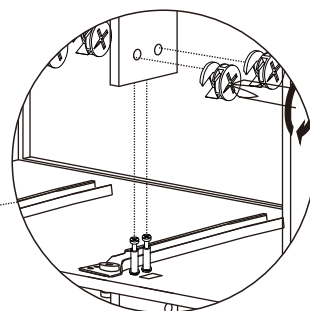
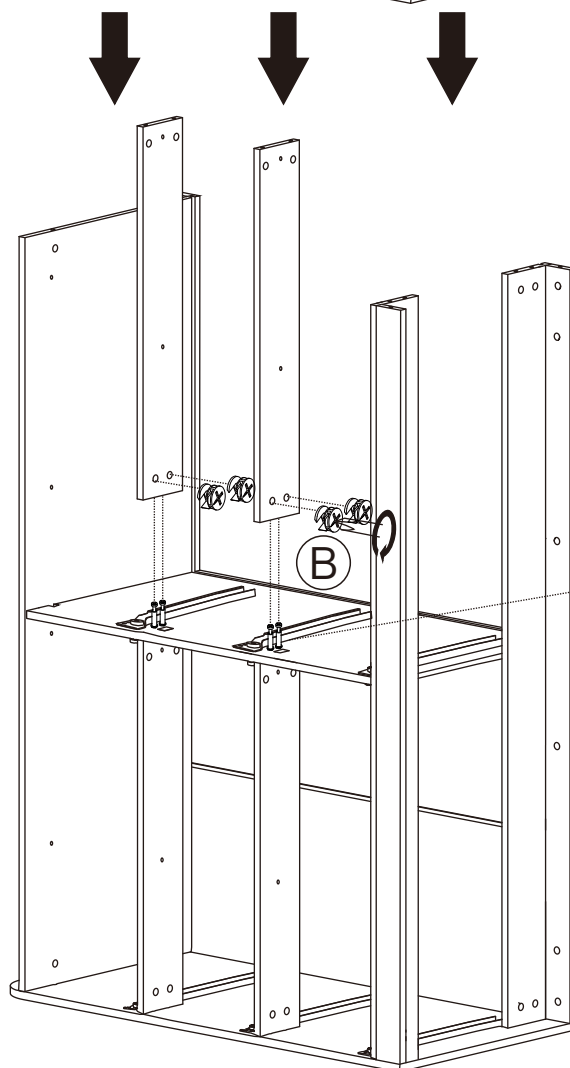
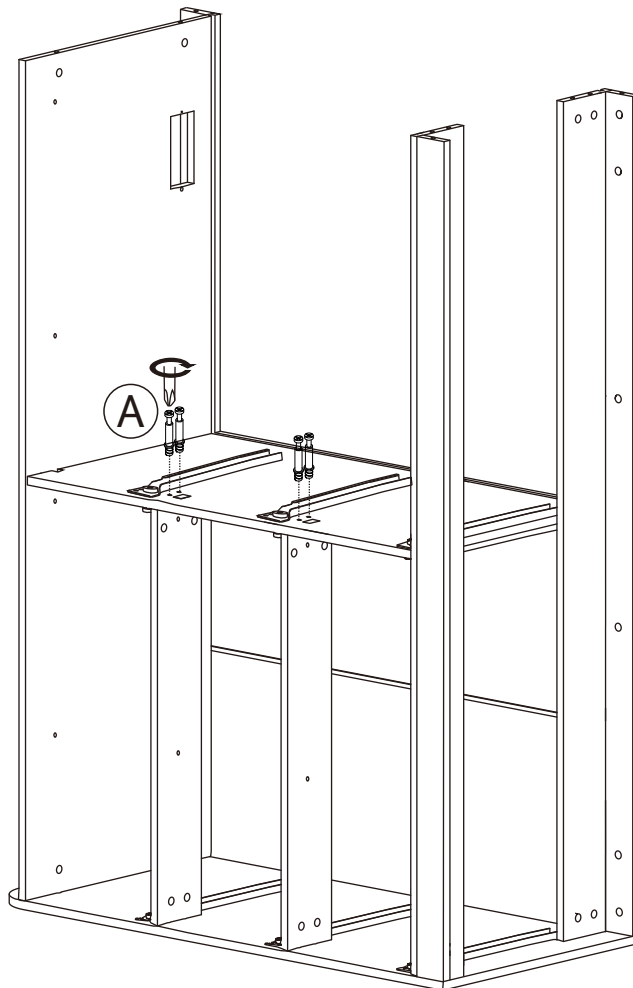
flip over



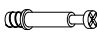

A		x13
B		x13

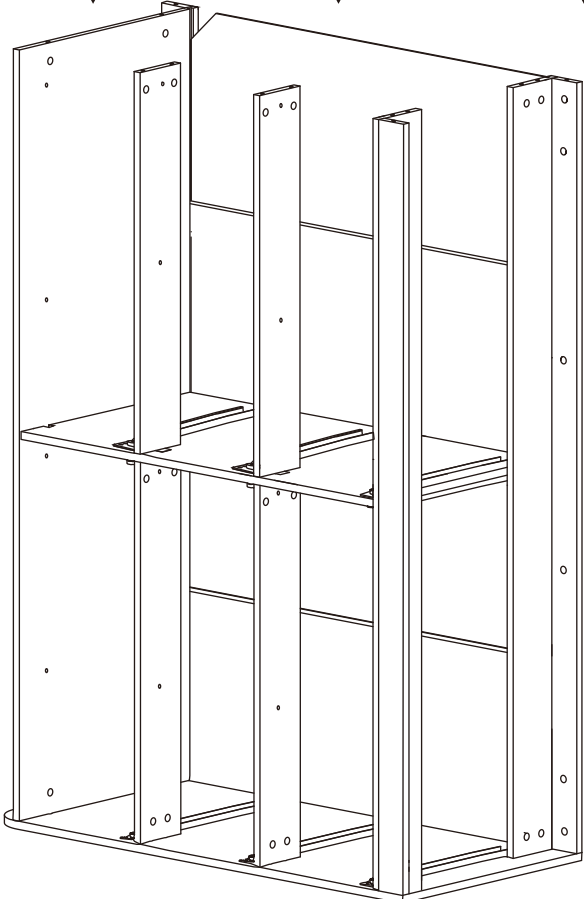
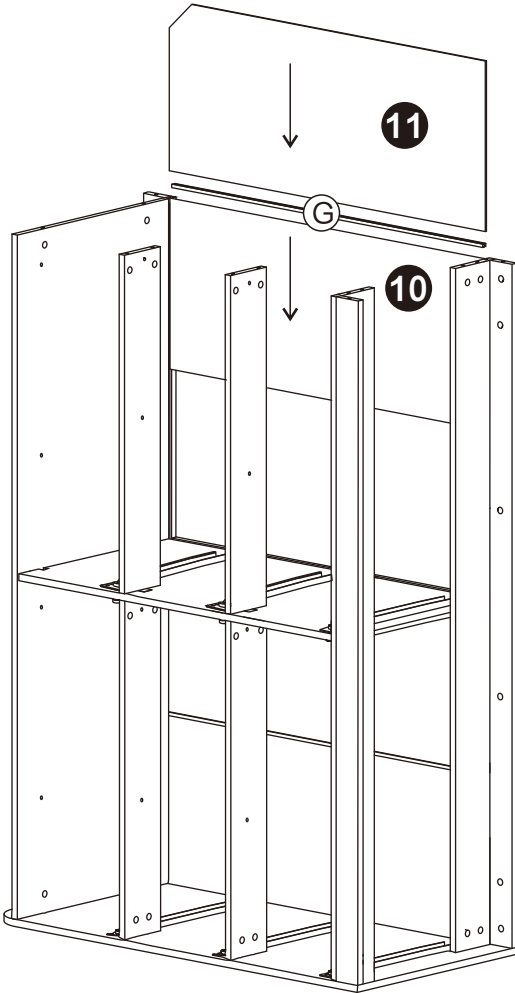
13


flip over

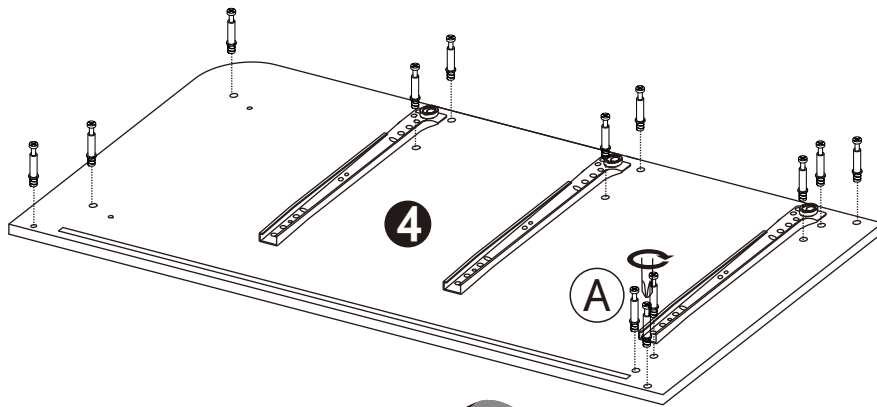


Small spacing between holes

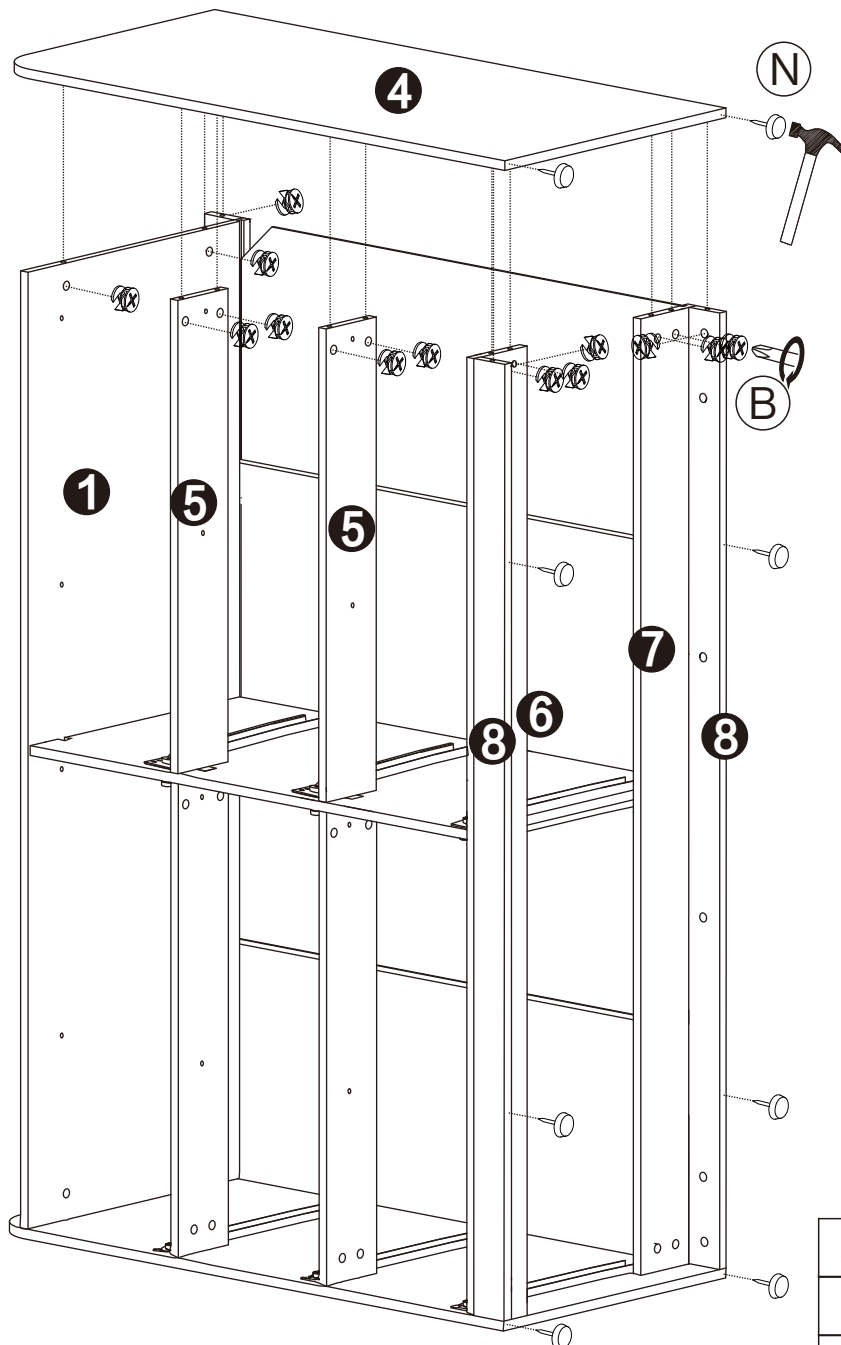
A		x4
B		x4






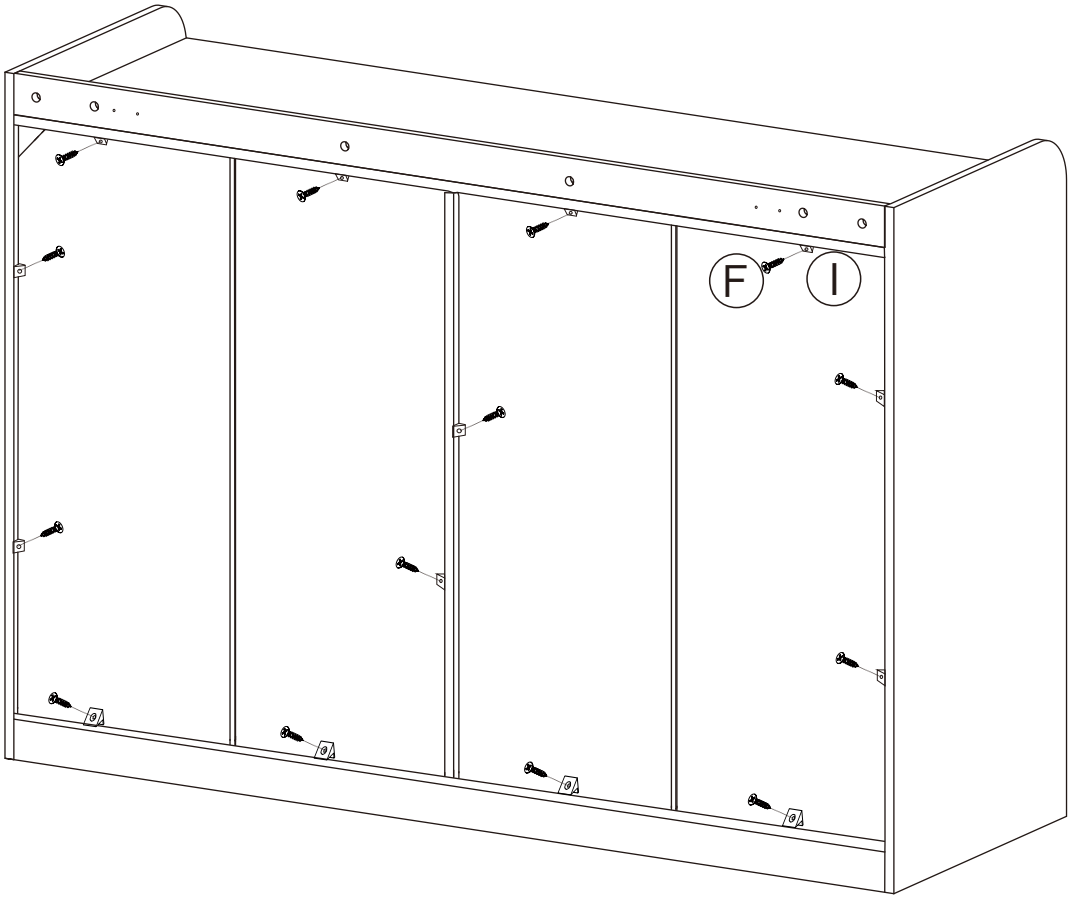
G		x1
---	---	----





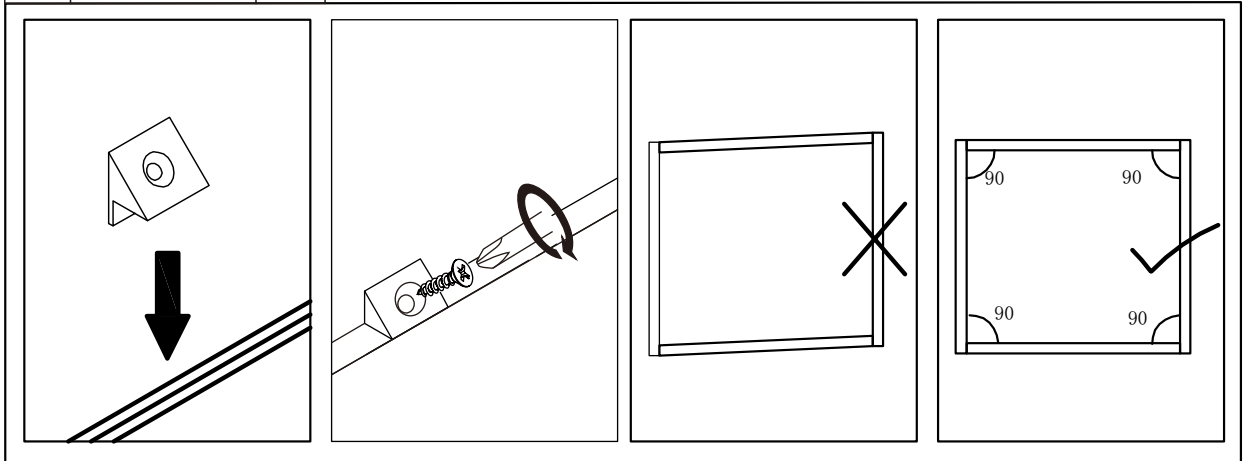
flip over

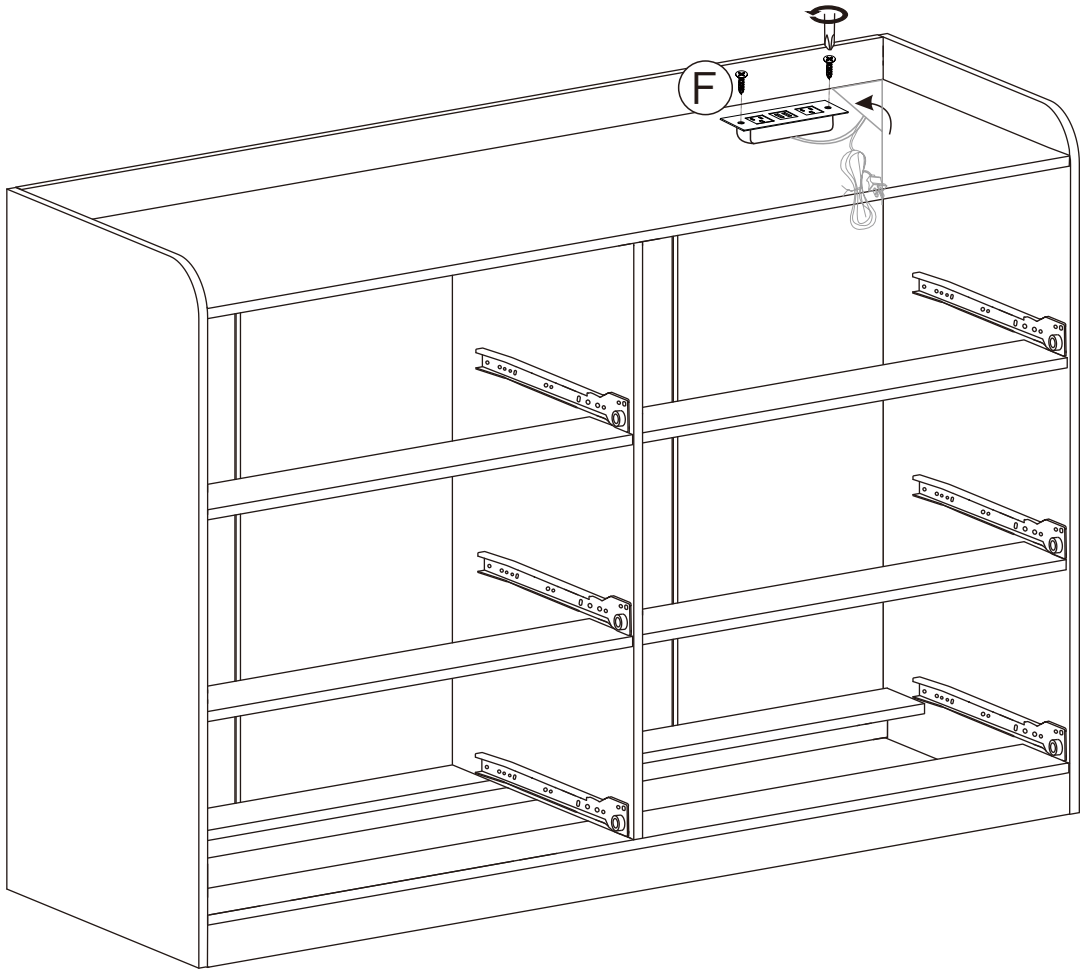
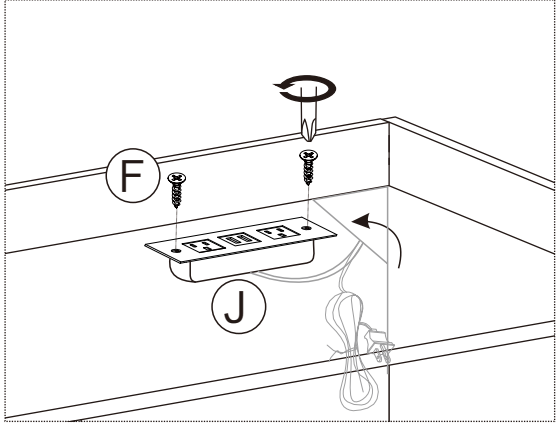
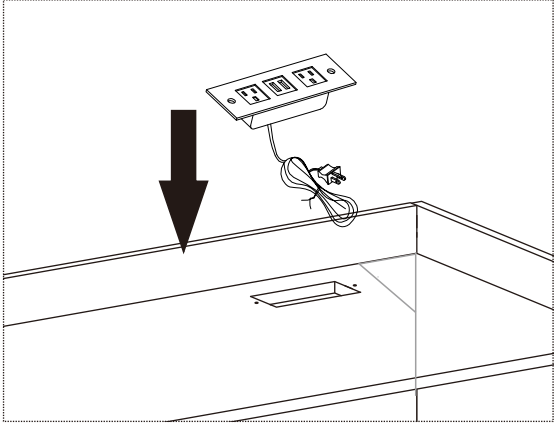




A		x13
B		x13
N		x8

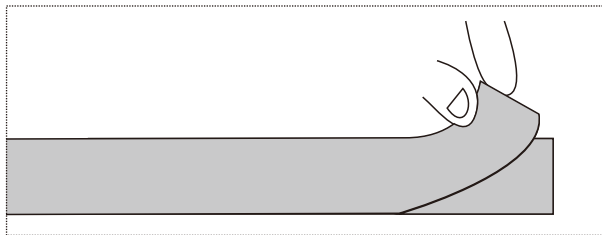


F		x14
I		x14

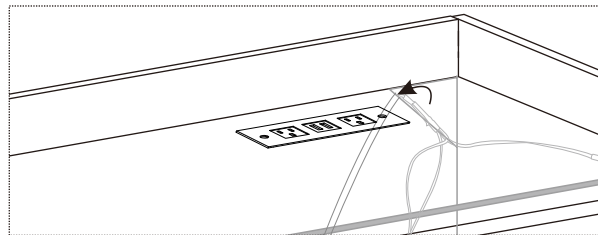




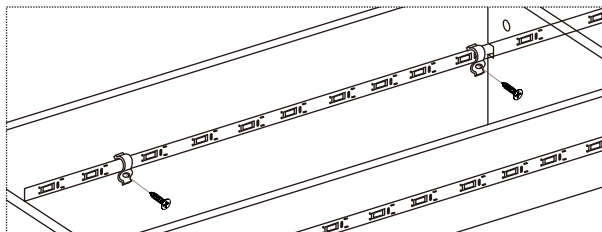
F		x2
J		x1



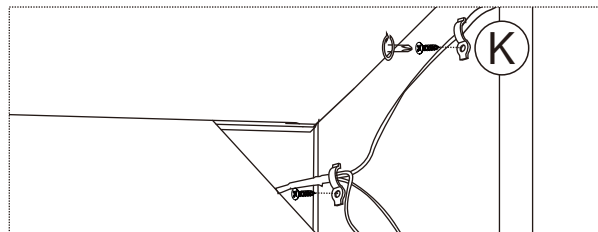
1: Remove the adhesive paper from the back.



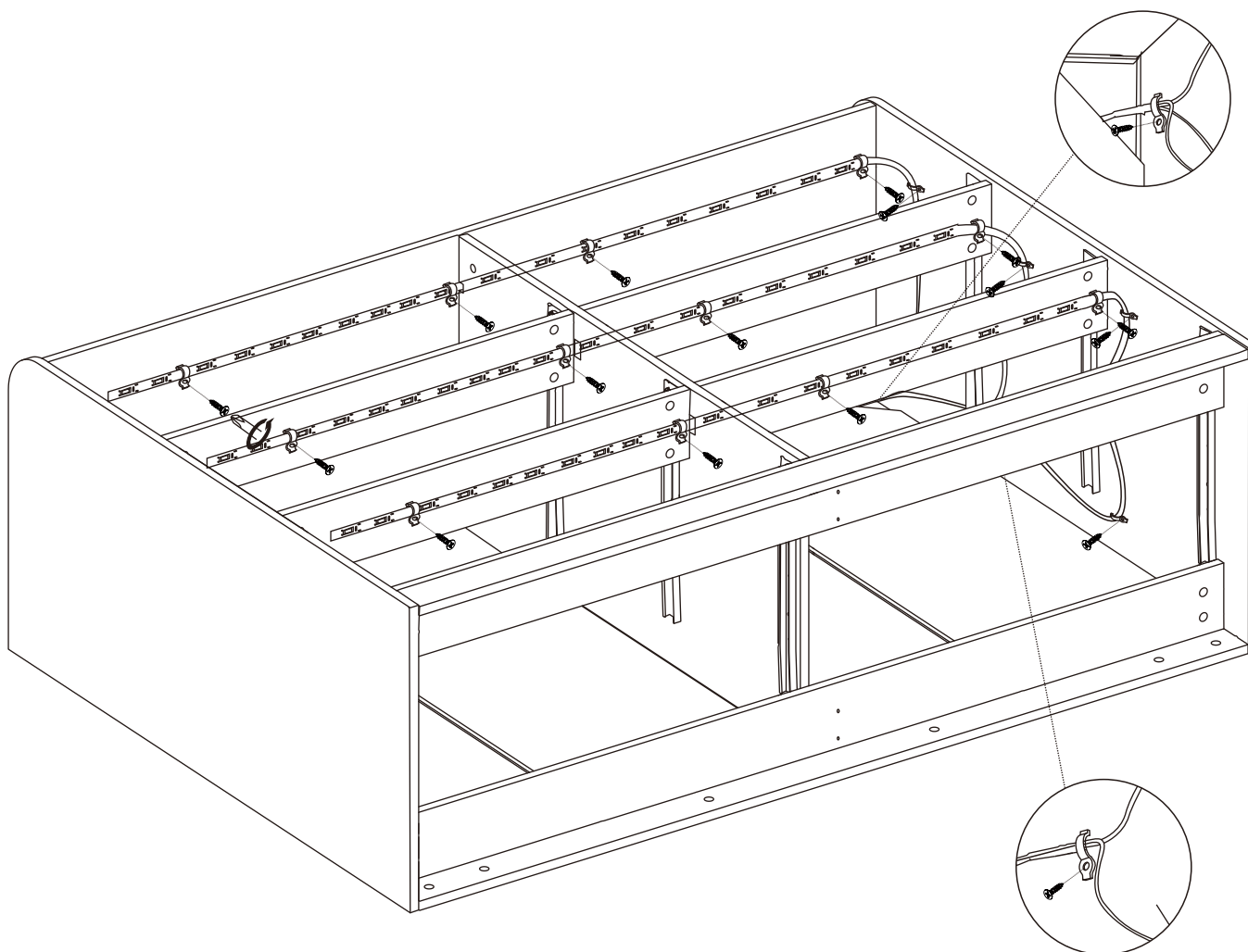
2: Thread the wire head out of the triangular hole.






3: Secure the light strip with buckles on each layer.

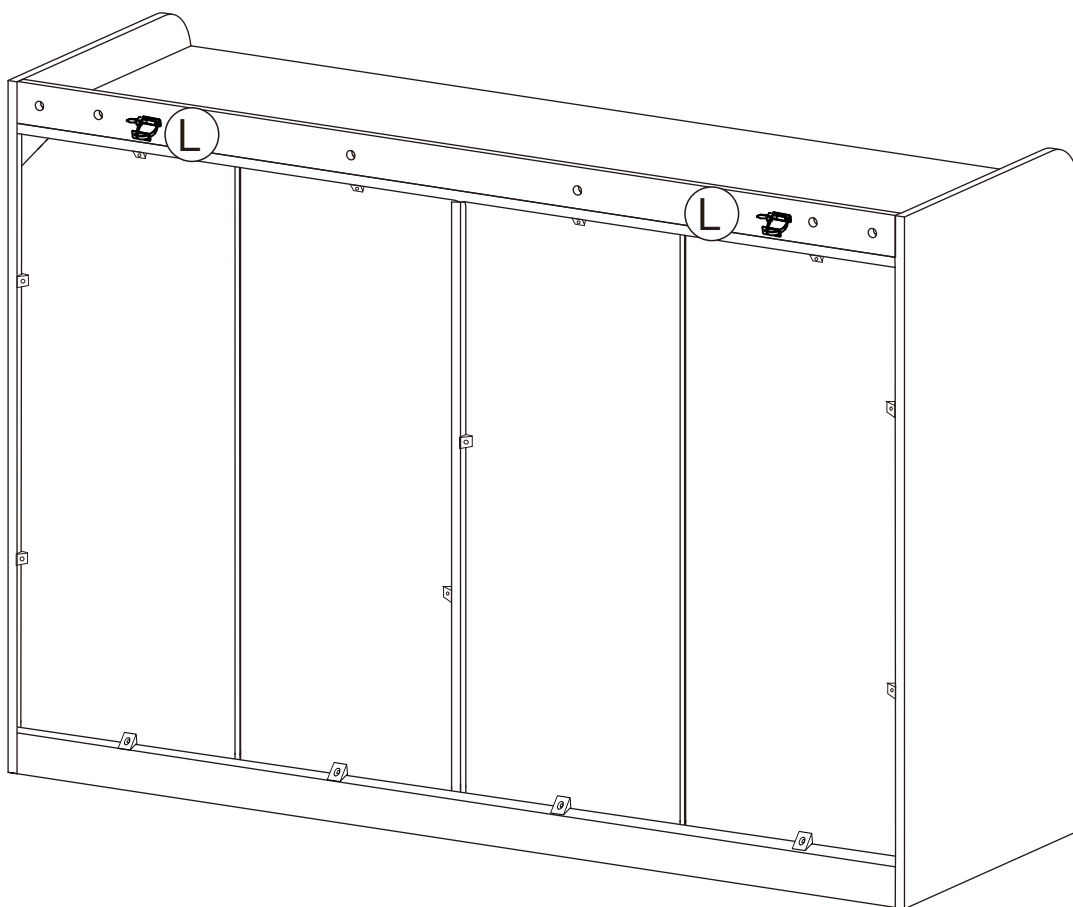
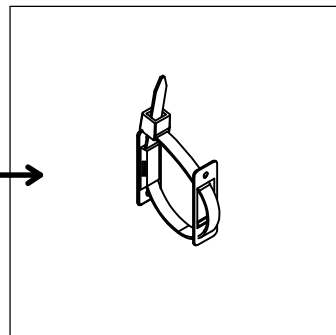
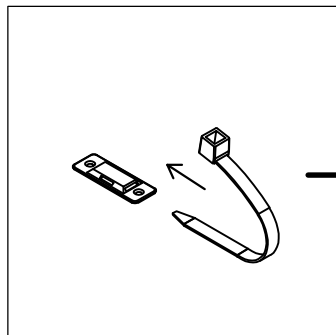
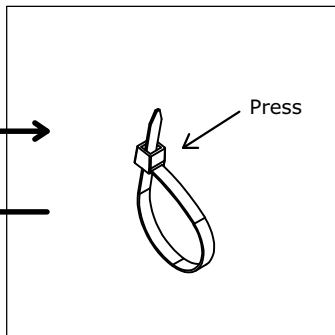
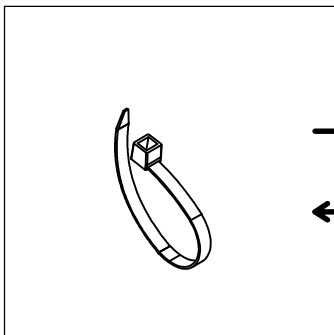
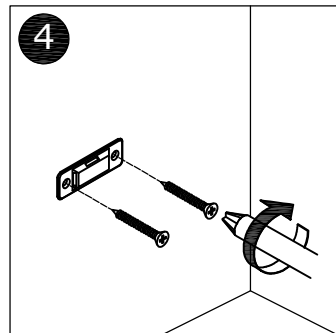
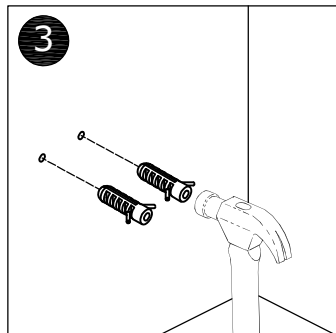
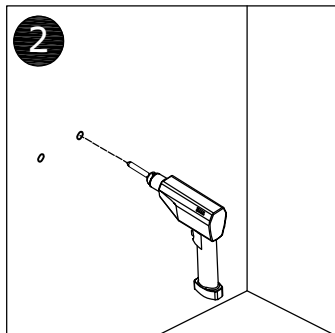
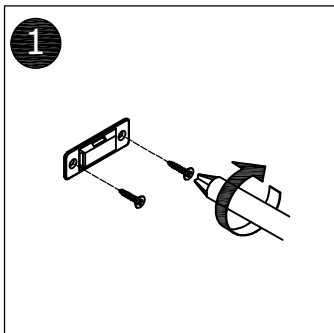


4: Fix it onto the fourth board with a buckle as shown in the diagram.



Note: The lengths of the three strip lines are different, with the longest strip line at the bottom and the shortest strip line at the top.

F		x18
K		x18
M		x1



L		x2
---	---	----

