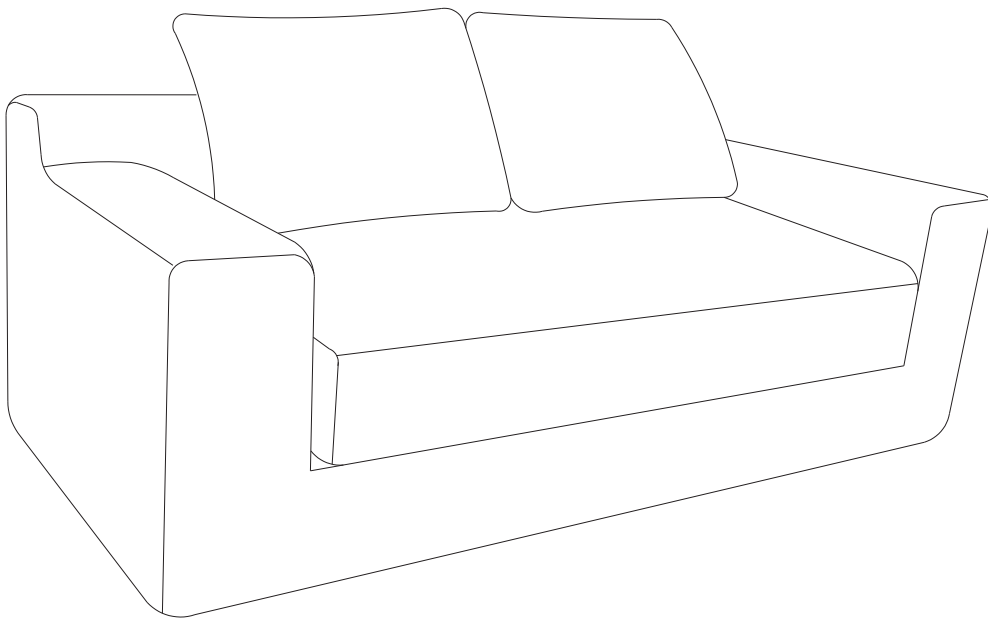
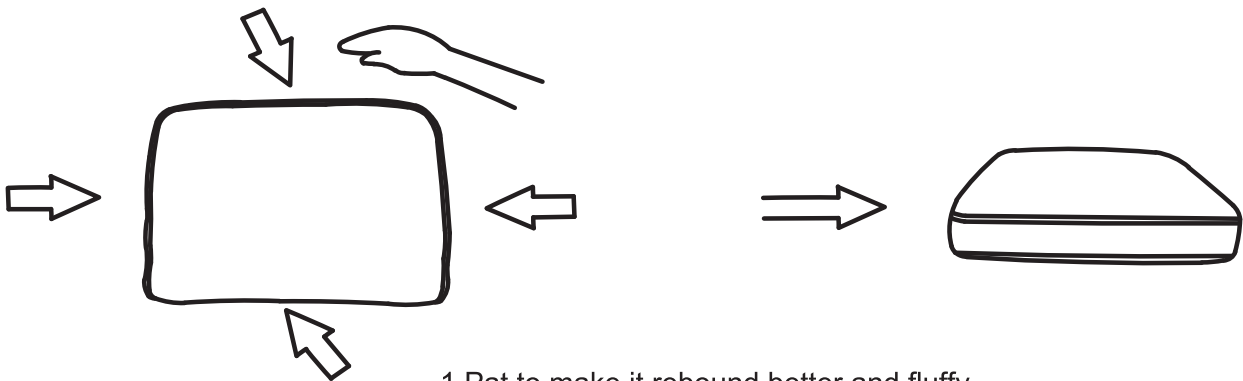


ASSEMBLY INSTRUCTIONS



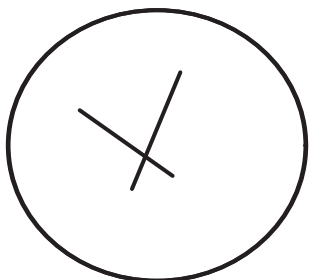
TIPS:

1. The sectional sofa comes in 2 separate boxes, might be delivered at different times. Please wait several days patiently.
2. Due to differences of light effects, the actual color of the materials might be slightly different from the pictures.
3. No Assembly Required. This sofa can free of your stereotyped nightmare of furniture assembly.
4. Due to package compression for better shipment, the fabric may have wrinkles.
5. Please take all packages out and pat every part to make it rebound better and fluffy, so that it can restore to picture-like status.
6. Please keep children away from the plastic bags.



1. Pat to make it rebound better and fluffy.

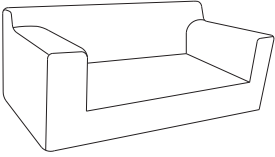
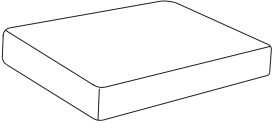
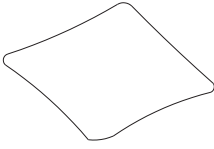
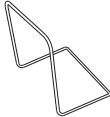
2. Knead your cushion like giving your cushion a massage while allowing the air to flow through the foam.



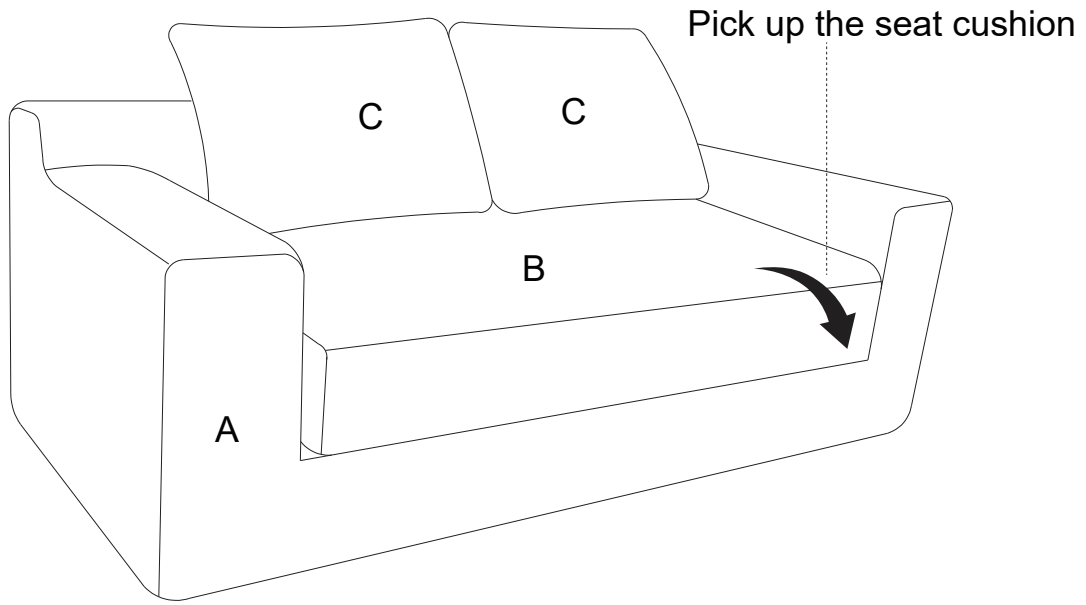
72h

It might takes up to 72 hours.

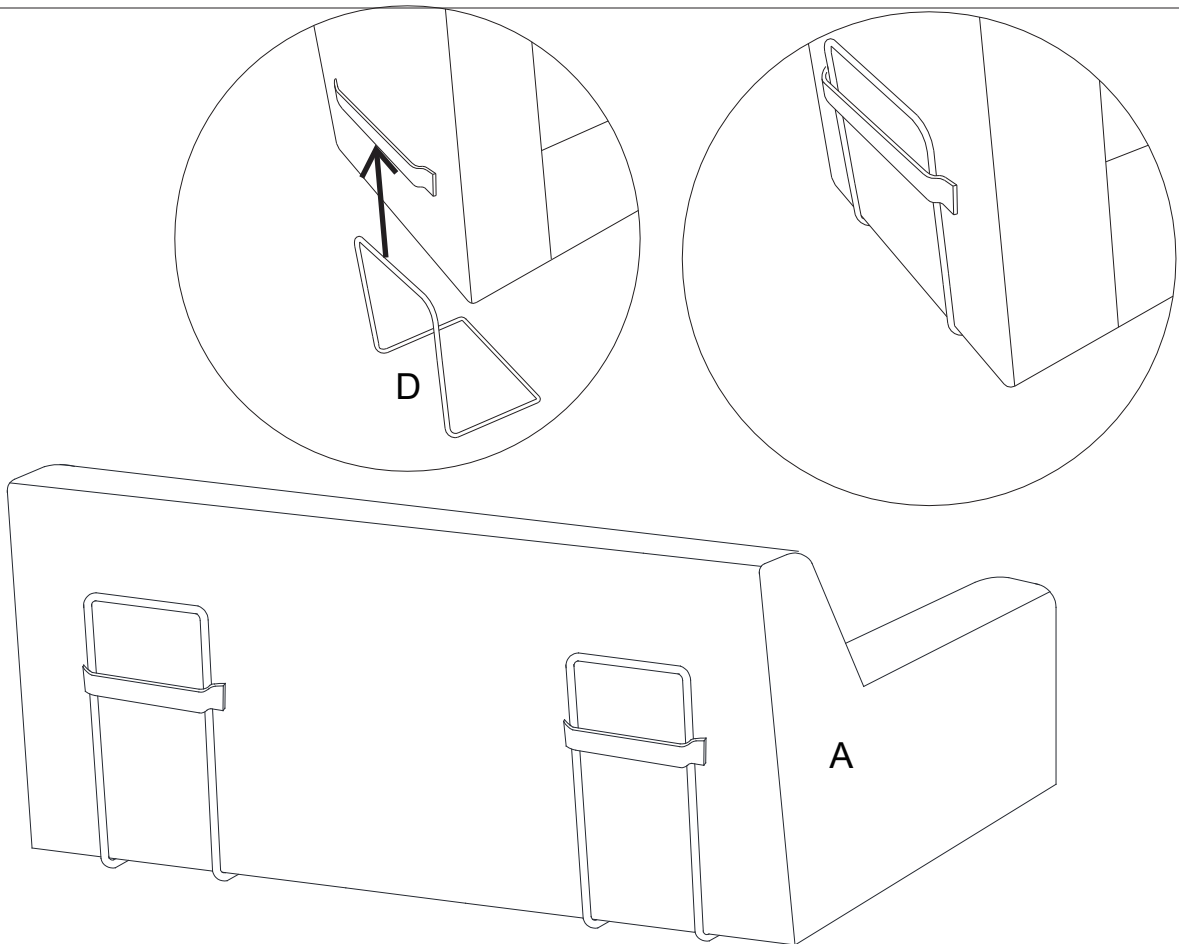
PART LIST:

NO	DESCRIPTION	SKETCH	QTY	W2959P278432 W2959P272125 W2959P278446 W2959P278453 A x 1 B x 1 C x 1 D x 2
A	CHAIR FRAME		1PC	
B	SEAT		1PC	
C	PILLOW		2PCS	
D	METAL FRAME		2PCS	

1

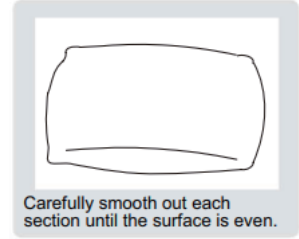
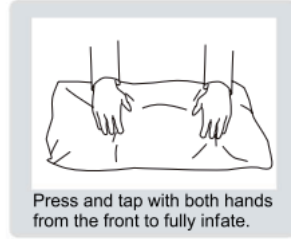
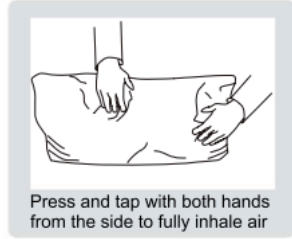
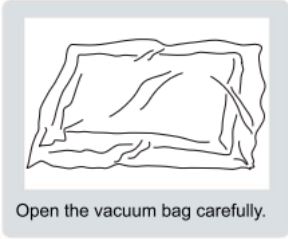


2



3

Open the vacuum bag and take the cushions(A/B), pillows(C) out.
To restore the original shape, follow the steps below.



After packing up, place them in somewhere dry and venslated. After about 72-96 hours. It can be restored to the best use condition.

