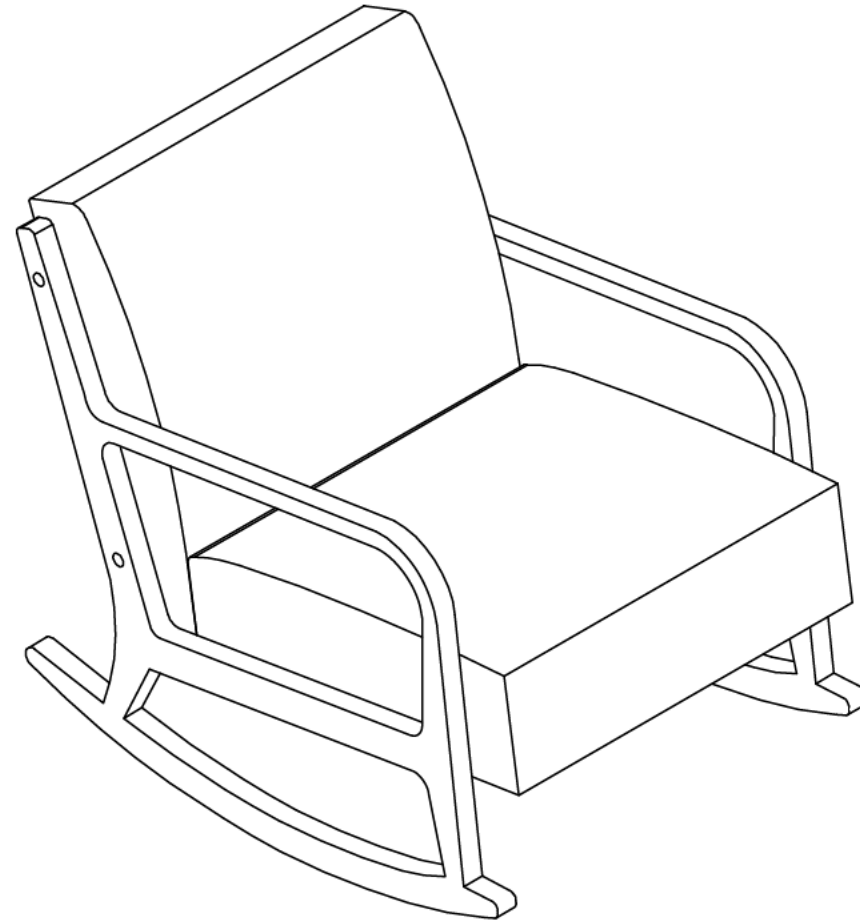


Rocking chair #4



> > assembly instructions



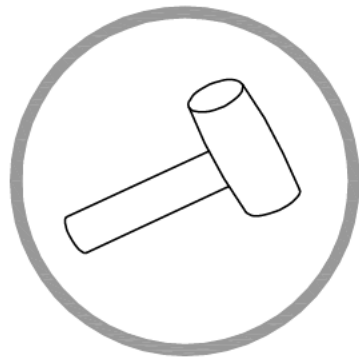
Congratulations on your latest Target purchase.

Now what? Don't start sweating over this box of parts. This will be easy. We did the hard work for you. All you need to do is follow our simple instructions and you'll be on your way to transforming your room in no time. Good luck — though we're confident you won't need it.

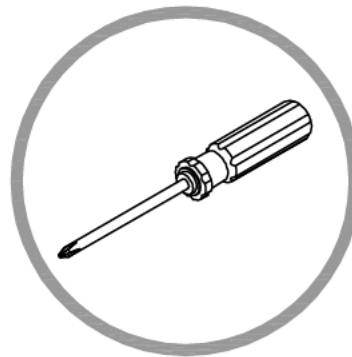
before you begin

1. Check for damaged or missing parts. Call 1-855-MY TGT HOME (1-855-698-4846) to order missing supplies.
2. Use the carton as a working surface to prevent product damage during assembly.
3. Gather all tools prior to assembly.

Tools needed (Not included)



Hammer



Screw driver

Table of contents

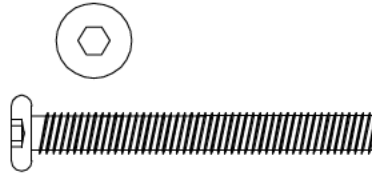
introduction	2
hardware	4
parts list	5
assembly	6 - 10

Hardware

(H1) x 2
1/4" long bolt



(H2) x 8
1/4" short bolt



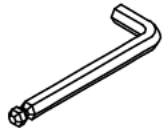
(H3) x 10
1/4" lock washer



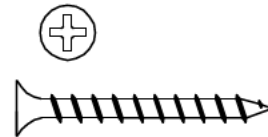
(H4) x 4
1/4" small flat washer



(H5) x 1
1/4" hex wrench



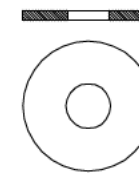
(H6) x 2
#8 flat-head screw



(H7) x 4
wood plug



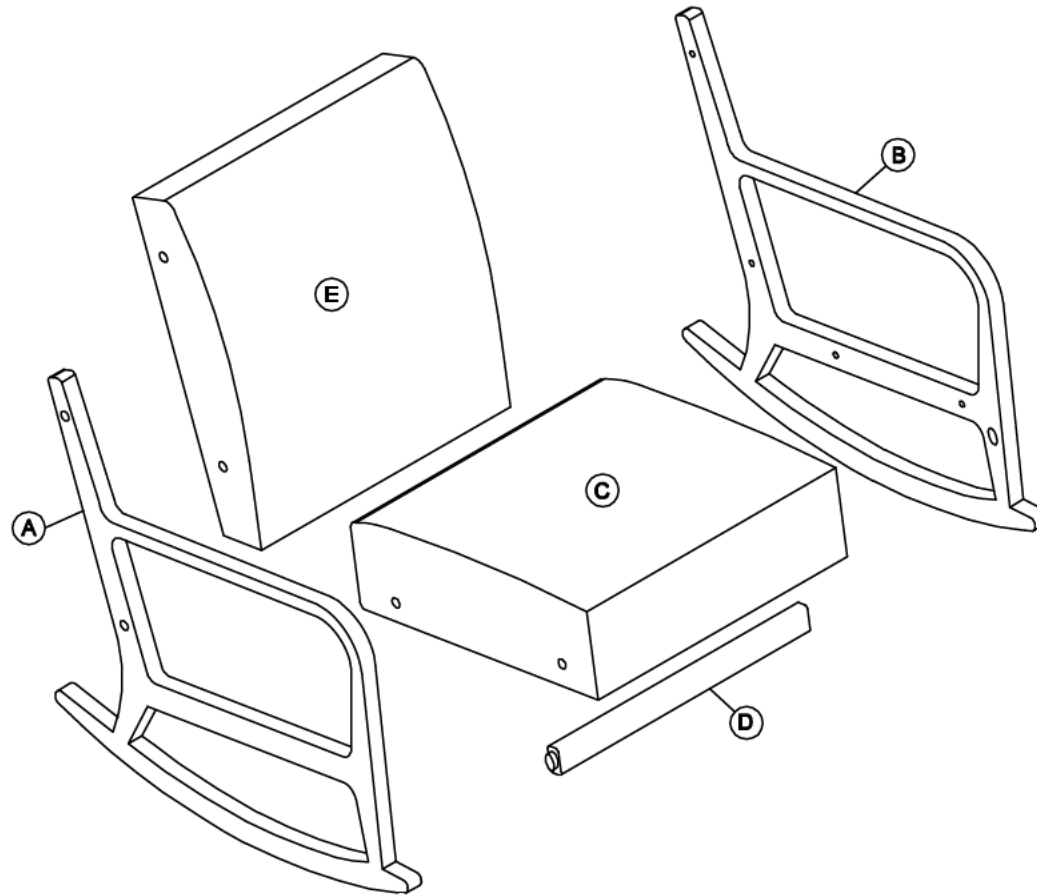
(H8) x 6
1/4" big flat washer



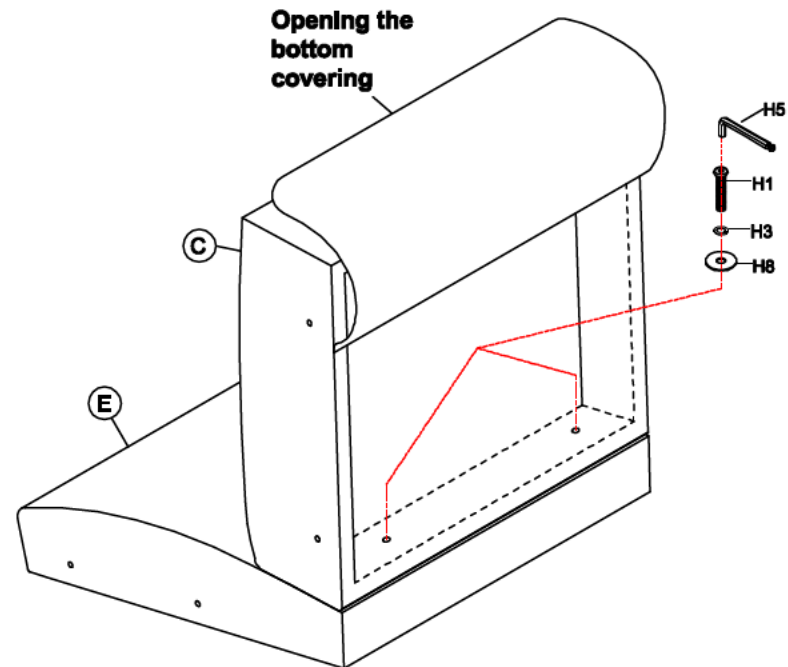
ITEM DESCRIPTION QUANTITY

.....

A	left arm (facing front)	1
B	right arm (facing front)	1
C	seat cushion	1
D	stretcher	1
E	back cushion	1



Step 1.



(H1) x 2
1/4" long bolt



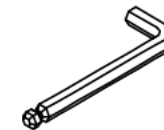
(H3) x 2
1/4" lock washer



(H8) x 2
1/4" big flat washer

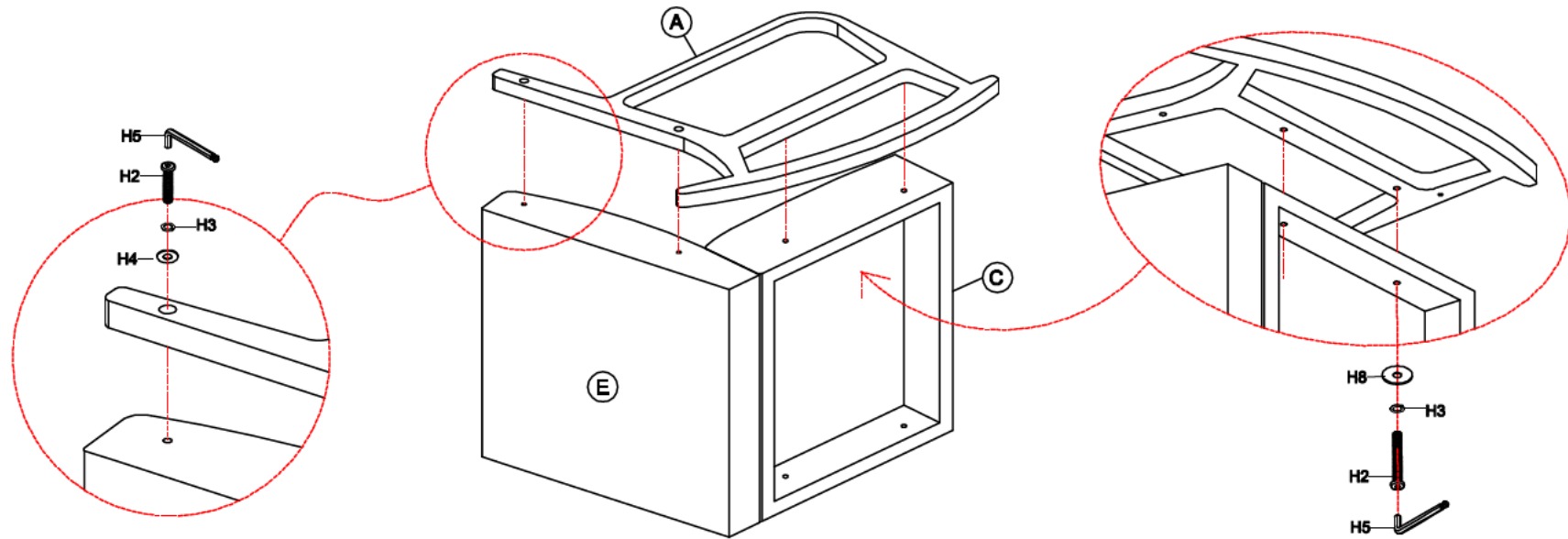


(H5) x 1
1/4" hex wrench

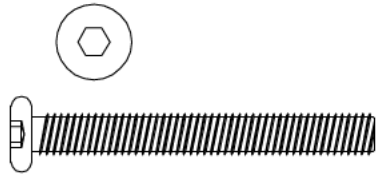


Assemble the chair on soft, scratch-free surface such as a carpet or a rug.
Open the bottom covering, then attach the seat cushion (C) to the back cushion (E). Loosely tighten all bolts.

Step 2.



(H2) x 4
1/4" short bolt



(H3) x 4
1/4" lock washer



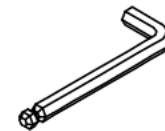
(H4) x 2
1/4" small flat washer



(H8) x 2
1/4" big flat washer

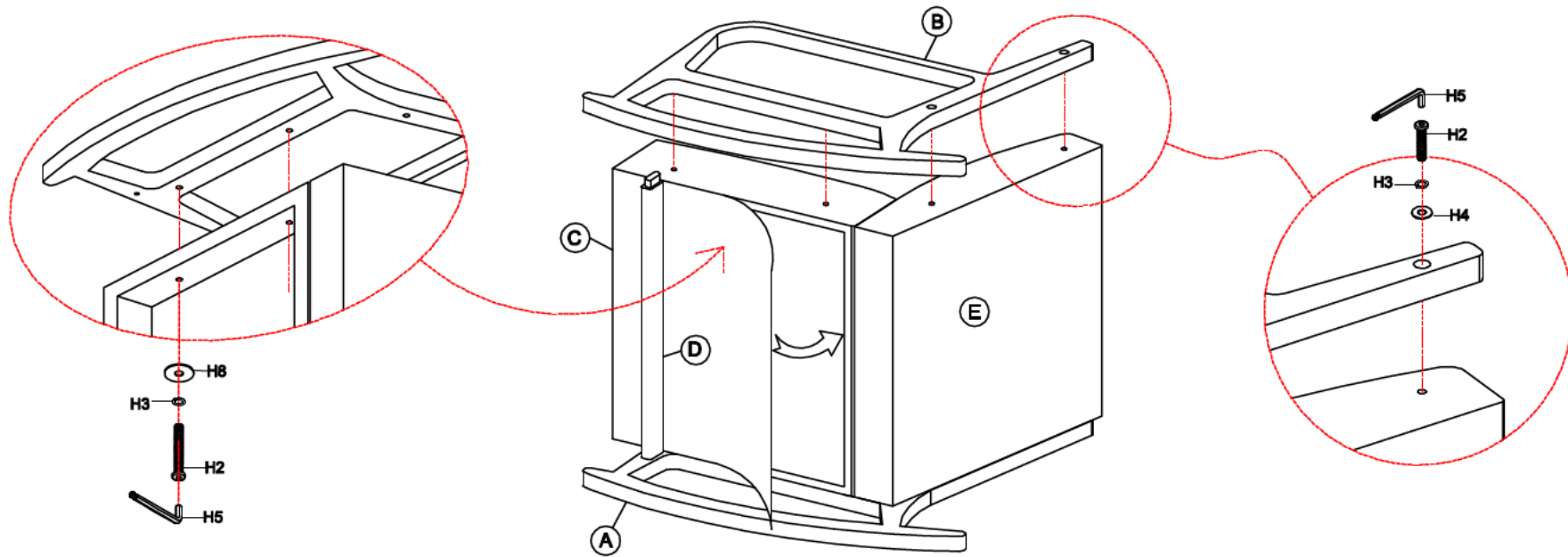


(H5) x 1
1/4" hex wrench

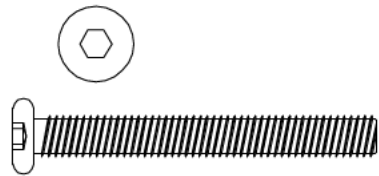


Loosely attach the left arm (A) to seat cushion (C) and back cushion (E).

Step 3.



(H2) x 4
1/4" short bolt



(H3) x 4
1/4" lock washer



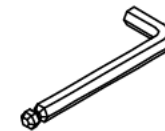
(H4) x 2
1/4" small flat washer



(H8) x 2
1/4" big flat washer

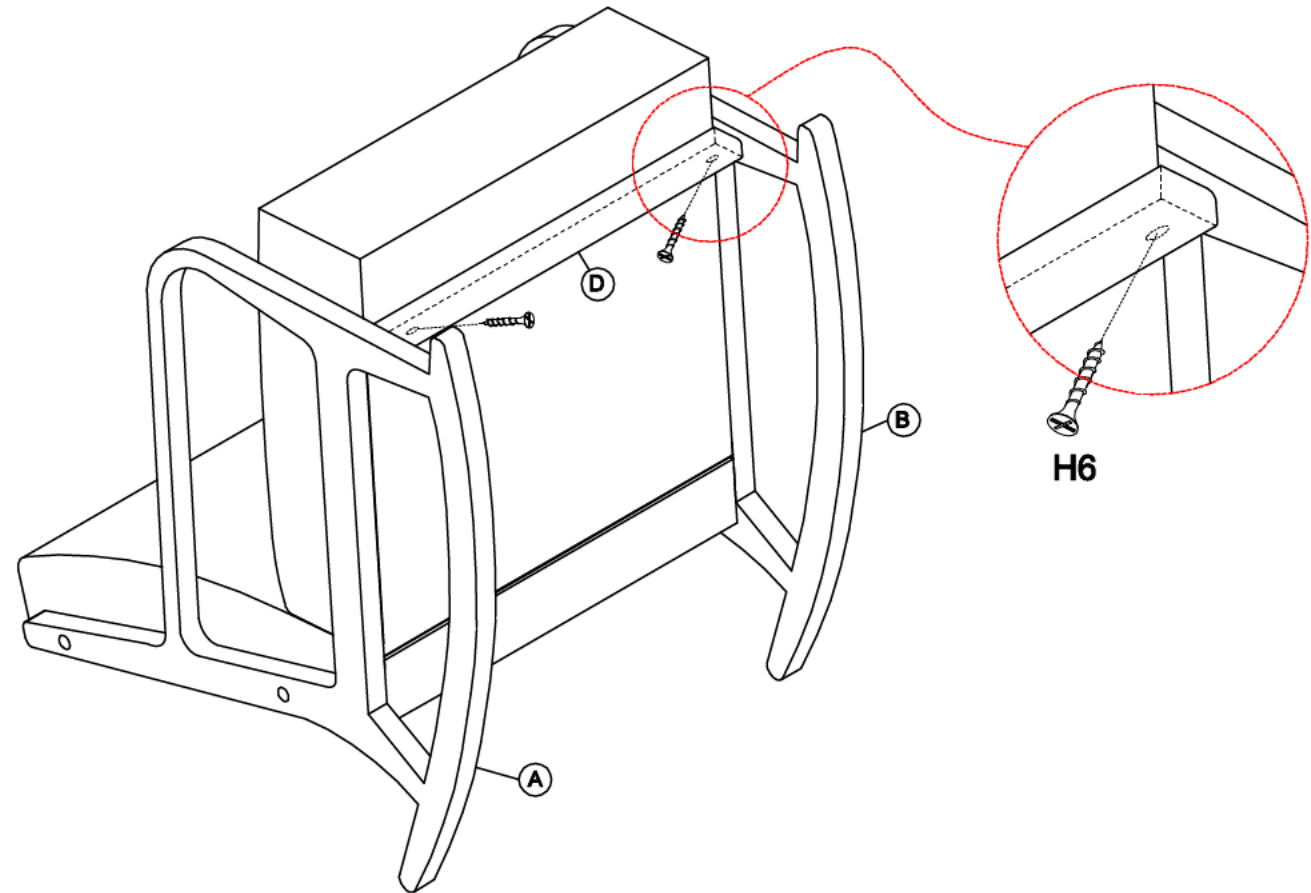


(H5) x 1
1/4" hex wrench

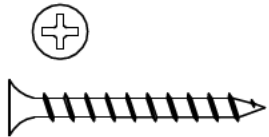


Insert the located dowel on the end of stretcher (D) to the left arm (A).
Attach the right arm (B) to seat cushion (C), back cushion (E) and stretcher (D).

Step 4.

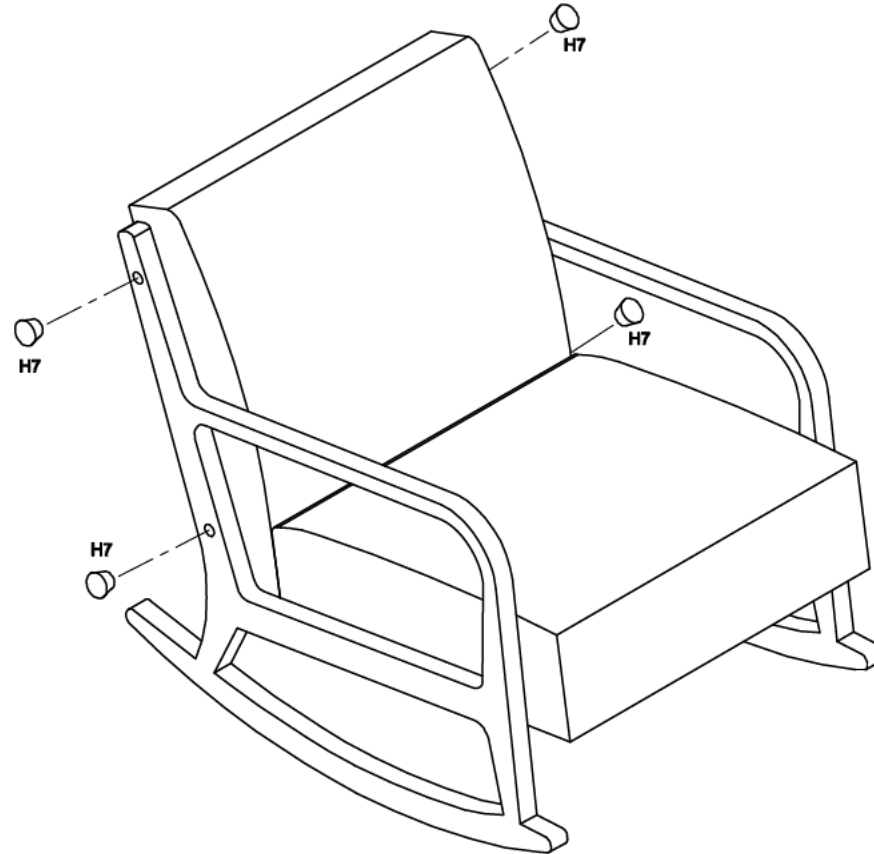


(H6) x 2
#8 flat-head screw



Securely tighten all bolts with hex wrench (H5) .
Tighten screws (H6) through the stretchers (D) to the front legs.

Step 5.



(H7) x 4
wood plug



Turn the assembled chair to a upright position. Insert wood plugs into the bolt holes, tap with rubber hammer or mallet until the wood plug edge are even with wood surface. Assembly is complete.

Additional note about safety: Bolts may loosen during normal everyday use. They should be periodically inspected and re-tightened to prevent damage or injury. Always check to be sure that all hardware is kept tightened.