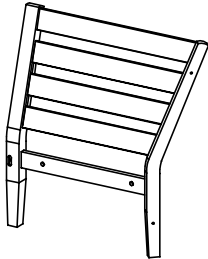
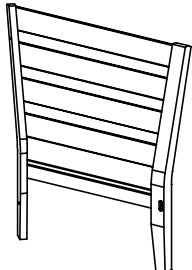
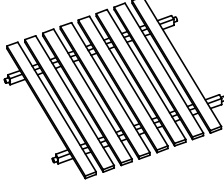
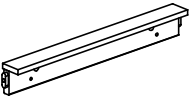
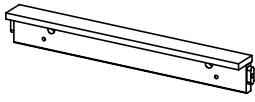



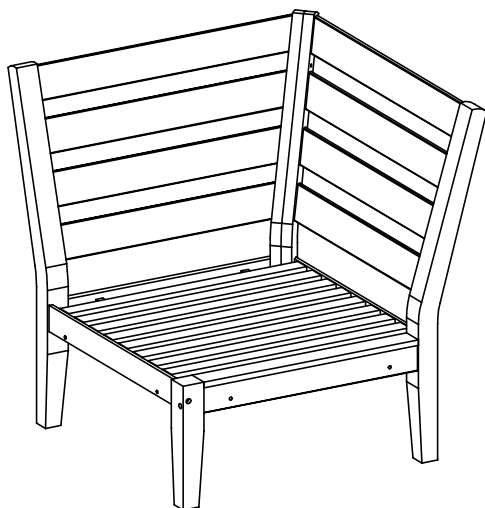


ASSEMBLY INSTRUCTIONS

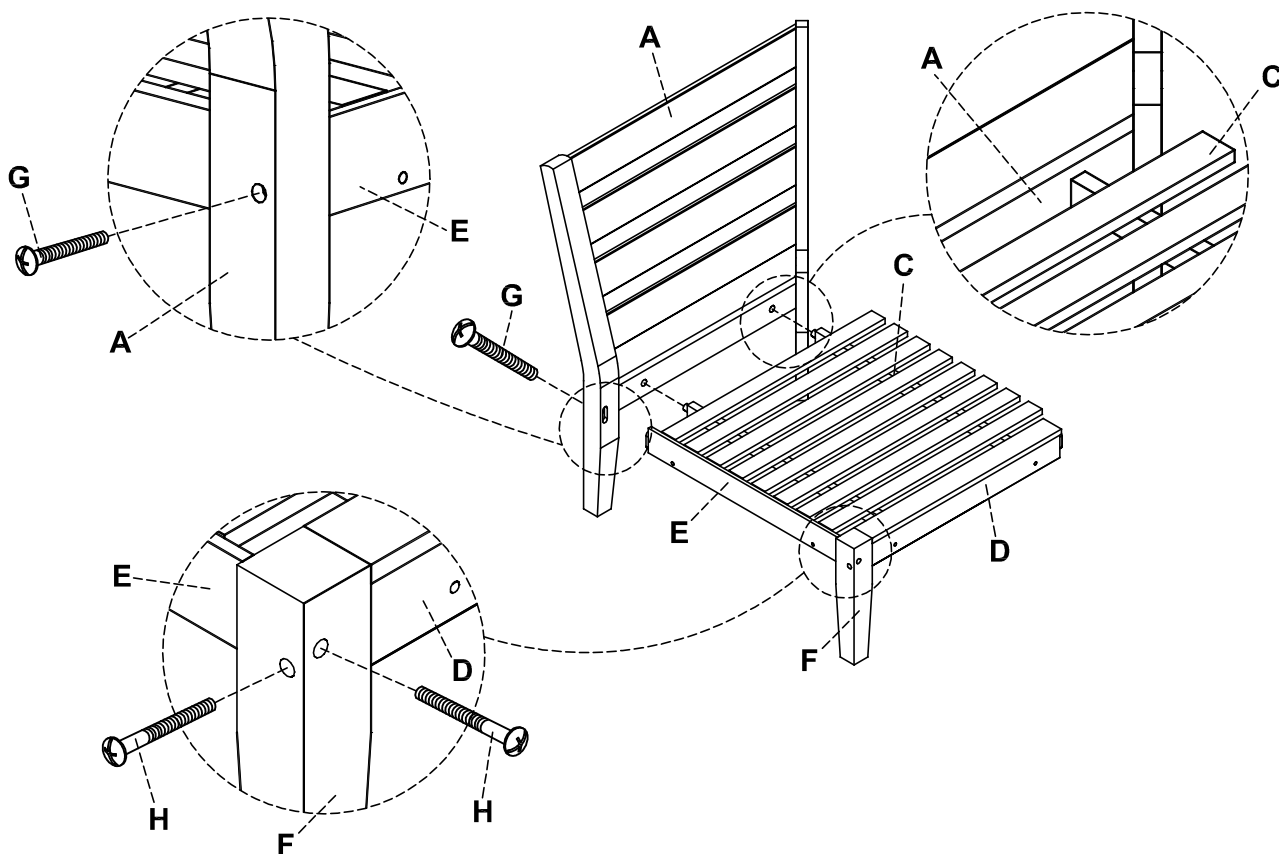
WOODEN CORNER CHAIR

A Right side frame  1pc	B Left side frame  1pc	C Seat  1pc	D Left apron  1pc
E Right apron  1pc	F Leg  1pc	G 2" Bolt  4pcs + 1pc reserve	H 2 1/4" Bolt  4pcs + 1pc reserve

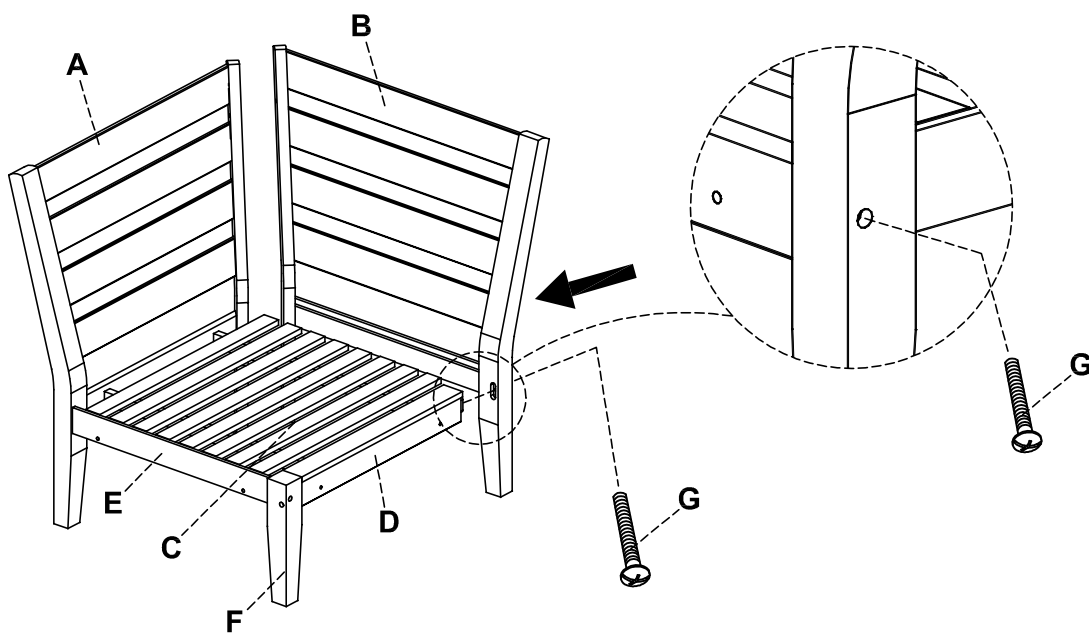


This page lists all the contents included in the box. Please take time to identify the hardware as well as the individual components to this product. As you unpack and prepare for assembly, place the contents on a carpeted or padded area to protect them from damage.

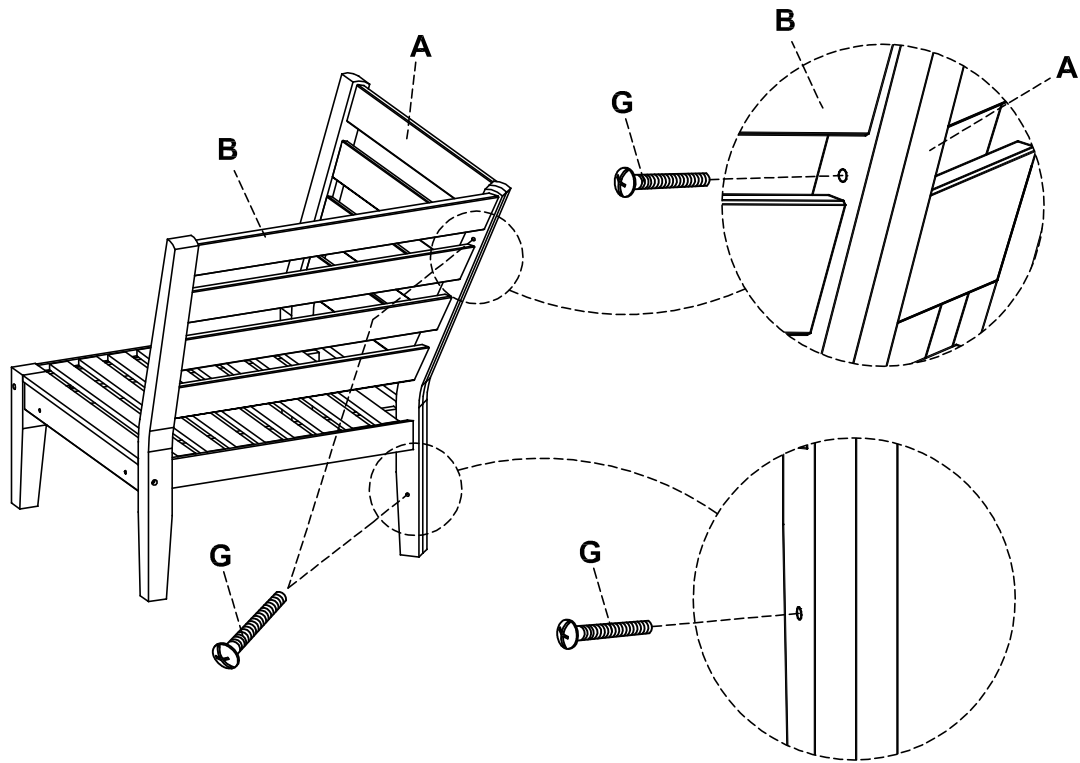
1 Attach the right apron(E) and left apron(D) to the leg(F). Secure using 2 1/4" bolts(H) ,with screwdriver (not provided). Put the seat(C) to left apron(D), and then attach right side frame(A) into the assembly to the matching holes, secure using 2" bolt(G) to left side frame(B), with screwdriver (not provided), position as shown. Don't fully tighten at this step.



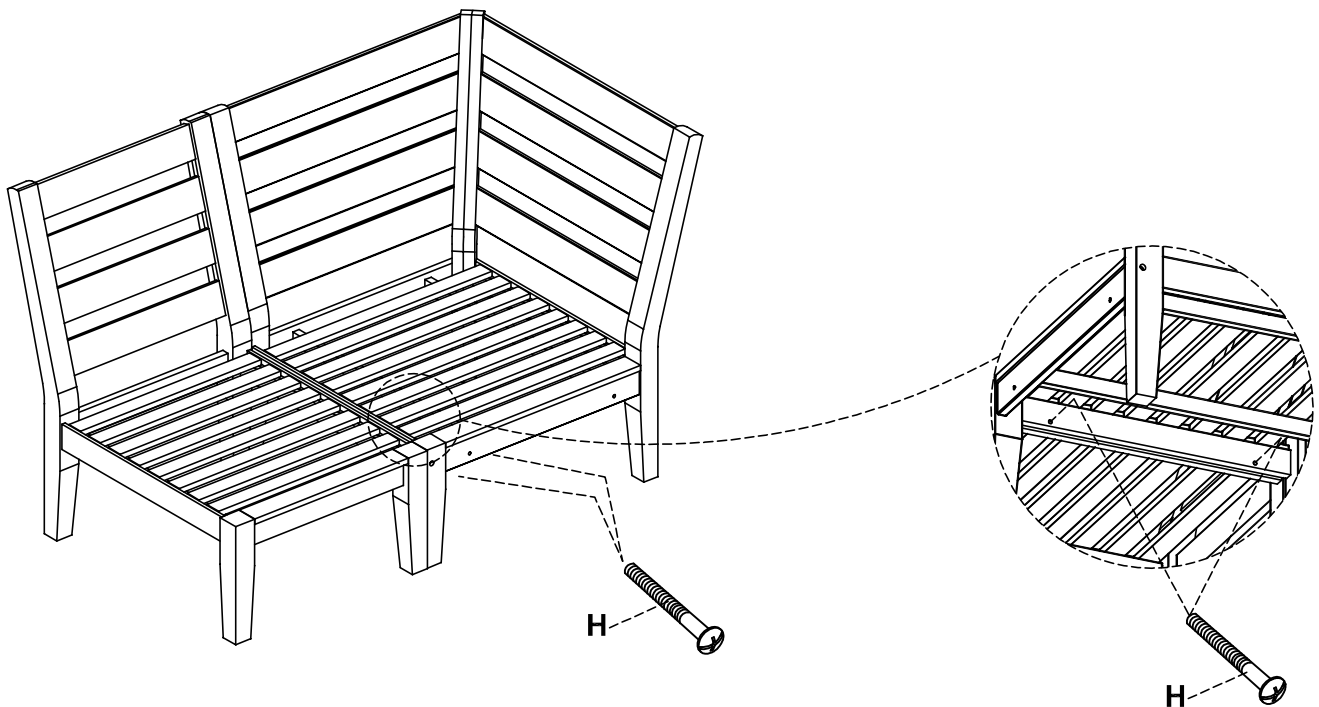
2 Attach the left side frame(B) into the pre assembly from step 1 to the matching hole, secure using 2" bolt(G) with screwdriver (not provide), position as shown. Don't fully tighten at this step.



3 Insert bolts(G) with screwdriver (not provided). Note : To connect the right and left side frame(A&B). Tighten all bolts using screwdriver (not provided).



4 To joining with the other chair, secure using 2 1/4" bolts(H) with screwdriver (not provided) from underneath of seat.



Cleaning & Care

Treat surface with care. Surface is resistant to scratches but is not scratch resistant. Clean surfaces with a dry or damp soft cloth. Do not use abrasive cleaners. Hardware may loosen over time. Periodically check that all connections are tight.