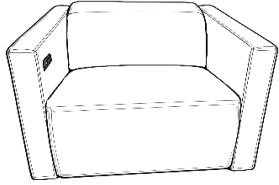

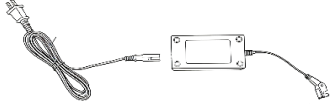
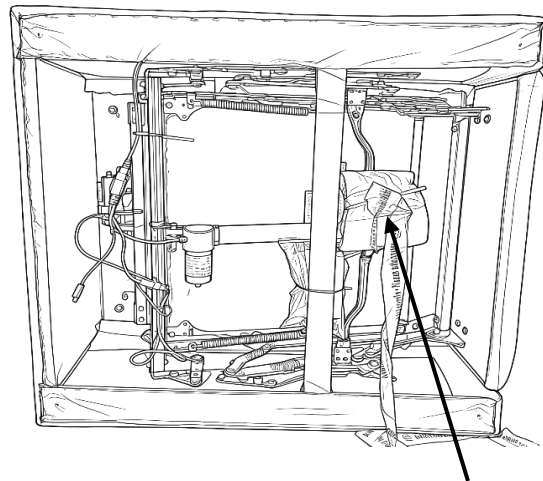
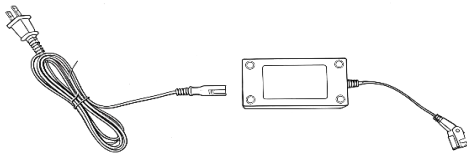


# ASSEMBLY INSTRUCTIONS

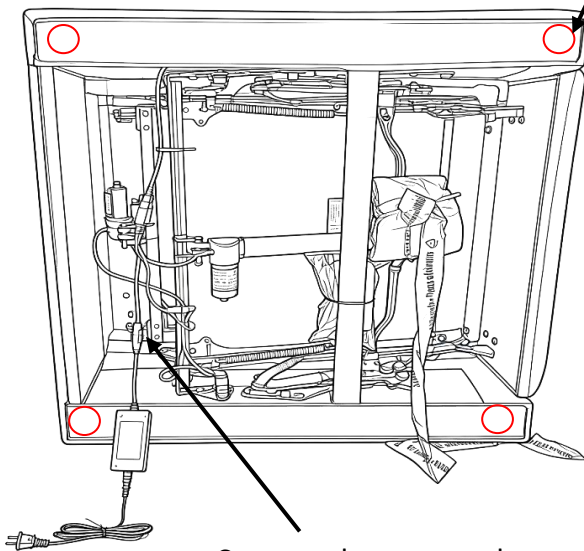
A		x1	C		x4
B		x1	D		



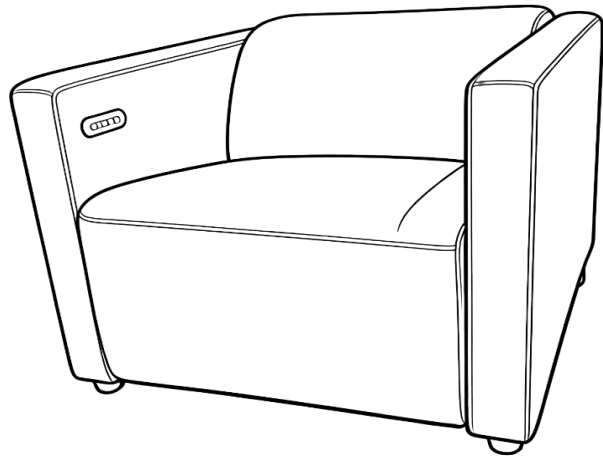
The plastic feet and power adapter are here



Just screw on the plastic feet directly

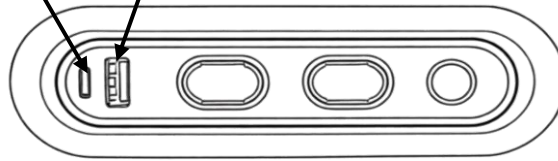


Connect the power adapter

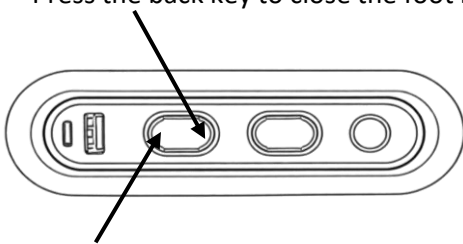


# ASSEMBLY INSTRUCTIONS

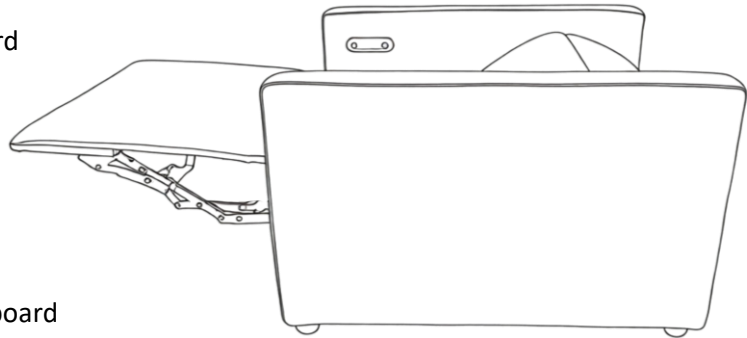
Type-C      USB



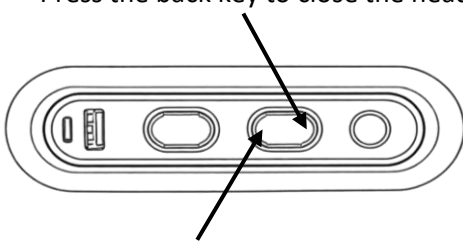
Press the back key to close the foot board



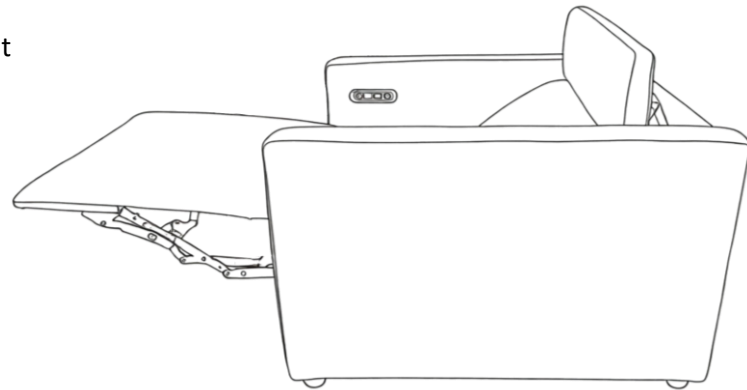
Press the front key to open the foot board



Press the back key to close the headrest



Press the front key to open the headrest



Press this key to restore the opened footrest and headrest with one click

