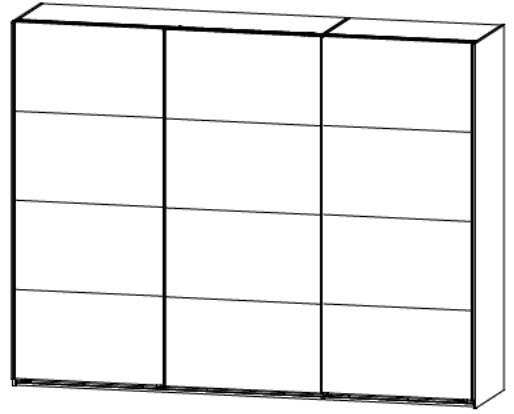
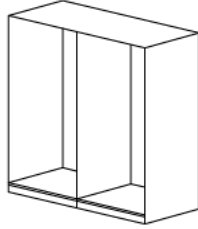


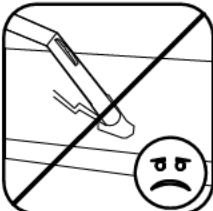
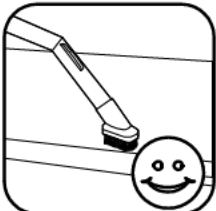
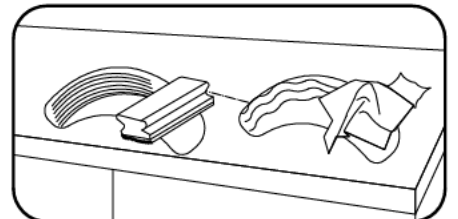
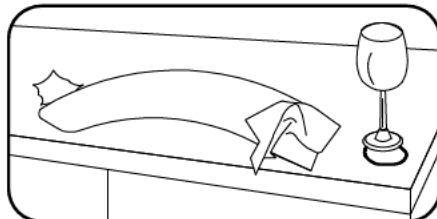
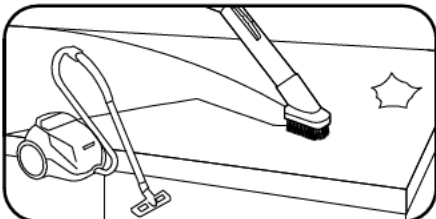
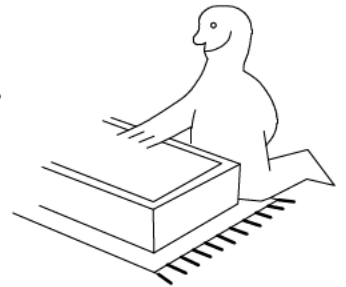
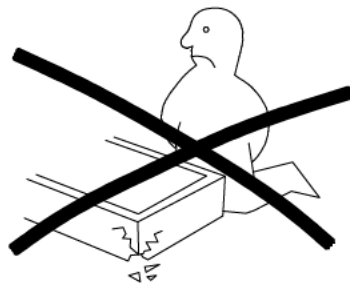
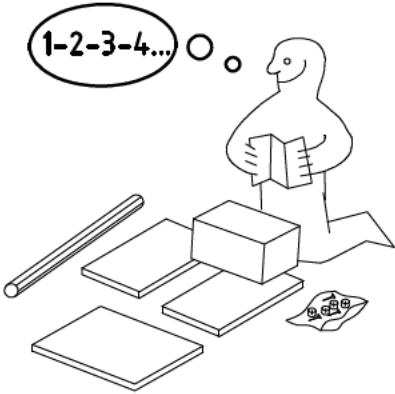
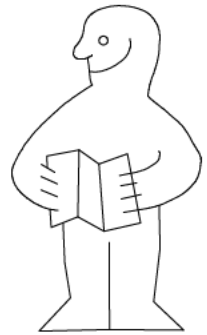
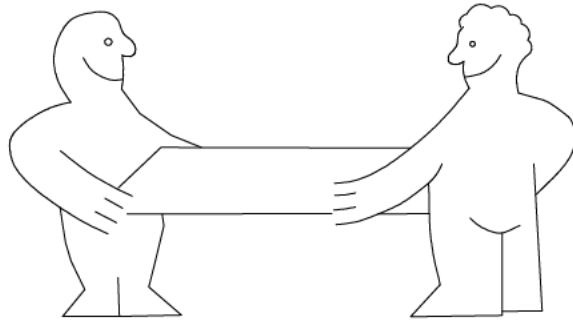
1.

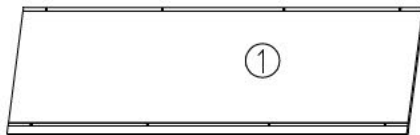
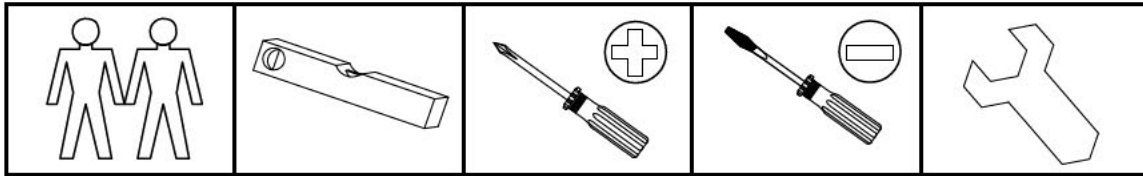
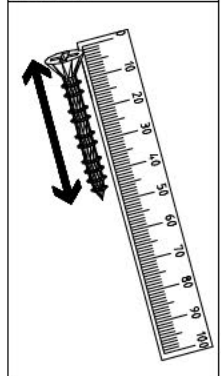
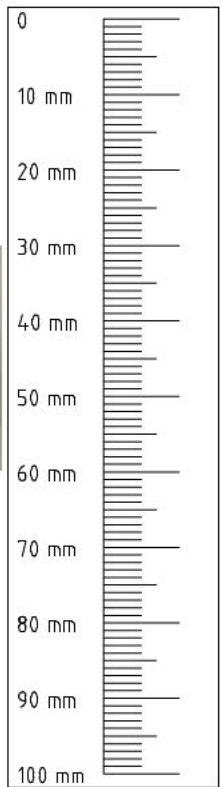
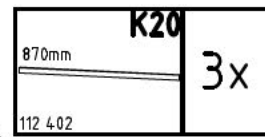
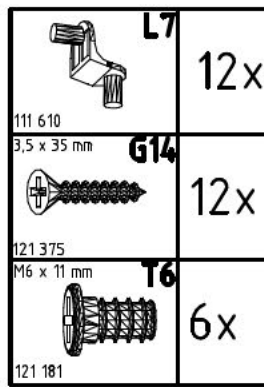
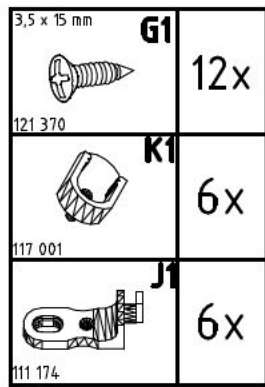
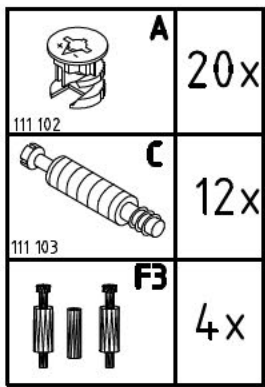


2.



H 270 4tlg-3trg





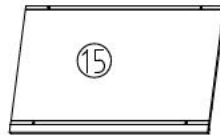
1761x560x15



1761x32x15



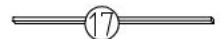
1761x32x15



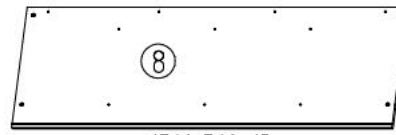
873x560x15



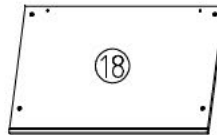
873x32x15



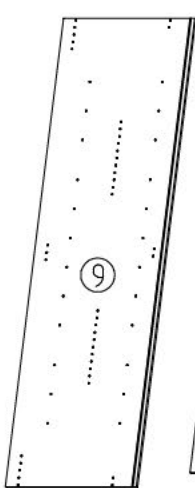
873x32x15



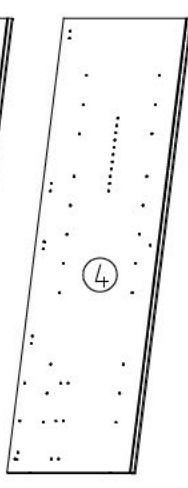
1761x560x15



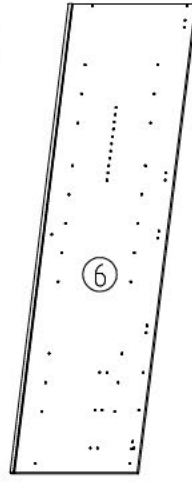
873x560x15



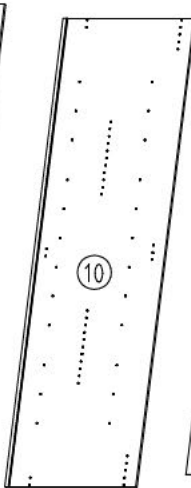
2064x577x15



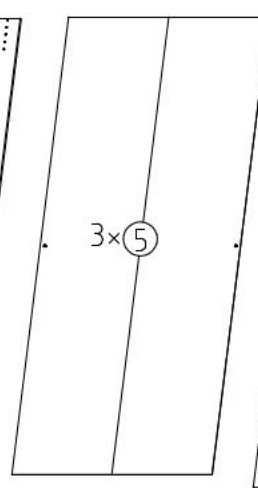
2001x560x15



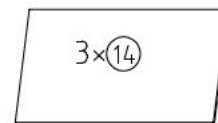
2064x560x15



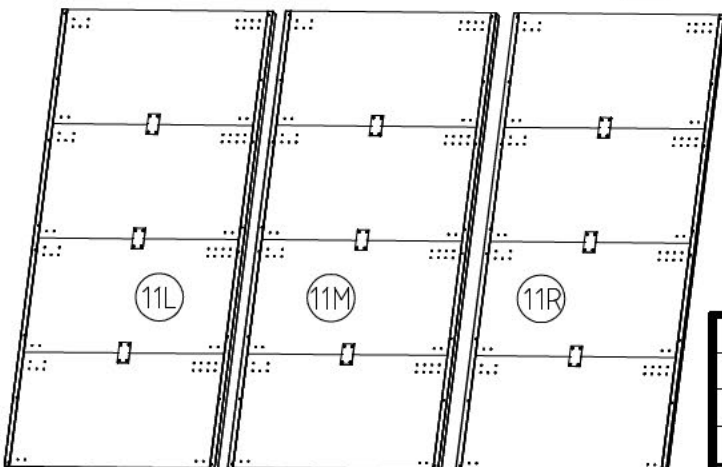
2064x577x15



2015x882x2,5



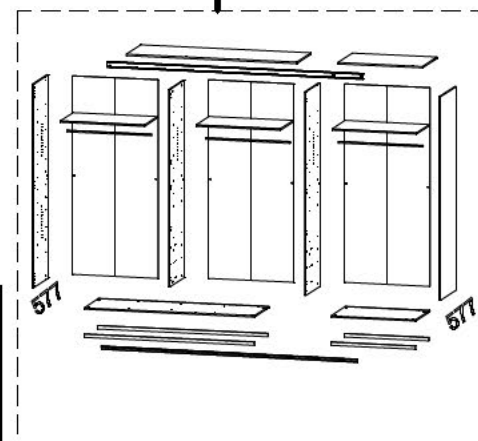
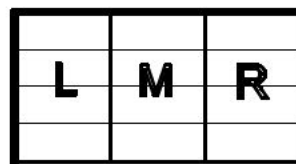
873x500x18



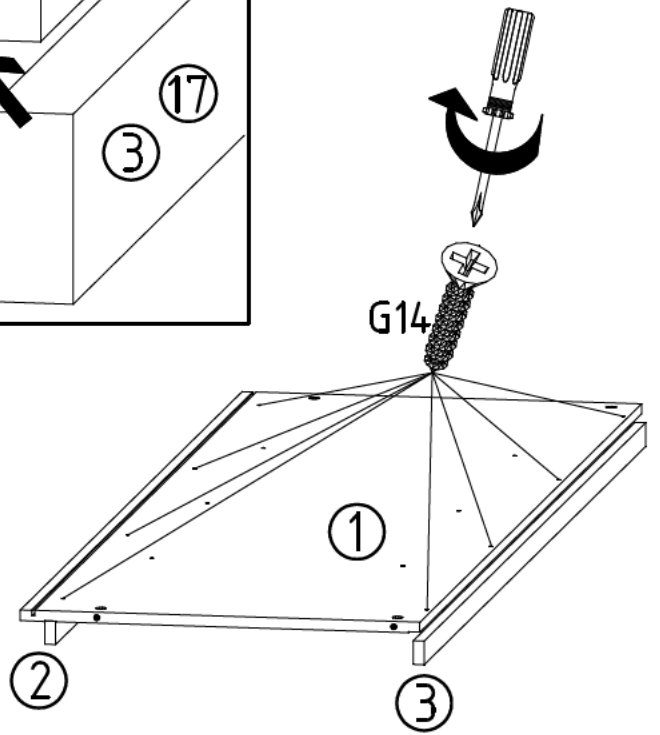
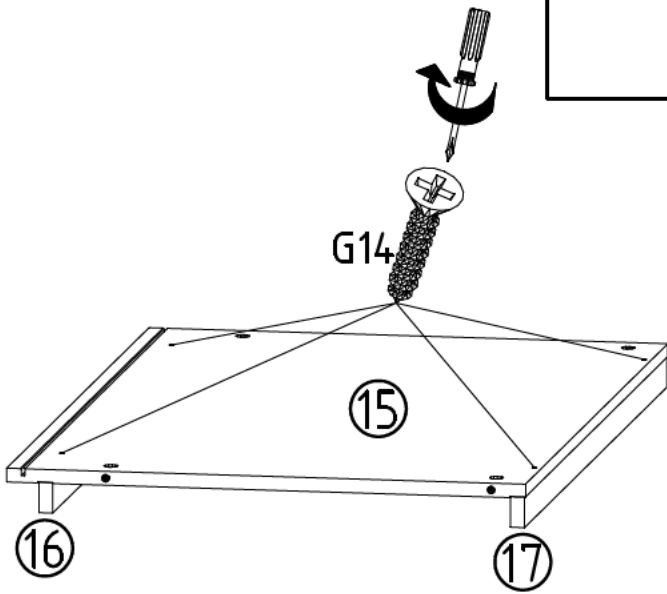
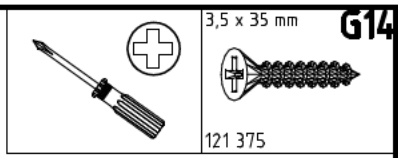
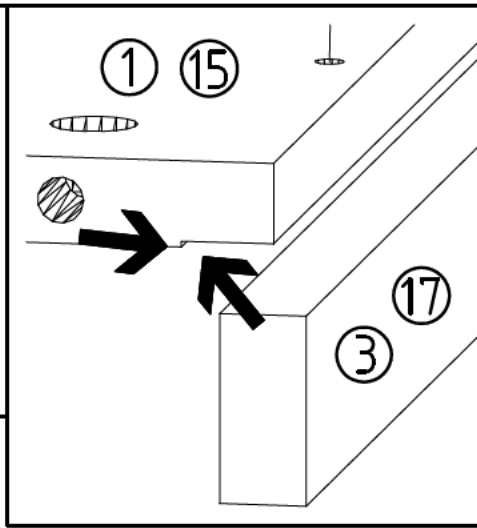
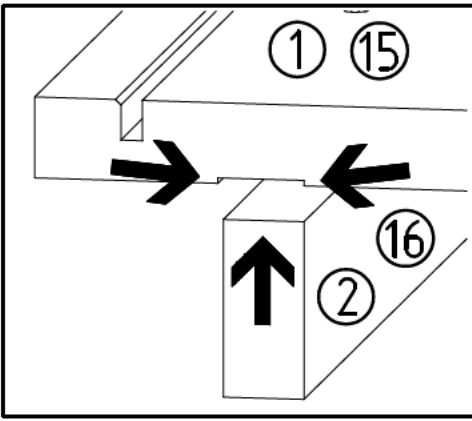
2018x916x15

2018x916x15

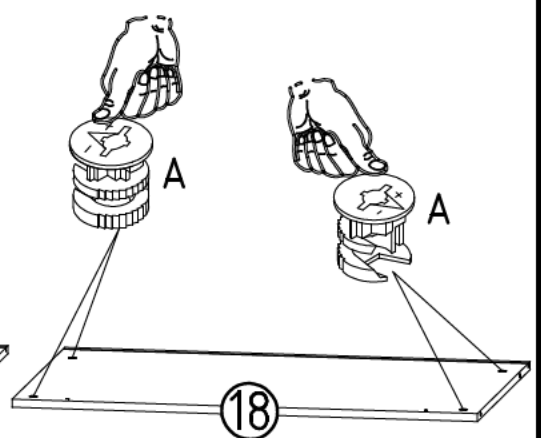
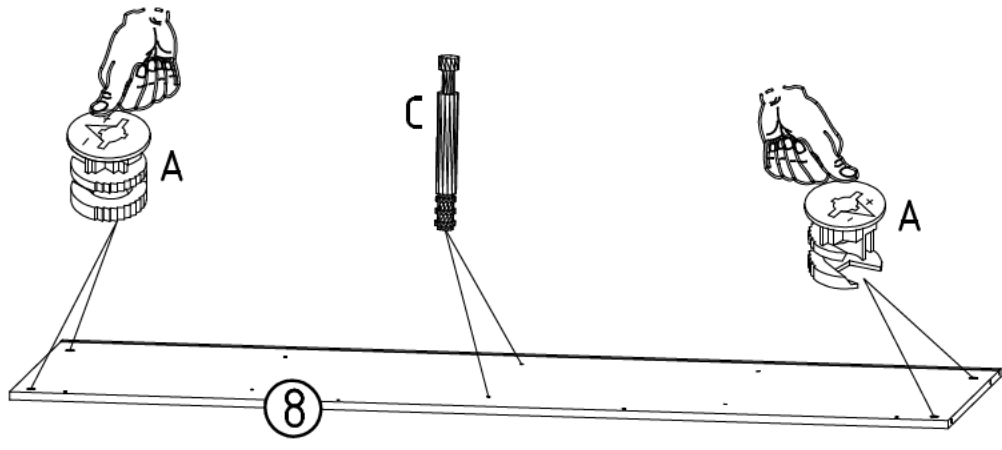
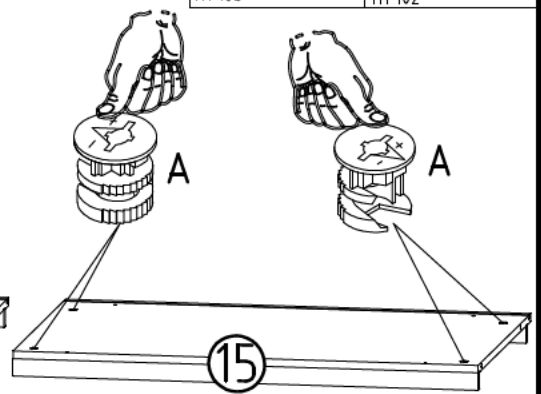
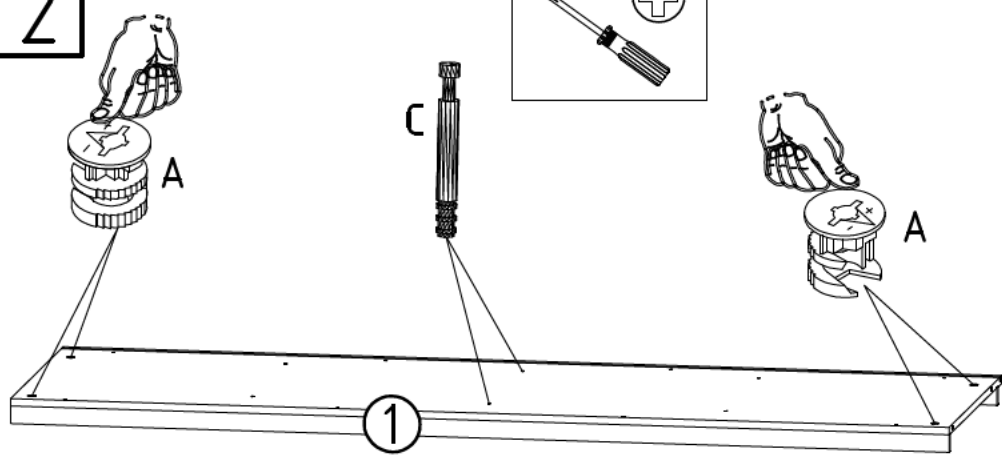
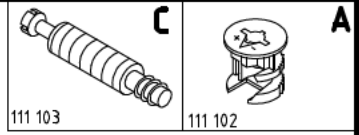
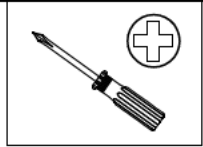
2018x916x15



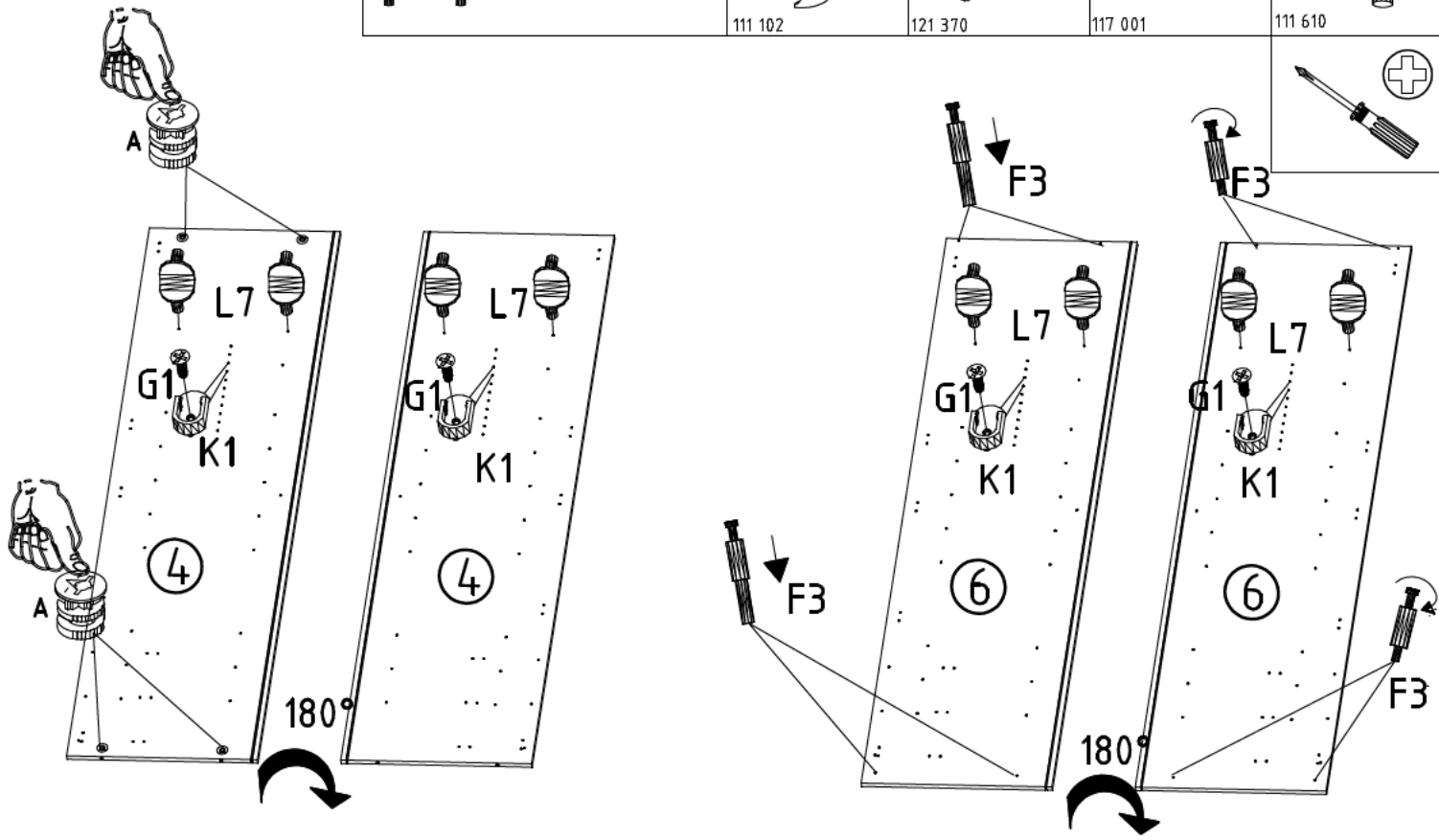
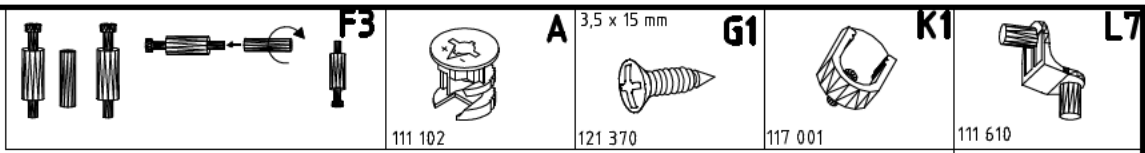
1



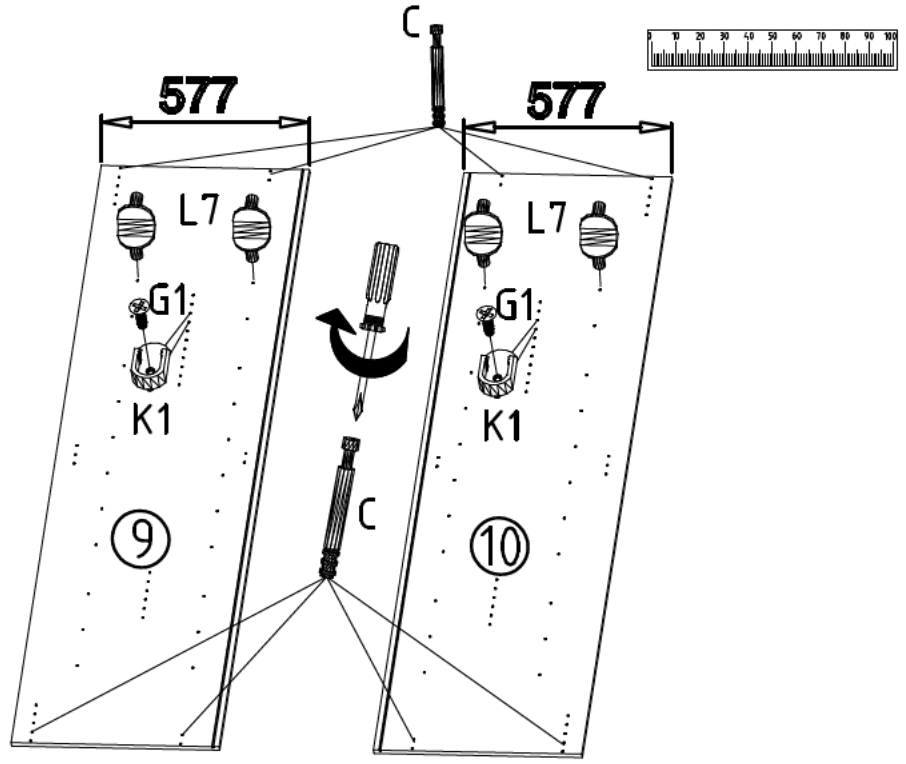
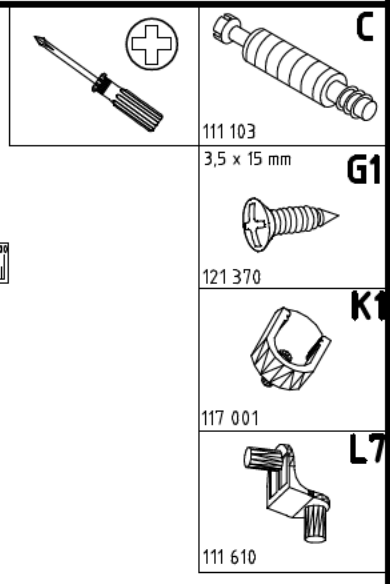
2



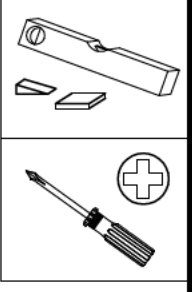
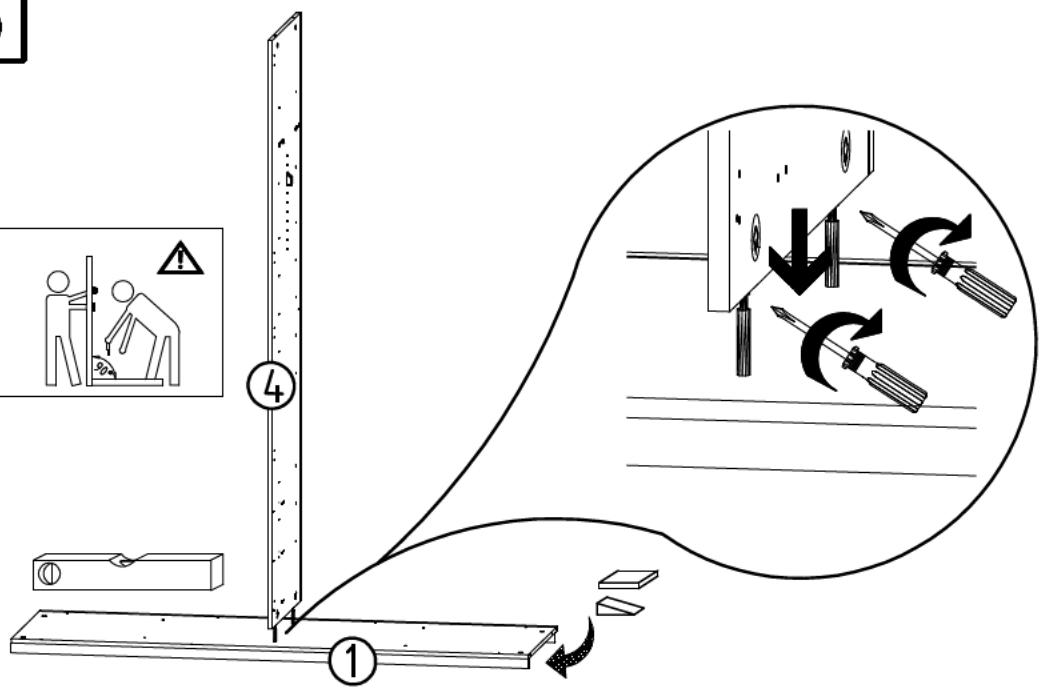
3



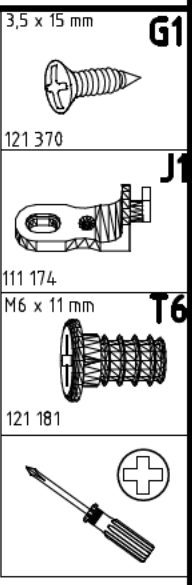
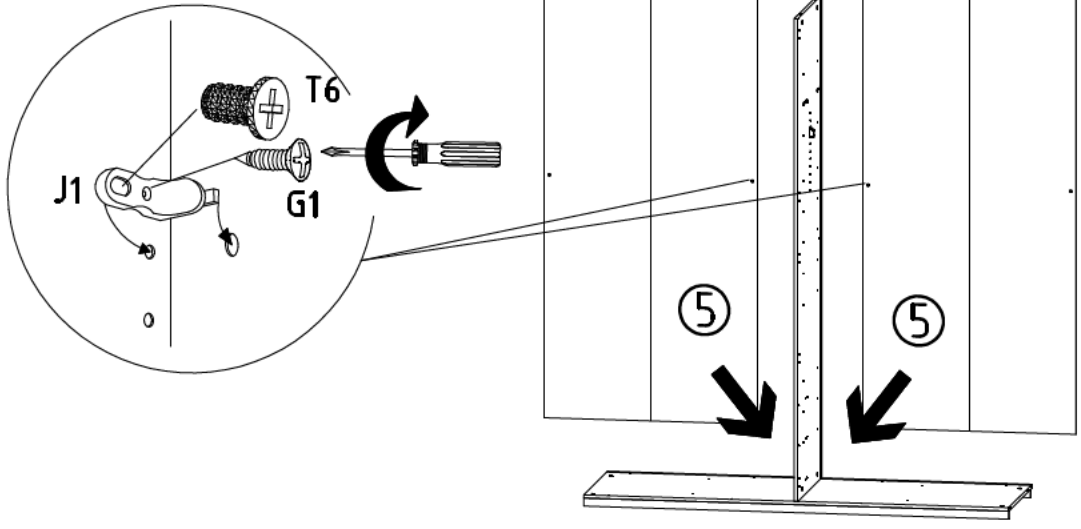
4



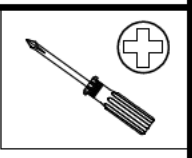
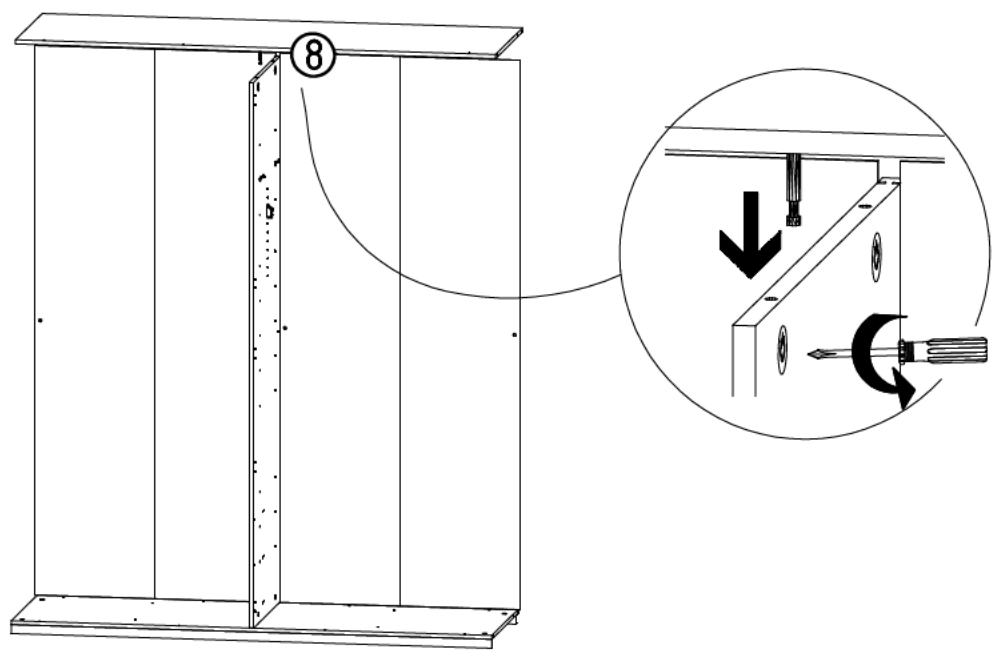
5



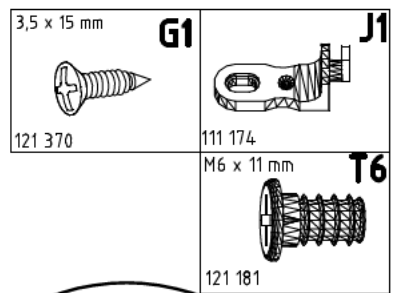
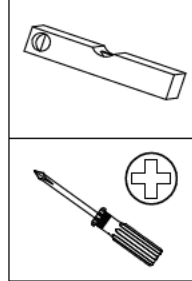
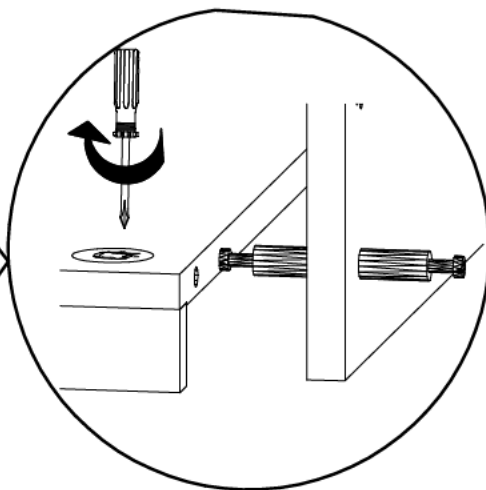
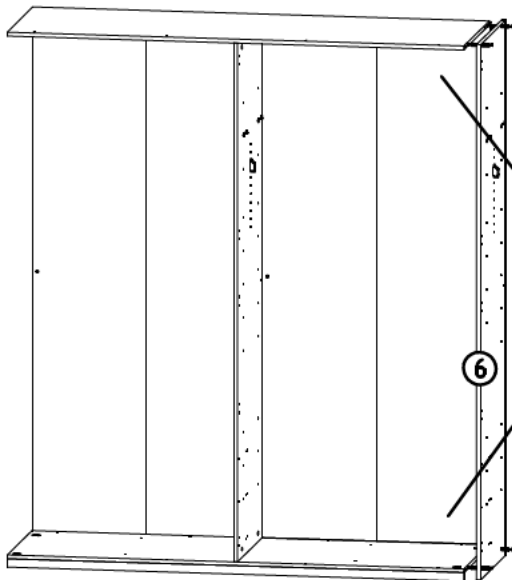
6



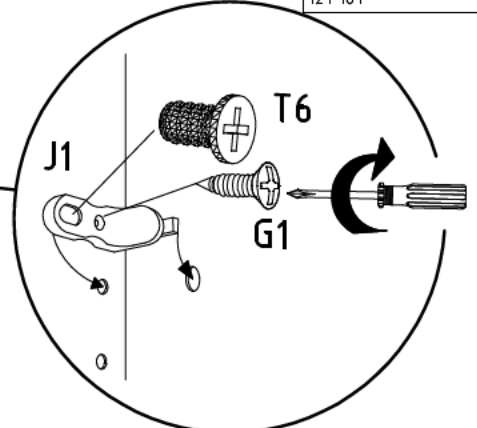
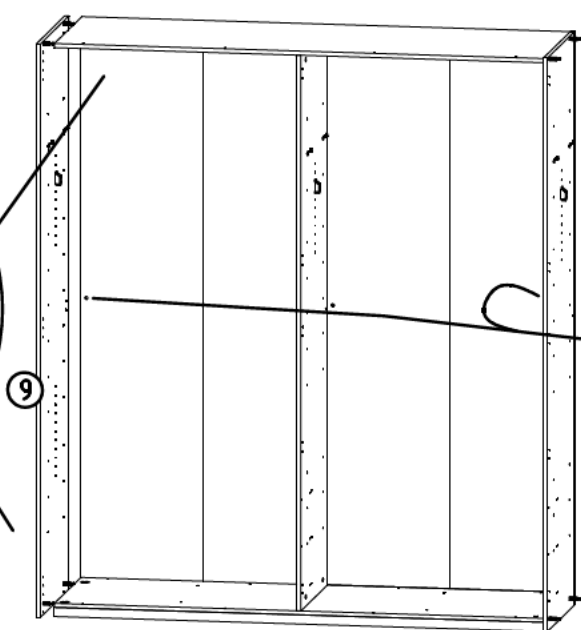
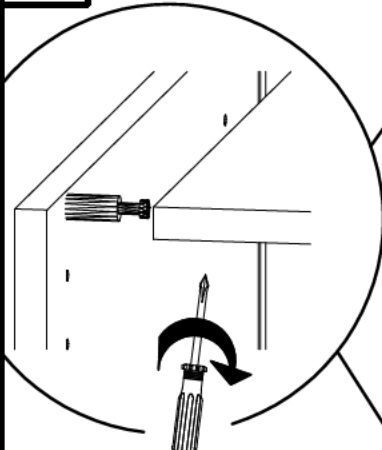
7



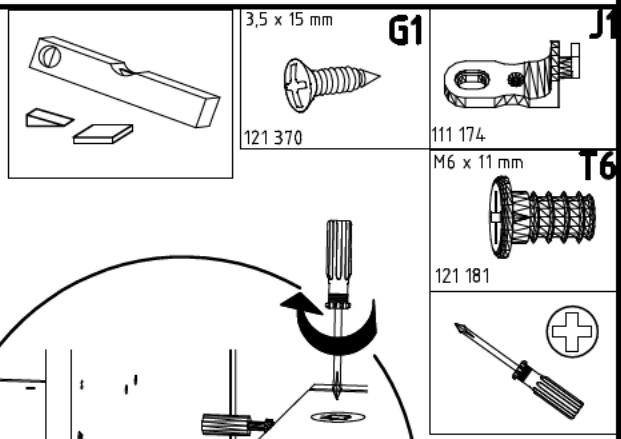
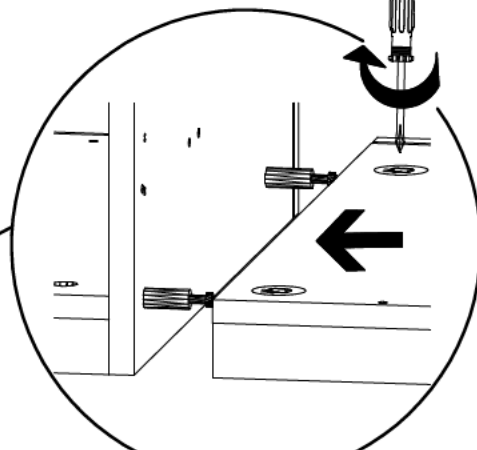
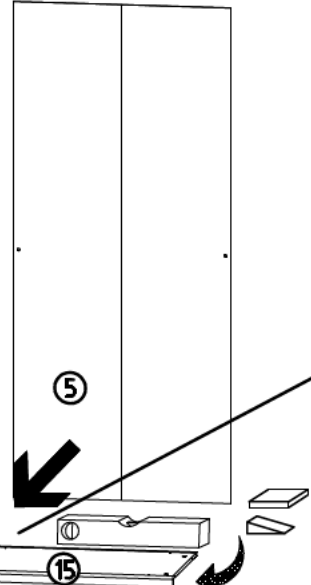
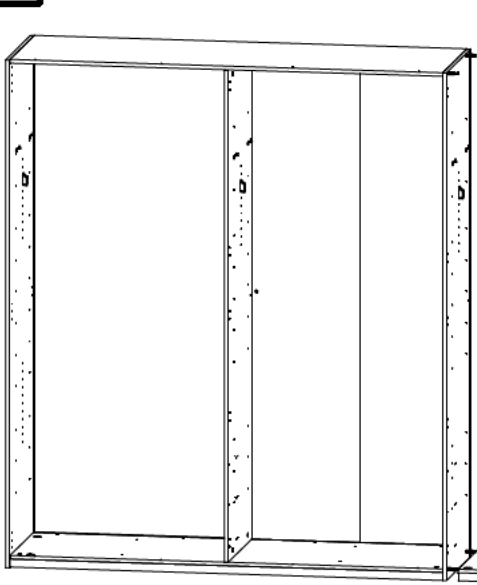
8



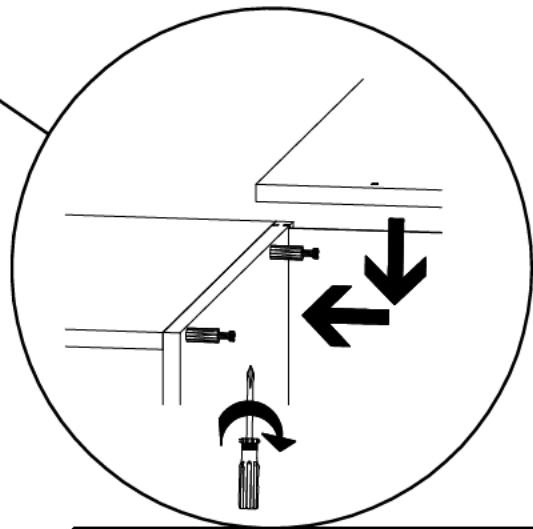
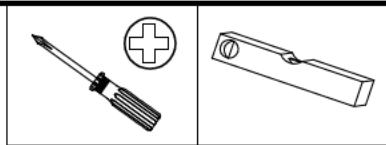
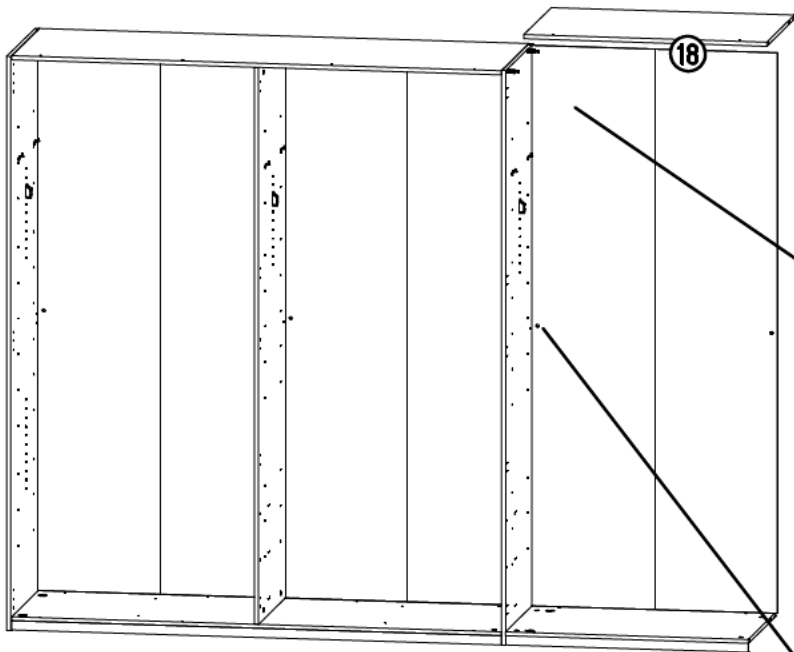
9



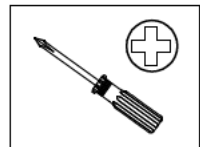
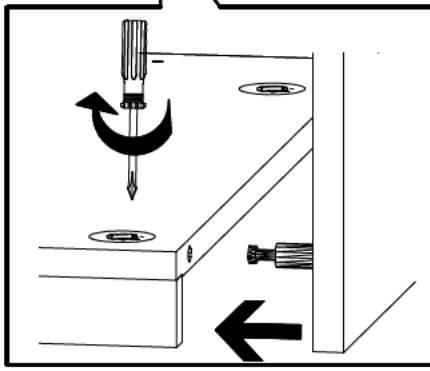
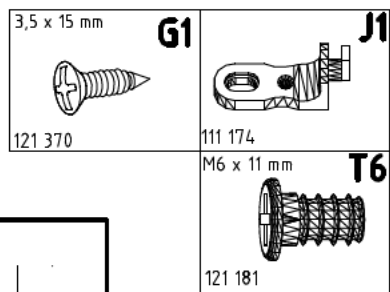
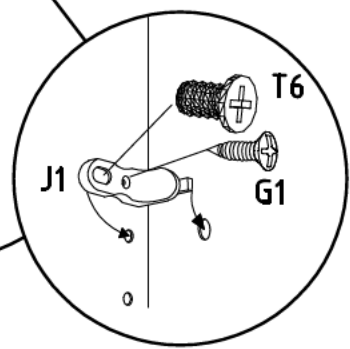
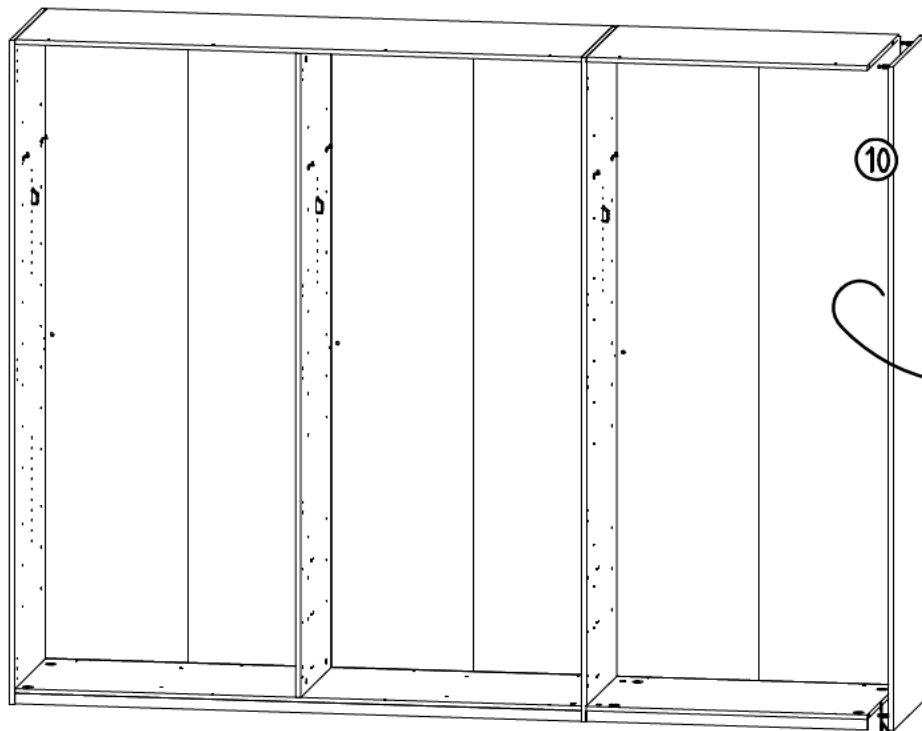
10



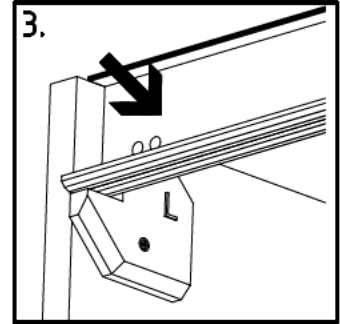
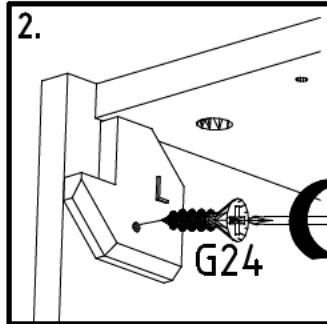
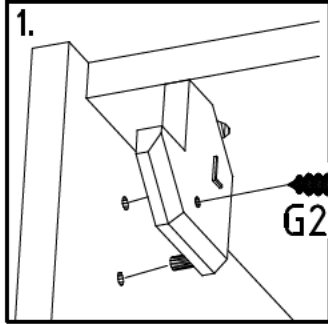
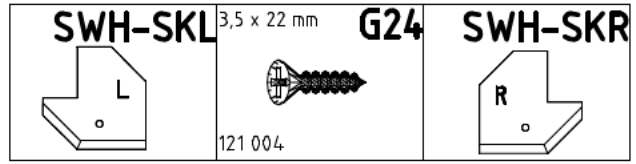
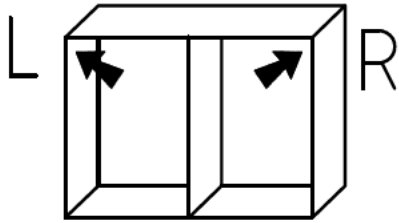
11



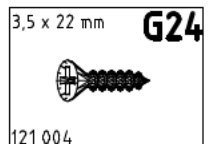
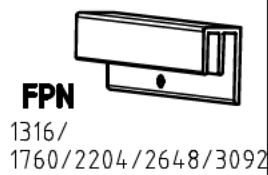
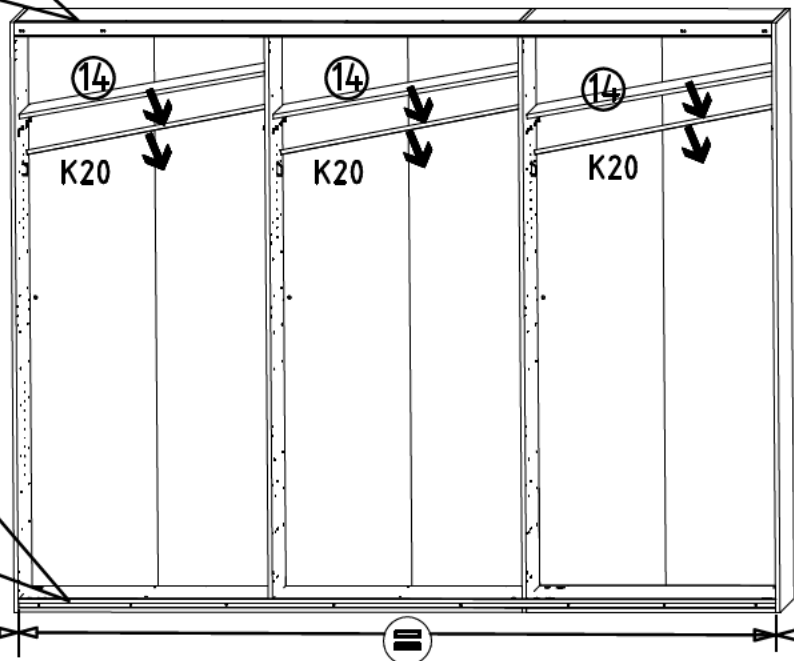
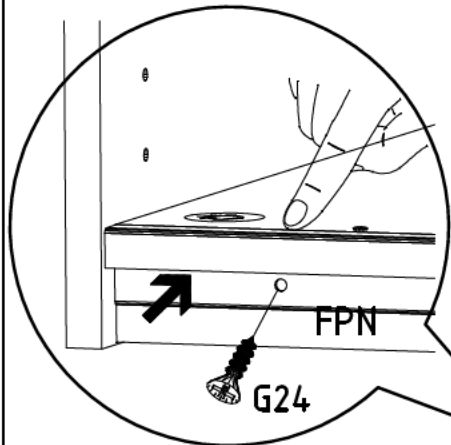
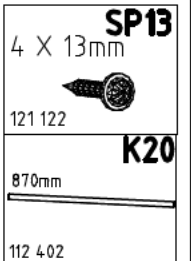
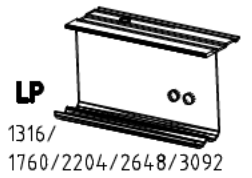
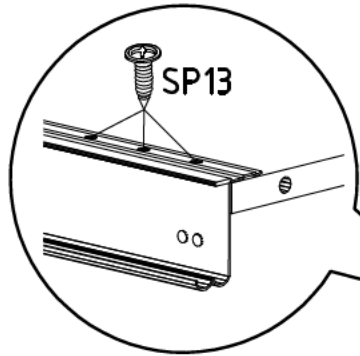
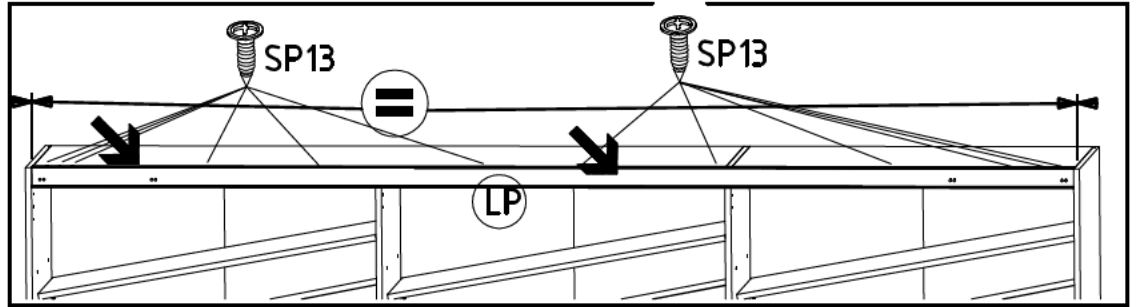
12

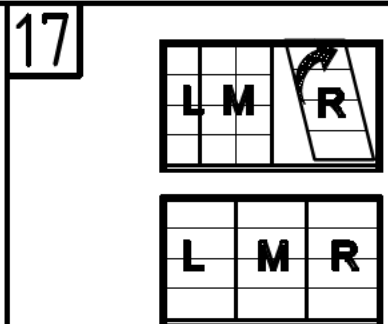
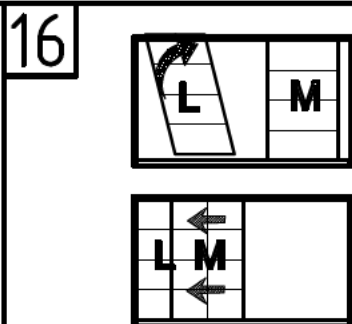
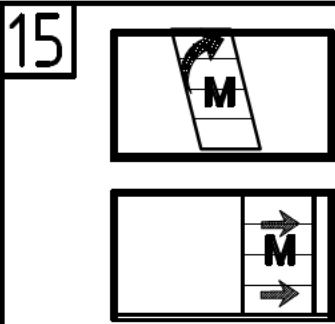


13

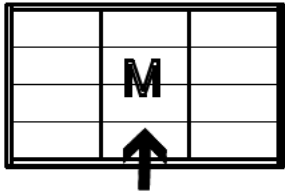


14

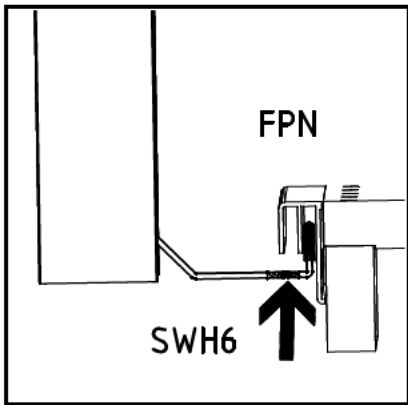




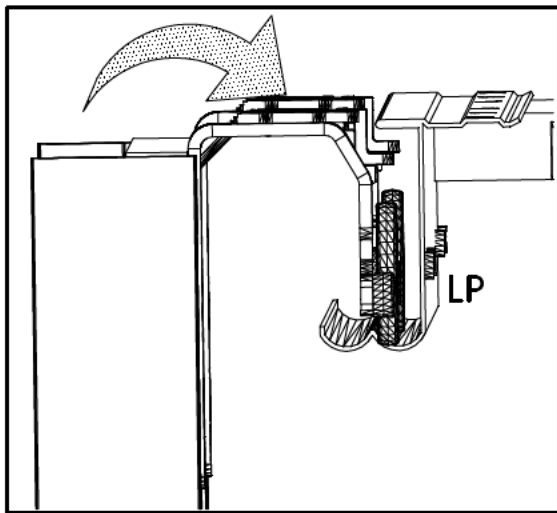
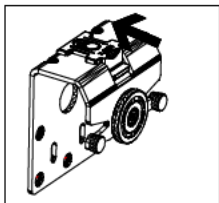
15



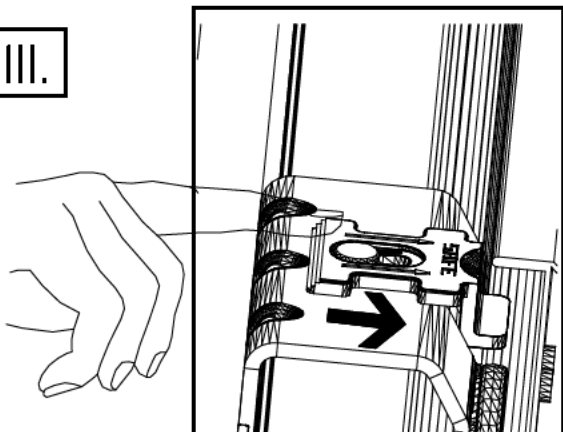
I.



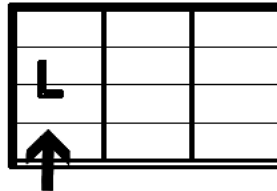
II.



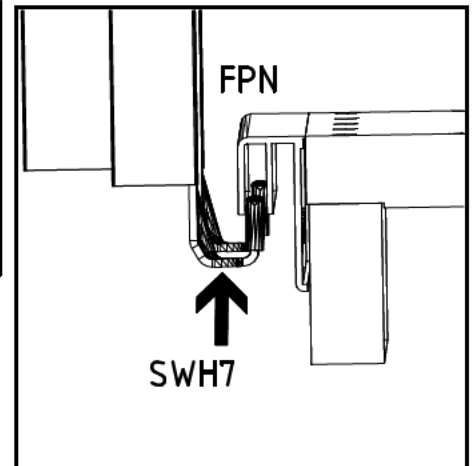
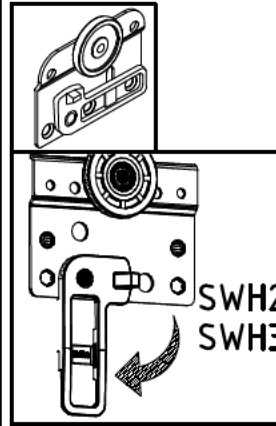
III.



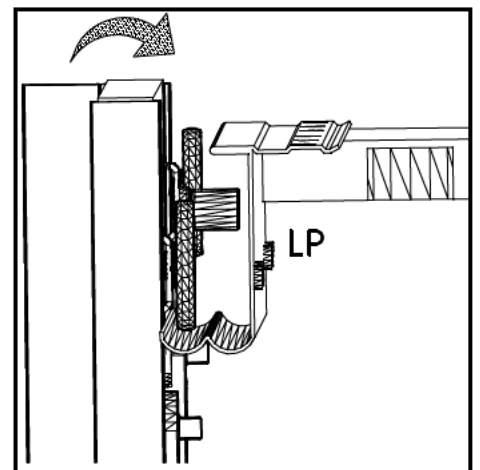
16 + 17



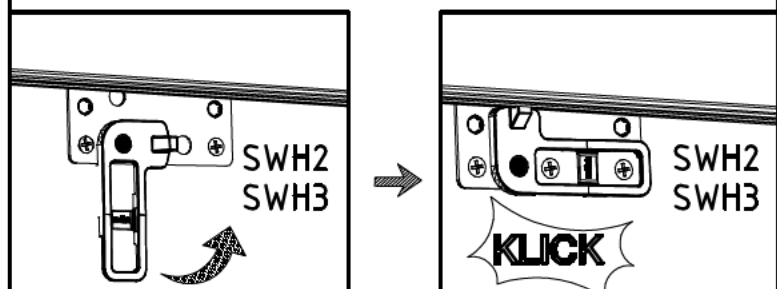
I.

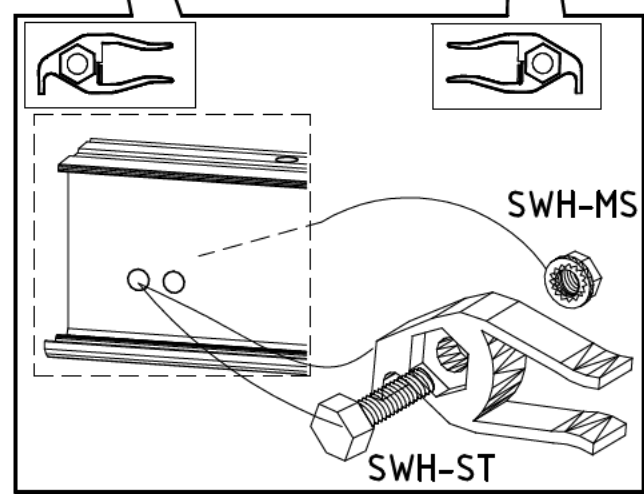
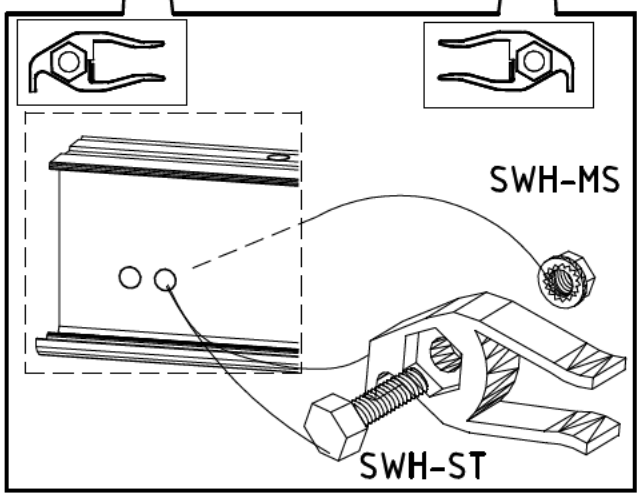
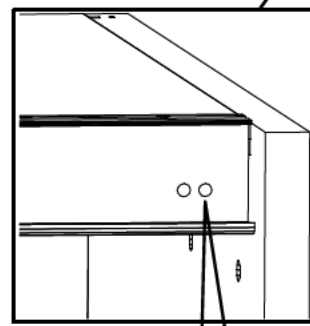
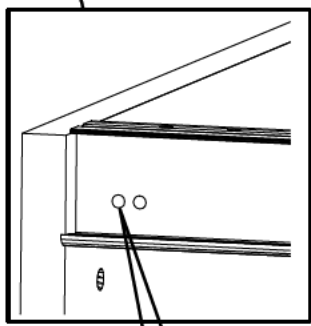
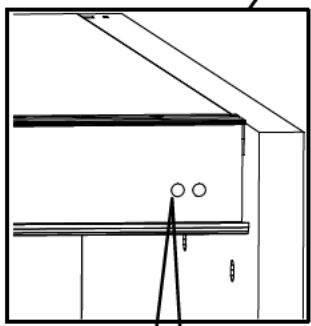
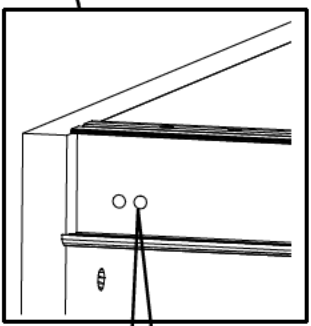
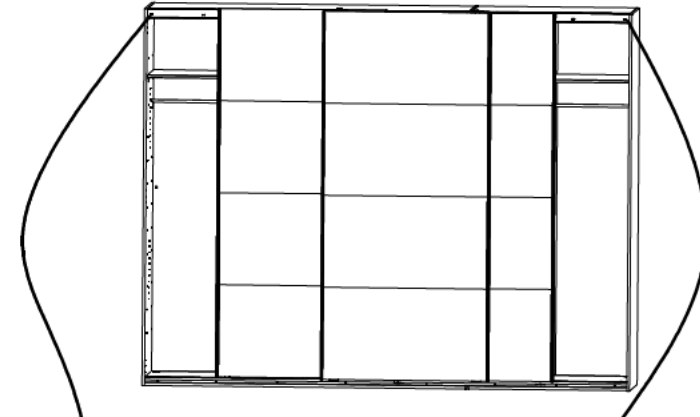
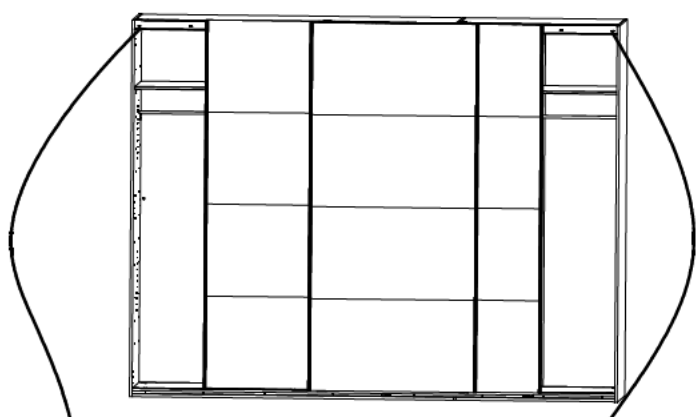
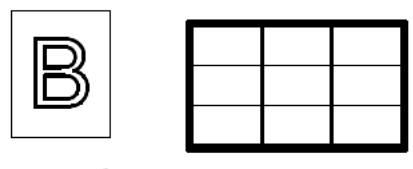
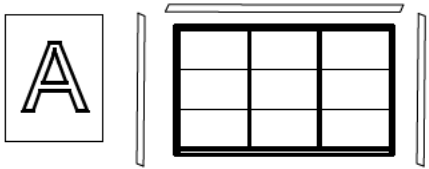
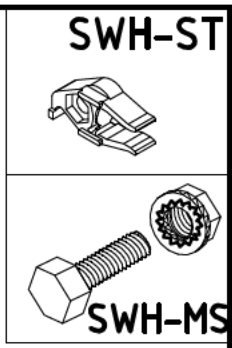
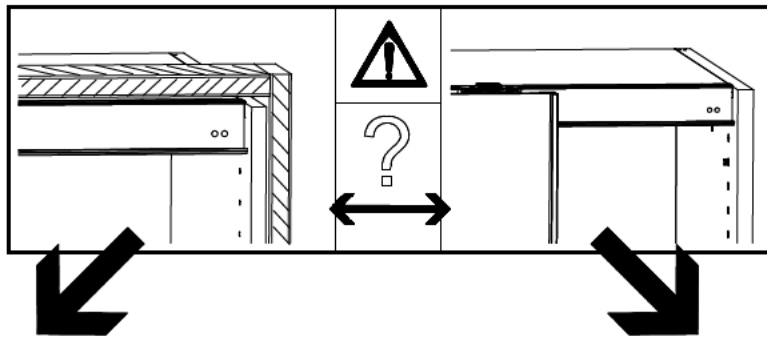


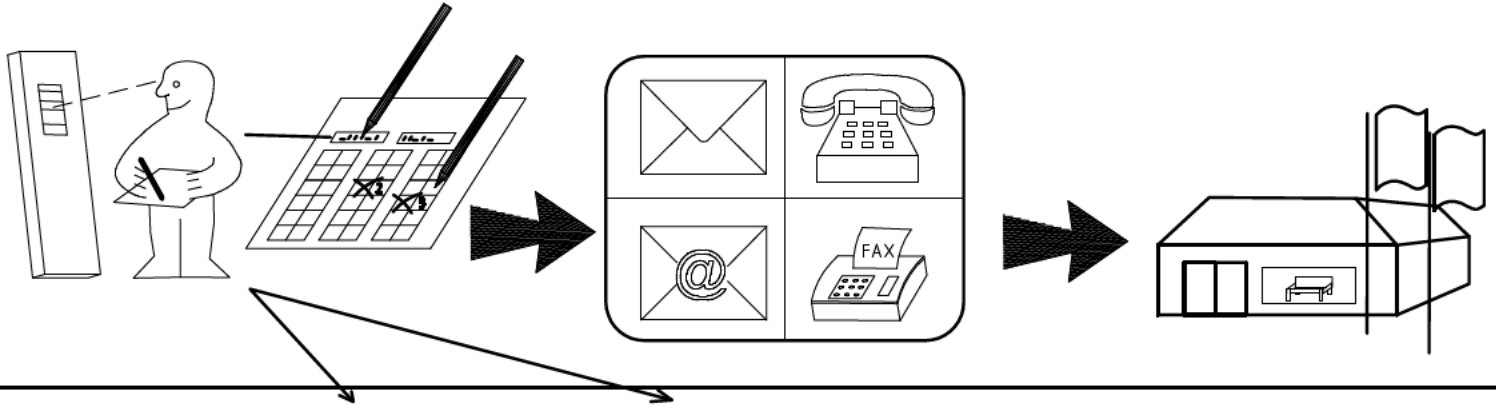
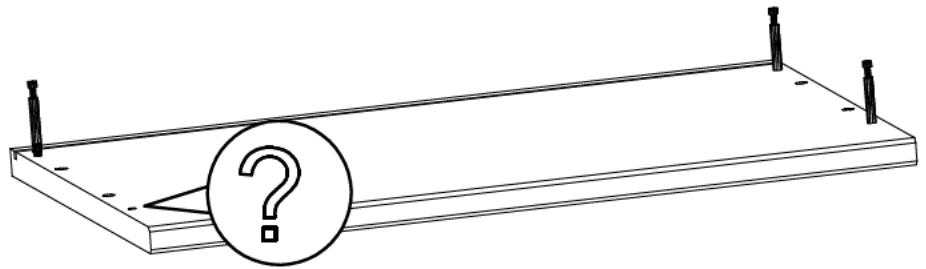
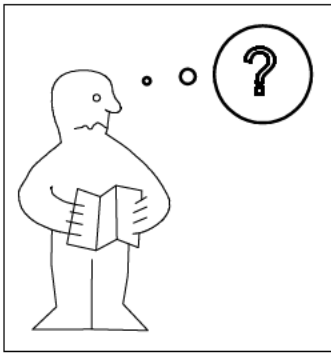
II.



III.







Auftrag/Order-No
No. de Commande

Kunde/Customer
Client

	SWH1
	SWH2
	SWH3
	SWH 6
	SWH 7
	SP13 4 X 13mm 121 122

	SWH-D
	SWH-SKL
	SWH-SKR
	SWH-ST
	SWH-MS M6,3 x 10,5 mm 111 030
	T2

	G1 3,5 x 15 mm 121 370
	G24 3,5 x 22 mm 121 004
	A 111 102
	L7 111 610
	H5 114 183
	G14 3,5 x 35 mm 121 375

	K1 117 001
	C 111 103
	J1 111 174
	T6 M6 x 11 mm 121 181
	K20 870mm 112 402
	K21 424mm 112 403
	F3

