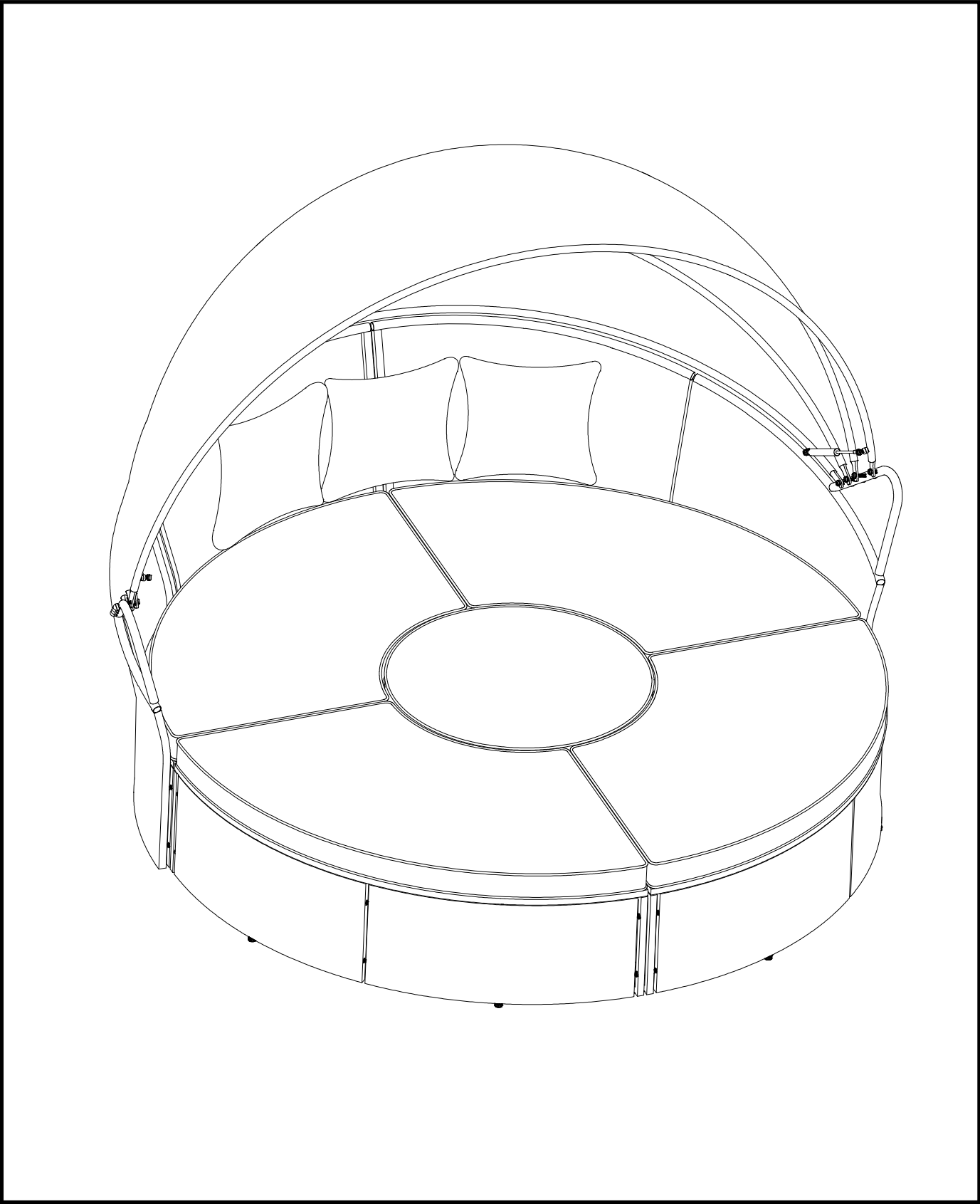
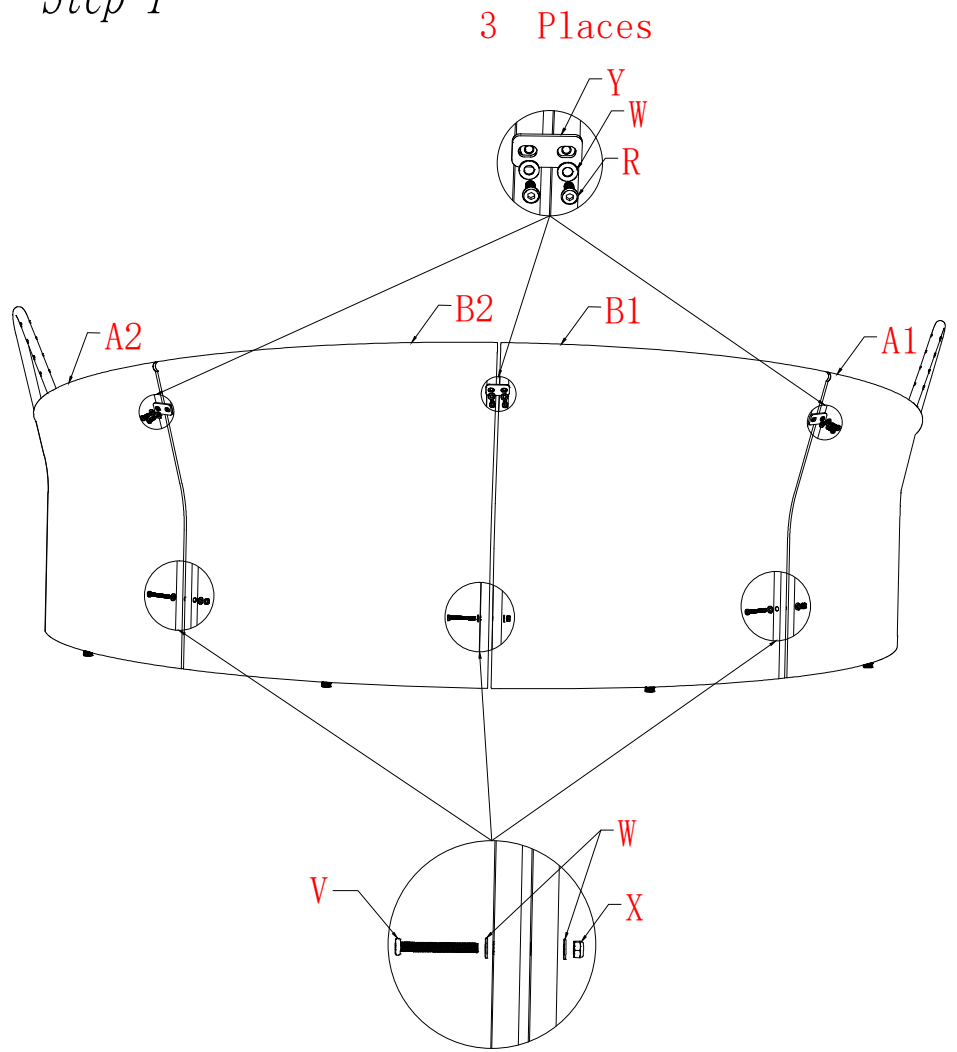


0S-01



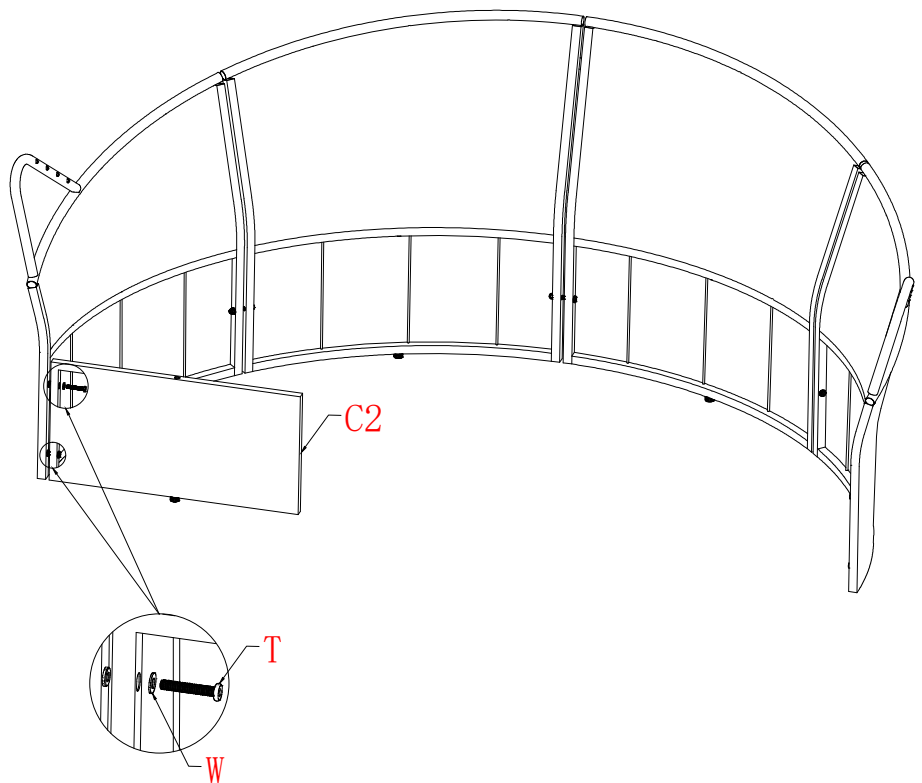
A1		1
A2		1
B1		1
B2		1
C1		1
C2		1
D		2
E1		1
E2		1
R	M6*15	16
T	M6*32	12
V	M6*50	5
W		38
X		5
Y		4
Z		4

Step 1



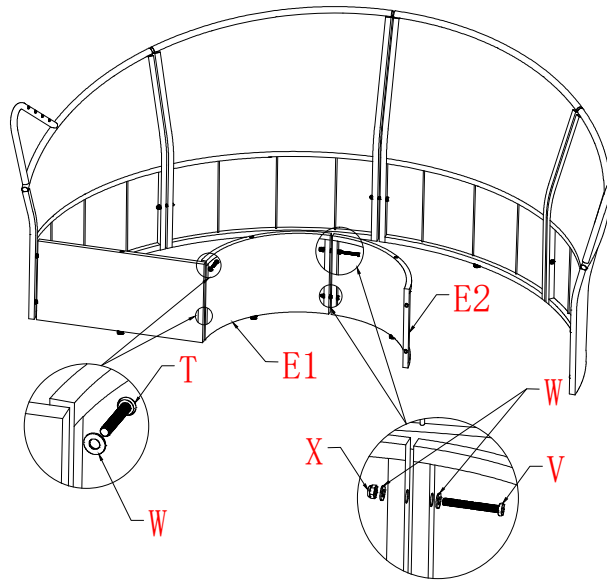
3 Places

Step 2

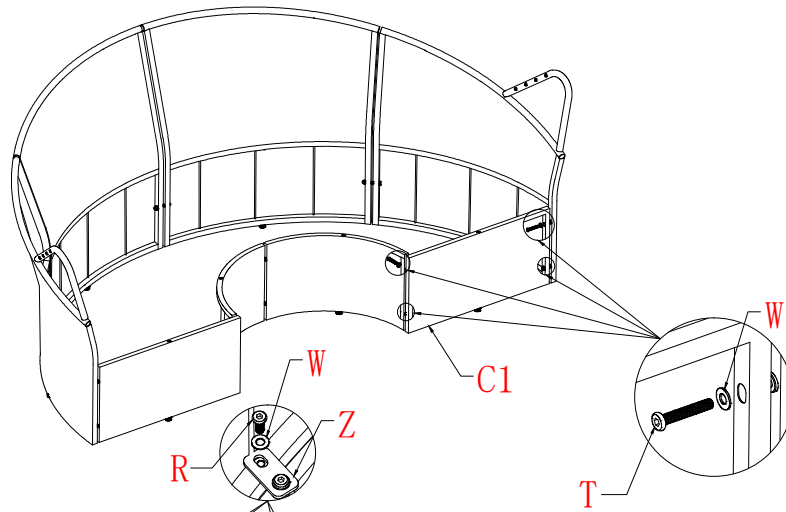


W

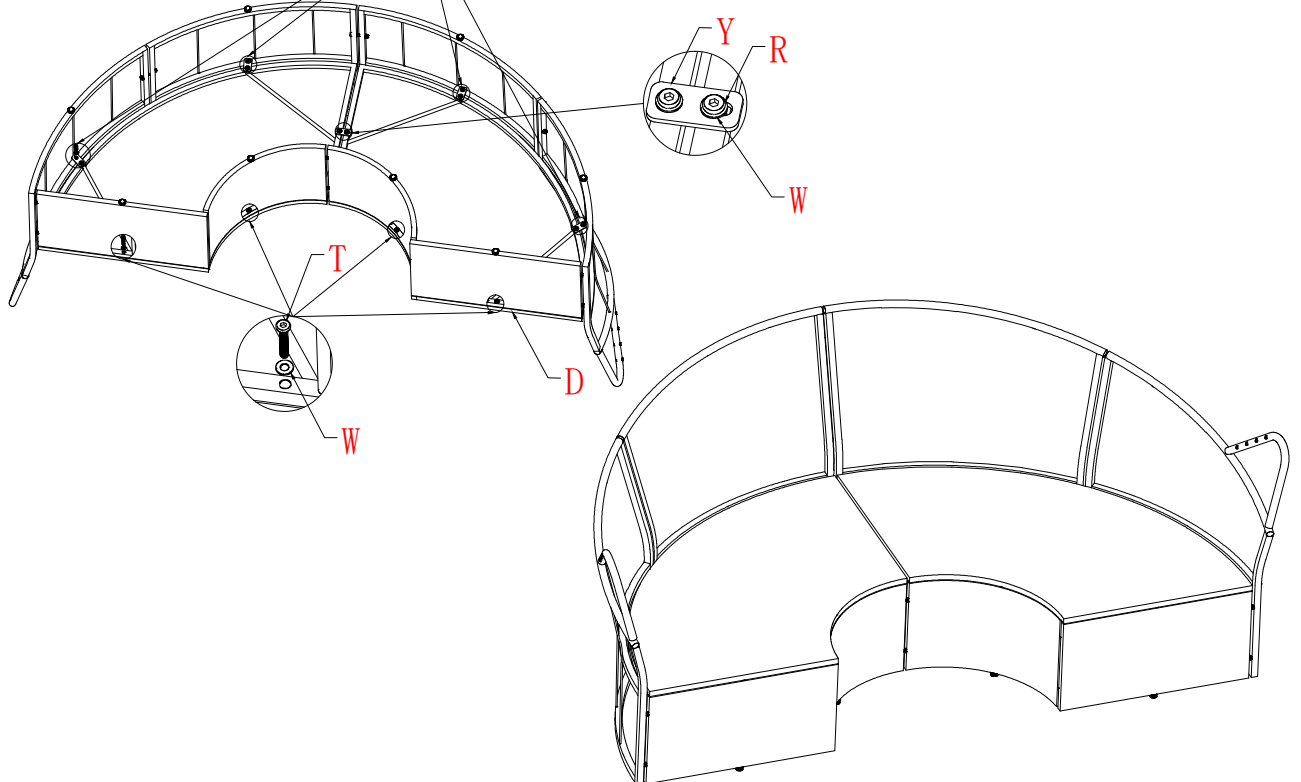
Step 3



Step 4

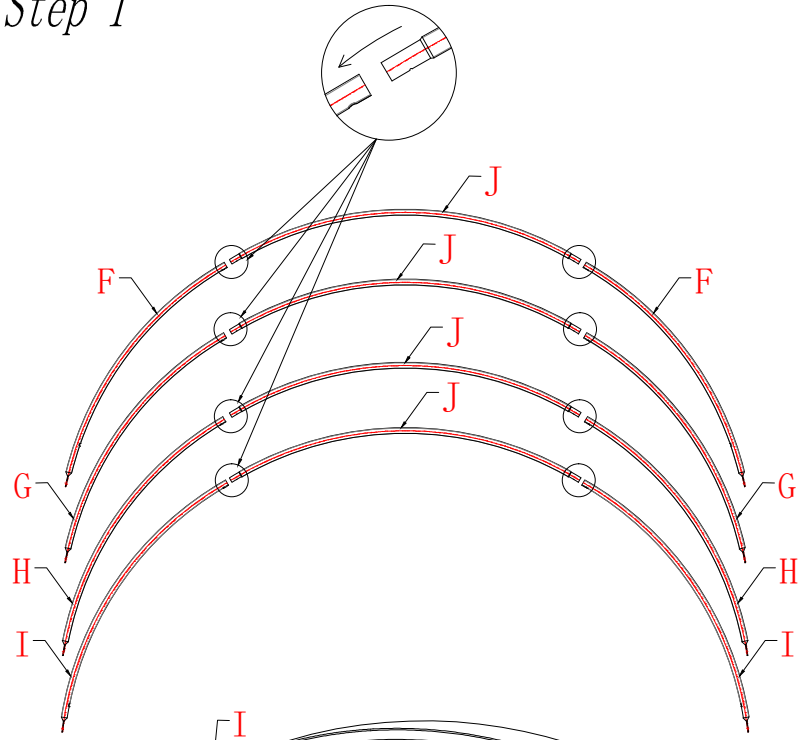


Step 5

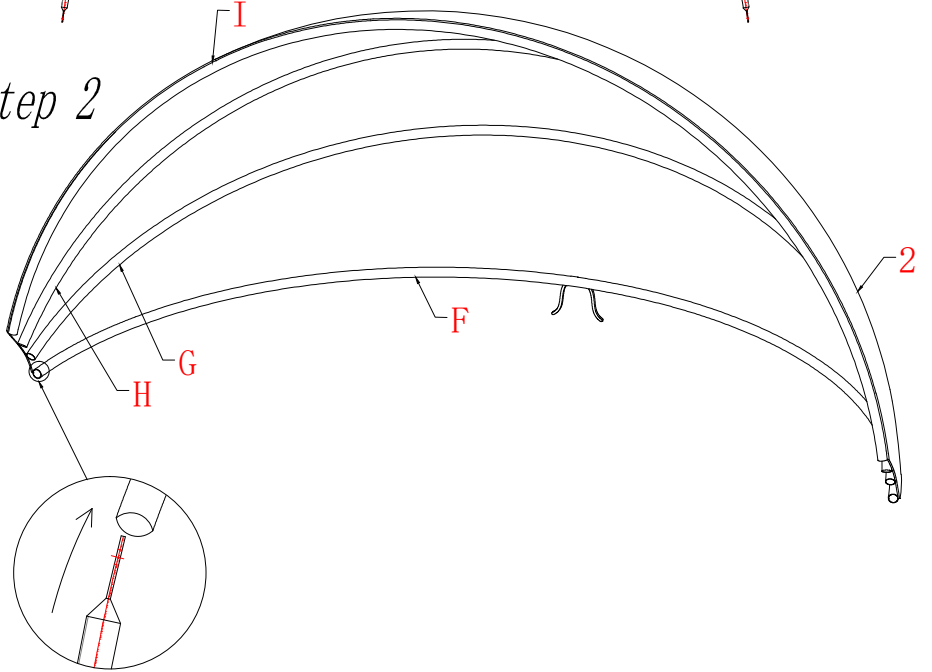


F		2
G		2
H		2
I		2
J		4
S	M6*20	4
T	M6*32	8
W		20
X		8
1		8
2		1
3		2
4	5mm	4

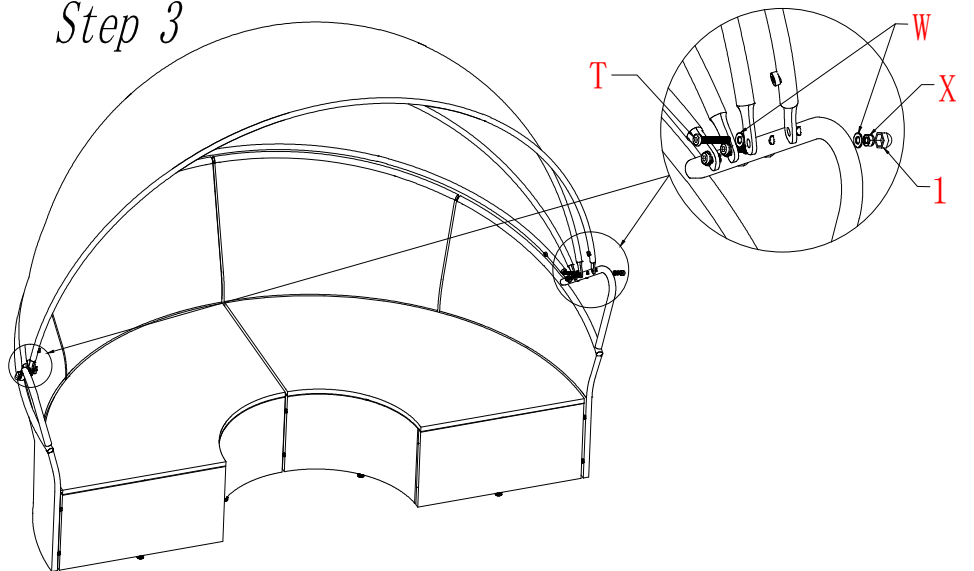
Step 1



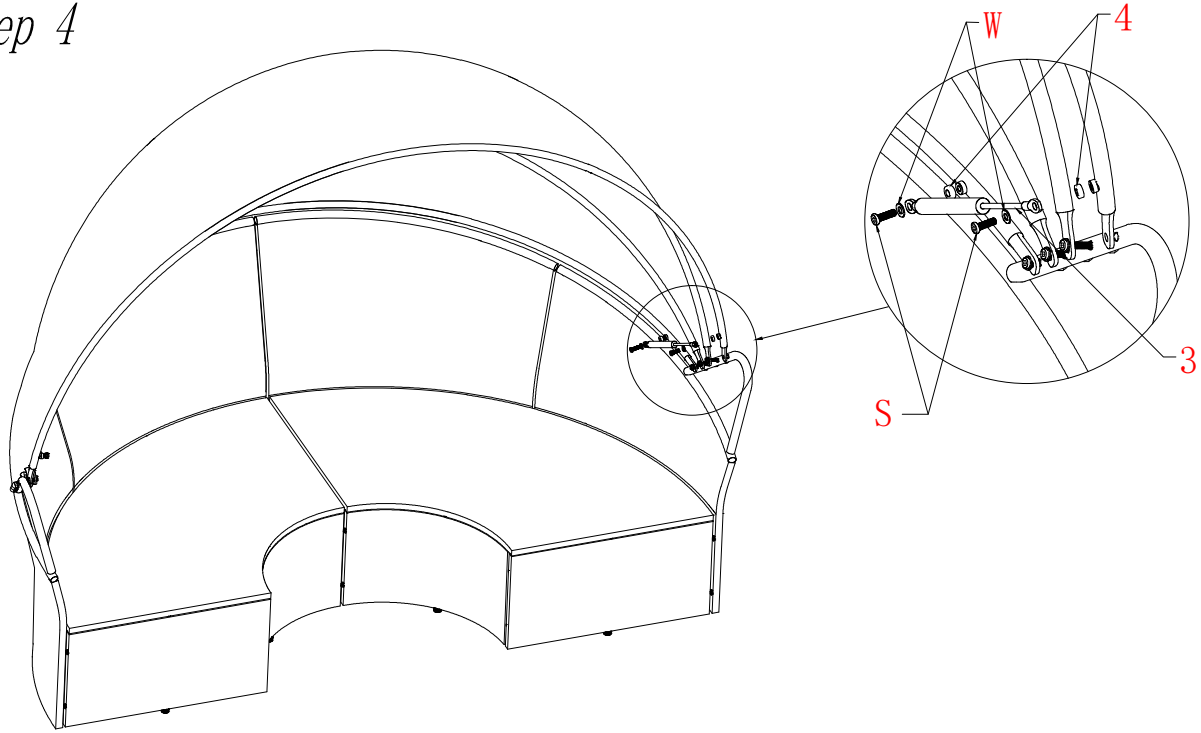
Step 2



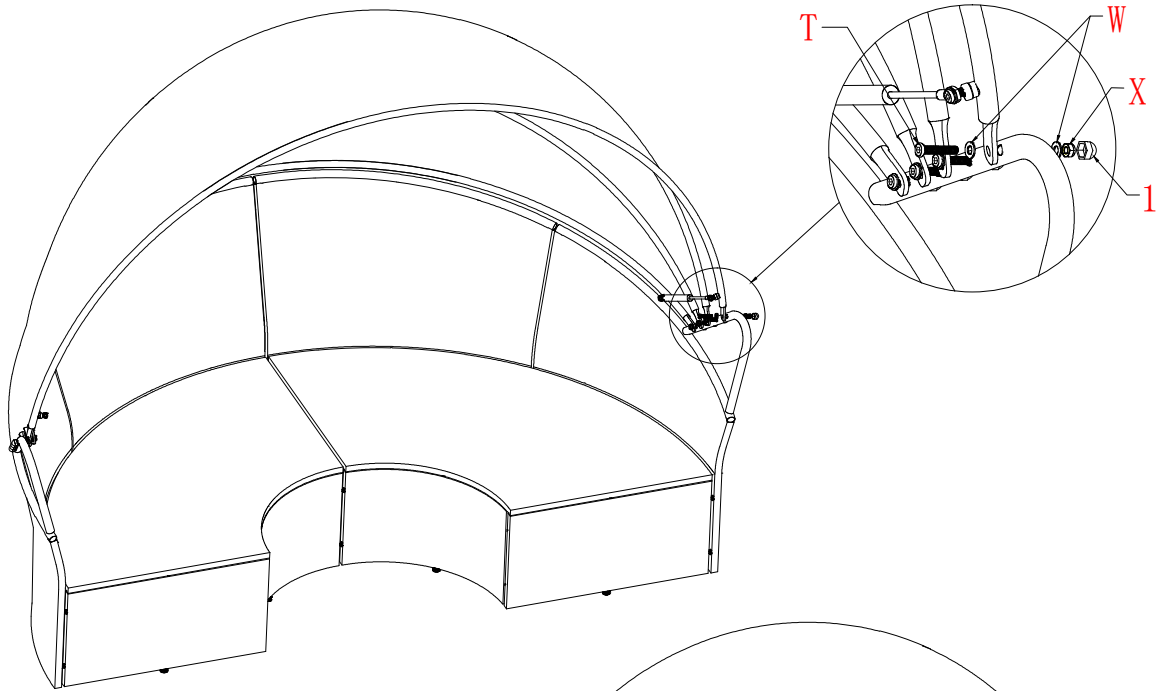
Step 3

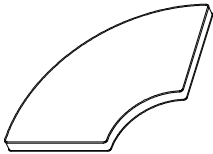
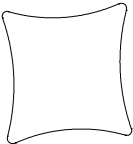


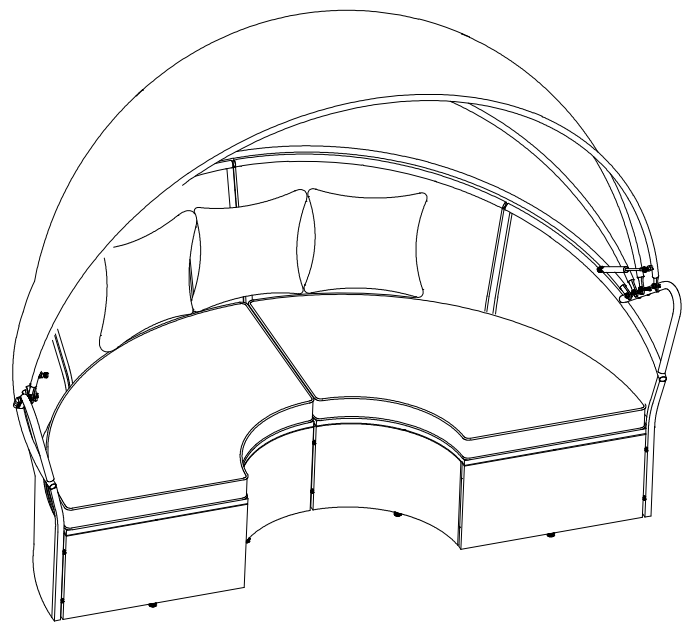
Step 4



Step 5

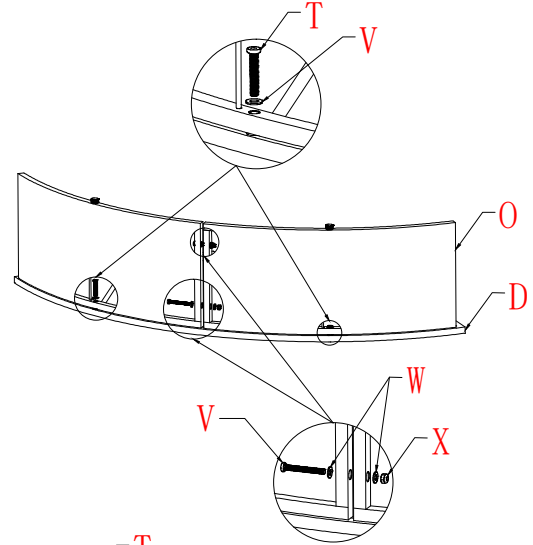


	2
	3

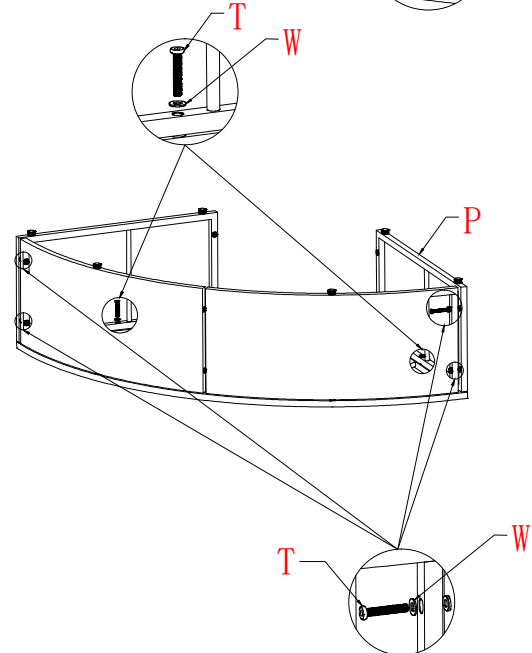


D		2
O		4
P		4
Q		2
T	M6*32	26
V	M6*50	4
W		34
X		4
		2

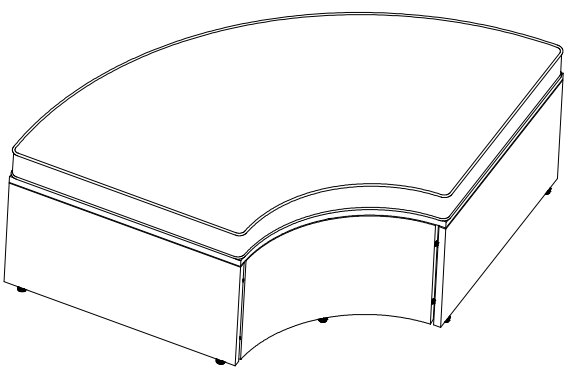
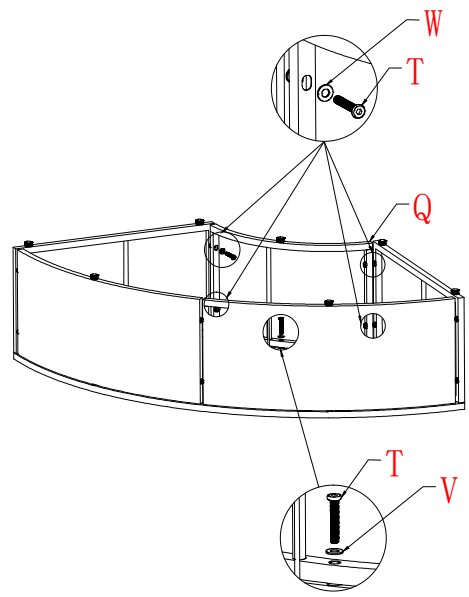
Step 1

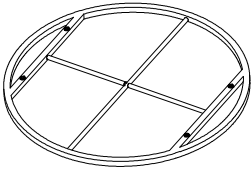
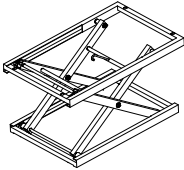
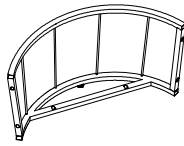
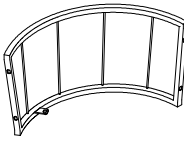
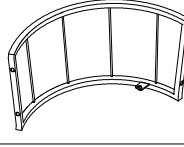







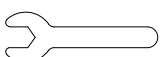
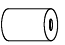
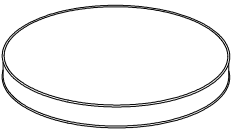


Step 2

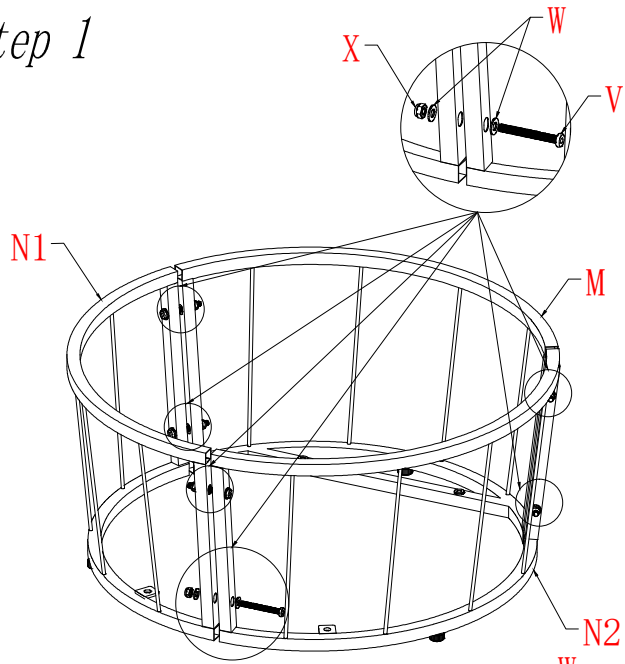


Step 3

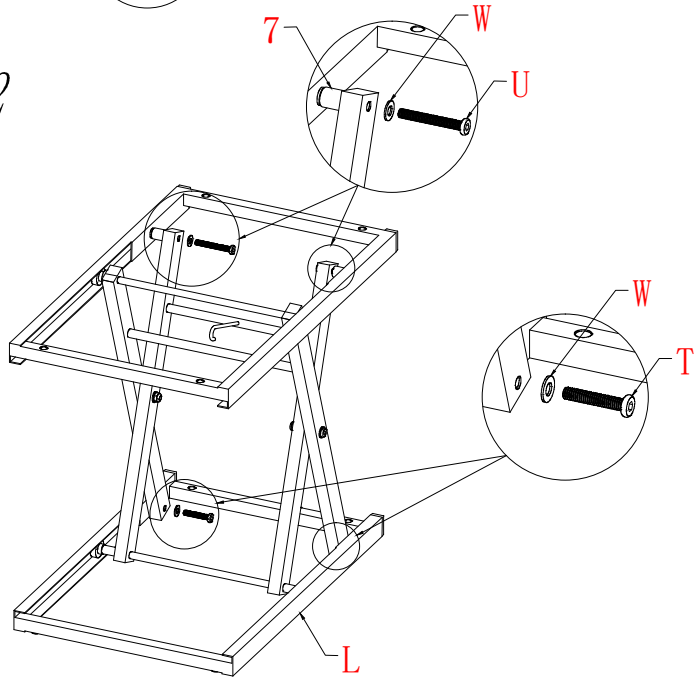


K		1
L		1
M		1
N1		1
N2		1
R	 M6*15	2
T	 M6*32	8
U	 M6*45	2
V	 M6*50	6
W		24
X		6
5		1
6		1
7	 15mm	2
		1

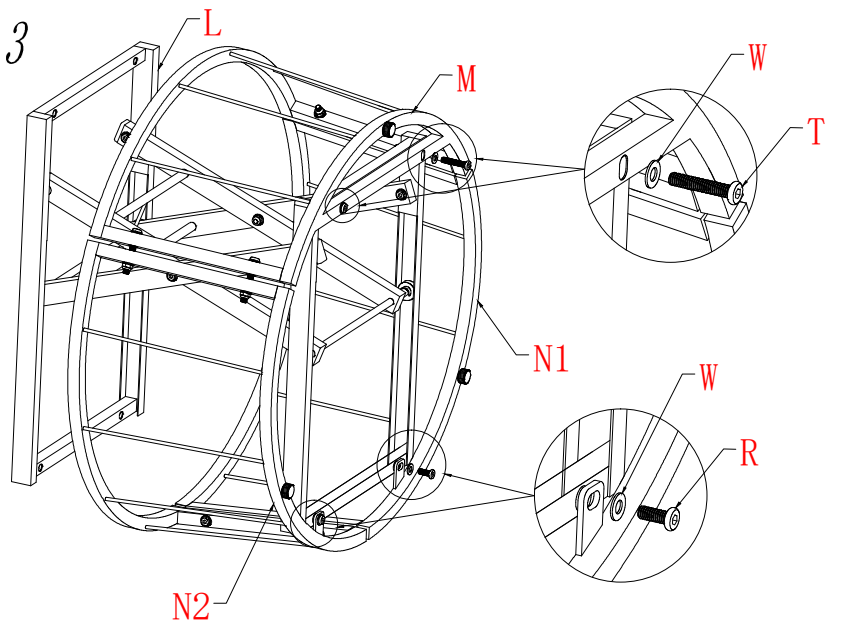
Step 1



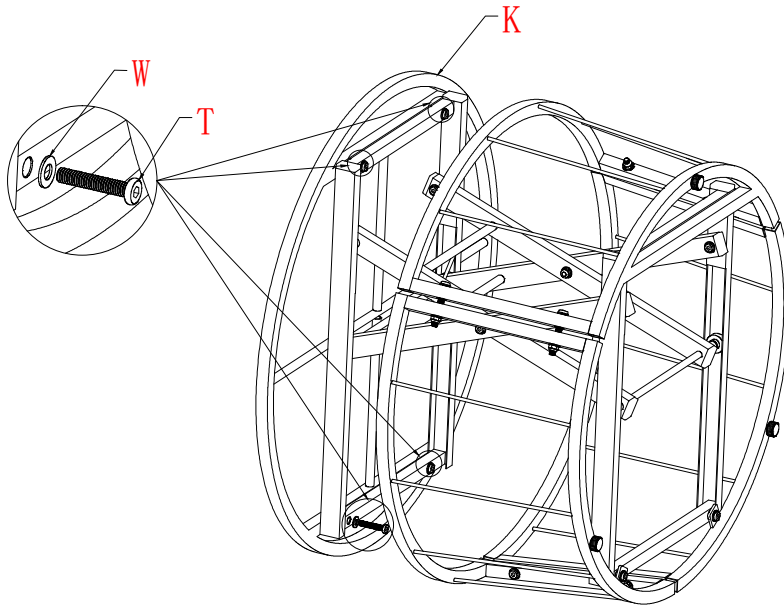
Step 2



Step 3



Step 4



Step 5

