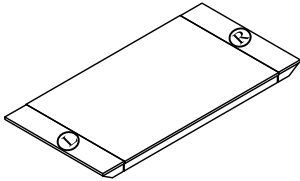
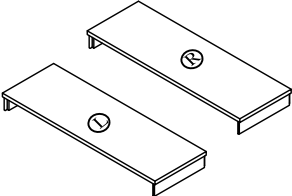
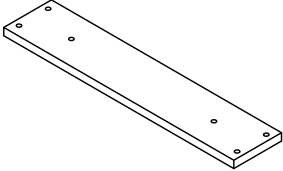


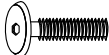






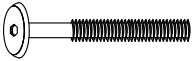
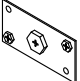
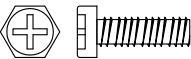
# ASSEMBLY INSTRUCTION

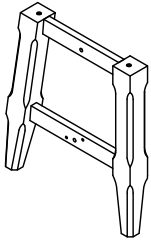
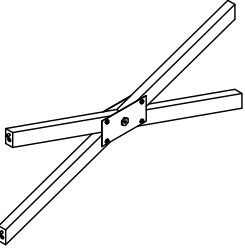
DESCRIPTION: TABLE TOP

DESCRIPTION: TABLE BASE

Thank you for purchasing this quality product. Be sure to check all packing material carefully for small parts which may have come loose inside the carton during shipment. Identify and count all parts and compare with the parts list below.

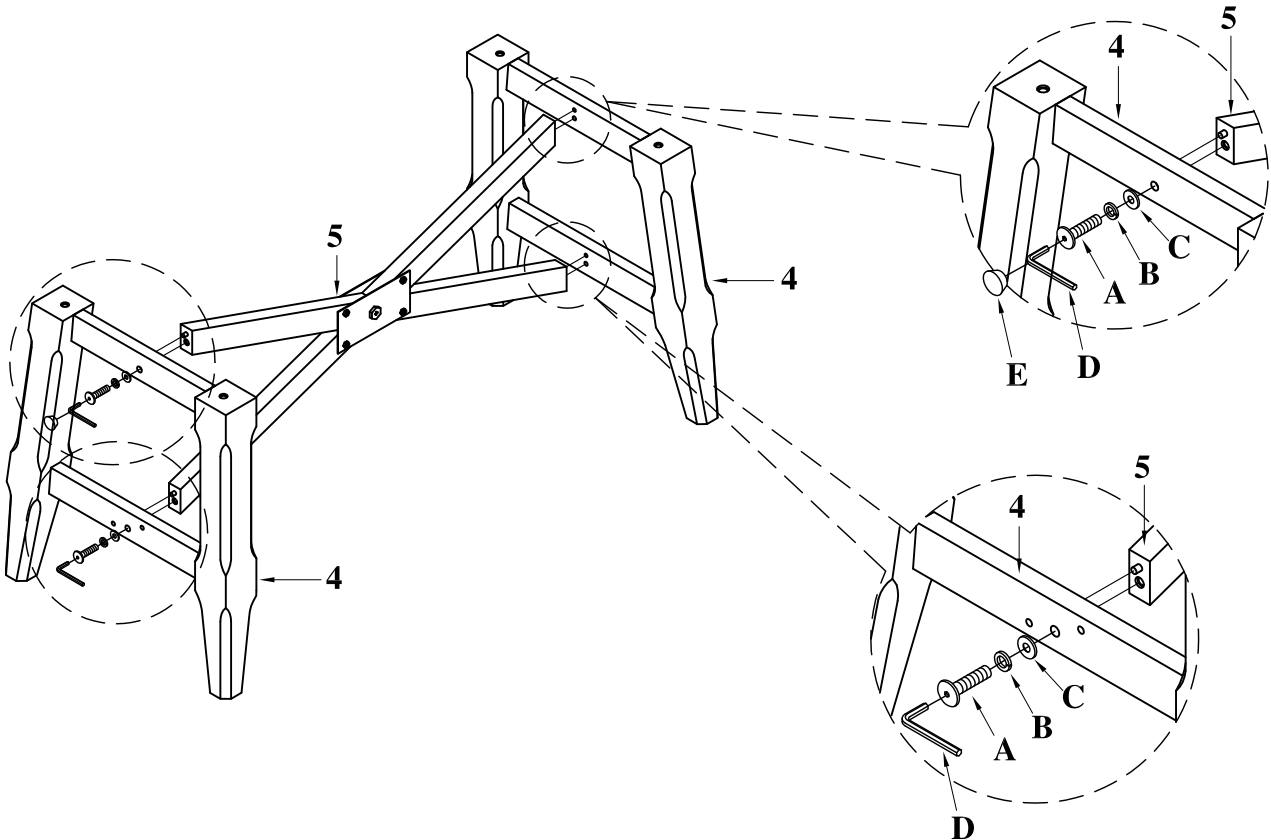
PARTS LIST			
NO.	DESCRIPTION	DRAWING	Q'TY
1	Table Top		1 pc
2	Table Leaf		2 pcs
3	Mounting Plate		2 pcs

HARDWARE LIST			
NO.	DESCRIPTION	DRAWING	Q'TY
A	Bolt Ø1/4" x 1-1/4"		4 pcs
B	Lock Washer Ø5/16"x Ø12mm		16 pcs
C	Small Washer Ø1/4" x Ø12mm		4 pcs
D	Allen key 1/8" x 2-1/4"		1 pc
E	Wood Cap Ø13.5 x 8mm		2 pcs
F	Bolt Ø5/16" x 1-3/4"		4 pcs
G	Flat Washer Ø5/16"x Ø19mm		12 pcs
H	Bolt Ø5/16"x 3-1/4"		8 pcs
I	Metal Plate 100 x 50 x 7.5mm		2 pcs
J	Bolt Ø1/4" x 3/4"		4 pcs

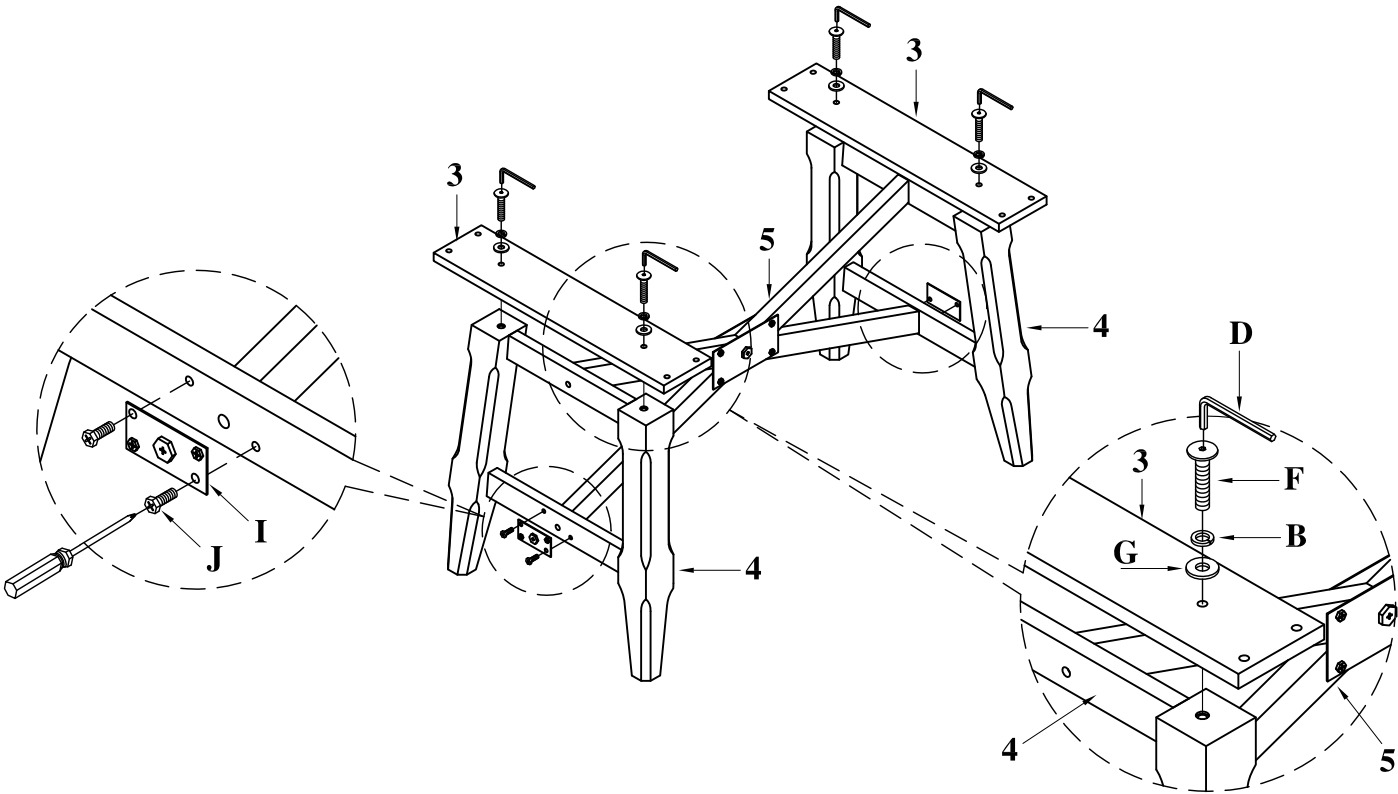
PARTS LIST			
NO.	DESCRIPTION	DRAWING	Q'TY
4	Table Leg		2 pcs
5	Trestle Bar		1 pc

# ASSEMBLY INSTRUCTION

## STEP 1

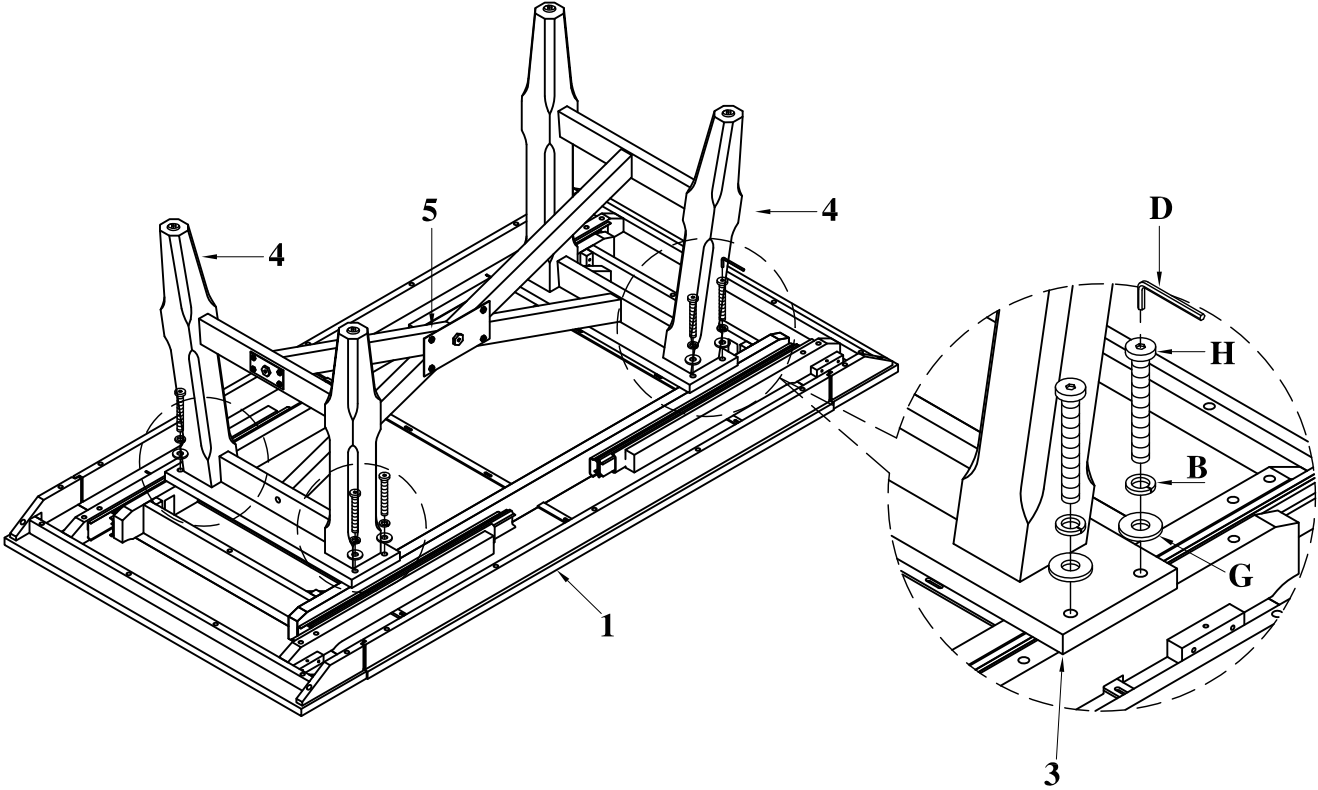


## STEP 2

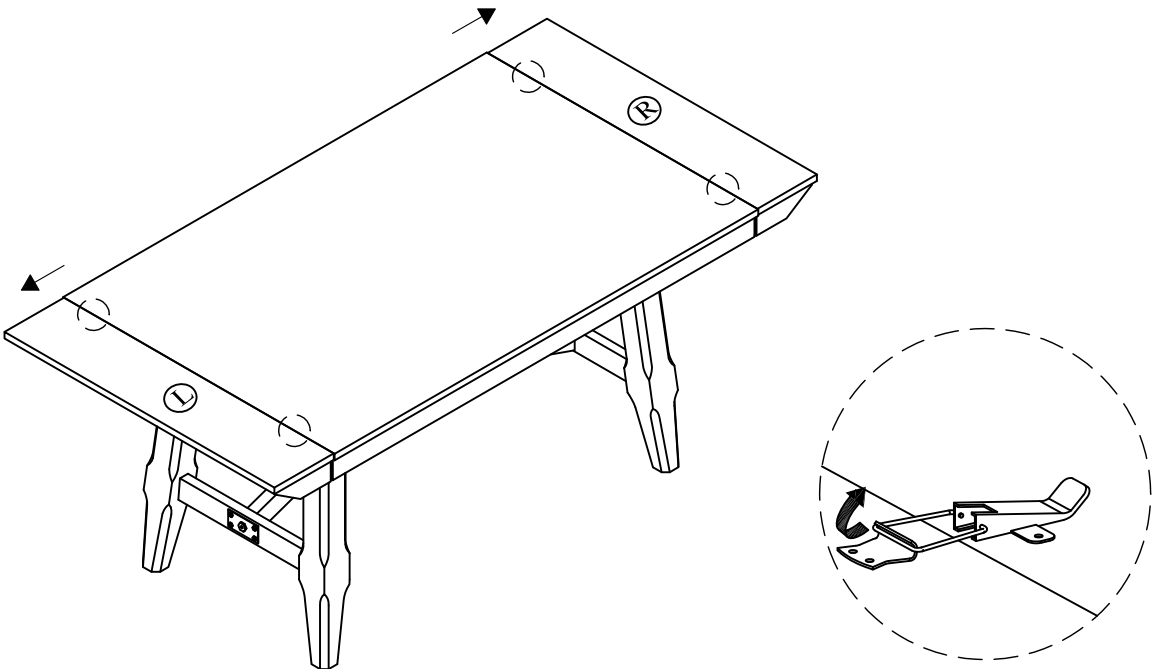


# ASSEMBLY INSTRUCTION

## STEP 3

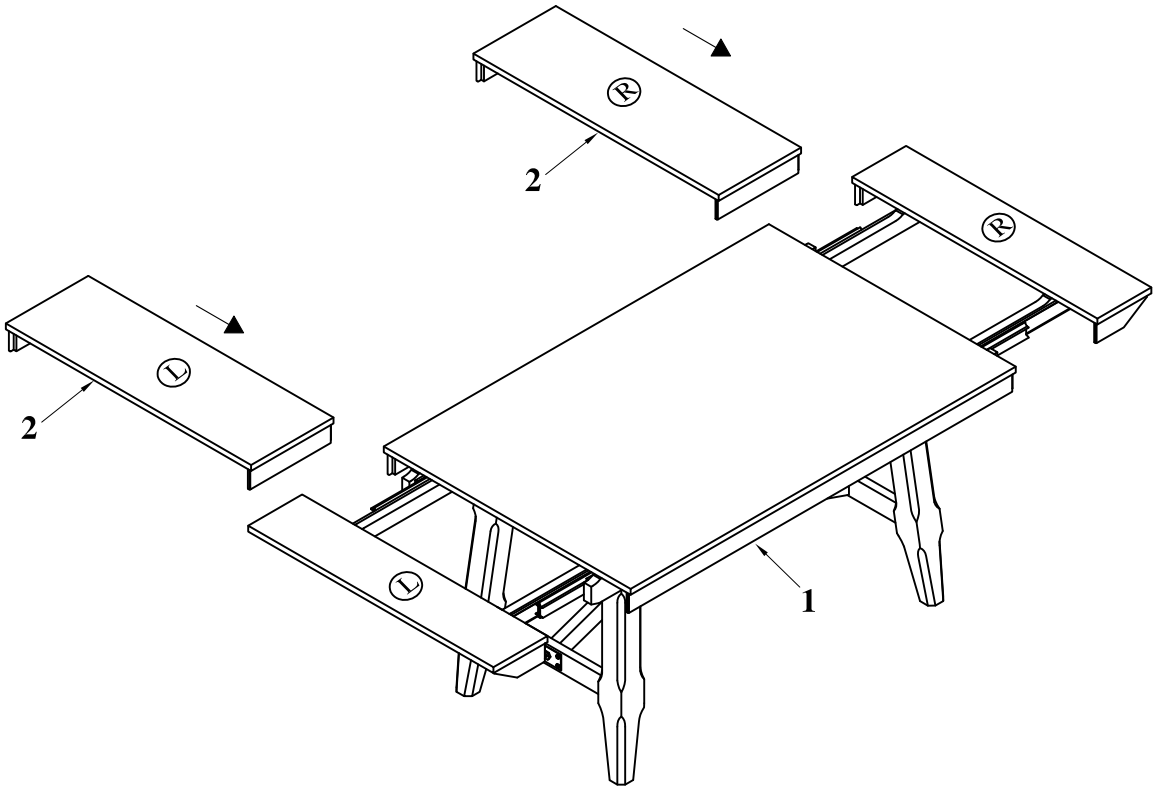


## STEP 4

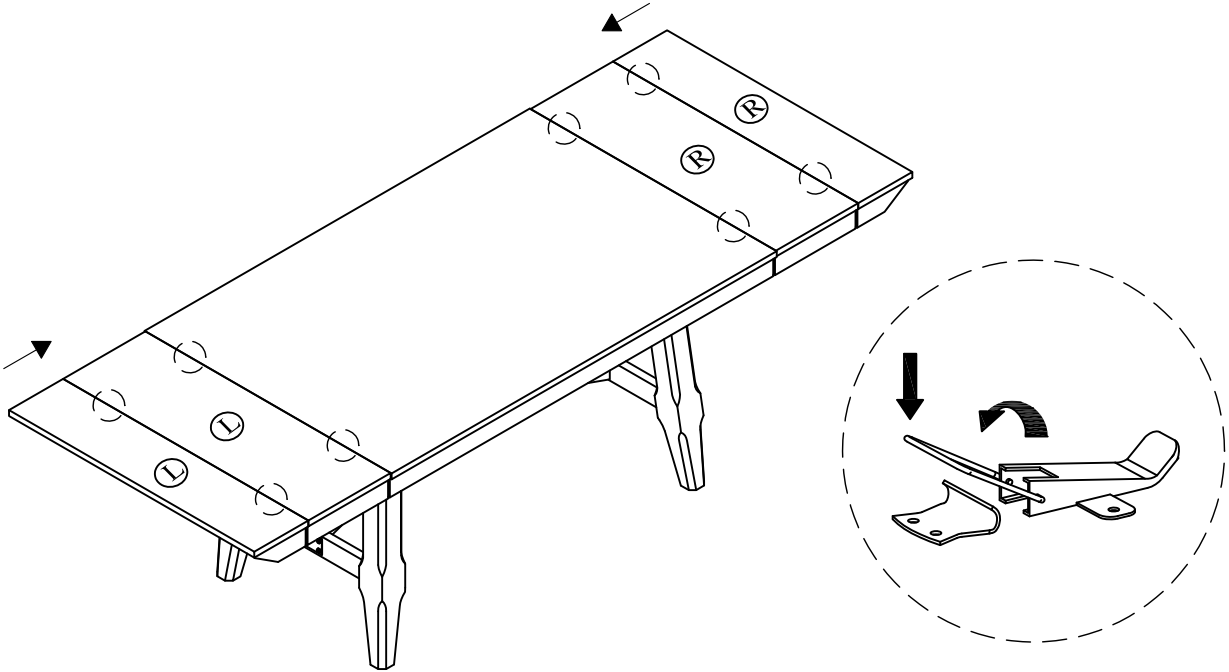


# ASSEMBLY INSTRUCTION

## STEP 5



## STEP 6



## CLEANING INSTRUCTION

Clean the TABLE surface with a furniture polish and a soft cloth.

MADE IN VIETNAM