

1 Components

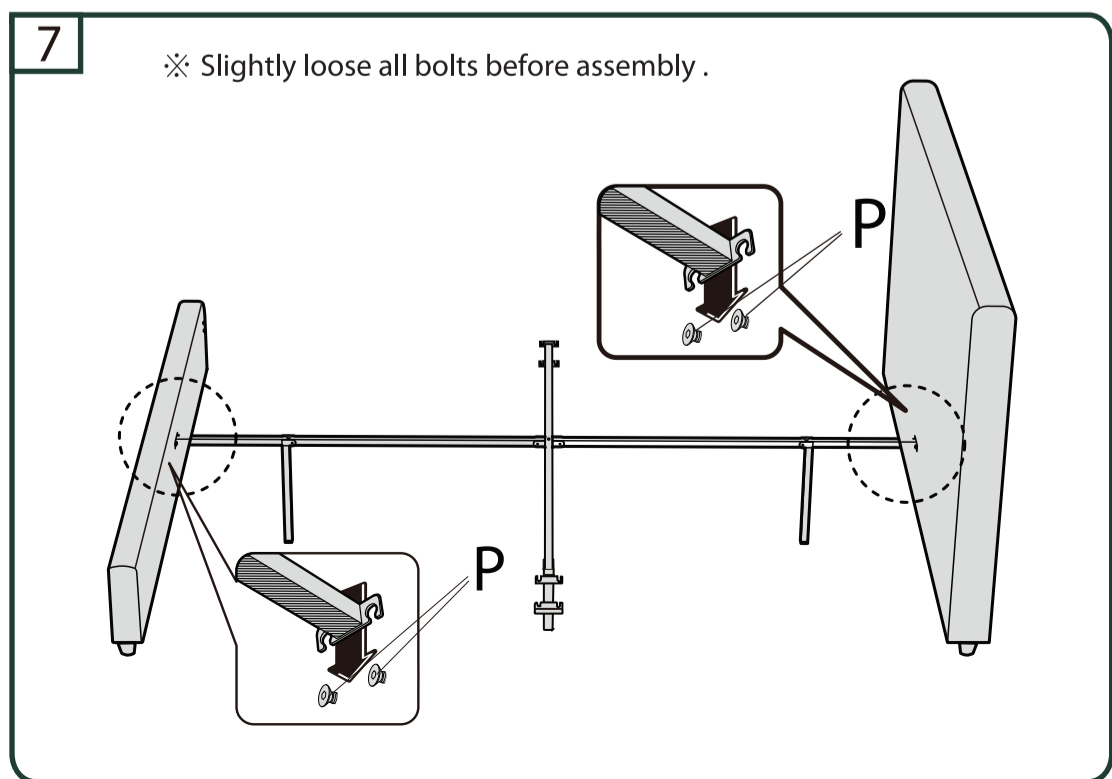
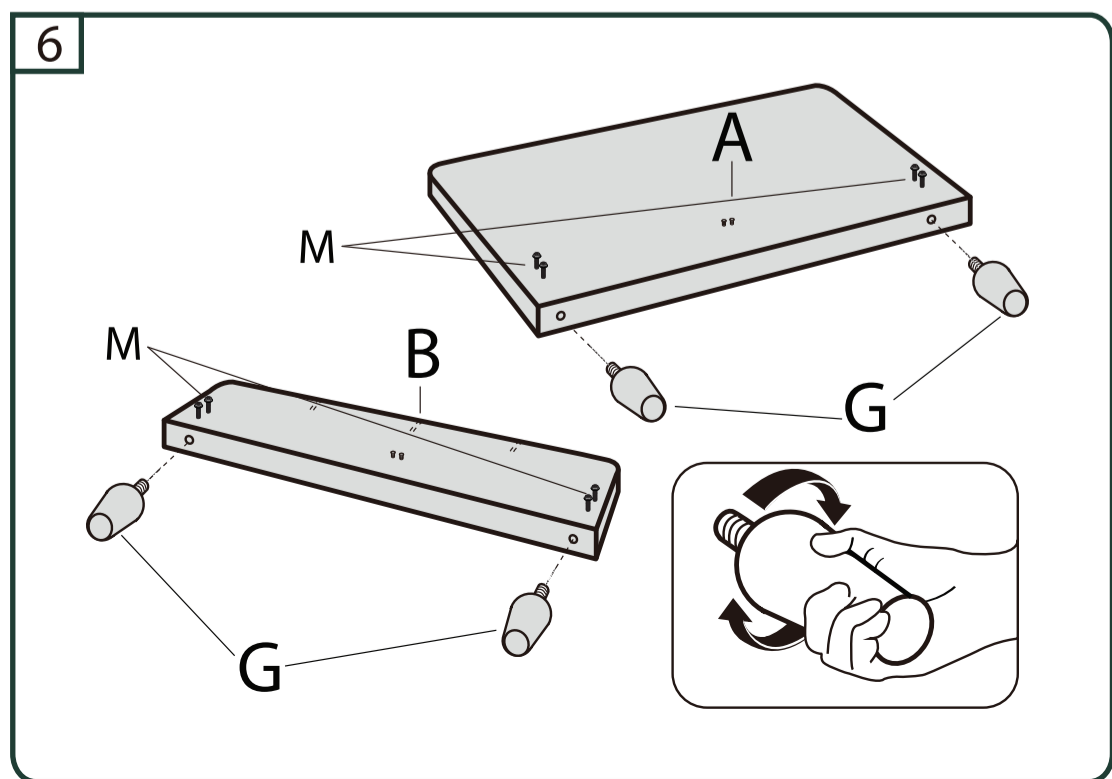
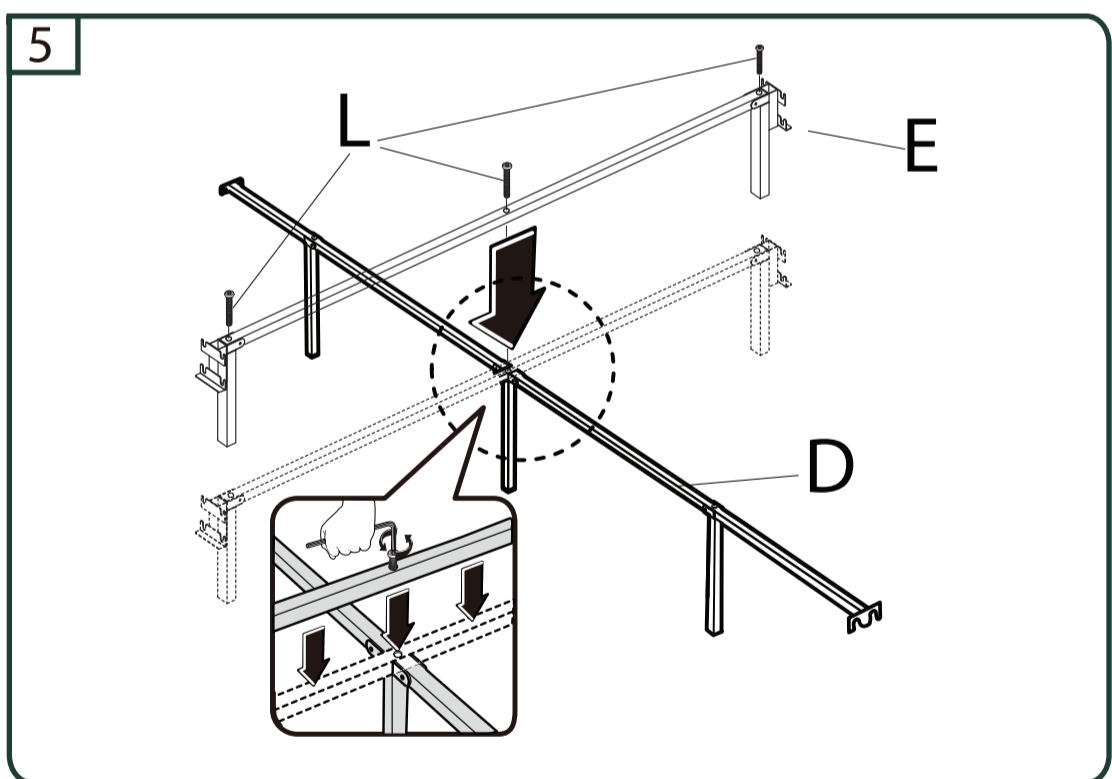
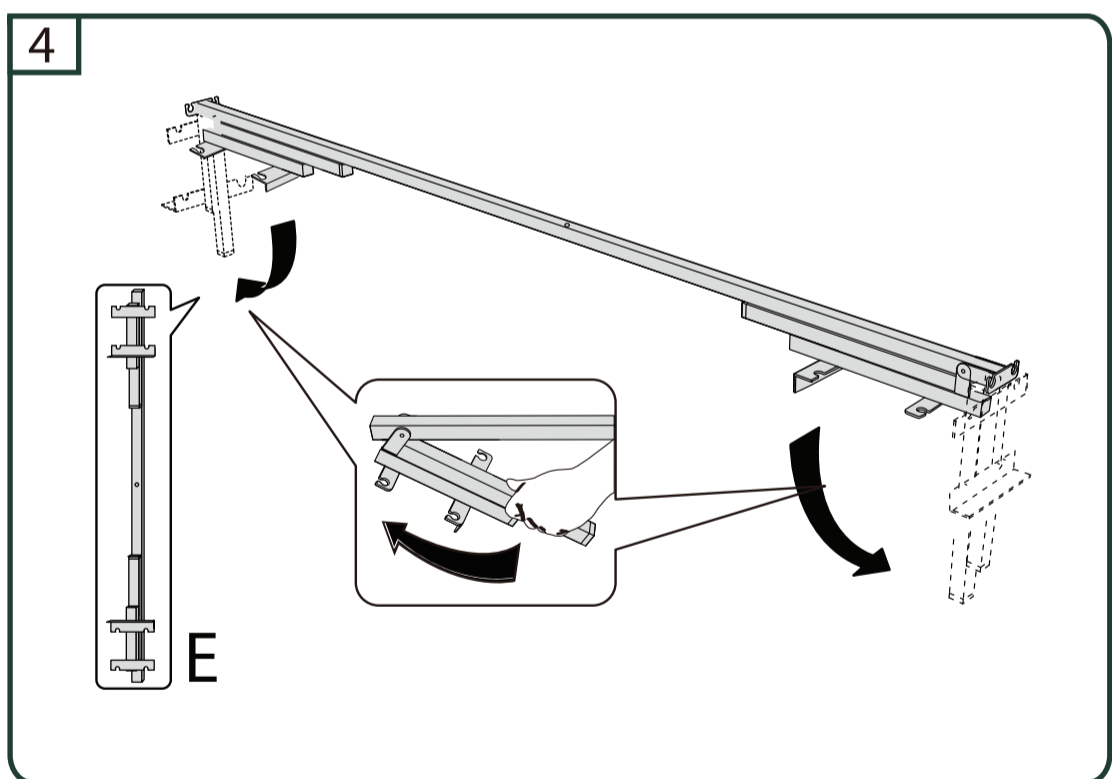
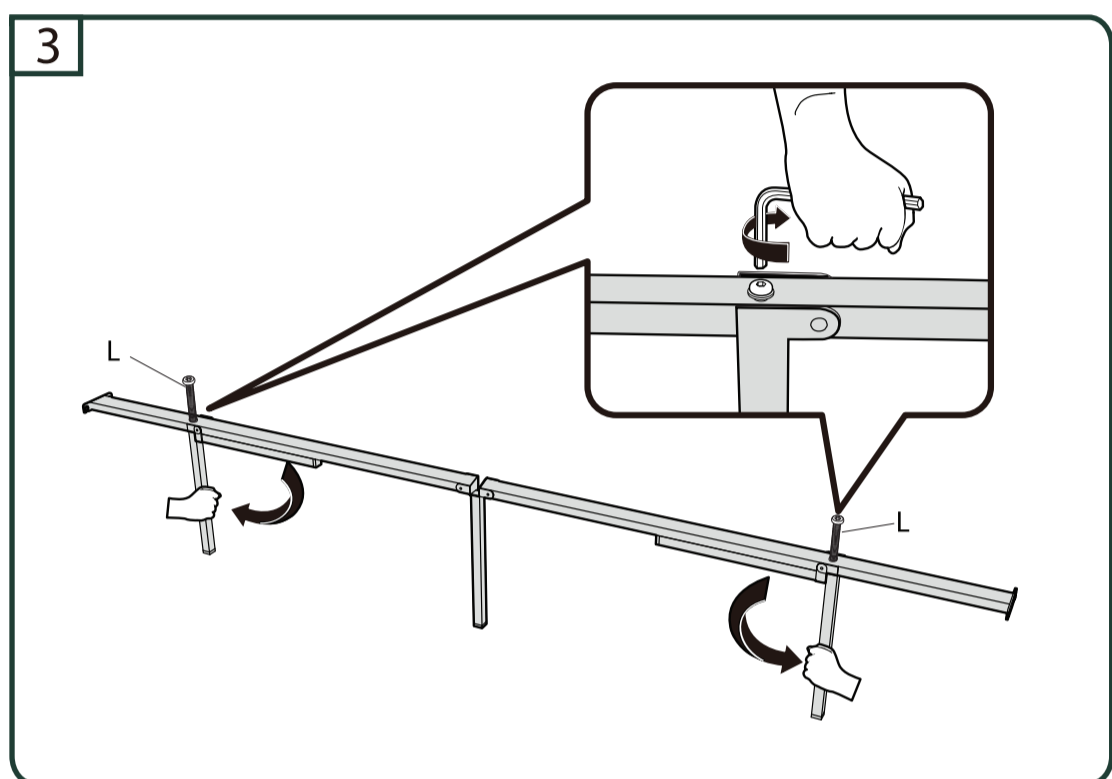
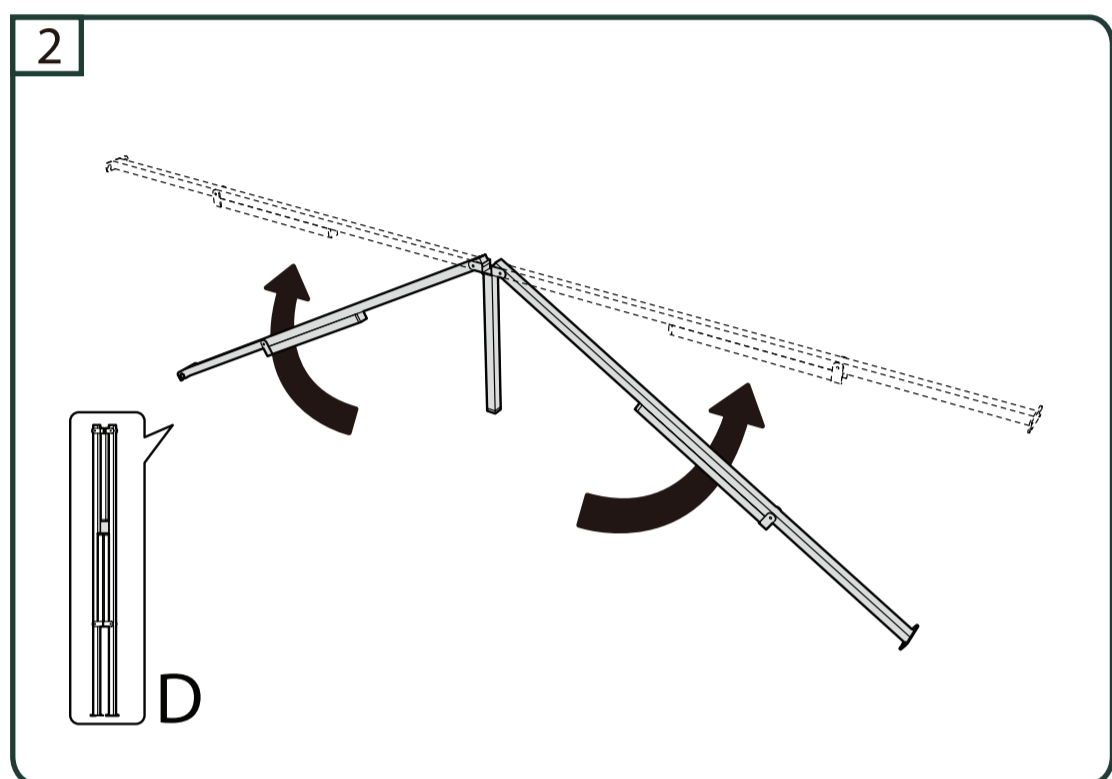
Components list:

- A: Headboard panel
- B: Footboard panel
- C: Side rail (left)
- D: Slatted base
- E: Support post
- F: Headboard support post
- G: Footboard support post
- H: L-shaped bracket (x1)
- L: Bolt (x5)

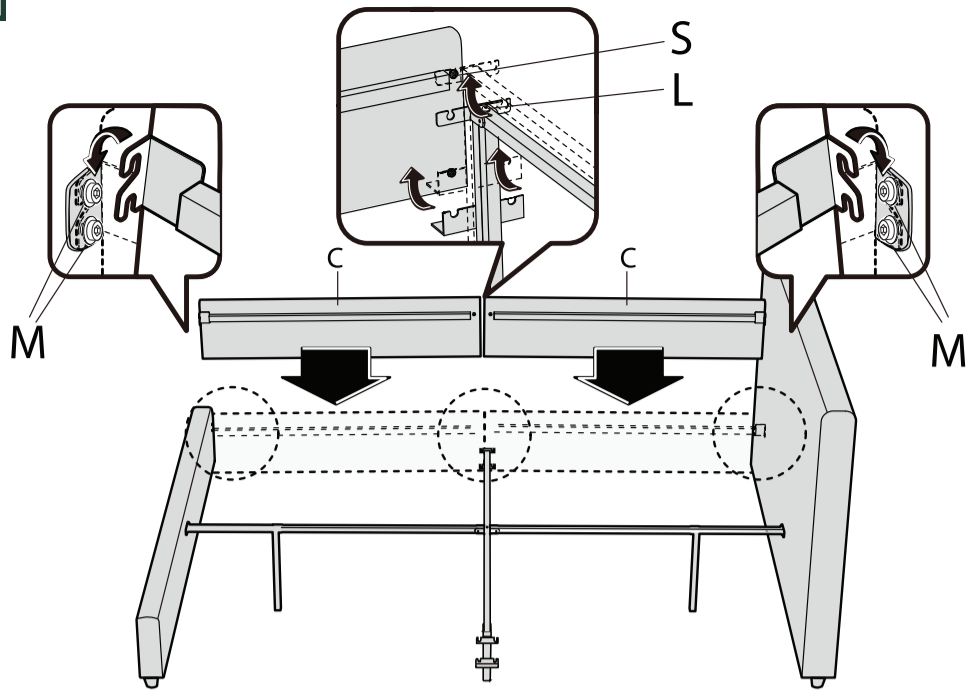
Complimentary Spare Parts:

- L: Bolt (x1)
- M: Bolt (x1)
- S: Bolt (x1)
- P: Bolt (x1)

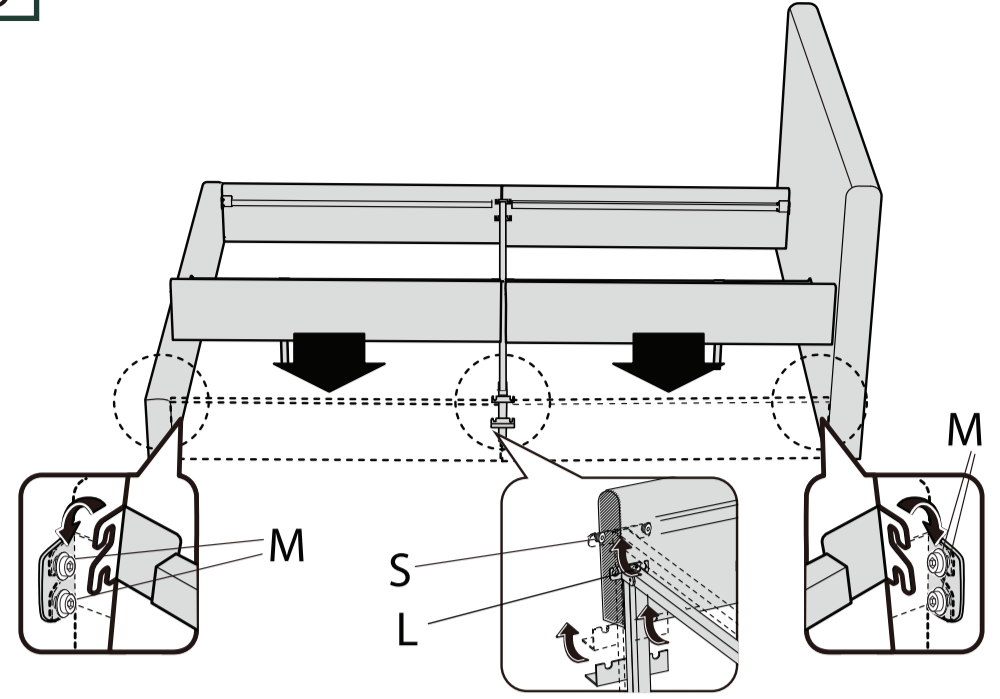
Assembly diagrams show the headboard (A) and footboard (B) being attached to the side rails (C) using bolts (L) and brackets (H). The support posts (E, F, G) are also shown being attached to the side rails.



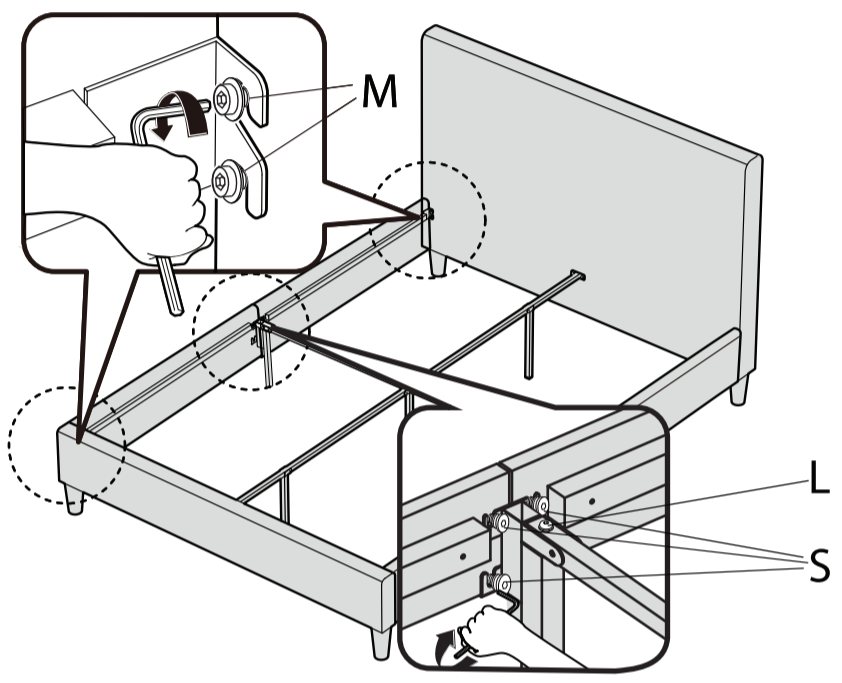
8



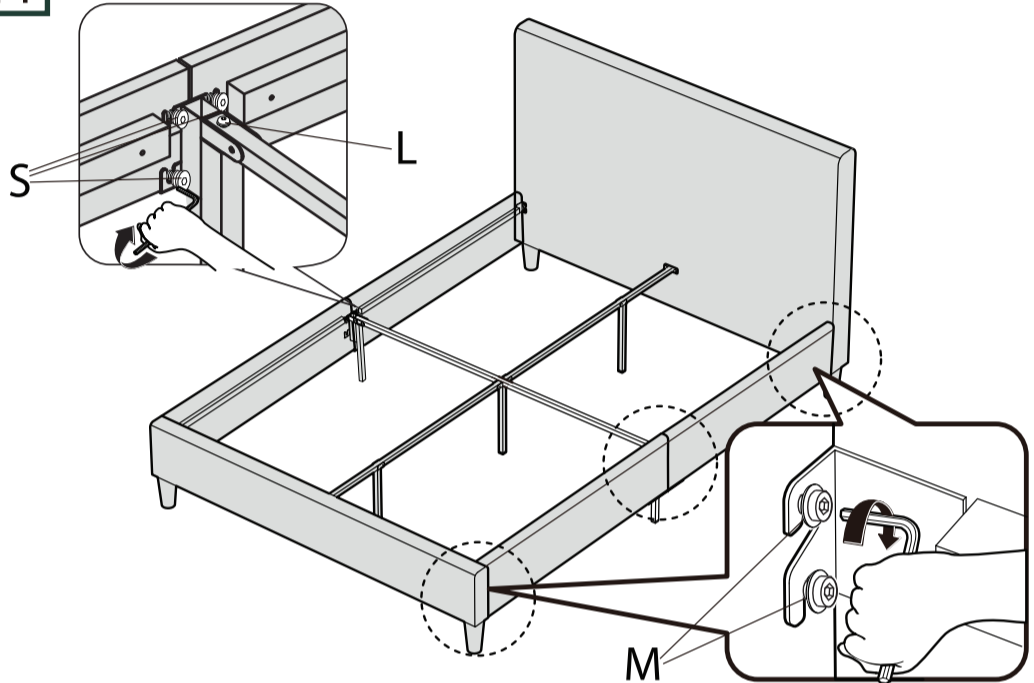
9



10

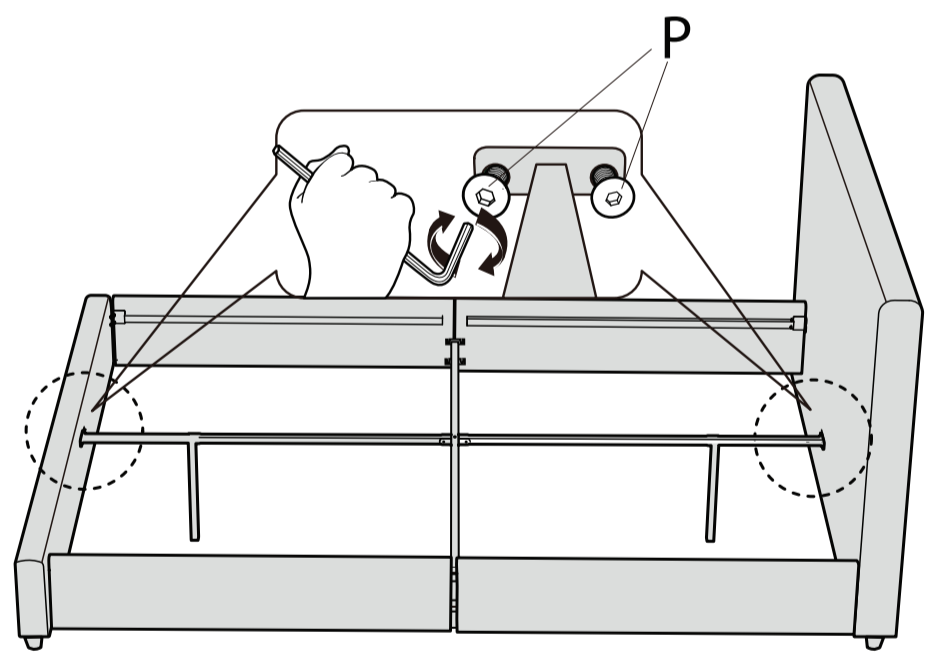


11

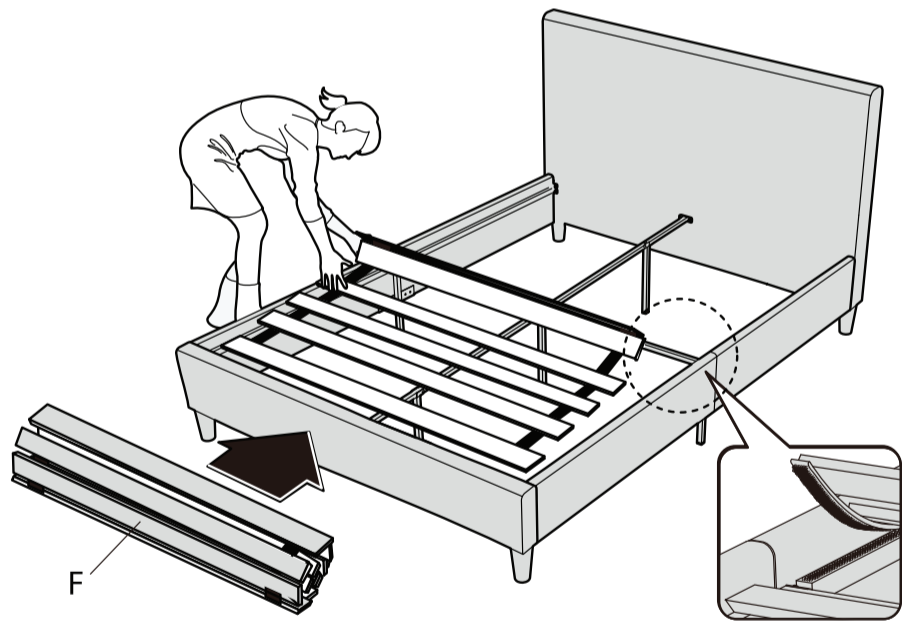


12

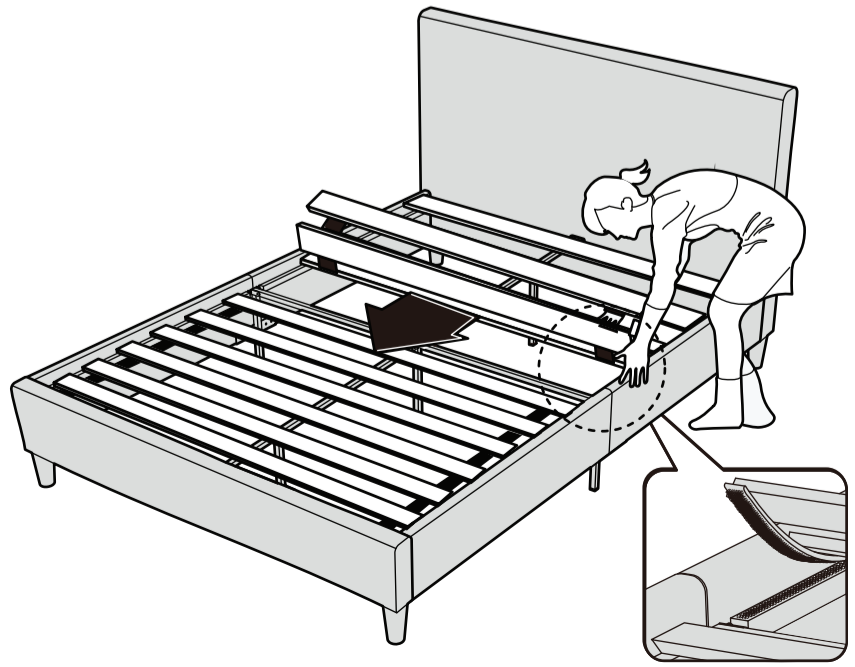
※ To be fully tighten after placing all side rails.



13



14



15

