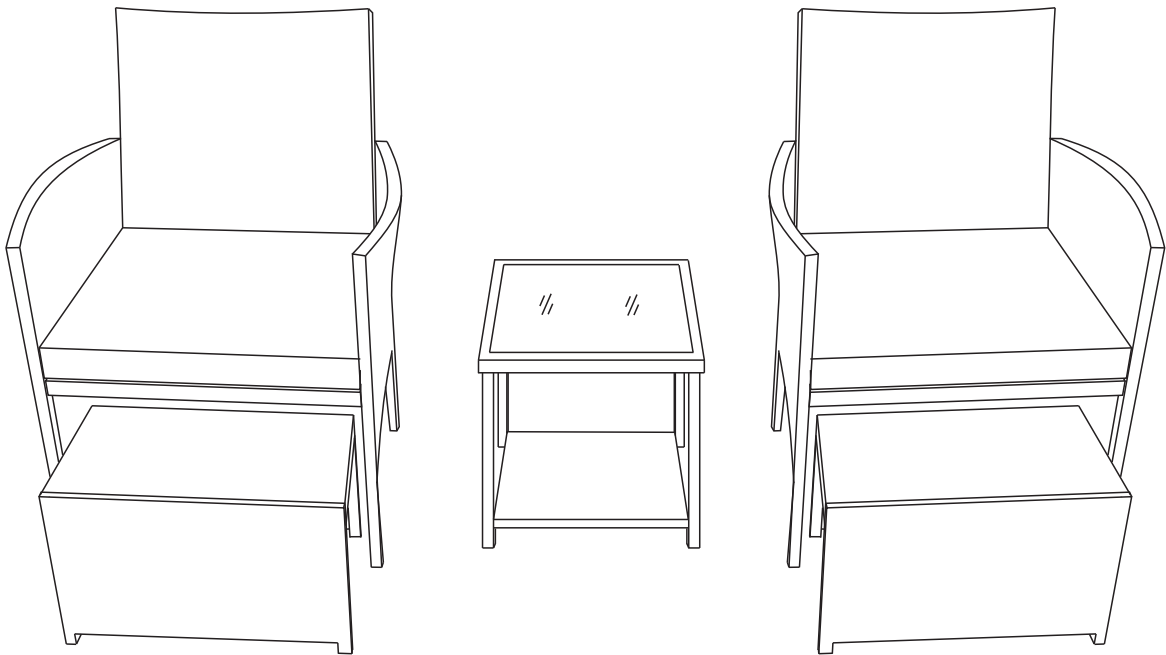


## 5 Piece Outdoor Patio Furniture Set with Table&Ottoman

---



# NOTICE



**Please keep these instructions for future reference.**

**Dear Customer**

● Thank you for your purchase. When you receive the product, please make sure that all the parts are intact. Then follow the entire installation instructions to install!

● When installing, please be careful not to tighten the screws immediately! You need to make sure that all the screws are secured to 80%, then tighten them!

A . The outer box is damaged

B . The product is damaged / bent / cracked while you open the box

C . The parts / accessories / assembly tools are missing

D . The instructions are not clear and can not be referred

E . The product has functional problems

F . Other aspects that you are not satisfied with

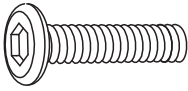
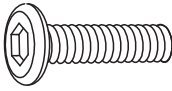
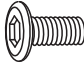


o



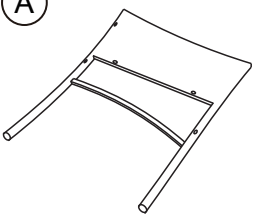
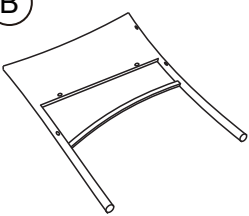
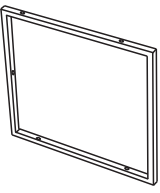
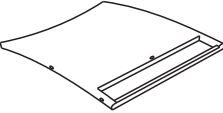

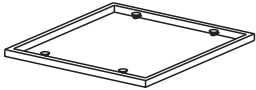
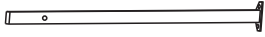
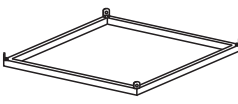

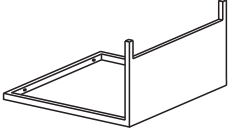
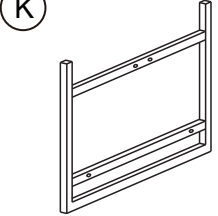

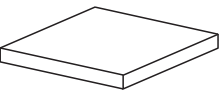
Please keep the original boxes for returns, refunds will be refused for other boxes. Check the integrity of the components and handle them gently during installation!

**The assembly area requires protective measures to avoid surface damage during the assembly process.**

# HARDWARE LIST

 <p>M6x40cm</p>	 <p>M6x35cm</p>	 <p>M6x15cm</p>		
8 pcs	14 pcs	20 pcs	42 pcs	1 pc

# PART LIST

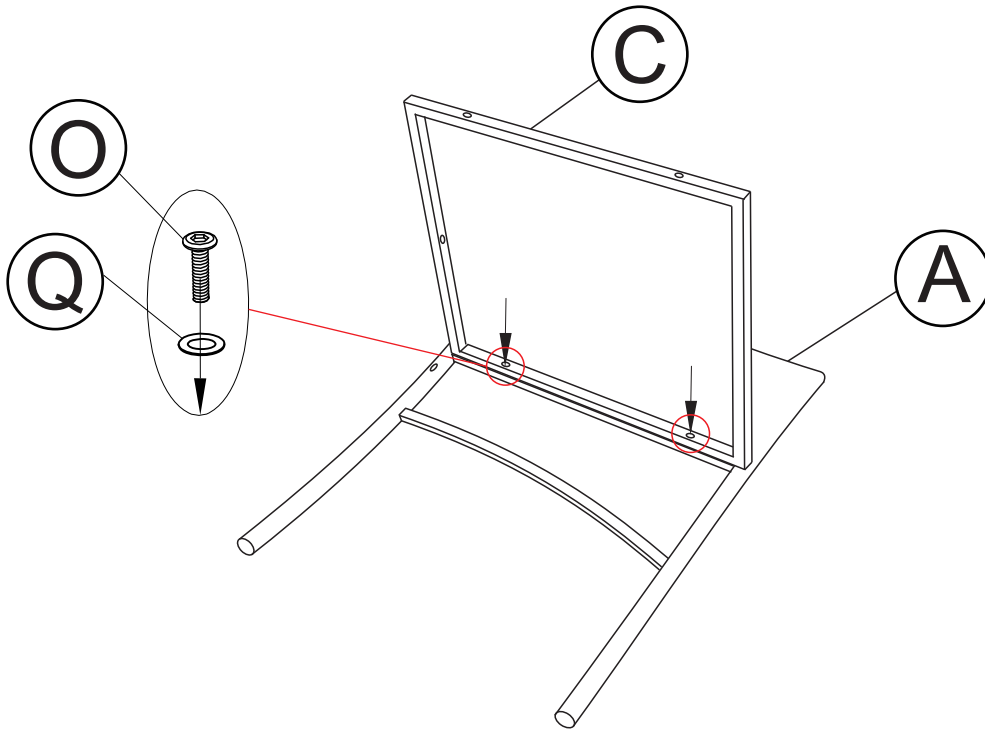
				
2 pcs	2 pcs	2 pcs	2 pcs	2 pcs
				
1 pc	4 pcs	1 pc	1 pc	2 pcs
				
2 pcs	2 pcs	2 pcs		


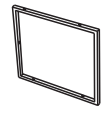
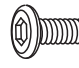


1. Please ensure that all accessories are complete before starting the installation.
2. Due to the variety of accessories, many accessories may be glued together, please check carefully

# STEP 1

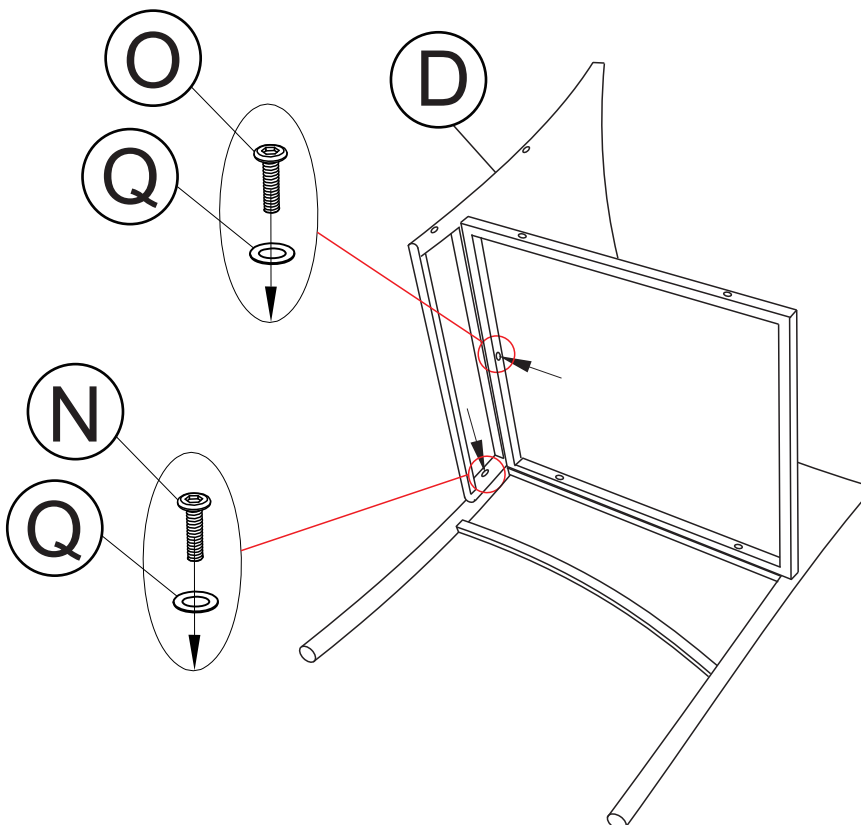
## NOTICE

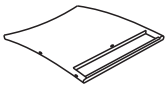
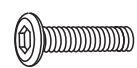



When installing, please be careful not to tighten the screws immediately!  
You need to make sure that all the screws are secured to 80%, then tighten them!



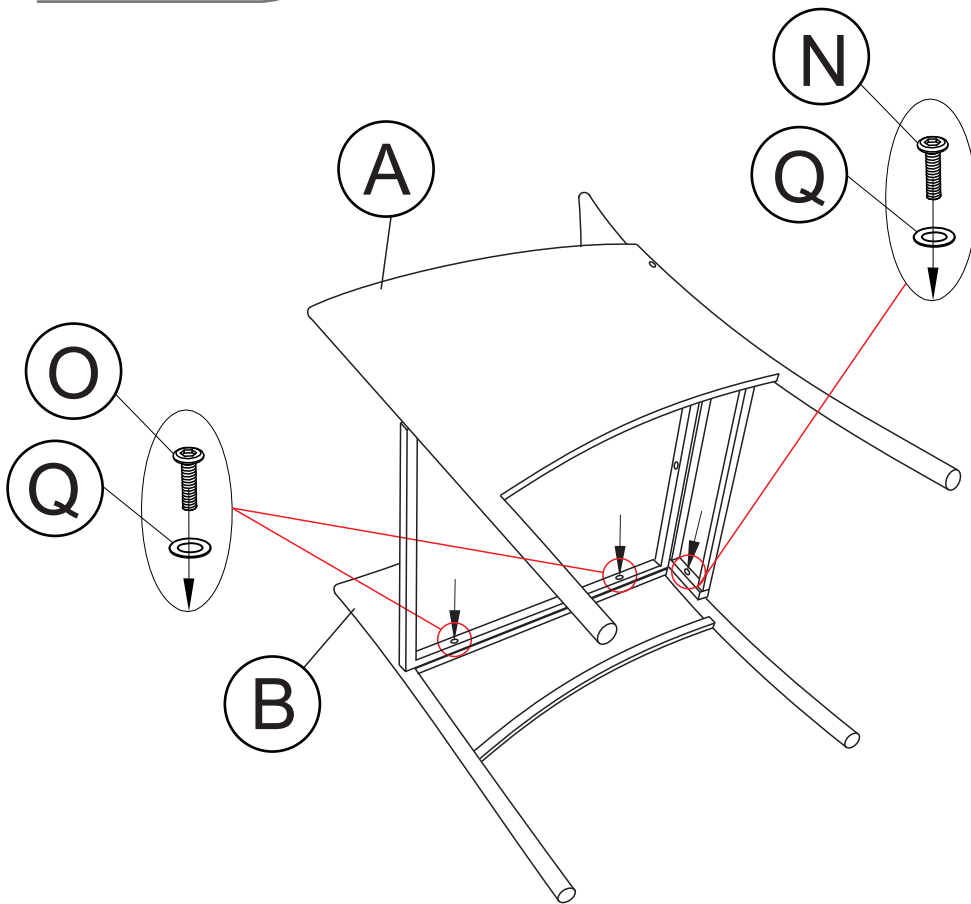
 1 pc	 1 pc
 M6x35cm 2 pcs	 2 pcs
 1 pc	


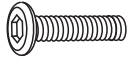
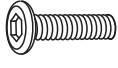


# STEP 2



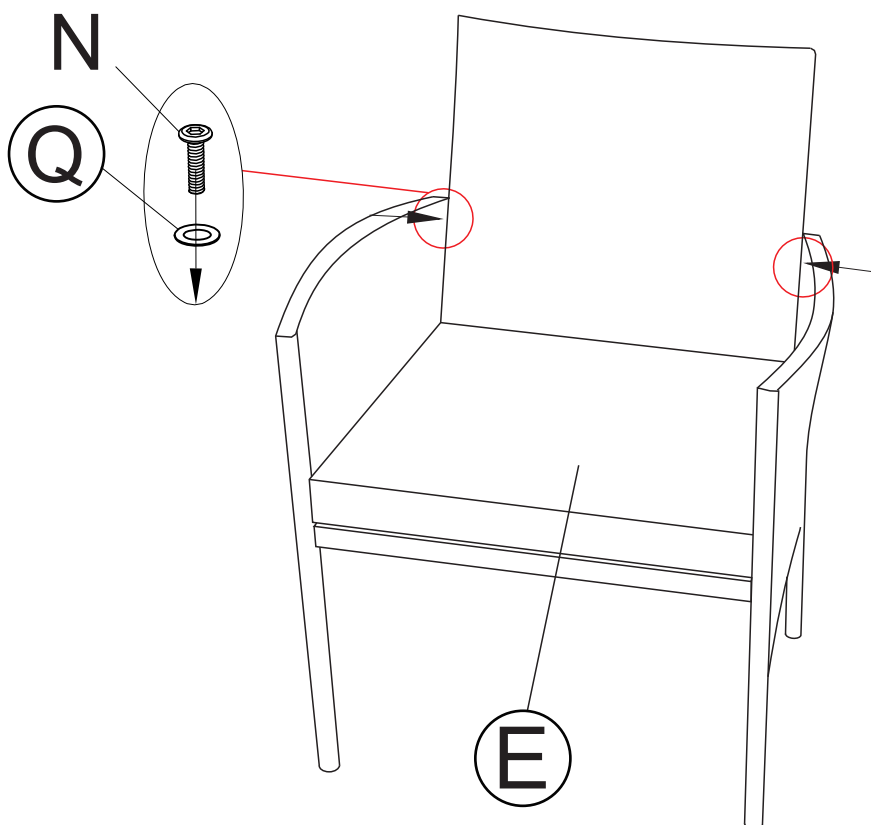
 1 pc	 M6x40cm 1 pc
 M6x35cm 1 pc	 2 pcs
 1 pc	

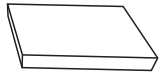
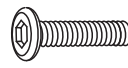


# STEP 3



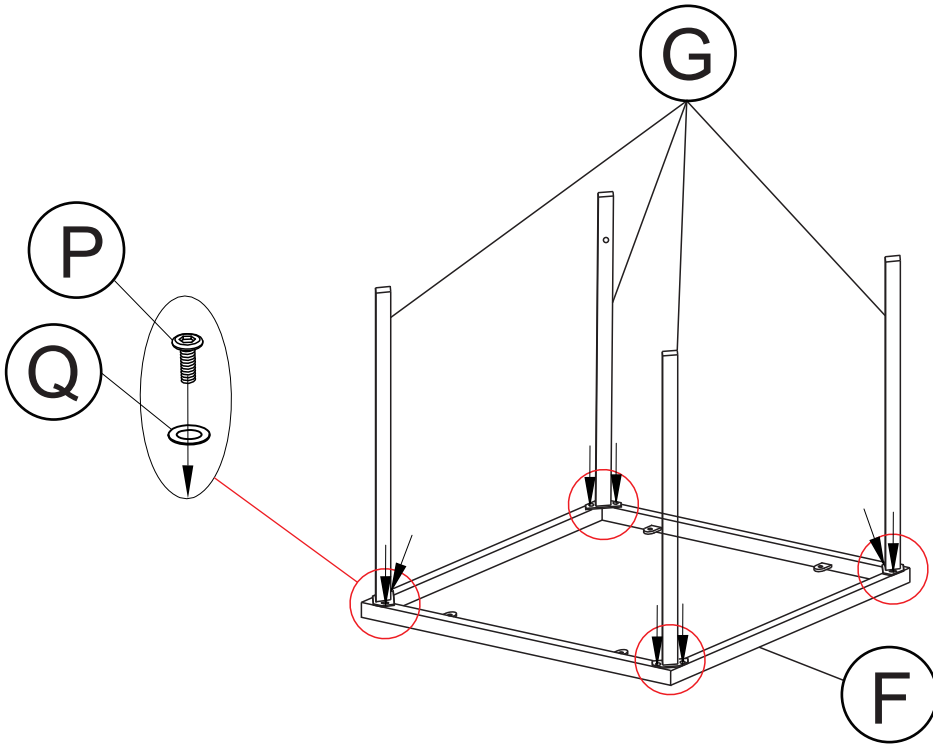
 1 pc	 M6x40cm 1 pc
 M6x35cm 2 pcs	 3 pcs
 1 pc	


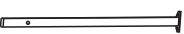



# STEP 4



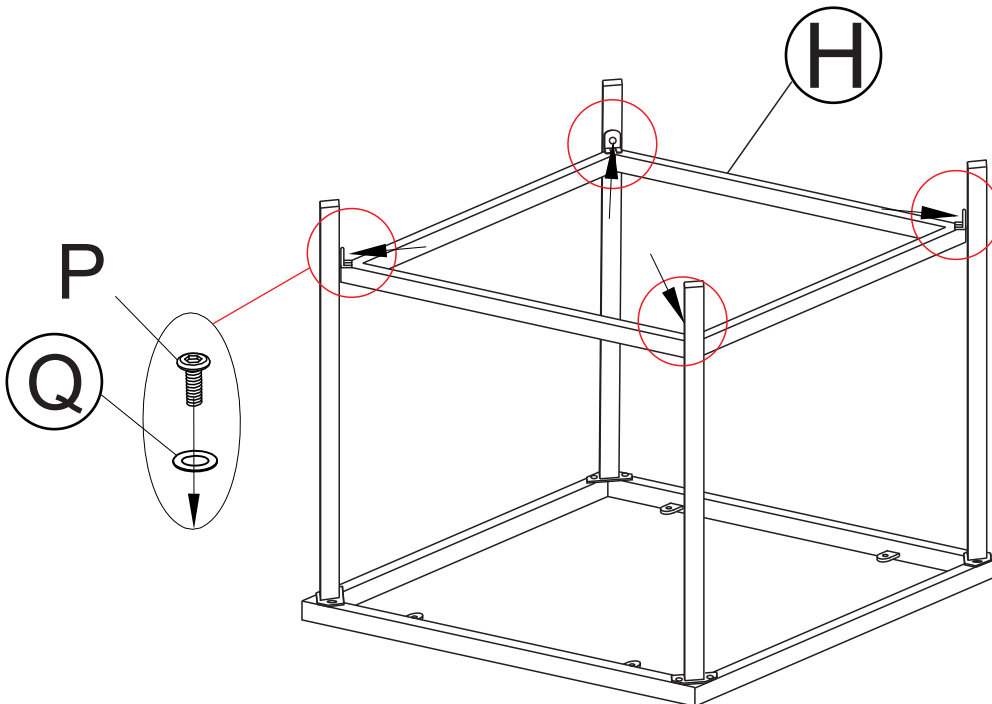
 1 pc	 M6x40cm 2 pcs
 2 pcs	 1 pc


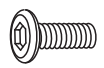


# STEP 5



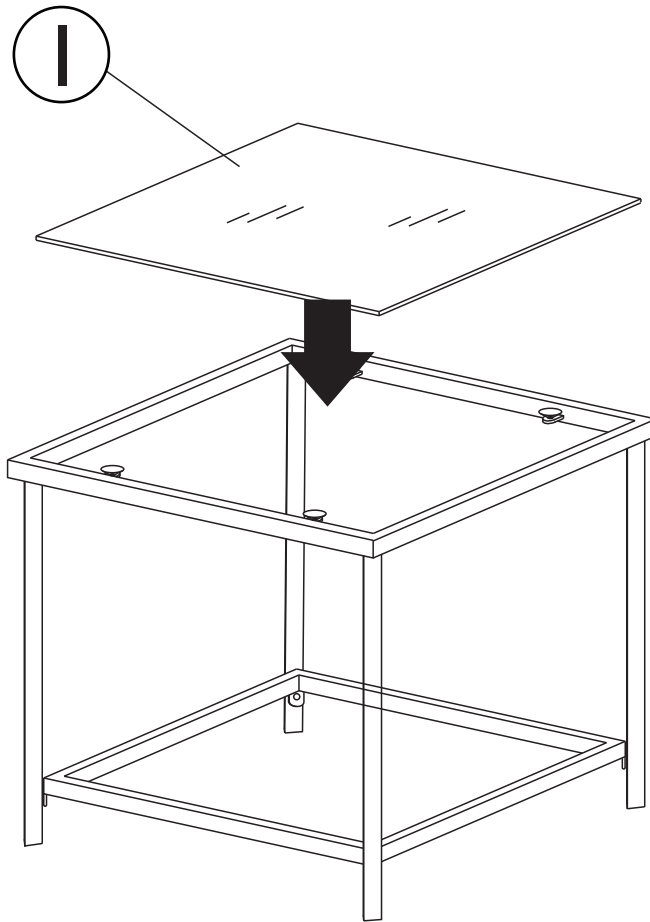
	
1 pc	4 pcs
 M6x15cm	
8 pcs	8 pcs
	
1 pc	


# STEP 6



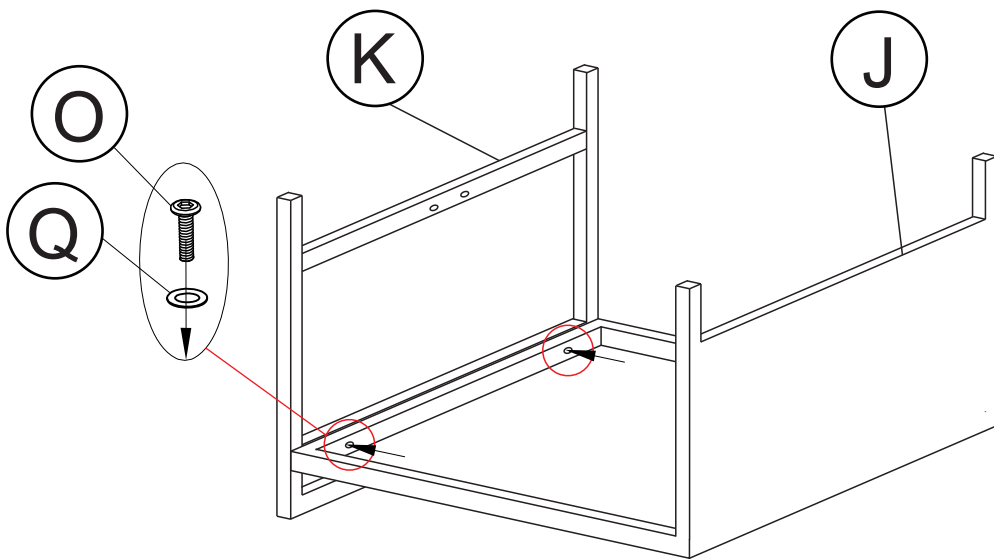
	 M6x15cm
1 pc	4 pcs
	
4 pcs	1 pc

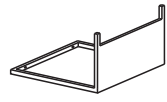
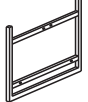



# STEP 7



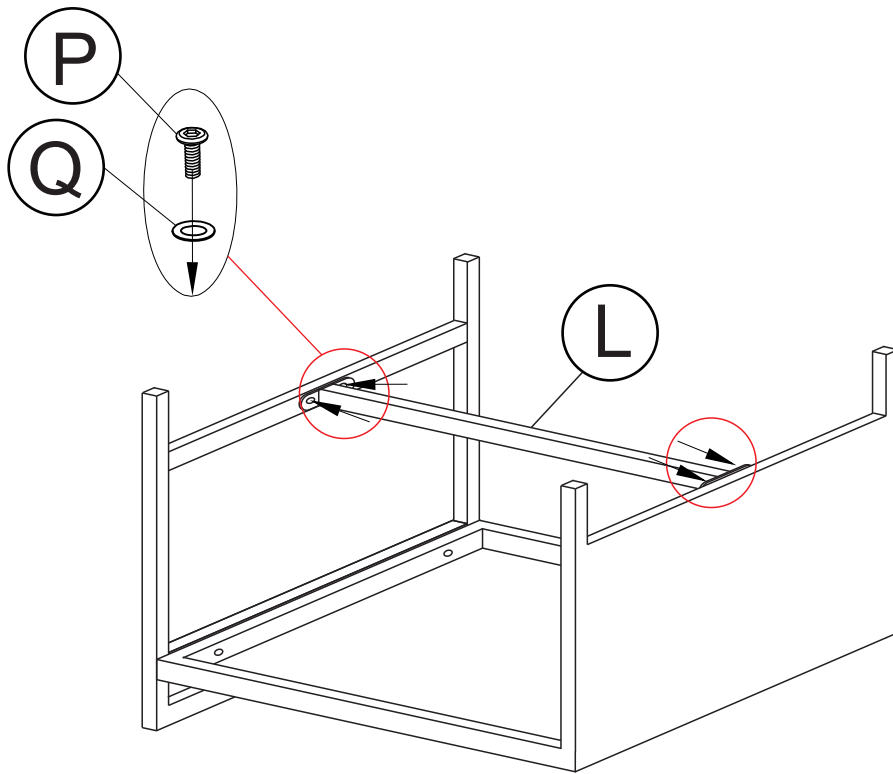
I

1 pc




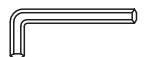
# STEP 8



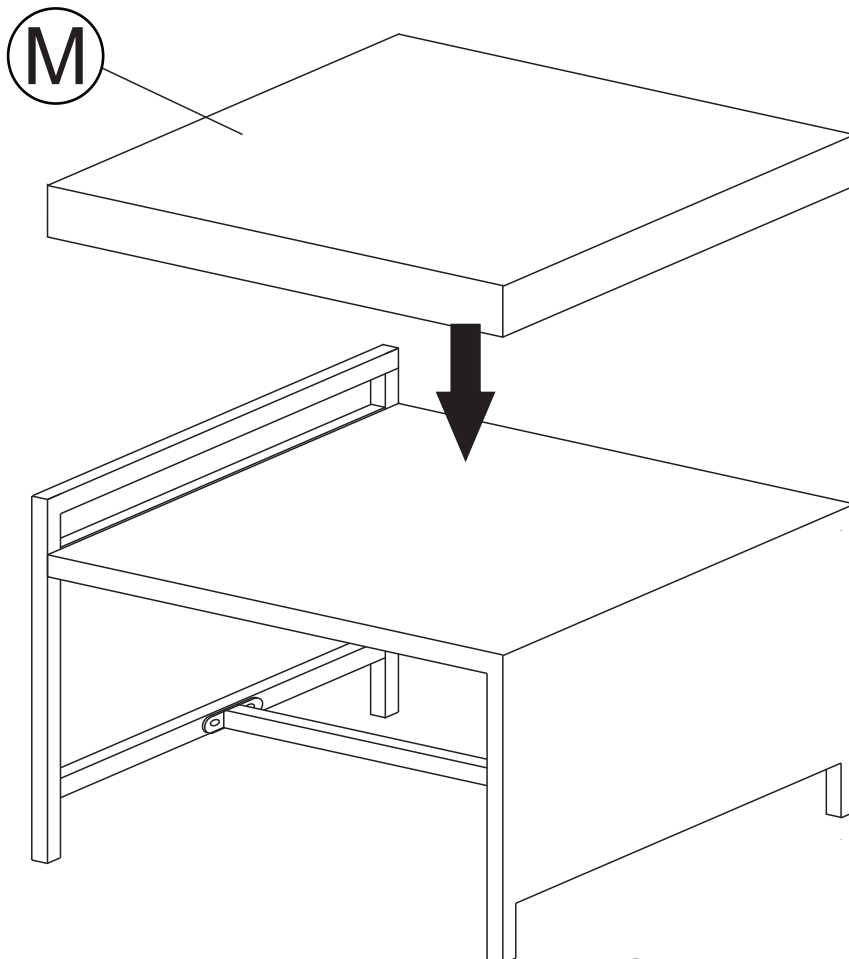
J	K
	
1 pc	1 pc
O	Q
 M6x35cm	
2 pcs	2 pcs
	R
	
	1 pc

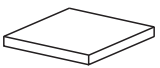
# STEP 9



 1 pc	 M6x15cm 4 pcs
 4 pcs	 1 pc

# STEP 10



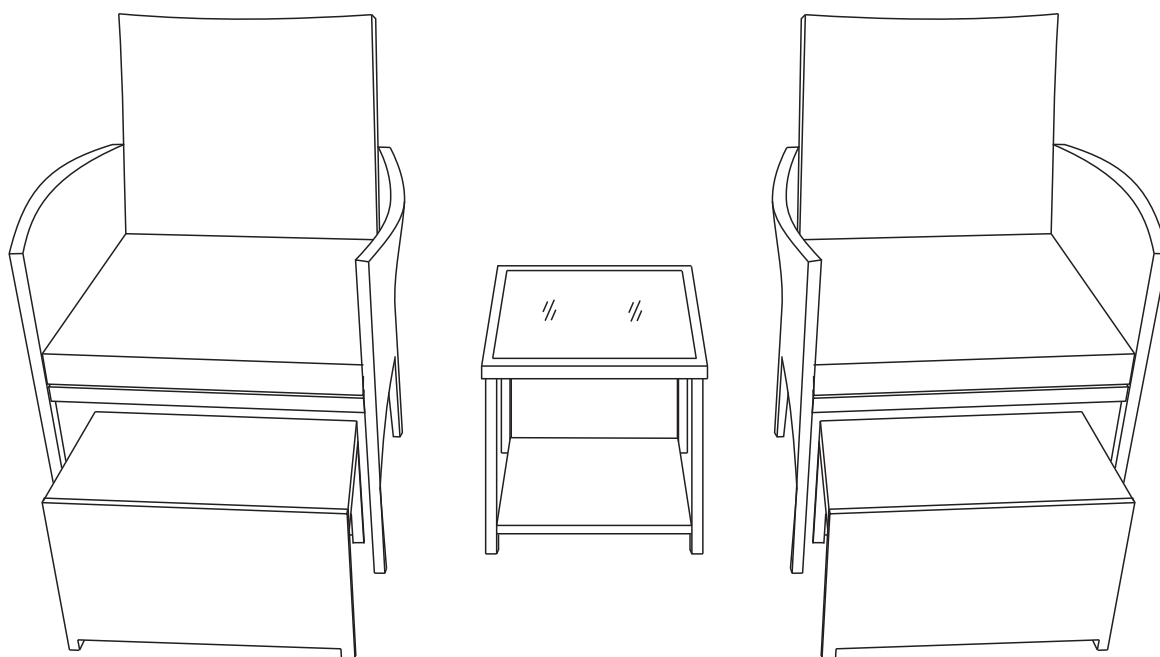
 1 pc
---

## STEP 11

---

**The installation is complete.**

**Make sure all the screws are fully tighten.**



# AFTER-SALE SERVICE CARD

If you have any suggestions for our products or find that the products have quality problems, please contact us first, our after-sales team will reply you within 24 hours, and we will do our best to give you solutions until you are satisfied.

## Guaranteed Customer Service

Your shopping experience is very important to us!  
Feel unsatisfied? **Contact us!**  
Have any questions? **Contact us!**

Wanna share how wonderful our smart products makes your home?  
Share your pictures with us.  
Any suggestions? **Contact us!**  
We gotcha back!