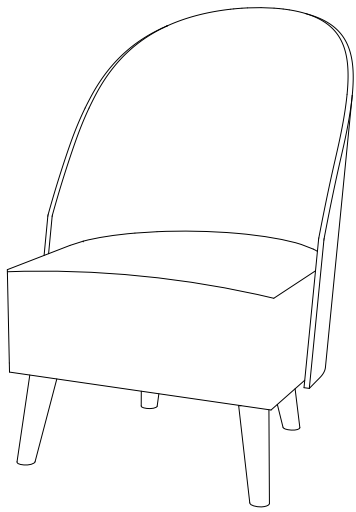
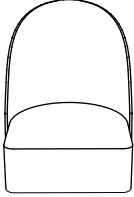





Assembly Instructions

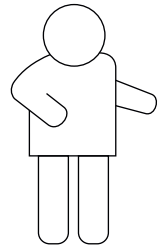


PART LIST

-  **x1**
-  **x2 B LEG**
-  **x2 A LEG**
-  **x16 SCREWS**



5 minutes



1 PERSON

