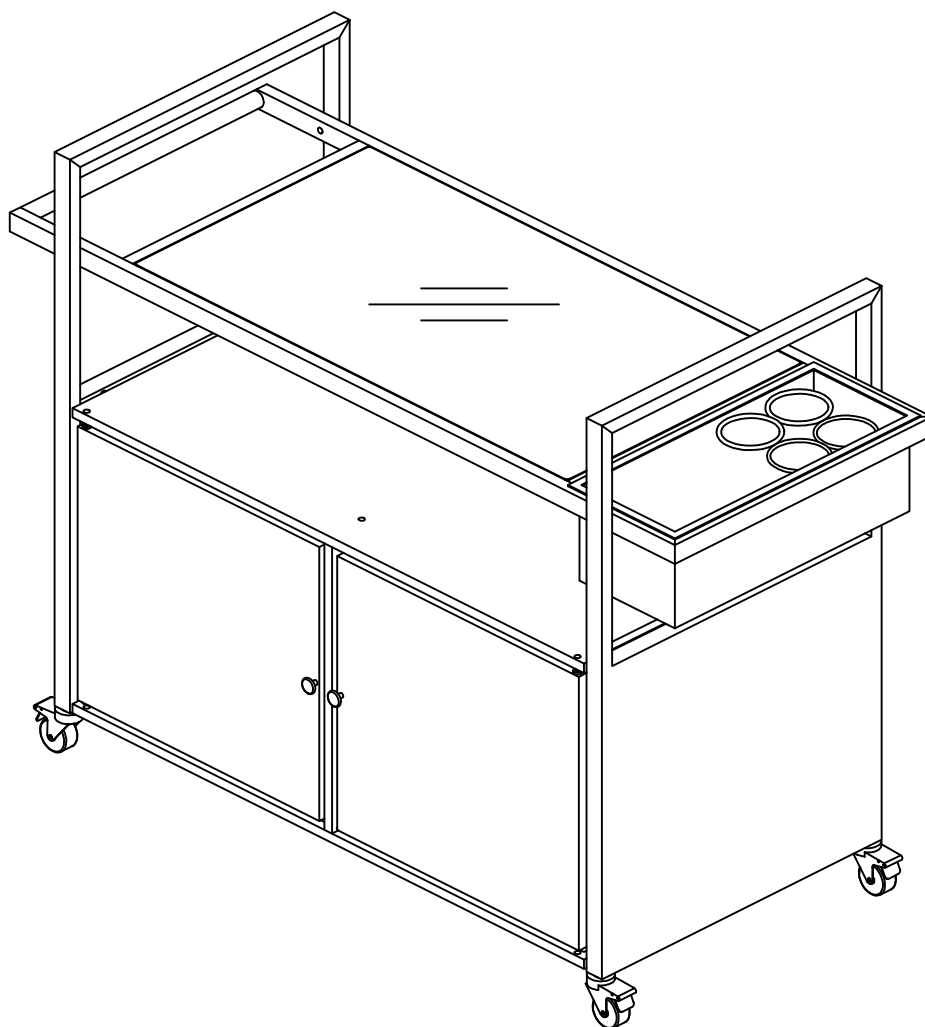


Patio Bar Table Instruction manual



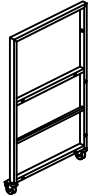
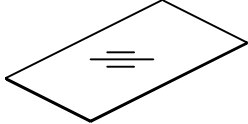
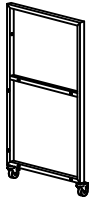
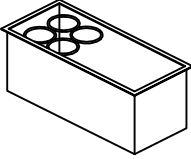
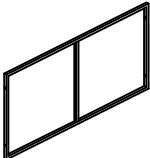
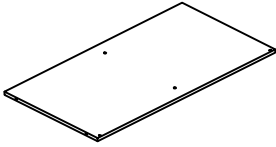
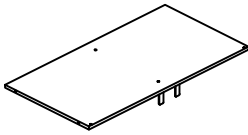
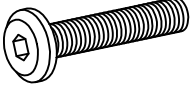
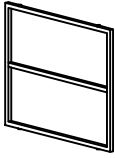
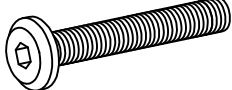
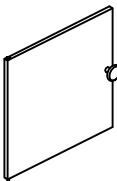
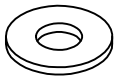
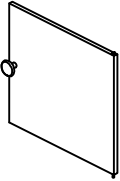
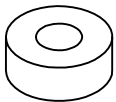
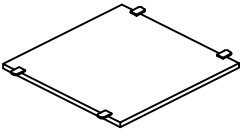

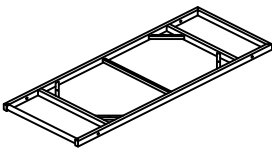
For any missing or damaging parts, hardware,
or any other problems.

WELCOME to email us at: SERVICE@RILYSON.COM

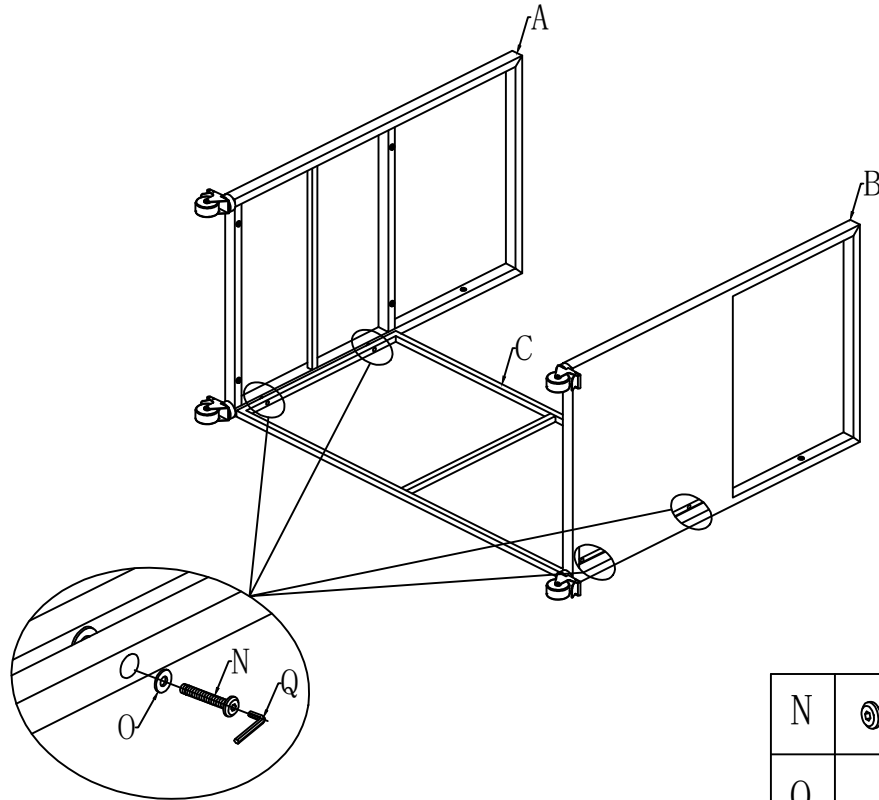
Or 1-888-733-8169 Toll free



Monday-Friday 9AM - 5PM EST

Don't fully tighten all the bolts till the very end!

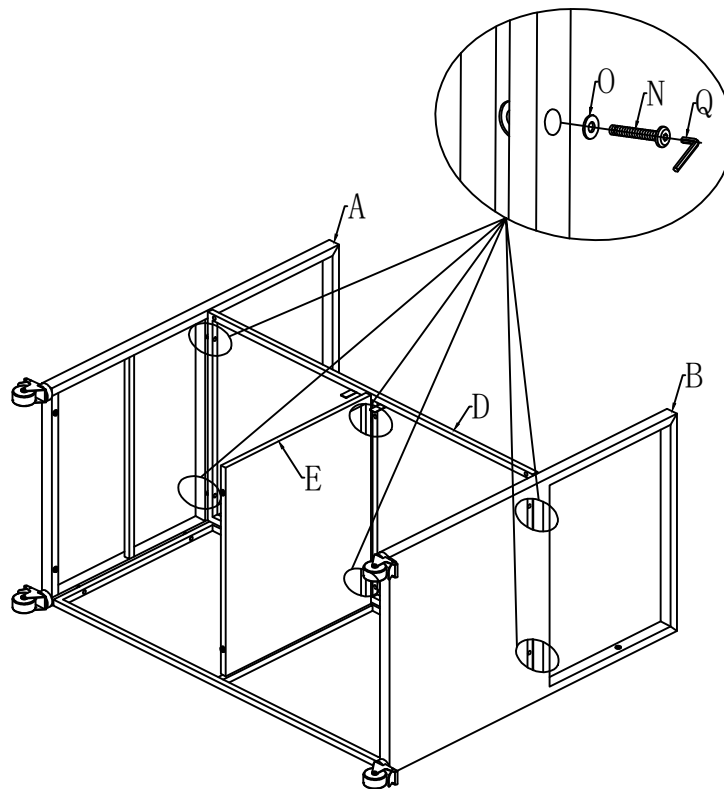
A		1	J		1
B		1	K		1
C		1	L		1
D		1	M	 M6*35mm	4
E		1	N	 M6*40mm	18
F		1	O		22
G		1	P		2
H		1	Q		1
I		1			



- ① Attach (C) to seat (A) (B) with 4pcs bolts N and 4pcs washers O, using Allen wrench Q



N	 M6*40mm	4
O		4

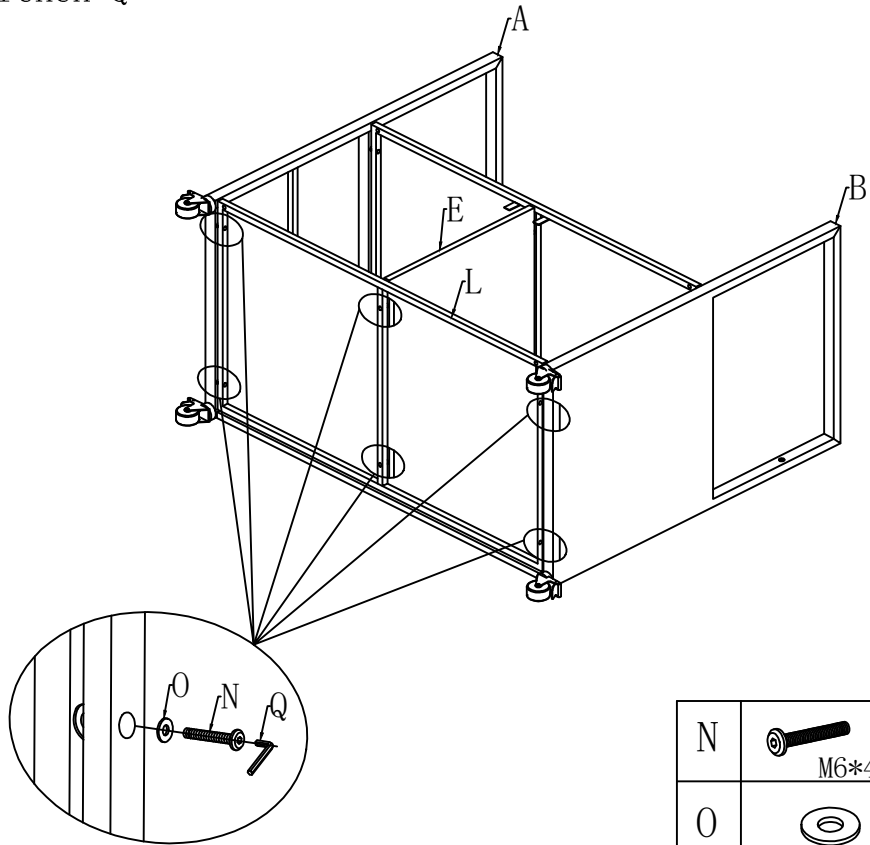
- ② Attach (D) to seat (A) (B) (E) with 6pcs bolts N and 6pcs washers O, using Allen wrench Q





N	 M6*40mm	6
O		6

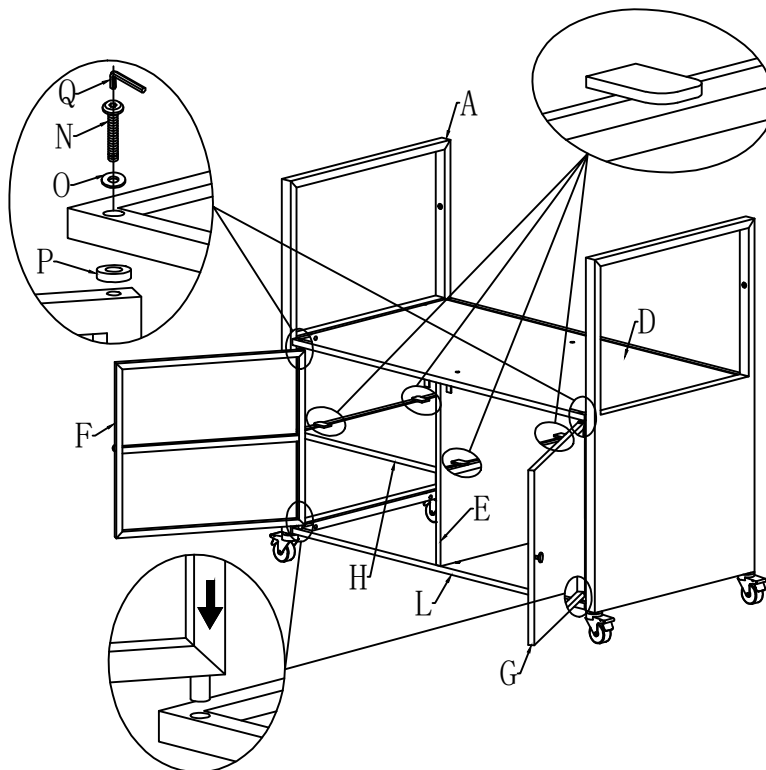
Note: Do not fully tighten any bolts until chair assembly is complete. Failure to follow these instructions may cause the bolt holes to be misaligned during assembly




- ③ Attach (L) to seat (A) (B) (E) with 6pcs bolts N and 6pcs washers O, using Allen wrench Q



N	 M6*40mm	6
O		6

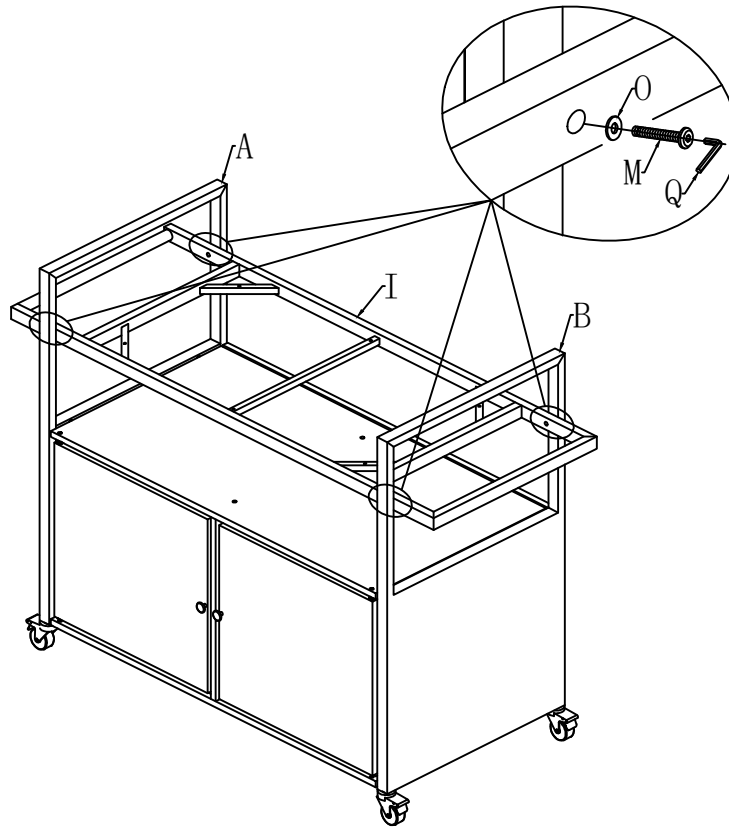
- ④ The (F) (G) put it into the hole (L). Attach (D) to (F) (G) with 2pcs bolts N . 2pcs washers O and 2pcs plastic gaskets P, using Allen wrench Q. Put in (H)





N	 M6*40mm	2
O		2
P		2

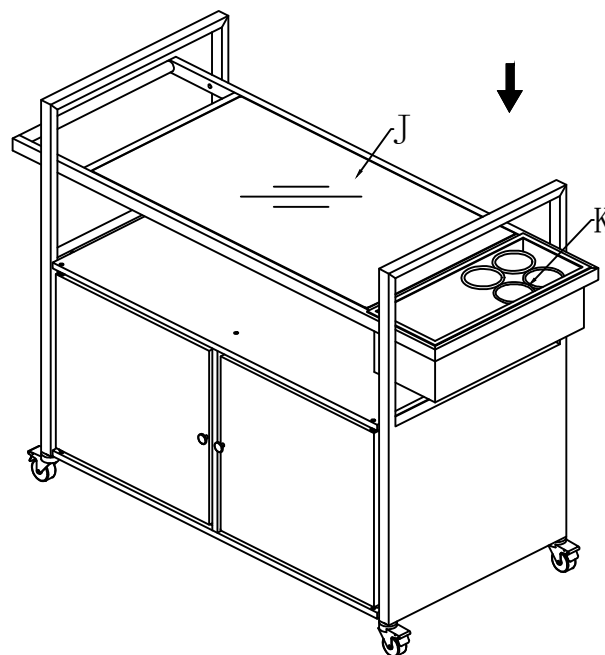
Note: Do not fully tighten any bolts until chair assembly is complete. Failure to follow these instructions may cause the bolt holes to be misaligned during assembly

- ⑤ Attach (I) to seat (A) (B) with 4pcs bolts M and 4pcs washers O, using Allen wrench Q



M	 M6*35mm	4
O		4

- ⑥ Put the (J) (K)



Note: Do not fully tighten any bolts until chair assembly is complete. Failure to follow these instructions may cause the bolt holes to be misaligned during assembly