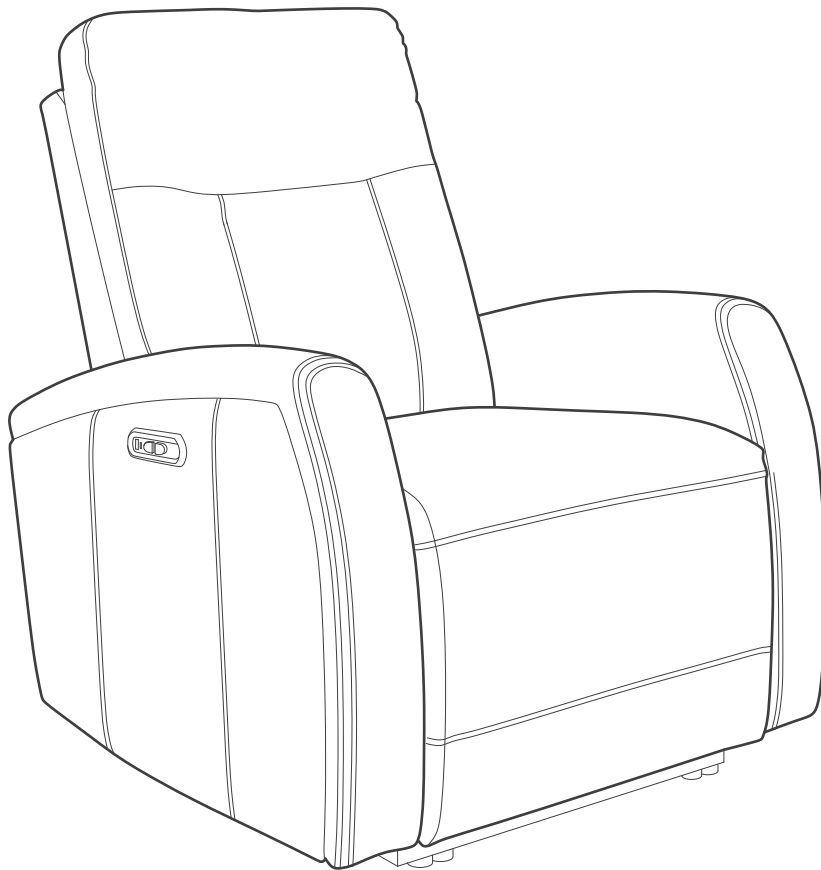


Power Recliner **Assembly Manual**

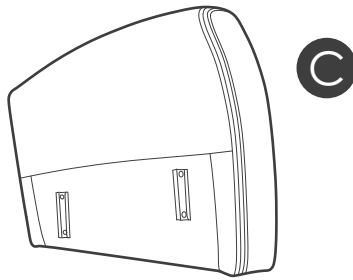
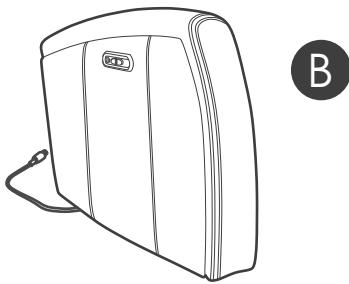
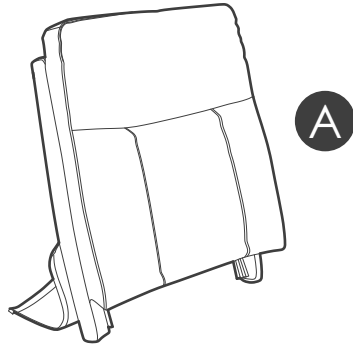


▲ CAUTION

THIS ASSEMBLY MANUAL CONTAINS IMPORTANT SAFETY INFORMATION.
PLEASE READ AND KEEP FOR FUTURE REFERENCE.

COMPONENTS

BOX A



- A Backrest**
1X
- B Left Armrest**
1X
- C Right Armrest**
1X

- D Seat Base**
1X

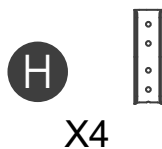
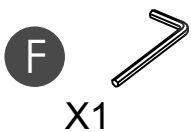
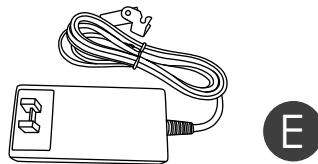
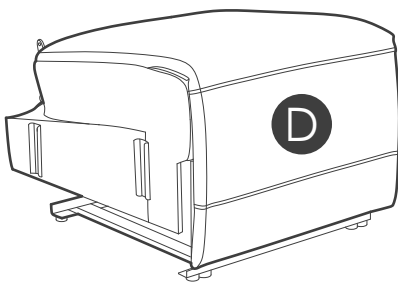
- E Adapter**
1X

- F Hex key**
1X

- G Bolt**
8X

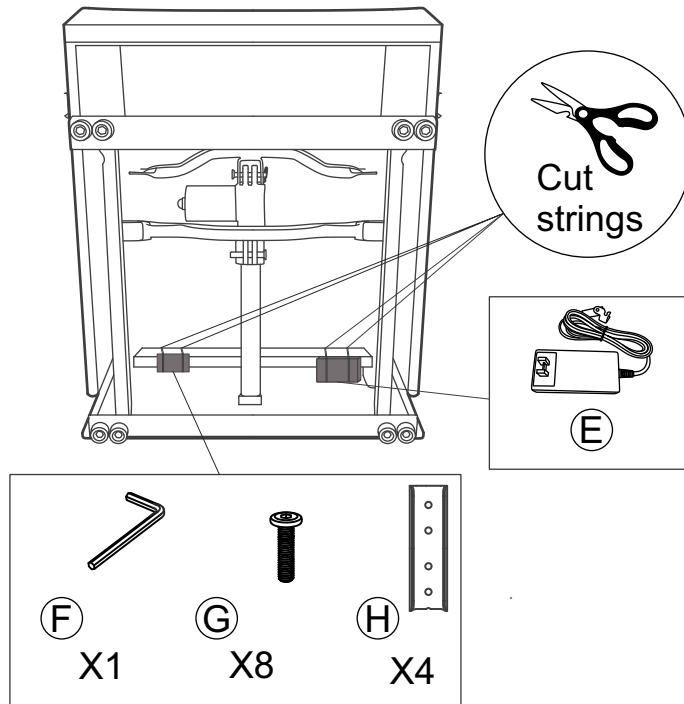
- H Metal Plate**
4X

BOX B



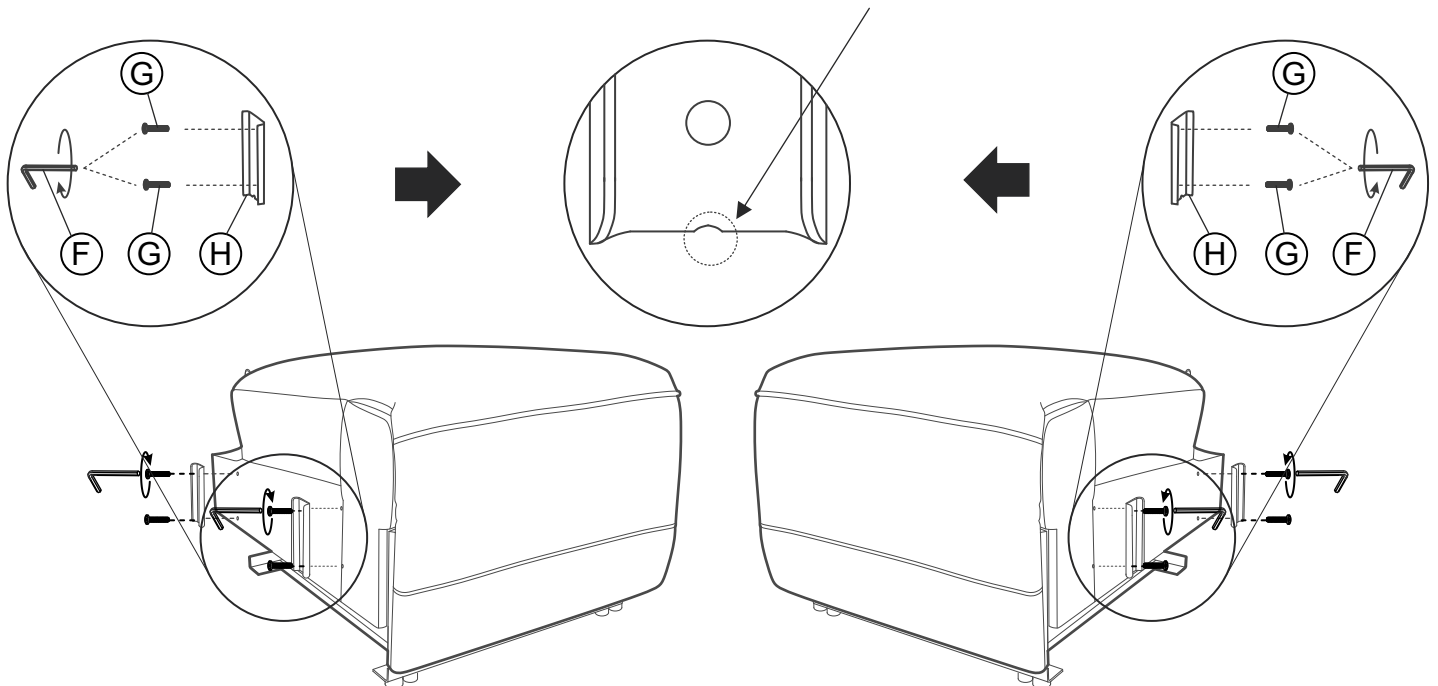
- 1 Locate the Adapter Box and hardware pack from the bottom of the Seat Base (D).

BOTTOM VIEW

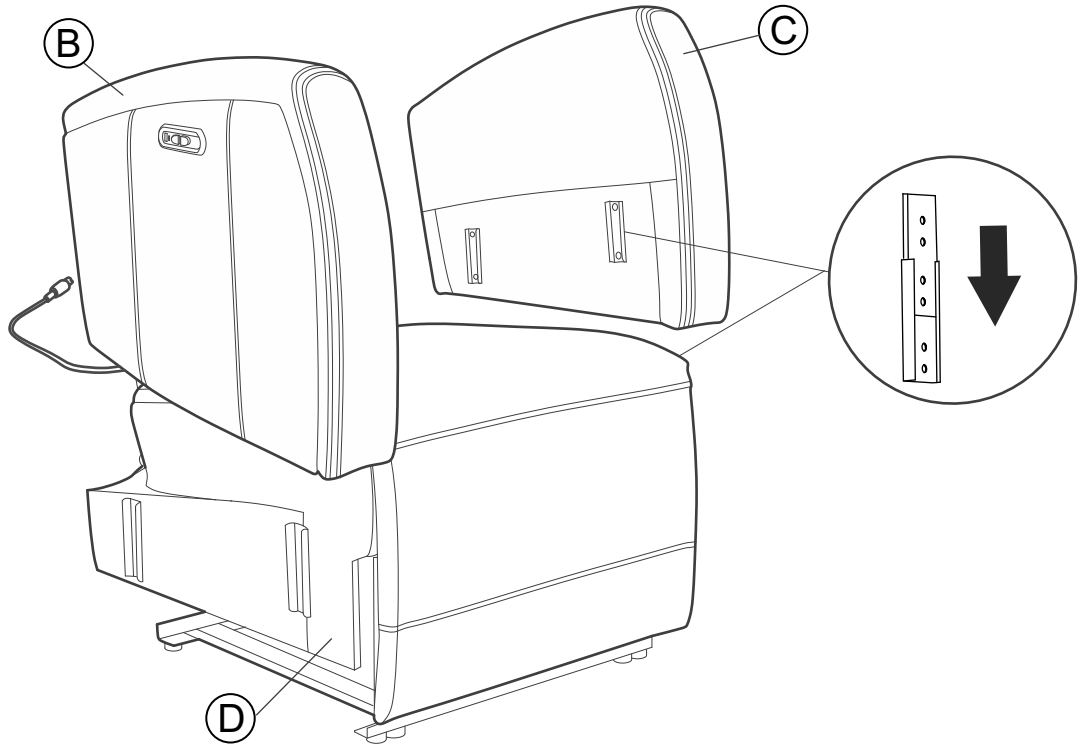


- 2 Attach the Metal Plate (H) to the left and right side of Seat Base (D) .

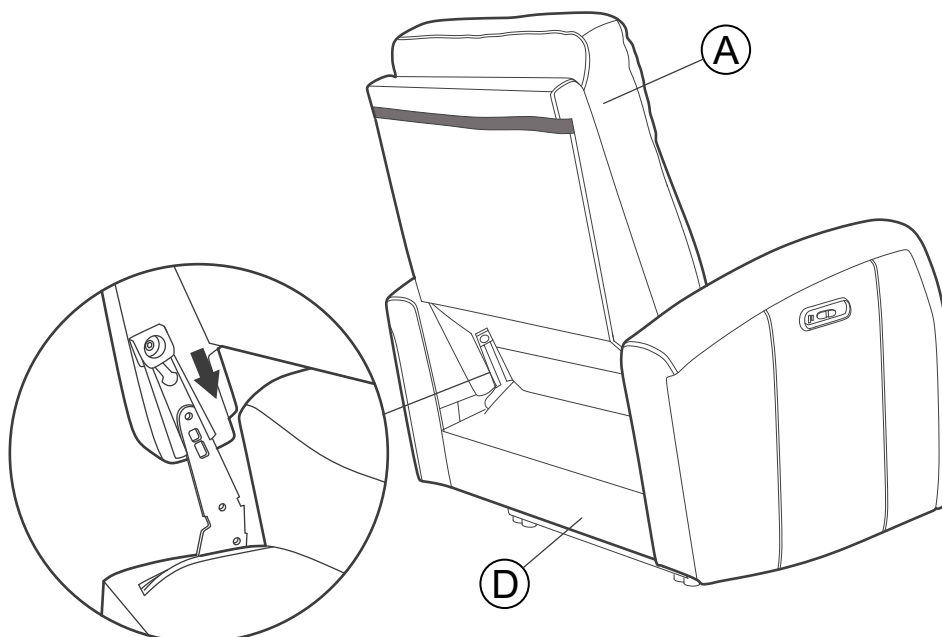
Note: Install the metal plate with the notched end facing downwards



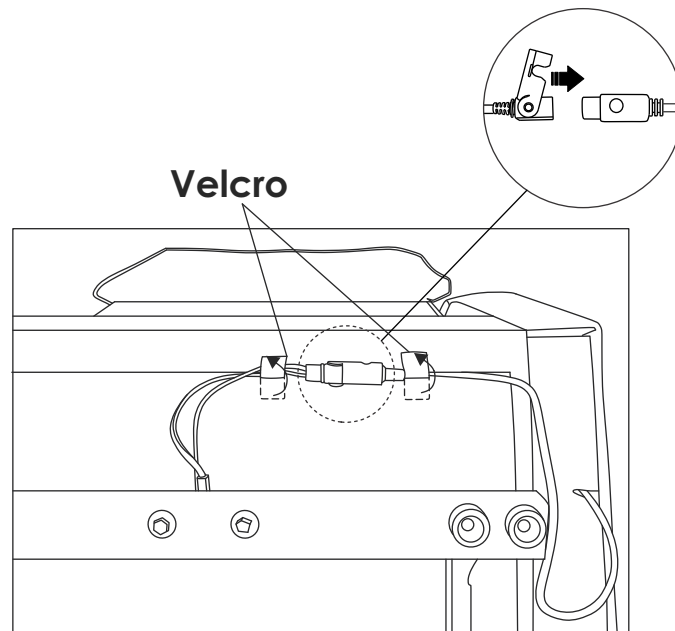
- 3 Attach the Left Armrest (B) and the Right Armrest (C) to the Seat Base (D).



- 4 Slide the back into the metallic quick connectors of the base. Push down the back firmly until each side is locked into place and an audible "click" is heard.

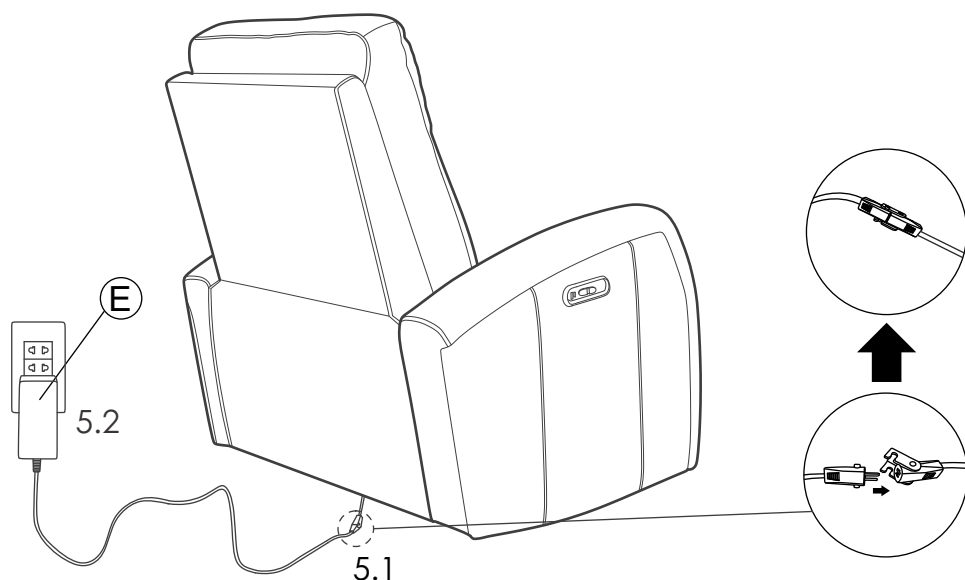


- 5** Connect the Power Cable of the Left Armrest (B) to the Seat Base (D). Fix the wire with Velcro.

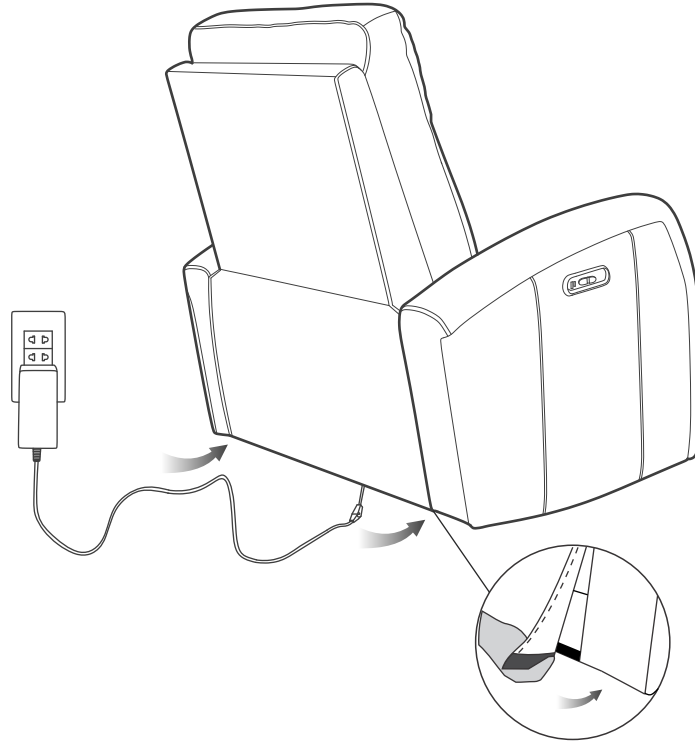


BOTTOM VIEW

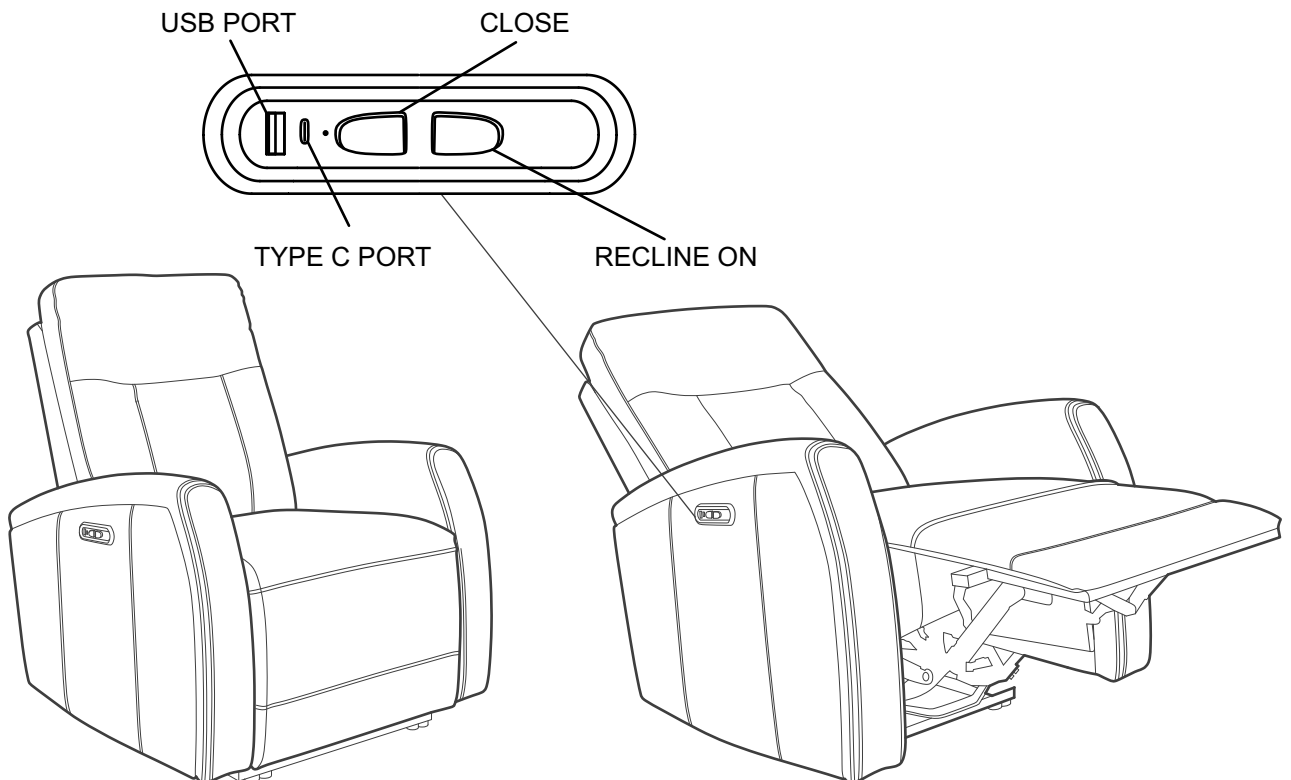
- 6** Power connections.
- 6.1 Connect one end of the Adapter (E) into connection jack located at the bottom of the Seat Base (D).
- 6.2 Plug the other end of the Adapter (E) into the power outlet.
- Note: After all the connections are made, the green LED of the adapter will be lit up.



- 7 Attach the back cover to the bottom of the Seat base (D) with Velcro.



- 8 Assembly completed, it's ready to use.



Design Exquisite Furniture For Your Home

PRODUCT WARRANTY

- 1-year limited on cover against splitting, peeling, and/or tearing.
- 1-year limited on internal and external frame structure.
- 1-year limited on cushioning material, seat springs and mechanism.

Contact us:

We make all efforts to guarantee that the products you receive are in excellent condition. If there are any parts missing or damaged, the Customer Service Team will be happy to provide free replacements for you. We have professional warehouses where the current inventory of parts is enough so that they will arrive in your hands as fast as possible.

Assistance with assembly or product details is available; don't hesitate to get in touch with us to get priority service.