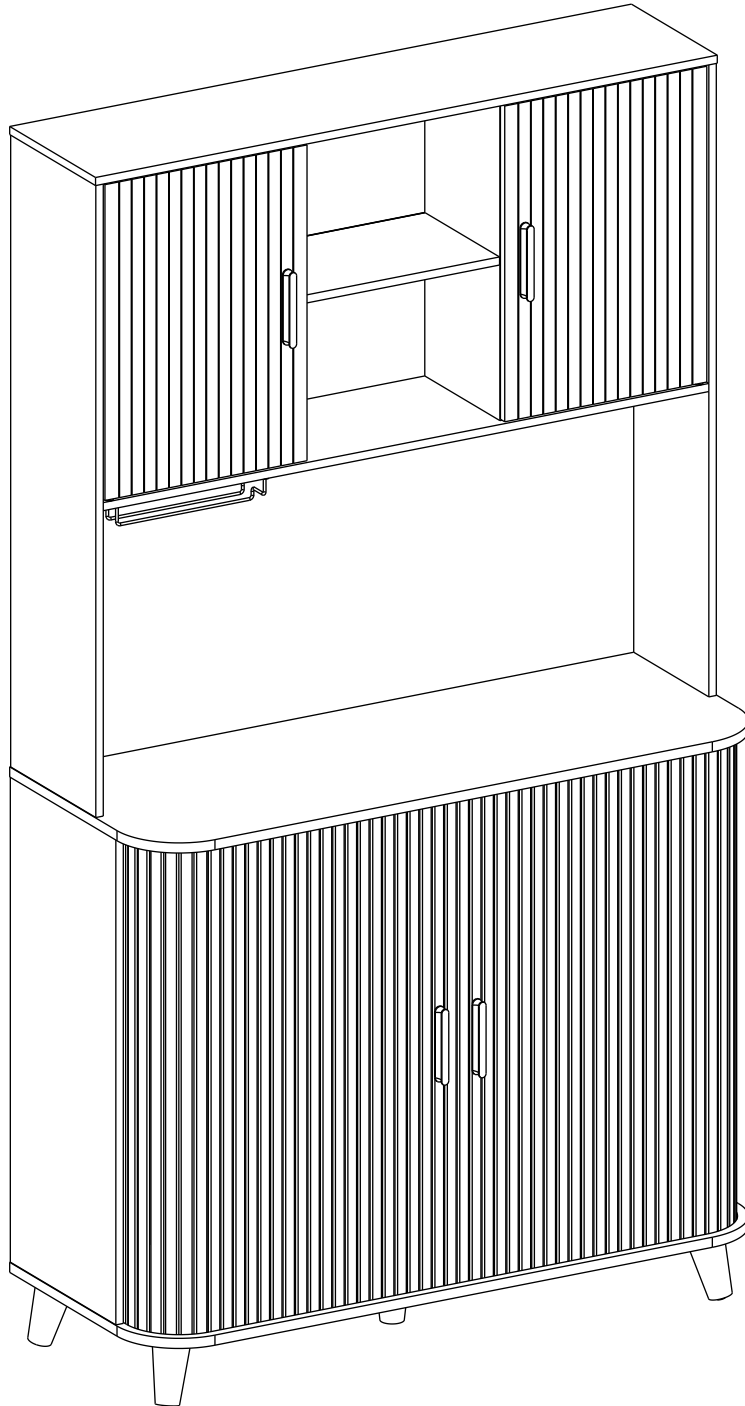


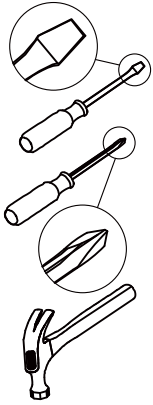
ASSEMBLY INSTRUCTION



Pantry Cabinet

VIPService68@outlook.com

Before You Start



- ✓ Read through each step carefully and follow the proper order
- ✓ Separate and count all your parts and hardware, If Parts are missing defective or having wrong parts in package, or Board Surface is broken, scratched or lack of some screw holes. You can contact us and we will get back to you within 24 hours. Or, you can reach us via after-sales email.
- ✓ Give yourself enough room for the assembly process
- ✓ Caution: If using a power drill or power screwdriver for screwing, please pay attention to slow down and stop when screw is tight. Failure to do so may result in stripping the screw. (Assembly speed can be increased by using electric screwdriver)

Helpful Hints

PEOPLE NEEDED FOR ASSEMBLY: 2

- Open your item in the area you plan to keep it to avoid excessive heavy lifting.
- Identify, sort and count the parts before attempting assembly.
- Do not make the screws too loose or too tight.
- The accessory bag contains some small accessories, which should be kept away from children.
- The remaining parts are spare parts.
- Do NOT use harsh chemicals or abrasive cleaners on this item. And Never push, pull, or drag your furniture.
- Young children can be seriously injured by tipping furniture. You must install the tipping restraint hardware with the unit (No. T) to prevent the unit from tipping, causing any accidents or damage. the tipping restraints are intended only as a deterrent, they are not a substitute for proper adult supervision.



Product Installation Video

Please scan this QR code with your cell phone YouTube to watch the installation video instantly.



Need Help With Your Furniture?

When missing parts? Or feeling stuck? you can contact us by scanning the QR code below or via after-sales email (VIPService68@outlook.com), we will reply you in time.

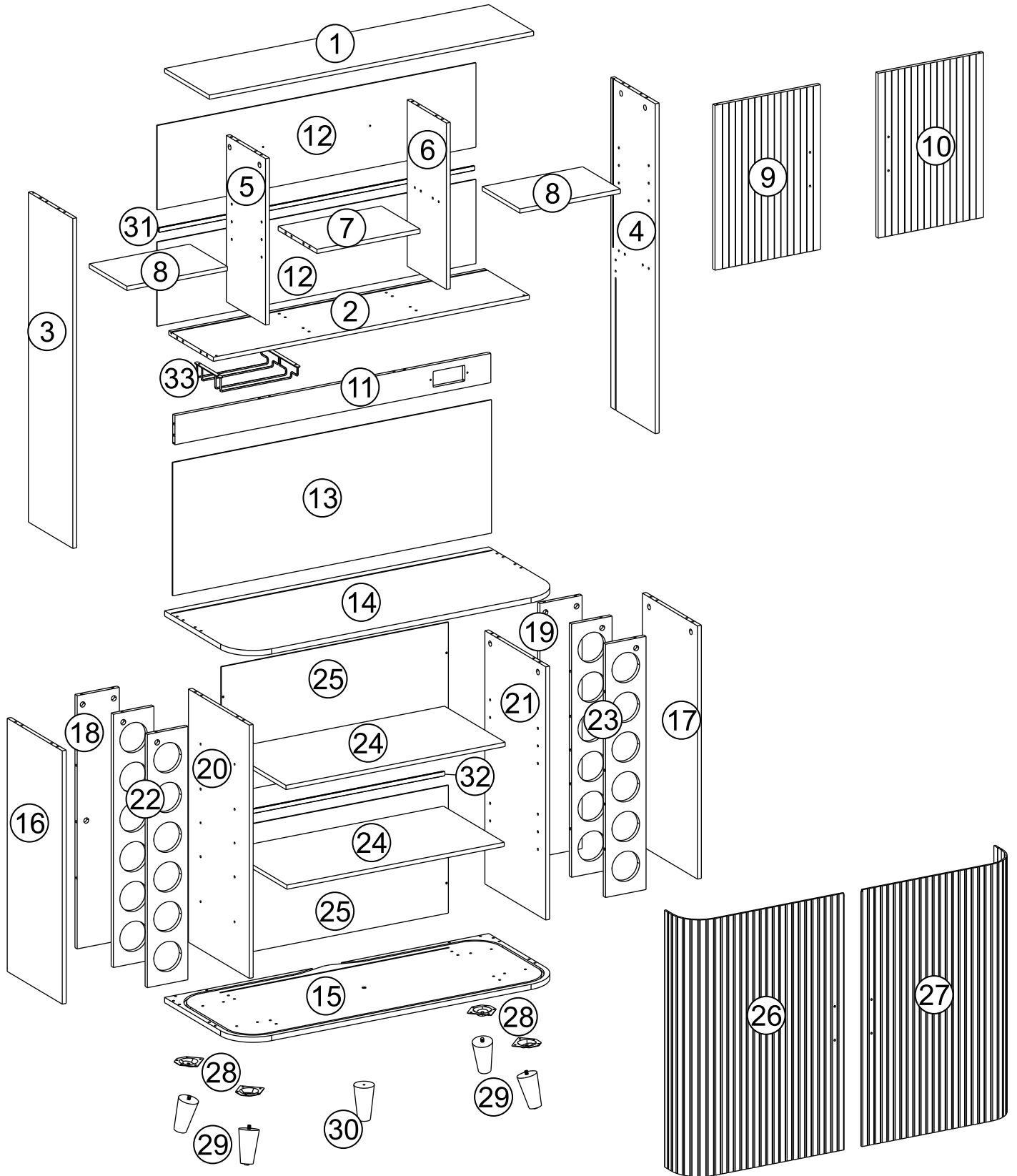
**FREE REPLACEMENT
PARTS AVAILABLE!**



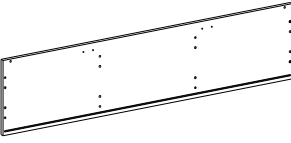
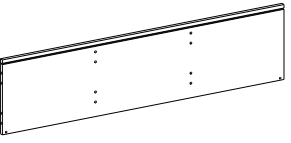
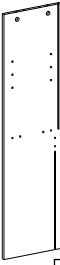


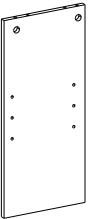
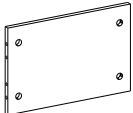
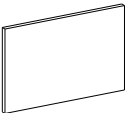
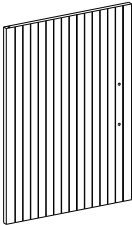
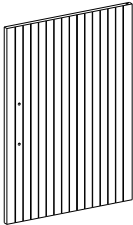
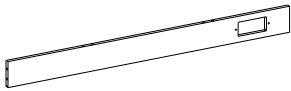
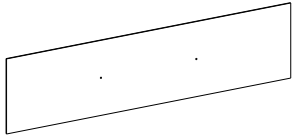
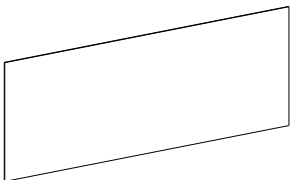
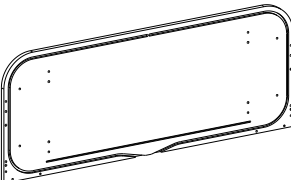
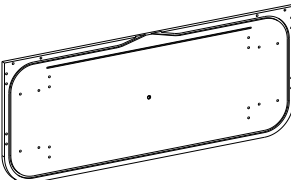




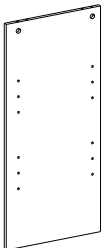
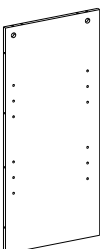
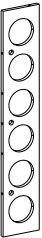

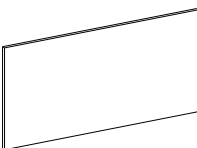
This Is A Challenge For You !

Putting furniture together can feel tricky at first,
but why not give it a shot?

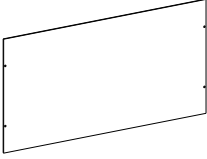
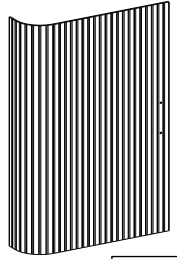
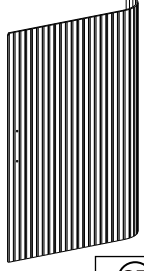
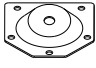
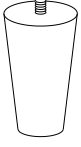
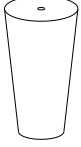


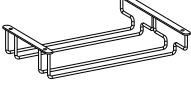
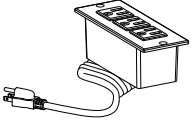
Once you' re done, you' ll see it' s not as hard as it looks
—and your family or friends might even be impressed!















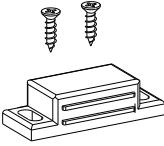
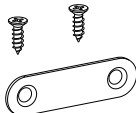
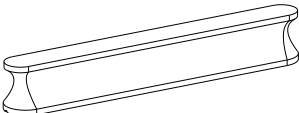
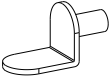
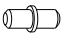
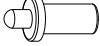
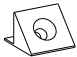
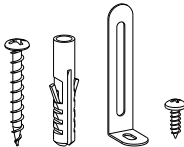
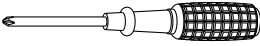

Parts List/Telle Liste

 ① x1	 ② x1	 ③ x1	 ④ x1
 ⑤ x1	 ⑥ x1	 ⑦ x1	 ⑧ x2
 ⑨ x1	 ⑩ x1	 ⑪ x1	 ⑫ x2
 ⑬ x1	 ⑭ x1	 ⑮ x1	 ⑯ x1
 ⑰ x1	 ⑱ x1	 ⑲ x1	 ⑳ x1
 ㉑ x1	 ㉒ x2	 ㉓ x2	 ㉔ x2

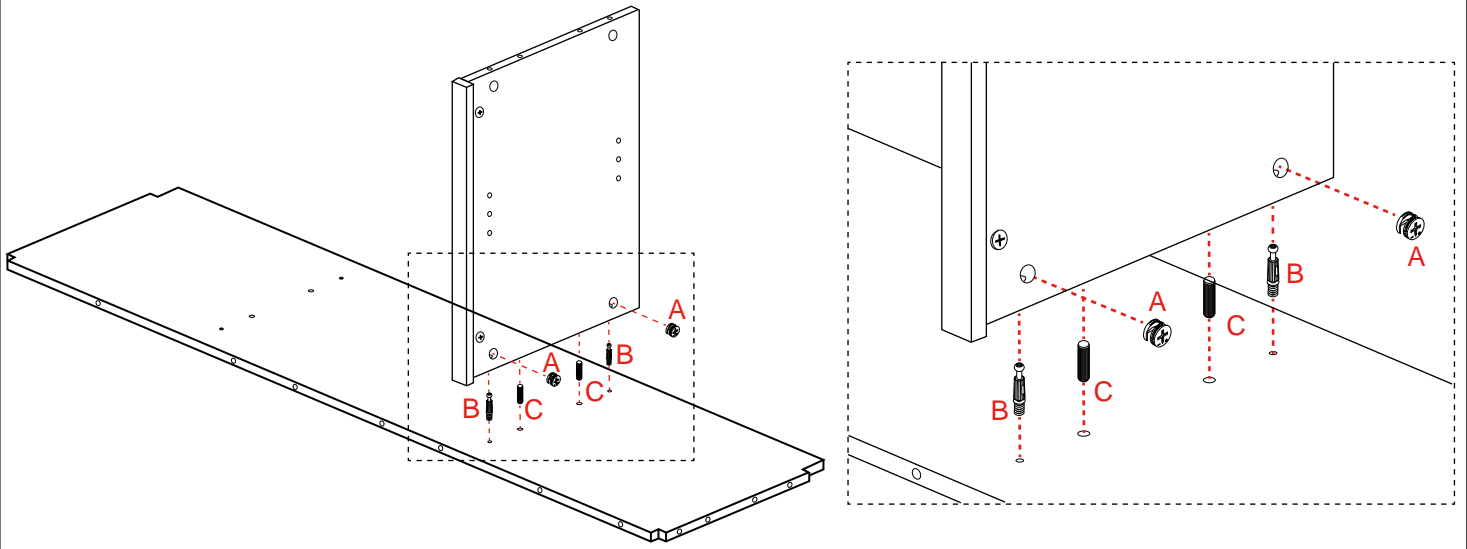
Parts List/Telle Liste

 ②⑤ x2	 ②⑥ x1	 ②⑦ x1	 ②⑧ x4
 ②⑨ x4	 ③⑩ x1	 ③① x1	 ③② x1
 ③③ x1	 ③④ x1		

Parts List/Telle Liste

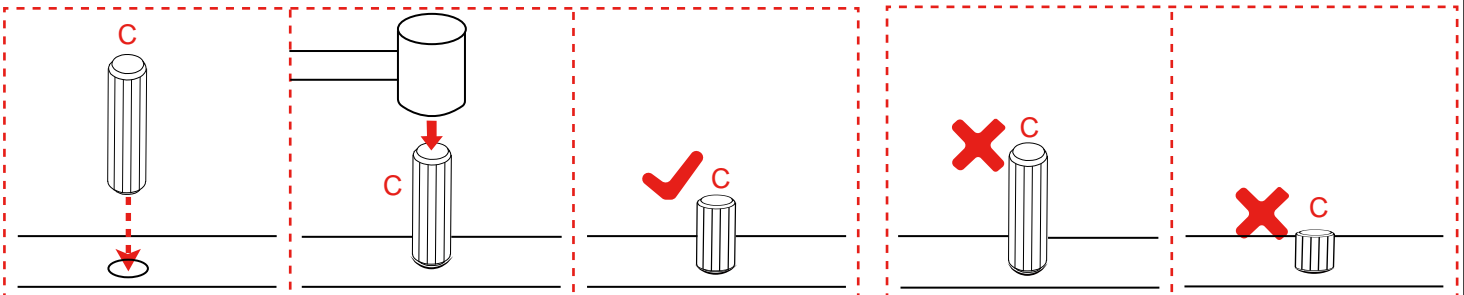
 Ø14.7×9.5mm (A) x52	 Ø6×35mm (B) x52	 Ø6×30mm (C) x58	 Ø5×48mm (D) x24
 Ø7×35mm (E) x1	 M4×8mm (F) x4	 M4×15mm (G) x4	 M4×12mm (H) x2
 Ø3.5×12mm (I) x36	 Ø3.5×15mm (J) x10	 M3 (K) x1	 M4 (L) x1
 (M) x2	 (N) x2	 (O) x4	 (P) x16
 (Q) x2	 (R) x2	 (S) x10	 (T) x2
 (U) x1	 (V) x2		

How the knock down assembly system works

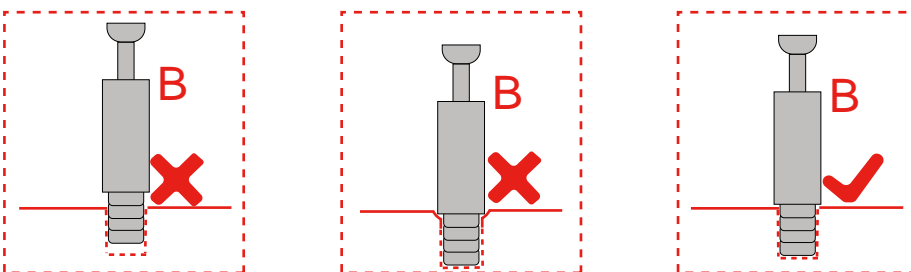


How to Install Wood Dowel

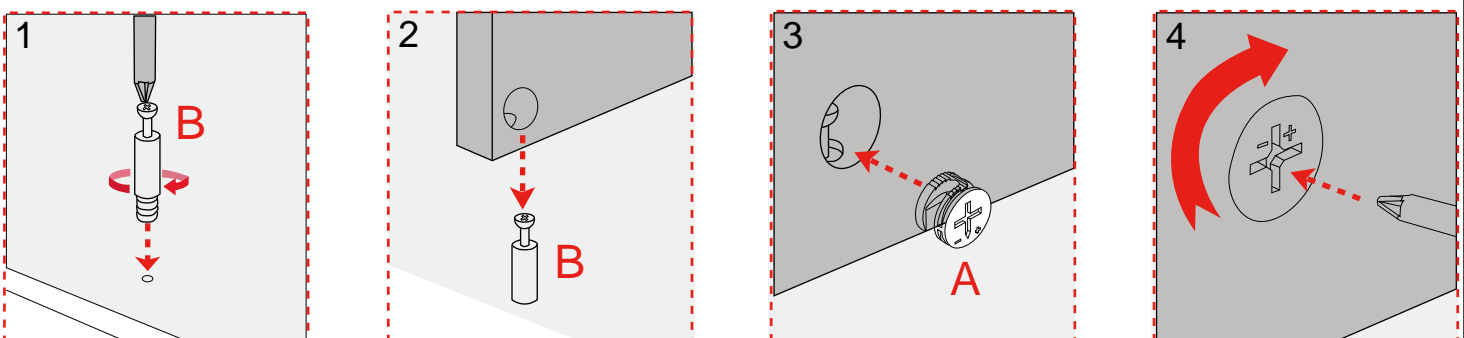
Insert the wood dowel [C] at least half way by tapping lightly with a rubber mallet, IF NECESSARY.



Cam Lock System Operation



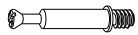
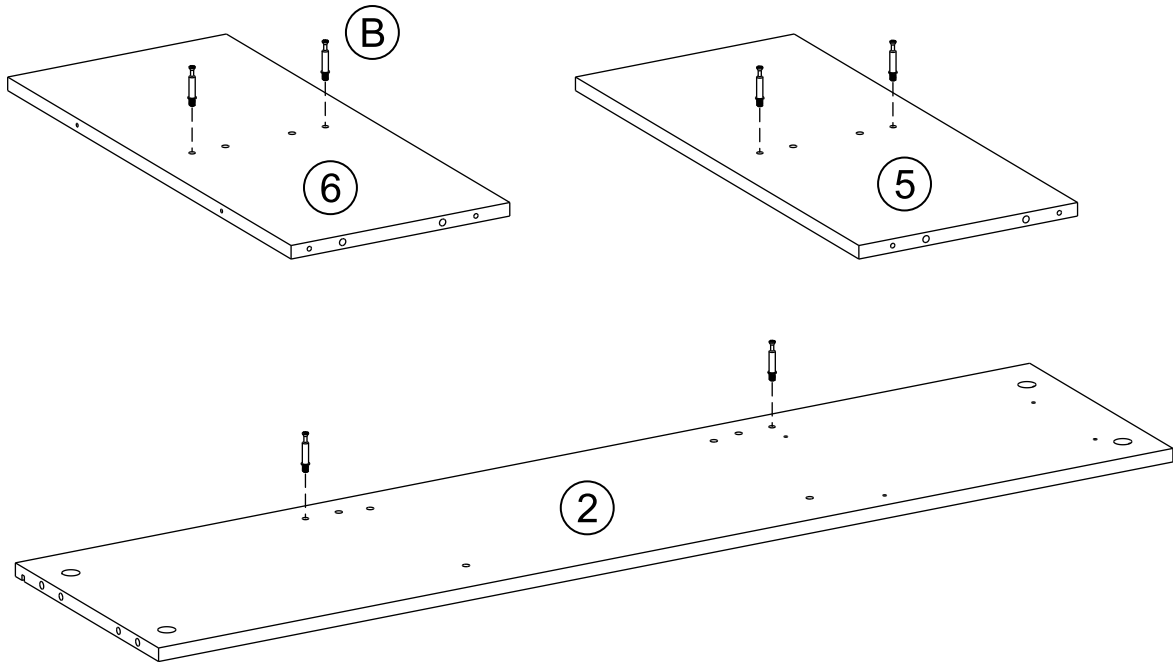
1. Screw the cam bolt [B] into the threaded insert on the panel.
2. Connect both panels together making sure cam bolt[B] goes into the pre-drilled large hole on the end of panel for cam lock[A].
3. Insert the cam lock[A] into the pro-drilled large hole on the panel. Make sure the cross slot of cam lock [A] faces out (The arrow should point towards Screw No. B).
4. Rotate the cam lock [A] clockwise with a self-supplied phillips screwdriver to lock the cam bolt [B] in place (Rotate 100-180 degrees until tight).





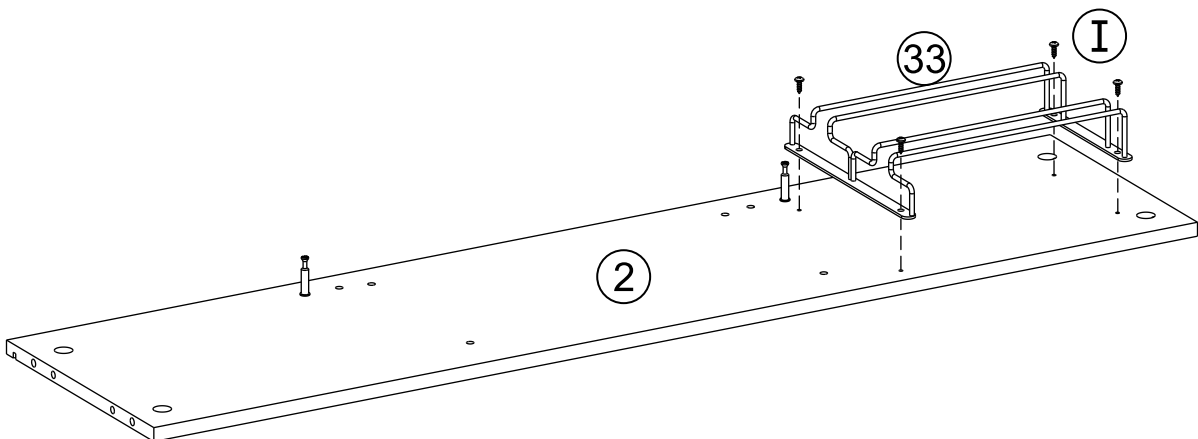
Missing parts? Or feeling stuck?
Chat with us at VIPService68@outlook.com

STEP 1 Install 6Pcs No. B screws into the corresponding holes on Panel No. 2, Panel No. 5, and Panel No. 6.



(B) x6

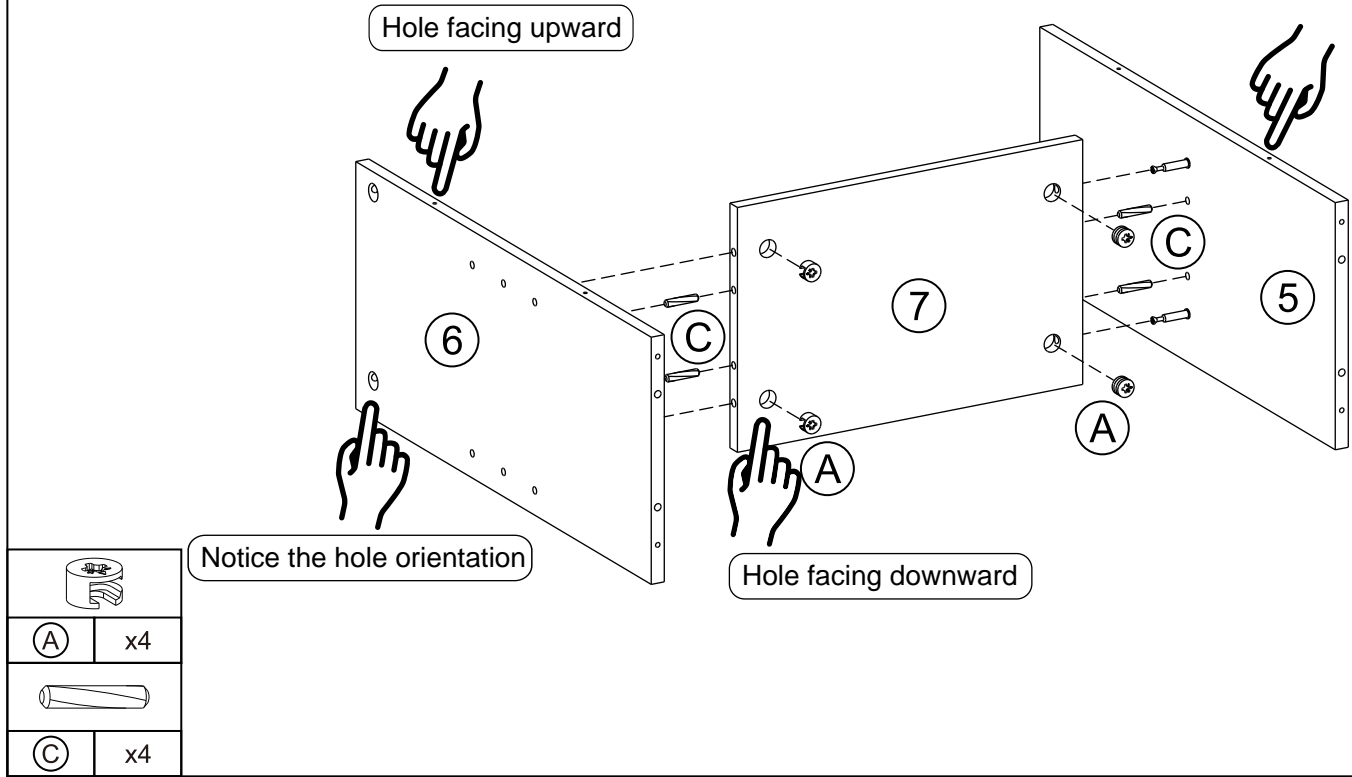
STEP 2 Use 4Pcs No. I screws to mount No. 33 wine glass rack onto Panel No. 2.


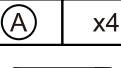



(I) x4

STEP 3

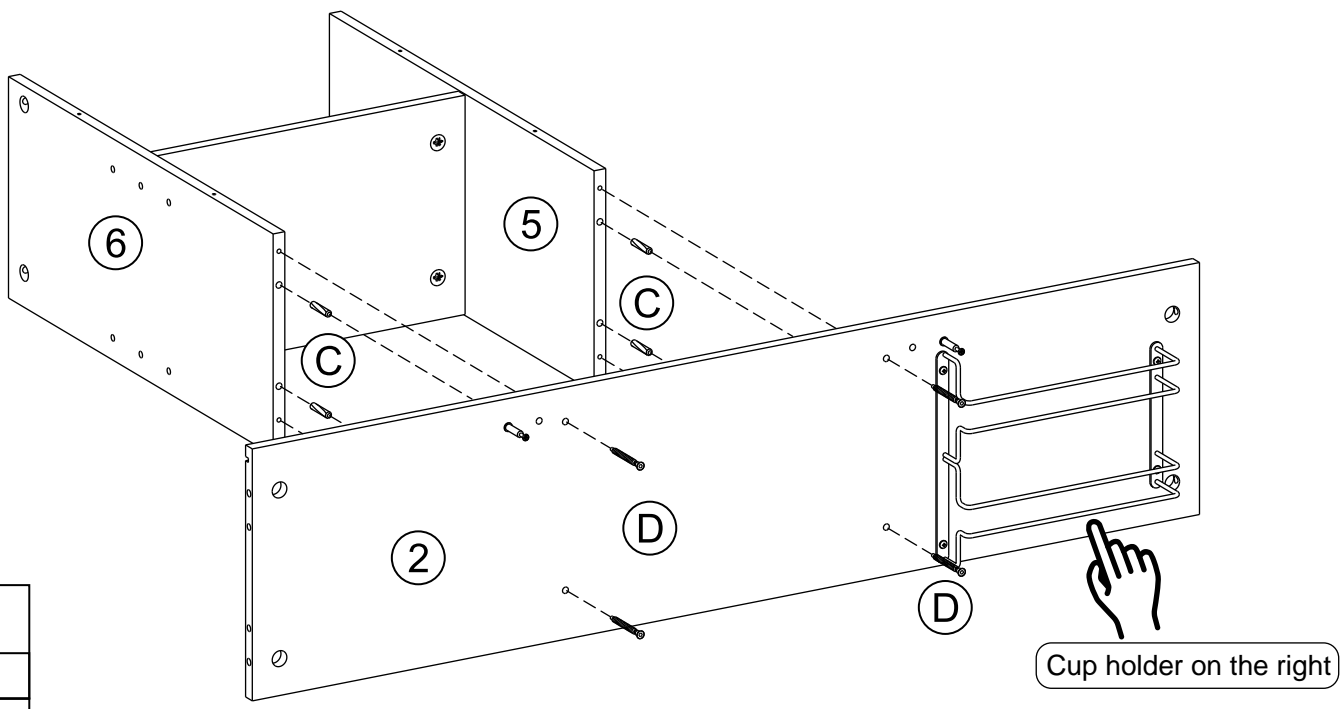
First, insert 4Pcs No. C wooden dowels into the holes on the side of Panel No. 7. Then use 4Pcs No. A screws to connect Panel No. 5, Panel No. 6, and Panel No. 7. Please follow the **important tips** during installation.


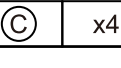
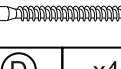


	x4
	
	x4

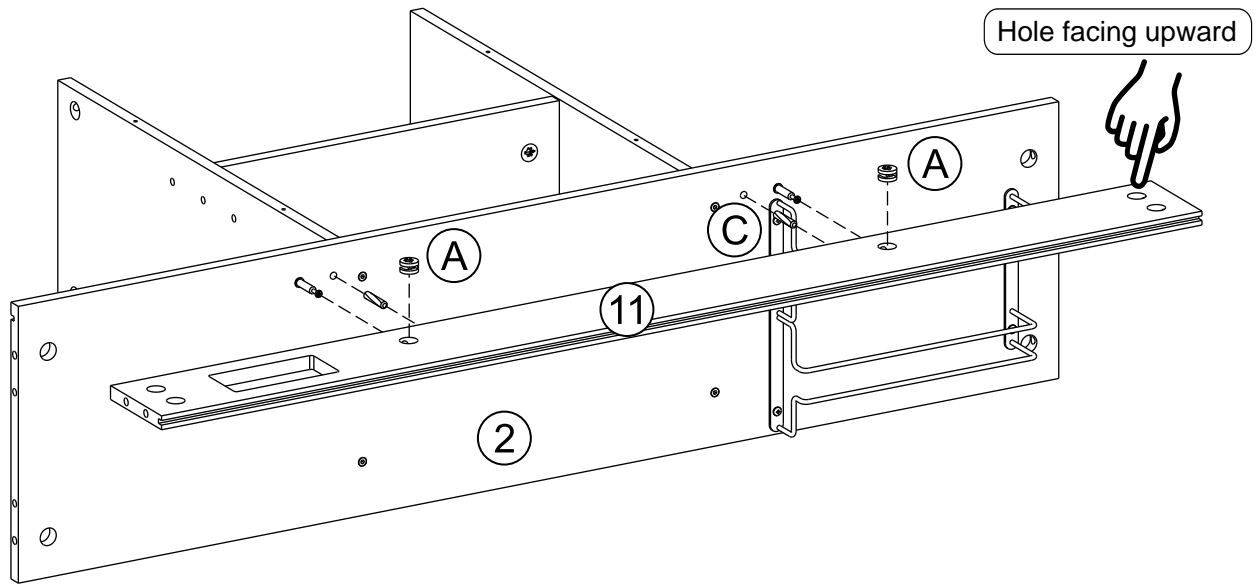
STEP 4



First, Insert 4Pcs No. C wooden dowels into the holes on the sides of Panel No. 5 and Panel No. 6. Then use 4Pcs No. D screws to connect Panel No. 2 to Panel No. 5 and Panel No. 6. This step requires a No.K Allen wrench.



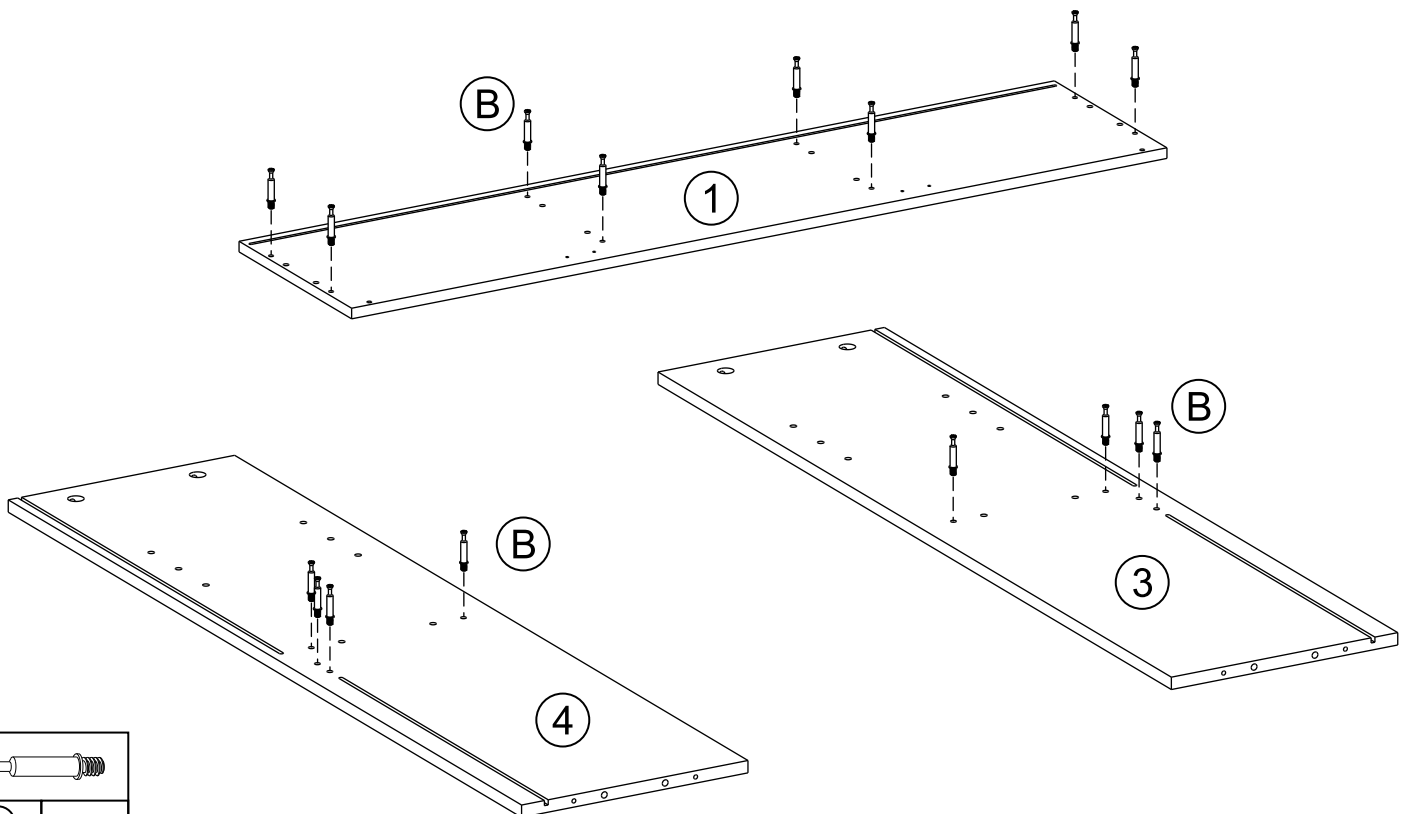
	x4
	
	x4

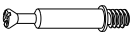
STEP 5 Insert 2Pcs No. C wooden dowels into the holes on the side of Panel No. 11. Then use 2Pcs No. A screws to connect Panel No. 11 to Panel No. 2.



	
(A)	x2
	
(C)	x2

STEP 6 Install 16Pcs No. B screws into the corresponding holes on Panel No. 1, Panel No. 3, and Panel No. 4.

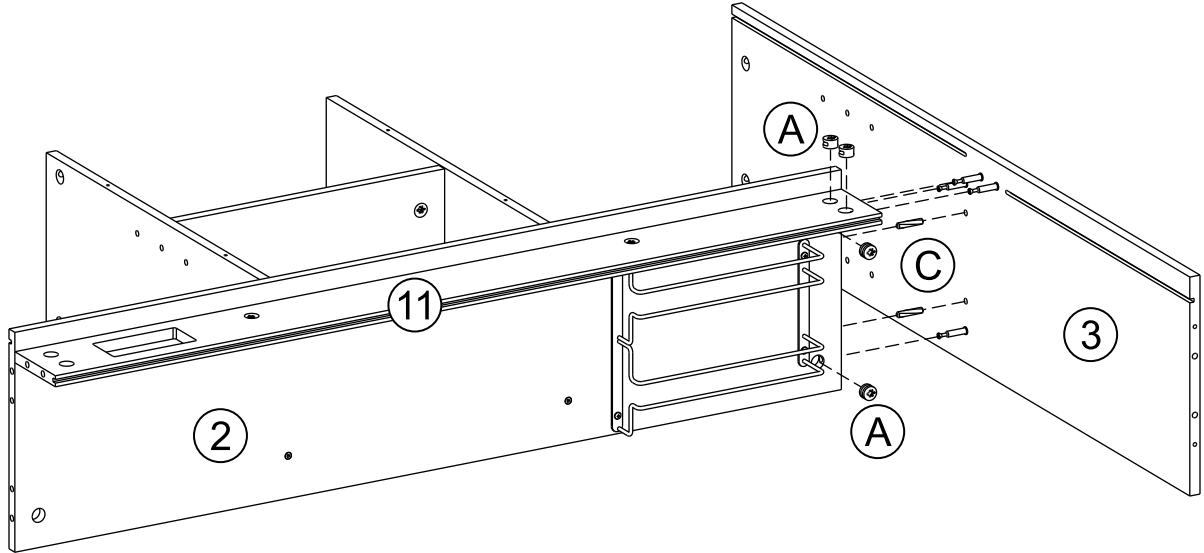


	
(B)	x16



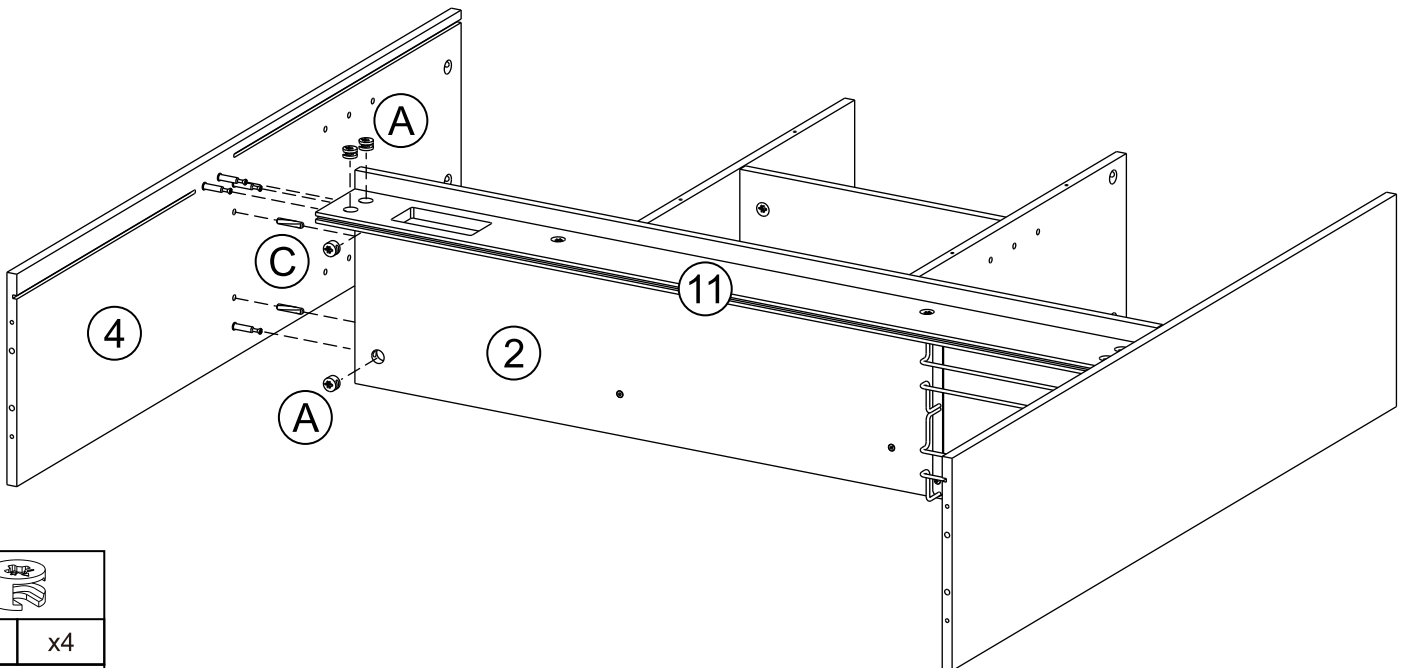
Missing parts? Or feeling stuck?
Chat with us at VIPService68@outlook.com

STEP 7 Insert 2Pcs No. C wooden dowels into the holes on the side of Panel No. 2. Then use 4Pcs No. A screws to connect Panel No. 3 to Panel No. 2 and Panel No. 11.



(A)	x4
(C)	x2

STEP 8 Insert 2Pcs No. C wooden dowels into the holes on the side of Panel No. 2. Then use 4Pcs No. A screws to connect Panel No. 4 to Panel No. 2 and Panel No. 11.



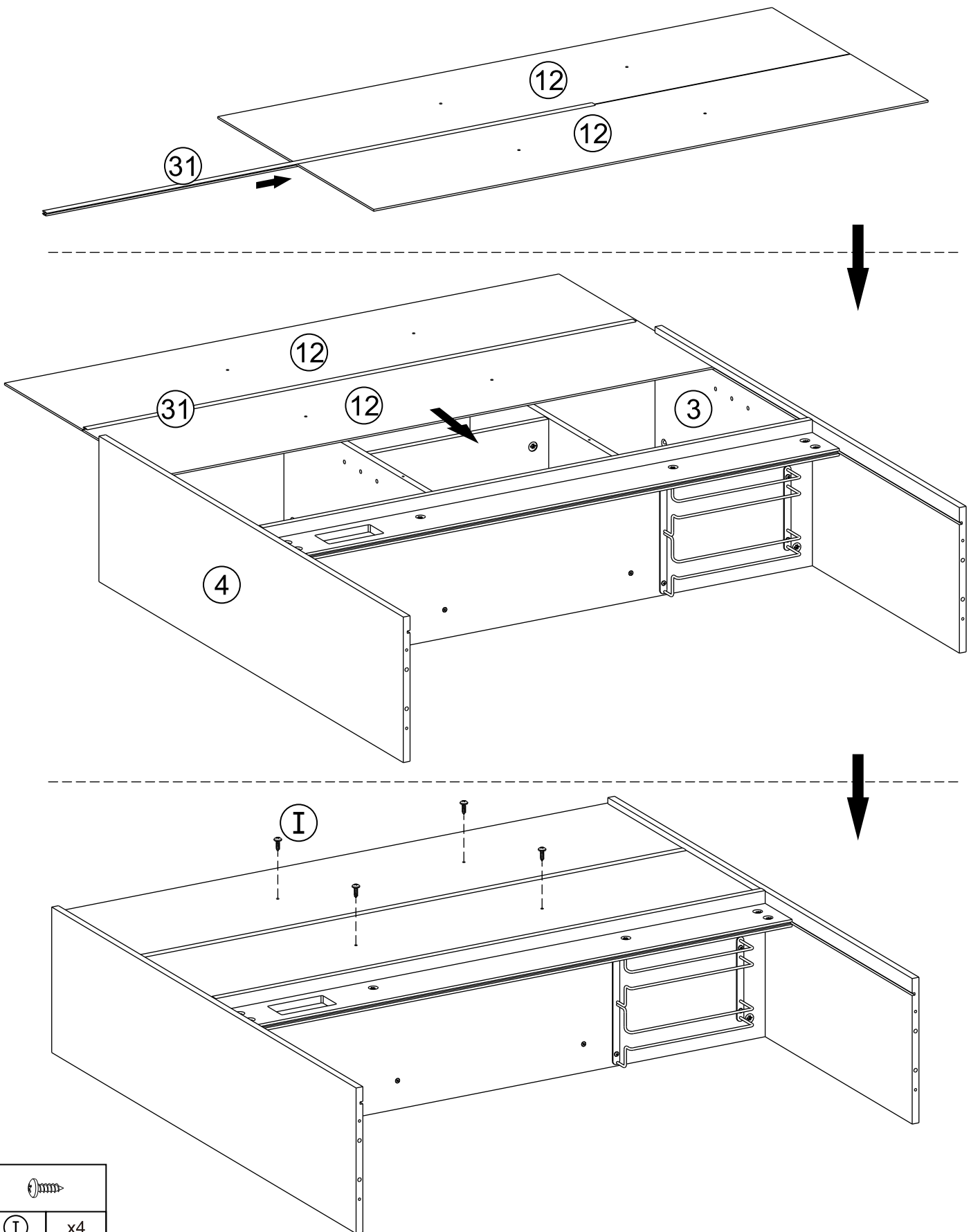
(A)	x4
(C)	x2



Missing parts? Or feeling stuck?
Chat with us at VIPService68@outlook.com

STEP 9

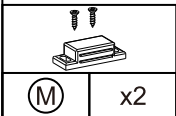
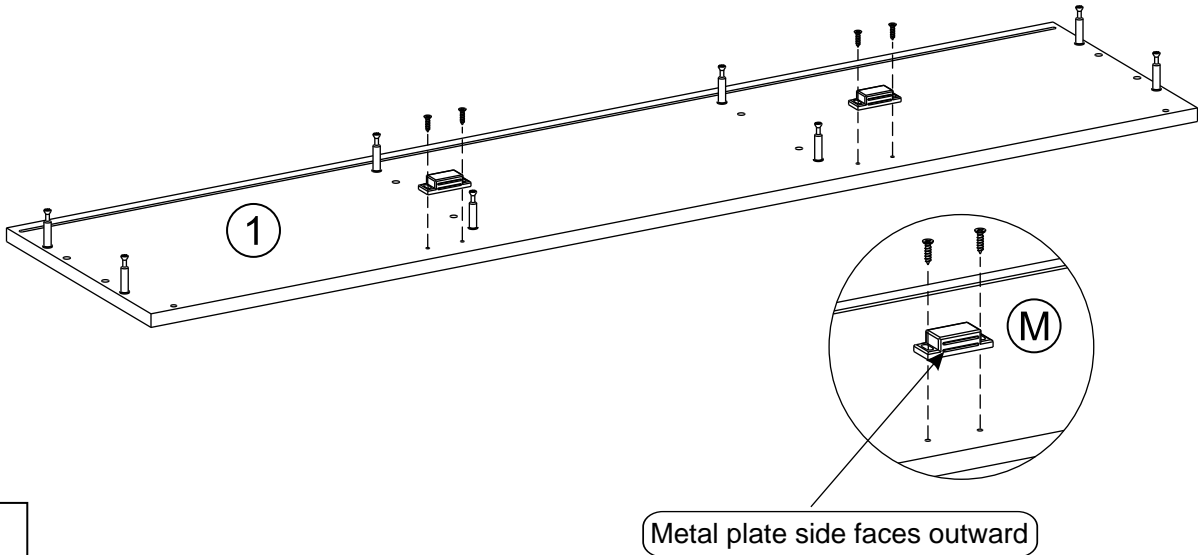
Insert Panel No. 12 into the grooves of Panel No. 3 and Panel No. 4. Then use No. 31 plastic clips to secure the two Panel No. 12 pieces together. Finally, use 4Pcs No. I screws to secure Panel No. 12 to the cabinet.



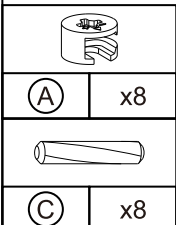
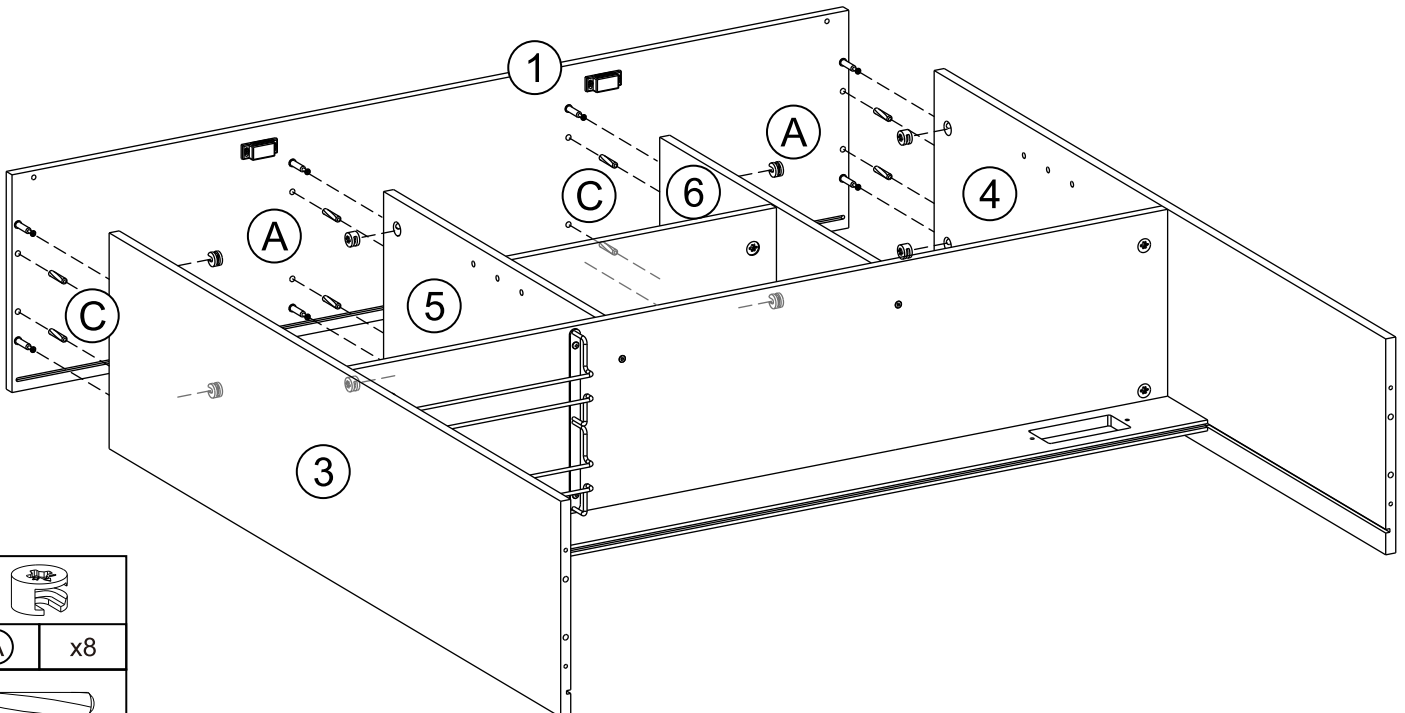


Missing parts? Or feeling stuck?
Chat with us at VIPService68@outlook.com

STEP 10 Use 4Pcs screws from the No. M accessory pack to install the No. M baffle onto Panel No. 1.



STEP 11 Insert 8Pcs wooden dowels into the holes on the sides of Panel No. 3, Panel No. 4, Panel No. 5, and Panel No. 6. Then use 8Pcs No. A screws to connect Panel No. 1 to the cabinet.

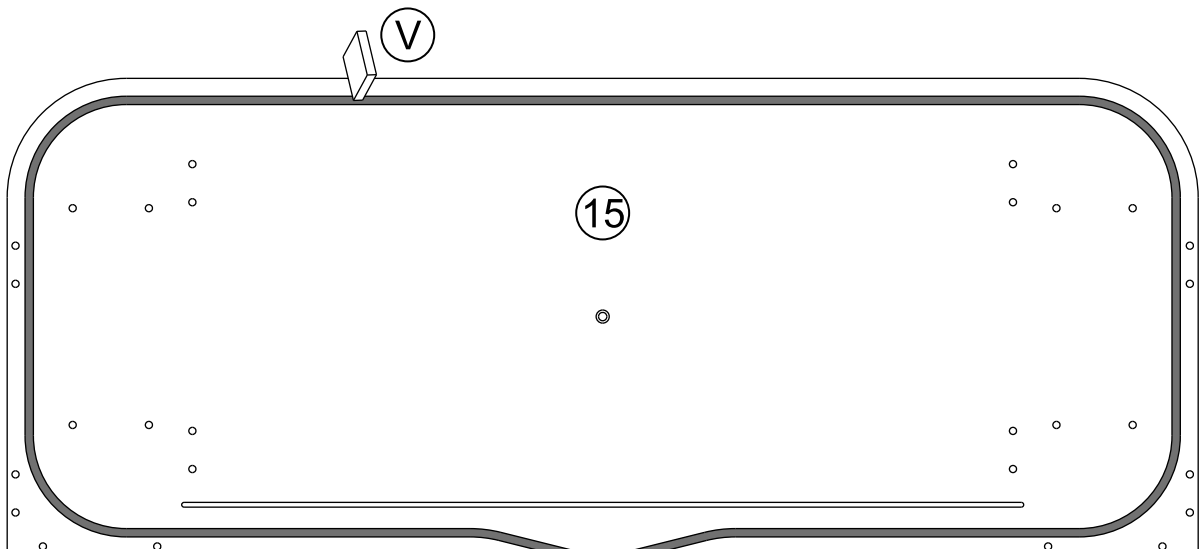
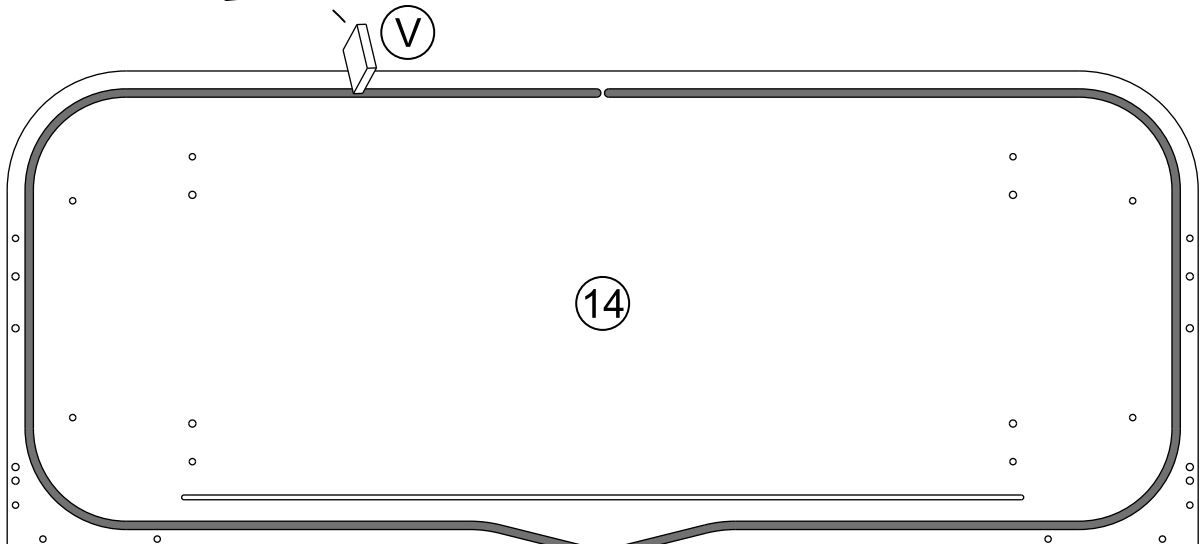
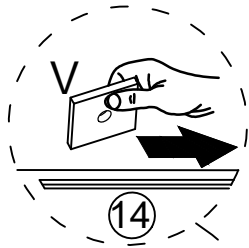




STEP 12

Preparation before installation

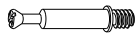
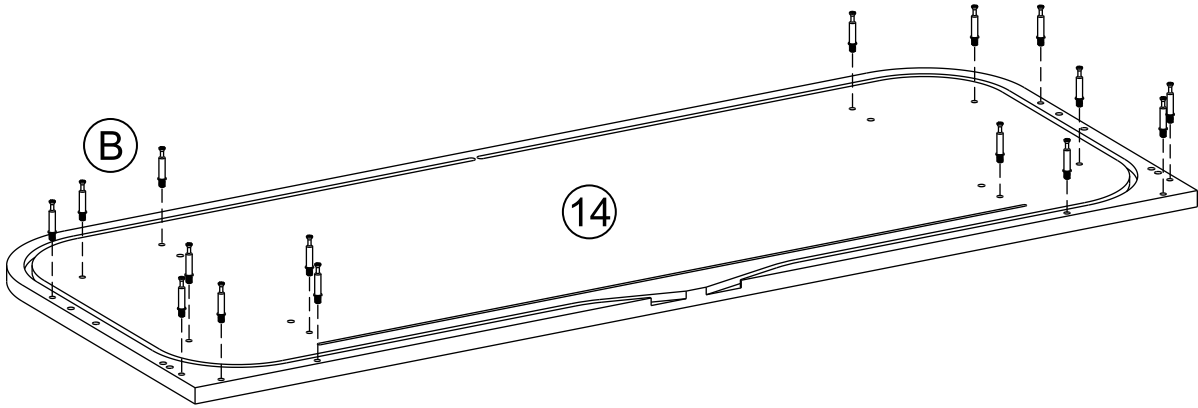
- Please apply wax evenly in the grooves of Panel No. 14 and Panel No. 15. This will help the cabinet door slide out more smoothly. During use, wax fragments may come off, but this will stop after a short period of use.



(V)

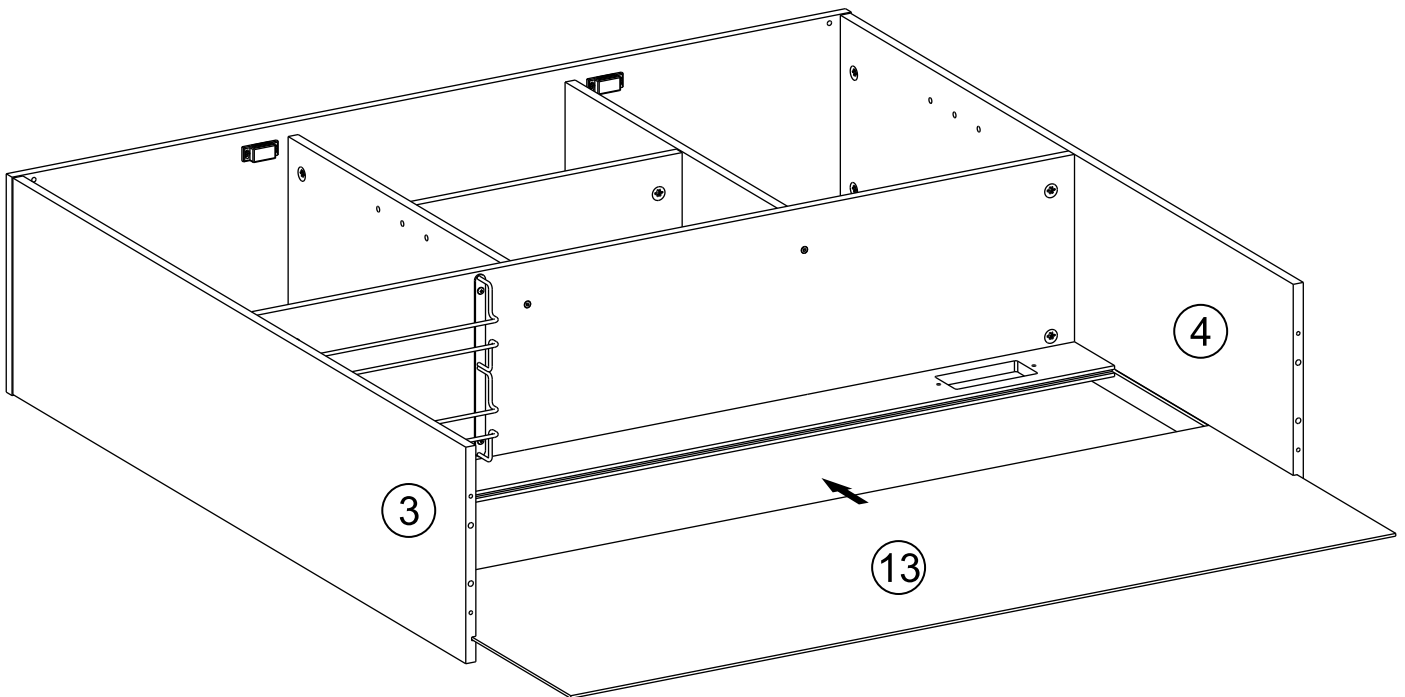
x1

STEP 13 Install 16Pcs No. B screws into the corresponding holes on Panel No. 14. Be careful not to place them in the wrong holes.



(B) x16

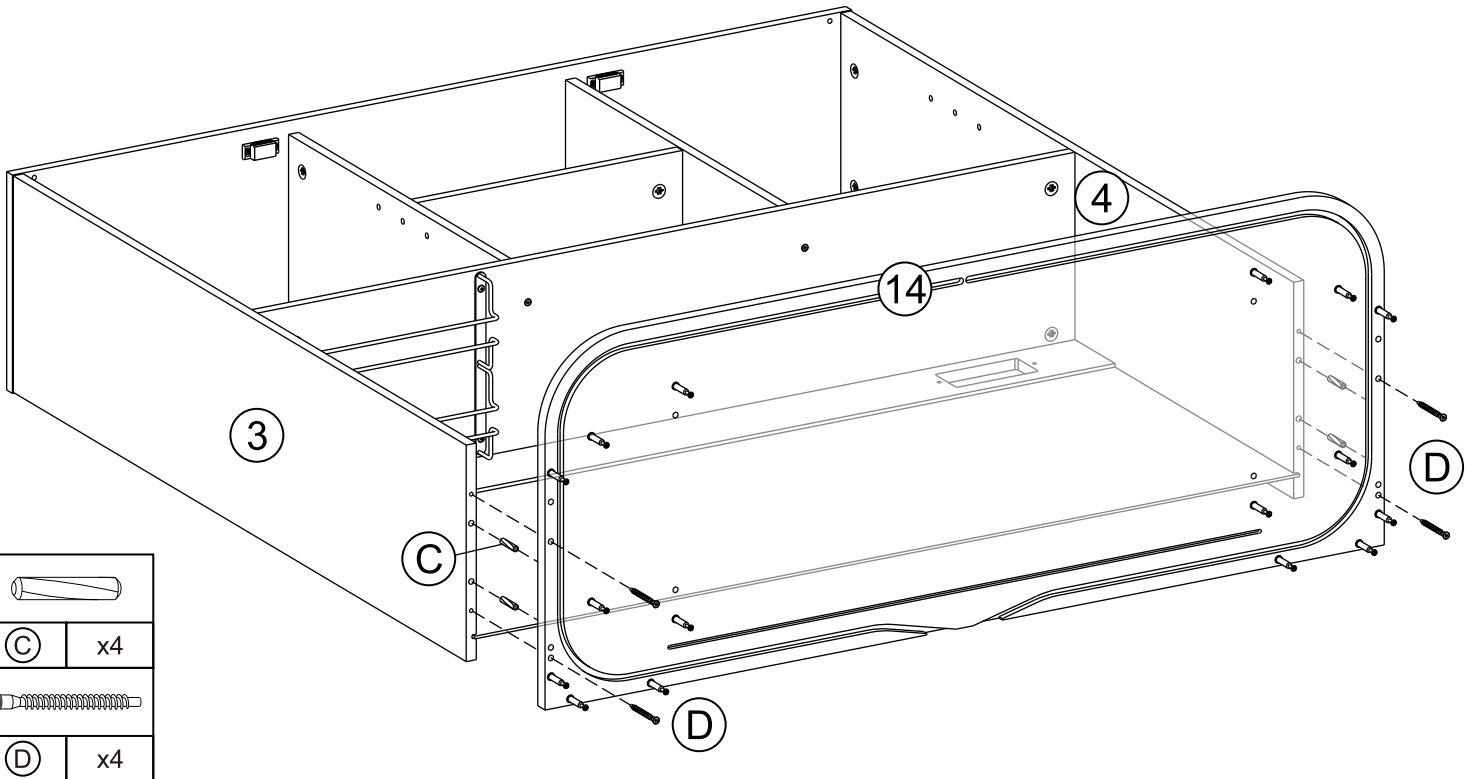
STEP 14 Inserting Panel No. 13 into the grooves of Panel No. 3 and Panel No. 4



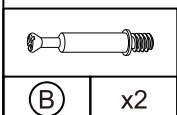
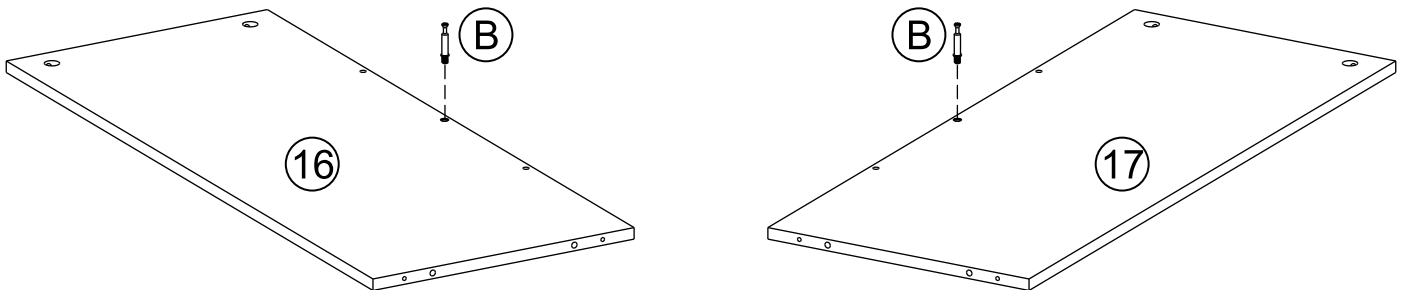


Missing parts? Or feeling stuck?
Chat with us at VIPService68@outlook.com

STEP 15 Insert 4Pcs No. C wooden dowels into the holes on the sides of Panel No. 3 and Panel No. 4. Then use 4Pcs No. D screws to connect Panel No. 14 to the cabinet. (The cabinet can be stood upright to make assembly easier.)



STEP 16 Install 2Pcs No. B screws into the corresponding holes on Panel No. 16 and Panel No. 17.

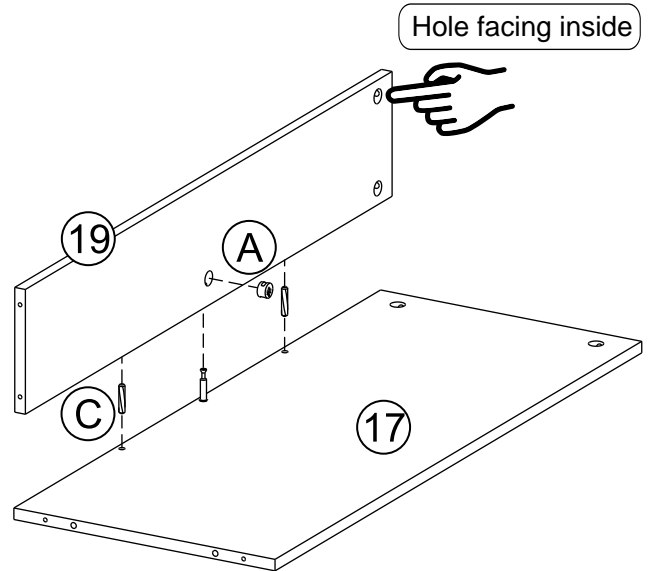
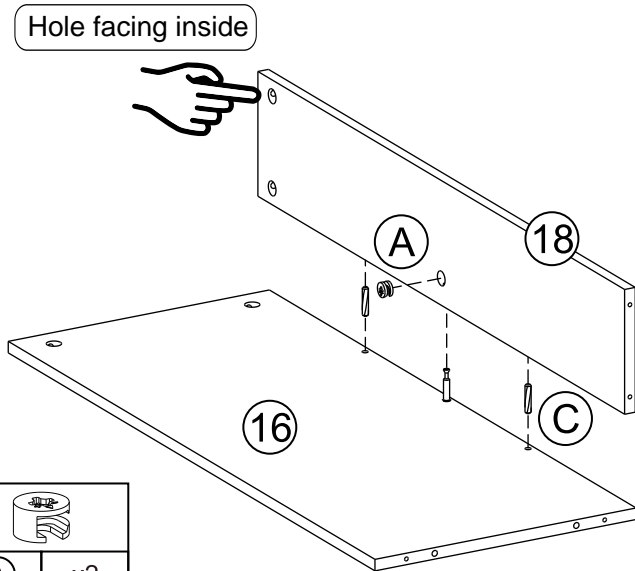




Missing parts? Or feeling stuck?
Chat with us at VIPService68@outlook.com

STEP 17

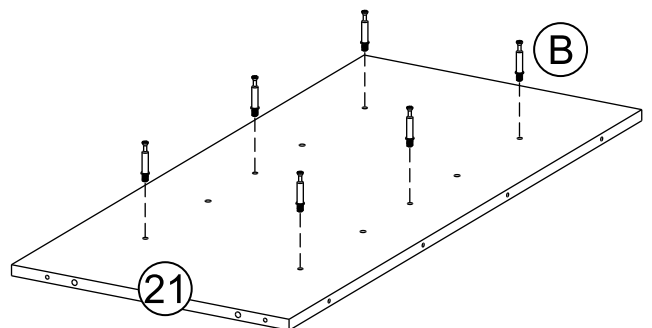
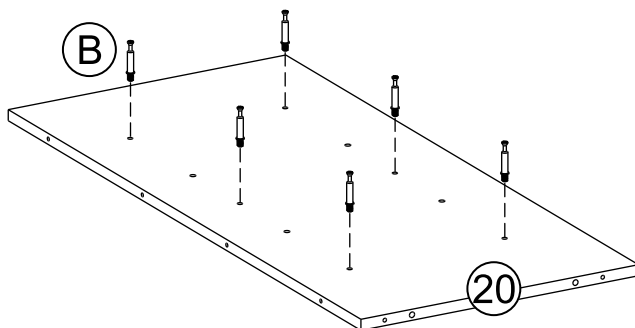
First, insert 4Pcs No. C wooden dowels into the holes on the sides of Panel No. 18 and Panel No. 19. Then use 1Pcs No. A screw to connect Panel No. 16 and Panel No. 18. Finally, use 1Pcs No. A screw to connect Panel No. 17 and Panel No. 19.



(A)	x2
(C)	x4

STEP 18

Install 12Pcs No. B screws into the corresponding holes on Panel No. 20 and Panel No. 21.



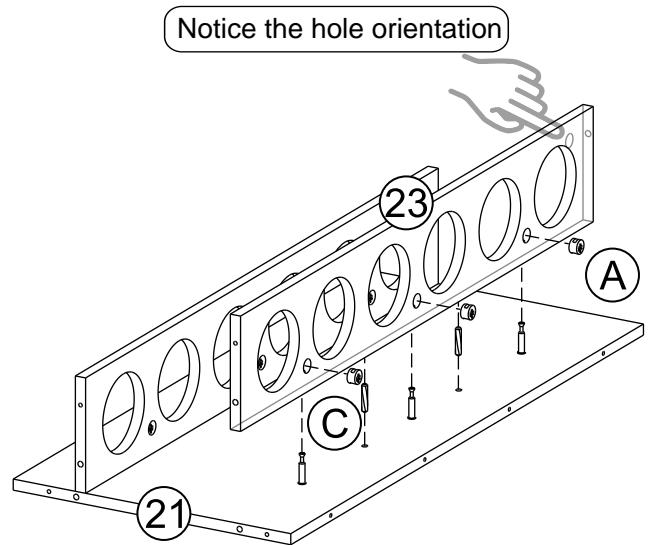
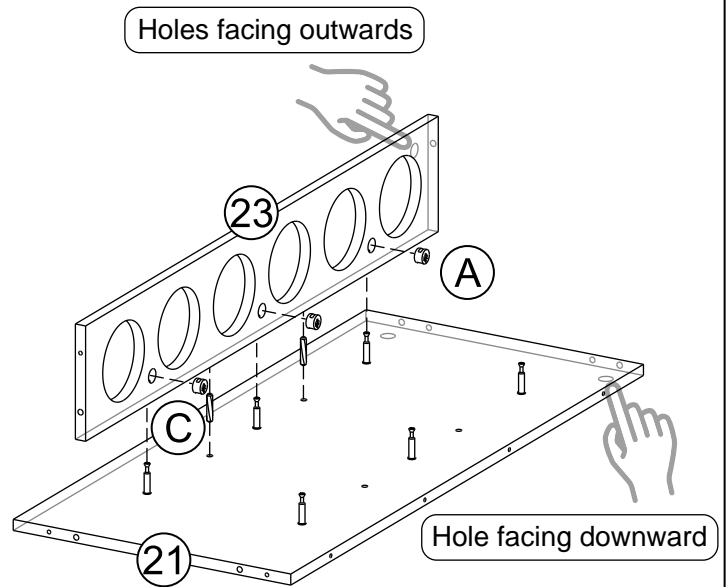
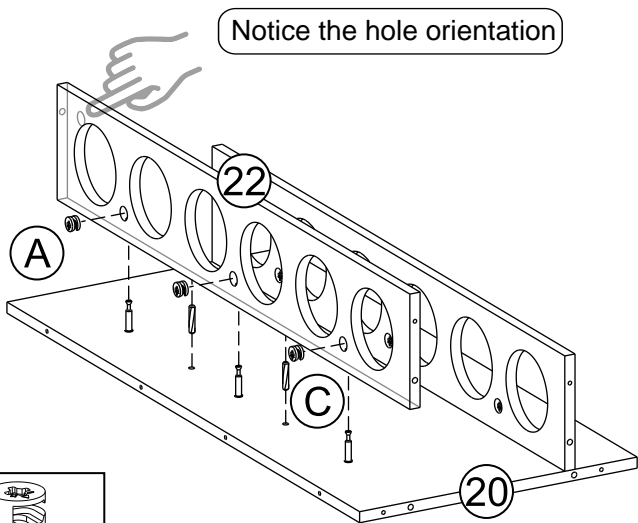
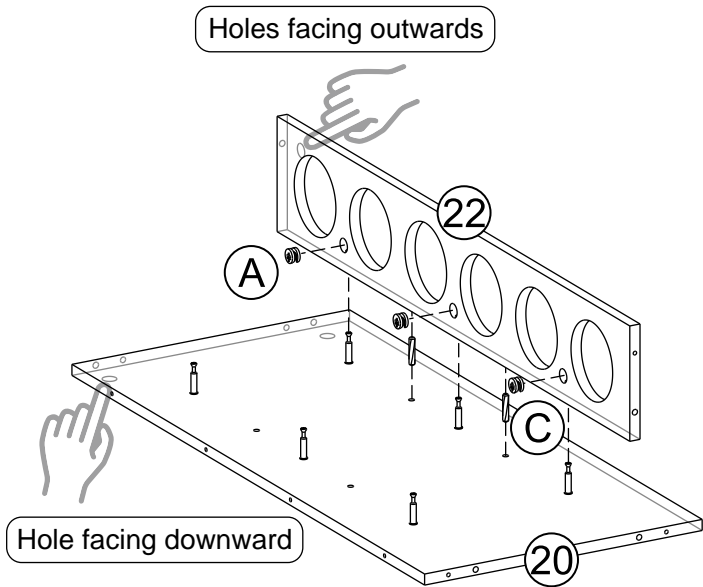
(B)	x12


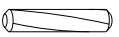


Missing parts? Or feeling stuck?
Chat with us at VIPService68@outlook.com

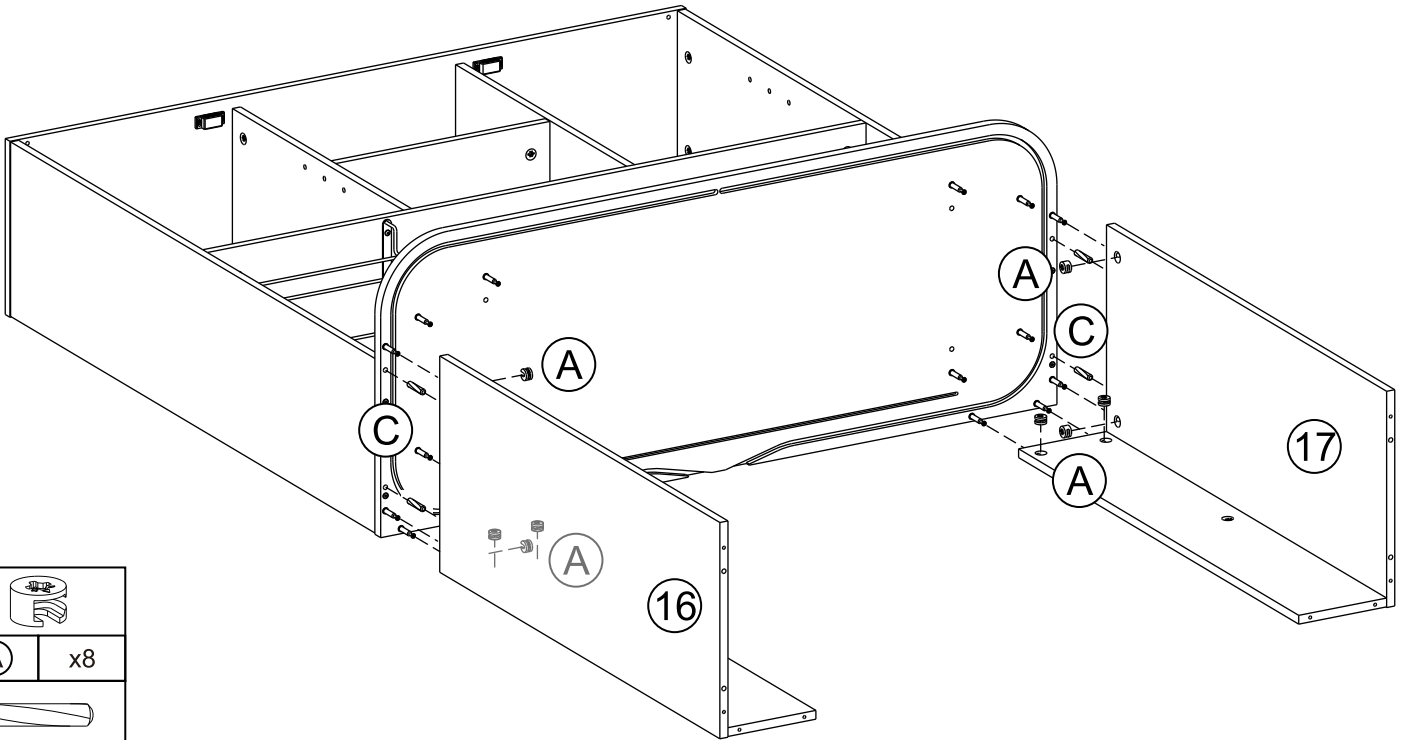
STEP 19



First, insert 8Pcs No. C wooden dowels into the holes on the sides of Panel No. 22 and Panel No. 23, then use 6Pcs No. A screws to mount Panel No. 22 onto Panel No. 20, and finally use 6Pcs No. A screws to mount Panel No. 23 onto Panel No. 21. (Please follow the order shown in the figure to avoid affecting the tightening of the No. A screws.)



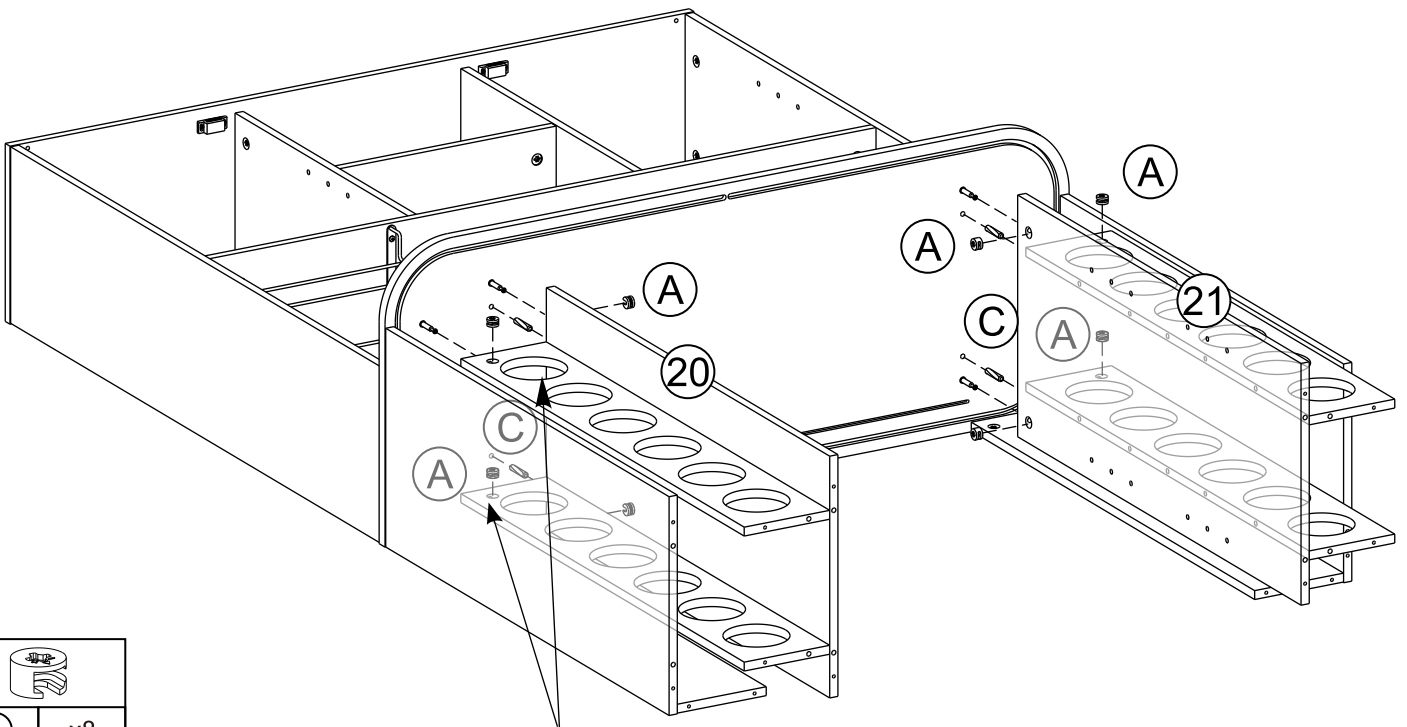
	
(A)	x12
	
(C)	x8


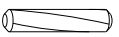
STEP 20 First, insert 4Pcs No. C wooden dowels into the holes on the sides of Panel No. 16 and Panel No. 17, and then use 8Pcs No. A screws to connect them to the cabinet.



	
(A)	x8
	
(C)	x4

STEP 21 First, insert 4Pcs No. C wooden dowels into the holes on the sides of Panel No. 20 and Panel No. 21, then use 8Pcs No. A screws to attach them to the cabinet.



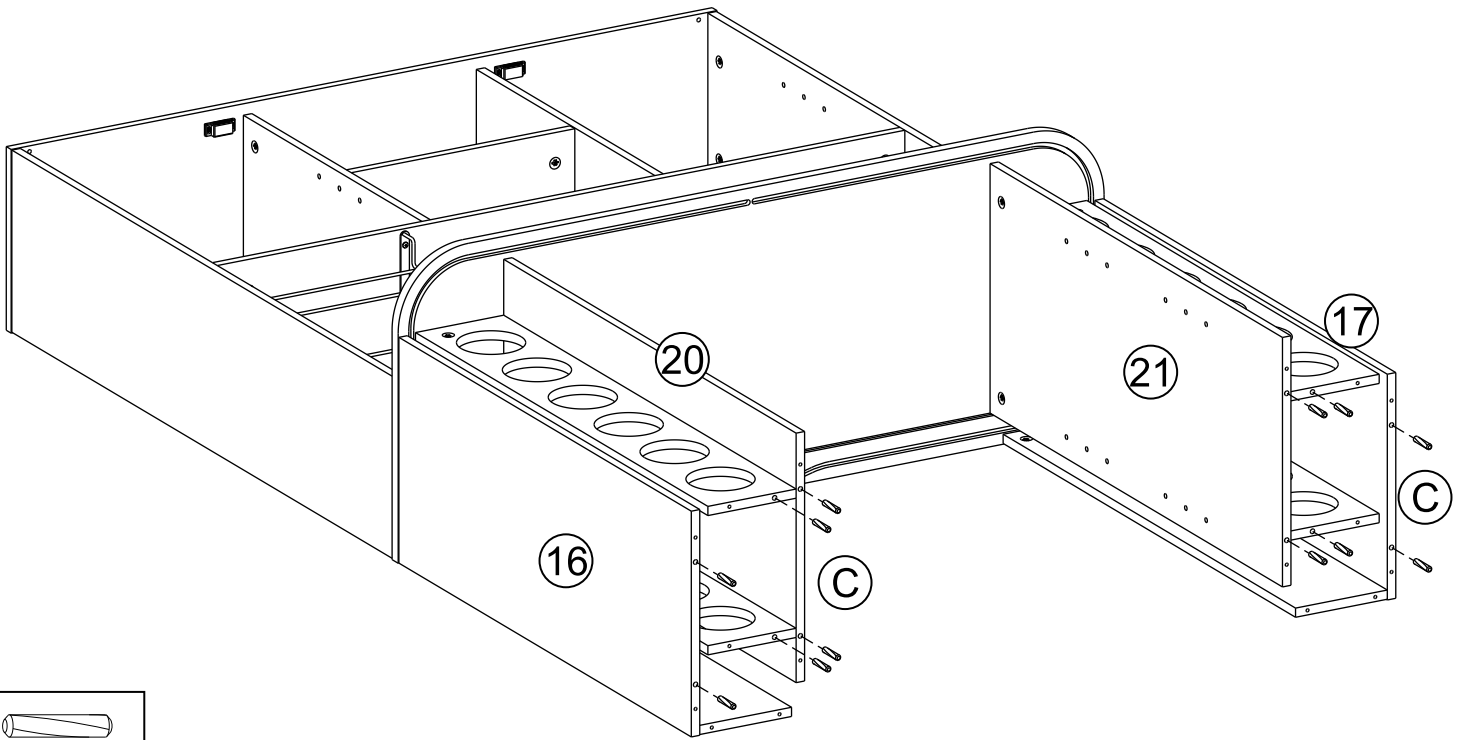
	
(A)	x8
	
(C)	x4

Pass the screwdriver through the round hole in Panel No. 22 before tightening the No. A screw.



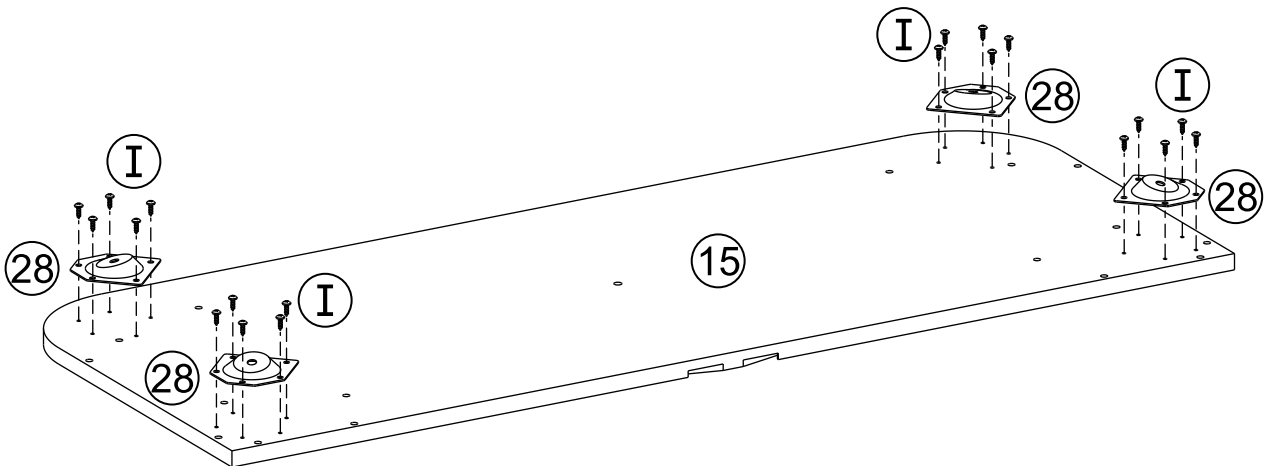
Missing parts? Or feeling stuck?
Chat with us at VIPService68@outlook.com

STEP 22 Insert 12Pcs No. C wooden dowels into the holes on the sides of Panel No. 16, Panel No. 17, Panel No. 20, Panel No. 21, Panel No. 22, and Panel No. 23.



Ⓒ x12

STEP 23 Use 20Pcs No. I screws to secure the No. 28 metal plate to Panel No. 15.

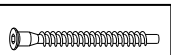
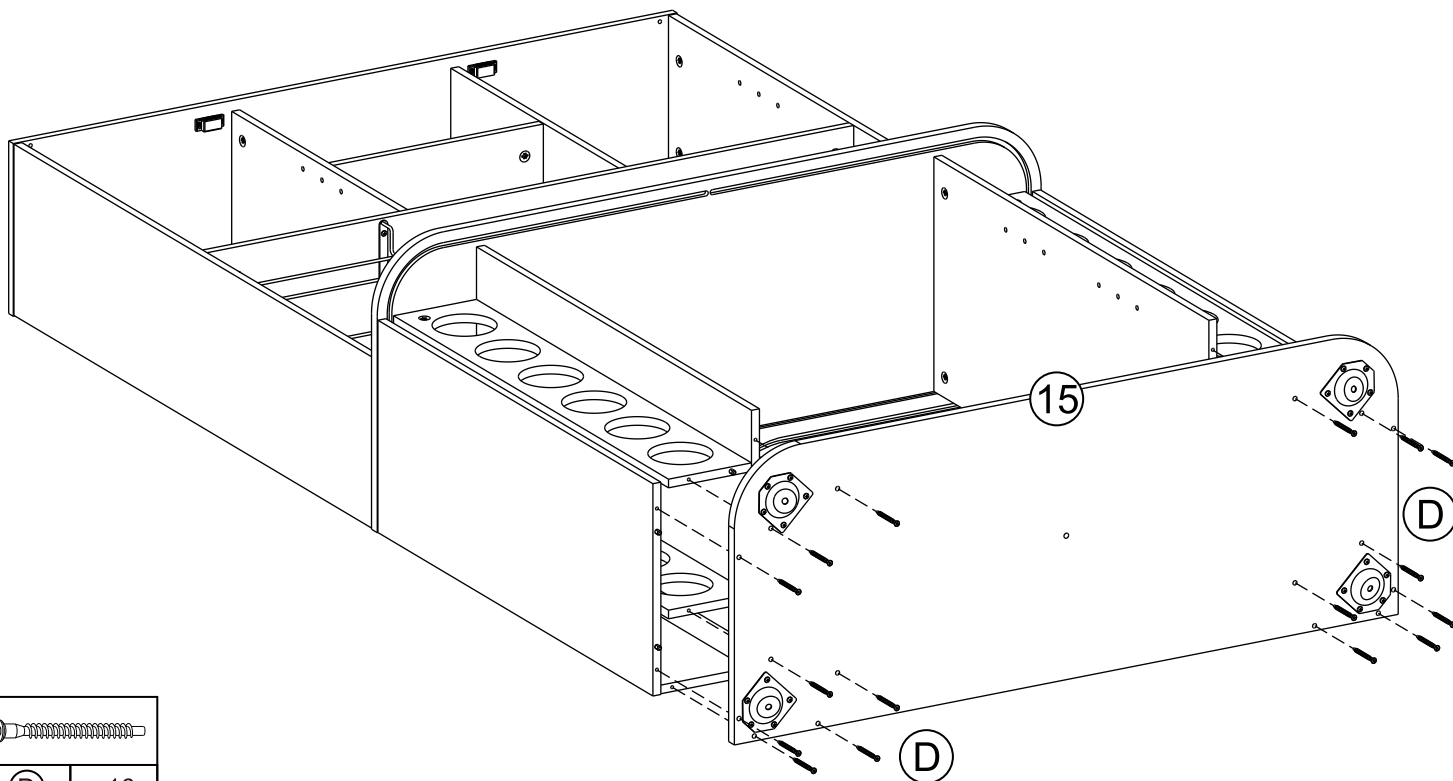


Ⓘ x20



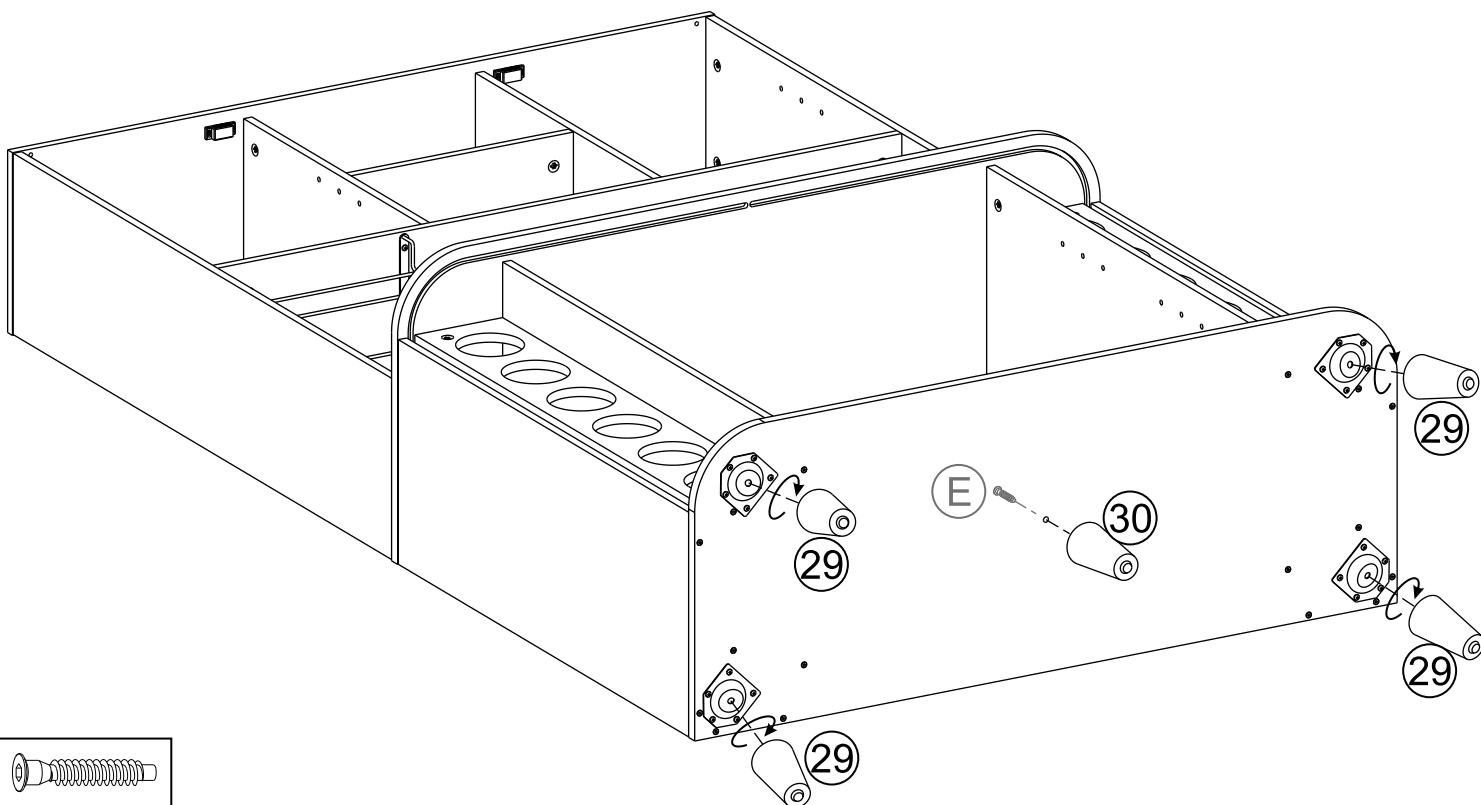
Missing parts? Or feeling stuck?
Chat with us at VIPService68@outlook.com

STEP 24 Use 16Pcs No. D screws to connect Panel No. 15 to the cabinet.



(D) x16

STEP 25 First, install No. 29 support leg on the No. 28 metal plate, then use 1Pcs No. E screw to install No. 30 support leg on Panel No. 15. This step requires a No.L Allen wrench.



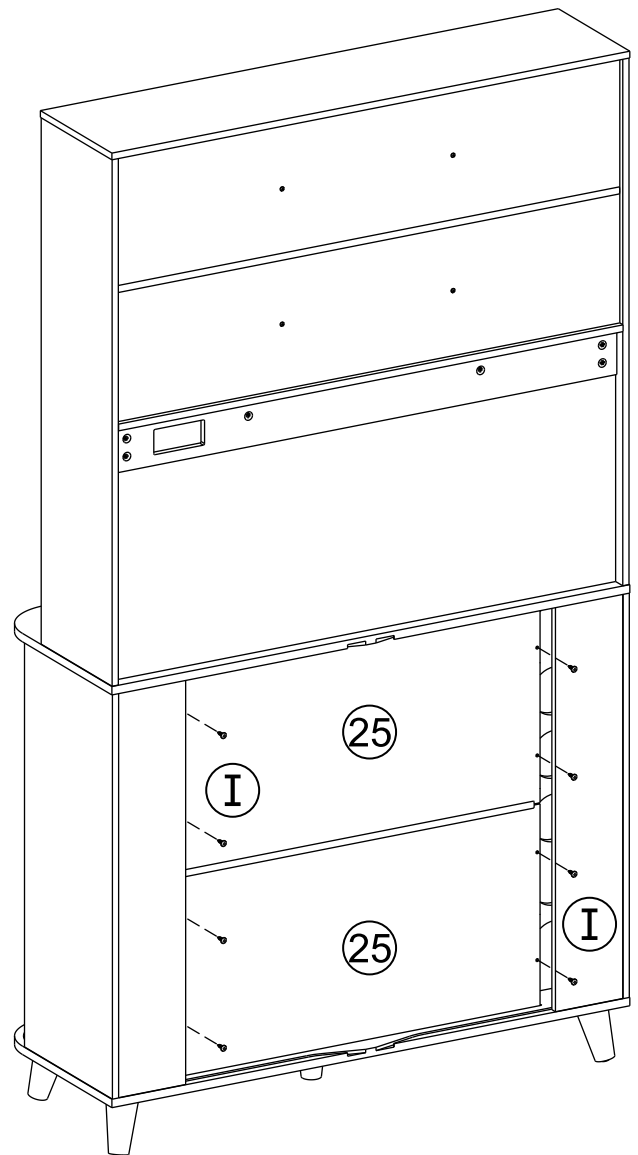
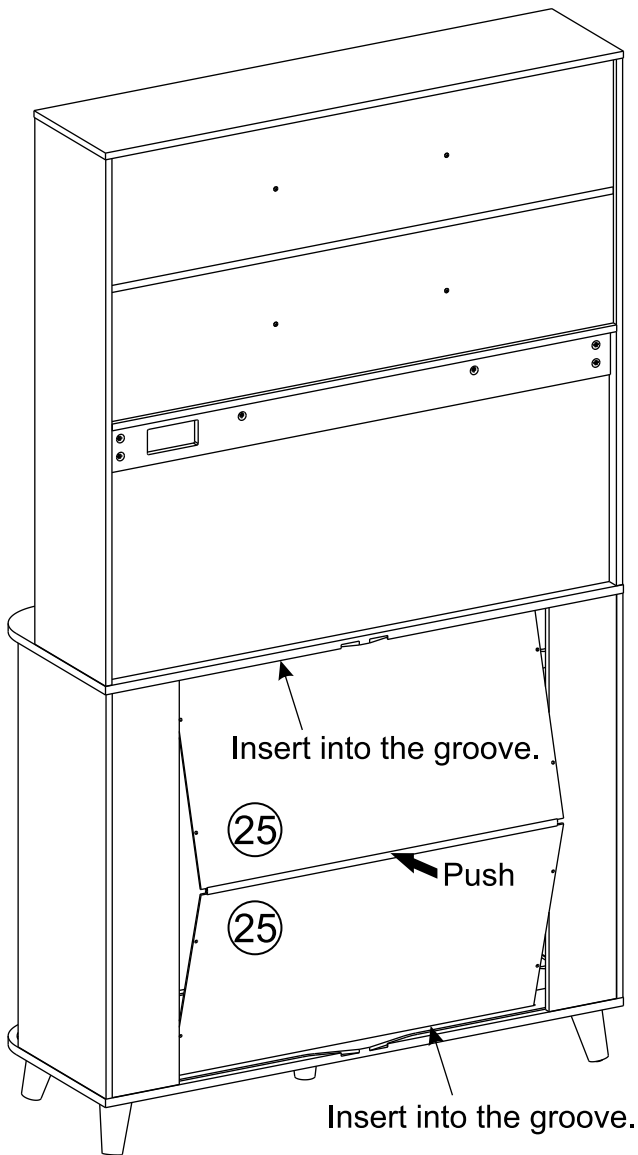
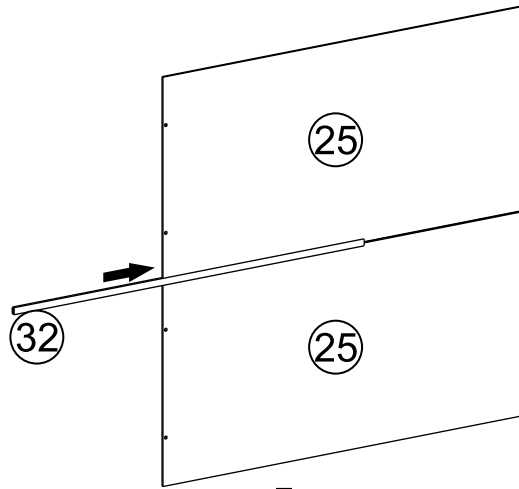
(E) x1



Missing parts? Or feeling stuck?
Chat with us at VIPService68@outlook.com

STEP 26

Insert Panel No. 25 into the grooves of Panel No. 14 and Panel No. 15, then use the No. 32 plastic card slot to secure the two Panel No. 25 pieces together, and finally use 8Pcs No. I screws to attach Panel No. 25 back panel to the cabinet.



I

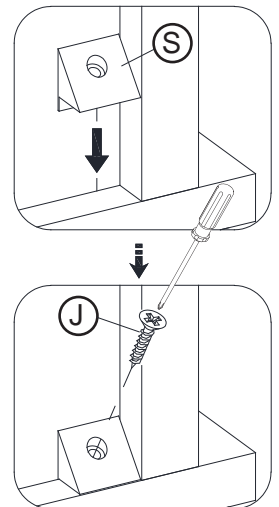
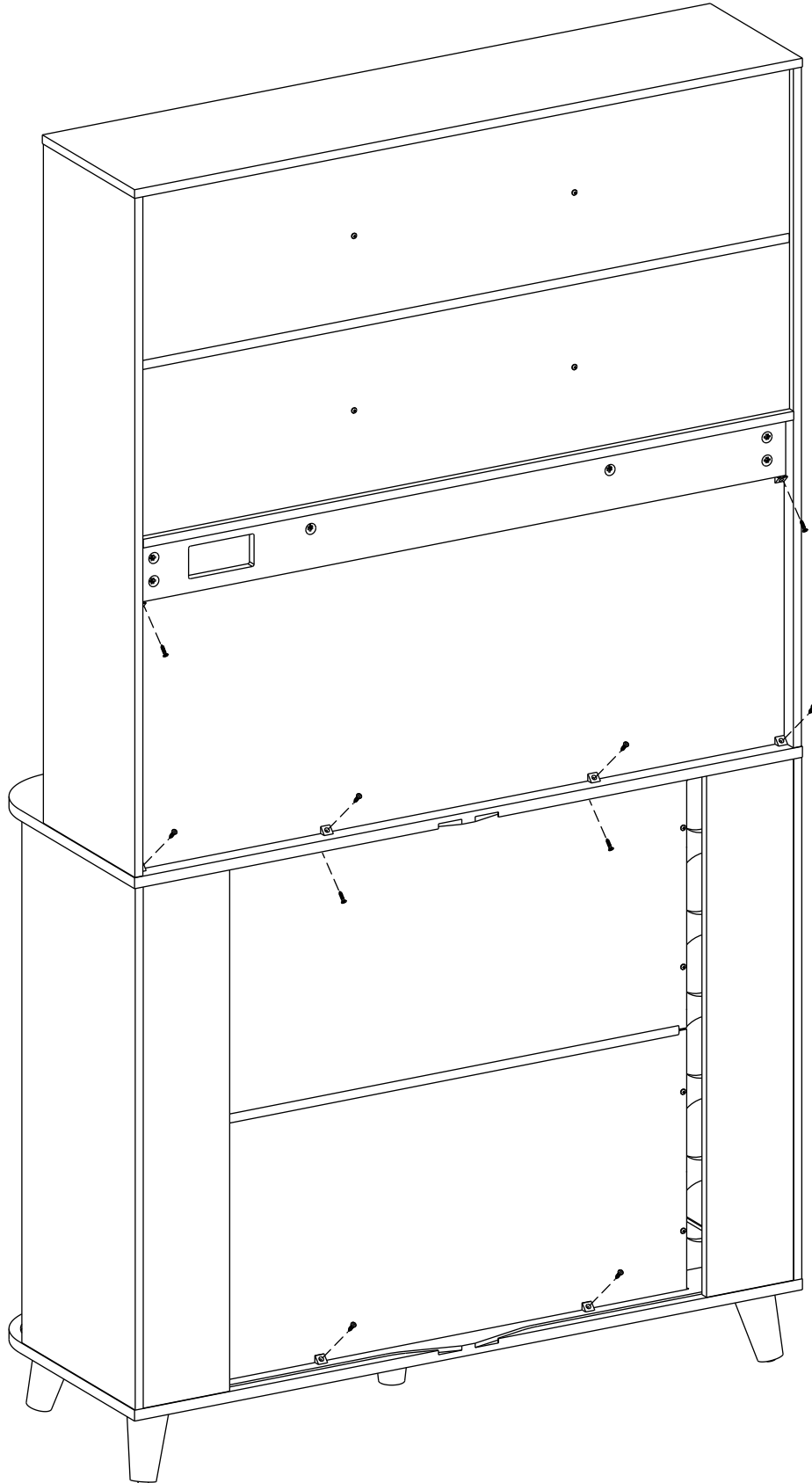
x8





Missing parts? Or feeling stuck?
Chat with us at VIPService68@outlook.com

STEP 27

Use 10Pcs No. J screws to install the No. S plastic buckles in the designated positions (as shown in the diagram; please note that there are no pre-drilled holes at these locations). Installing the plastic buckles will enhance the stability of the nightstand and help prevent wobbling.



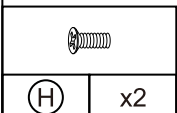
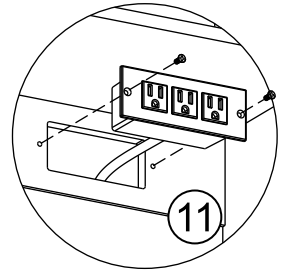
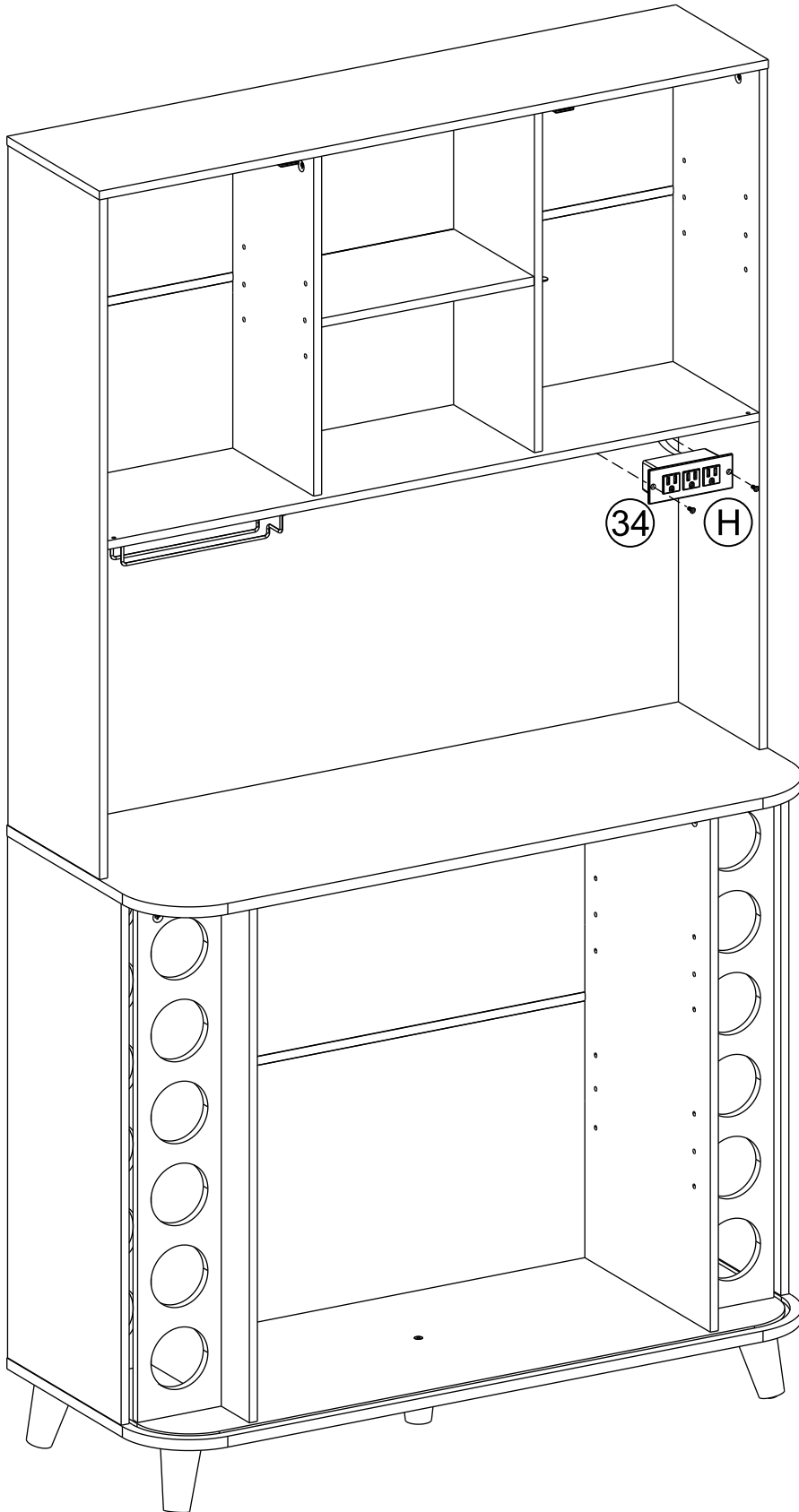
There are no pre-drilled holes at these locations

	
(J)	x10
	
(S)	x10



Missing parts? Or feeling stuck?
Chat with us at VIPService68@outlook.com

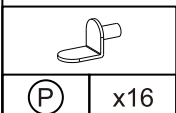
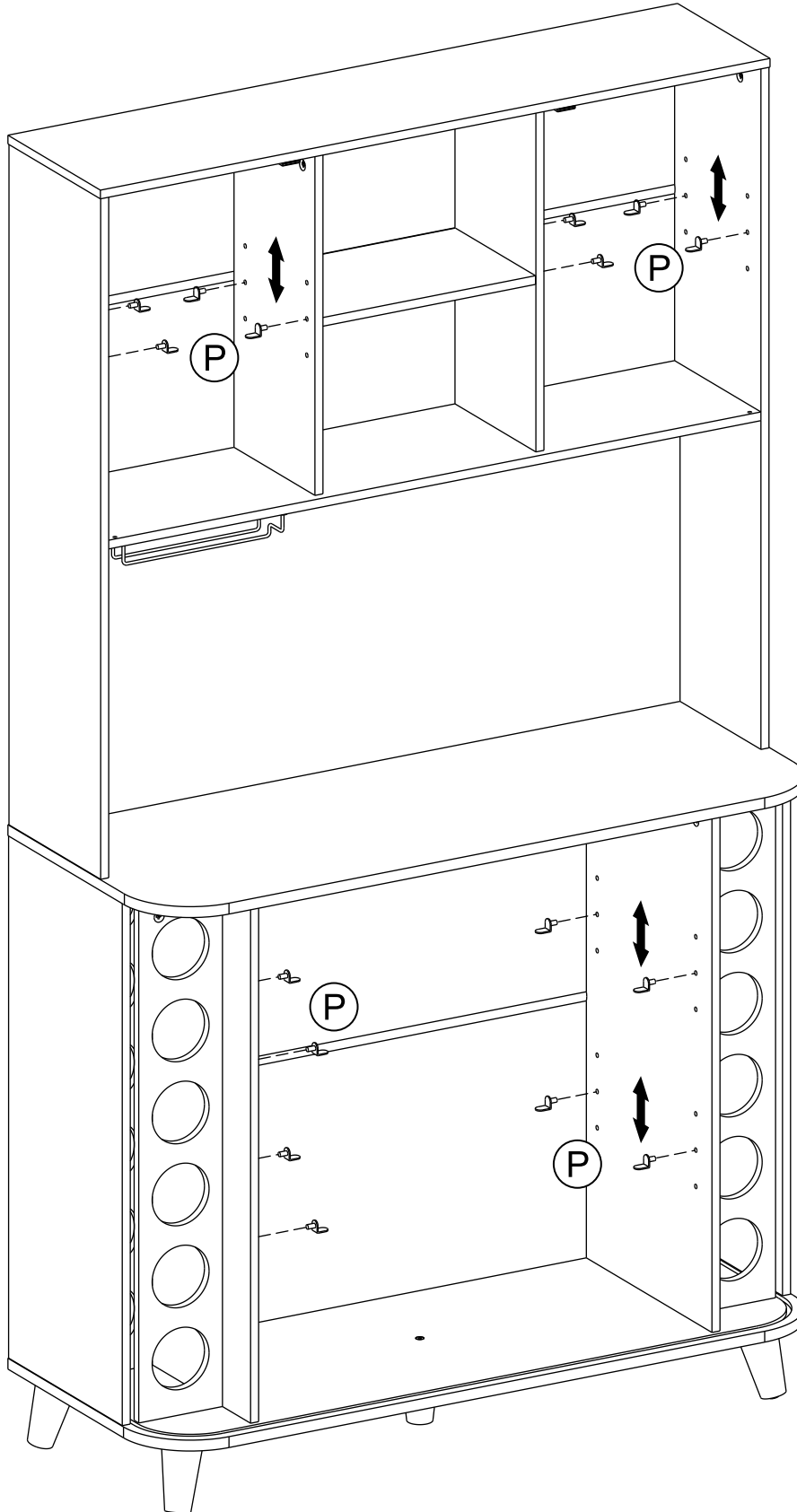
STEP 28 Use 2Pcs No. H screws to install the No. 34 socket strip onto Panel No. 11.





Missing parts? Or feeling stuck?
Chat with us at VIPService68@outlook.com

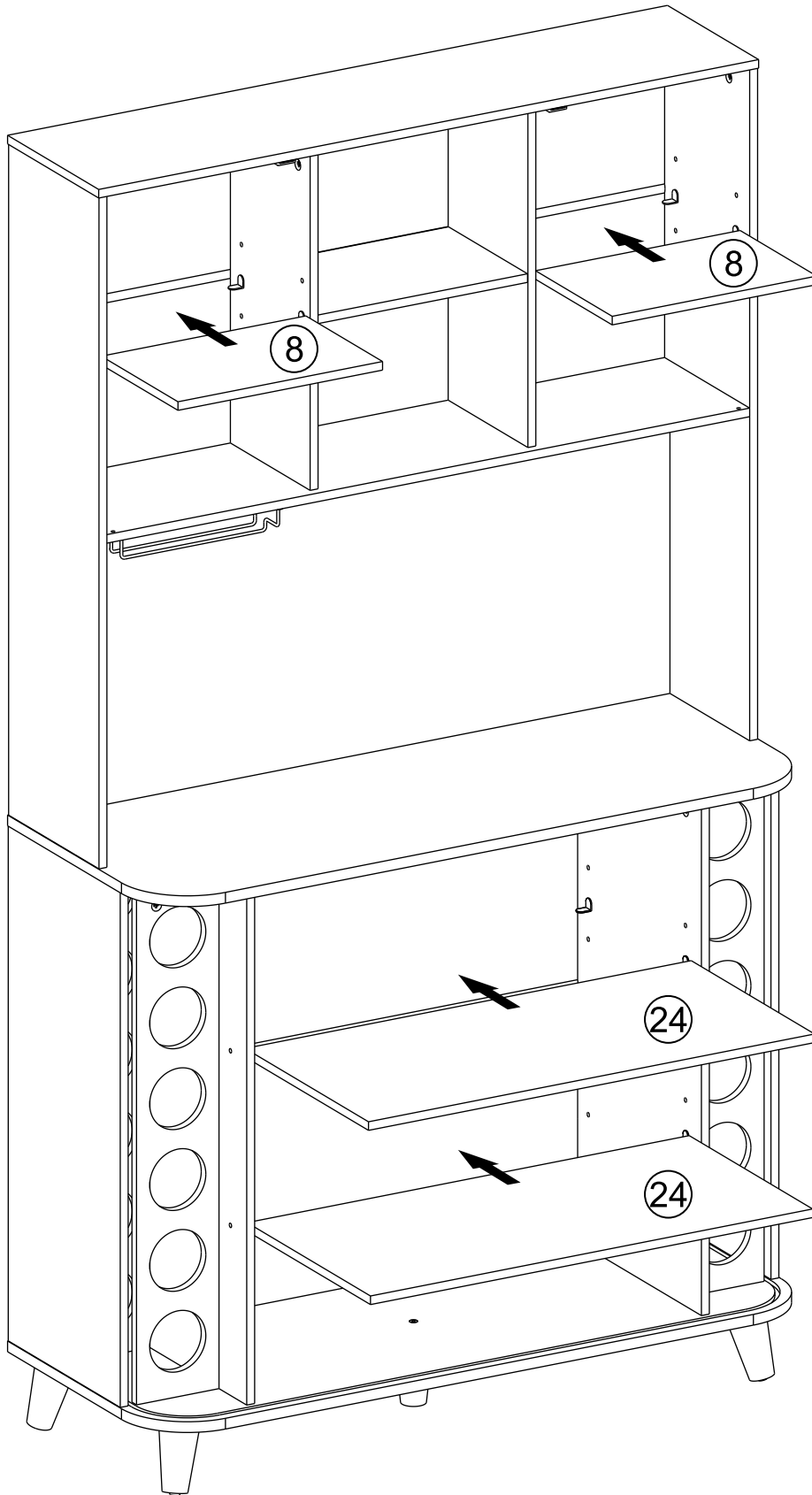
STEP 29 Insert the No. P shelf bracket into the corresponding hole of the cabinet (you can choose different hole positions according to the height of the items to be placed).





Missing parts? Or feeling stuck?
Chat with us at VIPService68@outlook.com

STEP 30 Place Panel No. 8 and Panel No. 24 onto the No. P shelf supports.

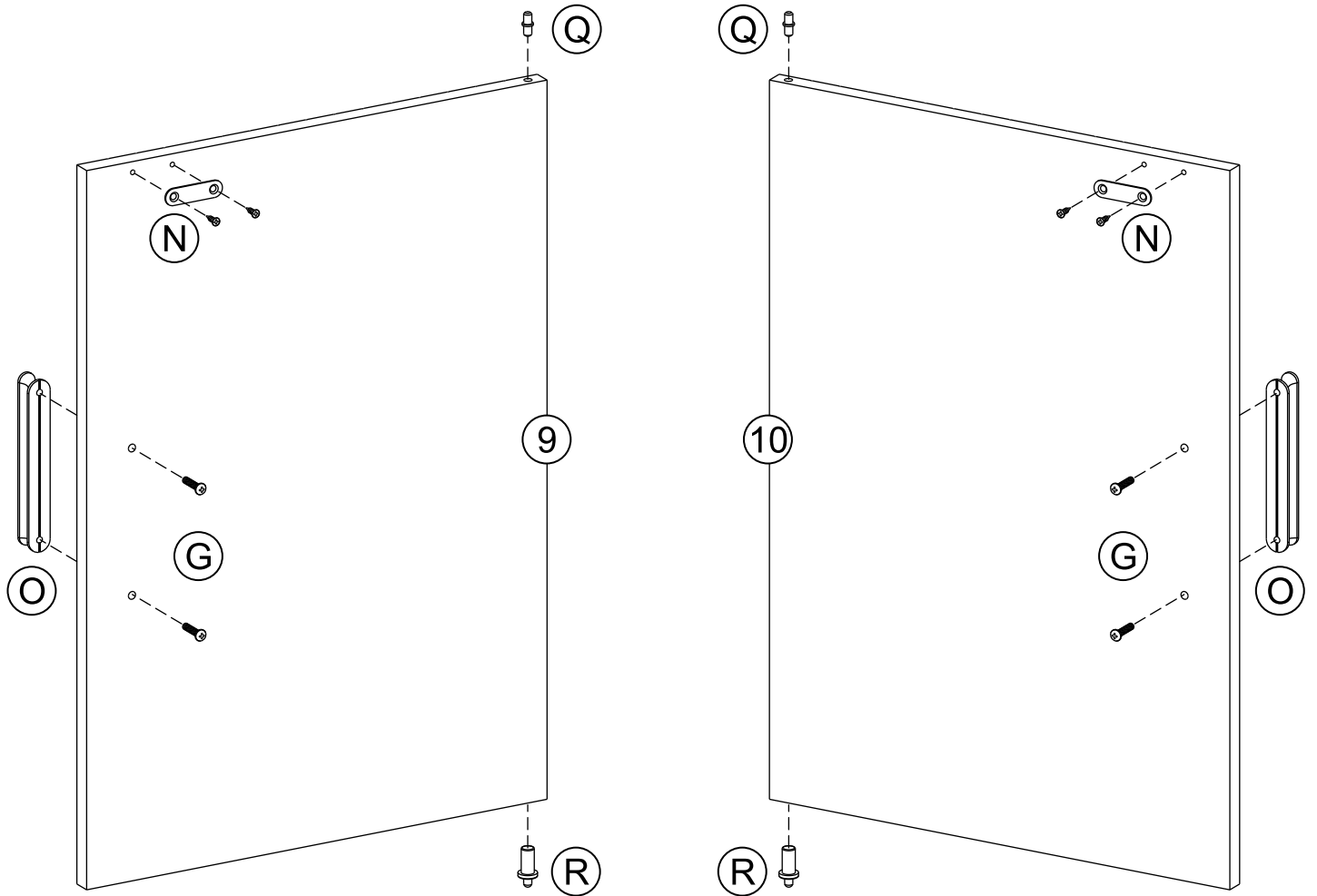




Missing parts? Or feeling stuck?
Chat with us at VIPService68@outlook.com

STEP 31

First, use 4Pcs No. G screws to install the O handle on Panel No. 9 and Panel No. 10. Then use 2Pcs screws from the No. N parts package to install the No. N metal plate on Panel No. 9 and Panel No. 10. Finally, insert the No. Q and No. R door shafts into the holes on the sides of the two panels.

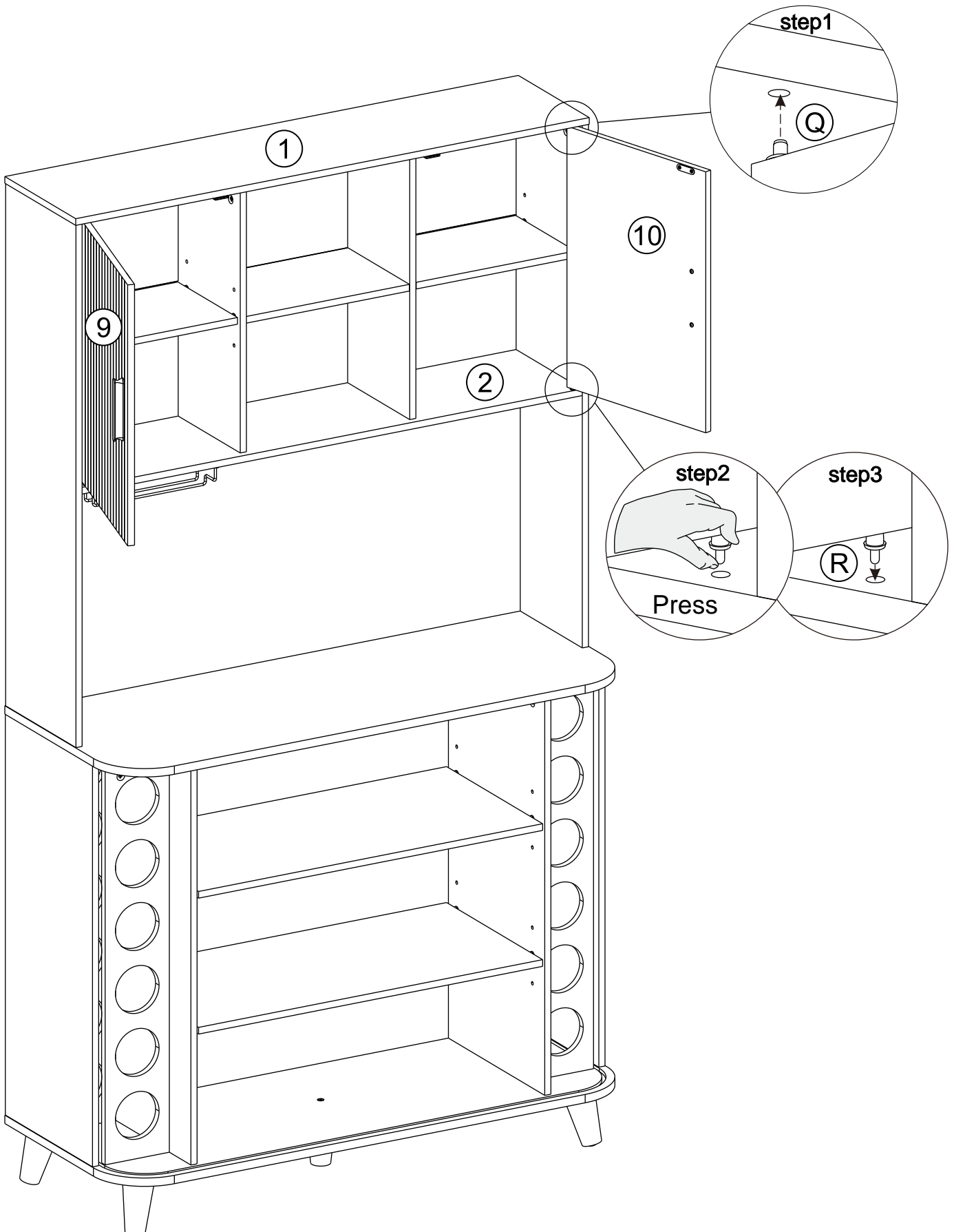


(G)	x4		
(N)	x2	(O)	x2
(Q)	x2	(R)	x2



Missing parts? Or feeling stuck?
Chat with us at VIPService68@outlook.com

STEP 32 First, insert the No. Q door shaft into the hole of Panel No. 1, then press the No. R door shaft to insert it into the hole of Panel No. 2.

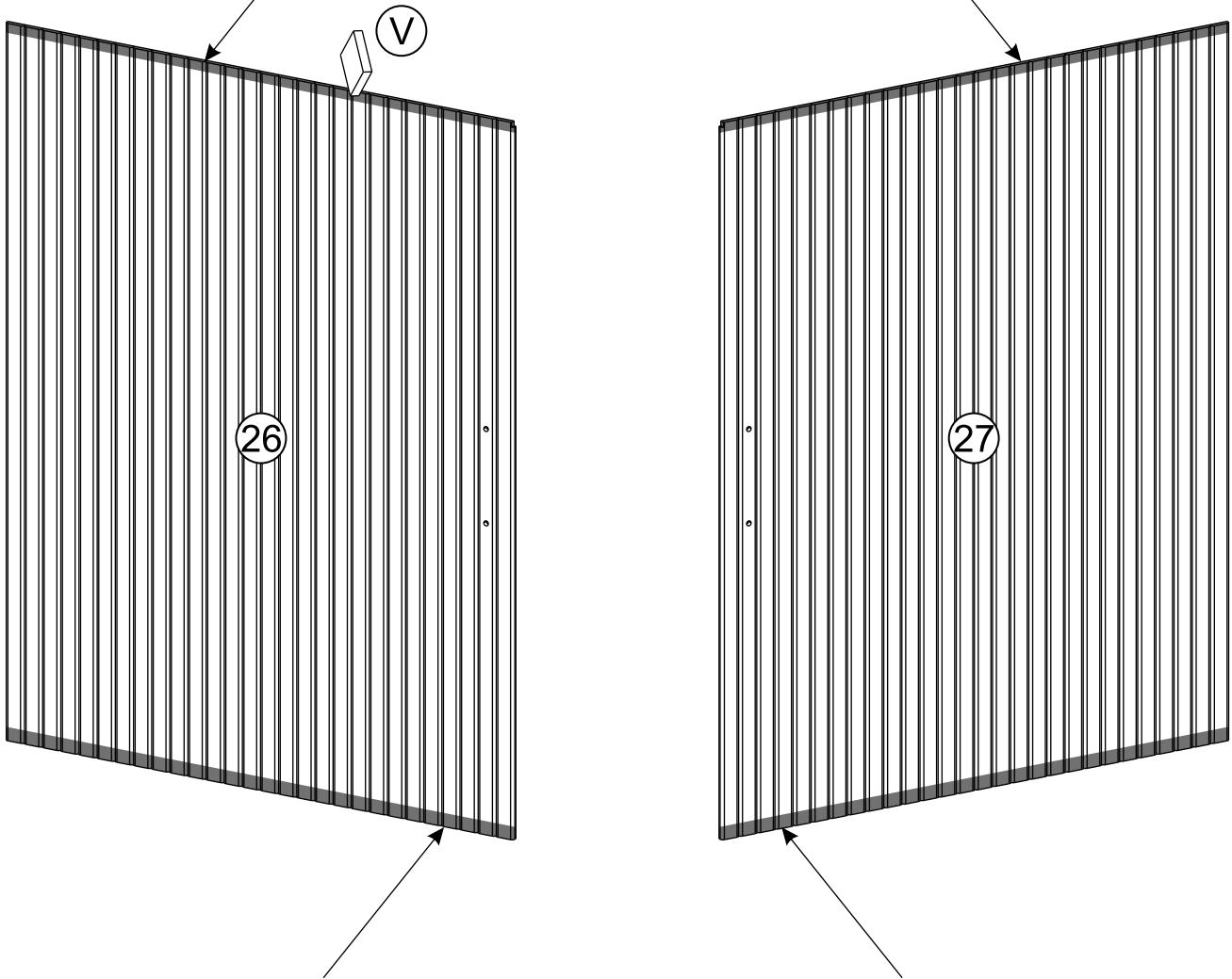




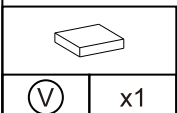
Missing parts? Or feeling stuck?
Chat with us at VIPService68@outlook.com

STEP 33 Apply wax evenly to Panels No. 26 and No. 27. This will help the doors slide more smoothly. During use, some wax flakes may come off, but this will stop after a period of time.

Apply the shaded marked area, which serves as a lubricant to facilitate subsequent installation.



Apply the shaded marked area, which serves as a lubricant to facilitate subsequent installation.

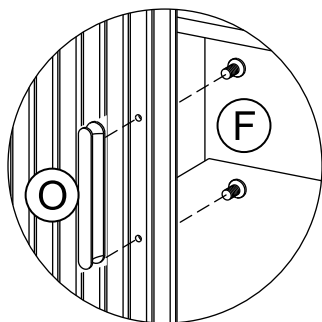
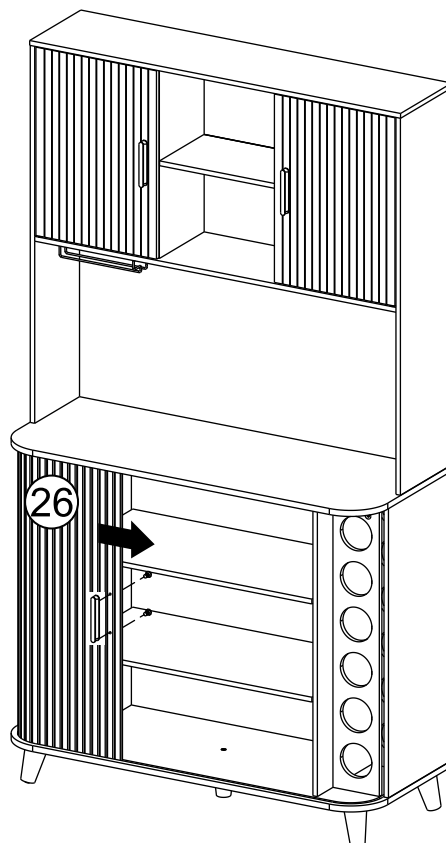
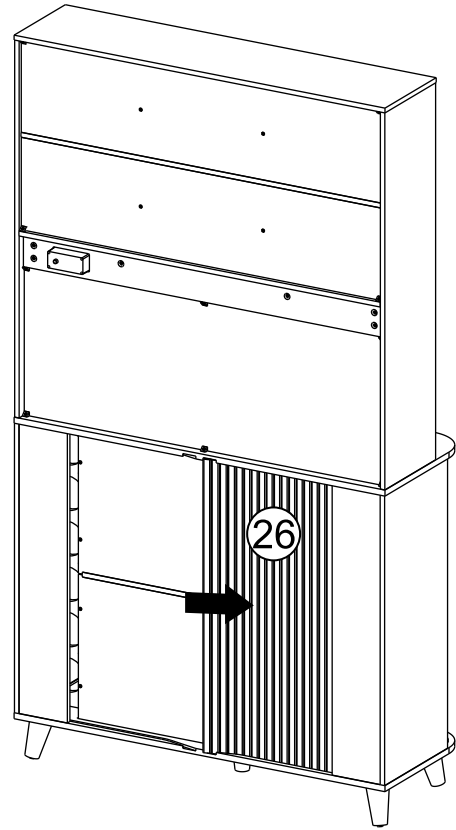
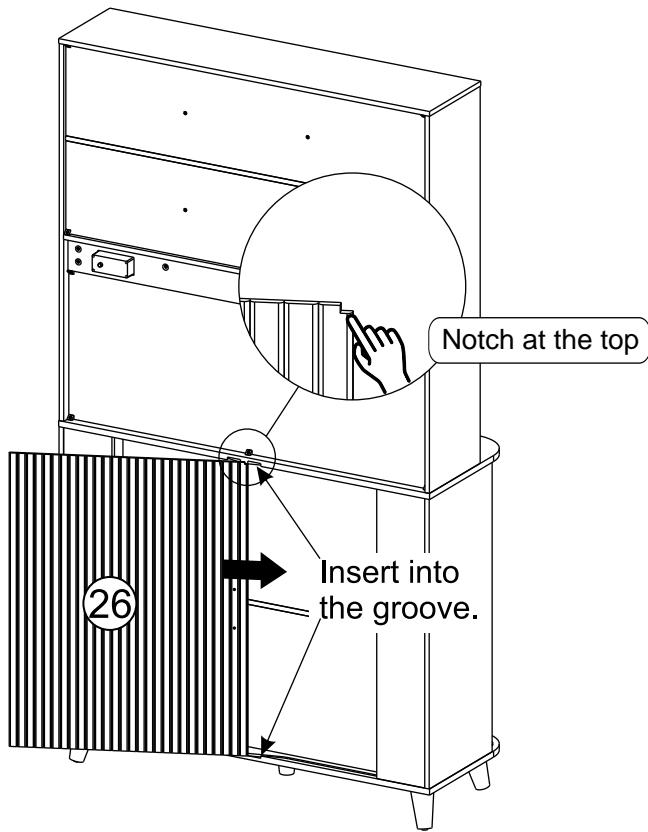




Missing parts? Or feeling stuck?
Chat with us at VIPService68@outlook.com

STEP 34

First, insert Sliding Door No. 26 through the groove at the back of the cabinet into the groove on the right side (rear view). Make sure the notched edge of Sliding Door No. 26 faces upward. Then use 2Pcs No. F screws to attach the No. O handle to Panel No. 26.



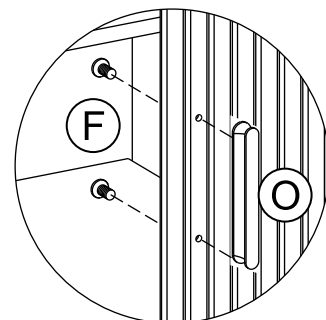
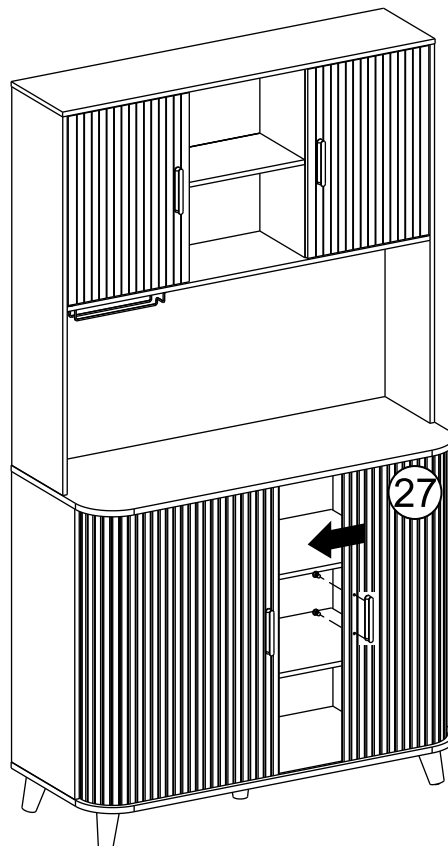
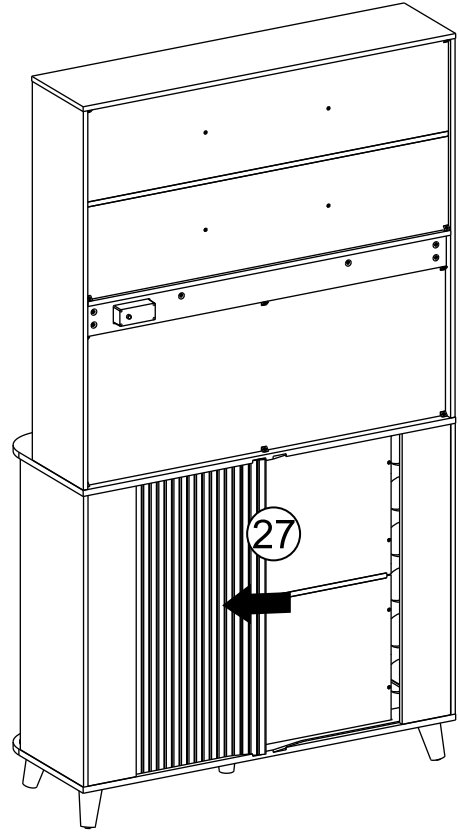
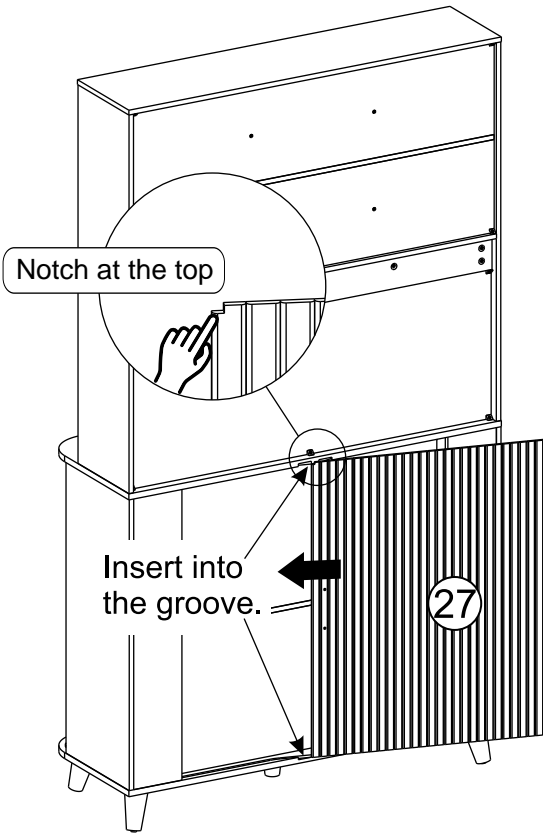
(F)	x2
(O)	x1



Missing parts? Or feeling stuck?
Chat with us at VIPService68@outlook.com

STEP 35

First, insert Sliding Door No. 27 through the groove at the back of the cabinet into the groove on the right side (rear view). Make sure the notched edge of Sliding Door No. 27 faces upward. Then use 2Pcs No. F screws to attach the No. O handle to Panel No. 27.



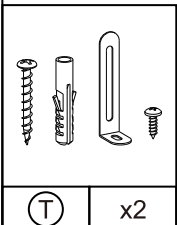
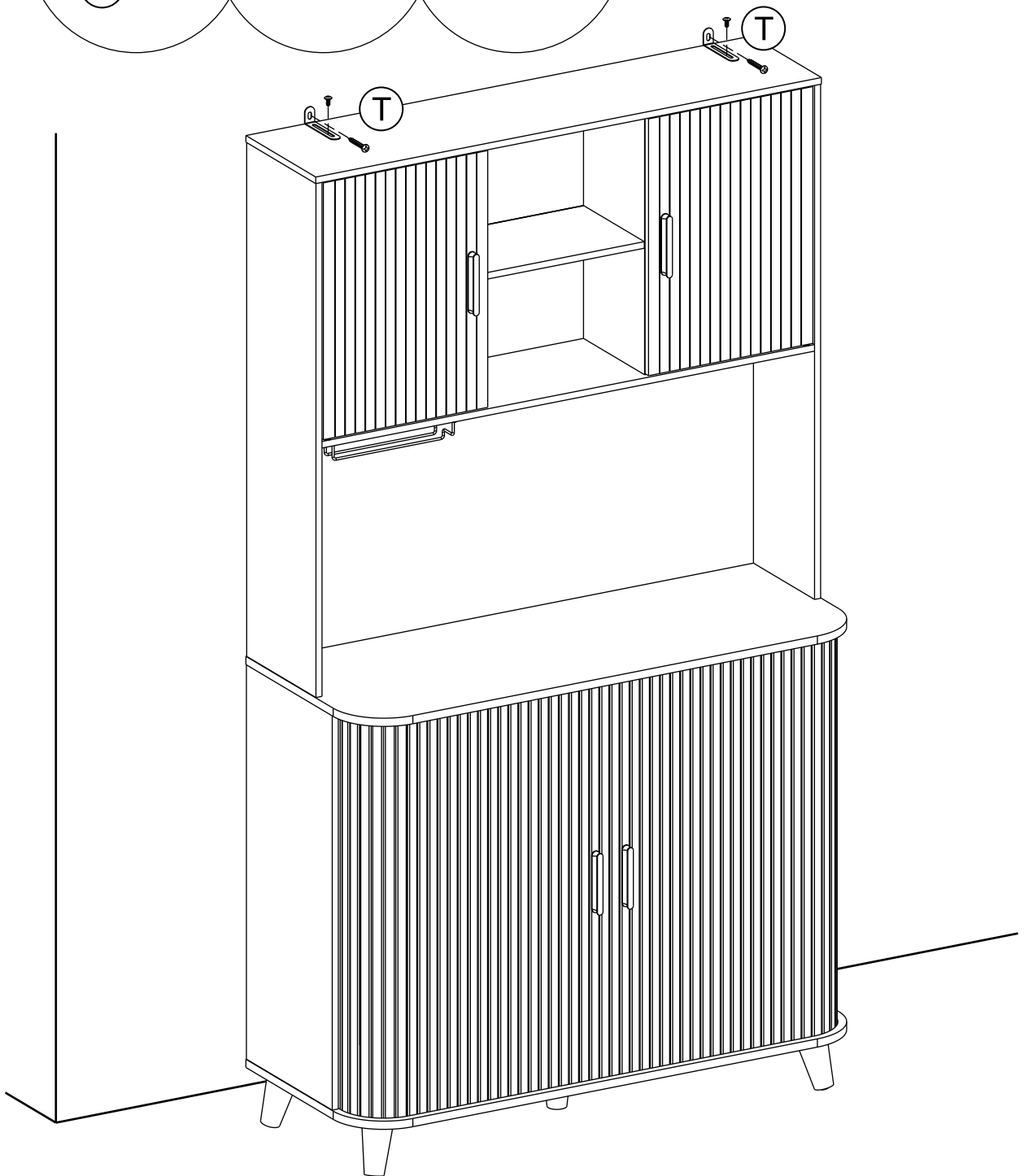
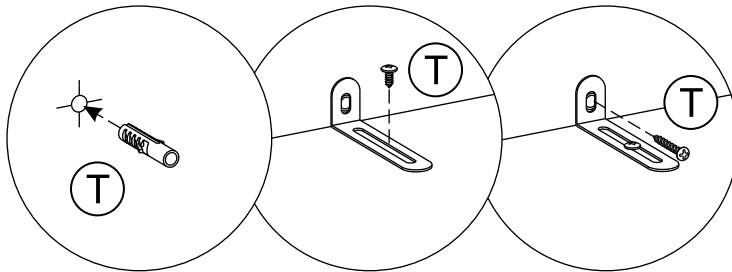
(F)	x2
(O)	x1



Missing parts? Or feeling stuck?
Chat with us at VIPService68@outlook.com

STEP 36

1. Use a tape measure to mark the wall, then drill holes that fit the product screws, insert the expansion bolt into the drilled hole.
2. Use 2Pcs No. T short screws to install the anti-tip device on the top panel.
3. Use 2Pcs No. T long screws to install the anti-tip device on the wall.

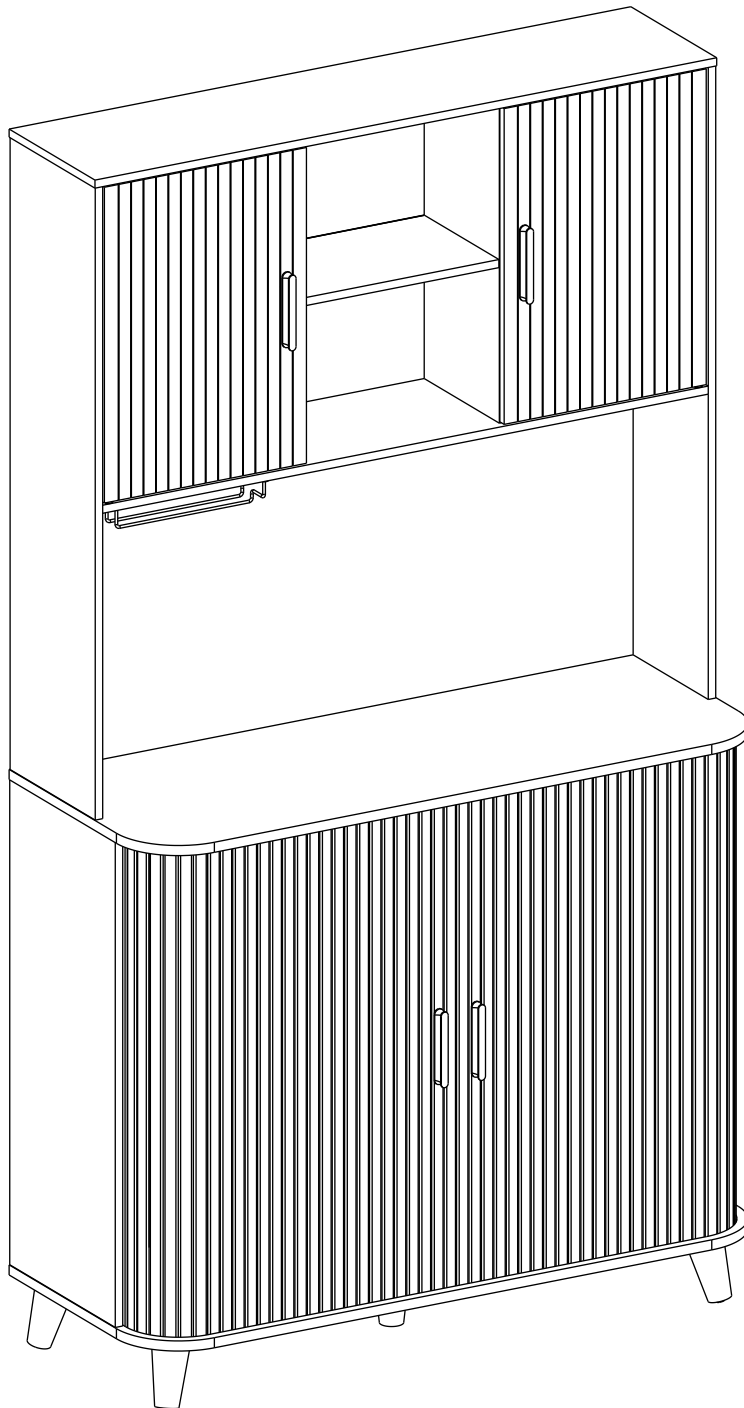




Missing parts? Or feeling stuck?
Chat with us at VIPService68@outlook.com



Wow, you assembled the Furniture incredibly well!
It looks amazing!
You really did it!
You've completed a great challenge!



Care Instructions



Your furniture, if treated with respect and love, will last you a long time. Each piece requires light maintenance to maximize its longevity.

Few quick tips before using this product

1. Recommended weight limit for the table top is 150lbs and 33lbs for each layer board.
2. The rolling shutter door may not slide smoothly at first, but it will become smoother after a period of use.
3. When storing heavier items, place them as close to the bottom layer board as possible for stability.
4. Check and tighten the camlock and screw periodically as it may loose over the time.

How to take care of it?

1. Avoid direct sunlight or use curtains or blinds to limit the sun exposure to the product.
2. Clean the product regularly with a dry, soft cloth.
3. Avoid using abrasive or liquid cleanser.
4. Avoid placing hot objects onto the table top surface.
5. Spillage may damage the surface. Clean immediately with a dry cloth.
6. We recommend using placemats or coasters underneath glasses, cups, bowls or plates to prevent scratches to the table surface.

Frequently Asked Questions



For any enquiries or issues regarding your purchase, chat with us at VIPService68@outlook.com

1. What should I do if my order is incomplete?

Our products ship flat-packed in separate boxes. When your order leaves via FedEx, you'll get an email with tracking details. Keep in mind that FedEx may deliver your boxes separately, so wait until you have them all before you start assembling. If you need help tracking your delivery, please visit aftersaleservice.net or email vipservice68@outlook.com.

2. What should I do if my shipment is damaged or items are defective?

We're really sorry if you received a damaged or defective item. Please email us at vipservice68@outlook.com or chat with us at aftersaleservice.net. Send a description and some photos or videos of the damage, and we'll sort it out as quickly as possible.

3. Can I order replacement parts?

Yes! Just get in touch with our customer service at vipservice68@outlook.com or via chat at aftersaleservice.net. Tell us your order ID, and we'll help you with the parts you need.1

4. What warranty do you offer?

Our warranty covers damage that isn't caused by user error. If your product is damaged for these reasons, keep it and send us some photos at vipservice68@outlook.com. We'll review the damage within 24 hours and work for you to find a solution.

5. Why is there lubricant on the drawer slides?

No worries! The drawer slides are lubricated at the factory to ensure smooth movement and to help them last longer. This is completely normal.

6. Why does the new furniture have an odor?

A slight smell is normal with new furniture due to the materials and packaging. It should fade away after a few days of airing out.

7. Why is there a slight color difference in my furniture?

The color may appear different under varying lighting conditions and display settings. In dim lighting, the wood grain may look darker. This is completely normal and just part of the natural characteristics of the material.

8. My furniture seems smaller than expected. What should I do?

Our product dimensions are accurate. Pictures often focus closely on the item, which can make it appear larger than it really is. When placed in a bigger room, the furniture might seem smaller. Room layout and screen settings can also affect your perception of size. If you have any concerns or need more details, please contact our customer service at aftersaleservice.net or email vipservice68@outlook.com. We're here to help!

9. What should I do if I want to return the product?

We offer a 30-day return policy from when you receive your order. To start a return, please contact us through Amazon, email vipservice68@outlook.com, or visit aftersaleservice.net. Just let us know why you're returning the item, and we'll help you out.

⚠ WARNING



Children have died from furniture tipover. To reduce the risk of furniture tipover:

- ALWAYS install Anti-tip device provided.
- NEVER put a TV on this product.
- NEVER allow children to stand, climb or hang on drawers, doors, or shelves.
- NEVER open more than one drawer at a time.
- Place heaviest items in the lowest drawers.



*This is a permanent label.
Do not remove!*