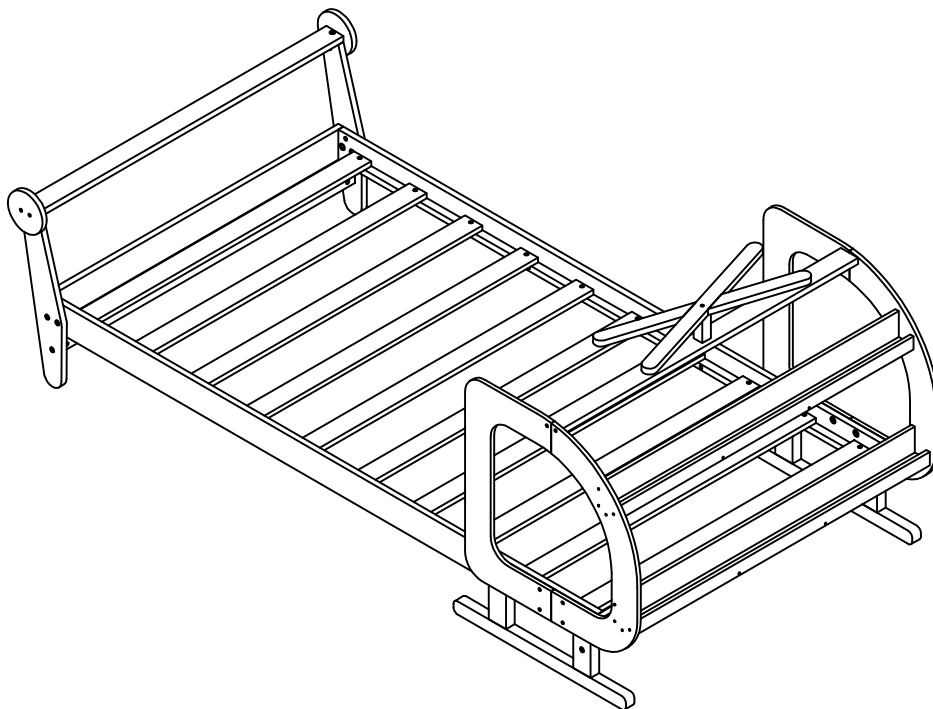


# ASSEMBLY INSTRUCTIONS

## TWINSIZE PLATFORM BED



### IMPORTANT NOTE

1. PLACE ALL PARTS ON A CLEAN AND SMOOTH SURFACE SUCH AS A RUG OR CARPET TO AVOID THE PARTS FROM BEING SCRATCHED
2. BEFORE YOU BEGIN, KINDLY FOLLOW THE ASSEMBLY INSTRUCTIONS STEP BY STEP
3. DO NOT TIGHTEN ALL SCREWS AND BOLTS UNTIL THE BED IS FULLY SET-UP



## SAFETY WARNING



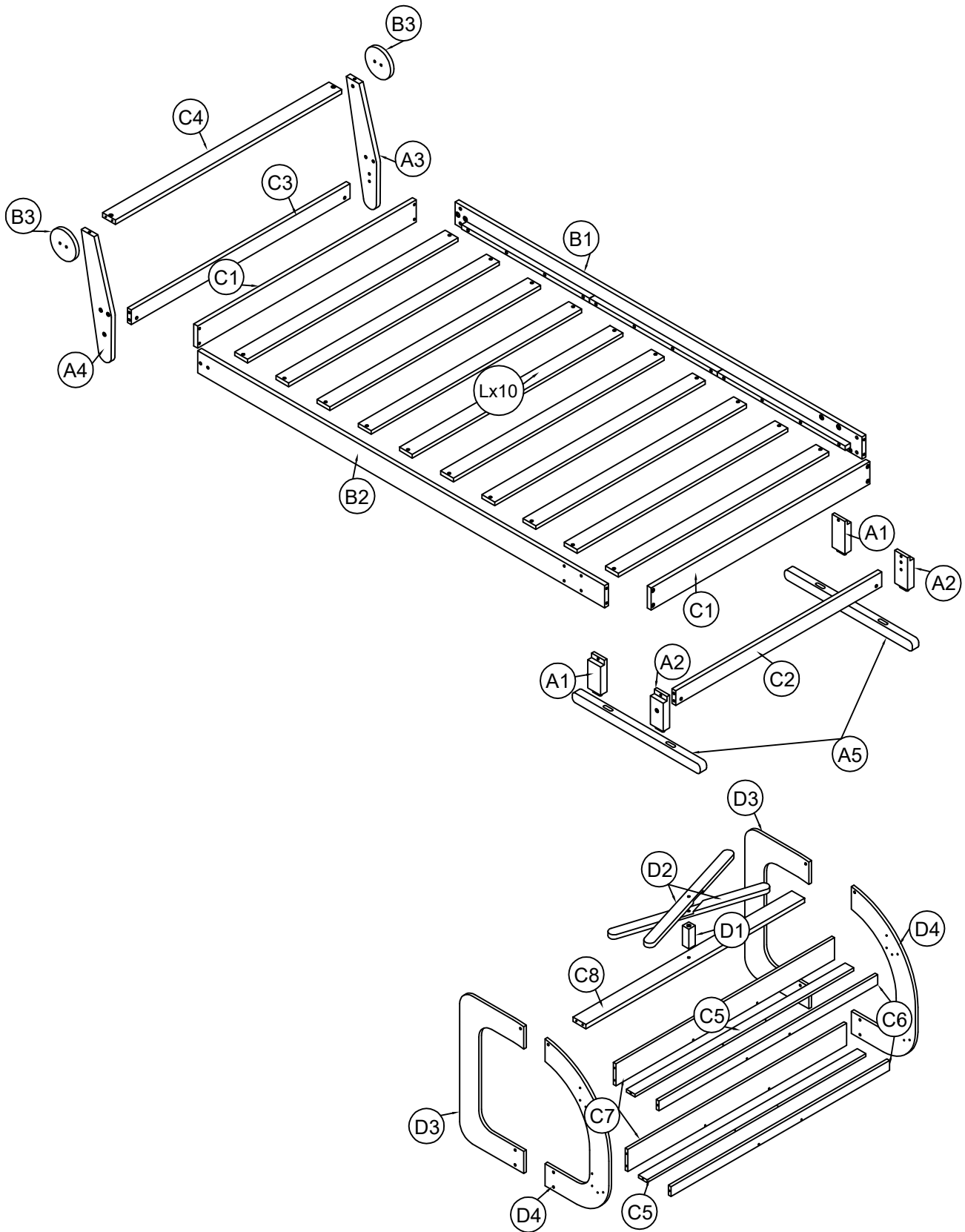
- 1 . This bed is designed for use only mattress(es) meeting the following specifications on the upper bunk , and lower bunk :

Lower bunk (bunk bed and tribed included)

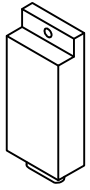
Bed type	Length	Width	Thickness
Twin standard	74" - 75"	38 ½"	8" Max

- 2 . Replacement parts, including additional guardrails, maybe obtained from any of our dealers
- 3 . Follow the information on the warnings appearing on the upper bunk bed end structure and on the carton. Do not remove warning label from bed .
- 4 . Always use the recommended size mattresses or mattress supports, or both, to help prevent the likelihood of entrapment or falls.
- 5 . Surface of mattress must be at least 5" (127mm) below the upper edge of guardrails.
- 6 . Do not allow children under 6 years of age to use the upper bunk .
- 7 . Periodically check and ensure that the guardrail, ladder, and other components are in their proper position, free from damage, and that all connectors are tight.
- 8 . Do not allow horseplay on or under the bed and prohibit jumping on the bed.
- 9 . Always use the ladder for entering and leaving the upper bunk .
10. Do not use substitute part. Contact the manufacturer or dealer for replacement part .
11. Use of a night light may provide added safety precaution for a child using the upper bunk .
12. Always use guardrails on both long sides of upper bunk. If the bunk bed will be placed next to the wall, the guardrail that runs the full length of the bed should be placed against the wall to prevent entrapment between the bed and wall.
13. The use of water or sleep flotation mattresses is prohibited.
14. STRANGULATION HAZARD - Never attach or hang items to any part of the bunk bed that are not designed for use with the bed; for example, but not limited to, hook, belts and jump ropes .
15. Keep these instruction for future reference.
16. Prohibit more than one person on upper bunk
17. We recommend assembling your bunk bed on the shipping carton to protect your floor or carpet.
18. Be certain all staples are out the box before beginning assembly on the shipping carton.

# Detail view

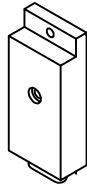


A1



Leg bed (2 pcs)

A2



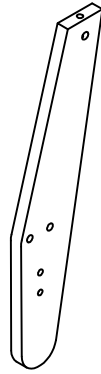
Leg bed (2 pcs)

A3



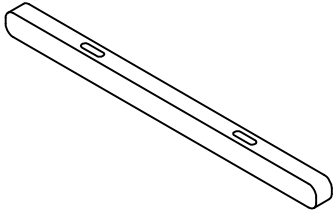
Leg bed (1 pc)

A4



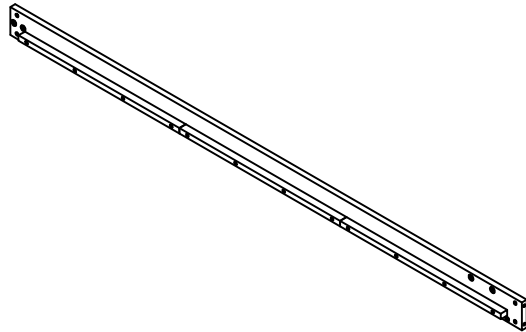
Leg bed (1 pc)

A5



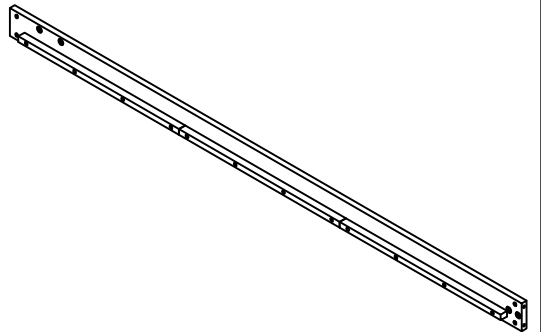
Bed foot support (2 pcs)

B1



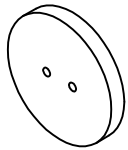
Rail - (1 pc)

B2



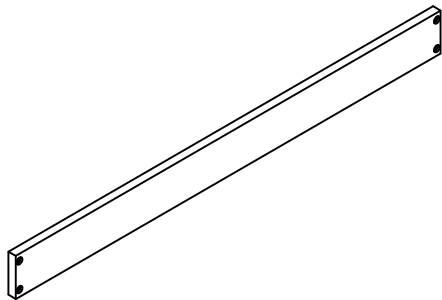
Rail - (1 pc)

B3



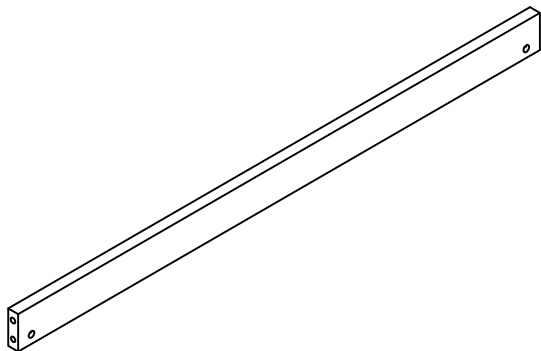
Wooden wheels (2 pcs)

C1



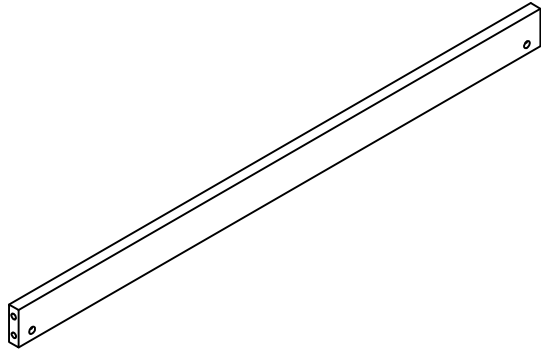
Headboard rail (2 pcs)

C2



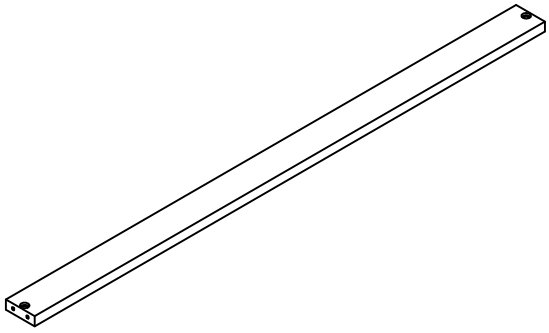
Headboard rail (1 pc)

C3



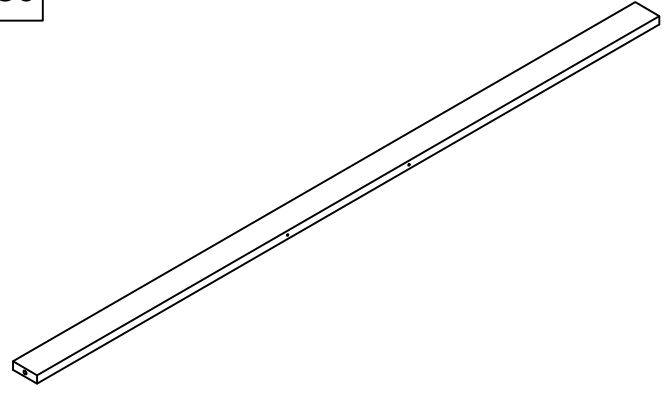
Headboard rail (1 pc)

C4



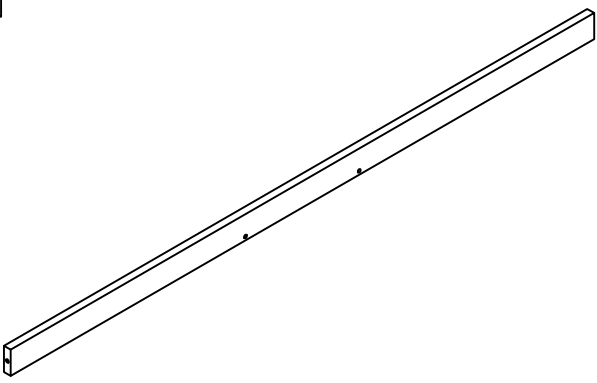
Headboard rail (1 pc)

C5



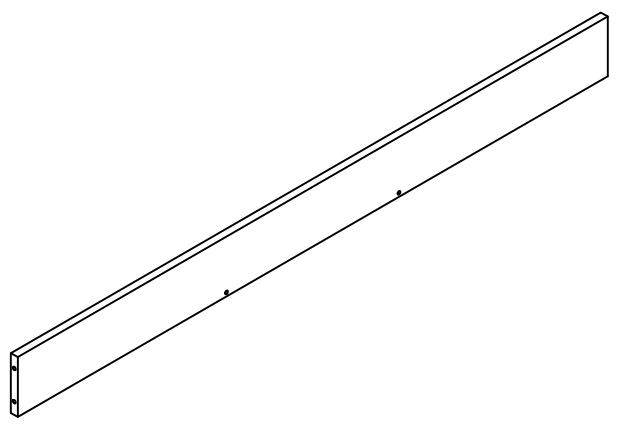
Headboard rail (2 pcs)

C6



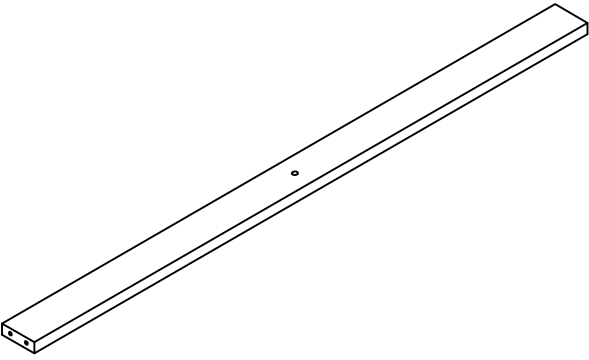
Headboard rail (2 pcs)

C7



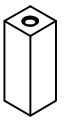
Headboard rail (2 pcs)

C8



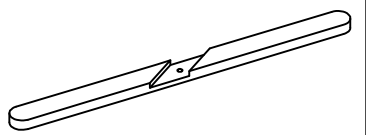
Headboard rail (1 pc)

D1



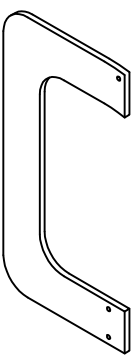
Link pillar (1 pc)

D2



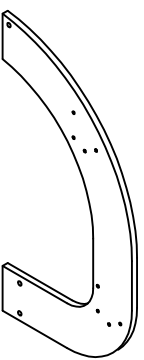
Pinwheel (2 pcs)

D3



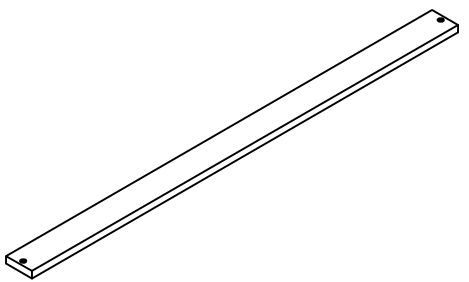
The plank - (2 pcs)

D4

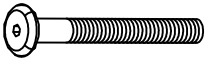
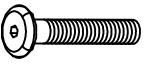
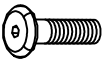
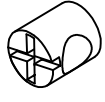

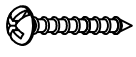

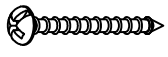

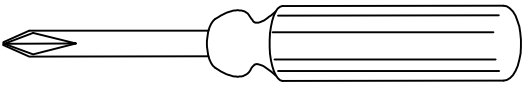


The plank - (2 pcs)

L

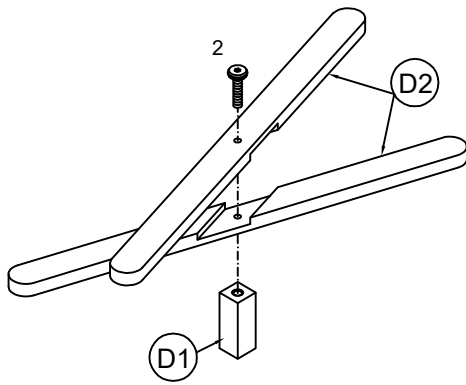


Bed slats - (10 pcs)

<p>1</p>  <p>M6 x 55 mm Hex head bolts (14)pcs</p>	<p>2</p>  <p>M6 x 30 mm Hex head bolts (14)pcs</p>	<p>3</p>  <p>M6 x 25 mm Hex head bolts (4)pcs</p>	<p>4</p>  <p>M6 x 13 mm Horizontal-hole bolt (14)pcs</p>
<p>5</p>  <p>Ø8 x 30 Wood dowel (4) pcs</p>	<p>6</p>  <p>M4 x 25 Wood screws (20) pcs</p>	<p>7</p>  <p>M6 x 60 Wood screws (16) pcs</p>	<p>8</p>  <p>M4 x 30 Wood screws (24) pcs</p>
<p>9</p>  <p>Allen key - 1 pc</p>			

Assemble tools required (Not included)

### Step1



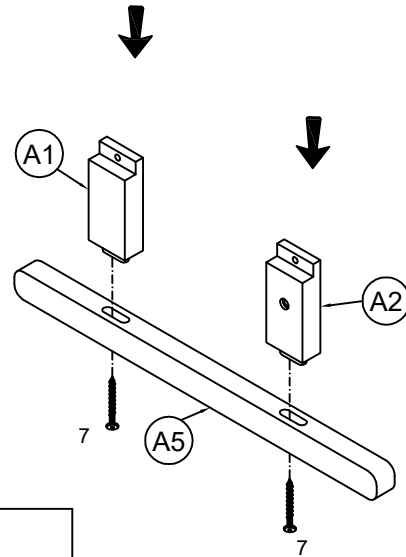
2



M6 x 30 mm  
Hex head bolts  
1 pc

### Step2

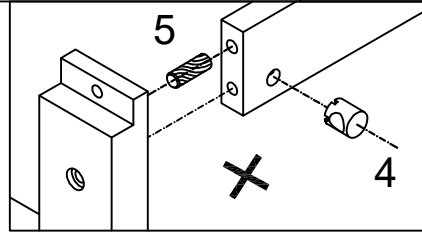
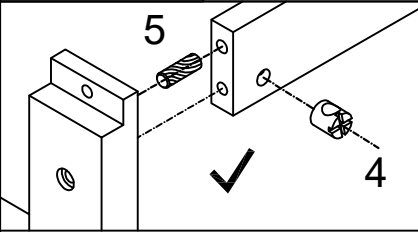
X2



7

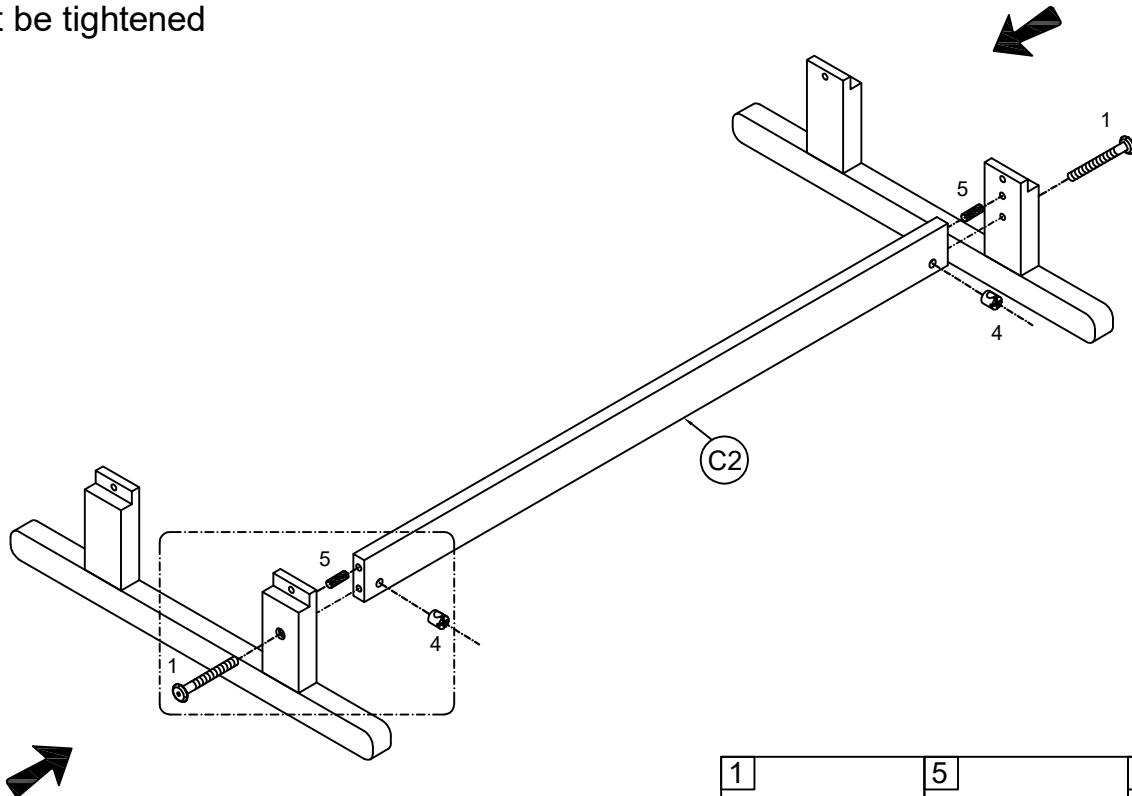


M6 x 60  
Wood screws  
4 pcs

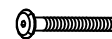


### Step3

Note: Part 4 will face up with the "x" mark on it, otherwise it cannot be tightened



1



M6 x 55 mm  
Hex head bolts  
2 pcs

5



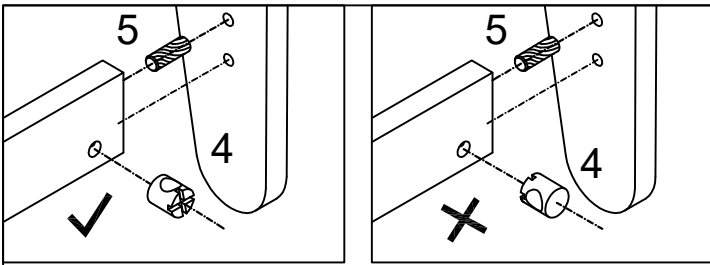
Ø8 x 30  
Wood dowel  
2 pcs

4

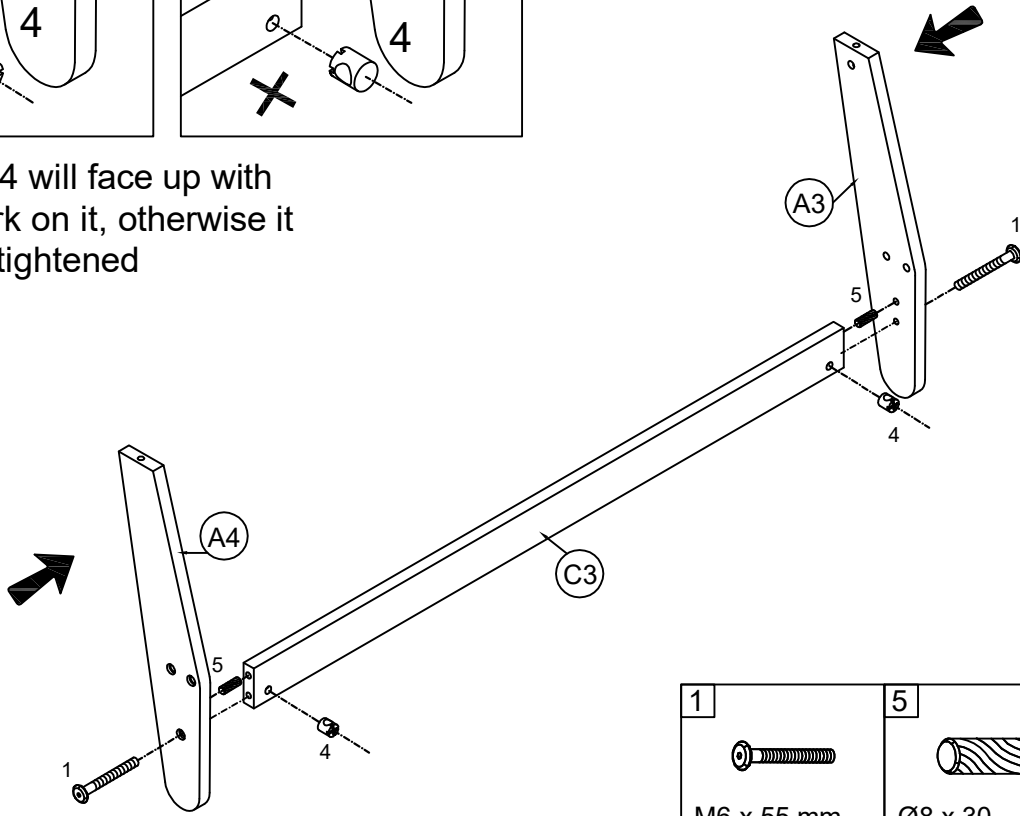




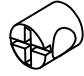
M6 x 13 mm  
Horizontal-hole  
bolt 2 pcs

# Step4

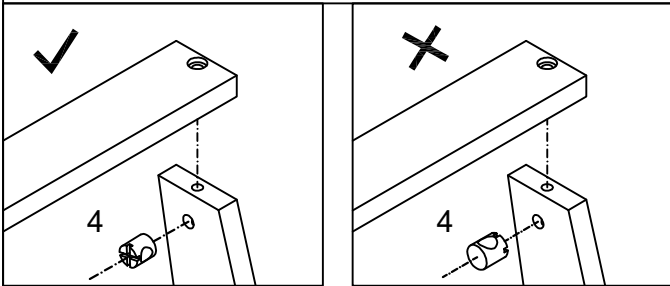


Note: Part 4 will face up with the "x" mark on it, otherwise it cannot be tightened

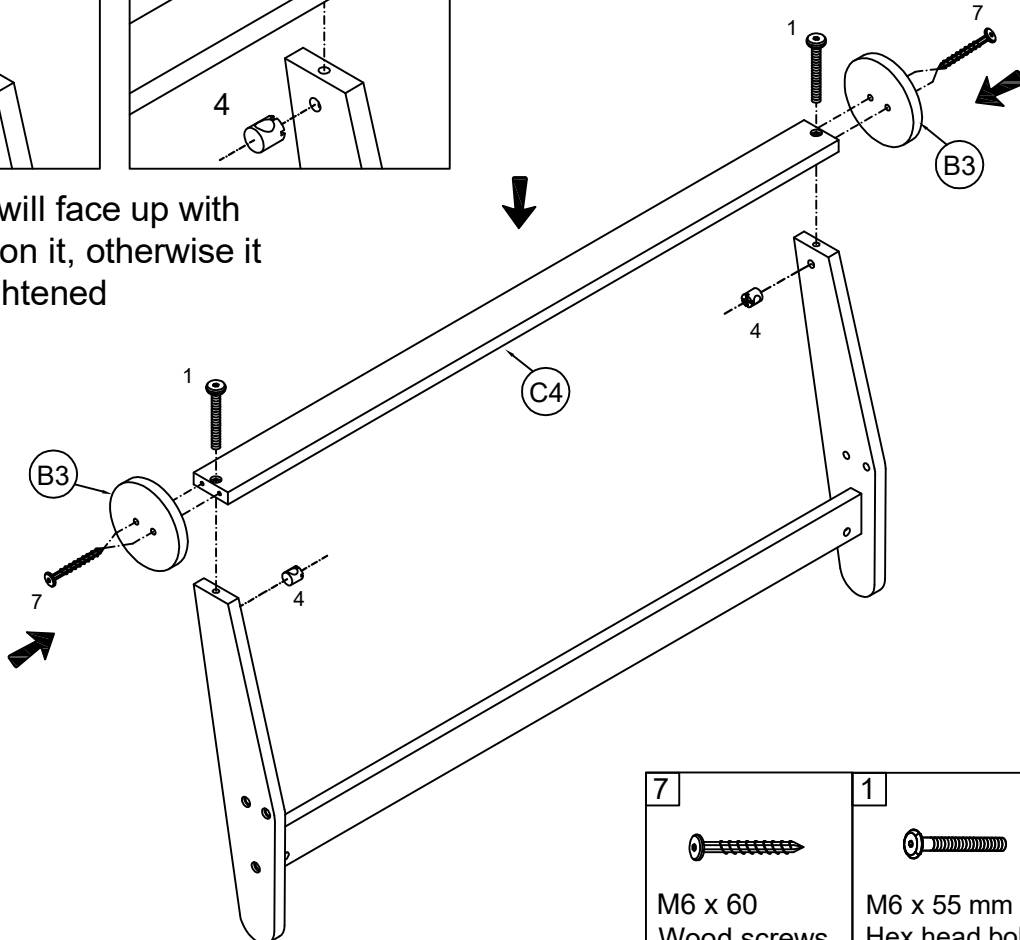


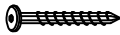


<p>1</p>  <p>M6 x 55 mm Hex head bolts 2 pcs</p>	<p>5</p>  <p>Ø8 x 30 Wood dowel 2 pcs</p>	<p>4</p>  <p>M6 x 13 mm Horizontal-hole bolt 2 pcs</p>
--	--	---

# Step5

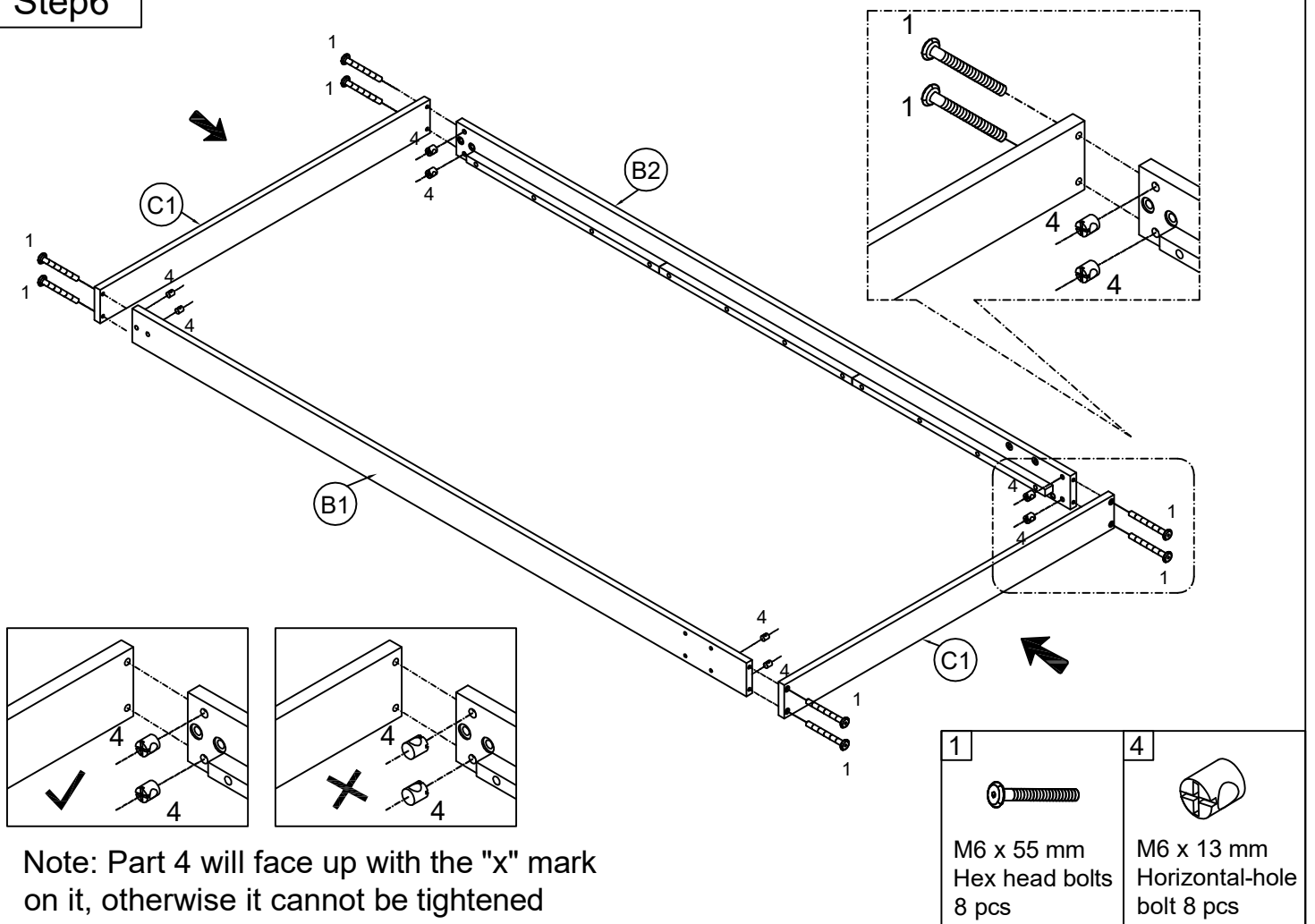


Note: Part 4 will face up with the "x" mark on it, otherwise it cannot be tightened

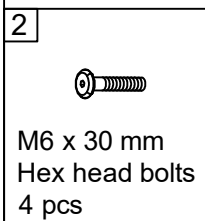
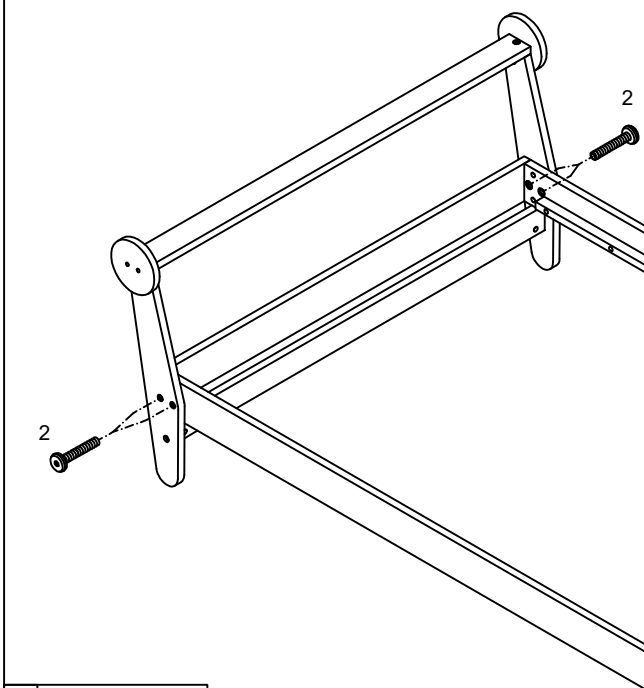


<p>7</p>  <p>M6 x 60 Wood screws 4 pcs</p>	<p>1</p>  <p>M6 x 55 mm Hex head bolts 2 pcs</p>	<p>4</p>  <p>M6 x 13 mm Horizontal-hole bolt 2 pcs</p>
--	---	---

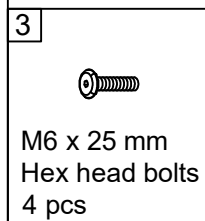
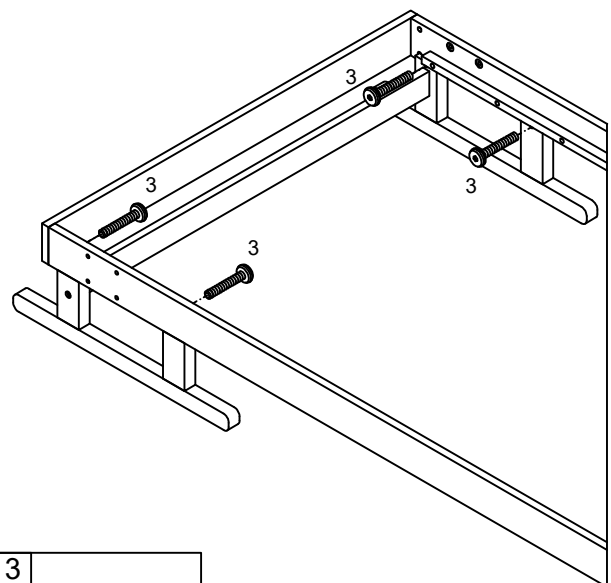
## Step6



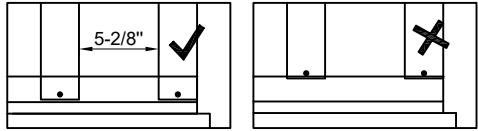
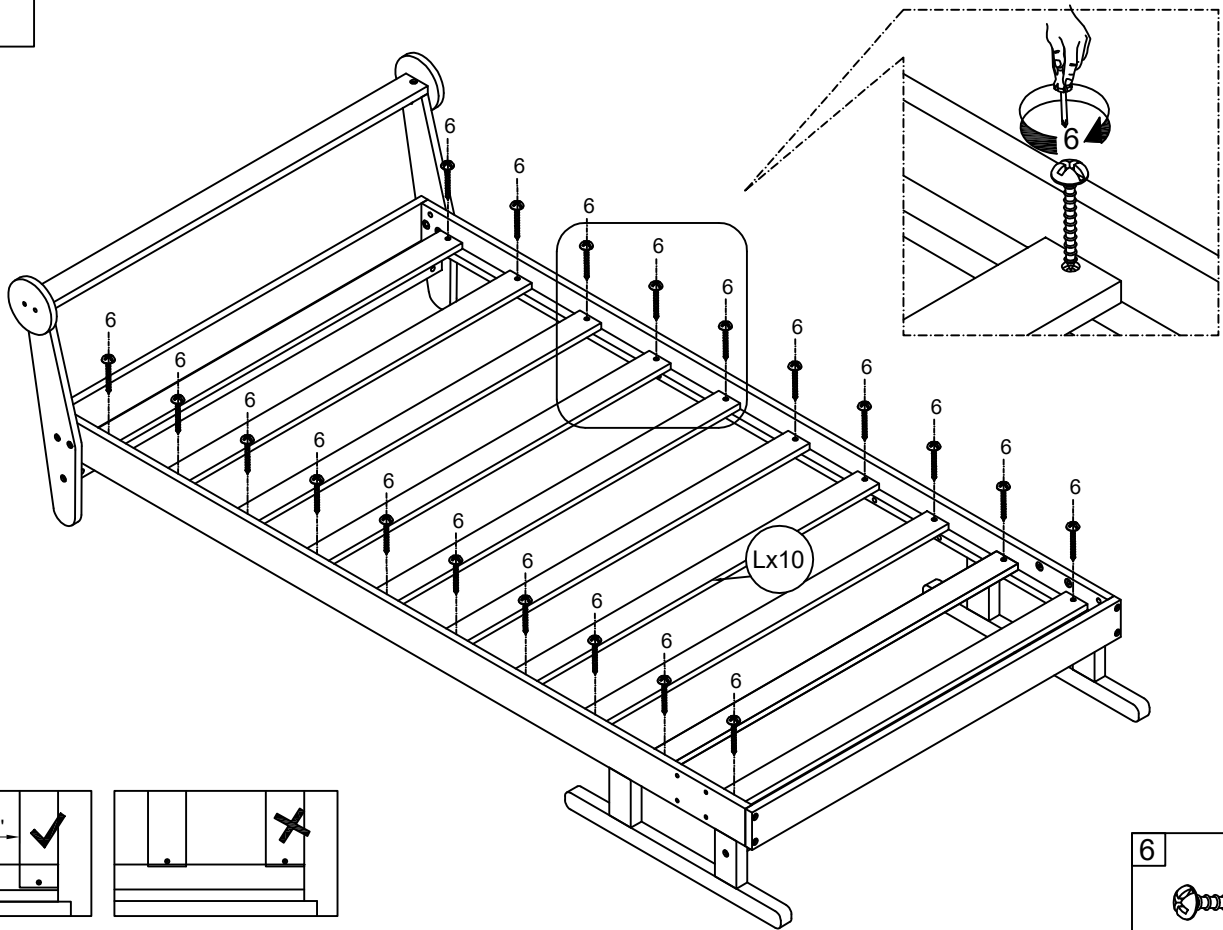
## Step7



## Step8

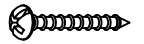


# Step9



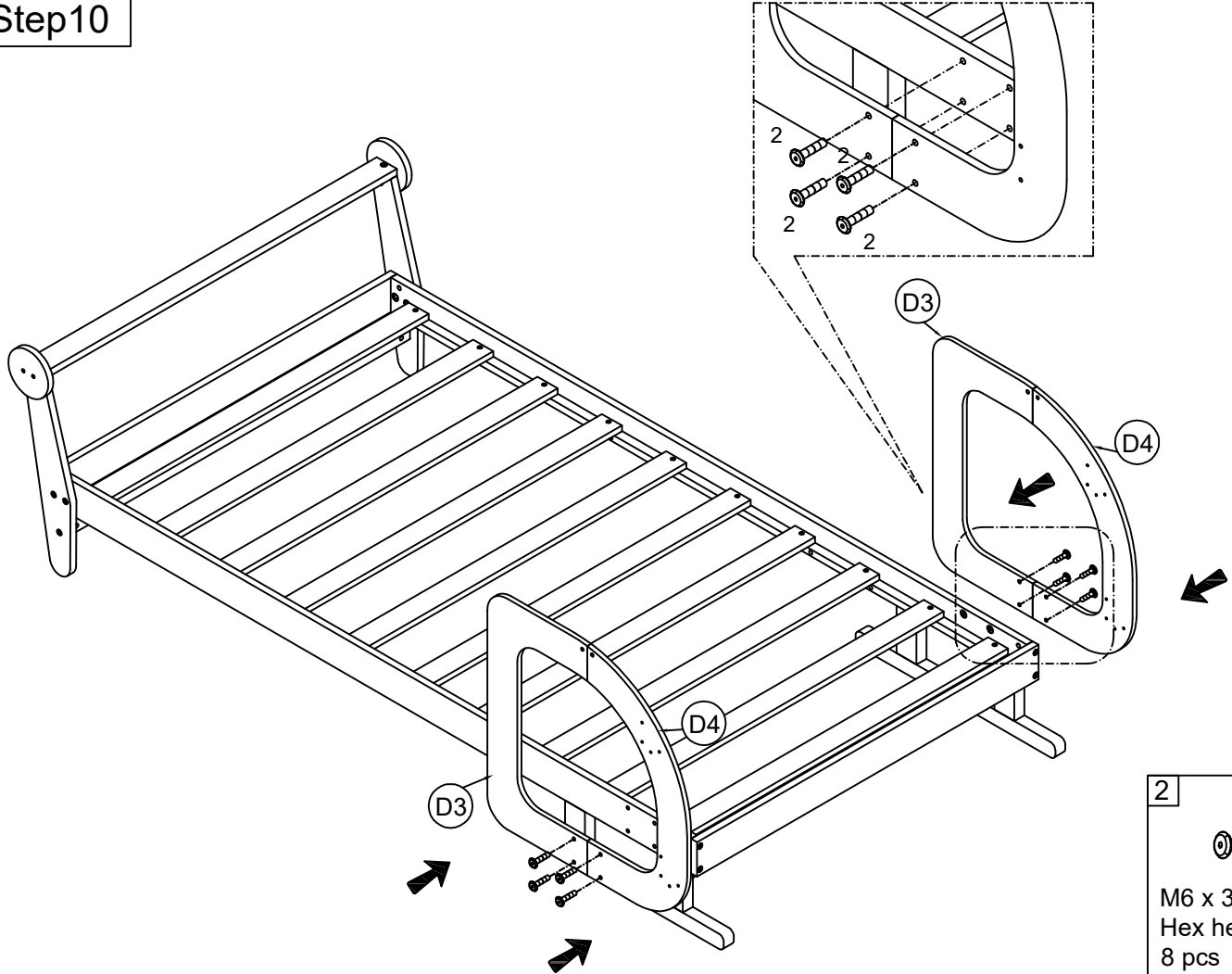
Note: Do not lock the screws of the trundle slats to the outermost edge of the trundle slats, you need to leave a certain space at the edges, otherwise it will cause the board to break

6



M4 x 25  
Wood screws  
20 pcs

# Step10



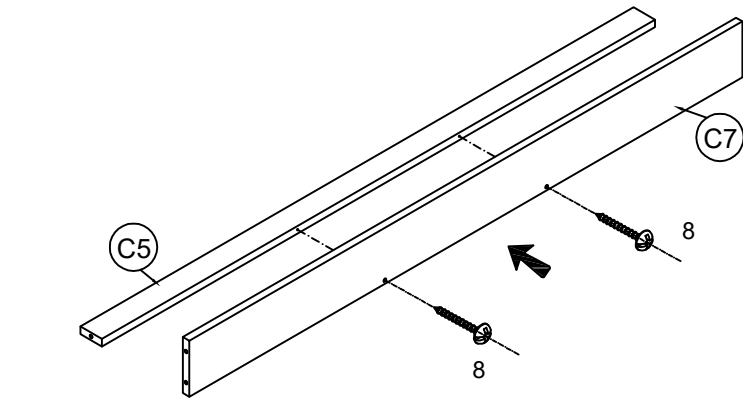
2



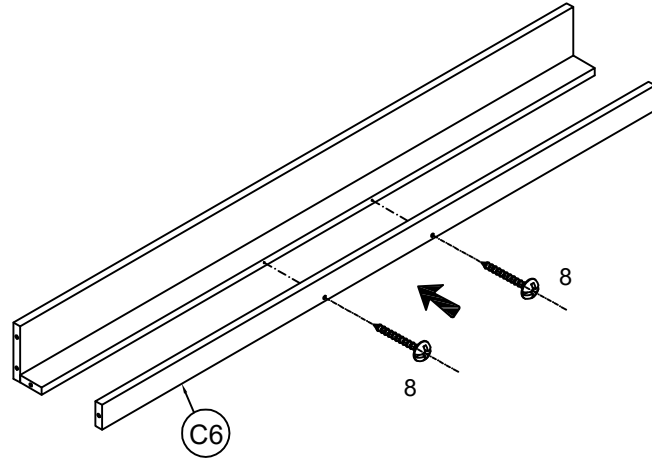
M6 x 30 mm  
Hex head bolts  
8 pcs

# Step11

X2

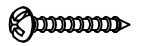


STEP11.1



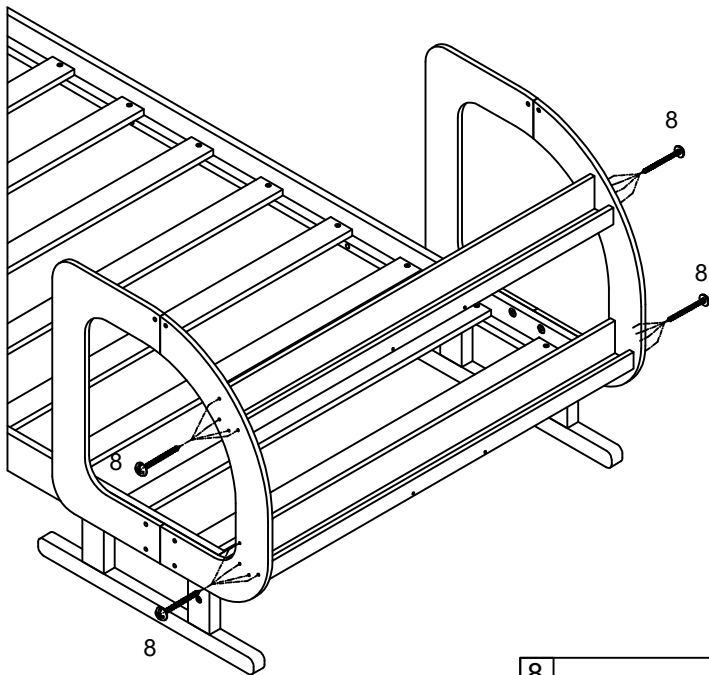
STEP11.2

8

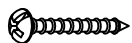


M4 x 30  
Wood screws  
8 pcs

# Step12

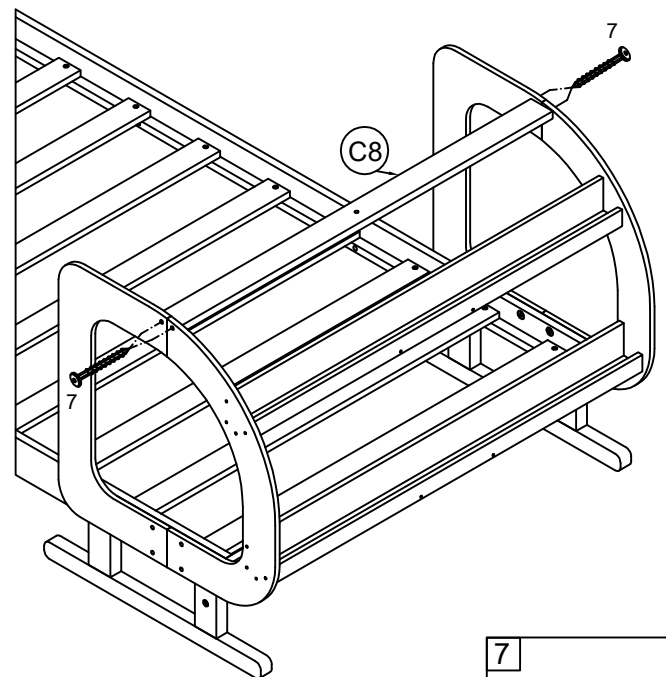


8

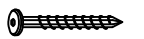


M4 x 30  
Wood screws  
16 pcs

# Step13

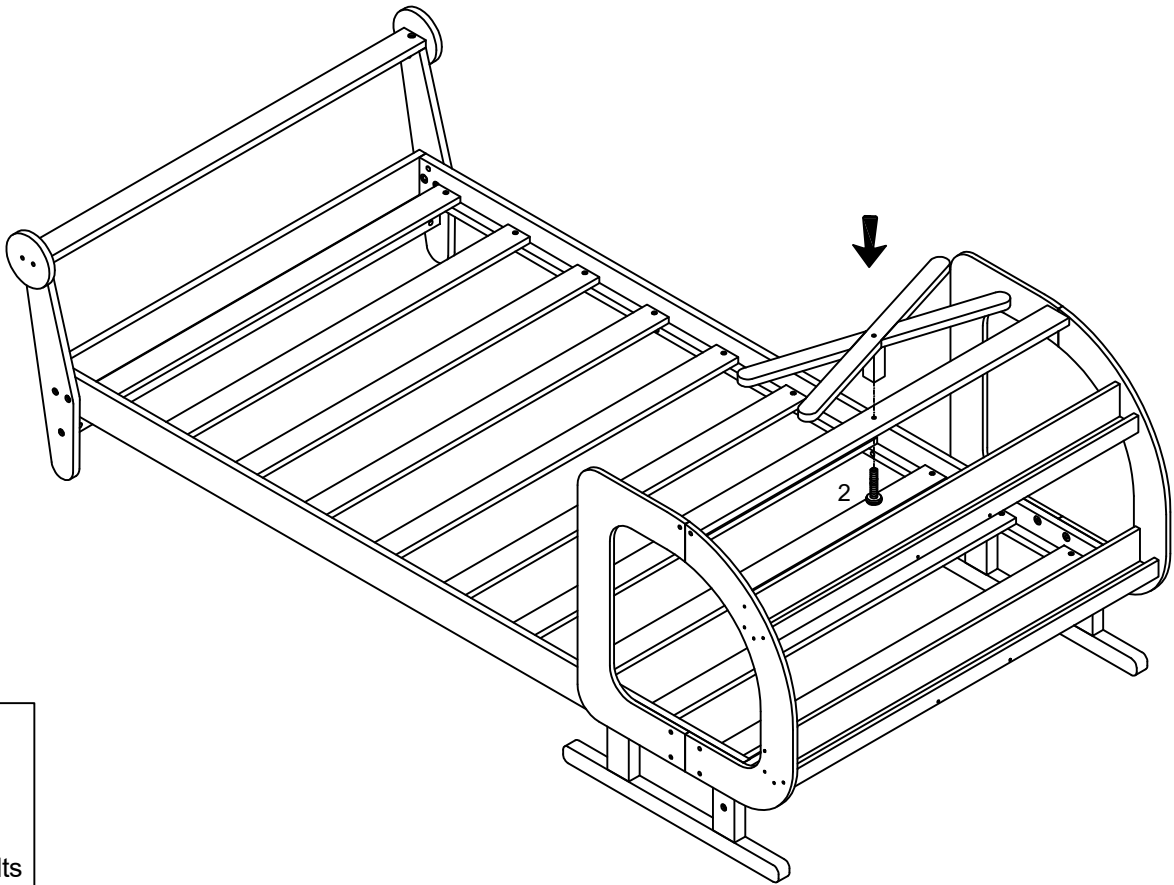


7



M6 x 60  
Wood screws  
4 pcs

## Step14

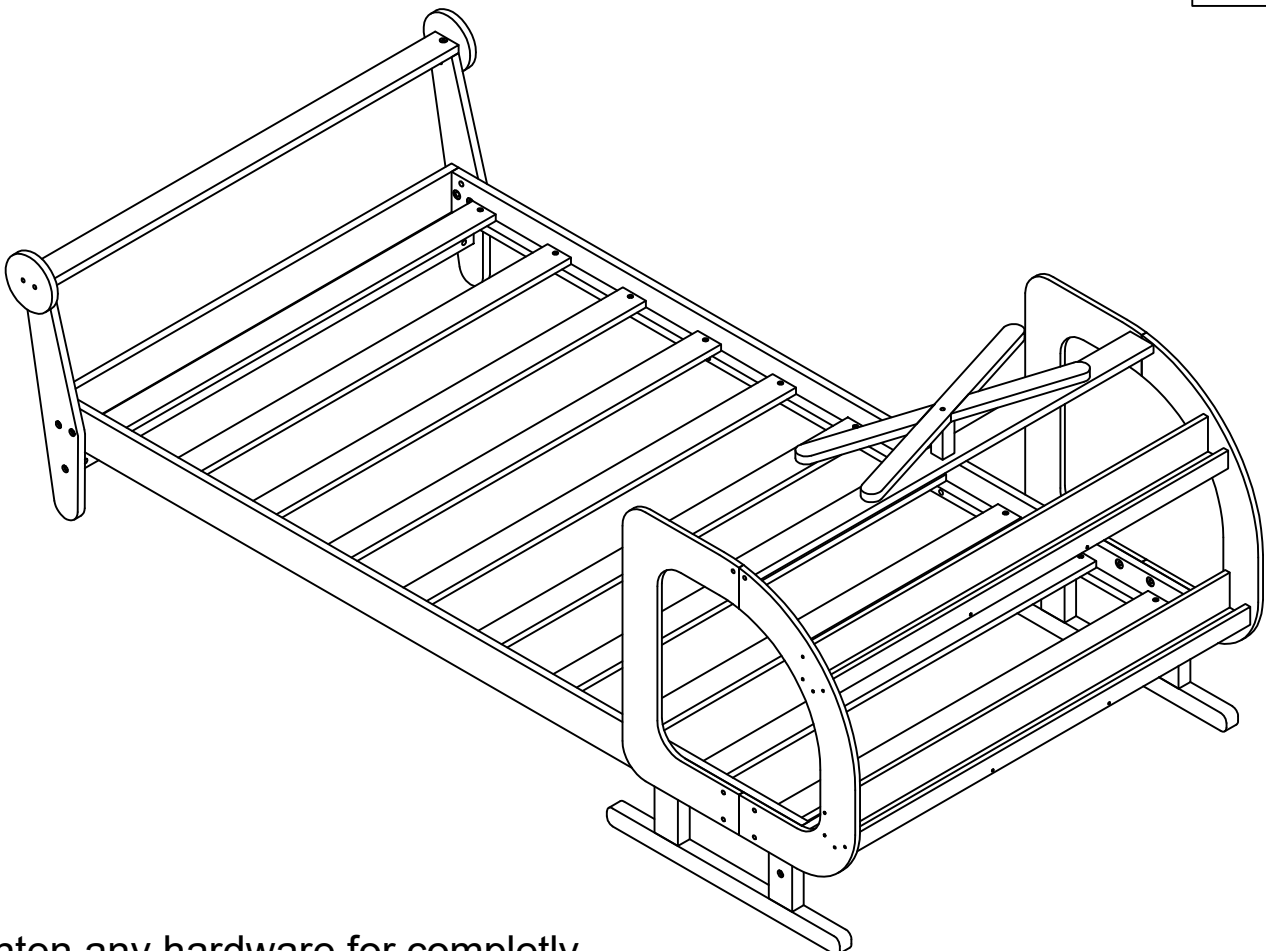


2



M6 x 30 mm  
Hex head bolts  
1 pc

## Step15



Tighten any hardware for completely.