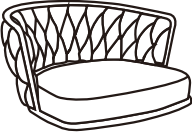

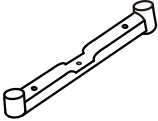
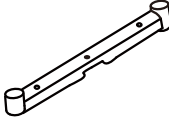
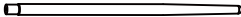

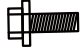

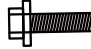

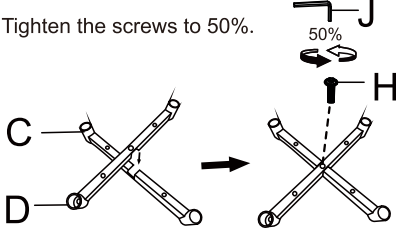


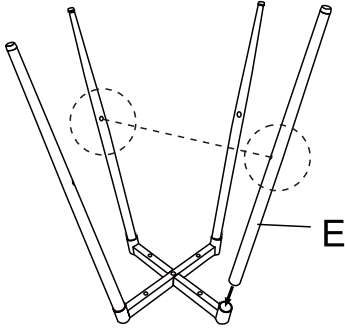
Please check that all fittings are available and in good condition before assembly.
 If you have any questions, please contact us , we will solve your problem in the first time.

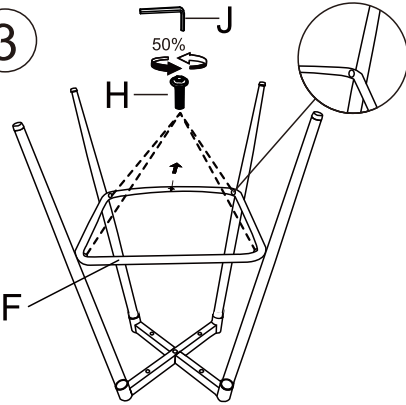
PARTS LIST

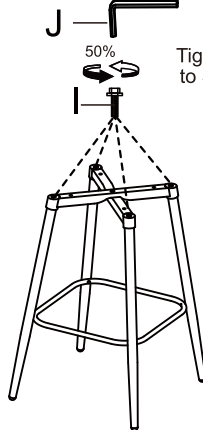
Ax1		Bx1		Cx1		Dx1		Ex4	
Fx1		Gx8	 M6x20mm	Hx5	 M6x30mm	Ix4	 M8x25mm	Jx1	

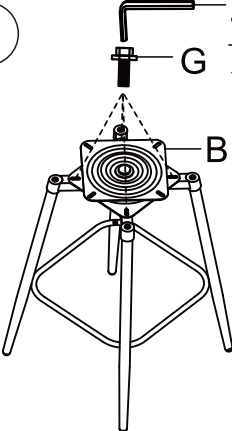
ASSEMBLE INSTRUCTION

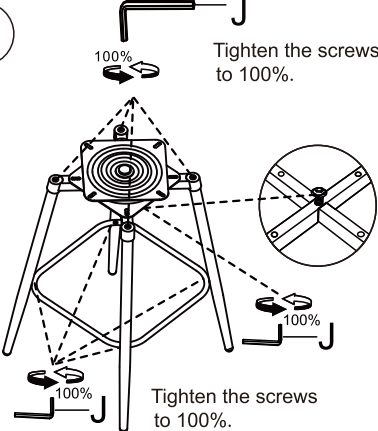
- 

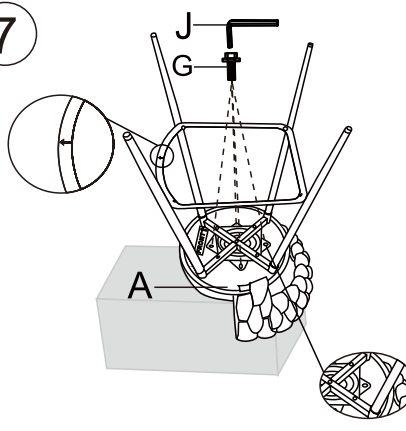

Tighten the screws to 50%.
- 

Make sure the screw holes on opposite legs are in one line.
- 

Tighten the screws to 50%.
- 

Tighten the screws to 50%.
- 

Tighten the screws to 100%.
- 

Tighten the screws to 100%.
- 
- 

Adjust foot nails to make chair stable.