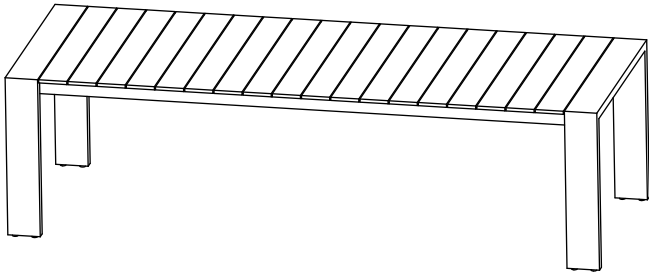


ASSMBLY INSTRUCTIONS



+ Do Not Use Power Tools



+ Suggested Adults



NOTE:

- 1 Read instructions cover to cover.
- 2 Save all packaging until assembly is completed.

1 IMPORTANT SAFETY INFORMATION

Do not assemble the product if any of the following parts arrived damaged:

parts#-Table Top ①
parts#-Table Top ②

Do not assemble if any of the following hardware parts are missing:

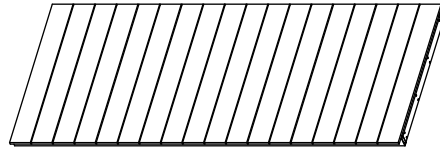
Part#-Bolt
Part#-Allen key

2 IMPORTANT ASSEMBLY INFORMATION

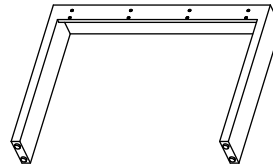
Assembly Step If loosening persists, please make sure to tighten all the bolts periodically, or use a thread locker adhesive.

+ Parts Included

- ① Table Top
(1pc)

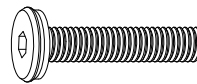


- ② Table Leg
(2pcs)



+ Hardware Included

- A Screws M6x35mm
(16pcs)



- B Washer M6
(16pcs)

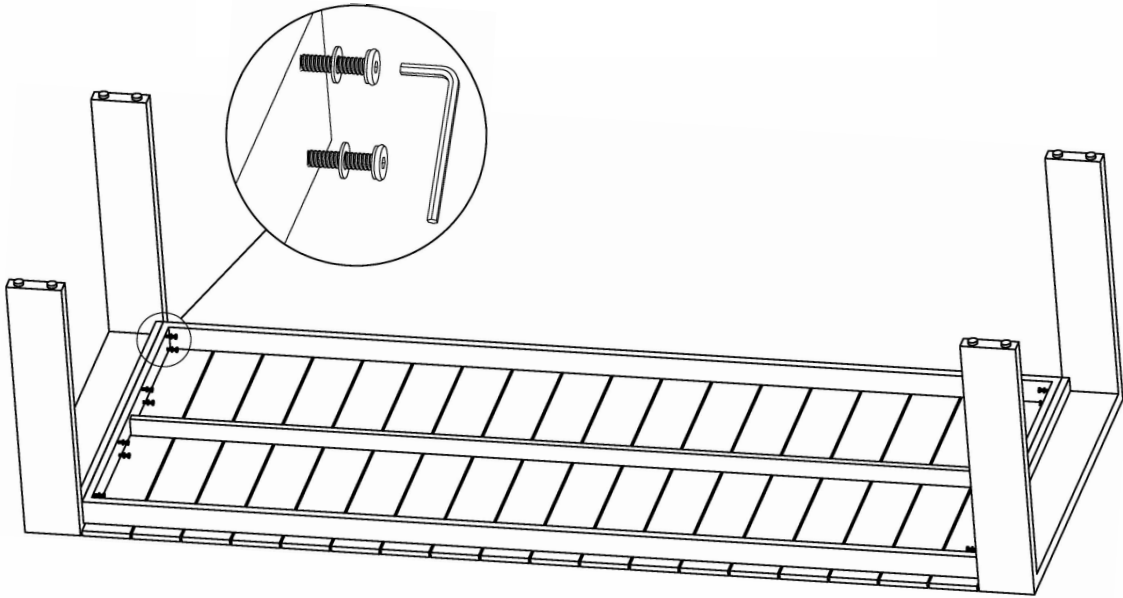


- C Allen Key
(1pc)



ASSEMBLY INSTRUCTIONS

- 1 Connect the legs to the table with fix screws.



- 2 Completed.

