

# ASSEMBLING & INSTALLATION INSTRUCTIONS

For Mini Pendant Mount Fixtures

**WARNING! SHUT POWER OFF AT FUSE OR CIRCUIT BREAKER .  
AVERTISSEMENT! COUPER LE COURANT AU NIVEAU DES FUSIBLES OU DU DISJONCTEUR.**

## HANGING THE FIXTURE (Fig. 2)

1. Shut off the power at the circuit breaker and remove the old fixture from ceiling, including the old crossbar.
2. Carefully unpack the new fixture and lay all the parts on a clear surface.

## HANGING THE FIXTURE (Fig.1)

3. Attach the mounting plate (A) to the junction box using screws (B). The side of the mounting plate marked "GND" must face out.  
**The junction box is not included.**

4. While holding the canopy and lamp cluster towards the ceiling, connect the electrical wires as shown in Fig.3, making sure that all wire connectors are secured. You may have to wrap the connections with electrical tape. If there is a Ground Wire (green or bare copper) in your outlet box, connect the fixture's Ground Wire to it. Otherwise connect fixture's ground wire directly to the Crossbar with the Green Screw provided. After wires being connected, tuck them carefully inside the Junction Box.

5. Then cover the junction box with fixture body (C), aligning the Screw of the Crossbar with the hole of canopy and lock it with brass balls (D).

6. Return the arms to suitable position, see Fig.2.

7. Hang the crystal (E) and the crystal (F) to the loop on the fixture body (C).

8. Hang the crystals (K) and the crystals (L) to the loop on the lamp body (I).

9. Place the crystal cup (H) and the tube (G) over the socket of the lamp body (I).

10. Insert the crystals (J) into the hole of the fixture body (C) and the lamp body (I).

11. Install the light bulb (not included) in accordance with the fixture's specifications: **DO NOT EXCEED THE MAXIMUM WATTAGE RATING! (NE PAS DEPASSER LA PUISSANCE NOMINALE MAXIMALE!)**

Your installation is now complete Return power to the junction box and test the fixture.

Fig.1

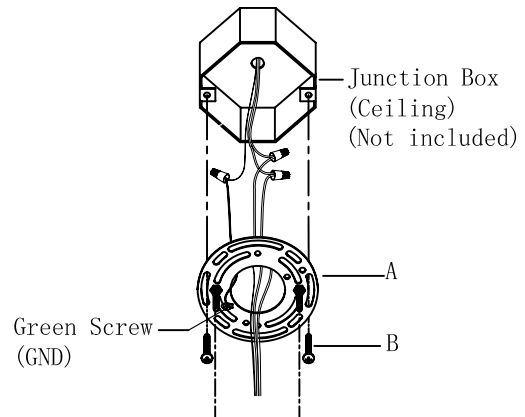


Fig.2

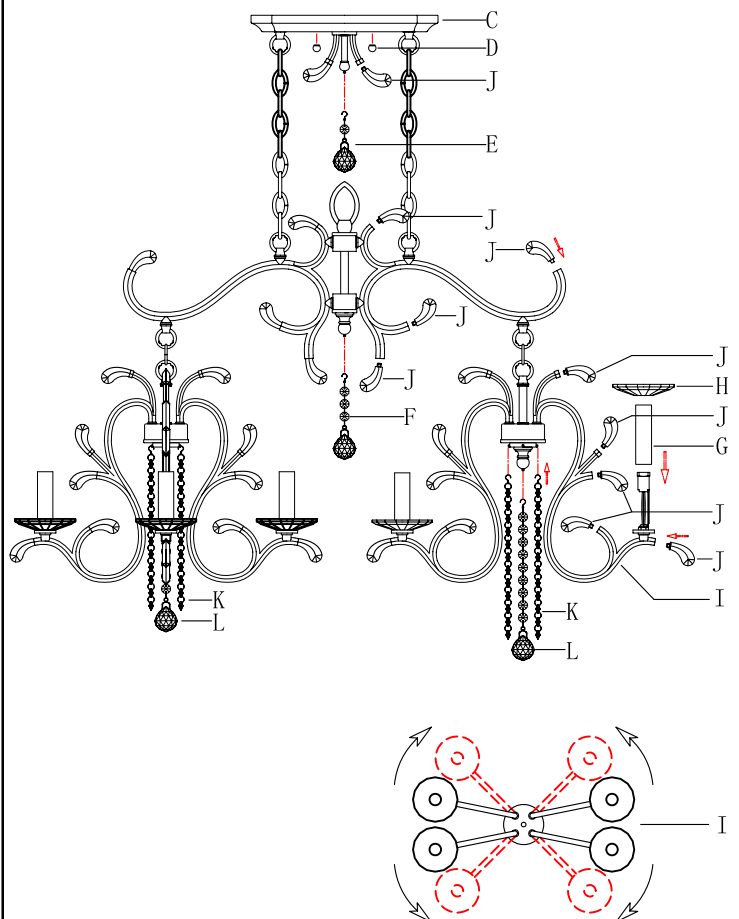


Fig.3

