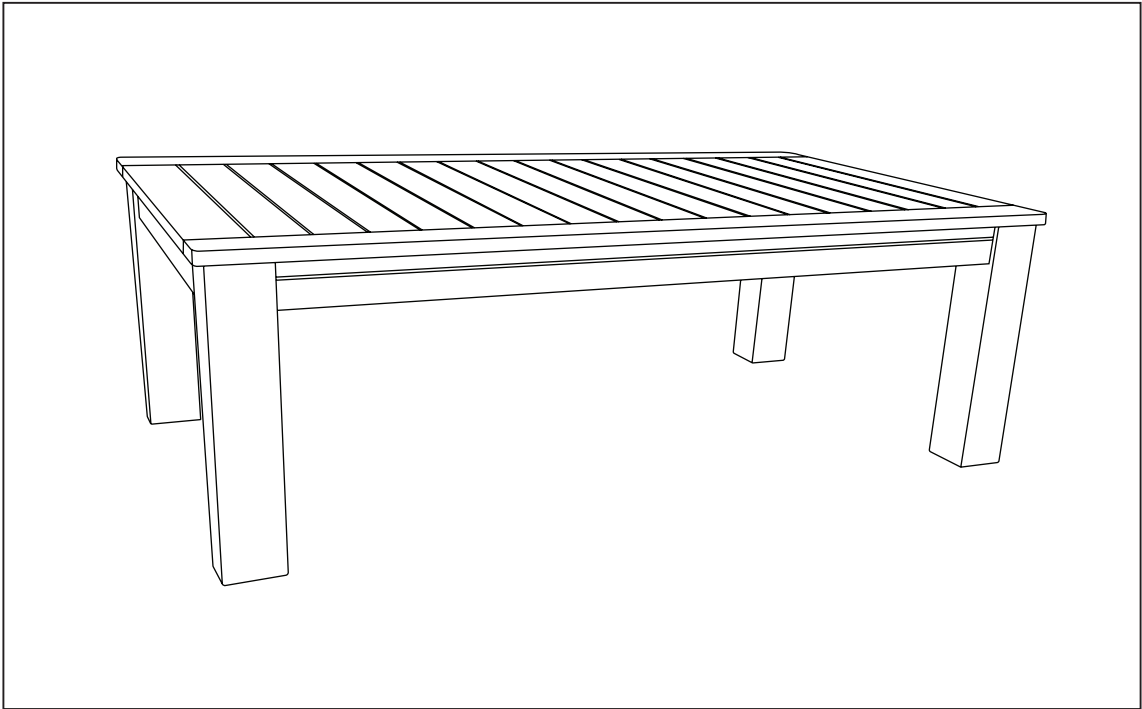


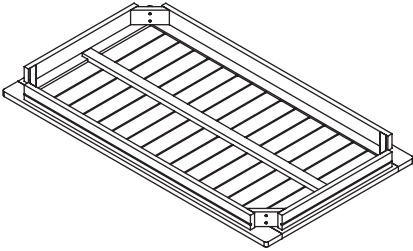

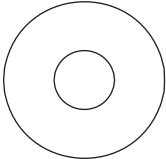
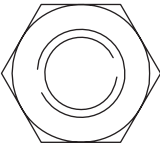
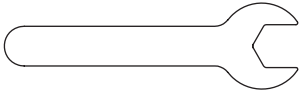
Coffee Table



ASSEMBLY INSTRUCTIONS

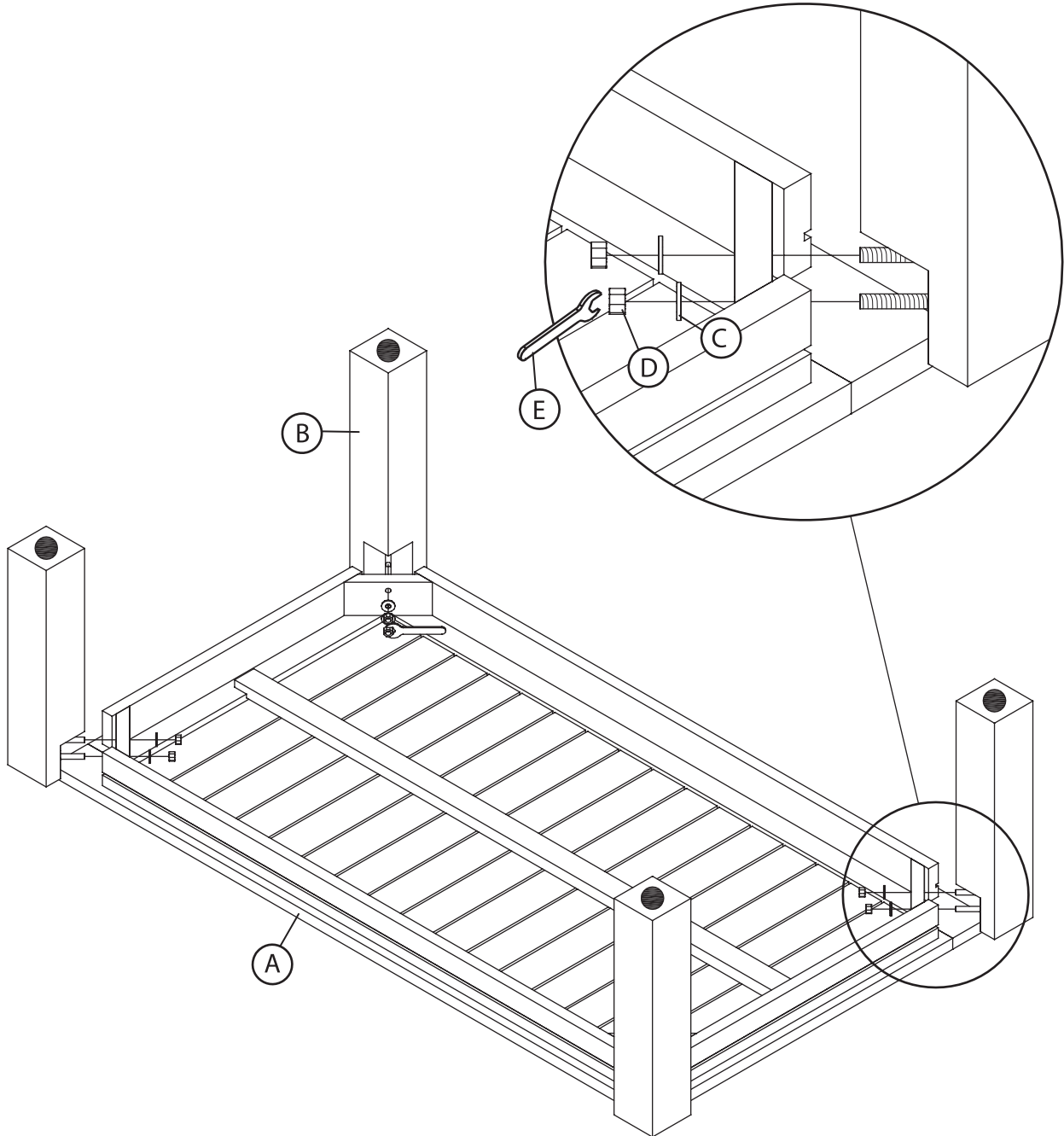
**IMPORTANT, RETAIN FOR FUTURE REFERENCE.
READ CAREFULLY.**

PARTS LIST

NO	PICTURE	PART DESCRIPTION	QTY.
A	 A perspective drawing of a rectangular table top with a grid of slats. It has a raised edge and small feet at the corners.	Table top	1
B	 A perspective drawing of a rectangular leg with a hole at the top and a small notch at the bottom.	Leg	4
C	 A top-down view of a circular washer with a smaller concentric circle in the center.	Washers	8
D	 A top-down view of a hexagonal lock nut with a central hole.	Lock nut	8
E	 A simple line drawing of an open-end wrench.	Wrench	1

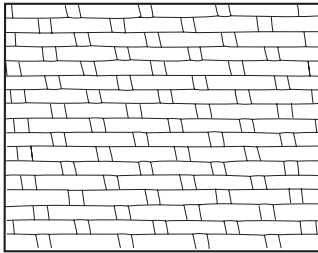
Step 1.

ATTACH LEGS TO TABLE TOP - Attach legs (B) to table top (A) using washers (C), bolts (D) and wrench (E).



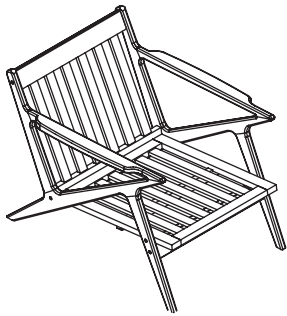
Care and Maintenance

All outdoor furniture is subject to UV rays and weather elements. In order to keep your furniture as long lasting and vibrant as possible, we advise using furniture covers or storing the furniture when not in use.



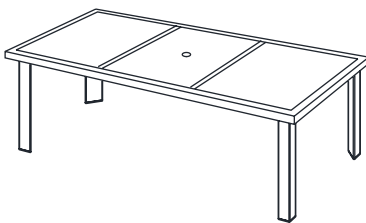
WICKER

Simply washing your wicker with a mild detergent and protecting it as much as possible by covering and or storing it when not in use for long periods of time is sufficient.



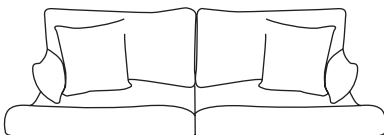
WOOD FRAMES

Make sure all surfaces are protected from heat and liquids. Wipe up spills immediately and do not place furniture next to a heat source such as radiators or fires. All timber surfaces may change color. Spray polishes are best to avoid as they contain silicones which may spoil the surface by building up overtime. Check bolts and screws regularly and tighten when necessary.



STONE TOPS/ TABLE TOPS

Spills should be wiped up quickly to avoid any staining on the surface. Regular cleaning with mild soap and water with a sponge or soft scrub brush is all that is required. Storing or covering your natural stone top when not in use for extended periods of time is recommended.



FABRICS

Wipe off spills with a cloth and water.