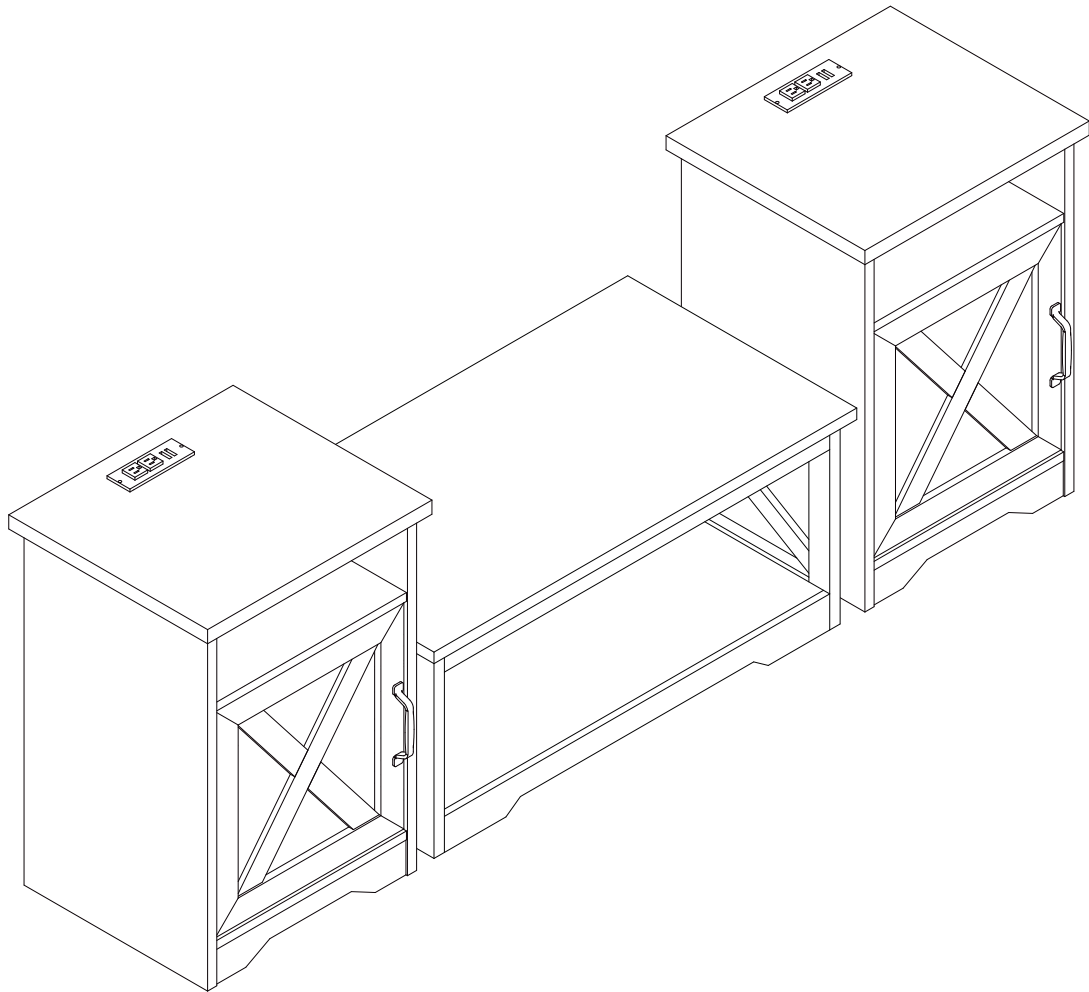


# Living Room Table Set

Assembly Instructions - Please keep for future reference



## Coffee Table Dimensions

Width - 40inch  
Depth - 21.7inch  
Height - 17.7inch

## End Table Dimensions

Width - 17.3inch  
Depth - 15.4inch  
Height - 24.8inch

**Important – Please read these instructions fully before starting assembly**



# Safety and Care Advice

**Important – Please read these instructions fully before starting assembly**

- Check you have all the components and tools listed on the following pages.
- Remove all fittings from the plastic bags and separate them into their groups.
- Keep children and animals away from the work area, small parts could choke if swallowed.
- Make sure you have enough space to layout the parts before starting.

- During assembly do not stand or put weight on the product, this could cause damage.
- Assemble the item as close to its final position (in the same room) as possible.
- Assemble on a soft level surface to avoid damaging the unit or your floor.
- Parts of the assembly will be easier with 2 people.



- To reduce the likelihood of damaging your product please ensure that your power drill is set on a low torque setting.

## Care and maintenance

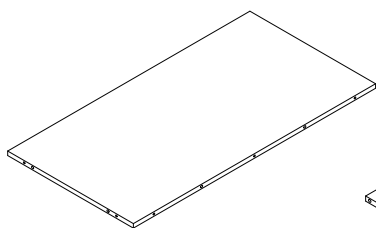
- Only clean using a damp cloth and mild detergent, do not use bleach or abrasive cleaners.
- From time to time check that there are no loose screws on this unit.
- This product should not be discarded with household waste. Take to your local authority waste disposal centre.

## Handy Hints

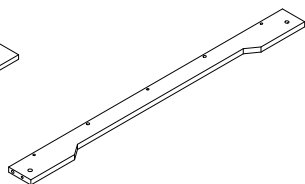
- Assemble all parts and bolts loosely during assembly, only once the product is complete should you fully tighten the bolts
- Regularly check and ensure that all bolts and fittings are tightened properly.

# Components - Panels

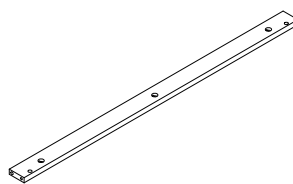
Please check you have all the panels listed below



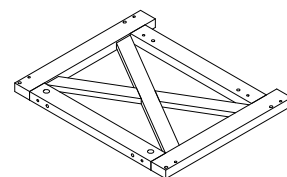
**1** (92.5x 47.6x 1.5cm) x1



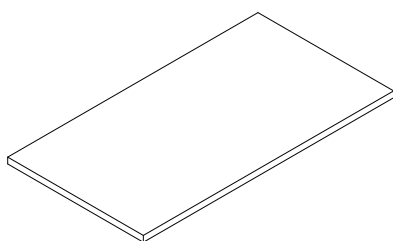
**2** (92.5x 7.5x 1.5cm) x2



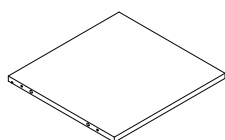
**3** (92.5 x 5 x 1.5cm) x2



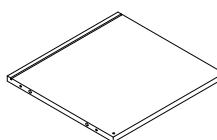
**4** (51 x 42.5 x 2.5cm) x2



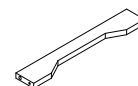
**5** (101.5 x 55 x 2.5cm) x1



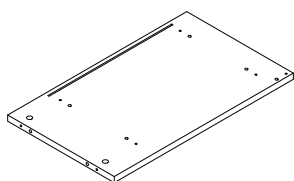
**6** (37.6 x 35.8 x 1.5cm) x2



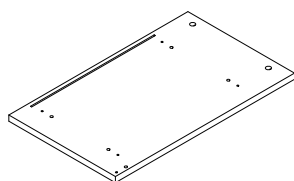
**7** (37.6 x 35.8 x 1.5cm) x2



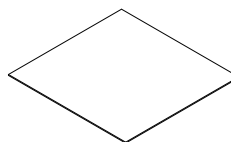
**8** (37.6 x 6 x 1.5cm) x2



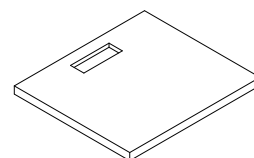
**9** (60.5 x 36 x 1.8cm) x2



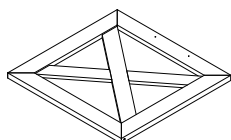
**10** (60.5 x 36 x 1.8cm) x2



**11** (39.7 x 38.3 x 0.27cm) x2



**12** (44 x 39 x 2.4cm) x2



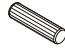



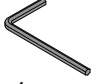


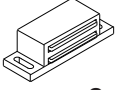
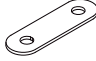


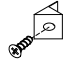
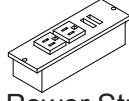
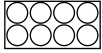


**13** (38.4 x 37 x 1.5cm) x2

# Components - Fittings

Please check you have all the fittings listed below

**Note:** The quantities below are the correct amount to complete the assembly. In some cases more fittings may be supplied than are required.

<b>A</b>  Cam Bolt x 48	<b>B</b>  Cam Lock x 48	<b>C</b>  Wooden Dowel x 54
<b>D</b>  Protective Feet x 12	<b>E</b>  Barrel Nut x 8	<b>F</b>  6*50mm Bolt x 8
<b>G</b>  Hex key x 1	<b>H</b>  Handle & Fixings x 2	<b>I</b>  3.5*14mm Screw x 12
<b>J</b>  Door Stopper x 2	<b>K</b>  Metal Plate x 2	<b>L</b>  Plastic door pin x 2
<b>M</b>  Plastic door pin x 2	<b>N</b>  Back Panel Stiffener x 8	<b>O</b>  Recessed Power Strip x 2
<b>P</b>  Sticker x 8		

## Tools required



Phillips screwdriver  
(medium & large)

## Ruler - Use this ruler to help correctly identify the screws



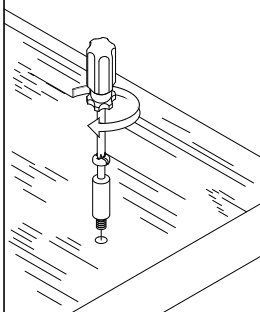
The screws length is measured from the head to the point (30mm screw shown).

### Step 1

Connect the male camlock as directed in the assembly instructions using a screwdriver.

1

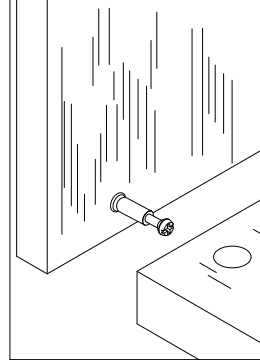
DO NOT OVER TIGHTEN.  
NE PAS SERRER EXCESSIVEMENT.



### Step 2

Push the male camlock into the entry hole.

2

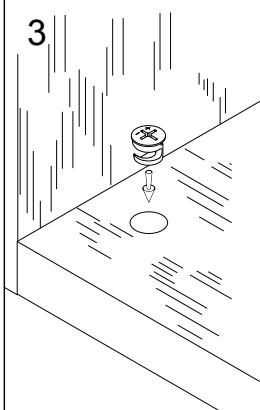


### Step 3

Insert the female camlock as shown in the instructions.

Note: ensure that the arrow on the top of the camlock points towards the entry hole for the male camlock.

3



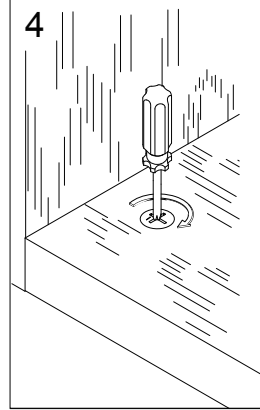
### Step 4

Turn the female camlock clockwise with a screwdriver.

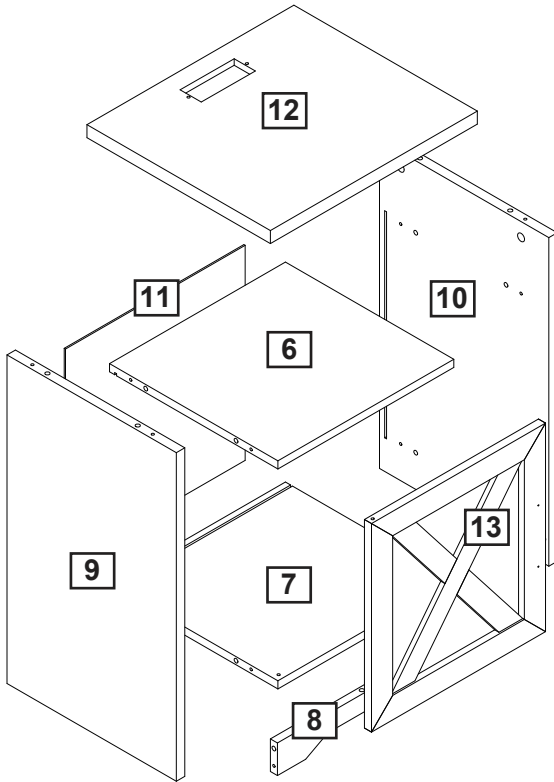
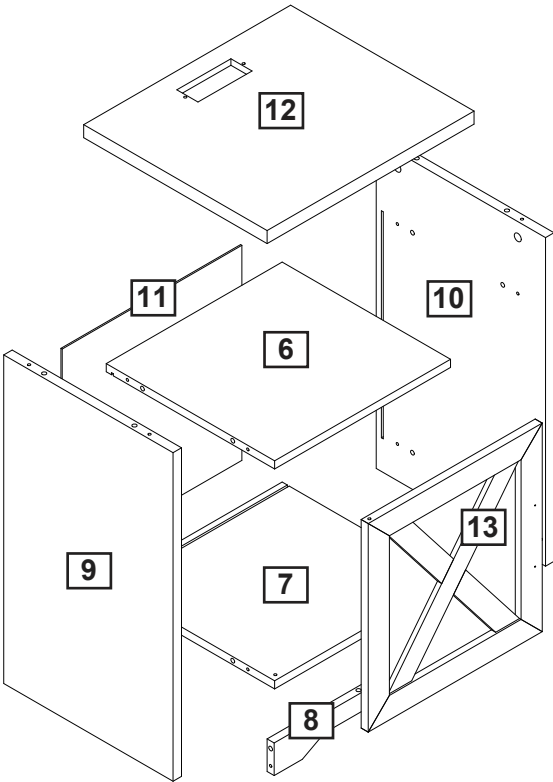
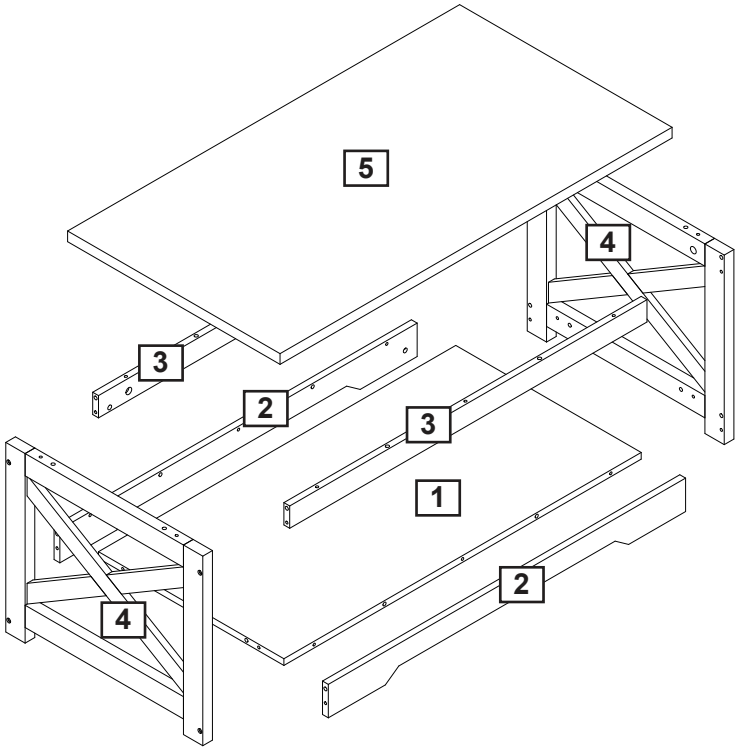
You should feel a click when the camlock is locked in place.

The joint is now secure.

4

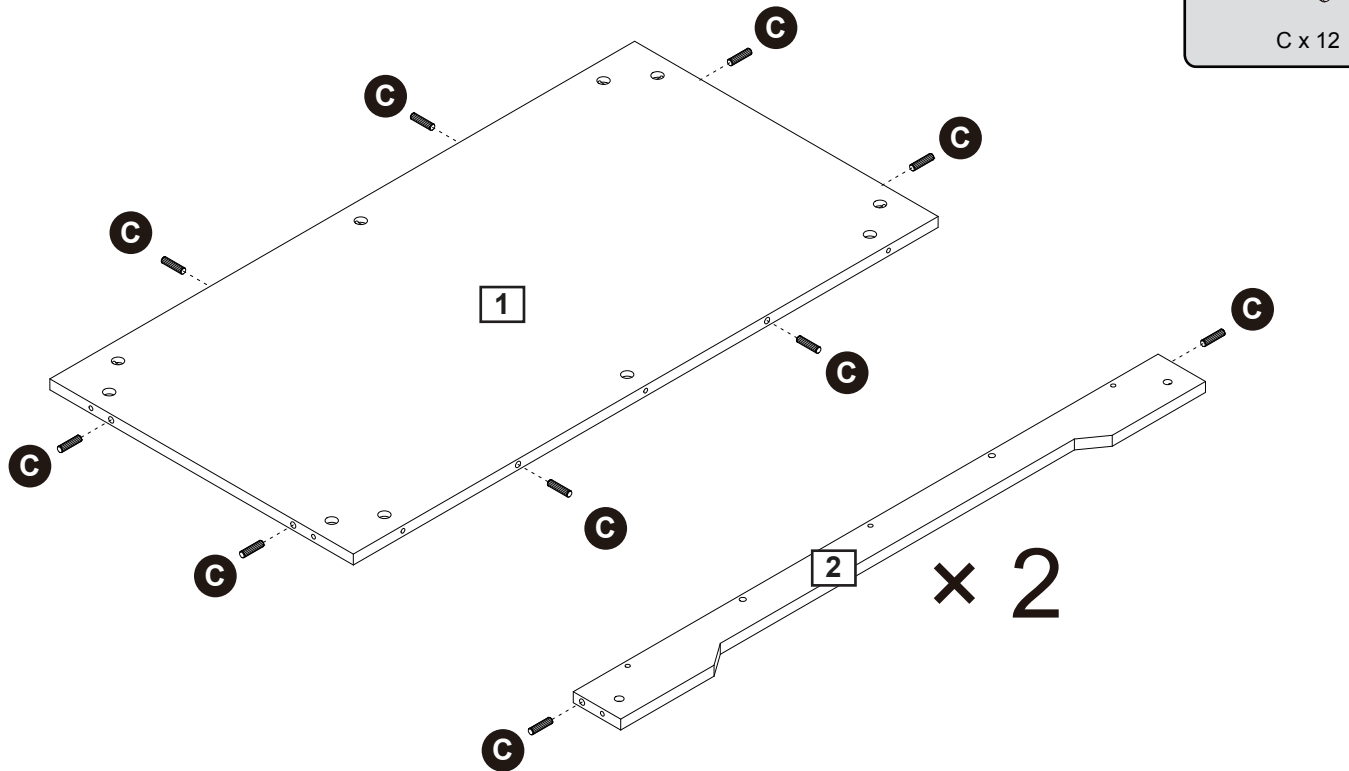


# Assembly Instructions



# Assembly Instructions

## Step 1

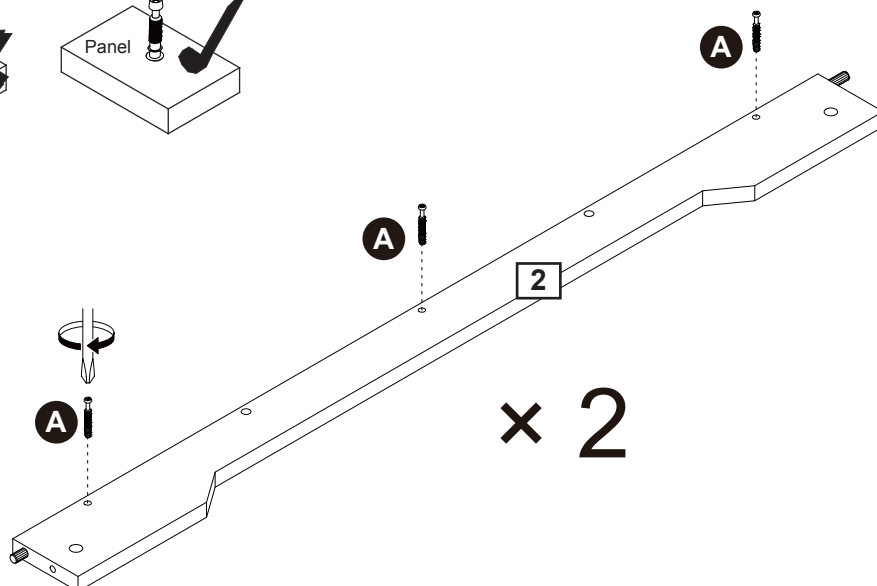
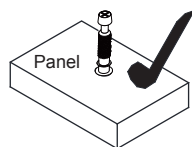
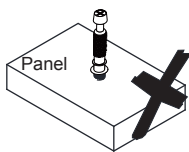
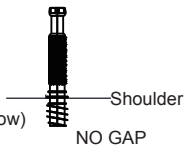


Insert wooden dowel (C) into part (1, 2).

## Step 2

### CAM-LOCK

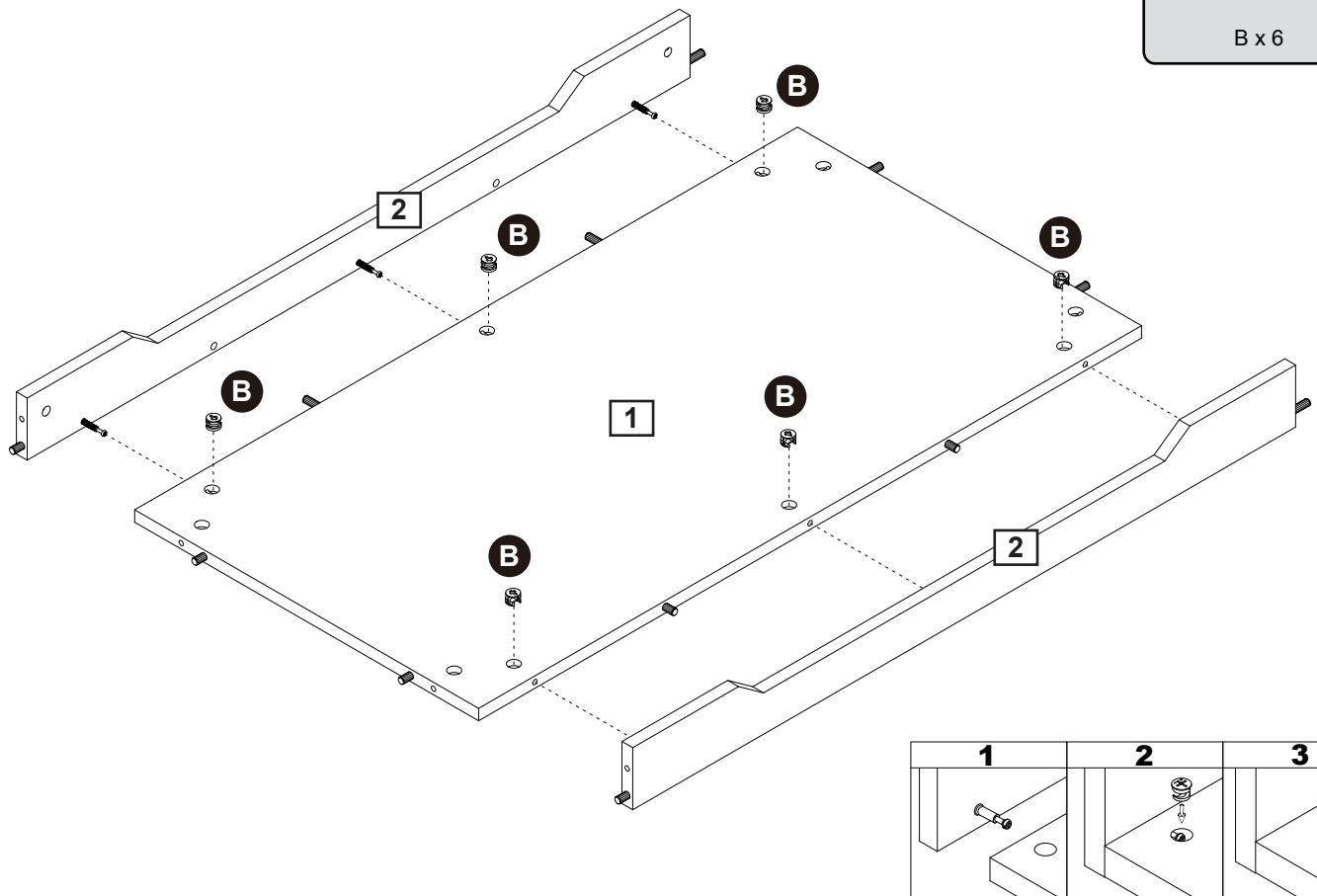
Tighten until shoulder is flush with panel. Do not overtighten or undertighten (see example below)



Attach cam bolt (A) to part (2) with a screwdriver.

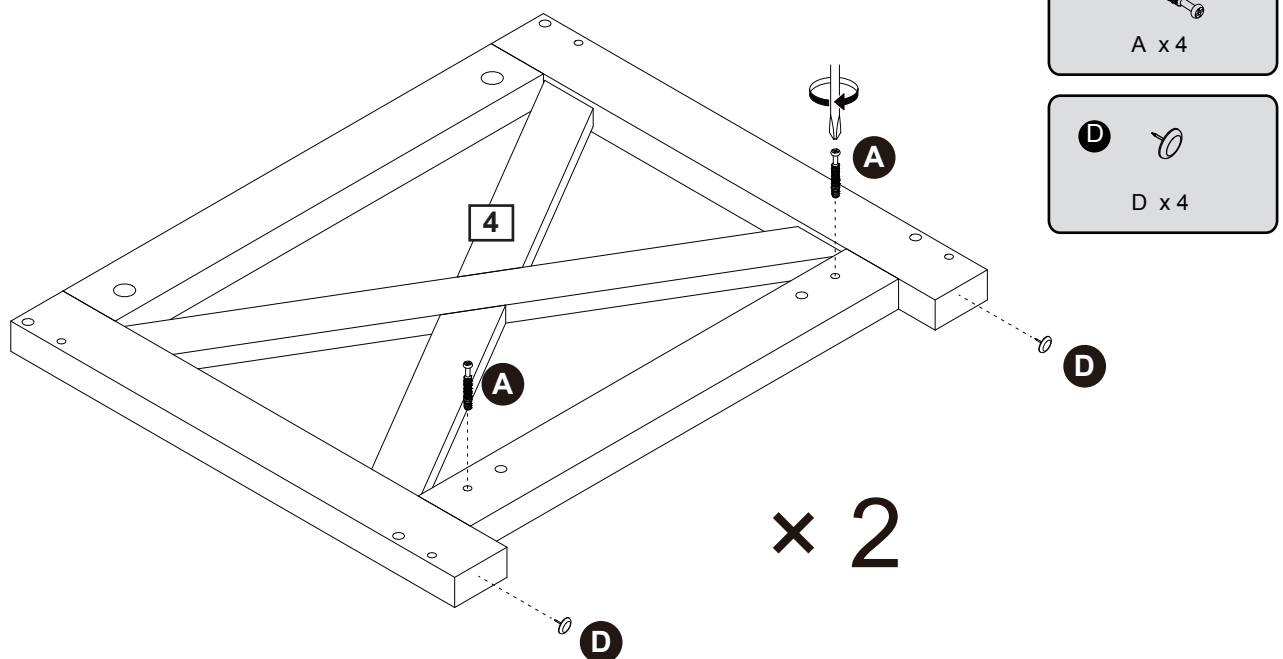
# Assembly Instructions

## Step 3



Attach part (2) to part (1), then insert and secure cam lock (B) to part (1) to lock it.

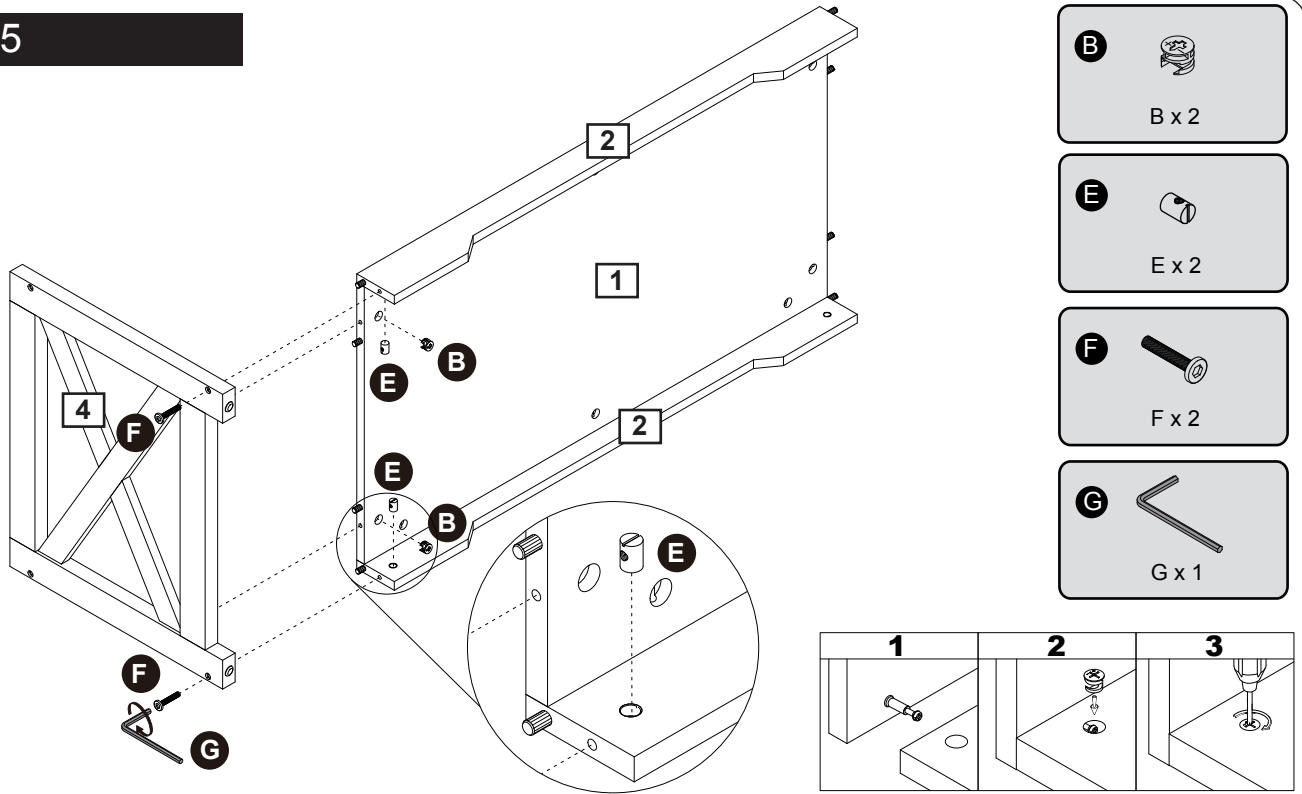
## Step 4



Attach cam bolt (A) to part (4) with a screwdriver.  
Insert protective feet (D) into part (4).

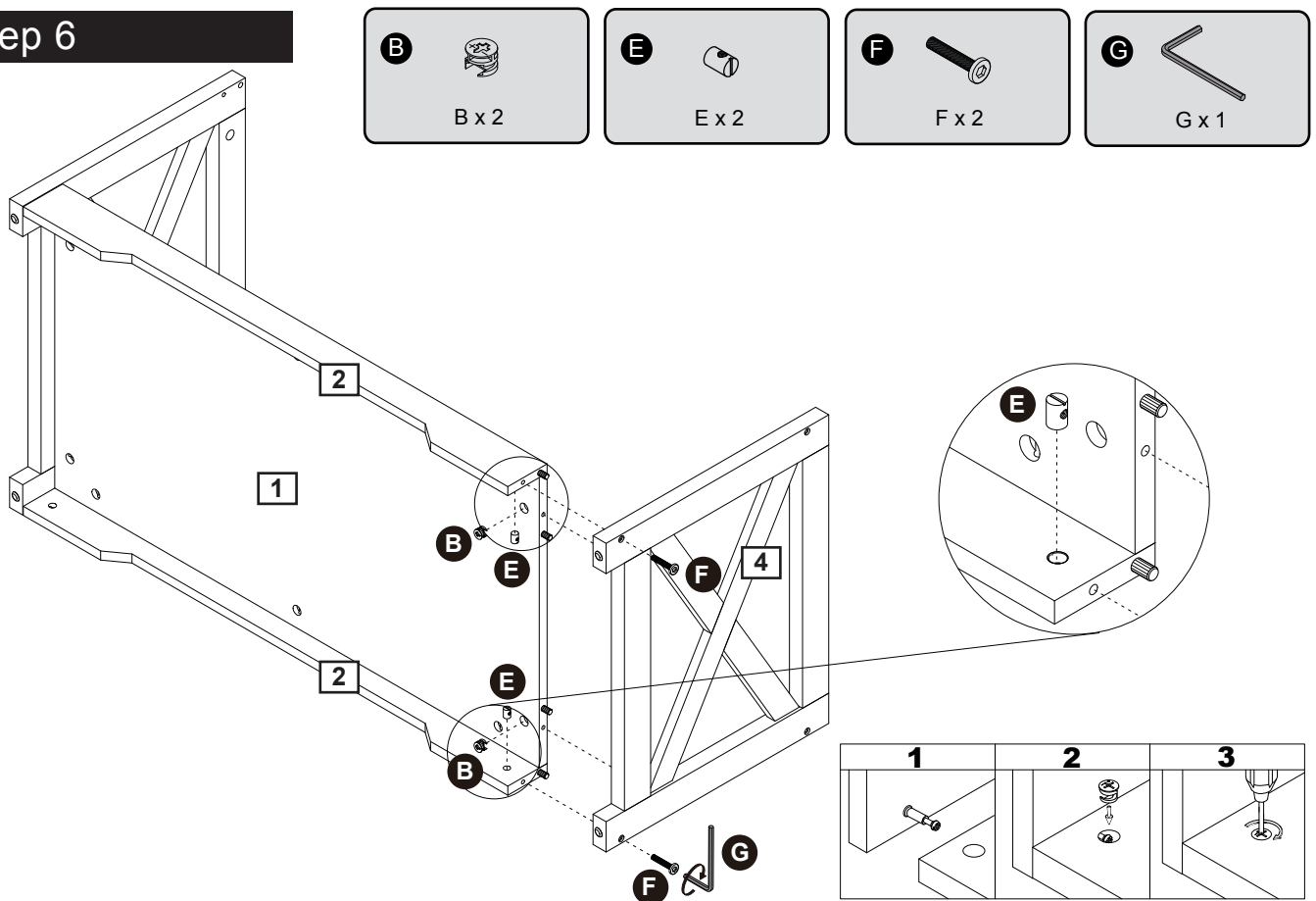
# Assembly Instructions

## Step 5



Attach part (4) to part (1), then insert and secure cam lock (B) to part (1) to lock it.  
 Attach part (4) to part (2) using bolt (F) and barrel nut (E) with hex key (G).  
 Note: Ensure that the hole on the barrel nut (E) points towards the hole on the panel.

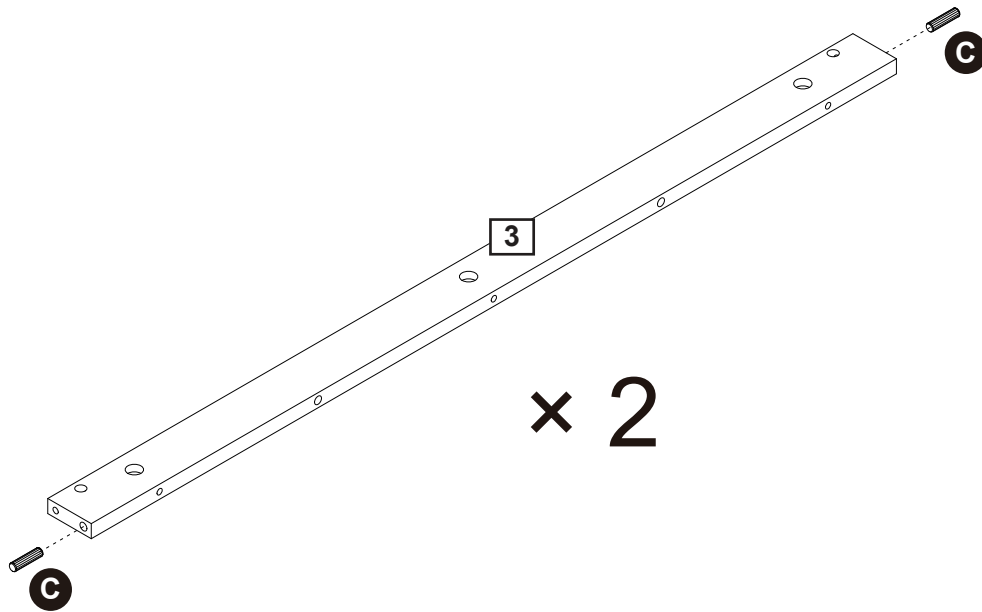
## Step 6



Attach part (4) to part (1), then insert and secure cam lock (B) to part (1) to lock it.  
 Attach part (4) to part (2) using bolt (F) and barrel nut (E) with hex key (G).  
 Note: Ensure that the hole on the barrel nut (E) points towards the hole on the panel.

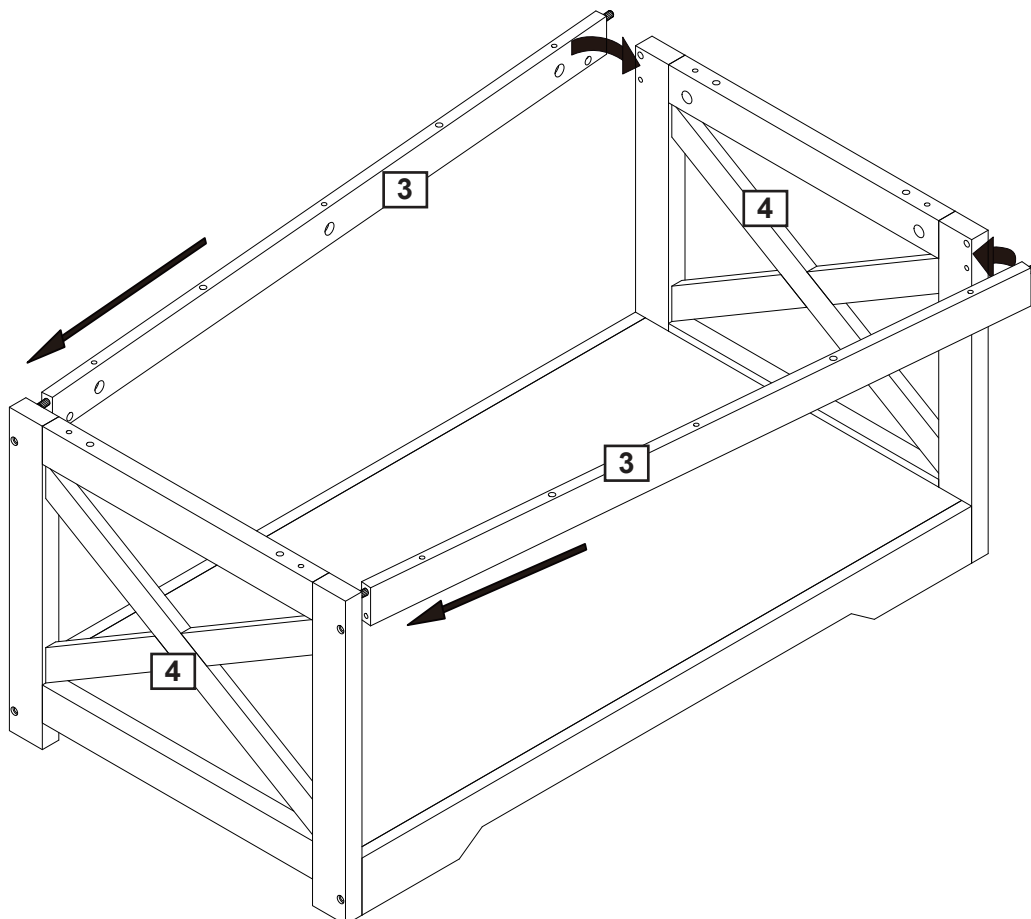
# Assembly Instructions

## Step 7



Insert wooden dowel (C) into part (3).

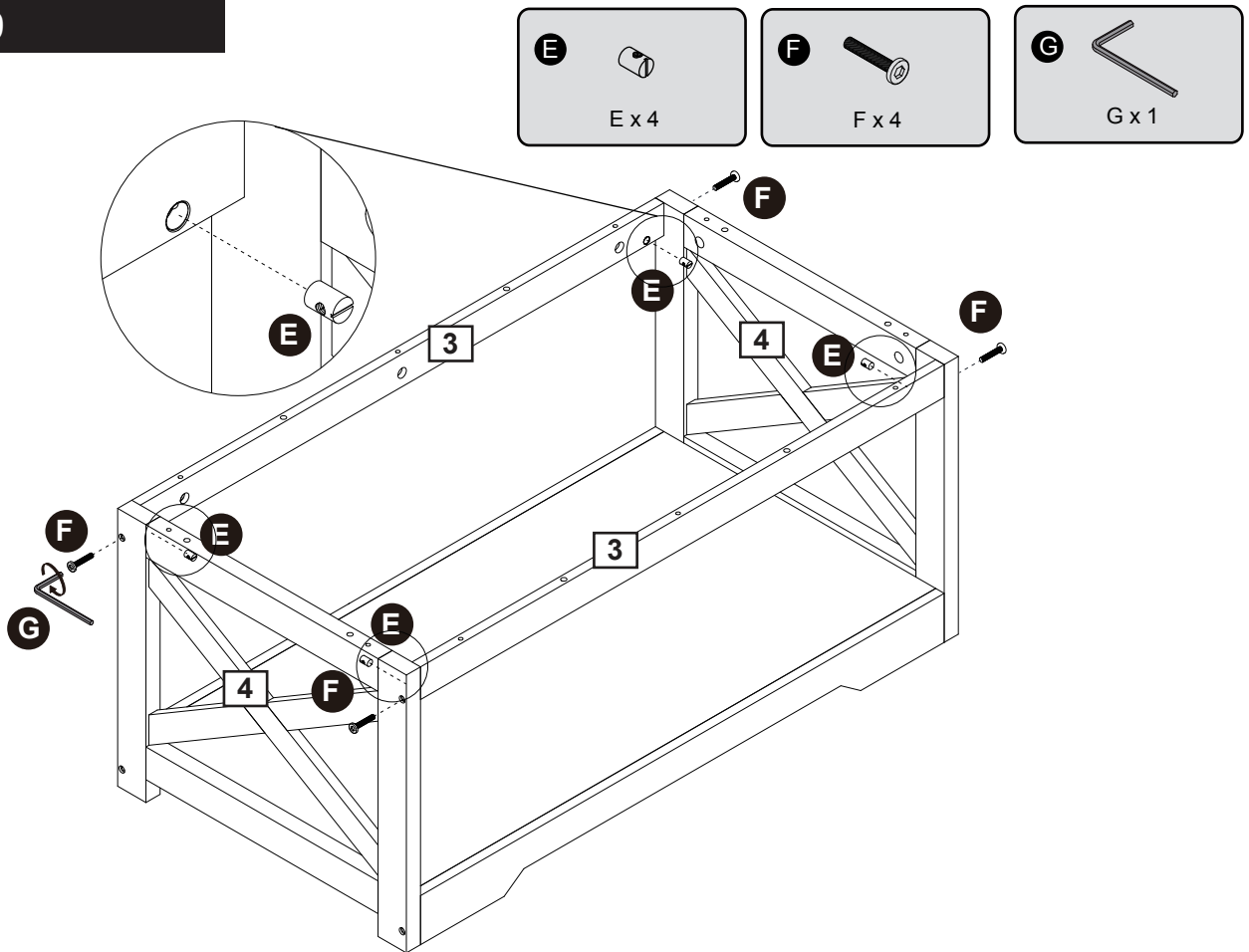
## Step 8



Attach part (3) to part (4).

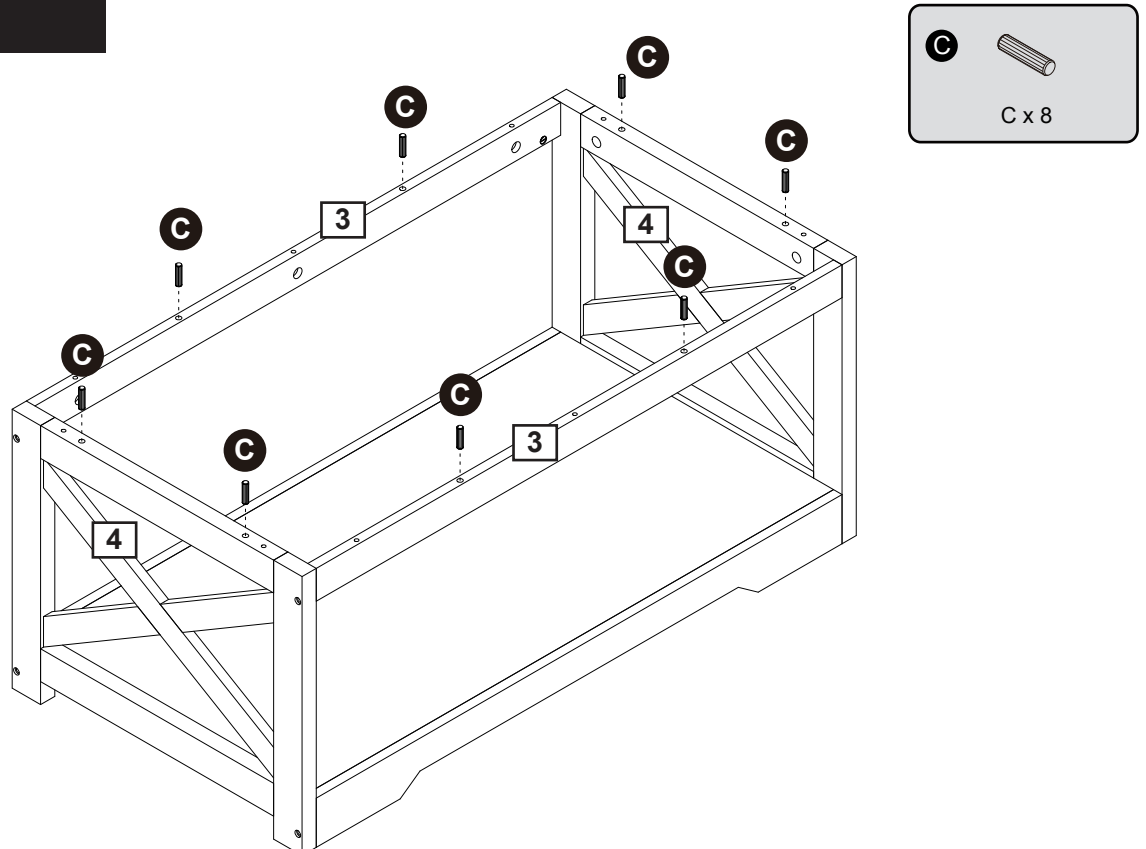
# Assembly Instructions

## Step 9



Attach part (4) to part (3) using bolt (F) and barrel nut (E) with hex key (G).  
Note: Ensure that the hole on the barrel nut (E) points towards the hole on the panel.

## Step 10



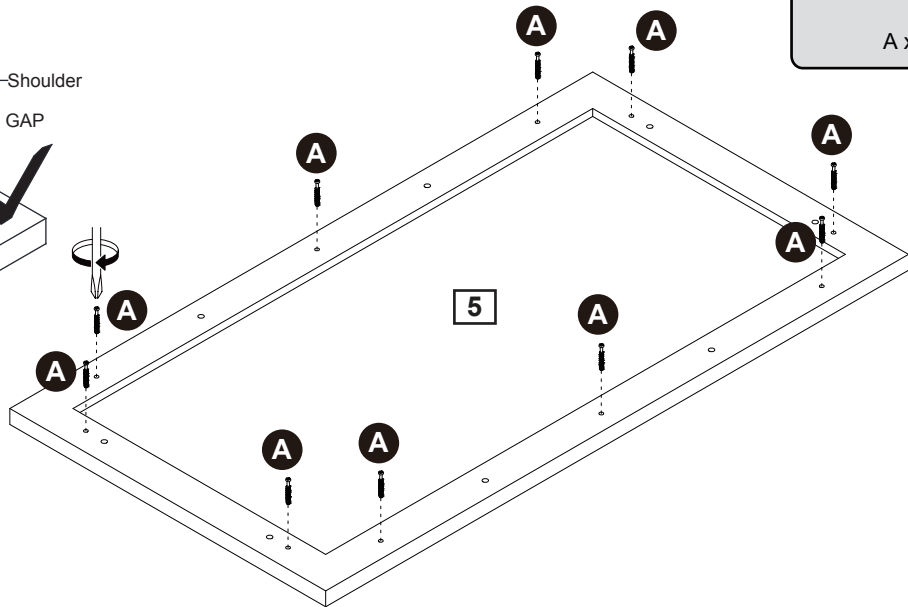
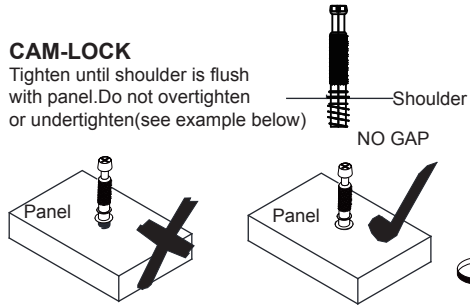
Insert wooden dowel (C) into part (3, 4).

# Assembly Instructions

## Step 11

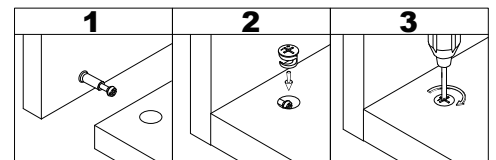
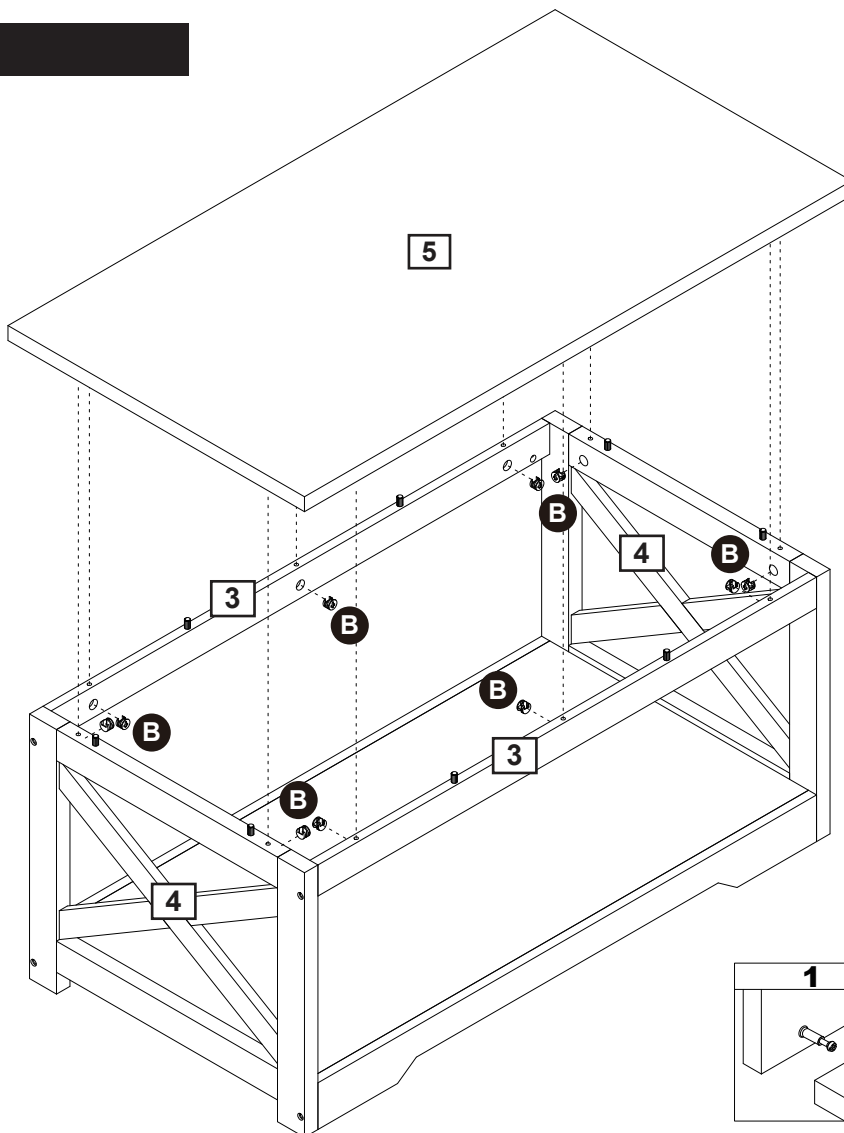
### CAM-LOCK

Tighten until shoulder is flush with panel. Do not overtighten or undertighten (see example below)



Attach cam bolt (A) to part (5) with a screwdriver.

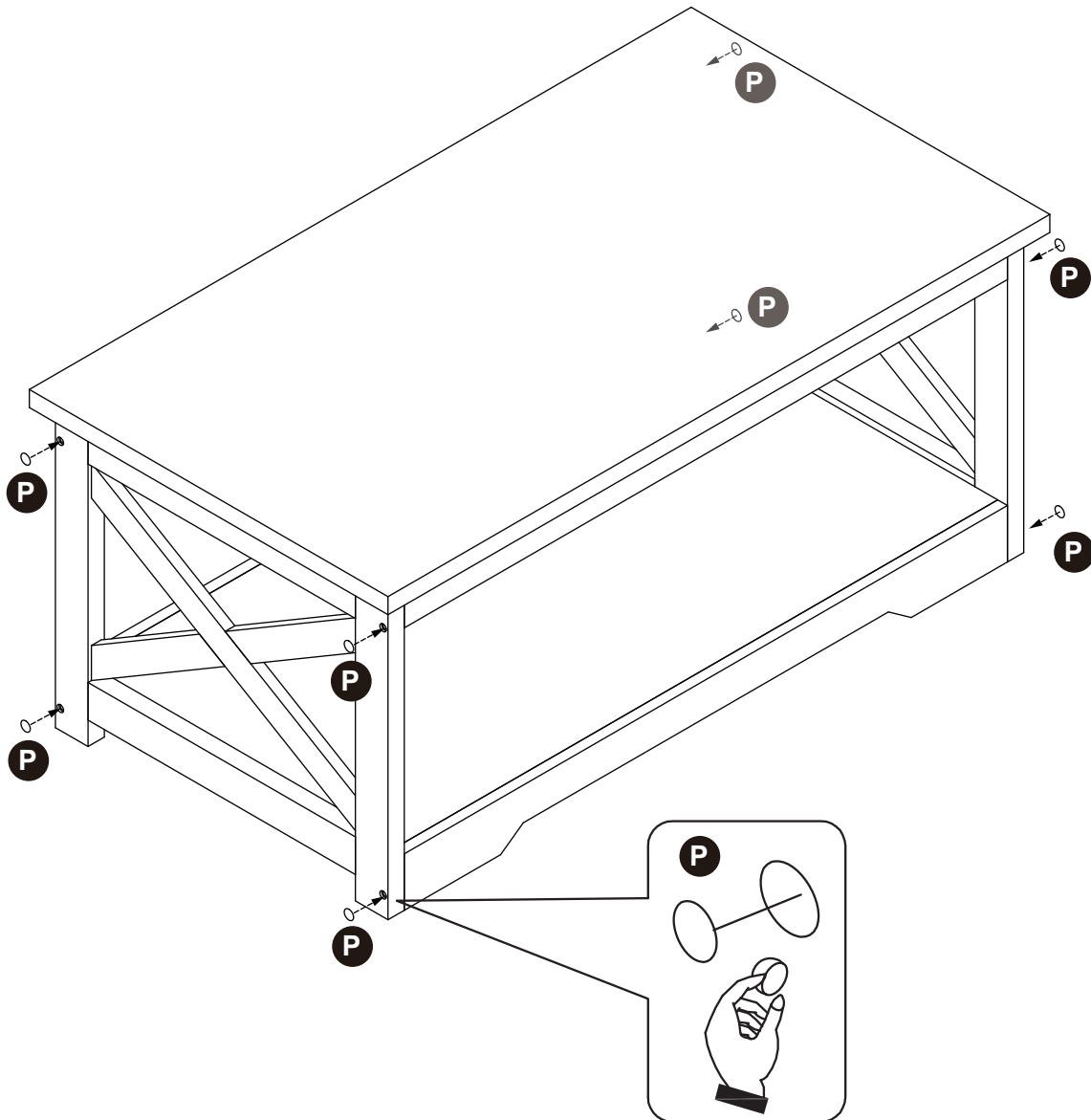
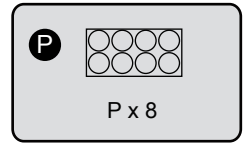
## Step 12



Attach part (5) to part (3, 4), then insert and secure cam lock (B) to part (3, 4) to lock it.

# Assembly Instructions

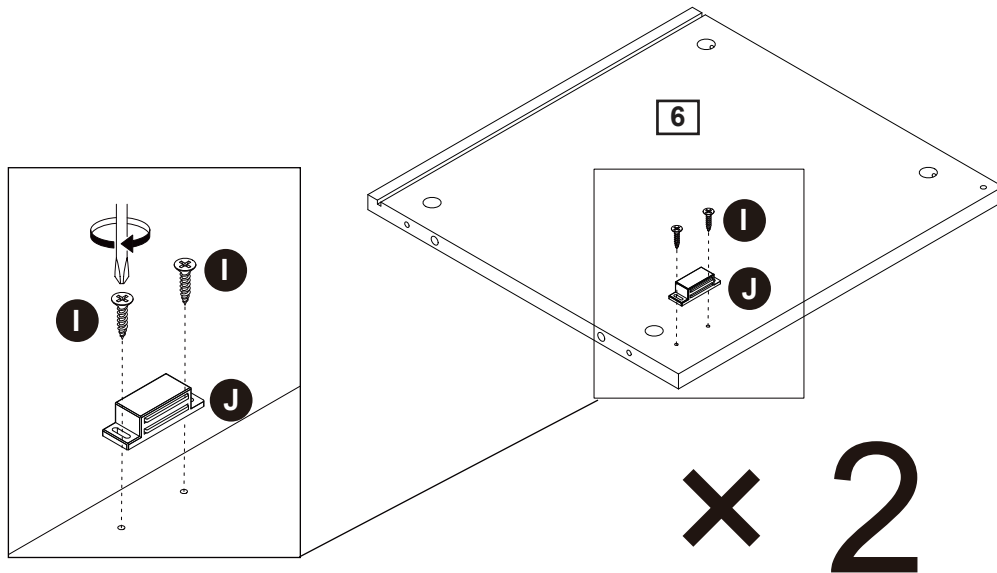
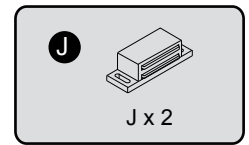
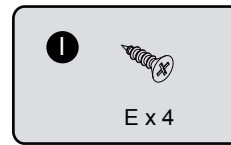
## Step 13



Attached the sticker (P) to cover bolt (C).

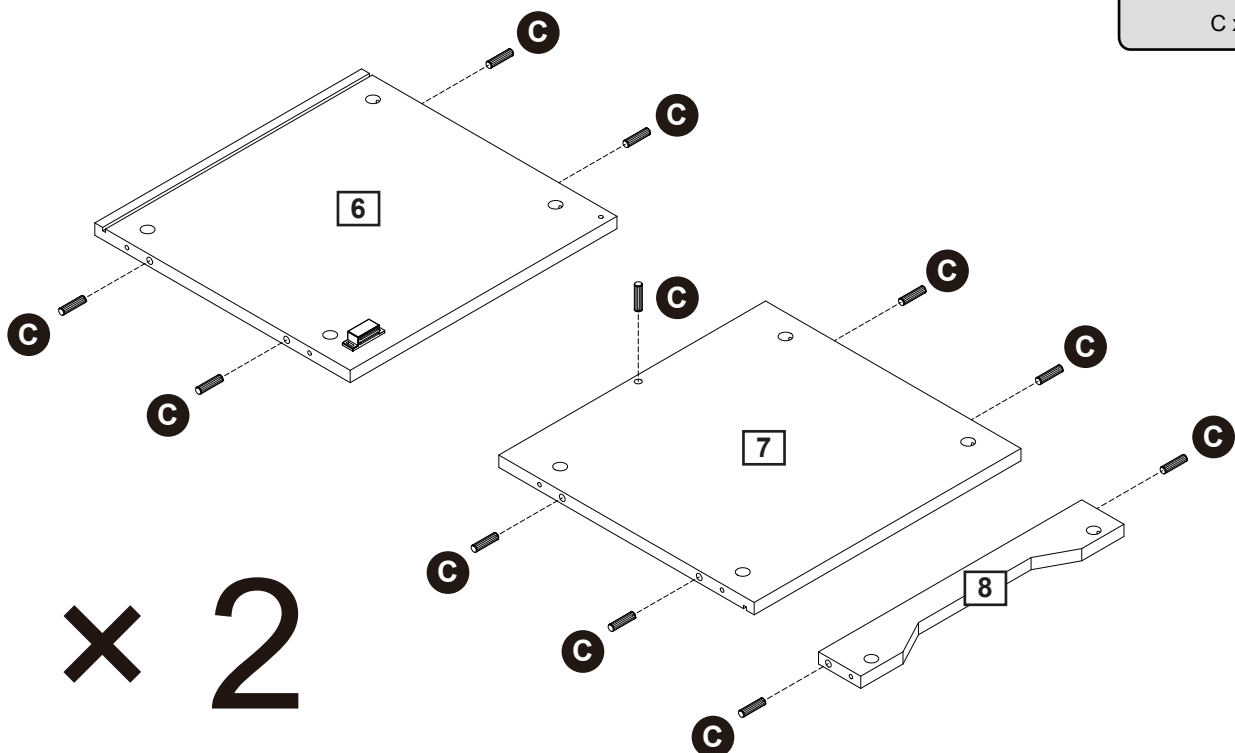
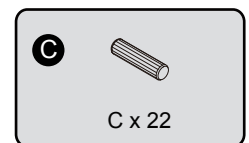
# Assembly Instructions

## Step 14



Attach door stopper (J) to part (6) using screw (I) with a screwdriver.

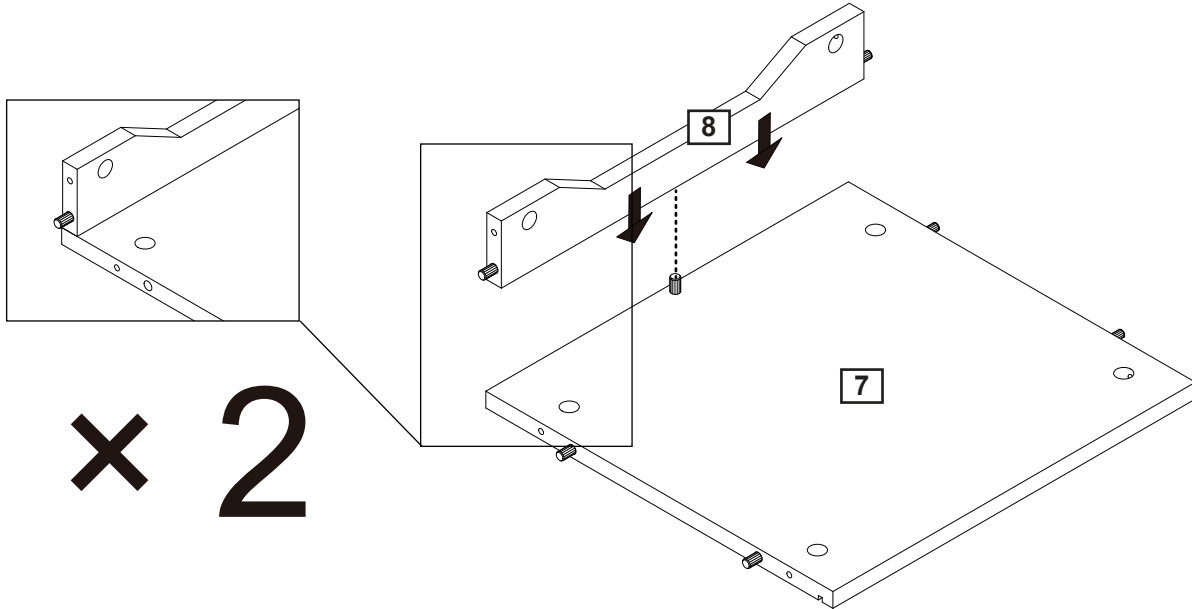
## Step 15



Insert wooden dowel (C) into part (6, 7, 8).

# Assembly Instructions

## Step 16

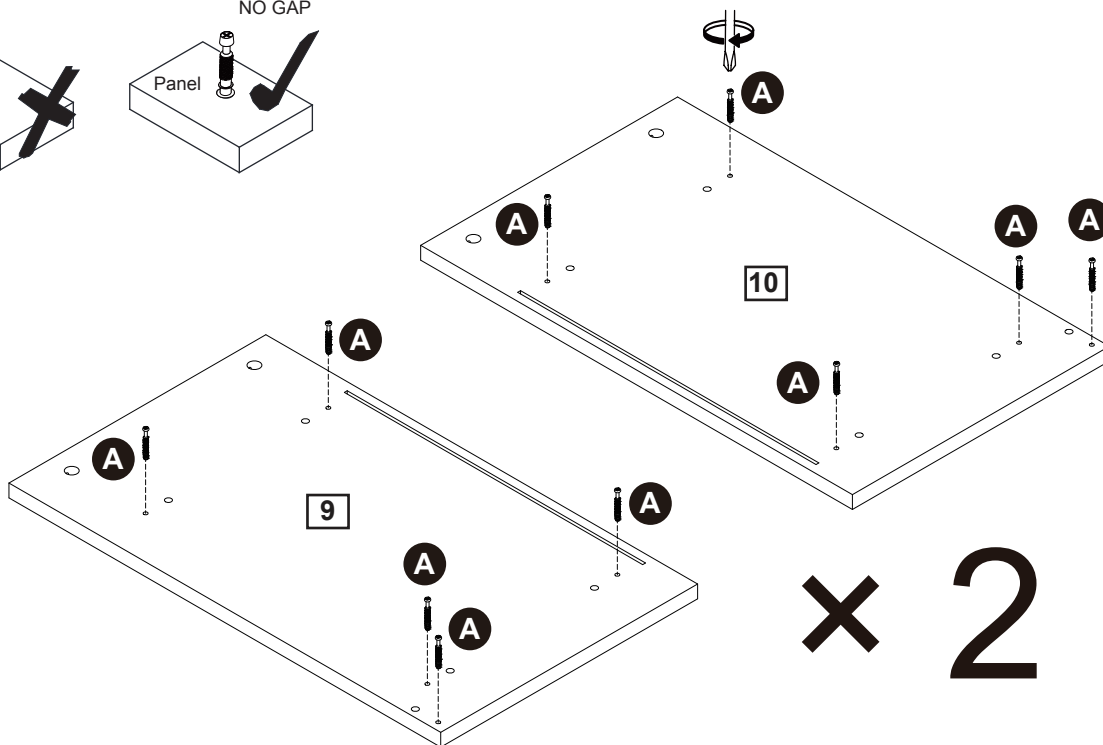
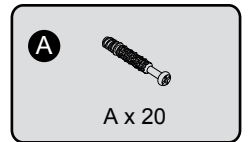
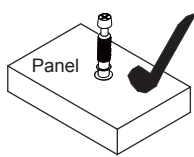
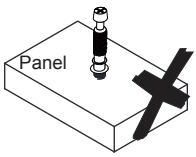
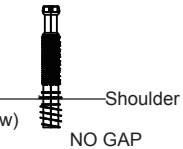


Attach part (8) to part (7).

## Step 17

### CAM-LOCK

Tighten until shoulder is flush with panel. Do not overtighten or undertighten (see example below)

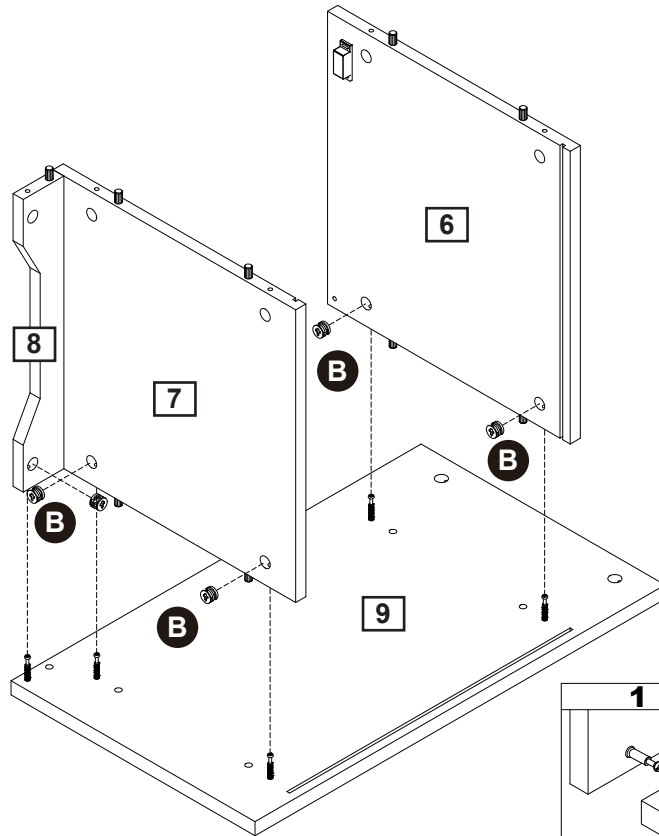


Attach cam bolt (A) to part (9, 10) with a screwdriver.

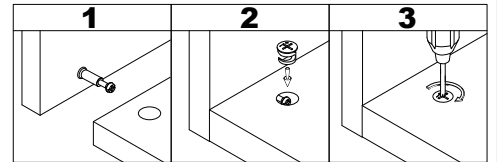
# Assembly Instructions

## Step 18

× 2



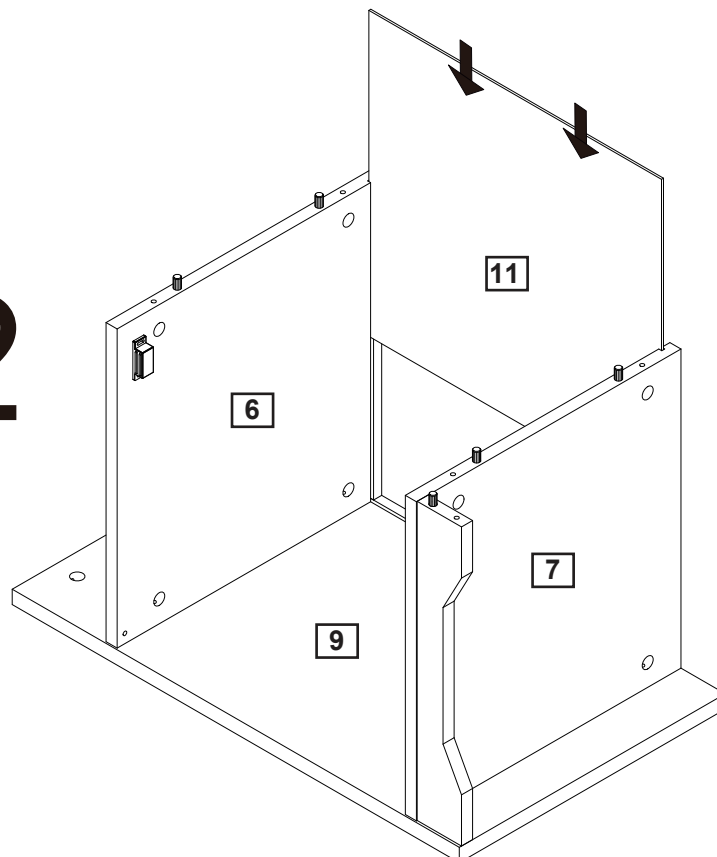
**B**   
B x 10



Attach part (6, 7, 8) to part (9), then insert and secure cam lock (B) to part (6, 7, 8) to lock it.

## Step 19

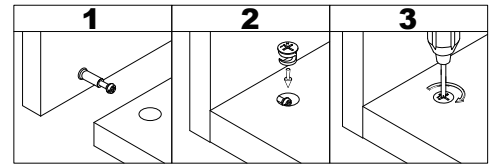
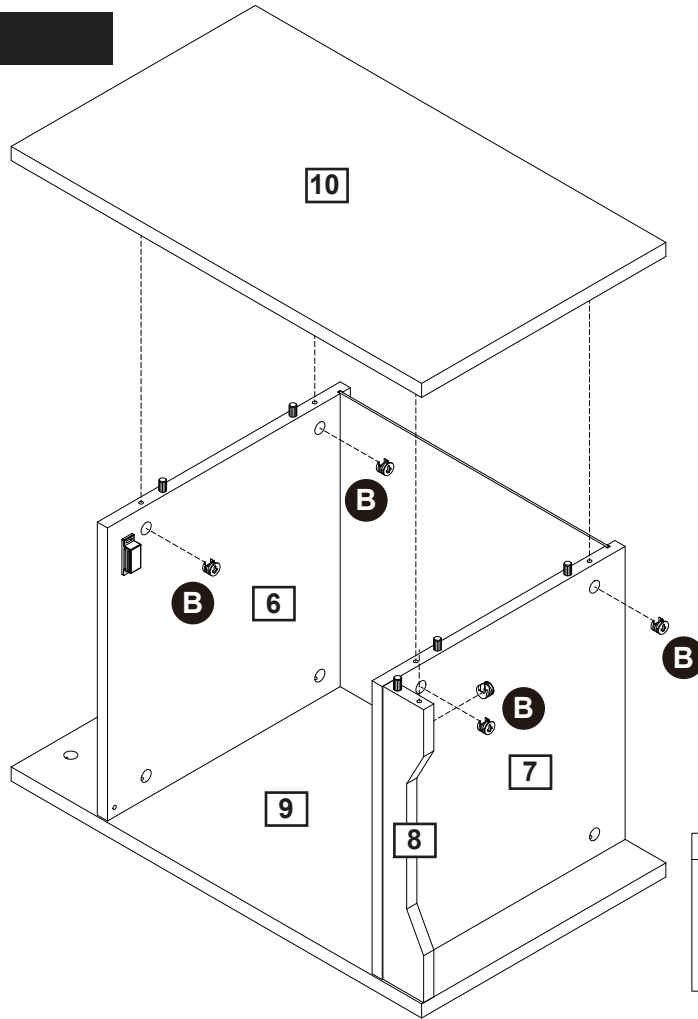
× 2



Slide the back panel (11) into grooves as per diagram.

# Assembly Instructions

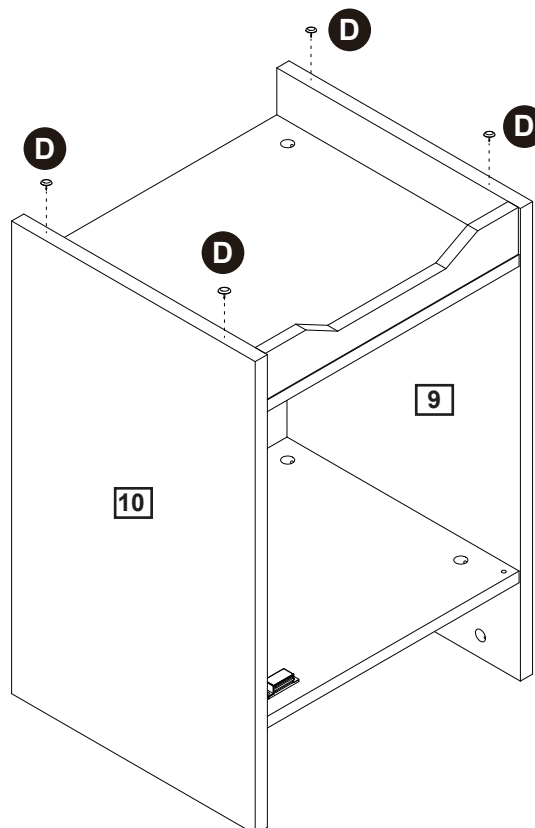
## Step 20



Attach part (10) to part (6, 7, 8), then insert and secure cam lock (B) to part (6, 7, 8) to lock it.

## Step 21

x 2



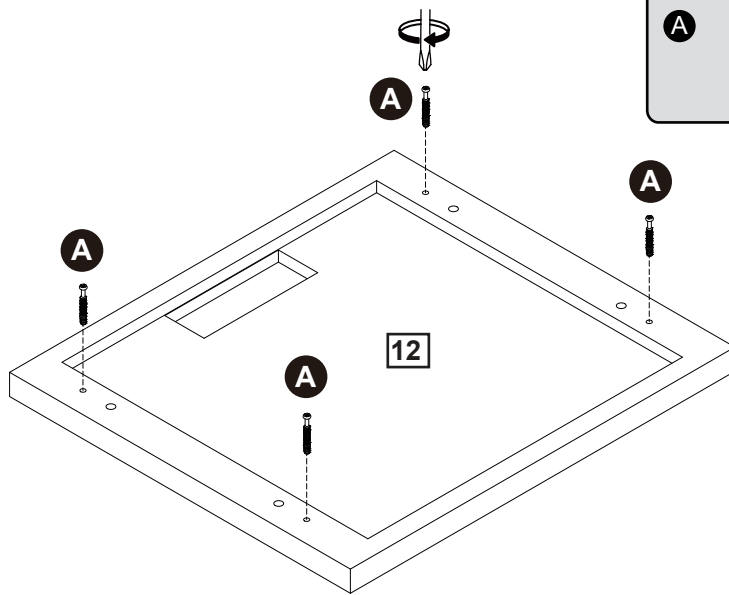
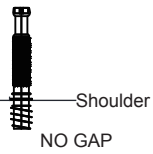
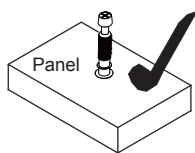
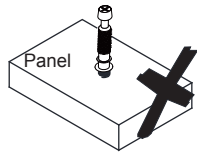
Insert protective feet (D) into part (9, 10).

# Assembly Instructions

## Step 22

### CAM-LOCK

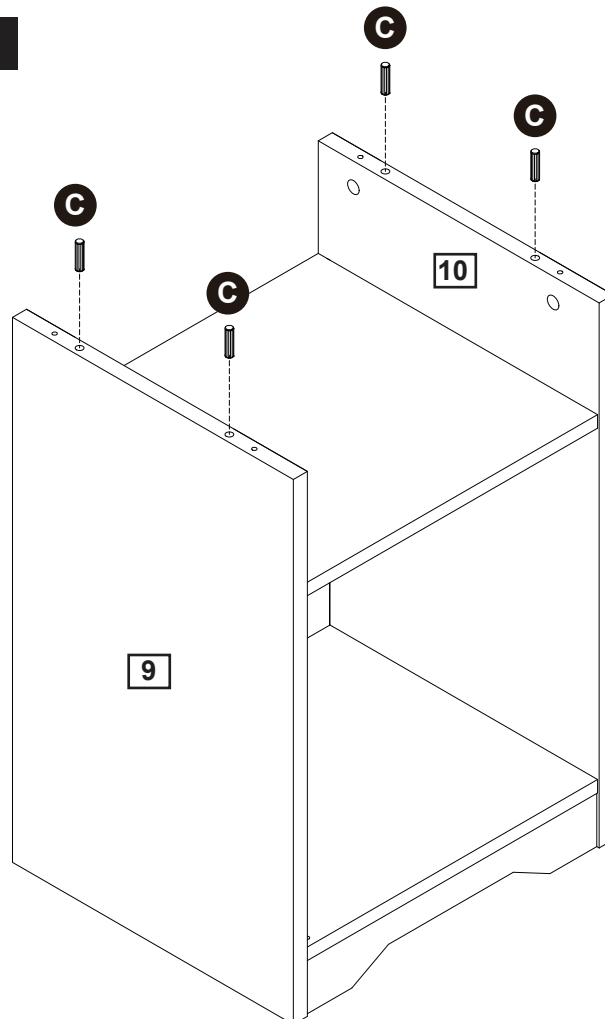
Tighten until shoulder is flush with panel. Do not overtighten or undertighten (see example below)



x 2

Attach cam bolt (A) to part (12) with a screwdriver.

## Step 23



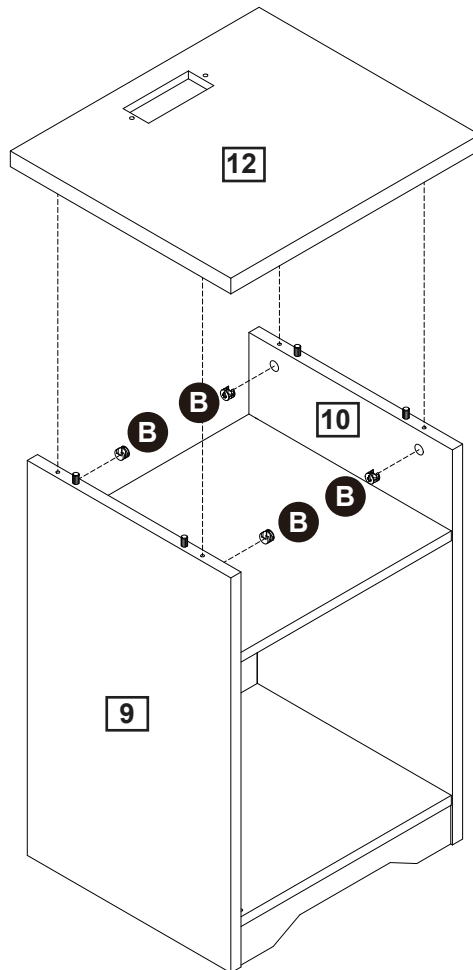
x 2


Insert wooden dowel (C) into part (9, 10).

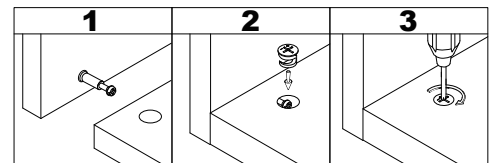
# Assembly Instructions

## Step 24

**x 2**



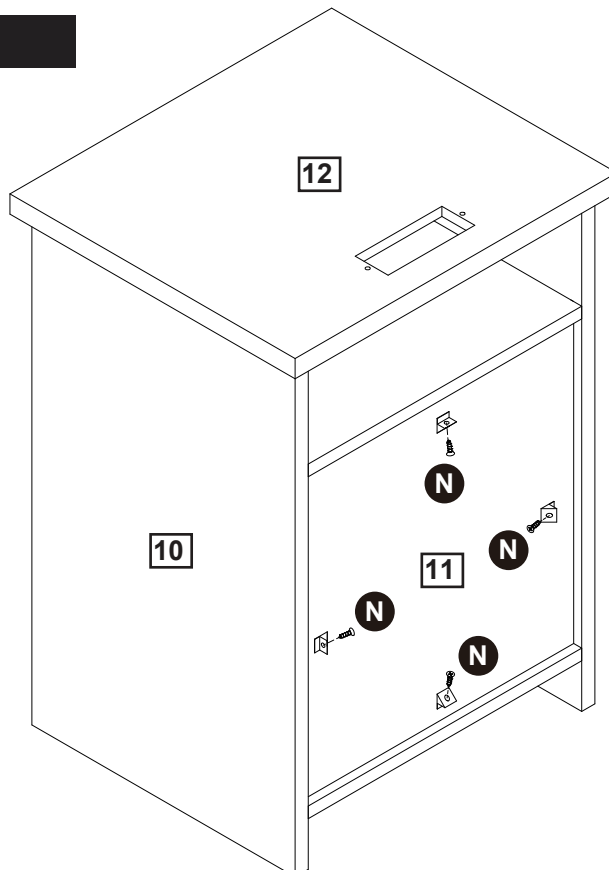
**B**   
B x 8




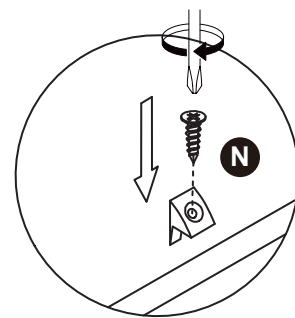
Attach part (12) to part (9, 10), then insert and secure cam lock (B) to part (9, 10) to lock it.

## Step 25

**x 2**



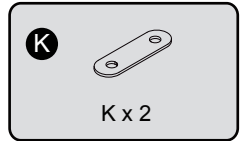
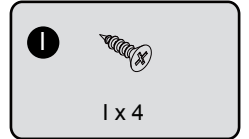
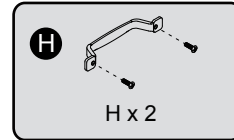
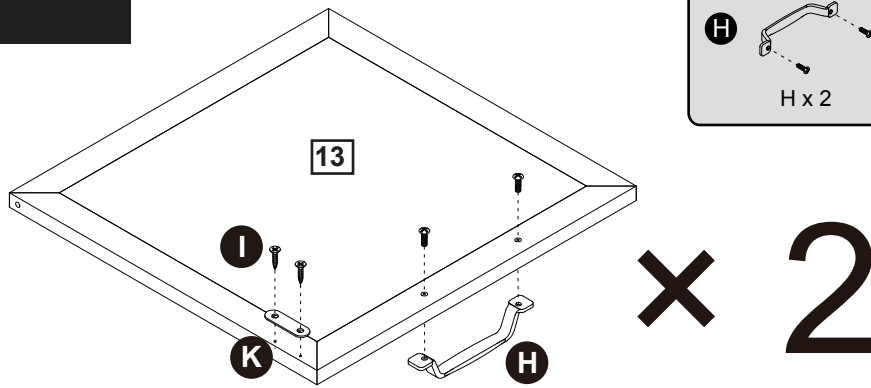
**N**   
N x 8



Attach plastic wedge (N) to part (11) using screw (N) with a screwdriver.

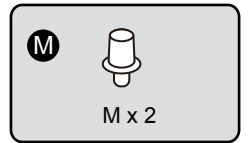
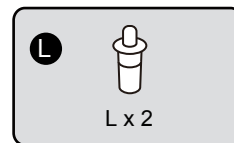
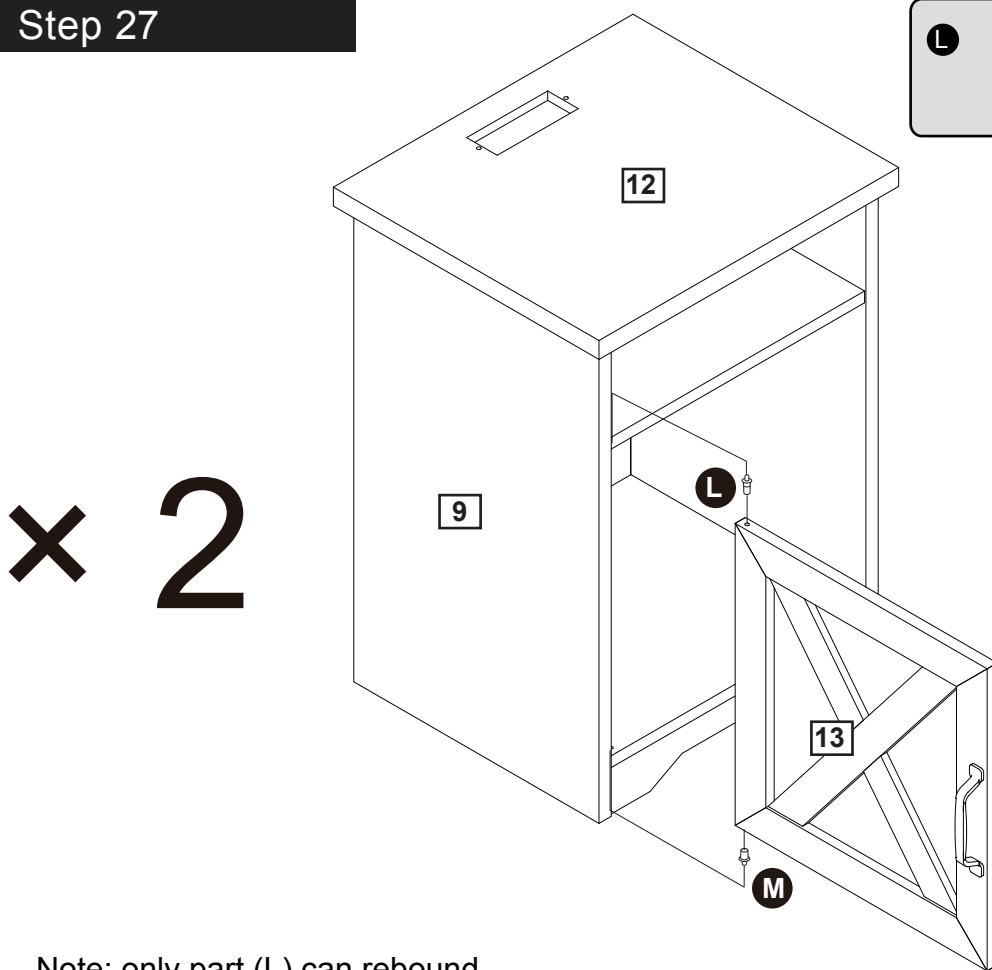
# Assembly Instructions

## Step 26

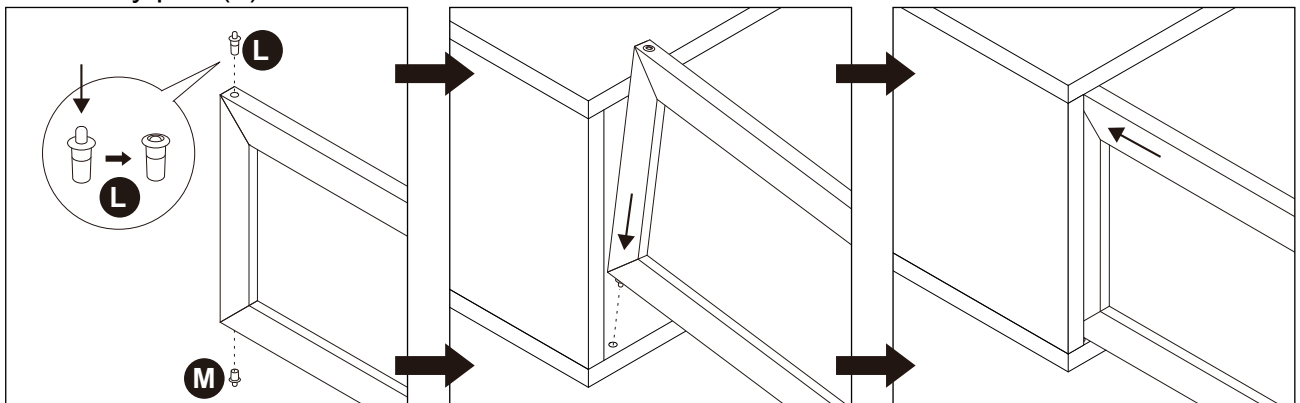


Attach handle (H) and metal plate (K) to part (13) using screw with a screwdriver.

## Step 27



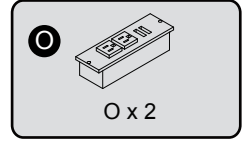
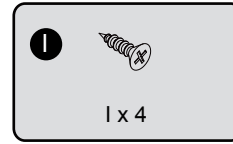
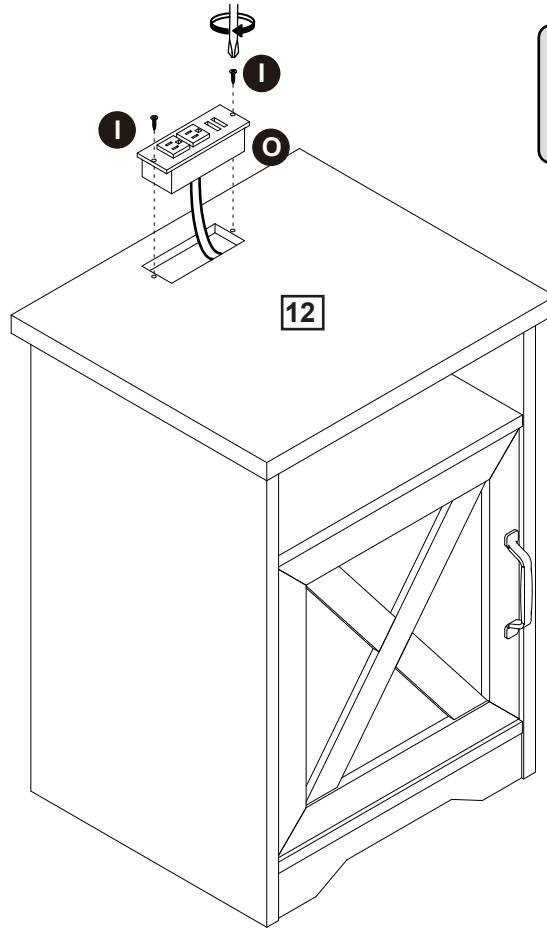
Note: only part (L) can rebound.



Assemble door to end table using plastic door pin (L, M).

# Assembly Instructions

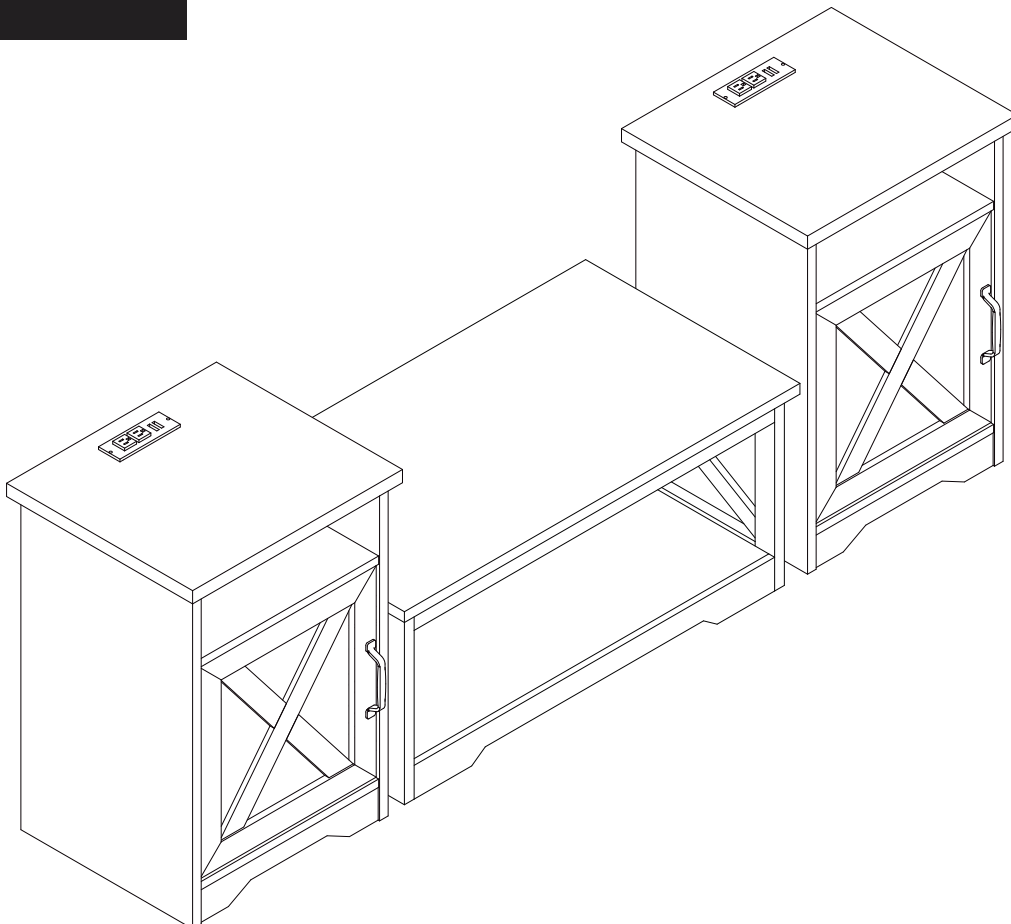
## Step 28



**x 2**

Attach recessed power strip (O) to part (12) using screw (I) with a screwdriver.

## Step 29



Assembly is complete