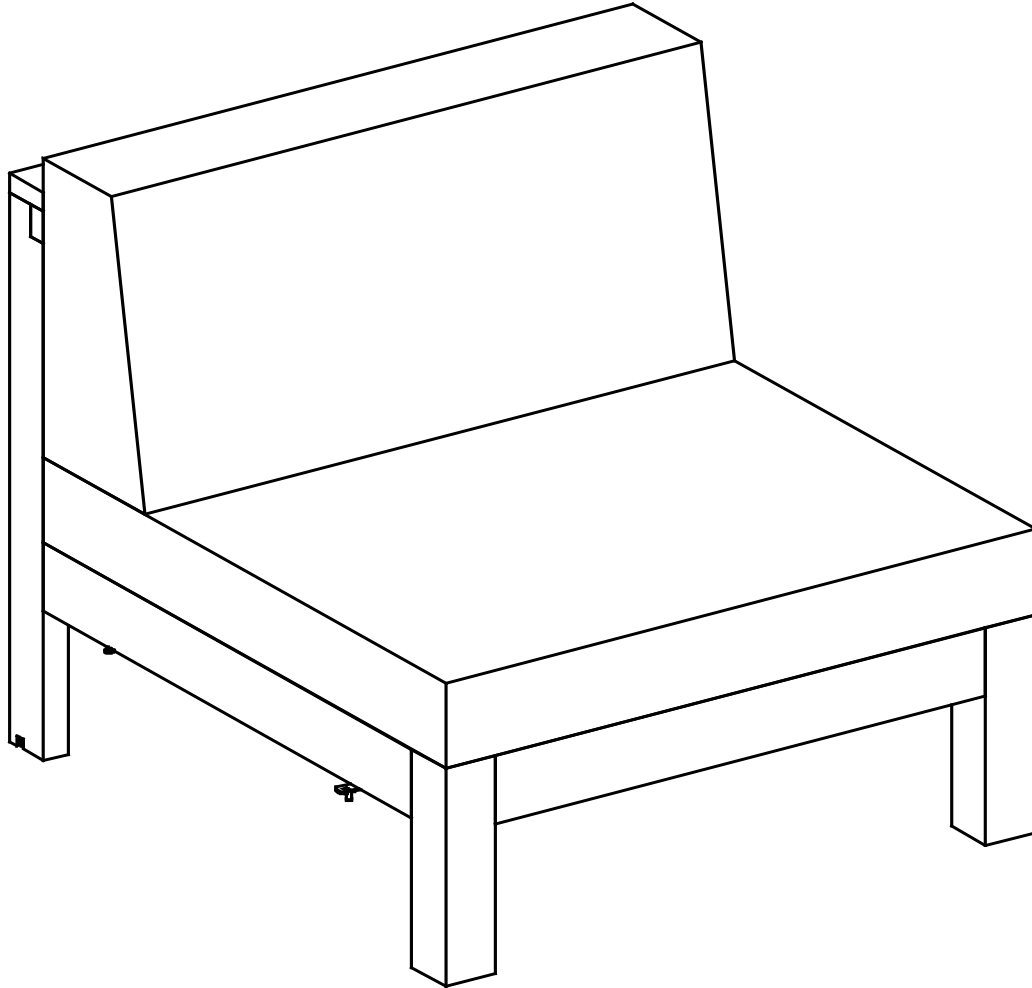


Assembly Instructions

CAUTION: You must read this before you proceed.

ARMLESS CHAIR

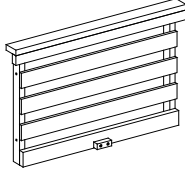
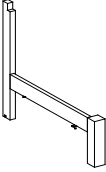
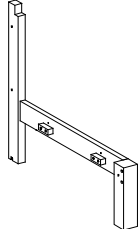
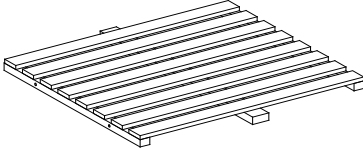
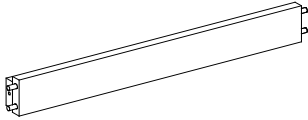
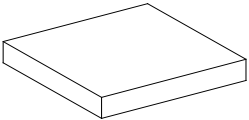
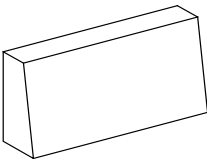


CAUTION : This Chair is NOT a TOY.

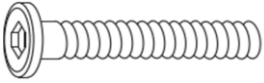


Keep your child / children at bay in the process of assembly.

For turning the Chair and to prevent damage to the Chair, 02 persons may be needed to execute this action.

Parts List

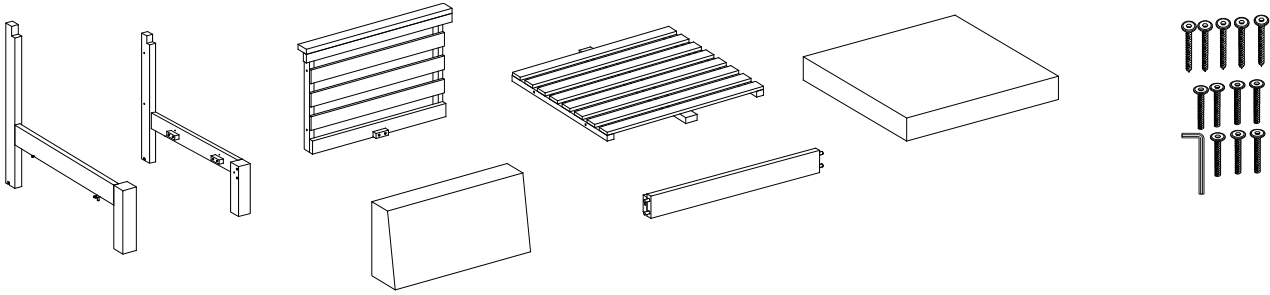
No.	Picture	Description	Qty
A		Backrest Panel	1
B		Left Arm Panel With Pre-installed Levellers	1
C		Right Arm Panel With Pre-installed Levellers	1
D		Seat Panel	1
E		Support Bar	1
F		Seat Cushion	1
G		Back Cushion	1






Hardware

No.	Picture	Description	Qty
①		Bolts (M6x35mm)	7
②		Screws (M6x45mm)	5
③		Allen Key	1

Assembly Preparation

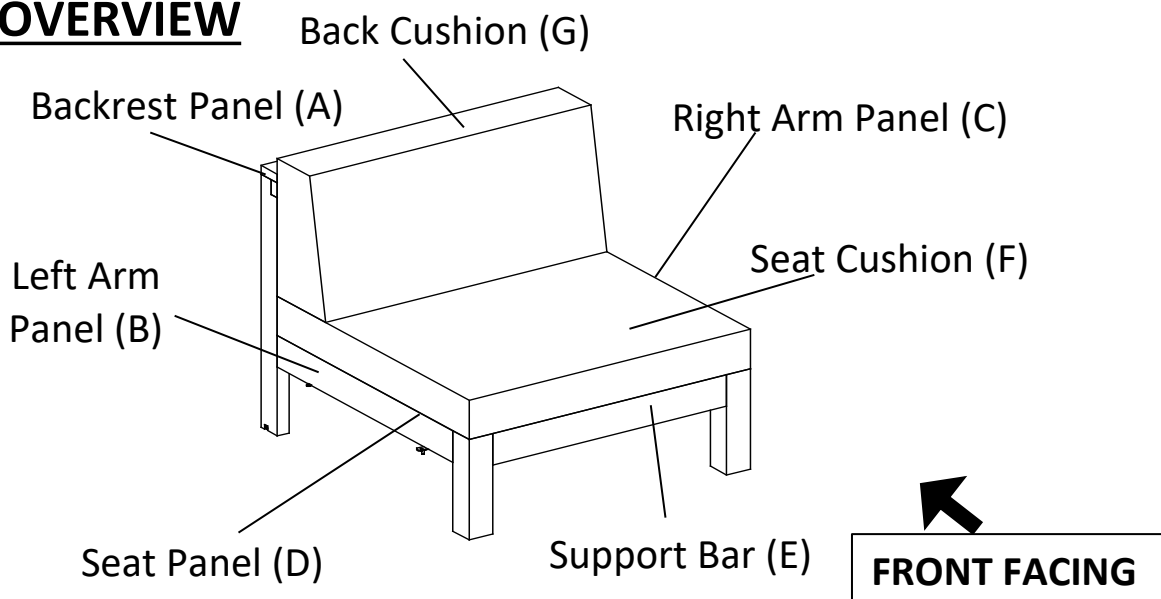
Before Beginning Assembly:



-  • Read instructions, cover to cover-
-  • Have 2 adults on hand for assembly-
-  • Do not assemble on flooring or carpet-
-  • Assemble on a clean non-marring surface (packing foam)-
-  • Save all packaging until finished-

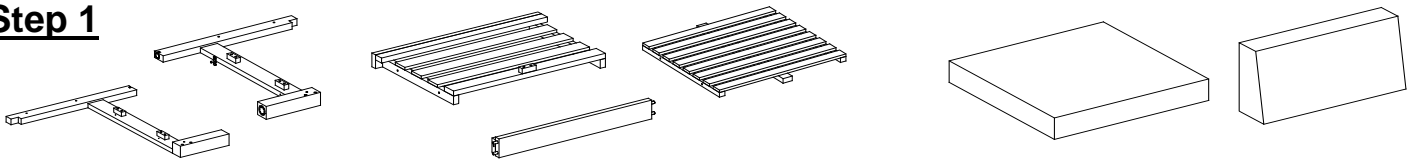
Assembly Steps

OVERVIEW



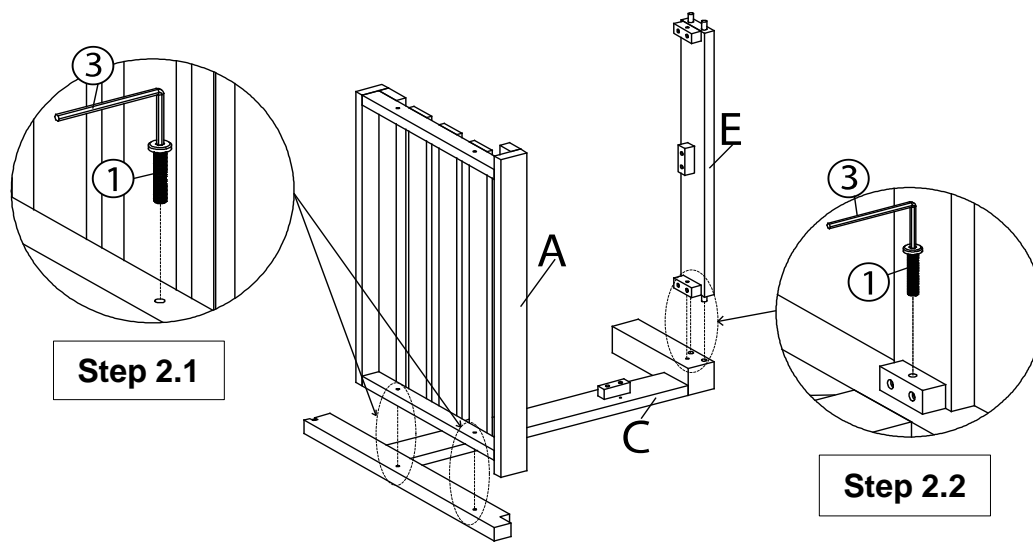
This Chair has multiple parts and may require up to 30 minutes to assemble. To give you an overview of the Chair parts, the above picture is to help you put the various parts into perspective. Please read through the instructions herebelow to familiarise the parts and steps before assembly.

Step 1



Unpack and place all parts on a clean, non-marring surface.

Step 2



Place the Right Arm Panel (C) with inside face skywards onto a clean, soft surface to avoid any scratches or damages to the product.

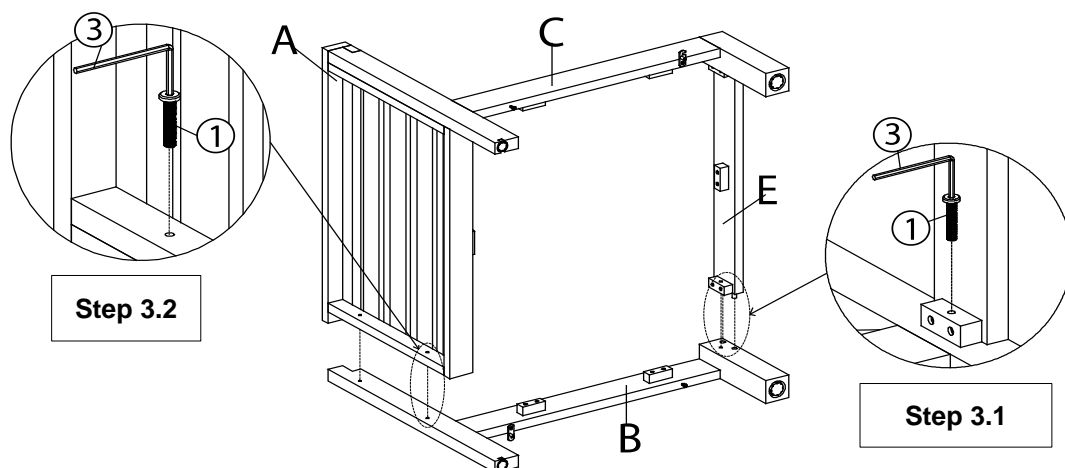
Step 2.1: Align the dowels of Support Bar (E) into the positions in the Right Arm Panel (C).

Then, affix Support Bar (E) with Right Arm Panel (C) by using Bolt (①) and Allen Key (③).

Step 2.2: Attach the Backrest Panel (A) onto Right Arm Panel (C) by using Bolts (①) and Allen Key (③).

DO NOT FULLY TIGHTEN BOLTS.

Step 3



Place Left Arm Panel (B) onto the assembled frame from Step 2

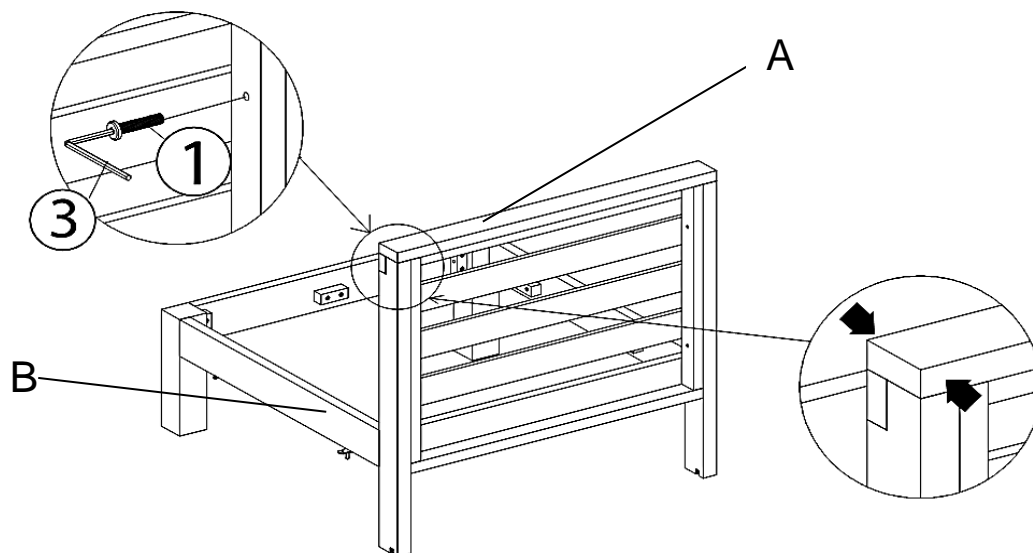
Step 3.1: Align the dowels of Support Bar (E) into the positions in the Left Arm Panel (B).

Then, affix Support Bar (E) with Left Arm Panel (B) by using Bolt (①) and Allen Key (③).

Step 3.2: Pre-attach the Left Arm Panel (B) onto Backrest Panel (A) by using Bolts (①) and Allen Key (③) as shown above.

DO NOT FULLY TIGHTEN BOLTS.

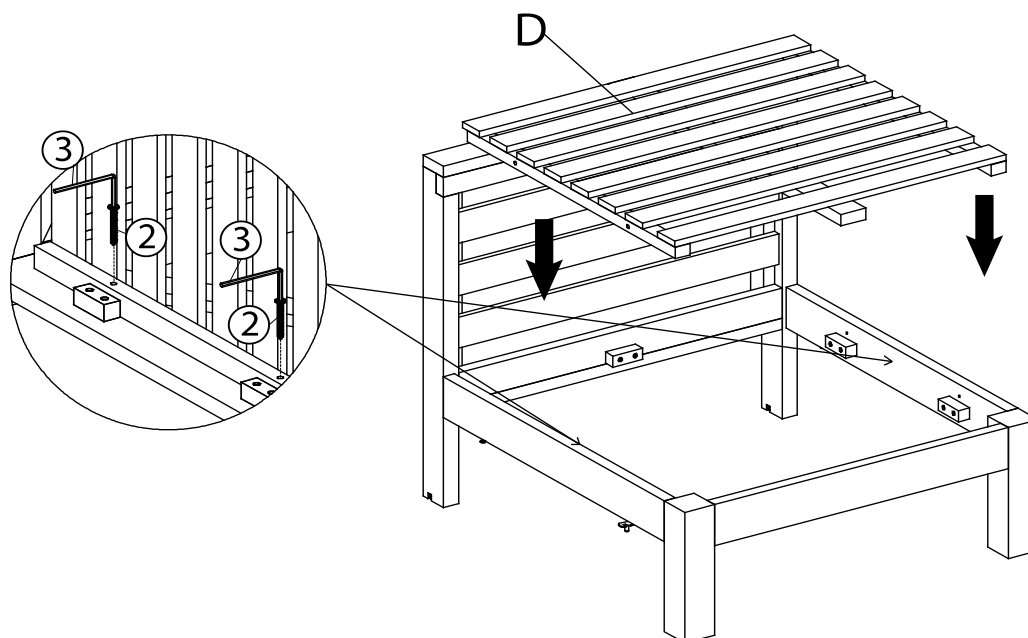
Step 4



With the help of your adult partner, place the assembled in Step 3 right side up as shown above.

By hand, hold Left Arm Panel (B) and Backrest Panel (A) together tightly then secure the Left Arm Panel (B) and Backrest Panel (A) by using Bolts (1) and Allen Key (3) as shown above.

Step 5



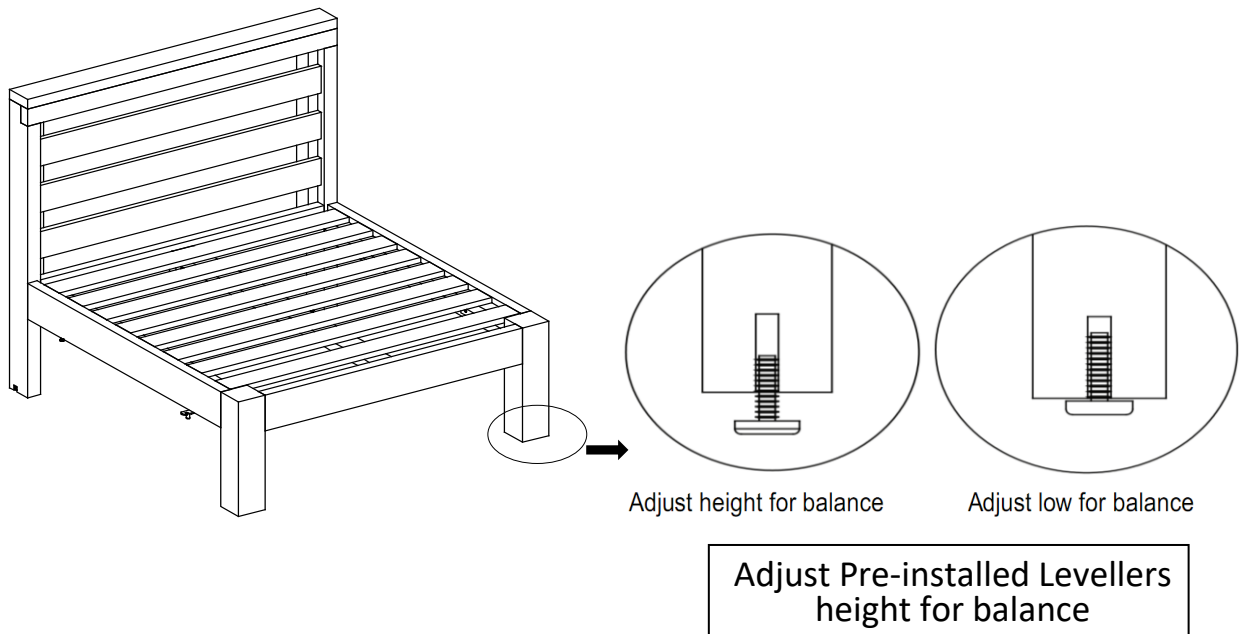
Attach the Seat Panel (D) into the Chair as shown in picture above.

Affix Seat Panel (D) with Corner Chair by using Screws (2) and Allen Key (3).

Note: Using Screws (2) from inside to outside of Seat Panel (D)

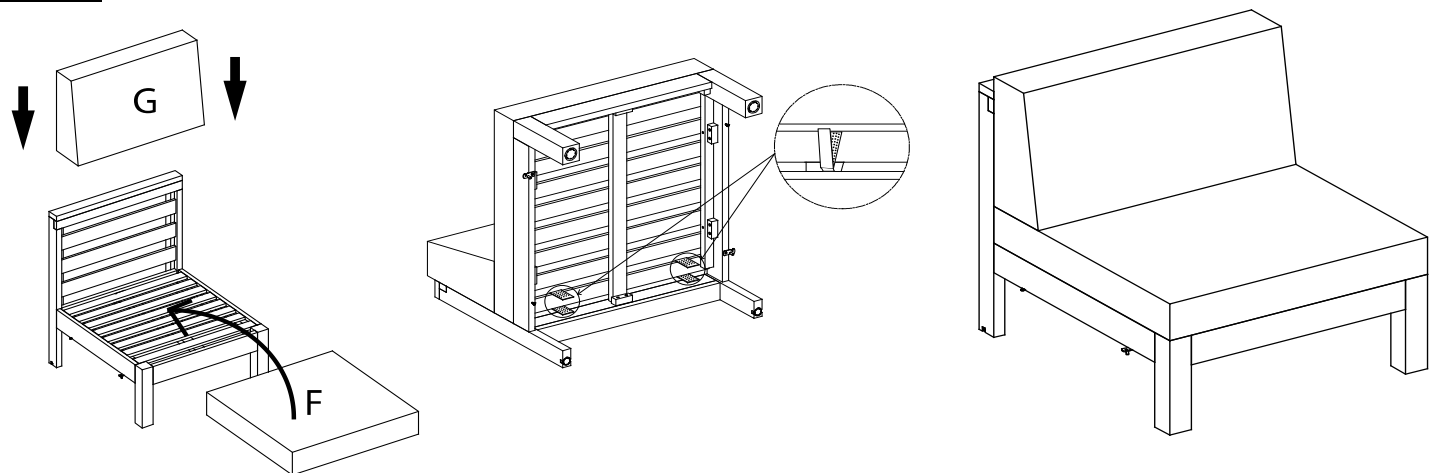
DO NOT FULLY TIGHTEN SCREWS.

Step 6



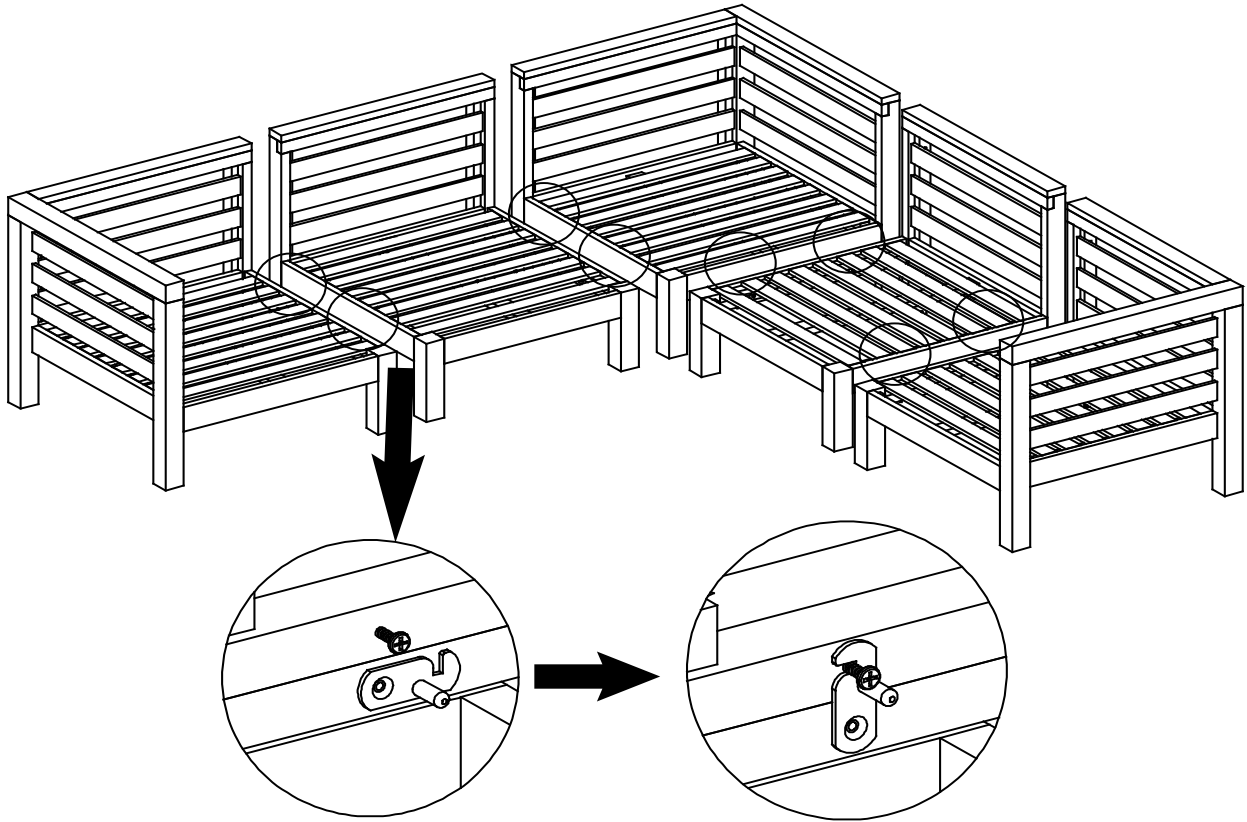
Inspect the Chair and make sure all parts are adequately connected. In a sequential manner, tighten all Screws and Bolts at all joints. **With assistance from your adult partners, adjust the Levellers to desired height to avoid wobbles.**

Step 7



Turn the Chair right side up. Place Seat Cushion (F), Left Back Cushion (G) to Seat Panel (D). Inspect it and make sure all parts are adequately connected. Ensure all screws, bolts are fully locked into position and secured. The Chair is ready to be used. **Caution: This Chair can only be used on a flat, level surface.**



















Step 8



Note: This is optional step in case we want to connect all chairs in a set together and should be done before placing cushion

With assistance from your adult partners, up side down the chairs and using pre-fixed clip to connect the chairs together

Care & Maintenance

-   ● Do not put hot items directly on furniture surface
 -   ● Do not clean furniture with harsh cleansers or polish.
 -   ● To obtain the longest lifespan of your outdoor products, minimizing exposure to direct sunlight is recommended.
 -   ● Children should not climb or jump on the furniture.
 -   ● Do not write on furniture without a padded barrier to protect the surface.
 -   ● To obtain the longest lifespan of your outdoor products, avoid extended and lengthy exposure to rain, snow, and direct sunshine. Whenever possible cover the product and /or place under patio or awnings.
 -   ● Not for commercial use. For residential use only .
 -   ● Stains may be removed with mild soap solution and damp cloth.
-
-   ● Dust and pick-up spills using a clean, non-colored, lint-free cloth .