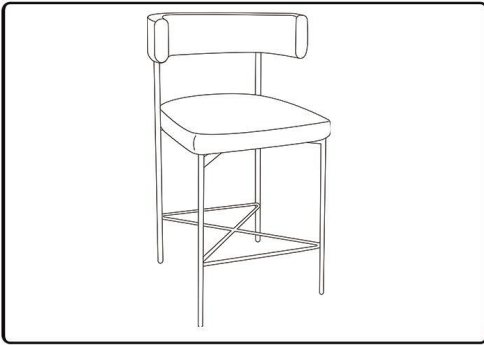


# ASSEMBLY INSTRUCTIONS



**+ Do Not Use Power Tools**



**+ Suggested Adults**



## NOTE:

- 1 Read instructions cover to cover.
- 2 Save all packaging until assembly is completed.

## 1 IMPORTANT SAFETY INFORMATION

**Do not** assemble the product if any of the following parts arrived damaged:

Part# ① - backrest Part# ④ - right leg 4#  
 Part# ② - cushion Part# ⑤ - bracket  
 Part# ③ - left leg 3#

**Do not** assemble if any of the following Hardware parts are missing:

Part# A - Flat Washer ( $\phi 16 * \phi 6$ ) 5PCS  
 Part# B - Bolt (M6\*25) 4PCS  
 Part# C - Bolt (M6\*35) 2PCS  
 Part# D - Bolt (M6\*35) 1PC  
 Part# E - Bolt (M6\*55) 4PCS  
 Part# F - Allen wrench (4mm) 1PC  
 Part# G - Spring Washer ( $\phi 12 * \phi 6$ ) 5PCS

## 2 IMPORTANT ASSEMBLY INFORMATION

**Assembly Step** If loosening persists, please make sure to tighten all the bolts periodically, or use a thread locker adhesive.

## + Parts Included

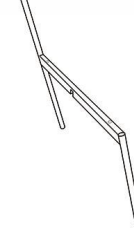
① backrest



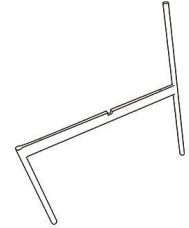
② cushion



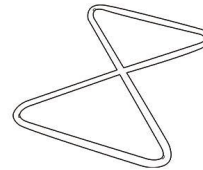
③ left Leg 3#



④ right Leg 4#



⑤ bracket



## + Hardware Included

Flat Washer ( $\phi 16 * \phi 6$ )

**A** 5PCS



Bolt (M6\*25)

**B** 4PCS



**C** Bolt (M6\*35)

2PCS



**D** Bolt (M6\*35)

1PC



**E** Bolt (M6\*55)

4PCS



**F** Allen wrench (4mm)

1PC



**G** Spring Washer ( $\phi 12 * \phi 6$ )

5PCS

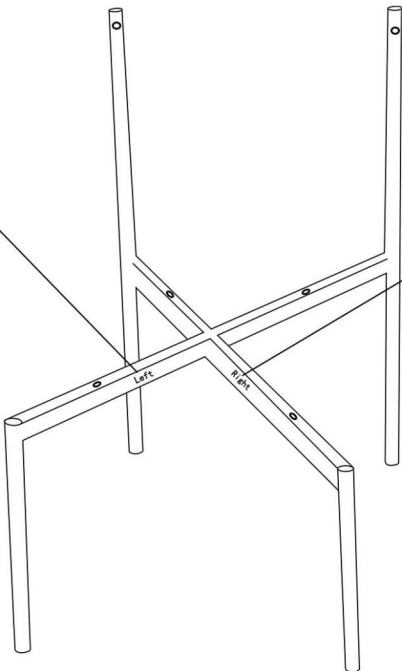


# ASSEMBLY INSTRUCTIONS

1

③ Left

Right ④



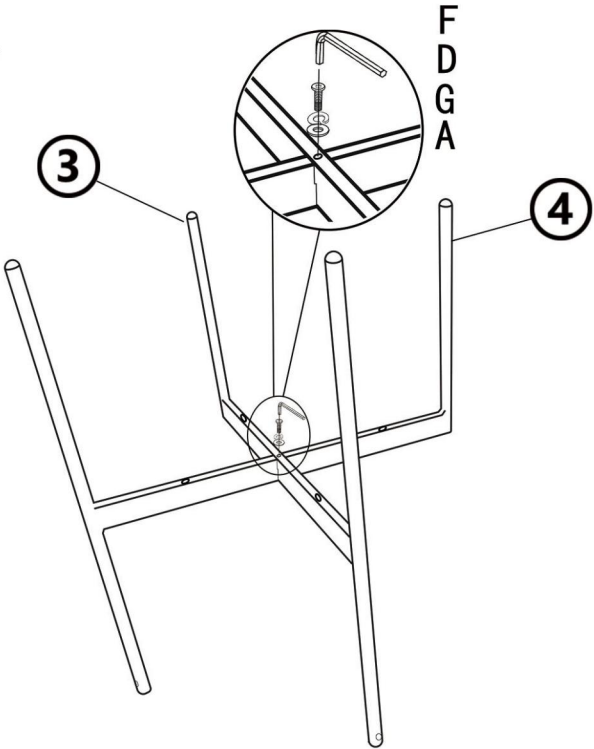
2



③

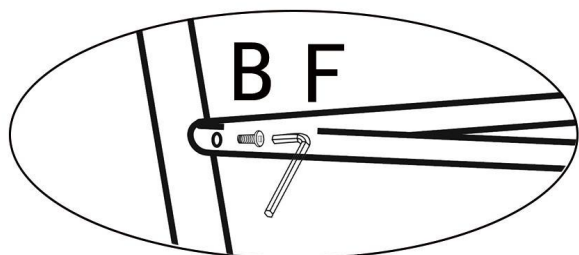
④

F  
D  
G  
A



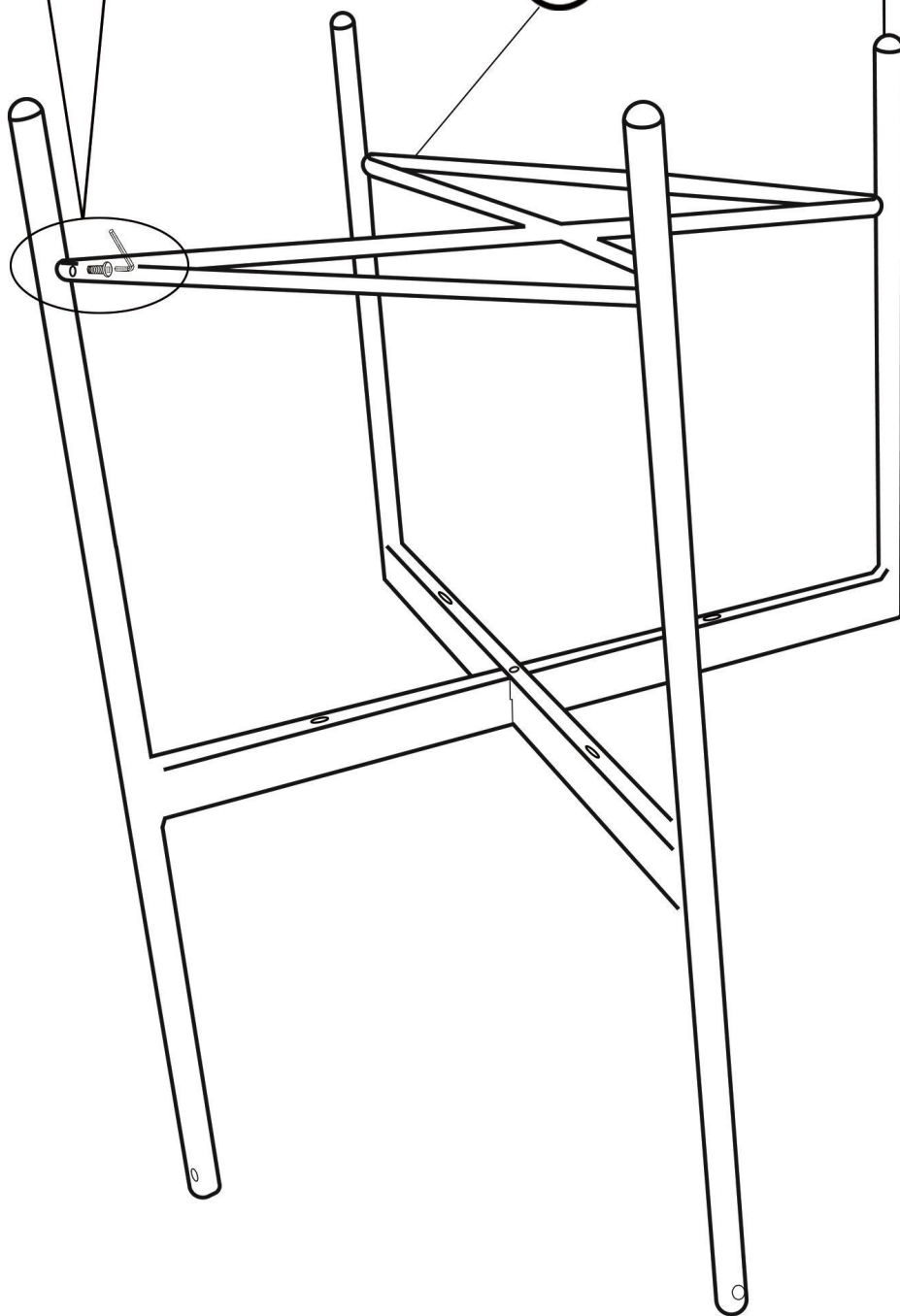
# ASSEMBLY INSTRUCTIONS

3



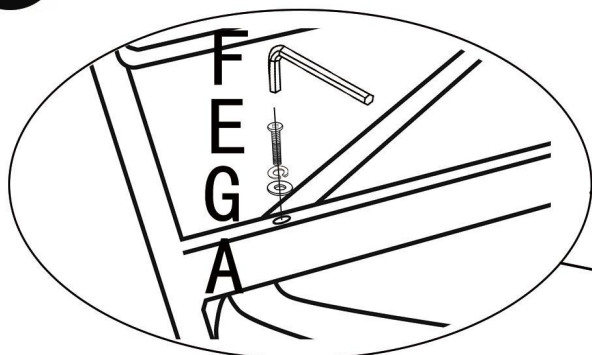
Adjustable  
Cap

5

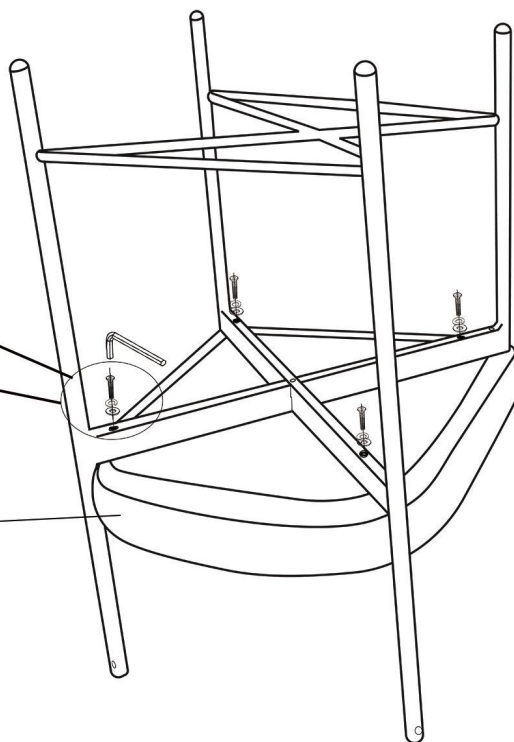


# ASSEMBLY INSTRUCTIONS

4

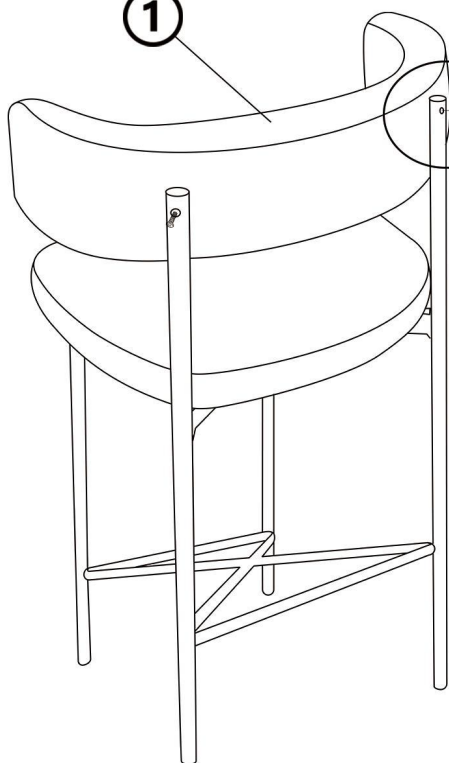


2



5

1



C F

