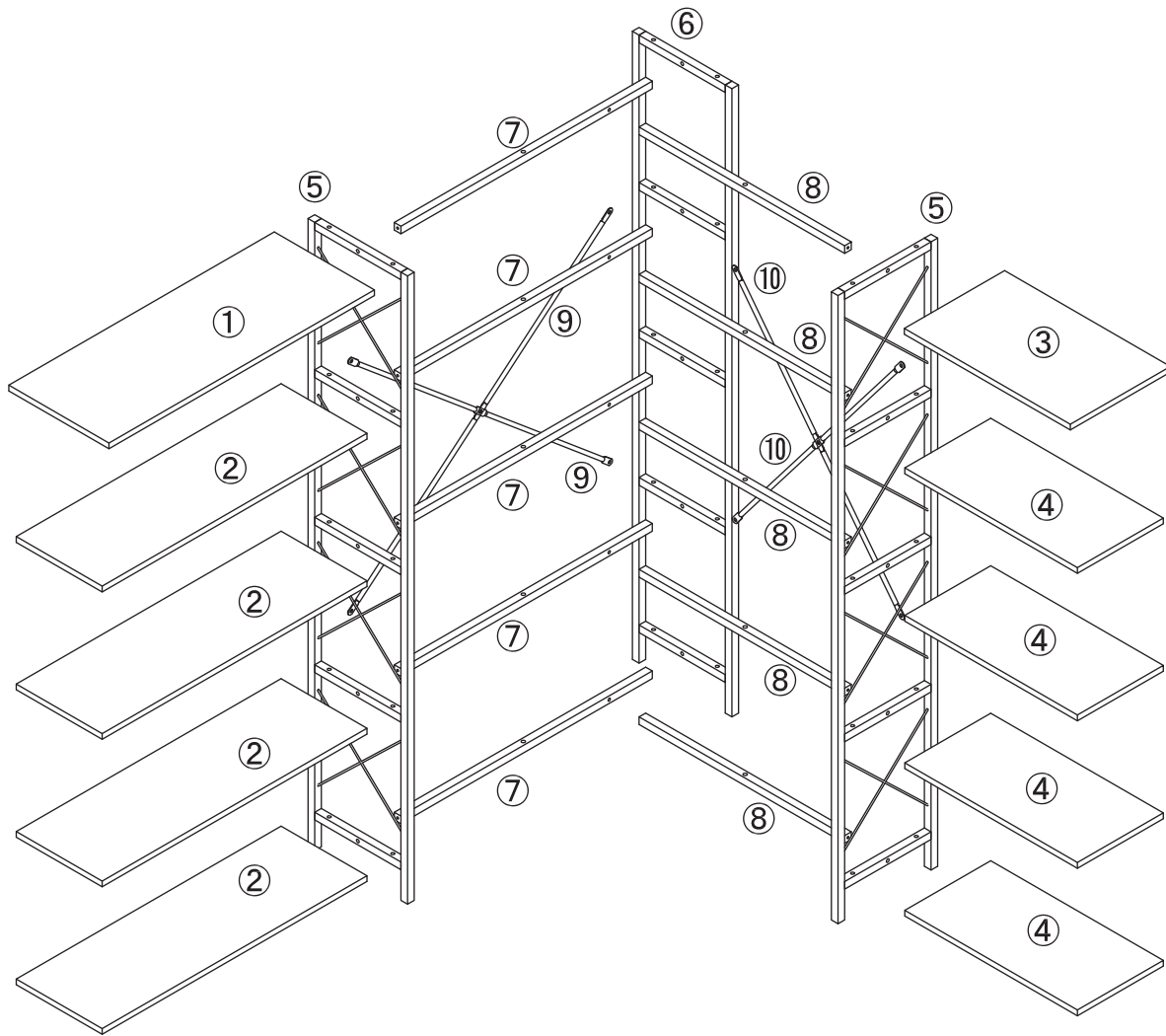


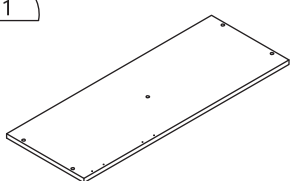
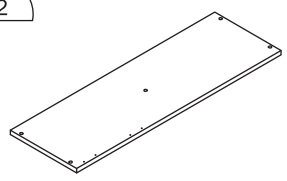
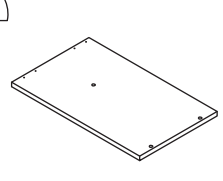
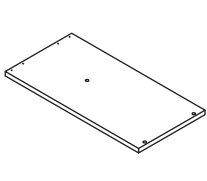
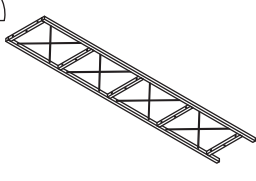
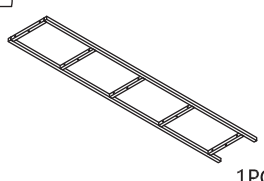
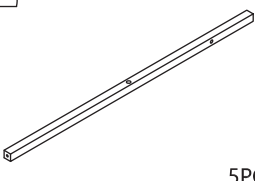
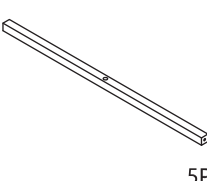
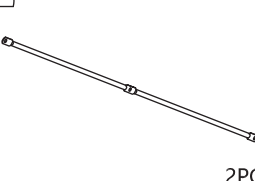
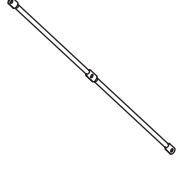
ASSEMBLY INSTRUCTION

ITEM:

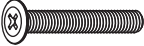



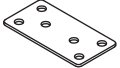


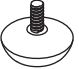

Decomposition of components



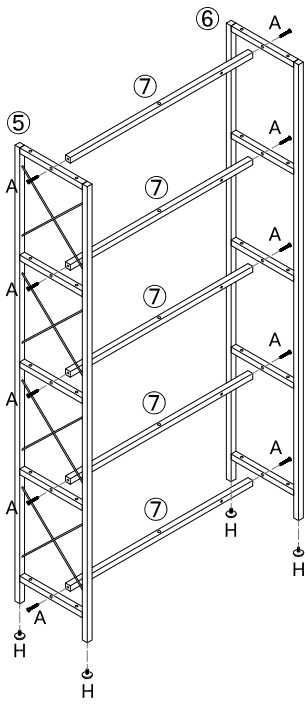
Please check the board number and number



1  1PC	2  4PCS	3  1PC	4  4PCS	5  2PCS
6  1PC	7  5PCS	8  5PCS	9  2PCS	10  2PCS

Please check the number and quantity

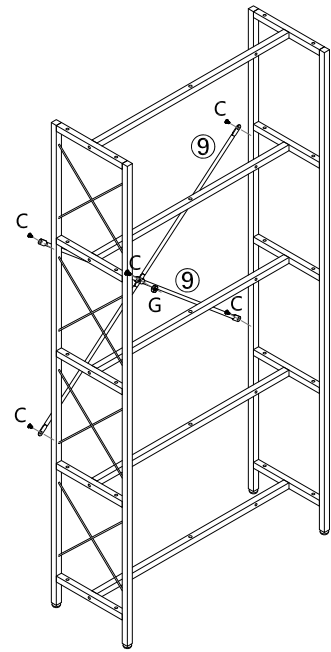
A  M6*40 20PCS	B  M6*30 40PCS	C  M6*12 10PCS	D  M3.5*14 40+4PCS	E  10PCS	F  2PCS
G  M6 2PCS	H  6PCS	 1PC			


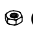
STEP 1



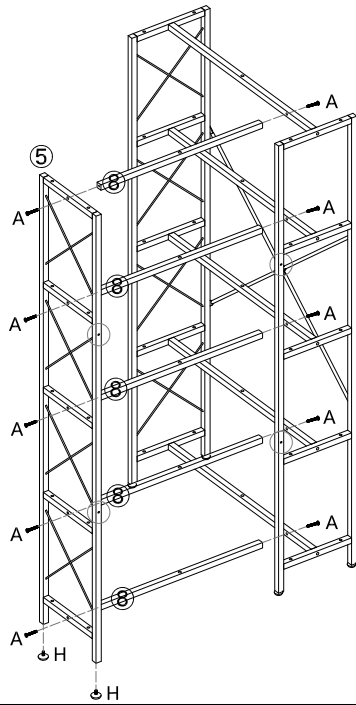
 A X 10PCS
 H X 4PCS



STEP 2



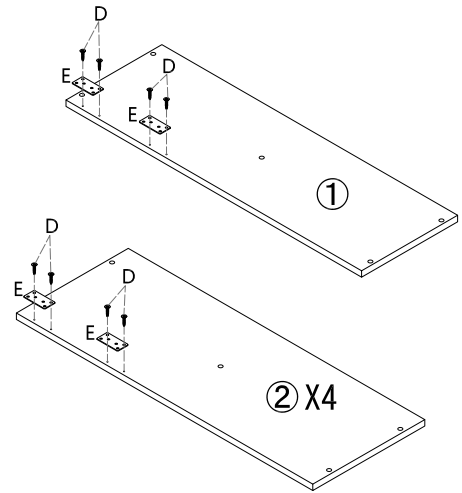
 C X 5PCS
 G X 1PC



STEP 3



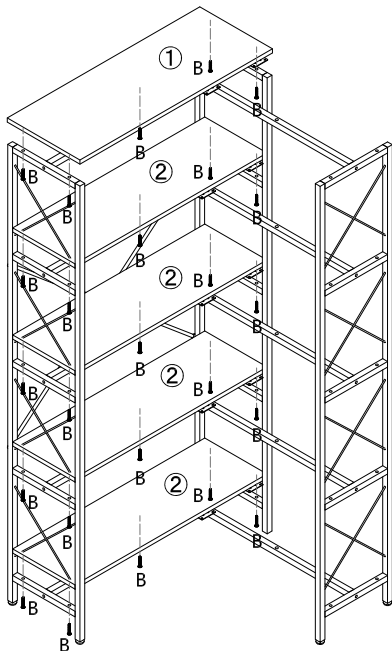
 A X 10PCS
 H X 2PCS


STEP 4



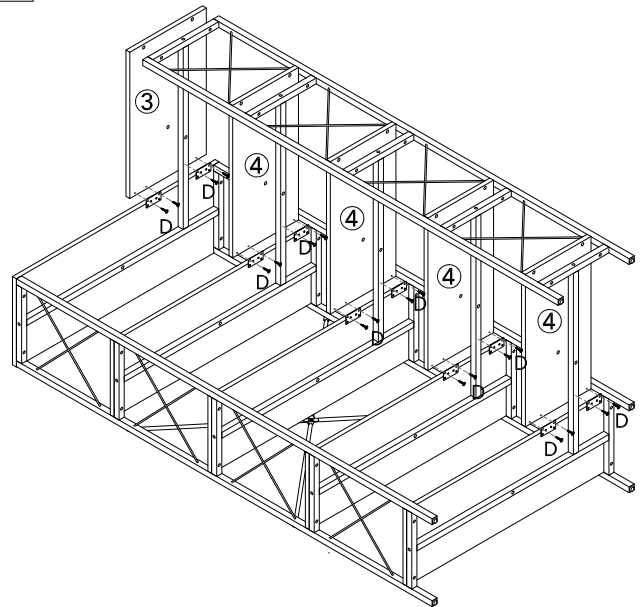
 D X 20PCS
 E X 10PCS

STEP 5



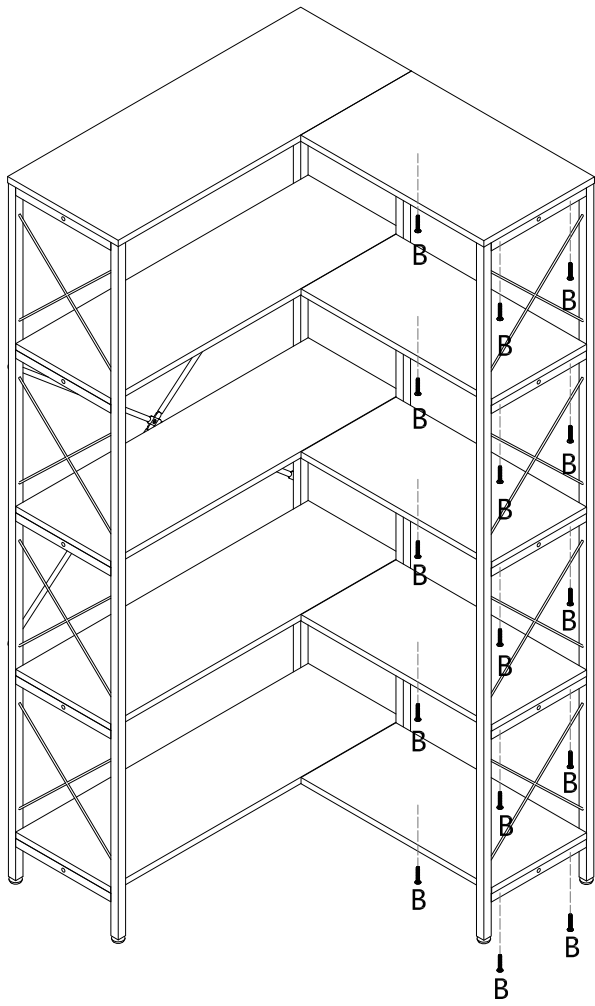
 B X 25PCS

STEP 6



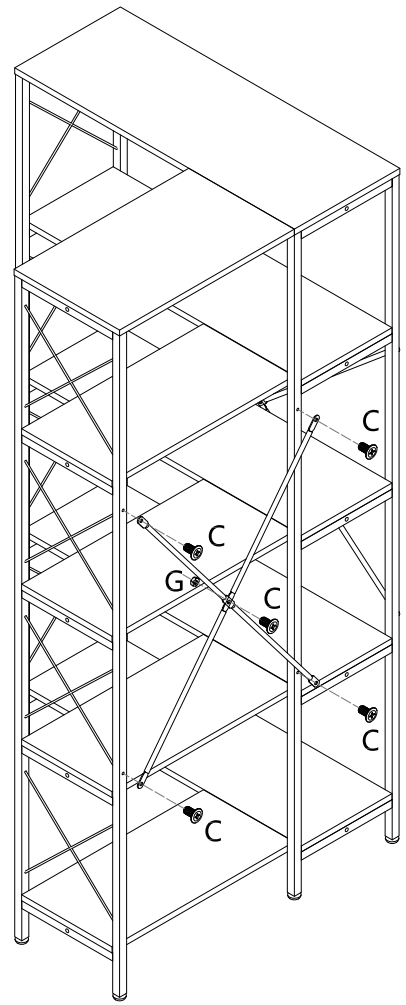
 D X 20PCS

STEP 7



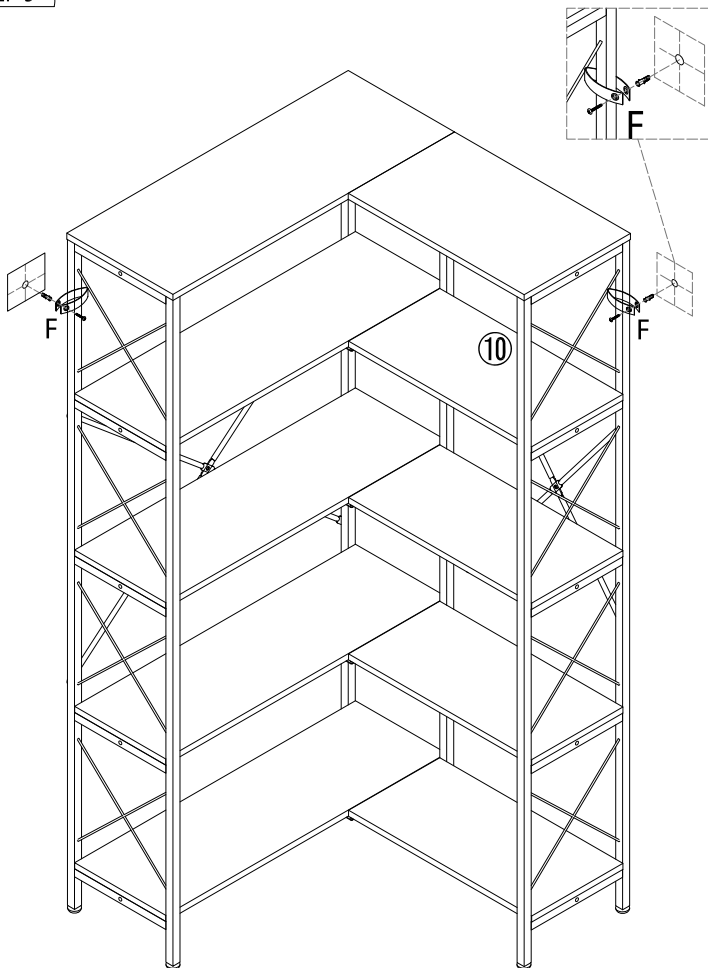
B X 15PCS

STEP 8



C X 5PCS
G X 1PC

STEP 9



F X 2PCS

