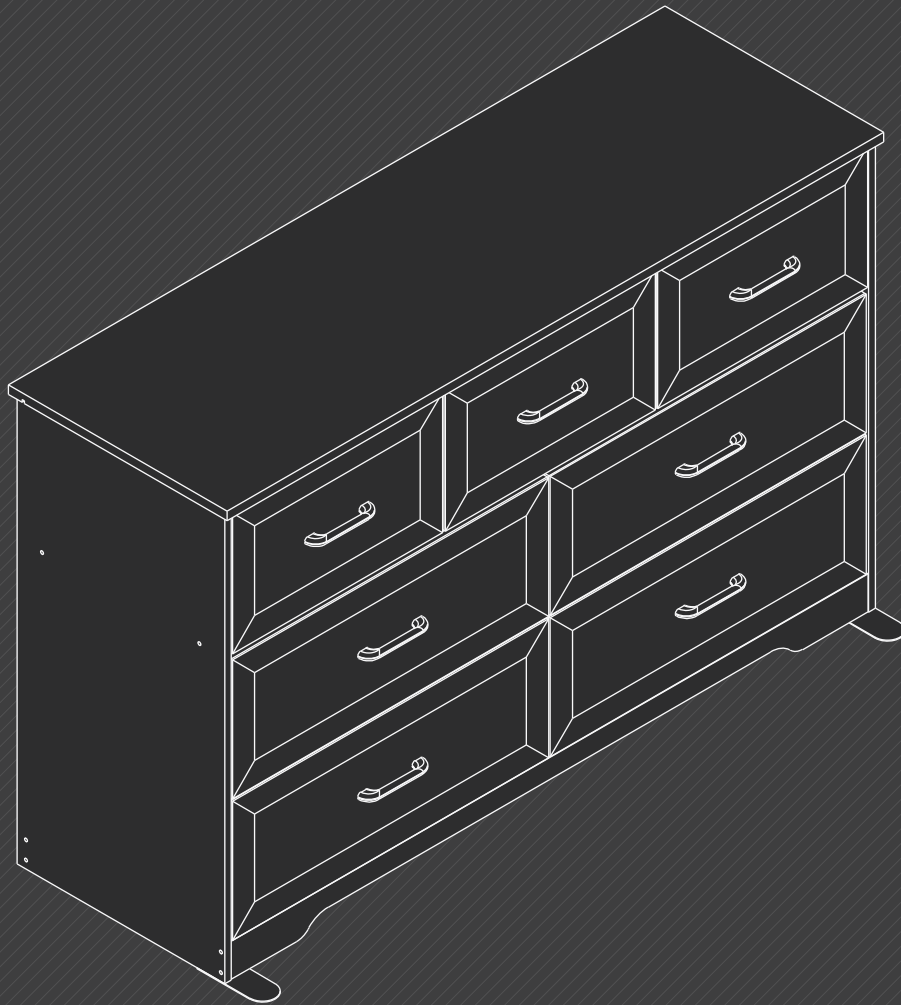




# MINIMALIST FARMHOUSE DRESSER WITH 4+3 DRAWERS



USER MANUAL



# Contents

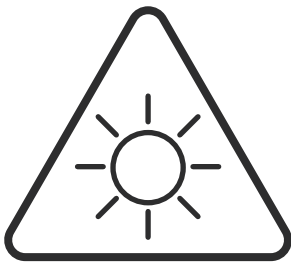
TOPIC		PAGE
<b>01</b>	<b>SAFETY INSTRUCTIONS</b>	<b>01-01</b>
	1-1 Thank You For Choosing Our Product	01
	1-2 Precautions	01
<b>02</b>	<b>INSTALLING MODULES</b>	<b>02-23</b>
	2-1 Disassembly Diagram	02
	2-2 Parts List	03-05
	2-3 Assembly Instructions	06-23
<b>03</b>	<b>CUSTOMER SERVICE</b>	<b>24</b>
	3-1 30-Day Return Policy	24
	3-2 1-Year Warranty	24
	3-3 Quick Response Within 24 Hours	24
<b>04</b>	<b>PROBLEMS YOU MAY ENCOUNTER</b>	<b>25</b>
	4-1 Problems You May Encounter	25

# Safety Instructions

## Thank You For Choosing Our Product

Before assembly, please read this USER MANUAL first, and check according to Parts List to make sure all parts are included. Feel free to contact us if you have any concerns or questions about your product, we are always ready to help. Your satisfaction is our first priority!

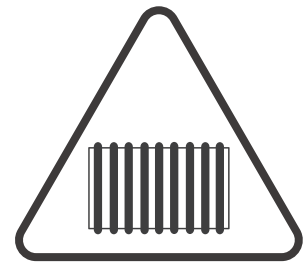
## Precautions



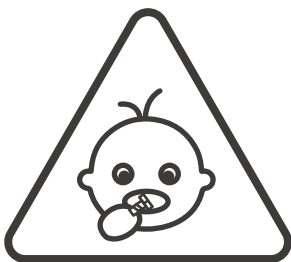
- Avoid long-term direct sunlight exposure.



- Keep away from sharp objects.



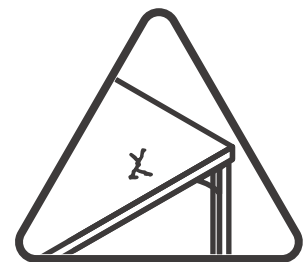
- Keep away from heat.



- Keep infants/children away from assembly parts to avoid choking and suffocation.

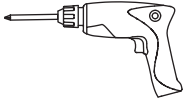


- Keep away from corrosive substances.

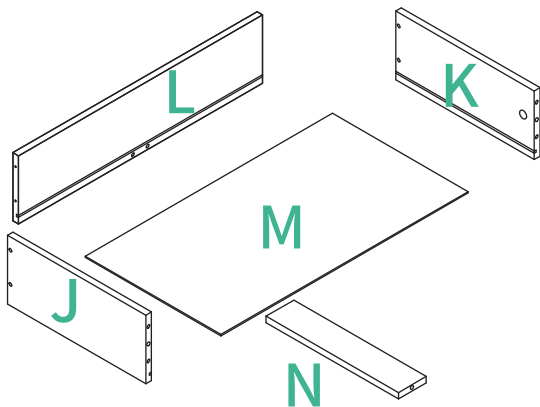
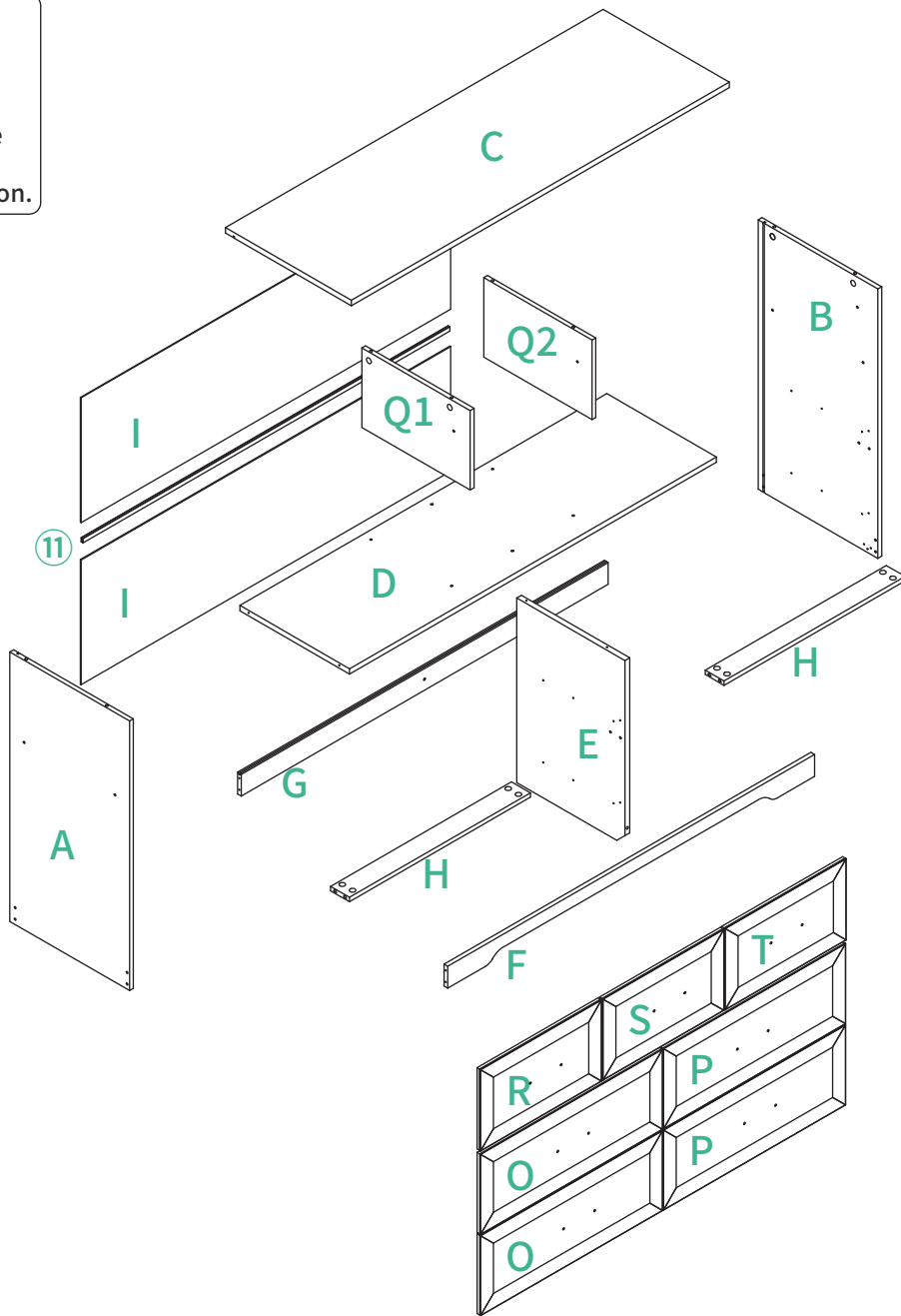


- Pay attention to avoid over-tightening fasteners, or they may induce cracking within the board.

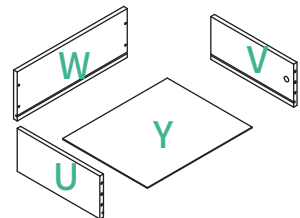
# Disassembly Diagram



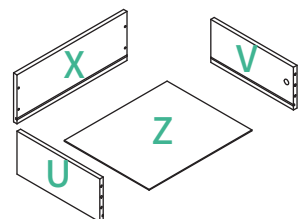
Recommend to use an electric drill to finish the installation.



x4



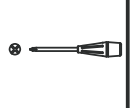
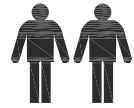
x2

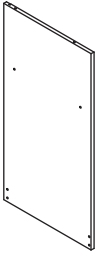

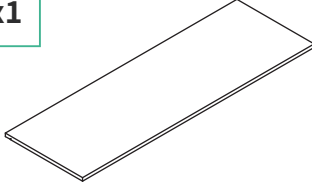
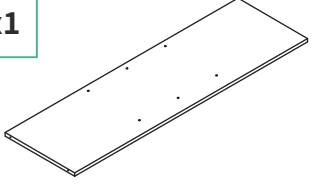
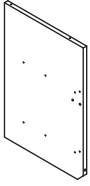
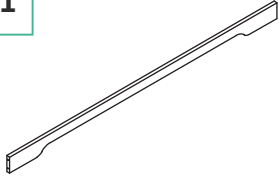
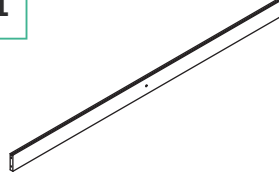
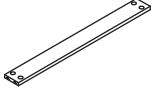
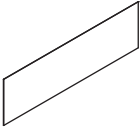
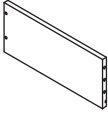
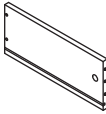
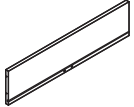
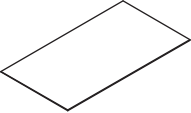

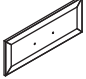
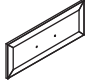
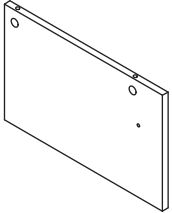
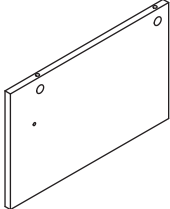
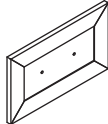
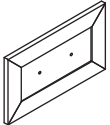


x1

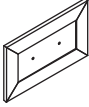
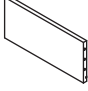
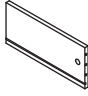
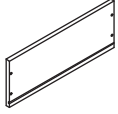
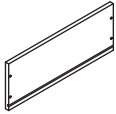
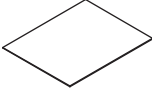
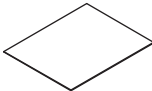
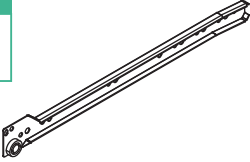
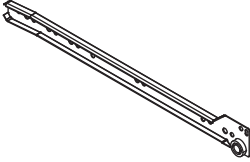
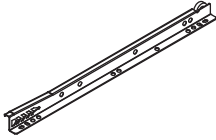
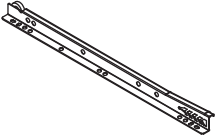
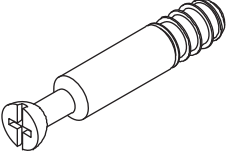
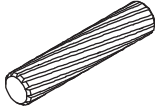

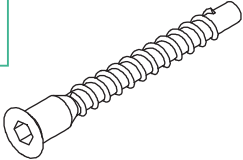

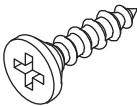
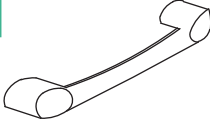
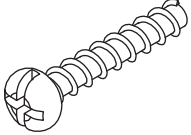
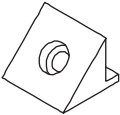
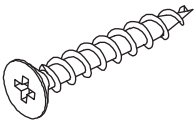

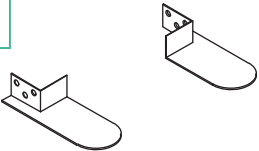
# Parts List

For ease and safety, we recommend two people for assembly.

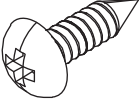
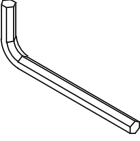
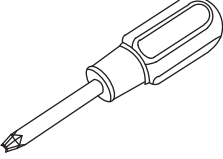
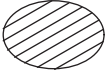


<b>A</b> x1 	<b>B</b> x1 	<b>C</b> x1 	<b>D</b> x1 
<b>E</b> x1 	<b>F</b> x1 	<b>G</b> x1 	<b>H</b> x2 
<b>I</b> x2 	<b>J</b> x4 	<b>K</b> x4 	<b>L</b> x4 
<b>M</b> x4 	<b>N</b> x4 	<b>O</b> x2 	<b>P</b> x2 
<b>Q1</b> x1 	<b>Q2</b> x1 	<b>R</b> x1 	<b>S</b> x1 

# Parts List

<b>T</b> <b>x1</b> 	<b>U</b> <b>x3</b> 	<b>V</b> <b>x3</b> 	<b>W</b> <b>x2</b> 
<b>X</b> <b>x1</b> 	<b>Y</b> <b>x2</b> 	<b>Z</b> <b>x1</b> 	
<b>CL</b> <b>x4</b> 	<b>CR</b> <b>x4</b> 	<b>DL</b> <b>x4</b> 	<b>DR</b> <b>x4</b> 
<p><b>Note: Disassemble bundled rails and classify by code.</b></p>			
<b>1</b> <b>x38</b>  <p><b>3 Spares</b></p>	<b>2</b> <b>x31</b>  <p><b>Φ6X30</b> <b>3 Spares</b></p>	<b>3</b> <b>x10</b>  <p><b>1 Spare</b></p>	<b>4</b> <b>x58</b>  <p><b>3 Spares</b></p>
<b>5</b> <b>x38</b>  <p><b>3 Spares</b></p>	<b>6</b> <b>x51</b>  <p><b>M3.5x12</b> <b>3 Spares</b></p>	<b>7</b> <b>x7</b> 	<b>8</b> <b>x16</b>  <p><b>M3.5x16.5</b> <b>2 Spares</b></p>
<b>9</b> <b>x13</b>  <p><b>2 Spares</b></p>	<b>10</b> <b>x13</b>  <p><b>M3x20</b> <b>2 Spares</b></p>	<b>11</b> <b>x1</b> 	<b>12</b> <b>x1</b> 

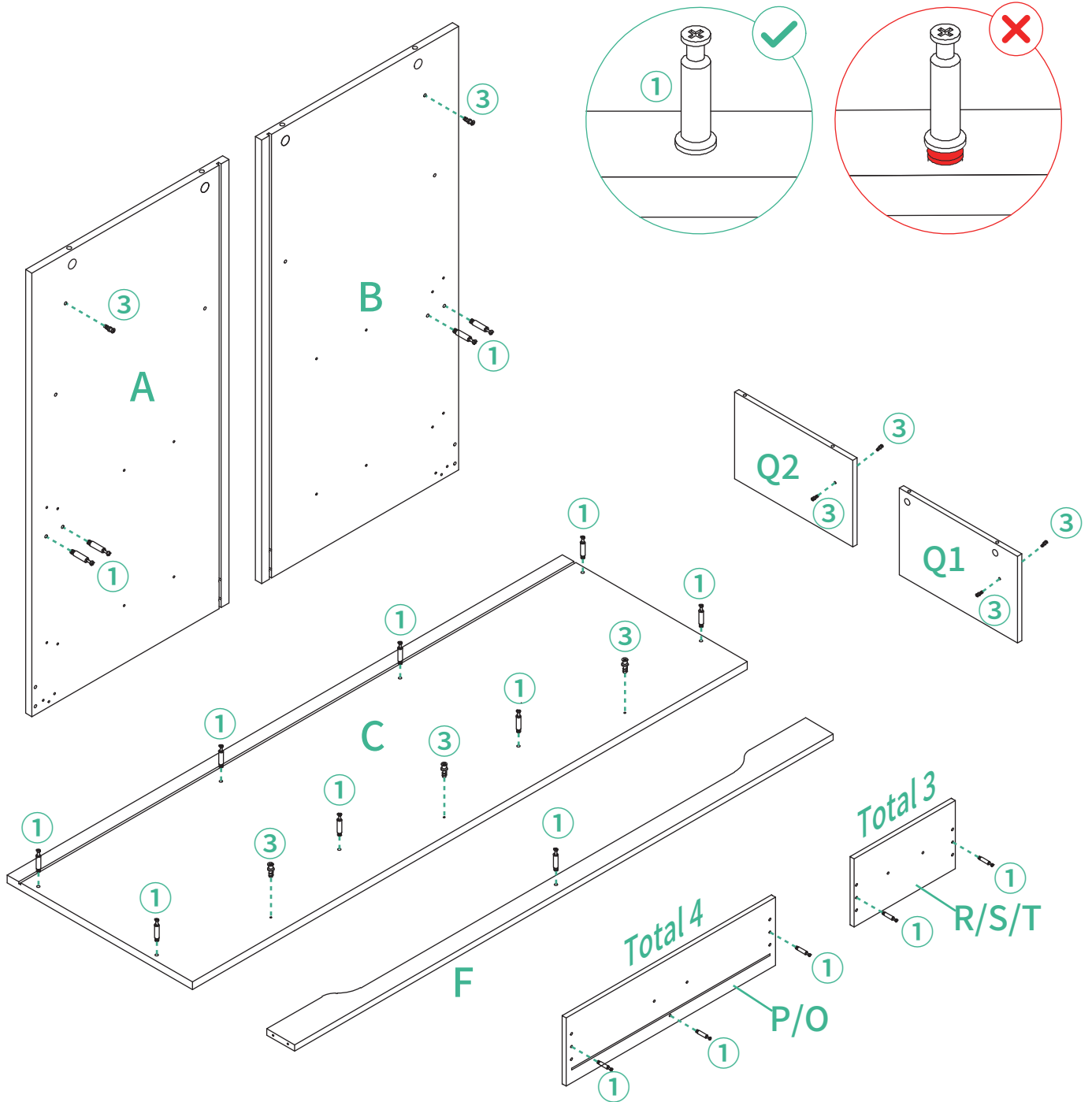
# Parts List

<p>13</p> <p>x7</p>  <p>M5x12.5</p> <p>1 Spare</p>	<p>14</p> <p>x2</p>  <p>1 Spare</p>	<p>15</p> <p>x1</p>  <p></p>	<p>16</p> <p>x29</p>  <p>3 Spares</p>
---	--	--	--

# Assembly Instructions

**1**

Before assembling the product, please pre-assemble accessories ① and ③. Please install each accessory correctly as shown in the diagram.

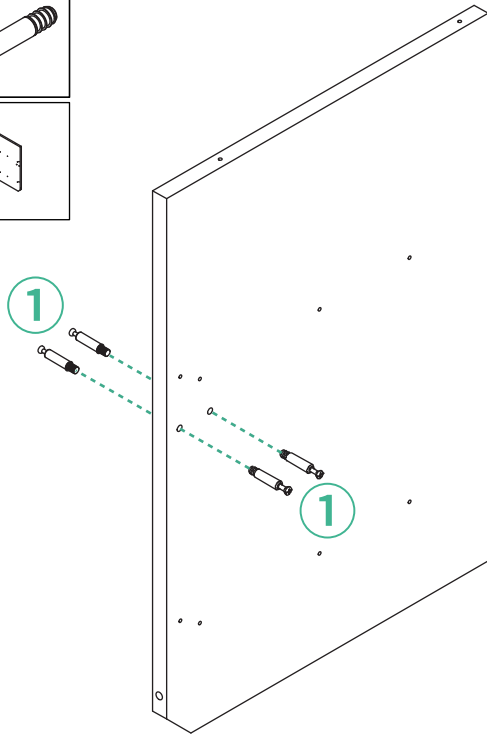
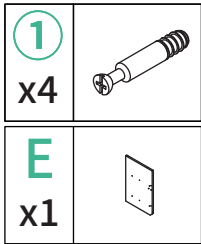


<b>A</b> x1		<b>B</b> x1		<b>C</b> x1		<b>F</b> x1		<b>O</b> x2		<b>P</b> x2		<b>Q1</b> x1	
<b>Q2</b> x1		<b>R</b> x1		<b>S</b> x1		<b>T</b> x1		<b>①</b> x31		<b>③</b> x9		<b>⑮</b> x1	

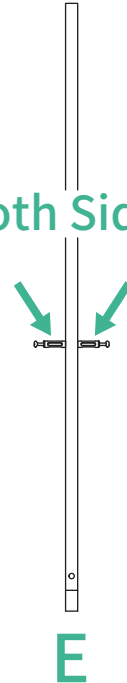
# Assembly Instructions

**2**

Before assembling the product, please pre-assemble accessories ①. Pay attention to installation on both the front and back sides.



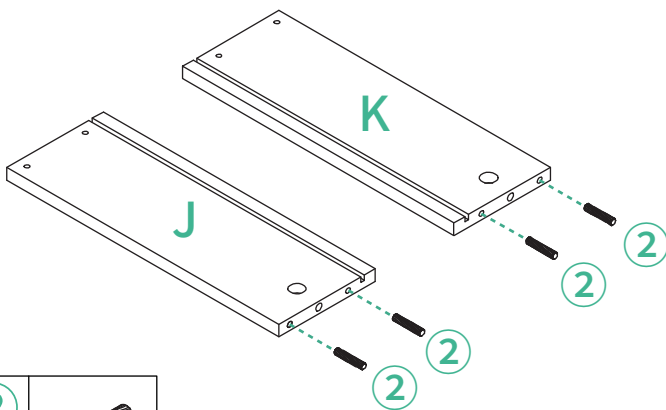
Both Sides



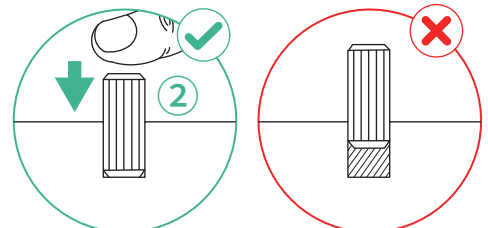
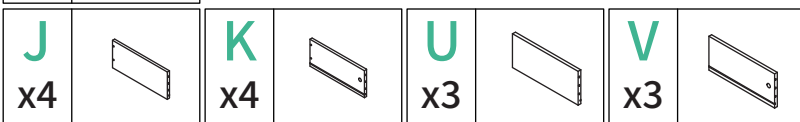
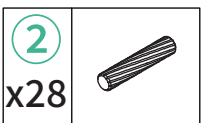
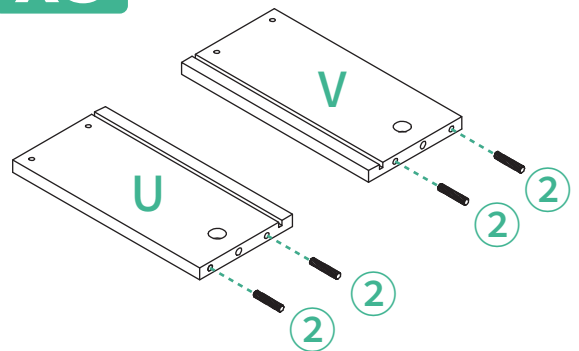
**3**

Before assembling the product, please pre-assemble accessories ②. Please install each accessory correctly as shown in the diagram.

**x4**




**x3**



# Assembly Instructions

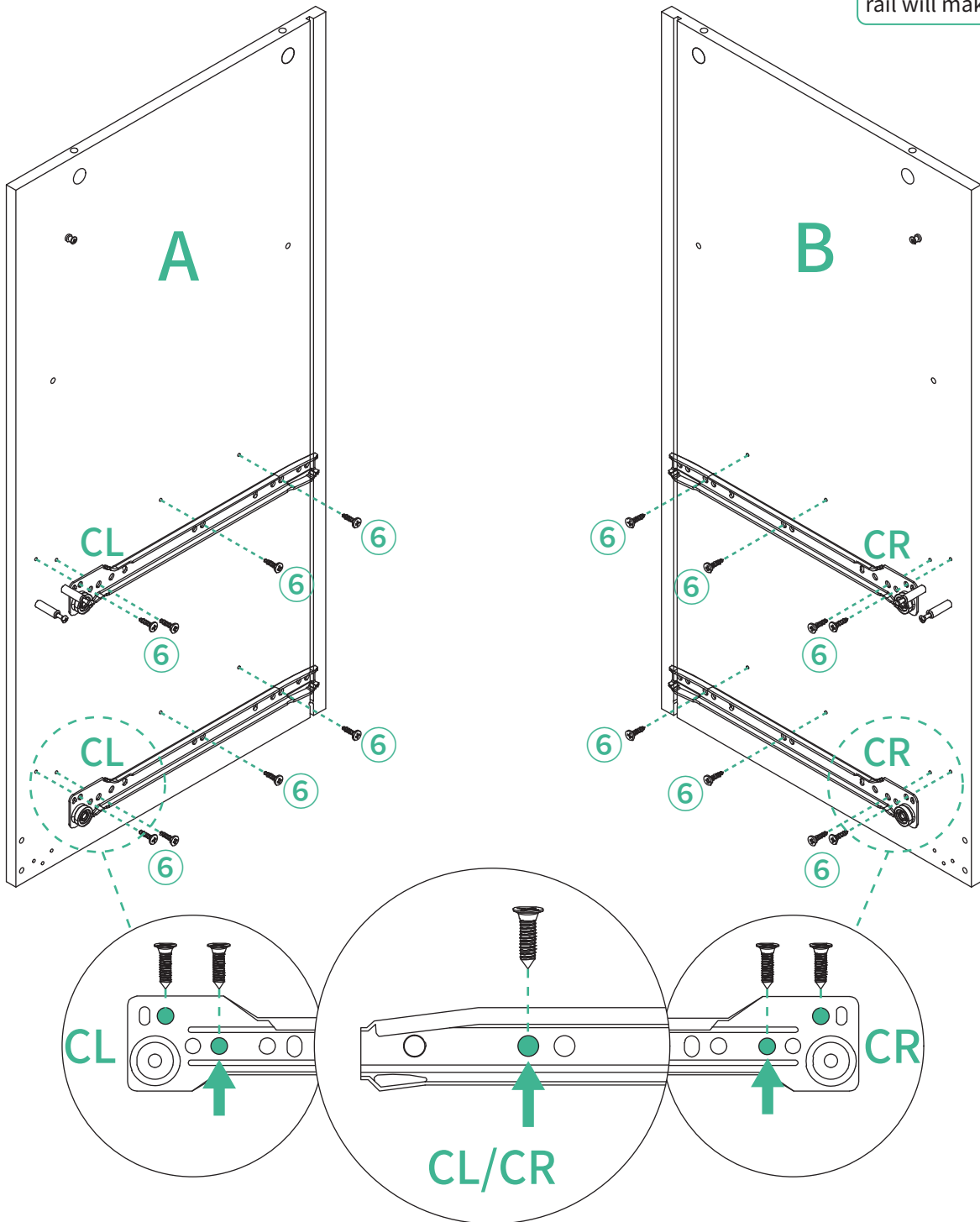
**4**

Install the drawer slides CL on A and CR on B.  
Please pay attention to choosing the correct screw holes.



**NOISE!**

Please tighten the screws, or the guide rail will make noise.




<b>A</b>		<b>B</b>		<b>CL</b>		<b>CR</b>		<b>6</b>		<b>15</b>	
x1		x1		x2		x2		x16		x1	

# Assembly Instructions

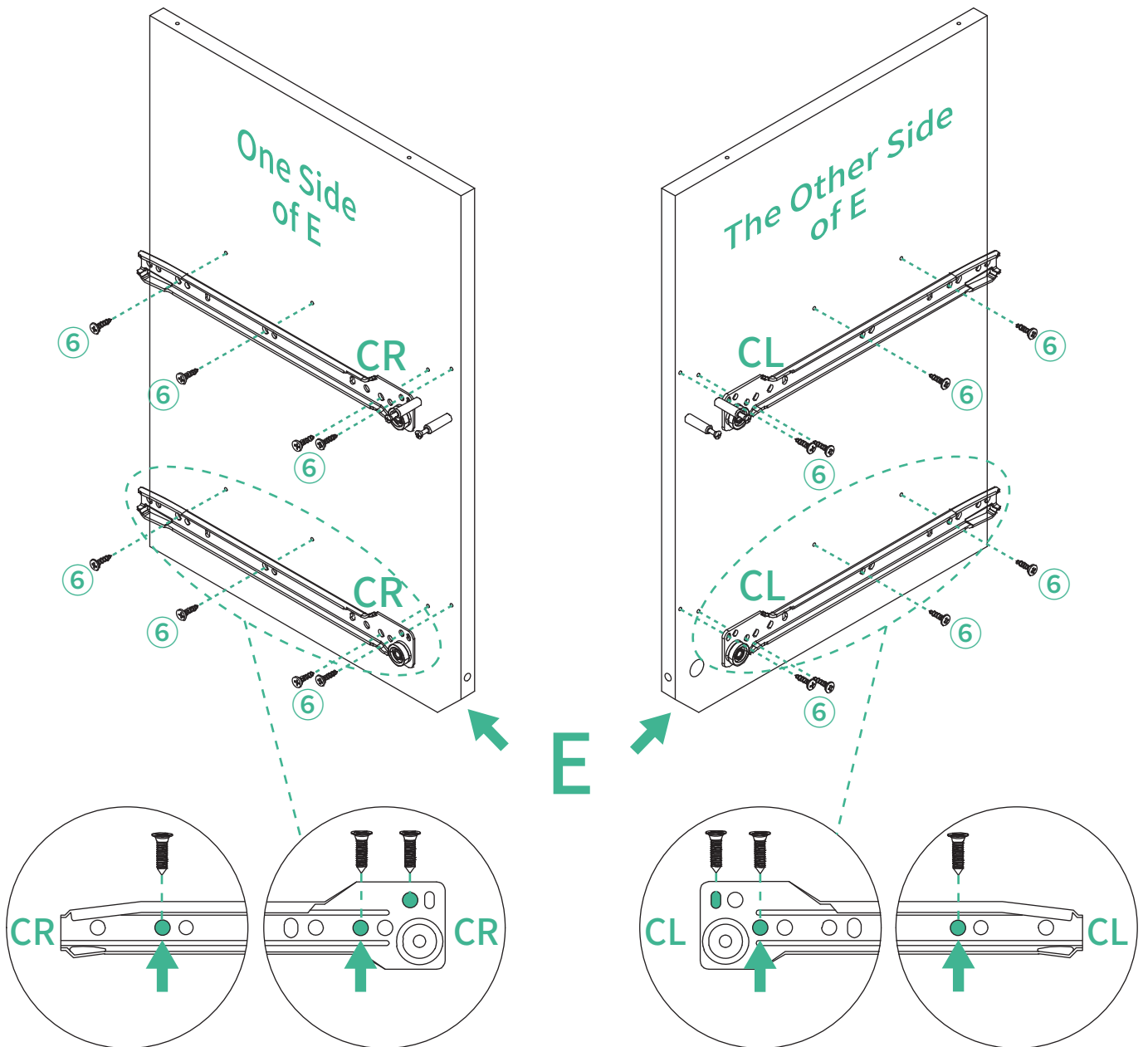
**5**

Install slide rails on both the front and back sides of board E, with a total of four slide rails. Please pay attention to choosing the correct screw holes.



**NOISE!**

Please tighten the screws, or the guide rail will make noise.



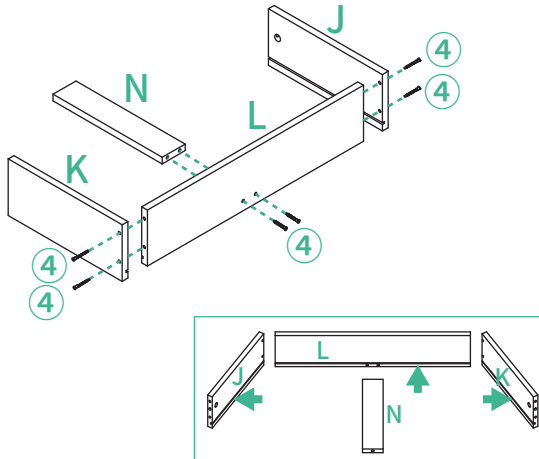
<b>E</b> x1		<b>CL</b> x2		<b>CR</b> x2		<b>6</b> x16		<b>15</b> x1	
----------------	---	-----------------	---	-----------------	---	-----------------	---	-----------------	--

# Assembly Instructions

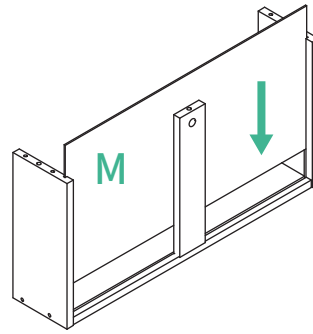
**6**

Please install the drawer according to the steps shown in the picture. Please note that the groove tracks on J, K and L need to face inward and be aligned. Please pay attention to tightening the Cam Lock ⑤.

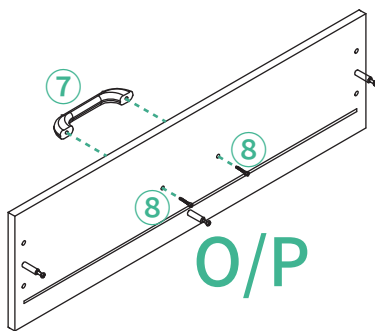
**1**



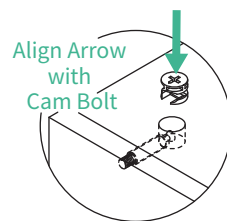
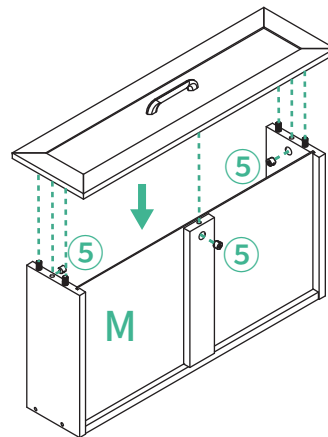
**2**



**3**

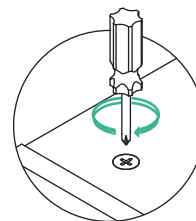


**4**



Align Arrow with Cam Bolt

Press The Cam Lock



Tighten It Clockwise



Rotate to About 60%

**Total 4 Pcs**

<b>J</b> x4		<b>K</b> x4		<b>L</b> x4		<b>M</b> x4		<b>N</b> x4		<b>O</b> x2	
<b>P</b> x2		<b>④</b> x24		<b>⑤</b> x12		<b>⑦</b> x4		<b>⑧</b> x8		<b>14</b> x1	
										<b>15</b> x1	

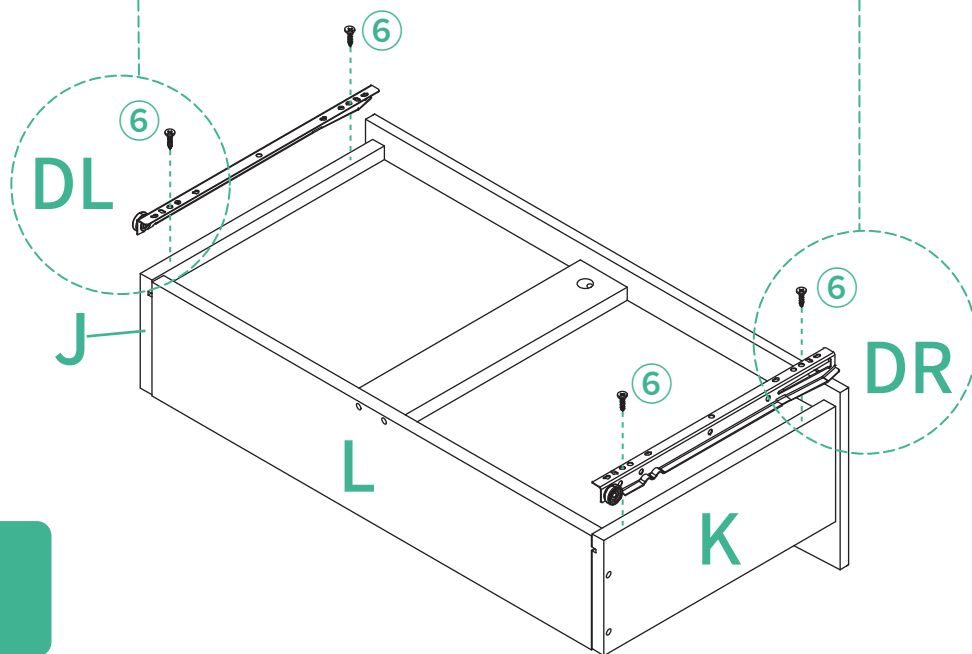
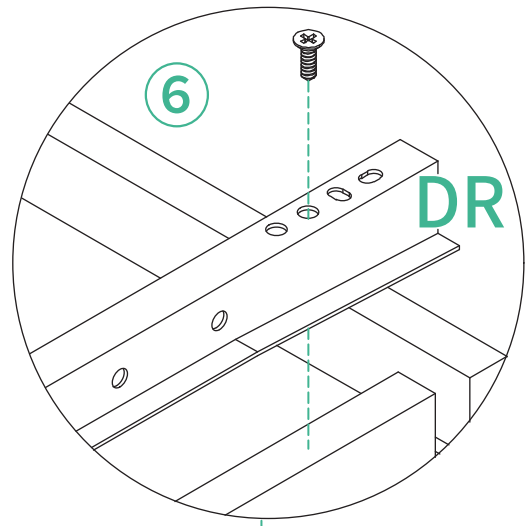
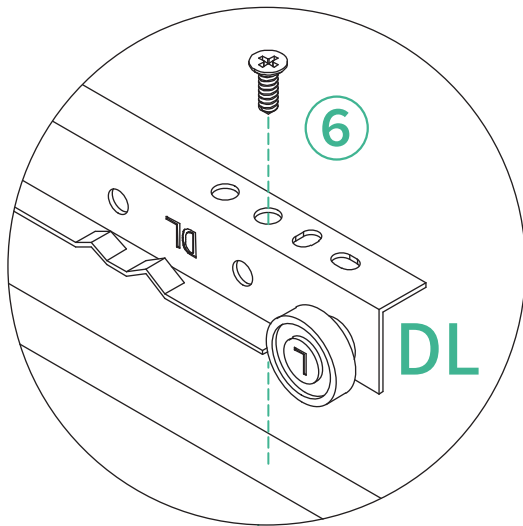
# Assembly Instructions

7

Install the drawer slides DL on J and DR on K.  
Please pay attention to choosing the correct screw holes.



Please tighten the screws, or the guide rail will make noise.



x4

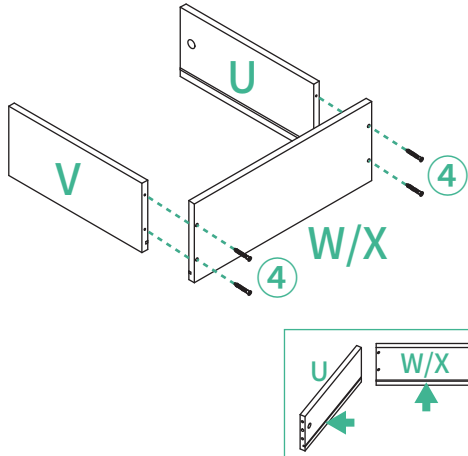
DL		DR		6		15	
x4		x4		x16		x1	

# Assembly Instructions

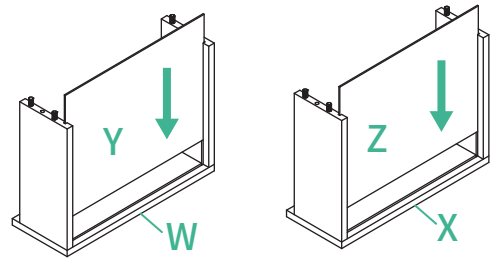
**8**

Please install the drawer according to the steps shown in the picture.  
Please note that Y matches W and Z matches X.  
Please pay attention to tightening the Cam Lock ⑤.

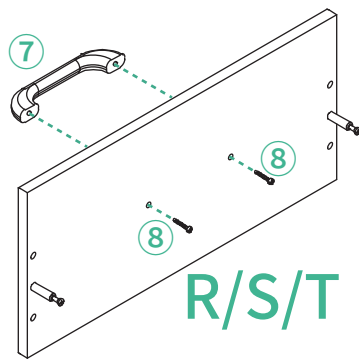
**1**



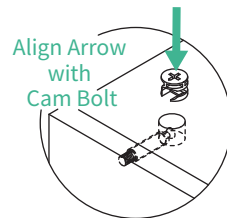
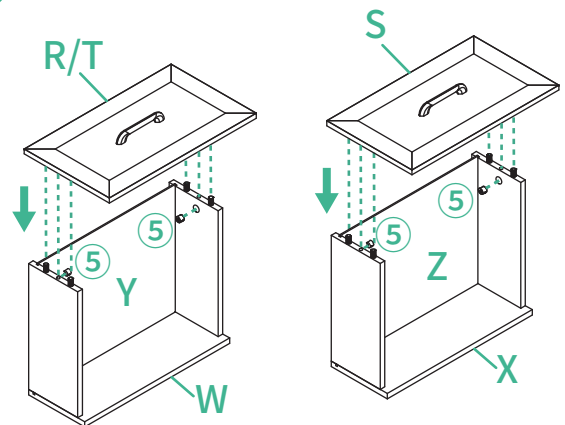
**2**



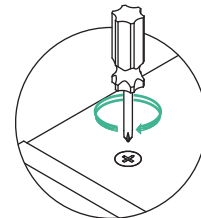
**3**



**4**



Align Arrow with Cam Bolt  
Press The Cam Lock



Tighten It Clockwise



60%  
Rotate to About 60%

**Total 3 Pcs**

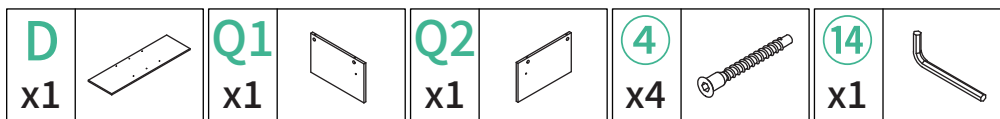
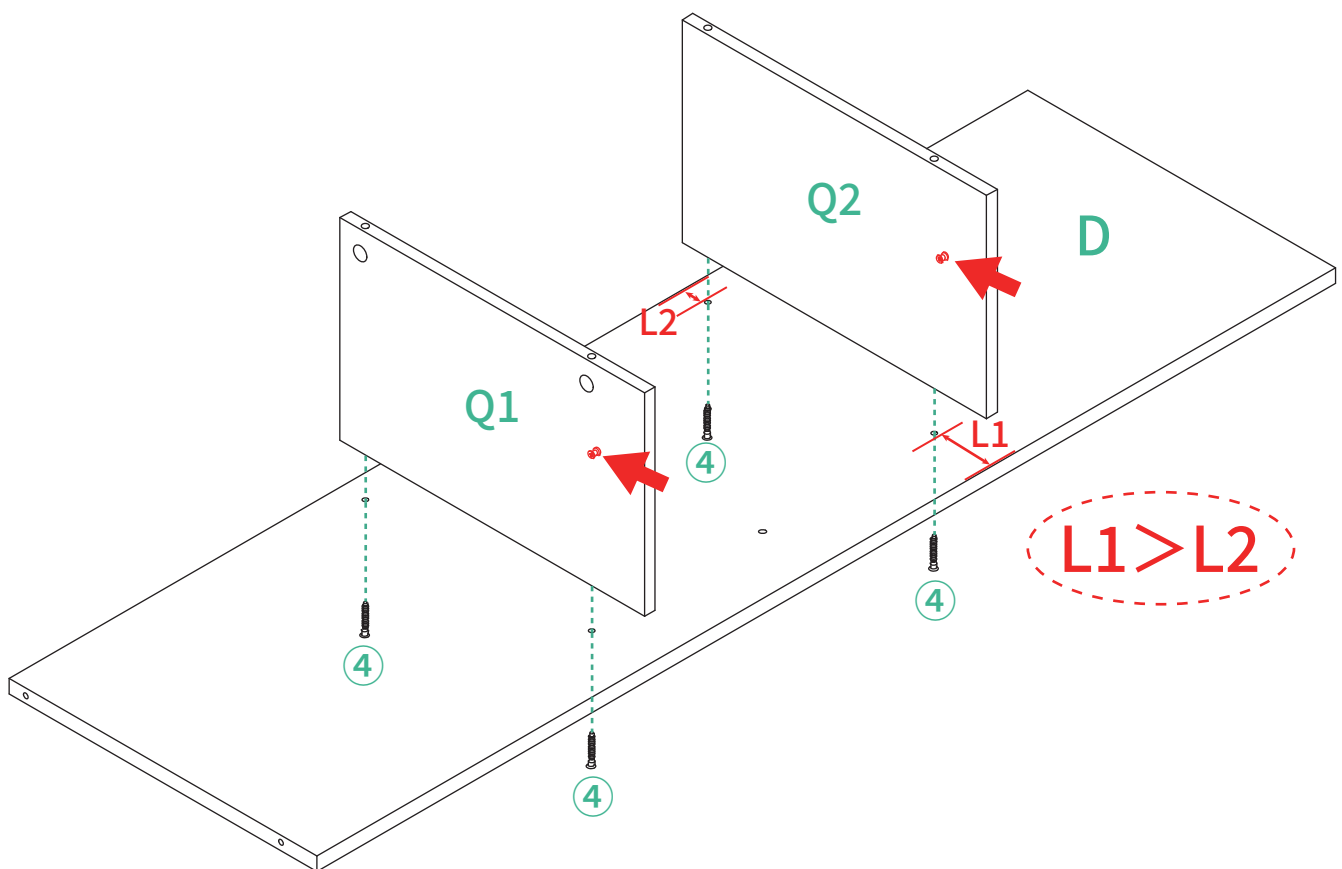
R x1		T x1		U x3		V x3		W x2		X x1		Y x2	
Z x1		④ x12		⑤ x6		⑦ x3		⑧ x6		⑭ x1		⑮ x1	

# Assembly Instructions

9

Connect board Q1 and Q2 respectively to board D. Note that  $L1 > L2$  in the illustration: L refers to the distance from the two screw holes to the two edges respectively.

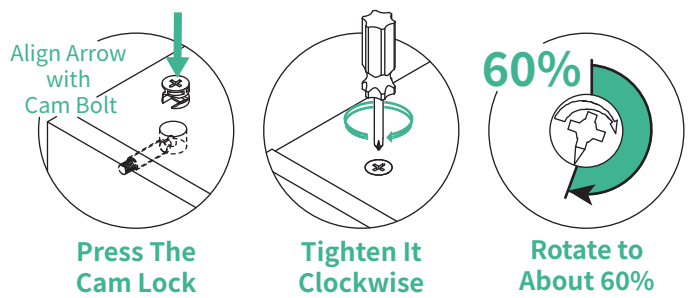
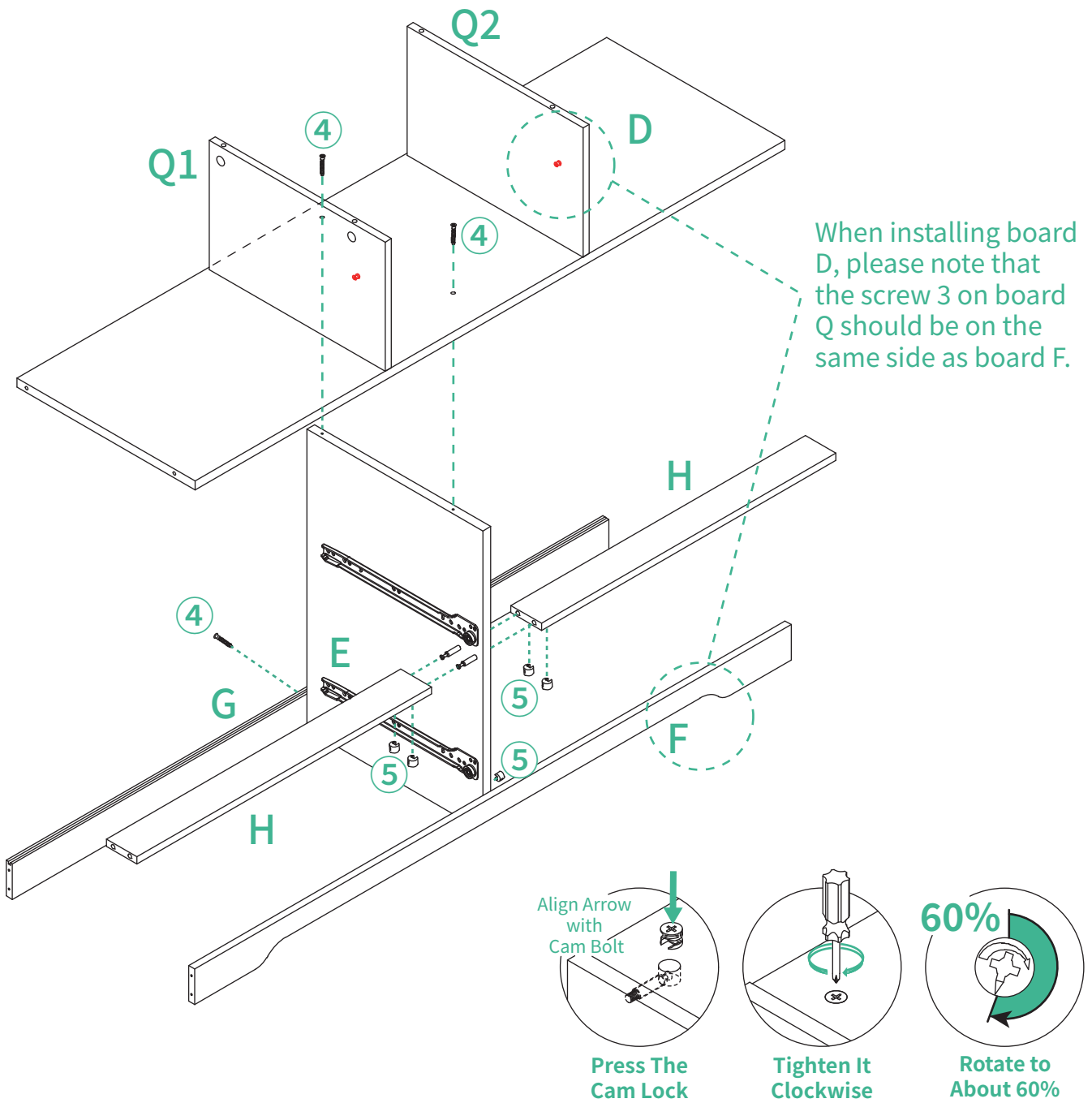
The screw ③ on board Q1 and Q2 needs to be on the same side. Installation errors will prevent the drawers from being assembled.



# Assembly Instructions

**10**

Connect boards D, F, G and H respectively to board E.  
The groove track on board G faces upwards.  
Please pay attention to tightening the Cam Lock ⑤.



<b>E</b> x1		<b>F</b> x1		<b>G</b> x1		<b>H</b> x2	
<b>4</b> x3		<b>5</b> x5		<b>14</b> x1		<b>15</b> x1	

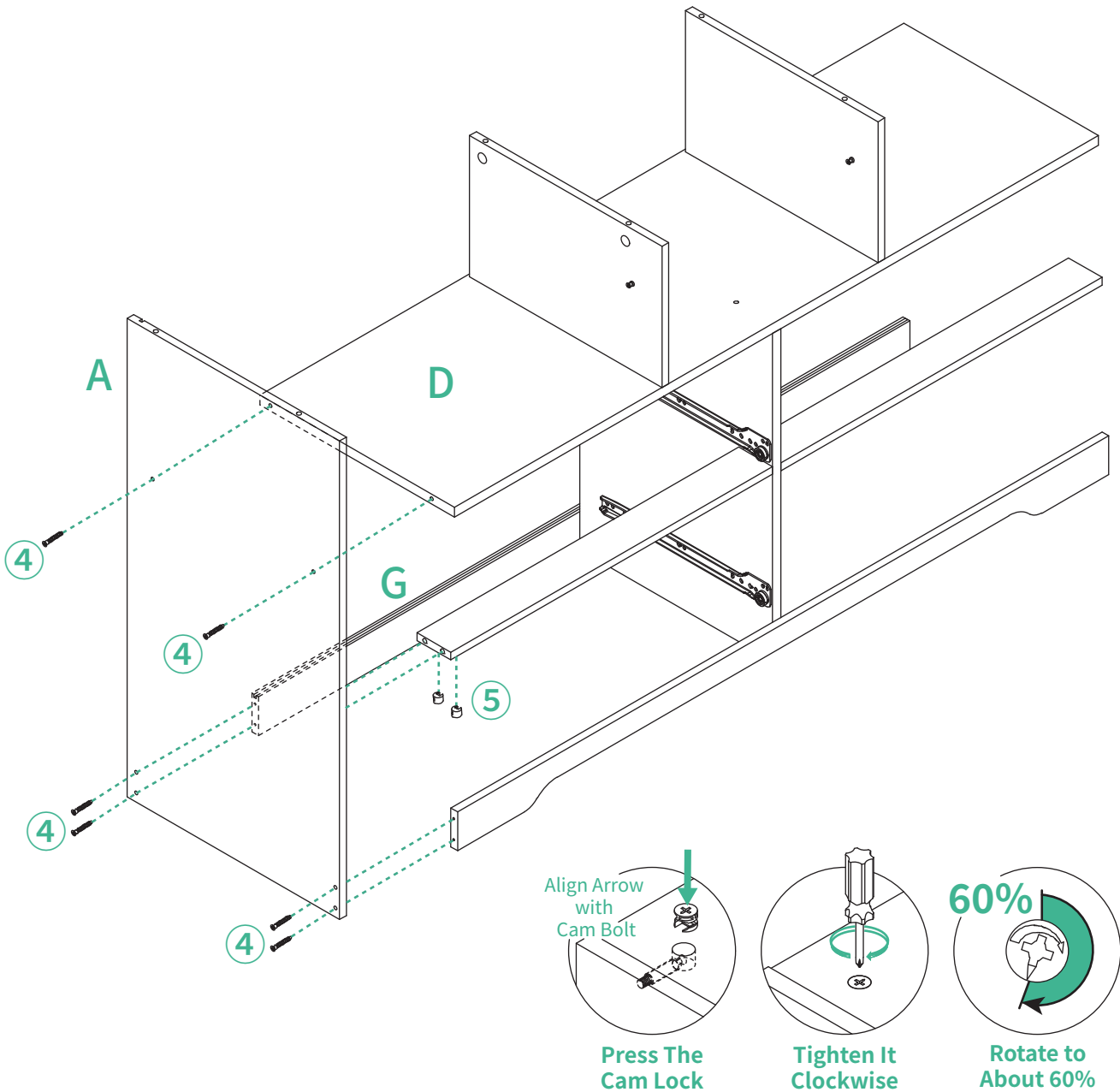
# Assembly Instructions

**11**

Install the board A.

The groove track on board A should face inward and be aligned with the groove track on board G.

Please pay attention to tightening the Cam Lock ⑤.



<b>A</b> x1		<b>4</b> x6		<b>5</b> x2		<b>14</b> x1		<b>15</b> x1	
----------------	---	----------------	---	----------------	---	-----------------	---	-----------------	--

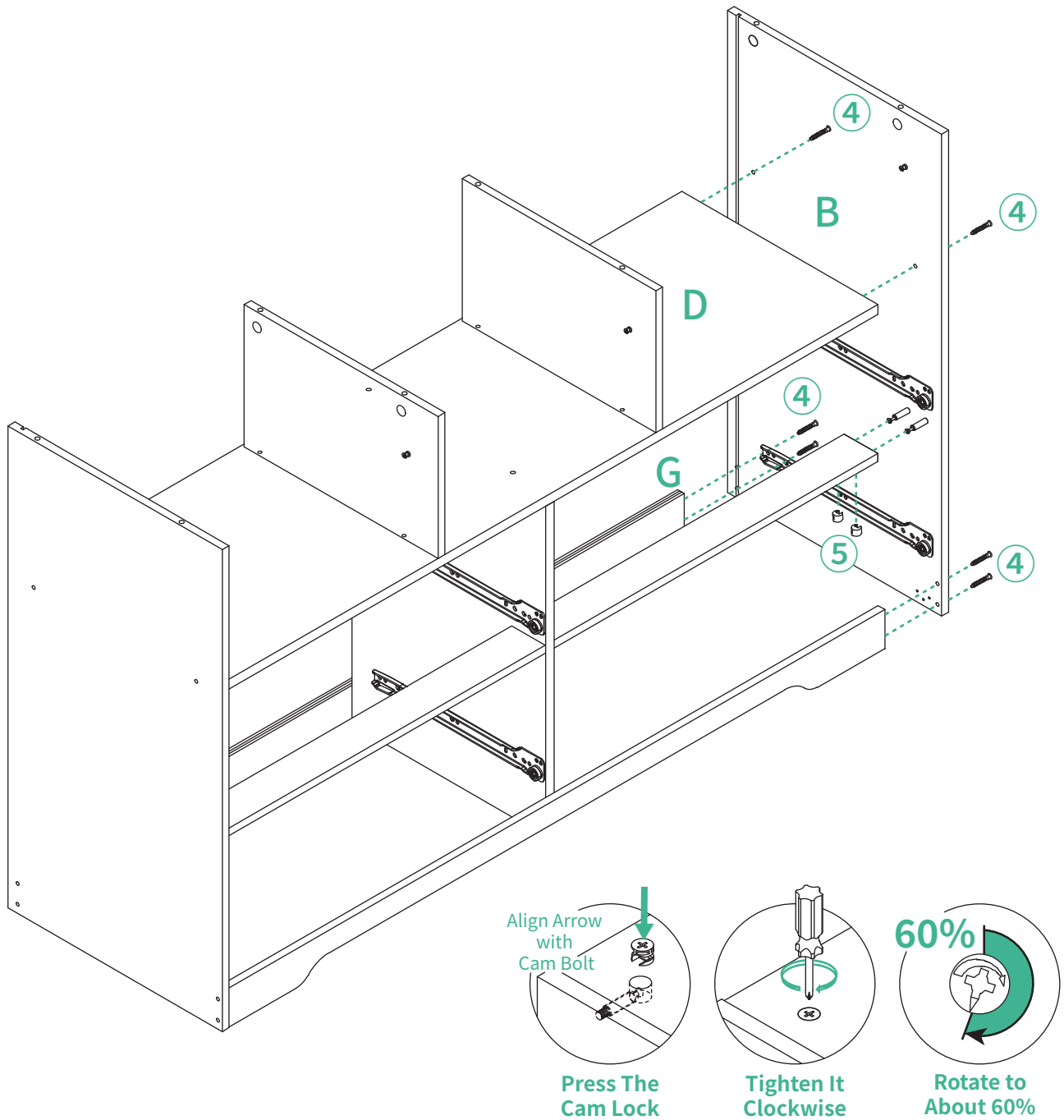
# Assembly Instructions

**12**

Install the board B.

The groove track on board B should face inward and be aligned with the groove track on board G.

Please pay attention to tightening the Cam Lock ⑤.

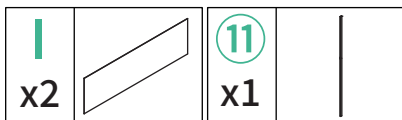
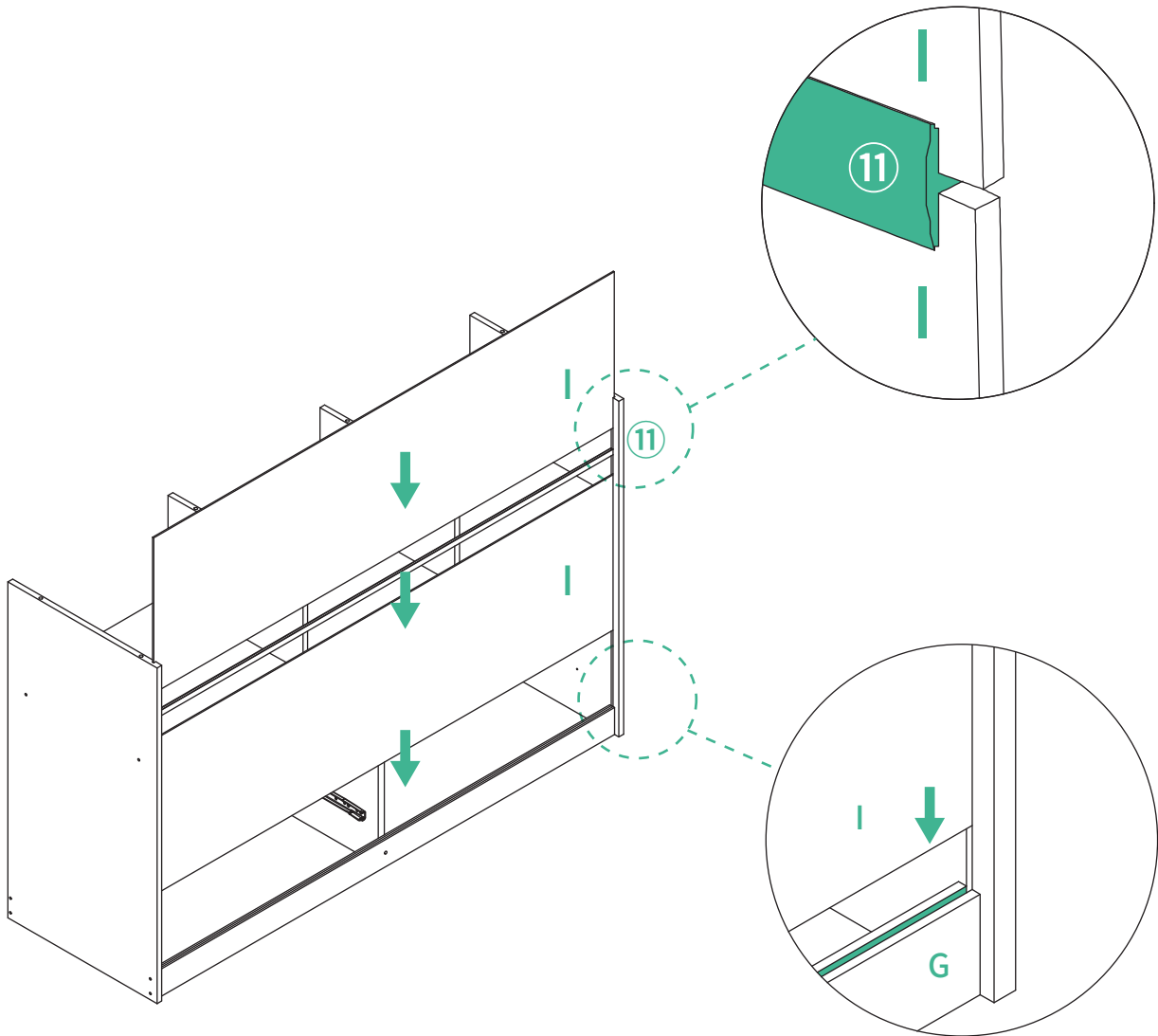


<b>B</b> x1		<b>4</b> x6		<b>5</b> x2		<b>14</b> x1		<b>15</b> x1	
----------------	--	----------------	--	----------------	--	-----------------	--	-----------------	--

# Assembly Instructions

**13**

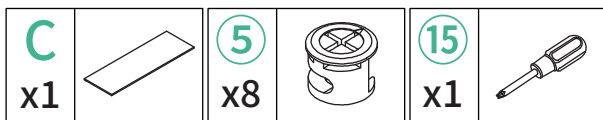
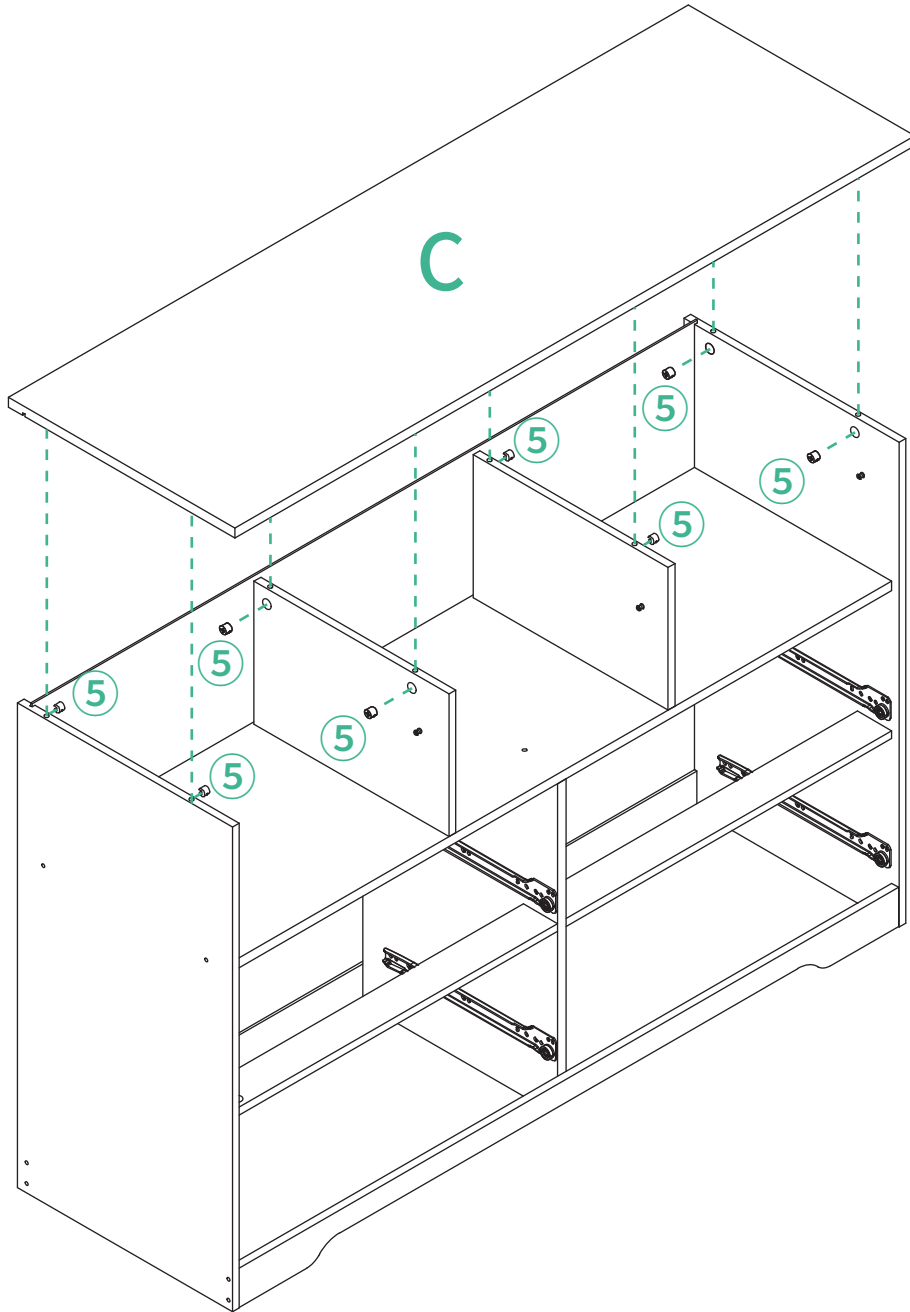
Slowly push board I down along the groove tracks on A and B to the end. Part 11 and the second board I are mounted in the same way as the first board I. The board I must be fully inserted into the slot of the board G



# Assembly Instructions

**14**

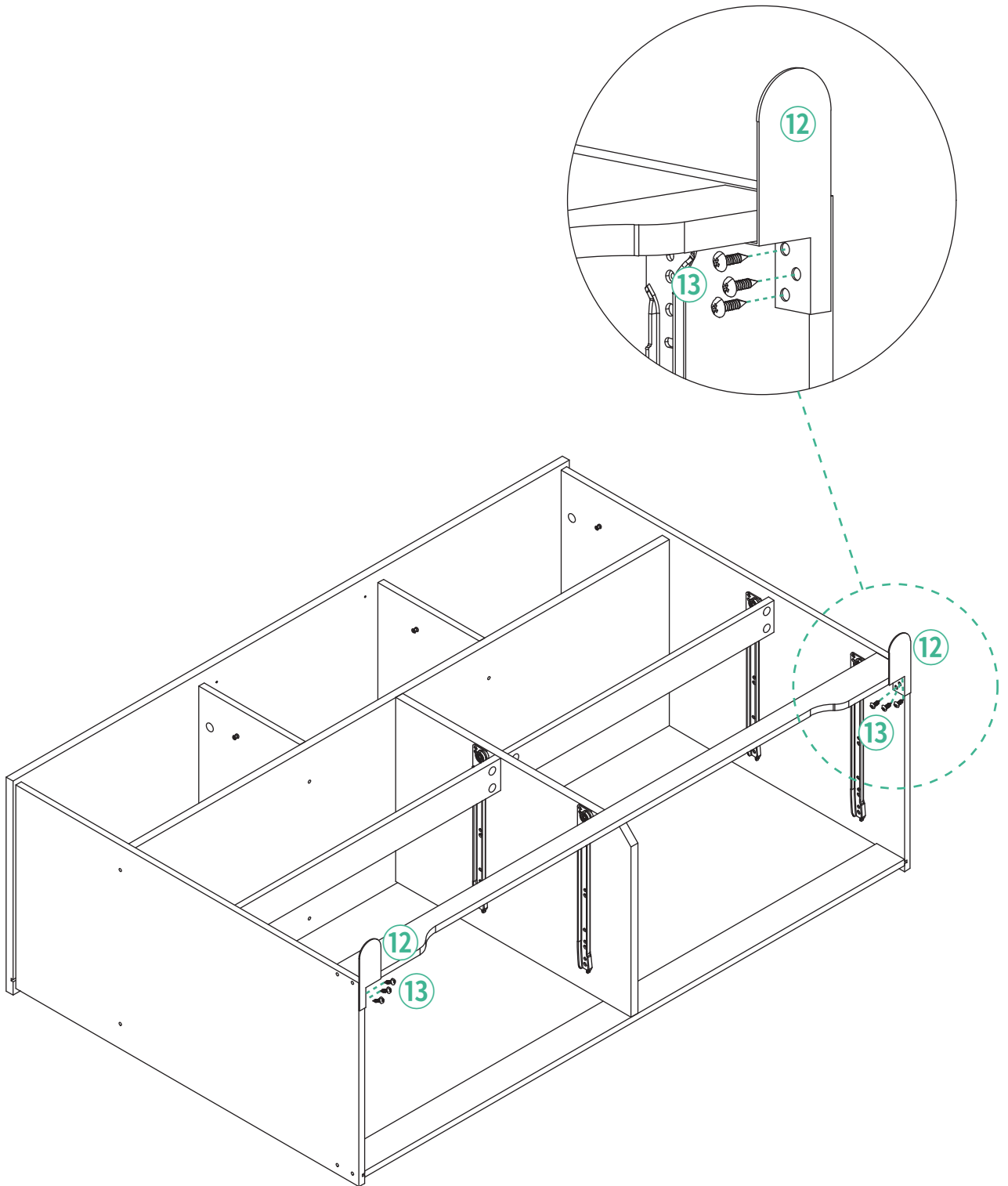
Install the board C.  
Please pay attention to tightening the Cam Lock ⑤.



# Assembly Instructions

**15**

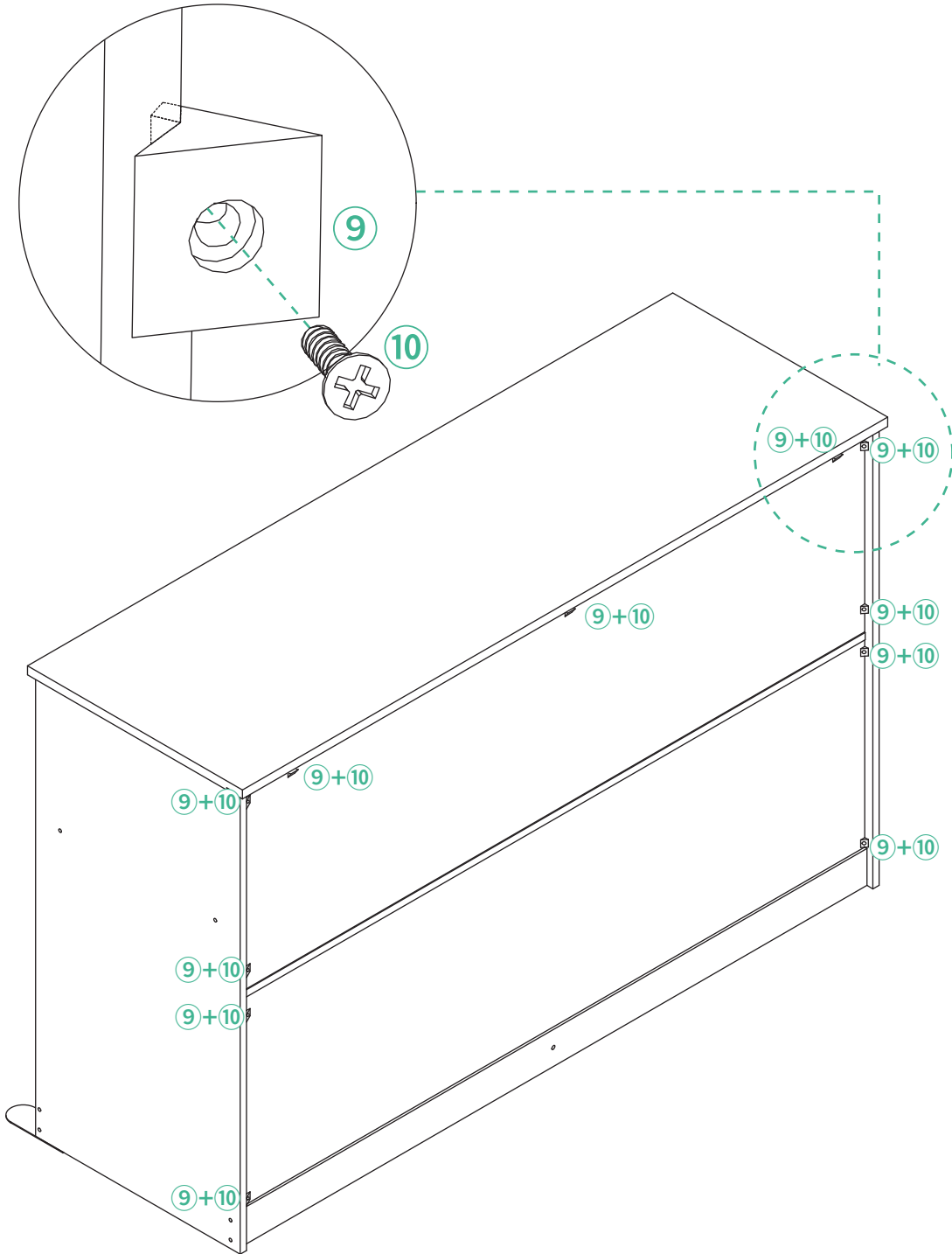
Install part ⑫.



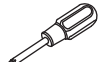


# Assembly Instructions

**16**

Install panel fastener.

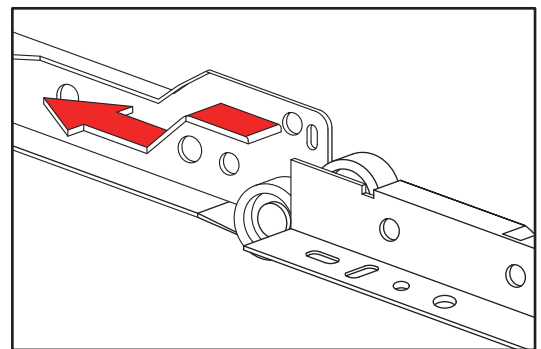
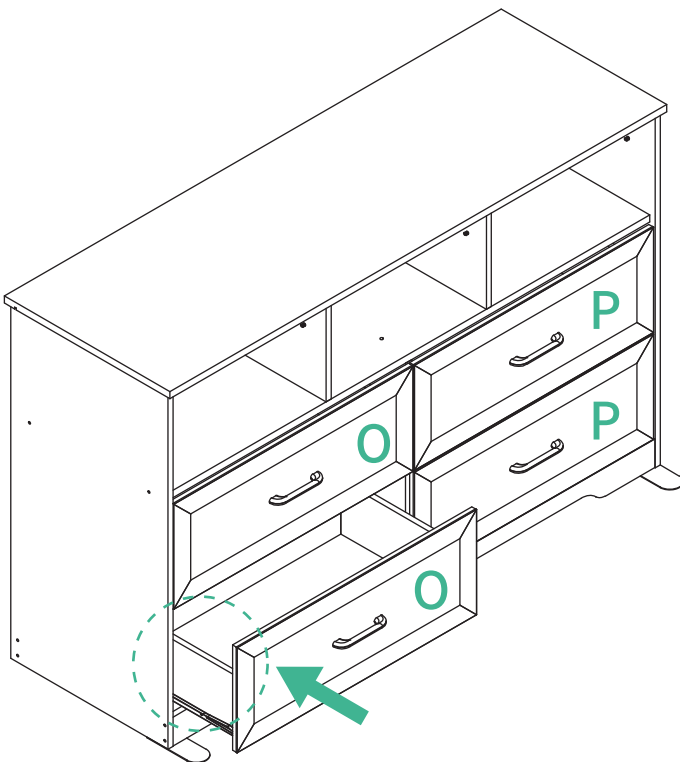
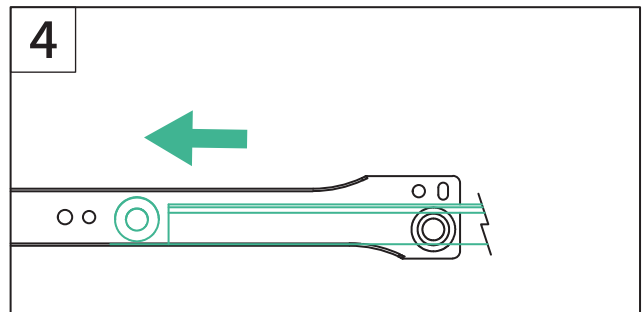
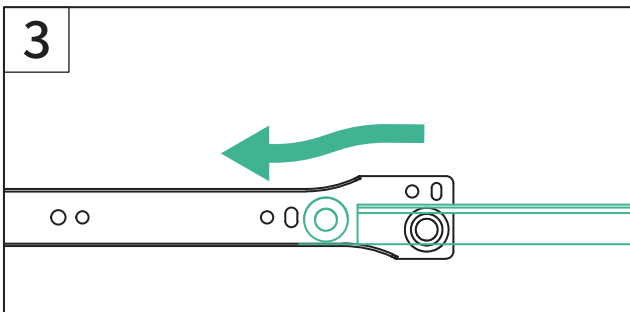
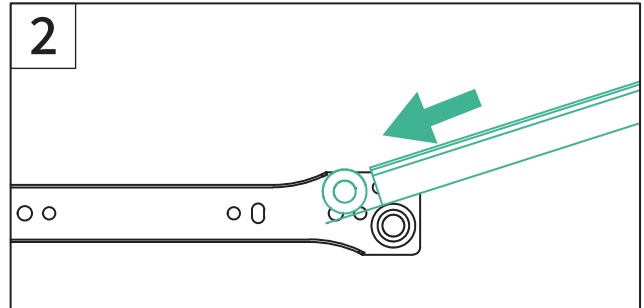
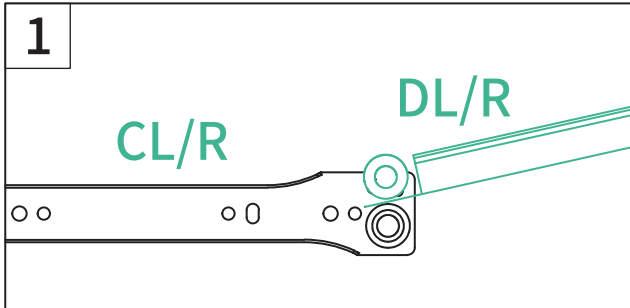


<b>9</b> x11		<b>10</b> x11		<b>15</b> x1	
-----------------	---	------------------	---	-----------------	---

# Assembly Instructions

**17**

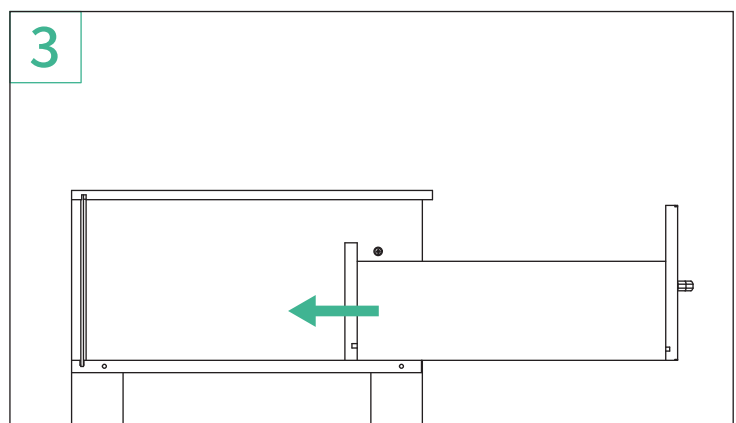
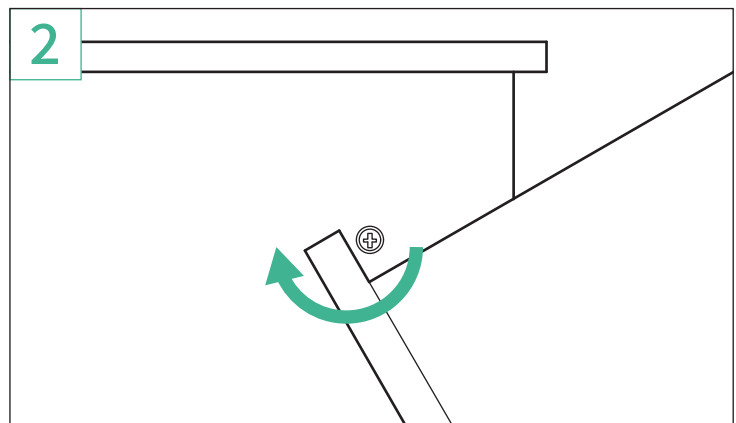
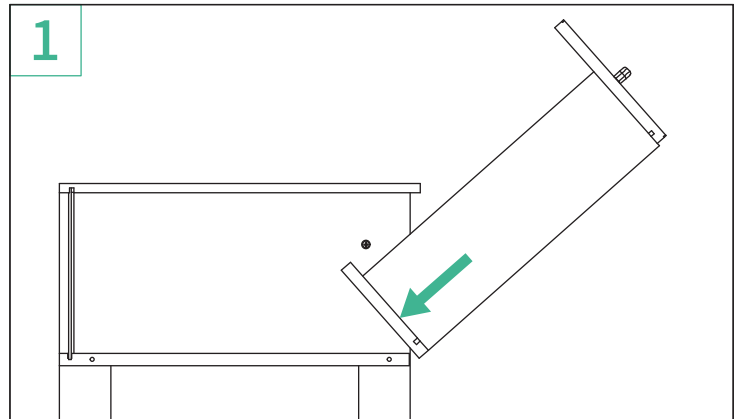
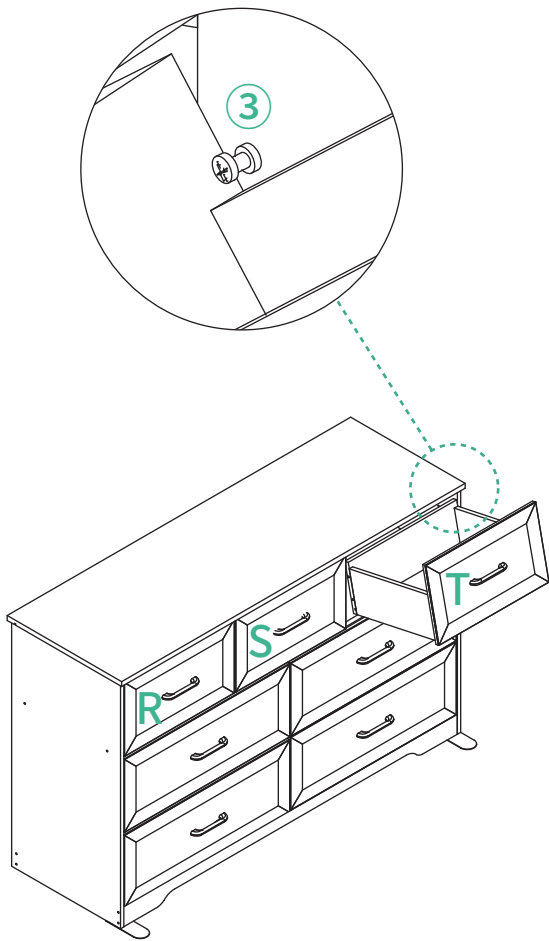
Install the bigger drawers into the cabinet as shown in the picture. Please note that drawer O is on the left and drawer P is on the right. Incorrect placement will cause the drawer to fail to open and close properly.



# Assembly Instructions

**18**

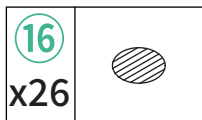
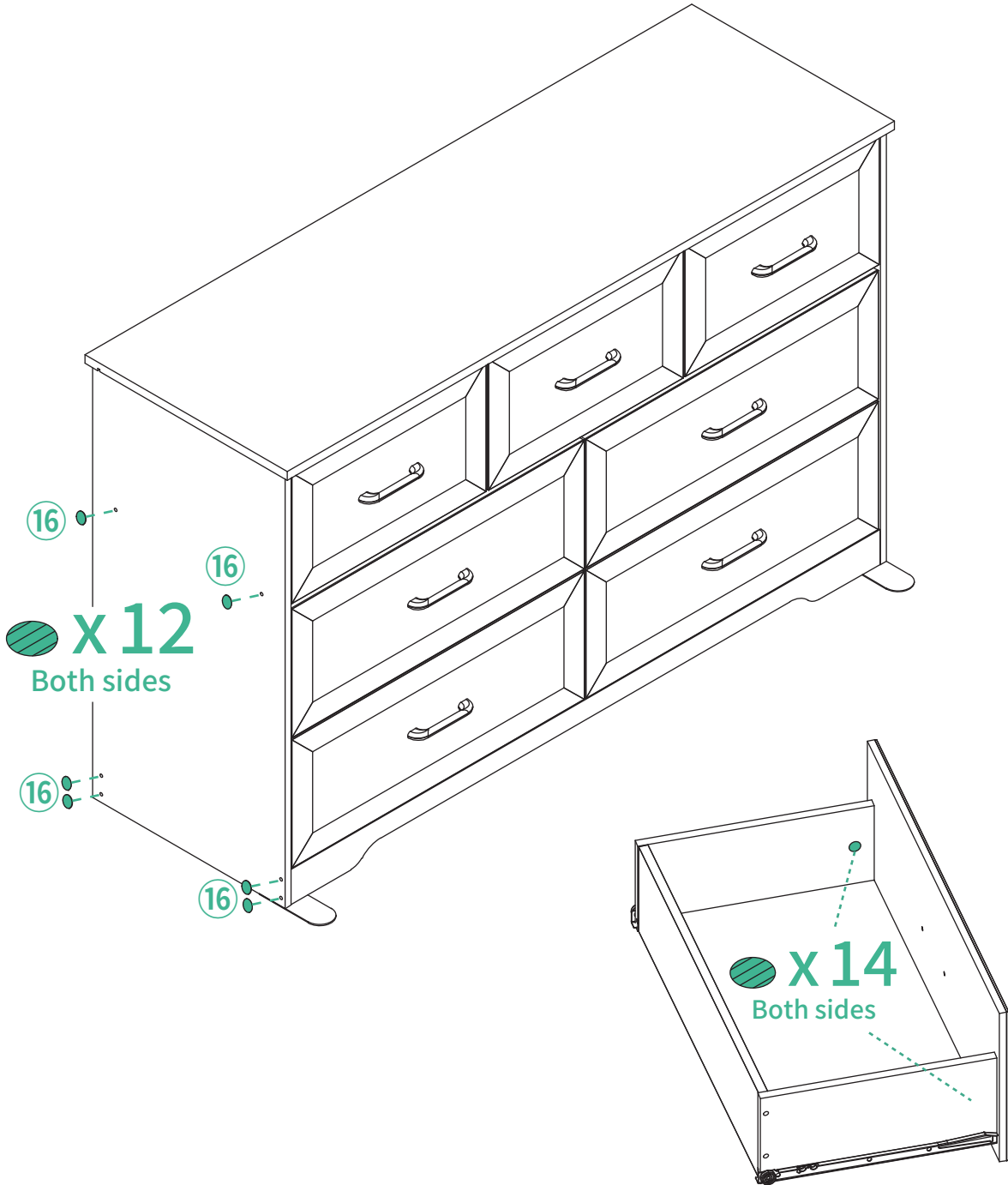
Install the smaller drawers into the cabinet as shown in the picture. The order of drawers from left to right is R, S, T. Incorrect placement will cause the drawer to fail to open and close properly.



# Assembly Instructions

19

Cover the screw holes.





## 30 DAY Return Policy

If you're not completely satisfied with your purchase, please return the merchandise via our Official Customer Support. Unused merchandise can be refunded or exchanged within 30 days of purchase.



## 1-Year Warranty

We guarantee your product is free from defects in product material and workmanship for one (1) year starting from the date of purchase during normal use of household conditions. If your appliance fails to operate properly within our warranty period, we will arrange a new one. Replacement is free and all shipping costs are covered.



## Quick Response within 24 Hours

If you are still unable to resolve the issue you are experiencing, please contact us immediately via our support email. It doesn't matter if the product has been installed or not, our customer support team will respond within 24 hours and assist you quickly and efficiently. The most efficient way to confirm your problem to us is to attach a video, which illustrates your product issues.

# Problems You May Encounter

PART	PROBLEM	SOLUTION
Whole Product	Parts are missing, defective or having wrong parts in package.	You can contact us and we will get back to you within 24 hours. Or, you can reach us via after-sales email.
	Having issue(s) while reading the instruction or completing the assembly.	You can contact us and we will get back to you within 24 hours. Or, you can reach us via after-sales email.
	Encountering non-human caused damage during usage.	If the product is damaged due to non-human causes, please keep the product and send us photos of it. We will ascertain the cause of the product damage within 48 hours and provide you with a satisfactory solution.
Table Surface	Board Surface is broken, scratched or lack of some screw holes.	You can contact us and we will get back to you within 24 hours. Or, you can reach us via after-sales email.
	The screw holes that on the board and the steel frame don't line up.	<ol style="list-style-type: none"> <li>1. Please tighten the screws on the board by 70%, do not tighten completely.</li> <li>2. Adjusting board and steel frame until the screw holes are lined up, then tighten all the screws.</li> </ol>
	The board is uneven or not tight that has gaps after being assembled.	<ol style="list-style-type: none"> <li>1. Loosen the screws in the uneven or gap positions; adjust until the desktops are flat and tight, and then tighten the screws.</li> <li>2. If your problem still can't be solved, please feel free to contact us.</li> </ol>
Steel Frame	The steel frame is bent, broken, painted, rusted or damaged.	You can contact us and we will get back to you within 24 hours. Or, you can reach us via after-sales email.
	The table is unstable after being assembled.	<ol style="list-style-type: none"> <li>1. Check if the screws are tightened.</li> <li>2. Read throughout the manual, check are there any parts installed incorrectly or missing assembled.</li> <li>3. If your problem still can't be solved, please feel free to contact us.</li> </ol>
	Encountering non-human caused damage during usage.	If the product is damaged due to non-human causes, please keep the product and send us photos of it. We will ascertain the cause of the product damage within 48 hours and provide you with a satisfactory solution.

We are committed to providing our customers with premium quality products and convenient customer service.

**MADE IN MALAYSIA**