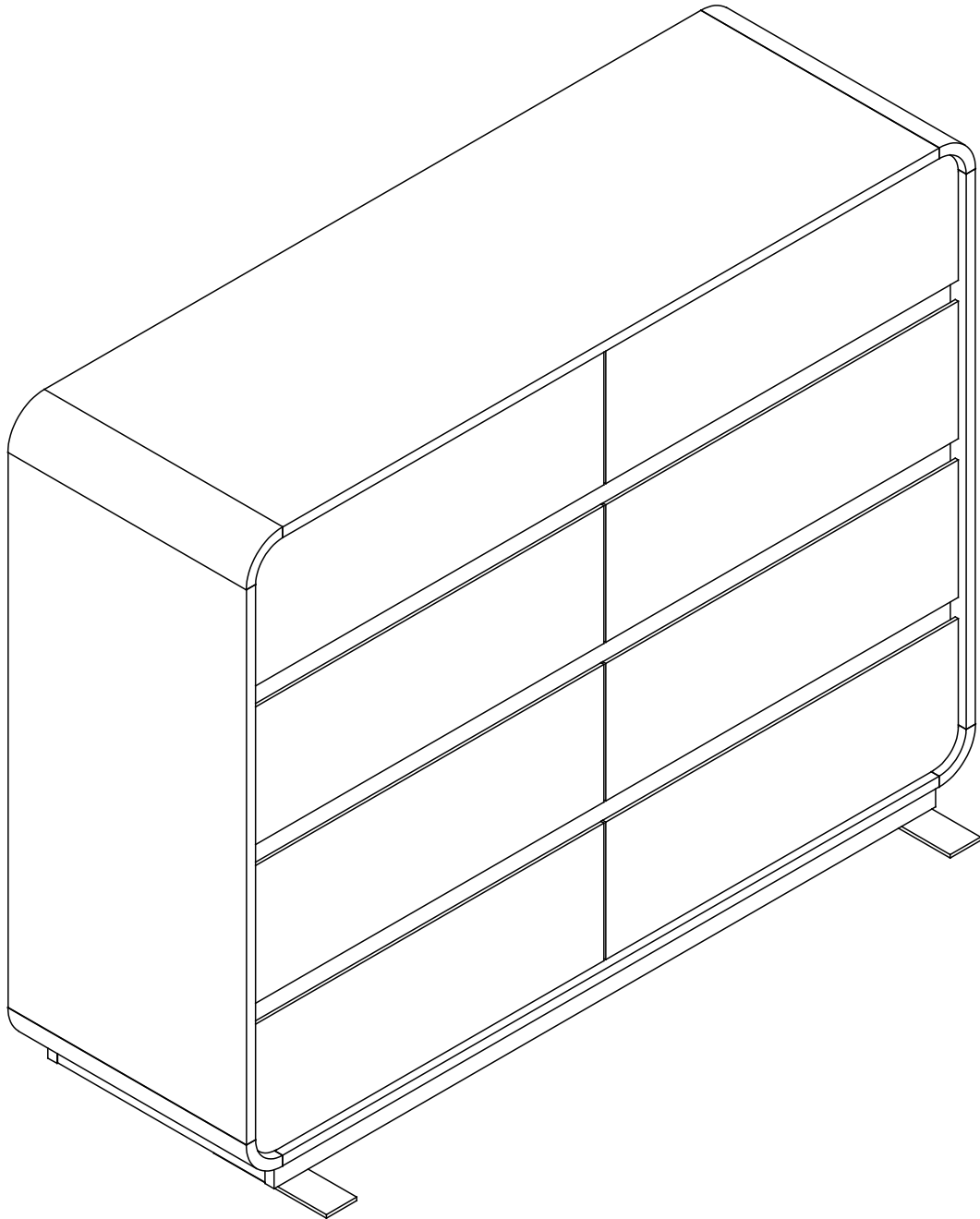
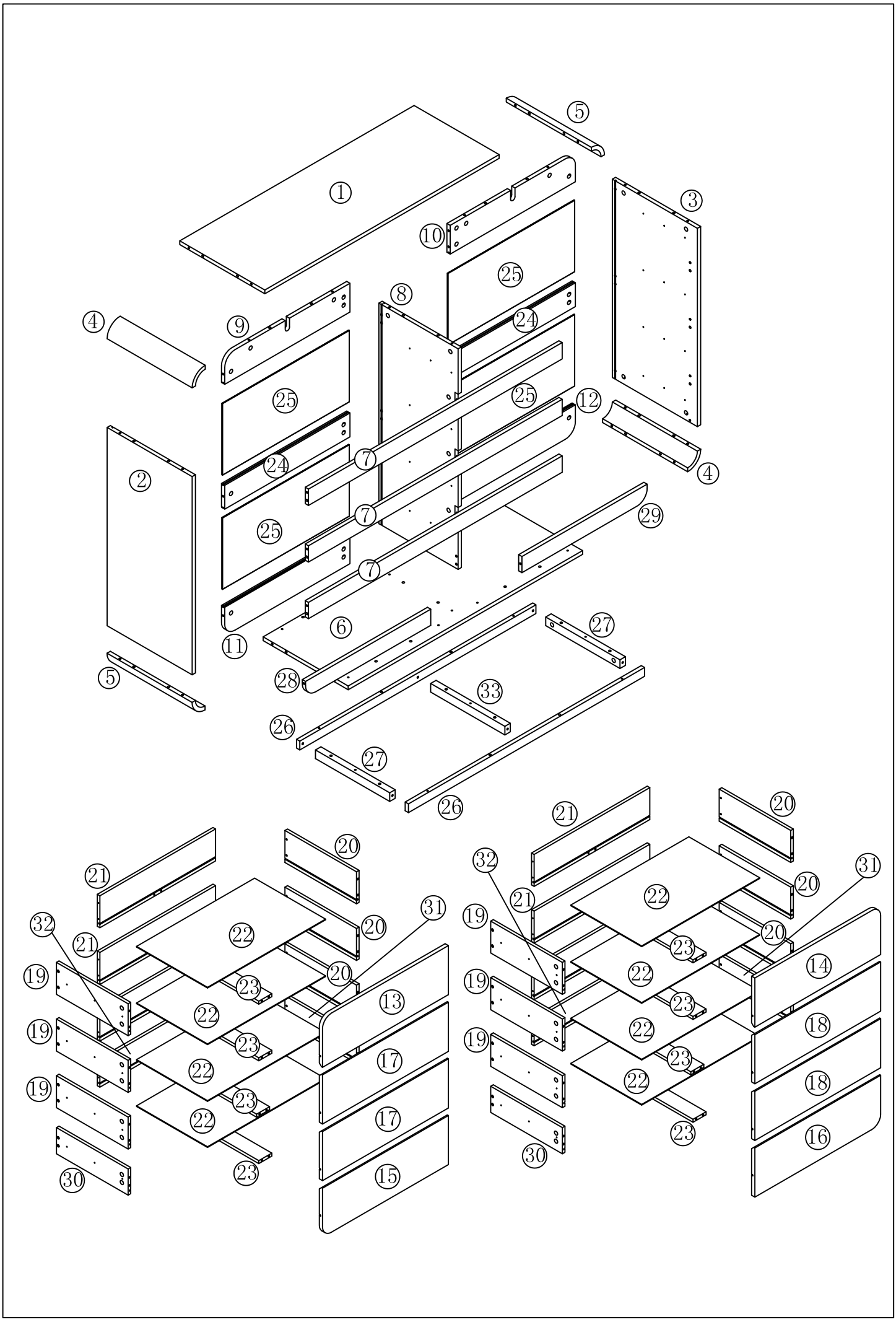


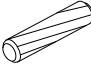
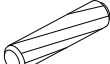

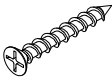




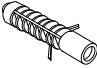

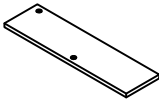
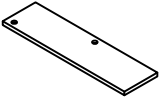

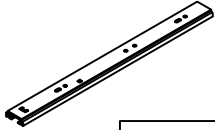
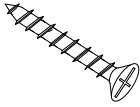


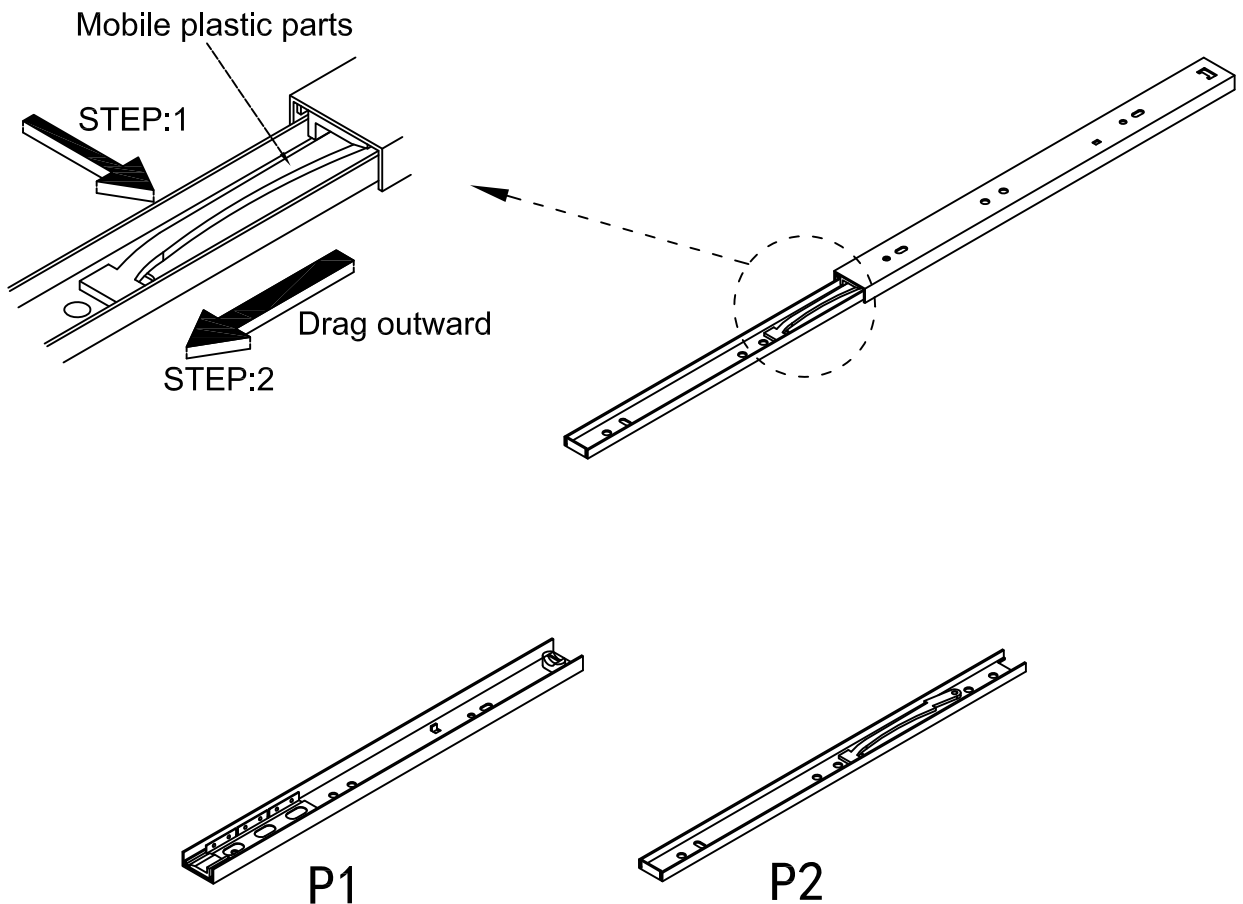
# Installation & Assembly



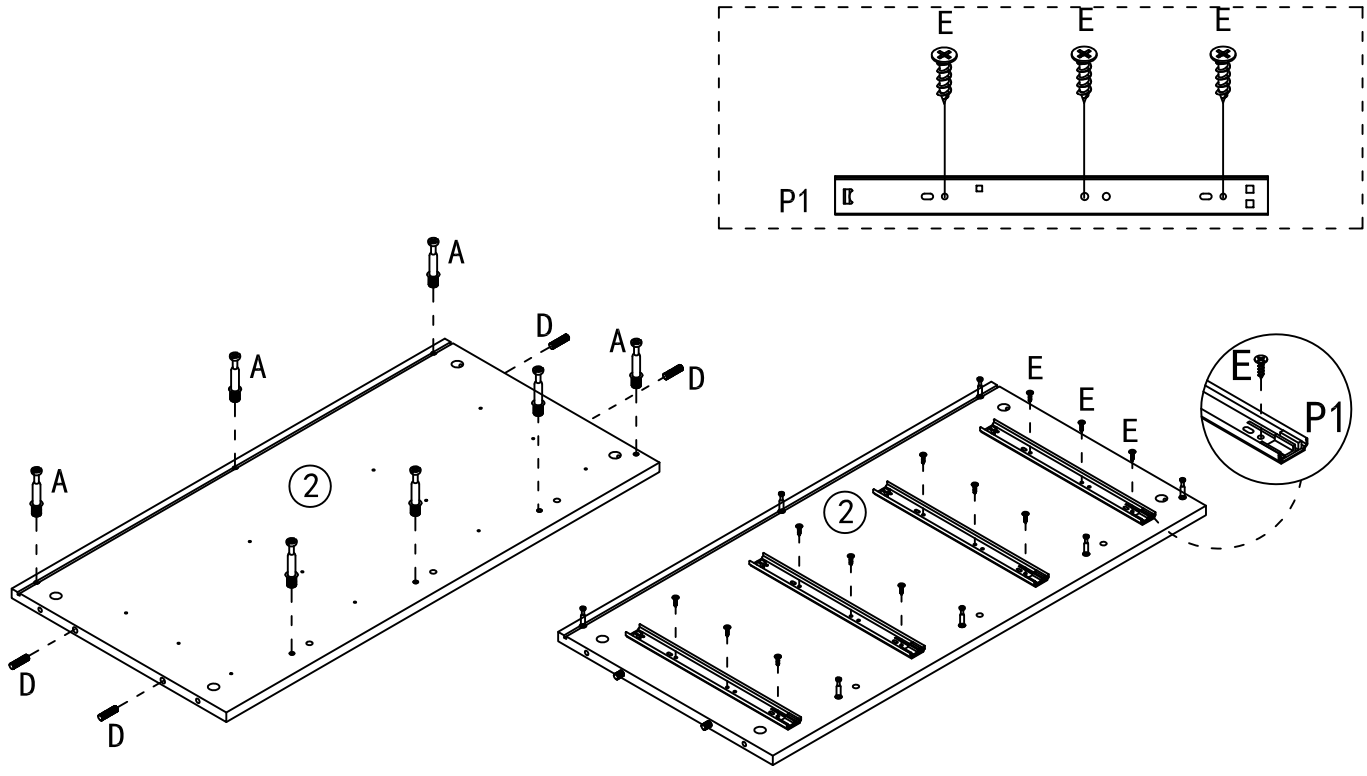


<b>A</b>  $\phi 6 \times 35 \text{MM}$ 100+2PCS	<b>B</b>  $\phi 15 \times 9 \text{MM}$ 100+2PCS	<b>C</b>  $\phi 6 \times 30 \text{MM}$ 16+2PCS	<b>D</b>  $\phi 8 \times 30 \text{MM}$ 48+2PCS
<b>E</b>  $\phi 3.5 \times 12 \text{MM}$ 96+2PCS	<b>F</b>  $\phi 4 \times 30 \text{MM}$ 44+2PCS	<b>G</b>  16+2PCS	<b>H</b>  $\phi 3 \times 16 \text{MM}$ 16+2PCS
<b>I</b>  2PCS	<b>J</b>  $\phi 4 \times 35 \text{MM}$ 2PCS	<b>K</b>  2PCS	<b>L</b>  $\phi 4 \times 12 \text{MM}$ 2PCS
<b>M</b>  1PCS	<b>N</b>  1PCS	<b>O</b>  6PCS	<b>P</b>  16PCS
<b>Q</b>  $\phi 4 \times 40 \text{MM}$ 17+2PCS			

## STEP 1

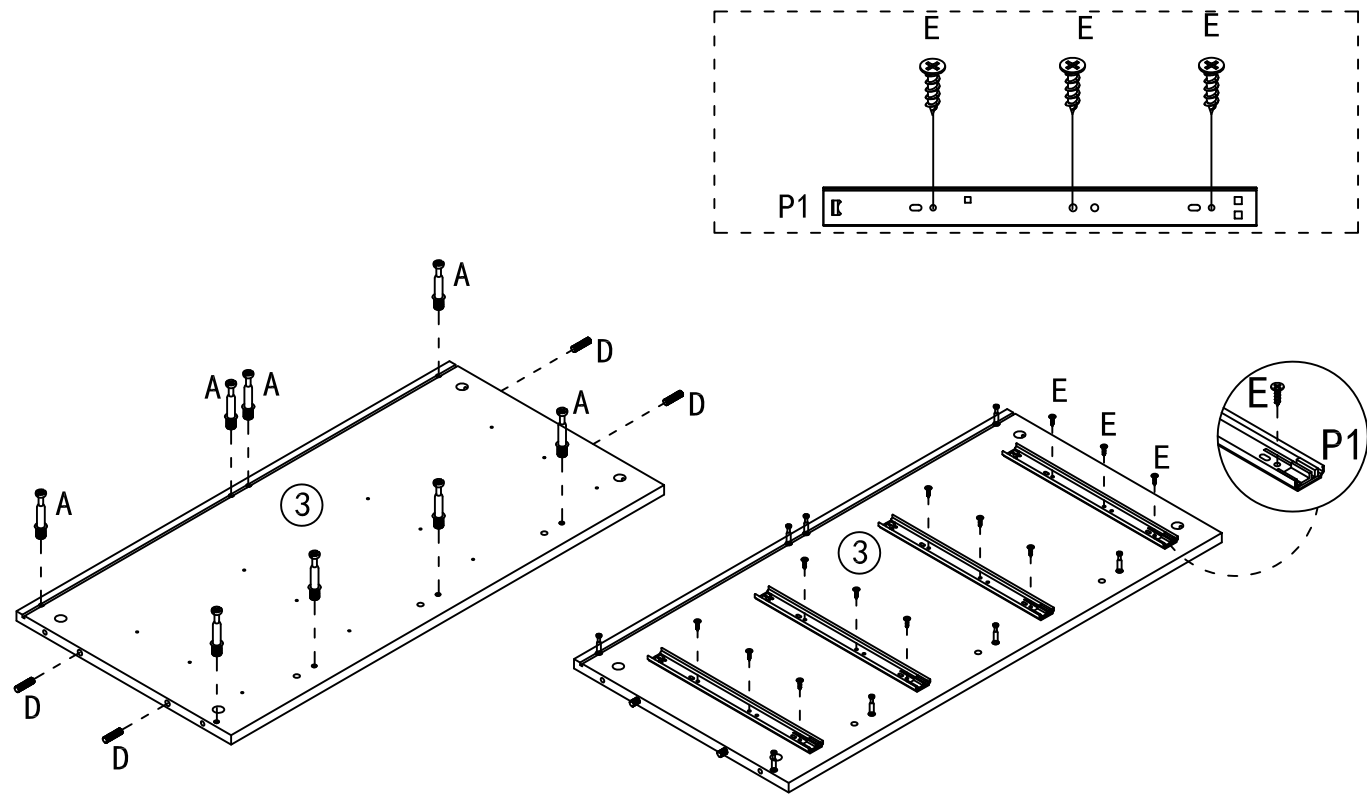


# STEP 2



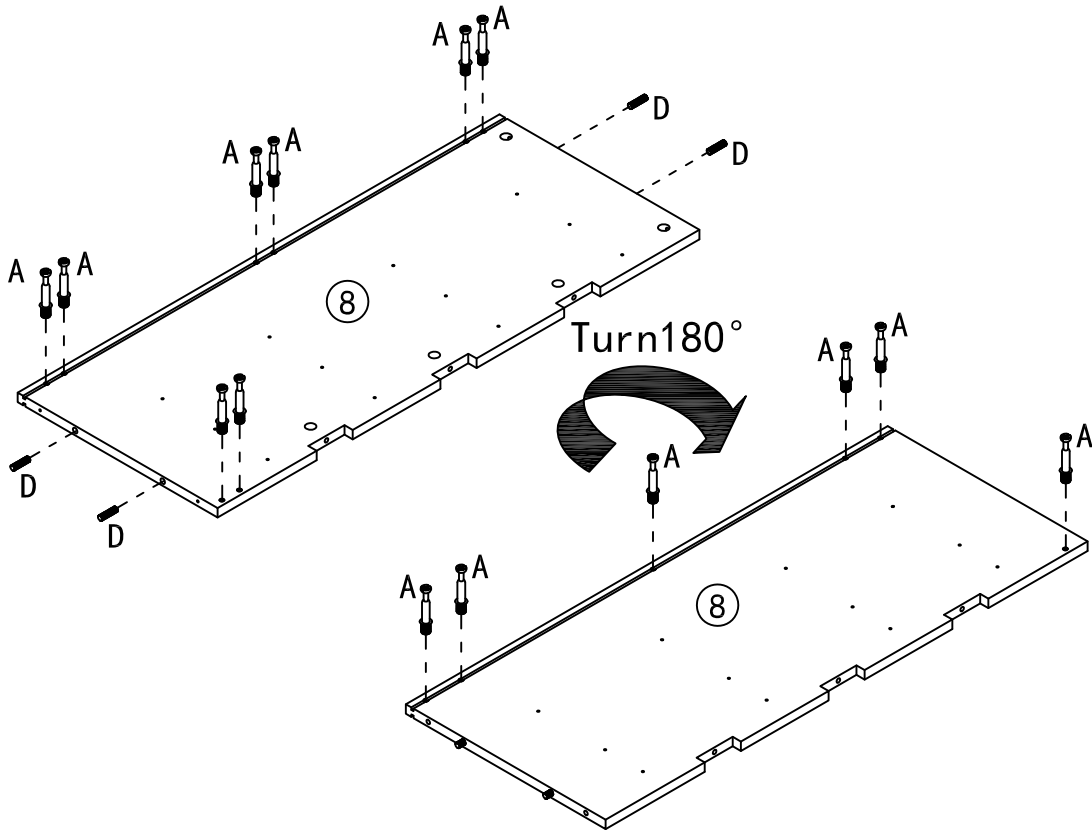
	A*7PCS		D*4PCS		E*12PCS		P1*4PCS
--	--------	--	--------	--	---------	--	---------


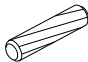
# STEP 3



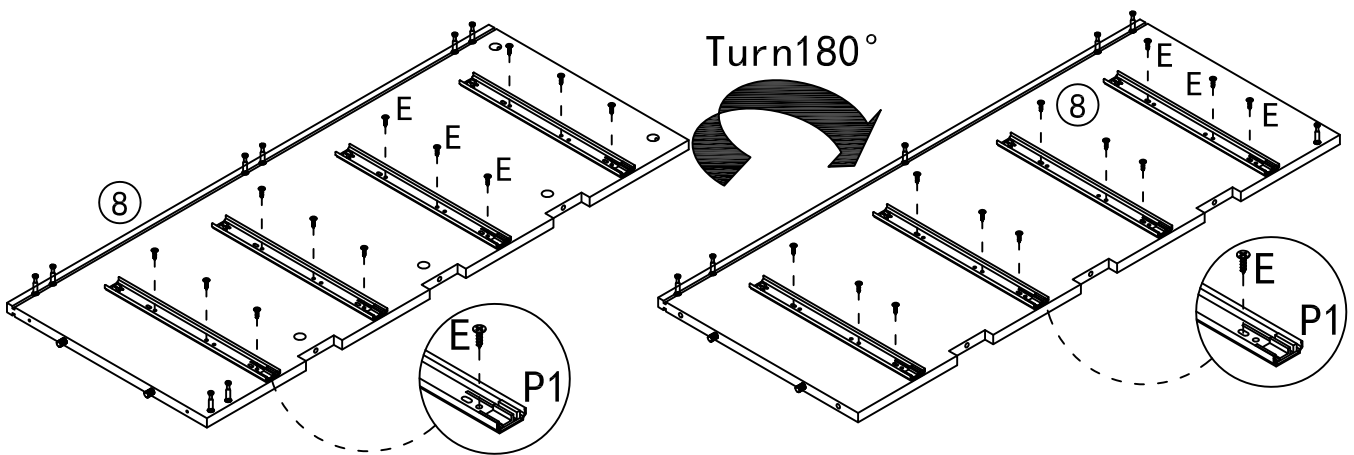
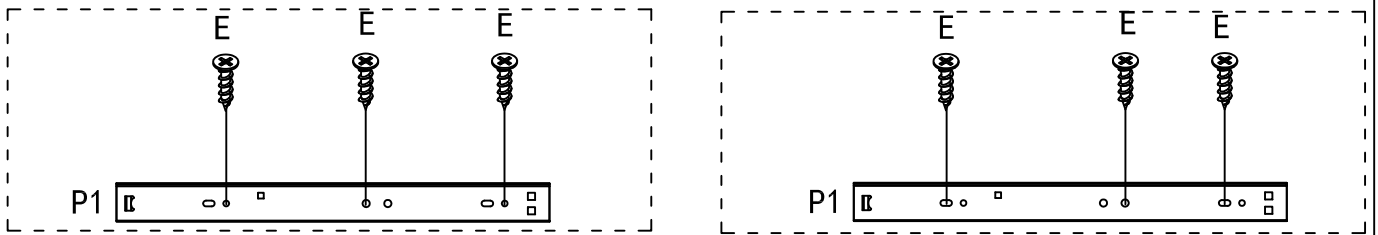
	A*8PCS		D*4PCS		E*12PCS		P1*4PCS
--	--------	--	--------	--	---------	--	---------



# STEP 4



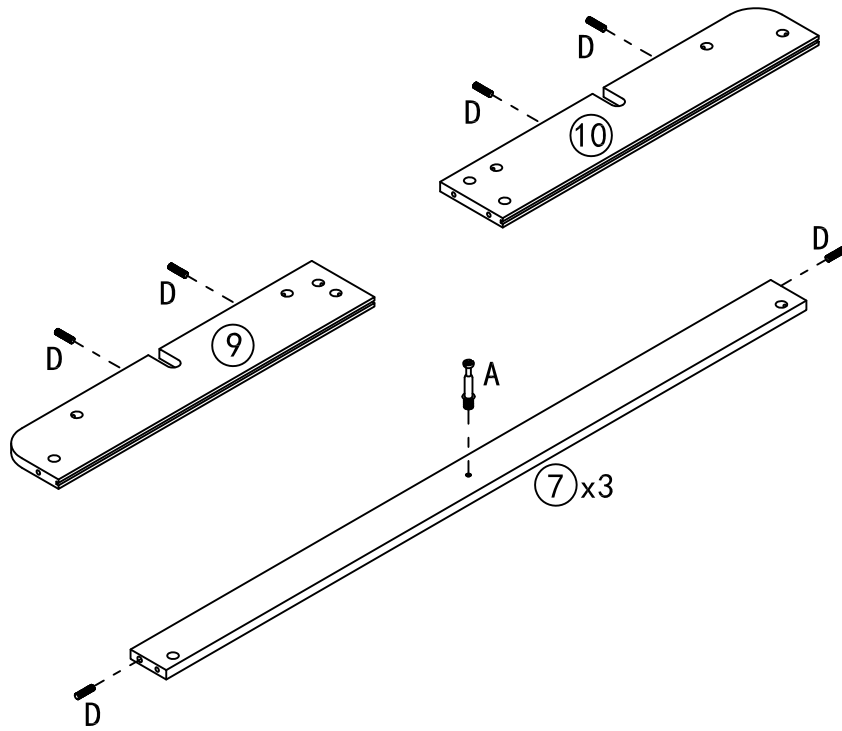
	A*14PCS		D*4PCS
---	---------	---	--------


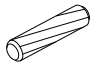
# STEP 5



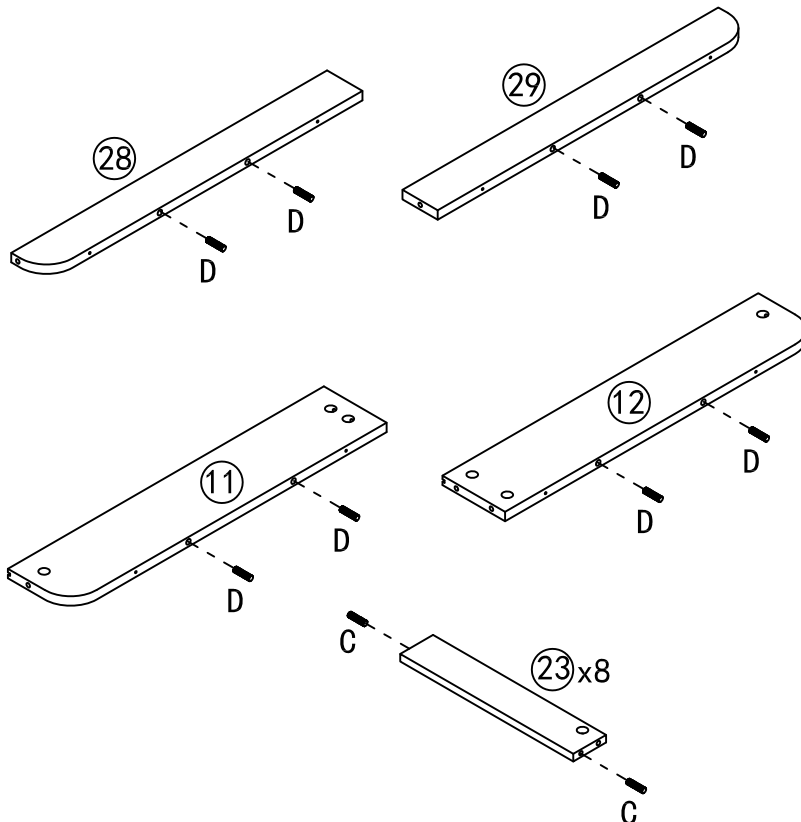
	E*24PCS		P1*8PCS
---	---------	---	---------

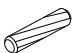

# STEP 6



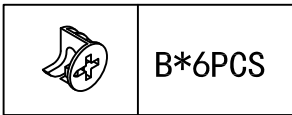
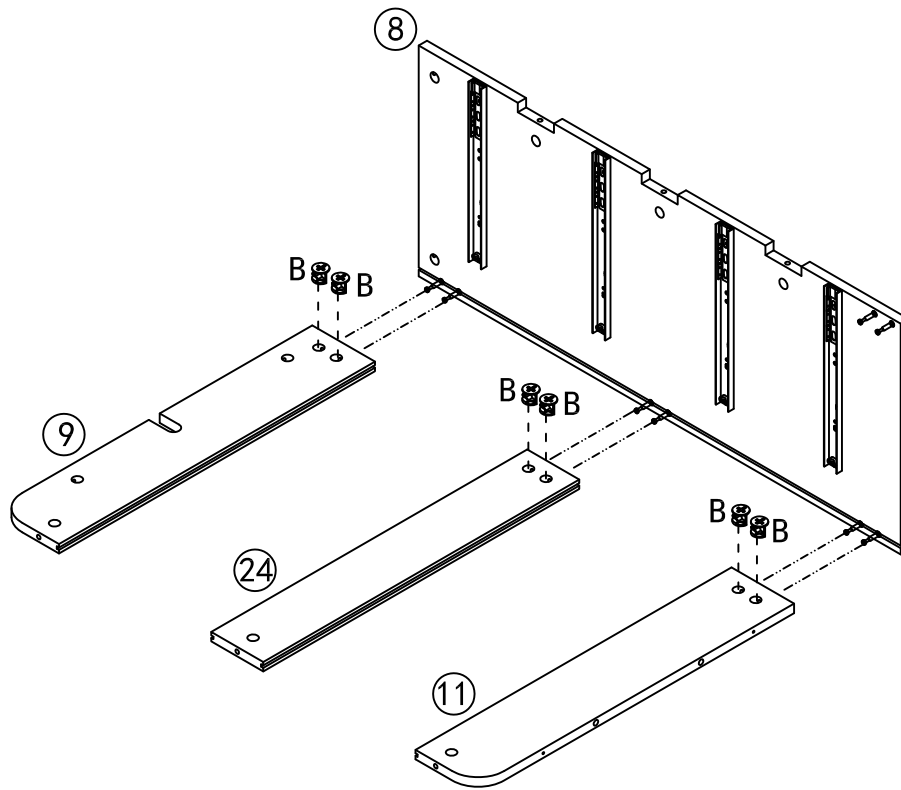
	A*3PCS		D*10PCS
---	--------	---	---------

# STEP 7

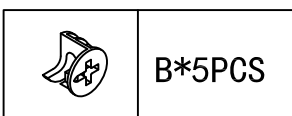
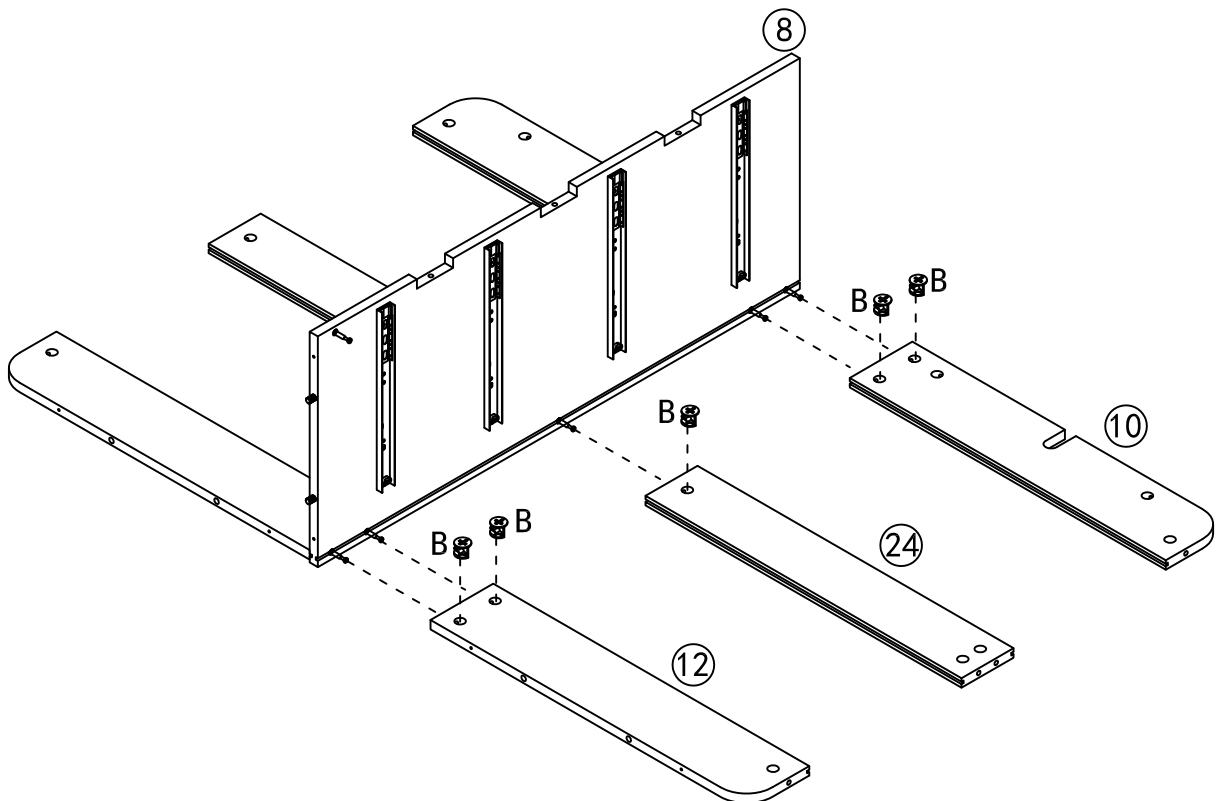


	C*16PCS		D*8PCS
---	---------	---	--------

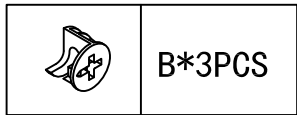
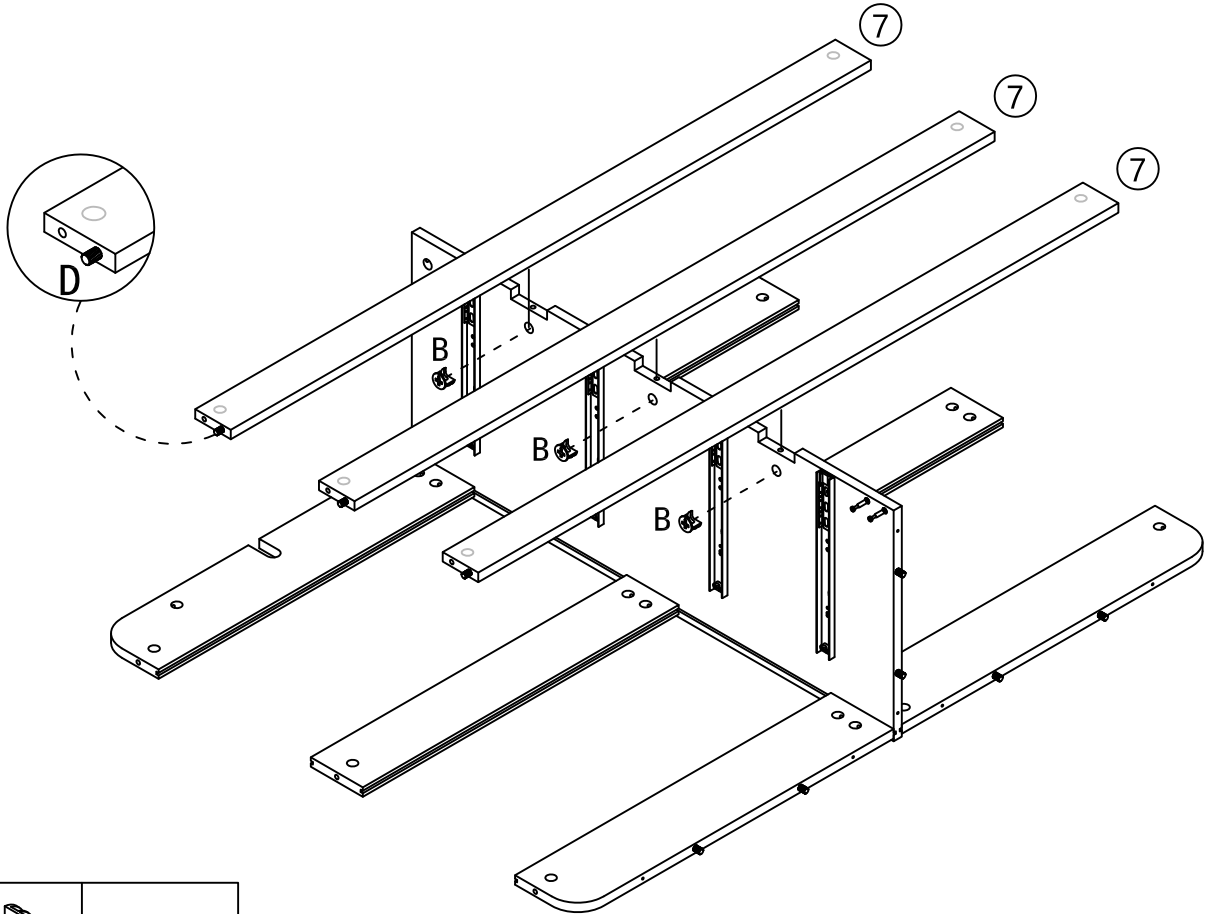
# STEP 8



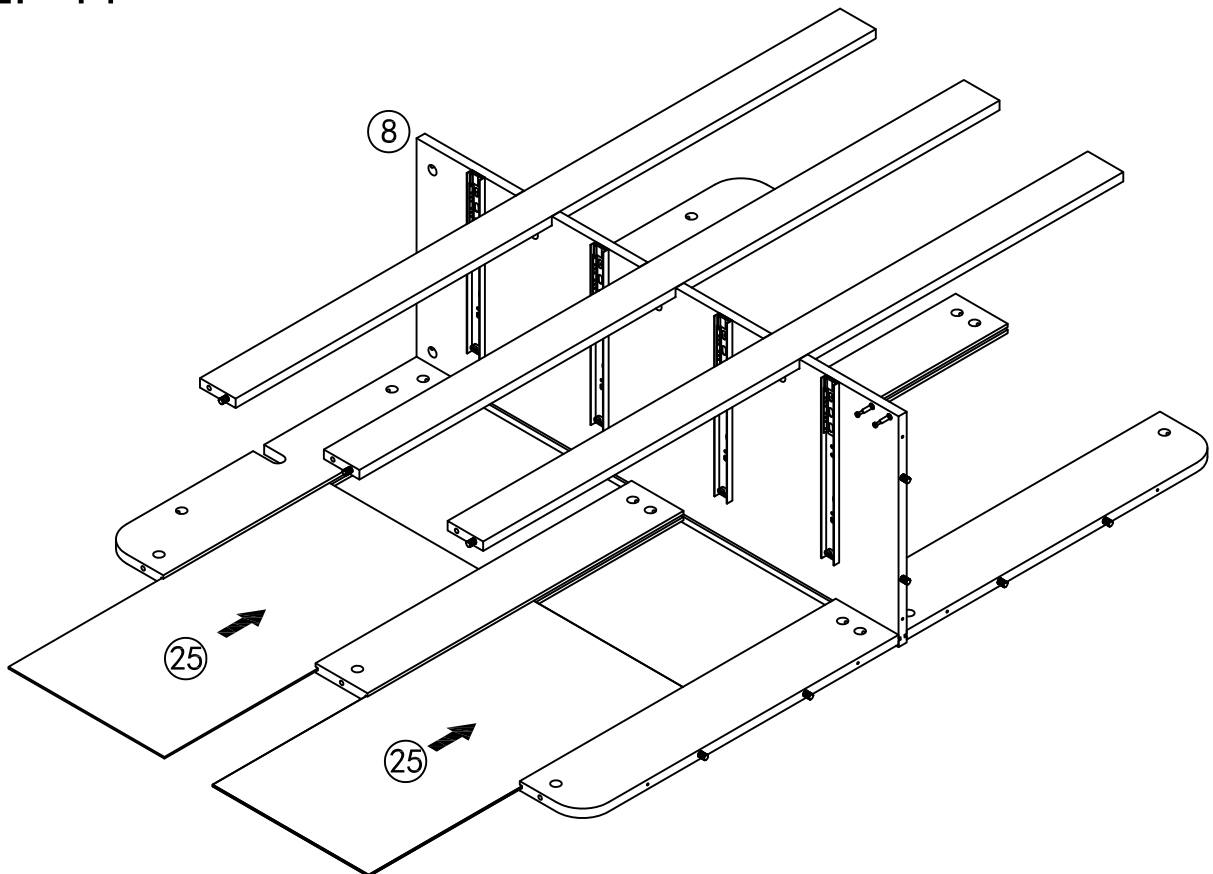
# STEP 9



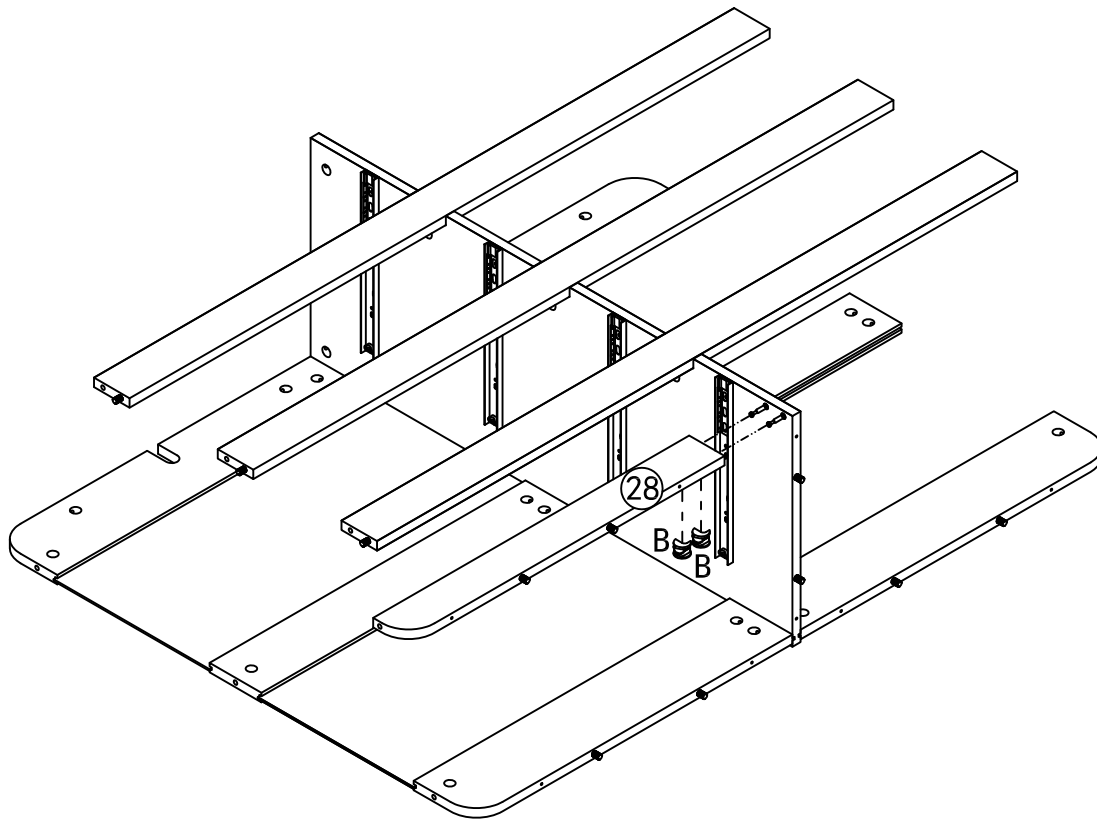
# STEP 10




# STEP 11

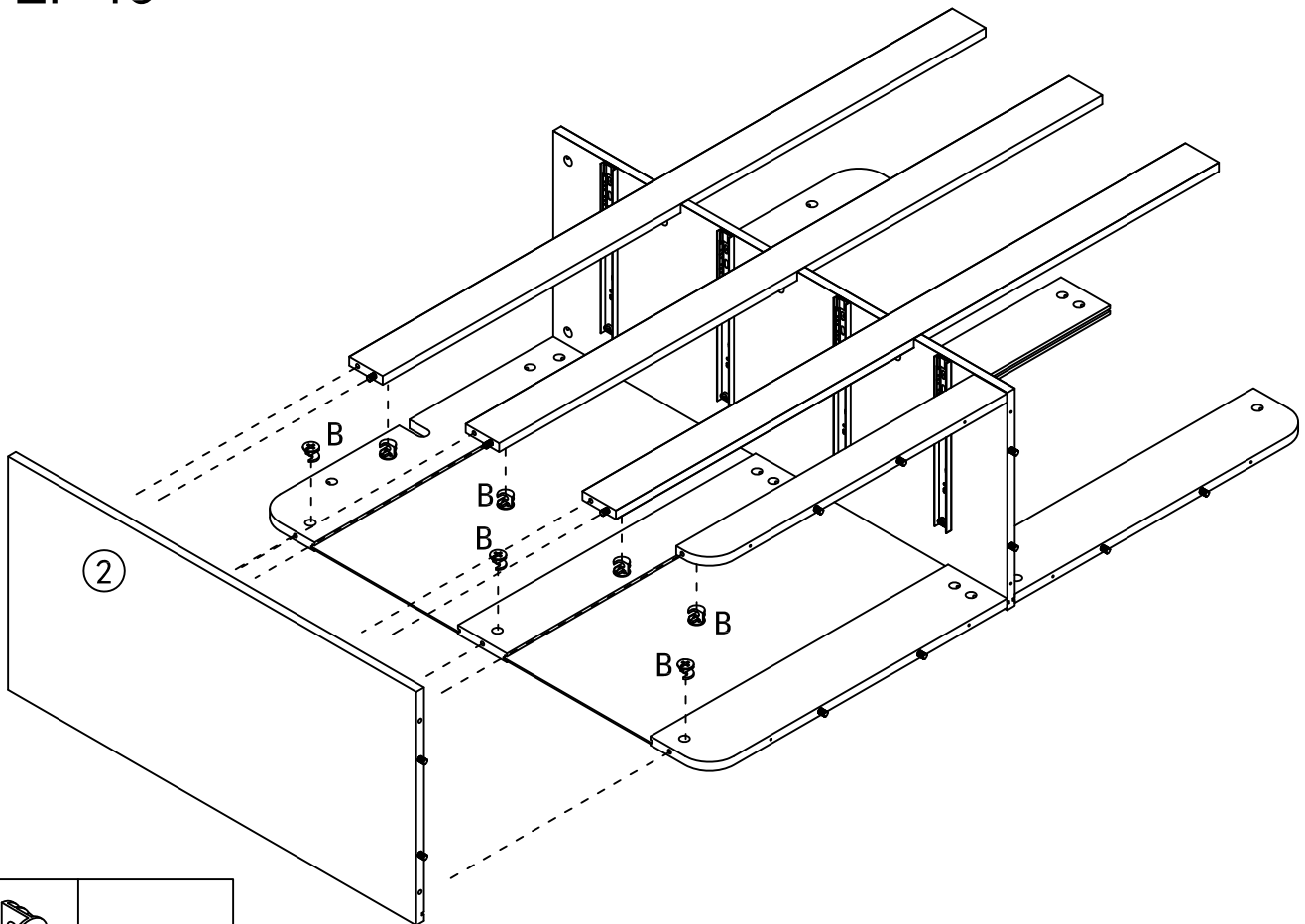



# STEP 12



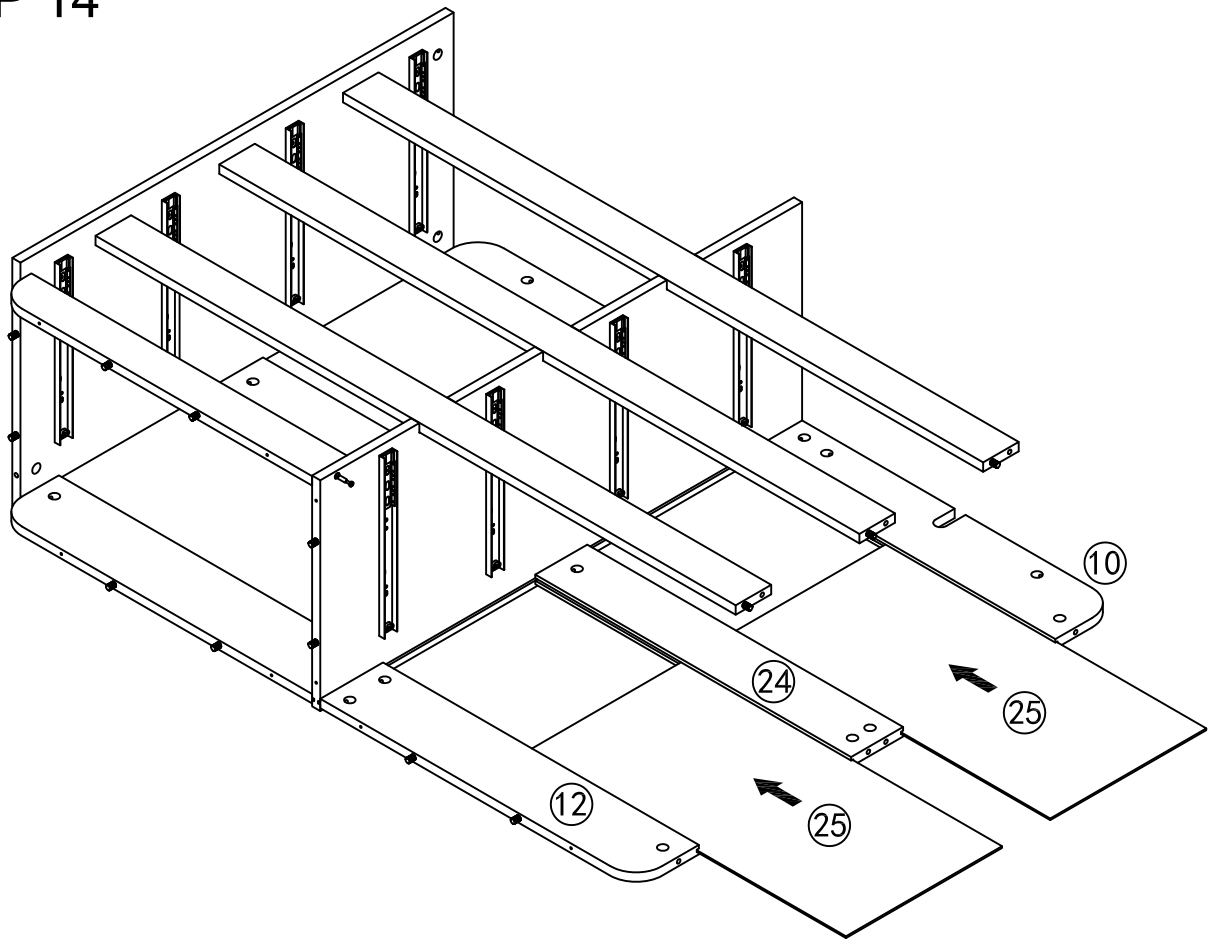
	B*2PCS
---	--------

# STEP 13

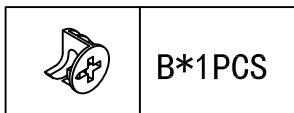
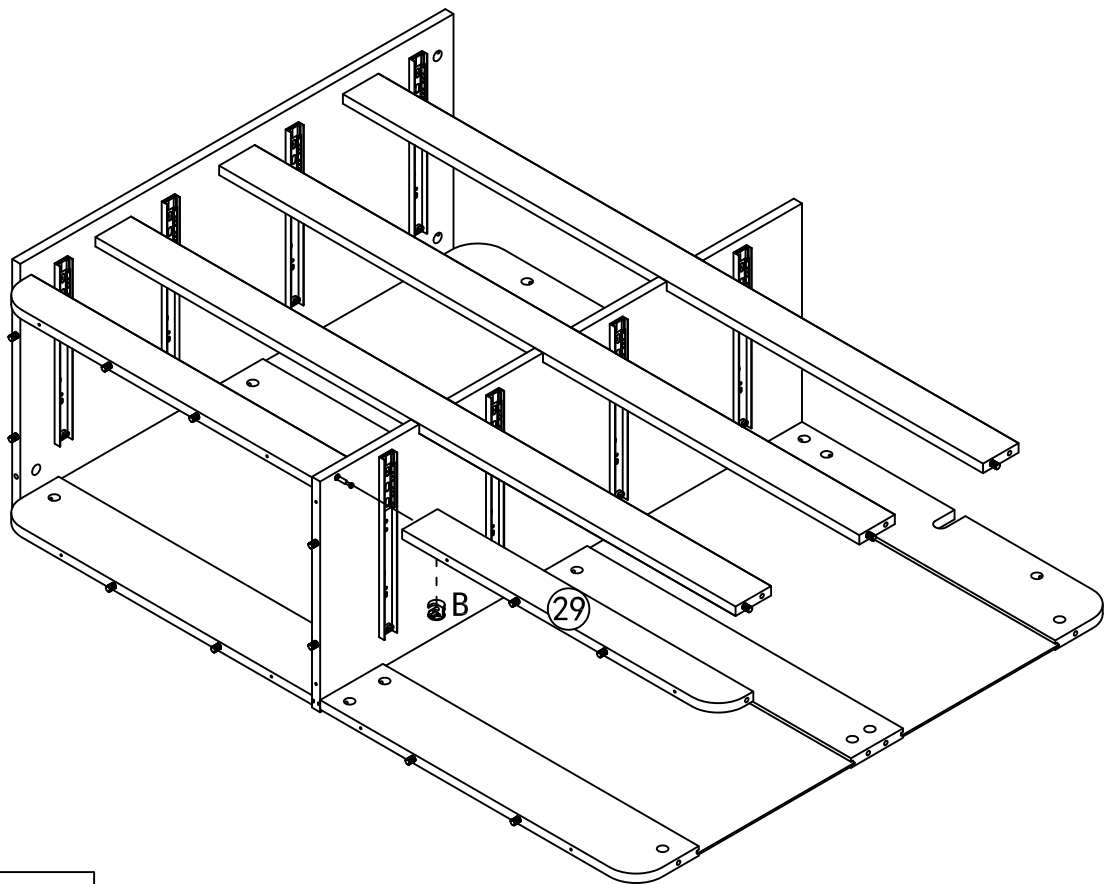


	B*7PCS
---	--------

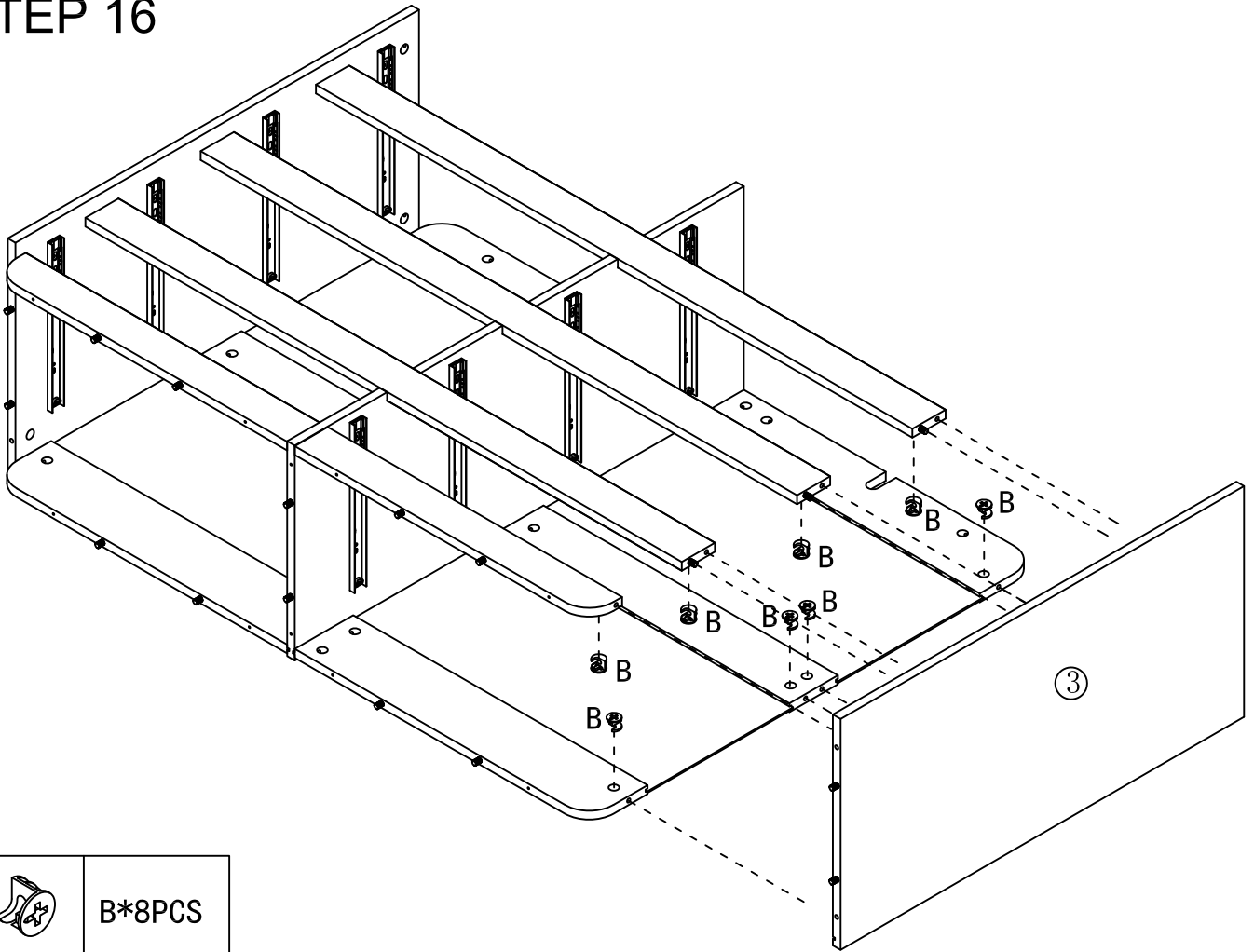
# STEP 14




# STEP 15

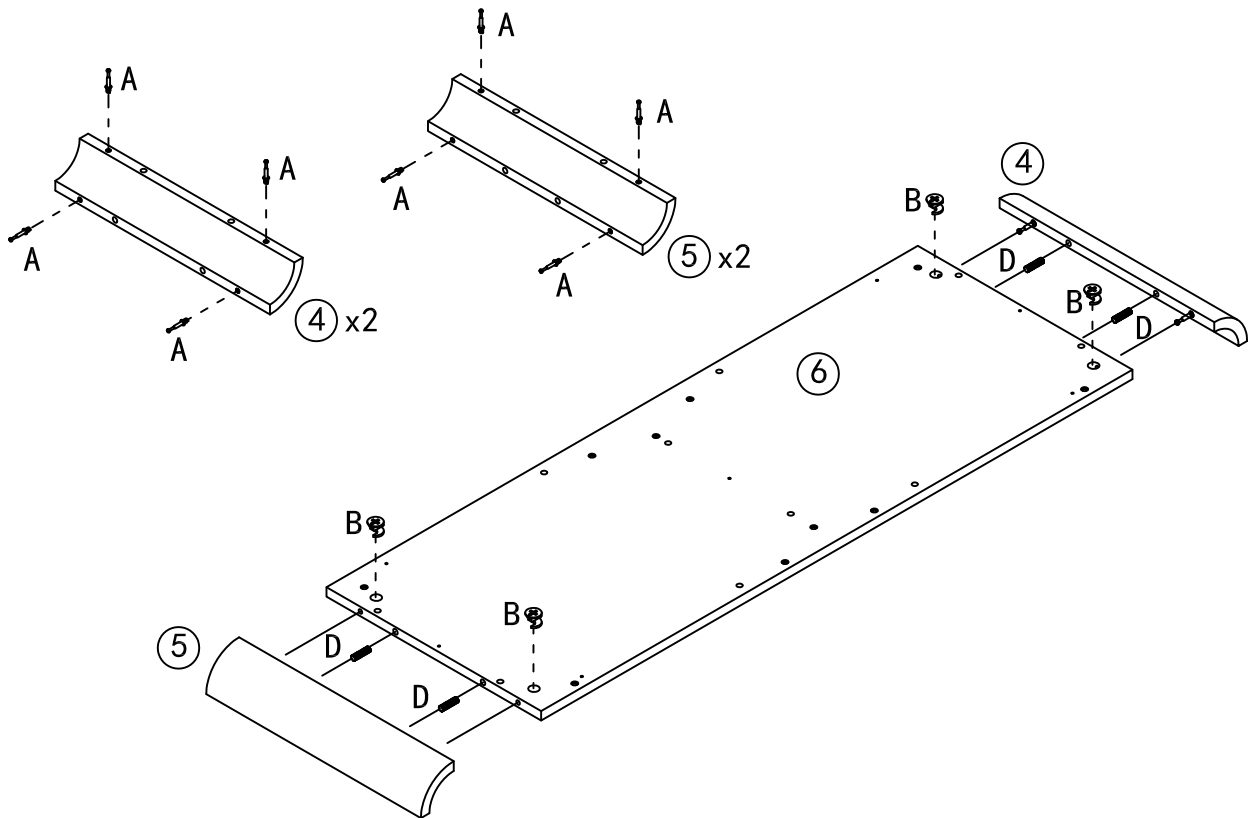




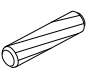
# STEP 16



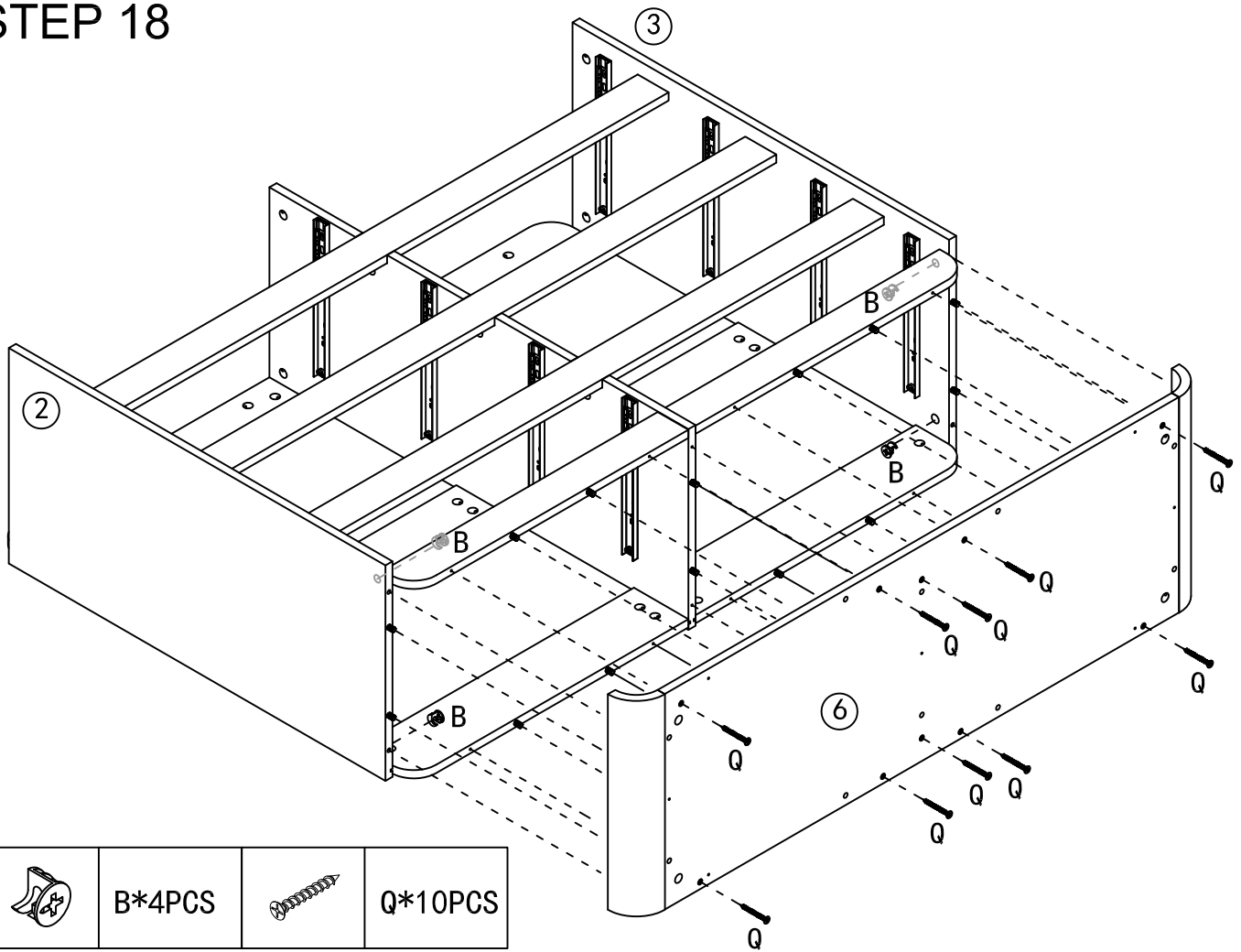
	<b>B*8PCS</b>
---	---------------



# STEP 17



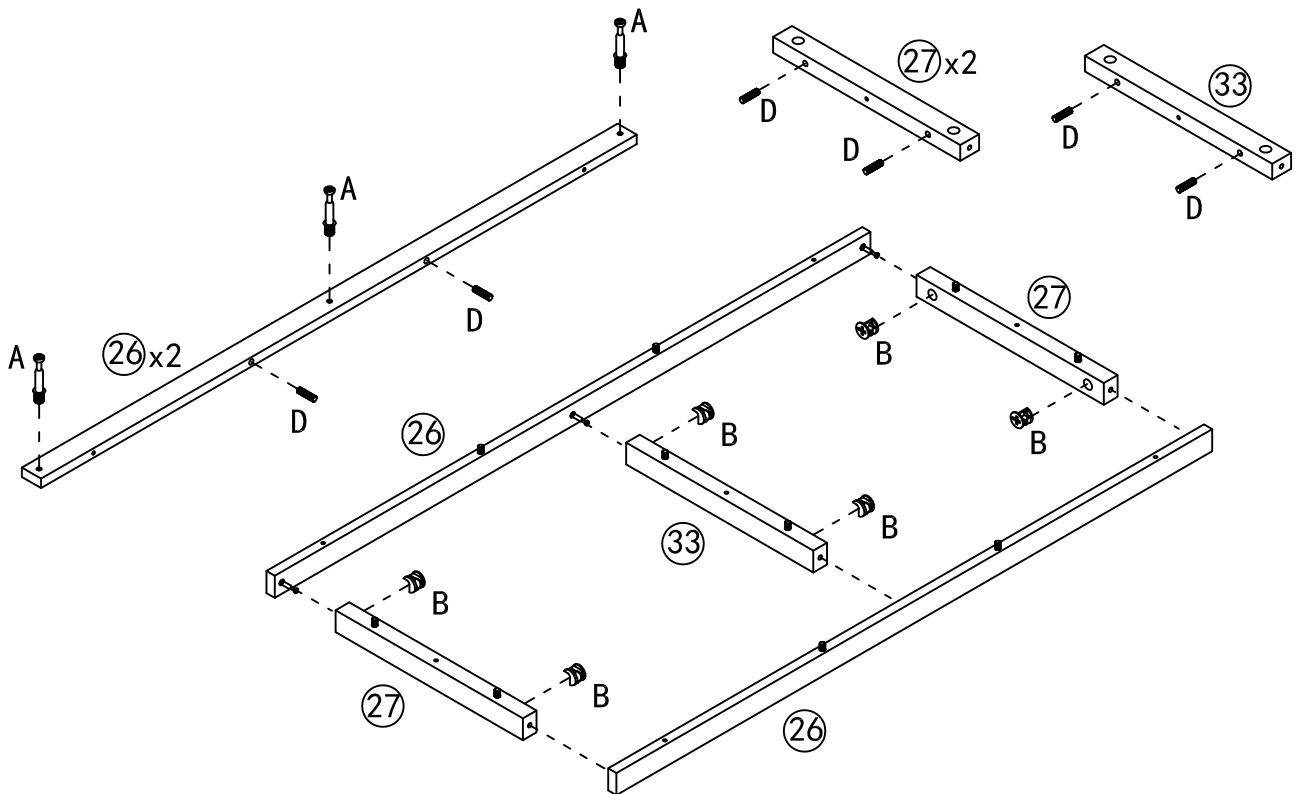
	<b>A*16PCS</b>		<b>B*4PCS</b>		<b>D*4PCS</b>
---	----------------	---	---------------	---	---------------



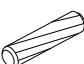
# STEP 18



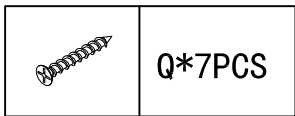
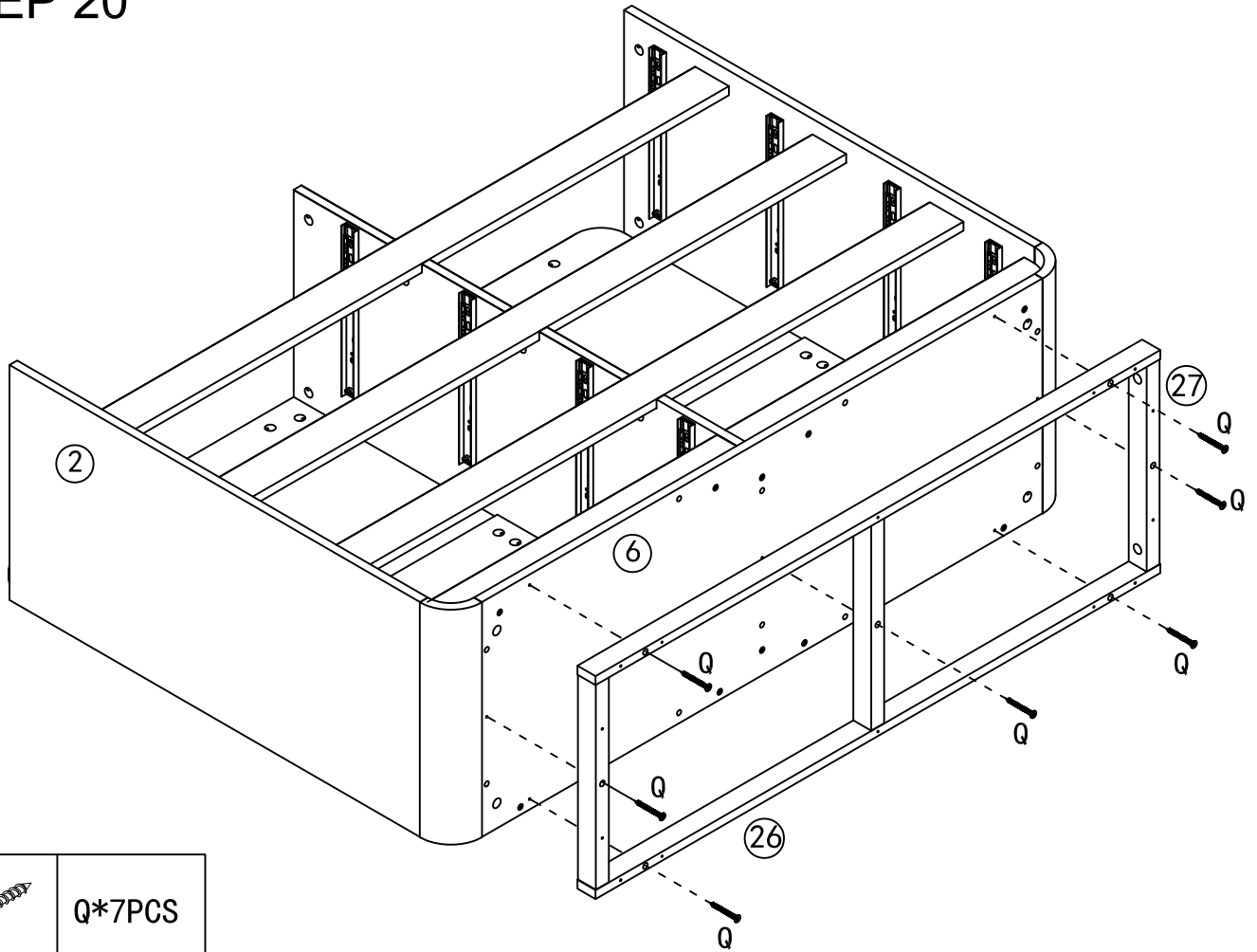
	B*4PCS		Q*10PCS
---	--------	---	---------

# STEP 19

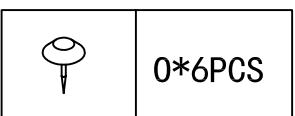
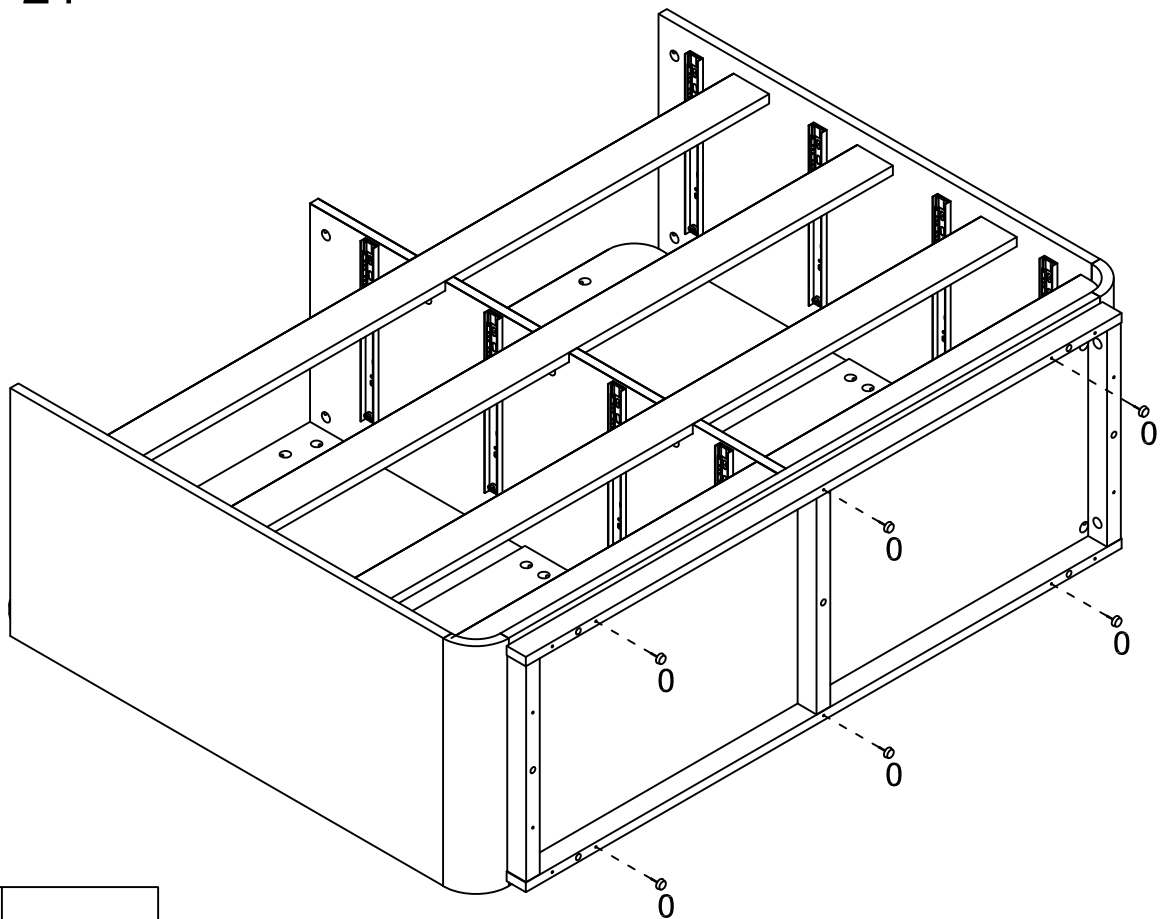


	A*6PCS		B*6PCS		D*10PCS
---	--------	---	--------	---	---------

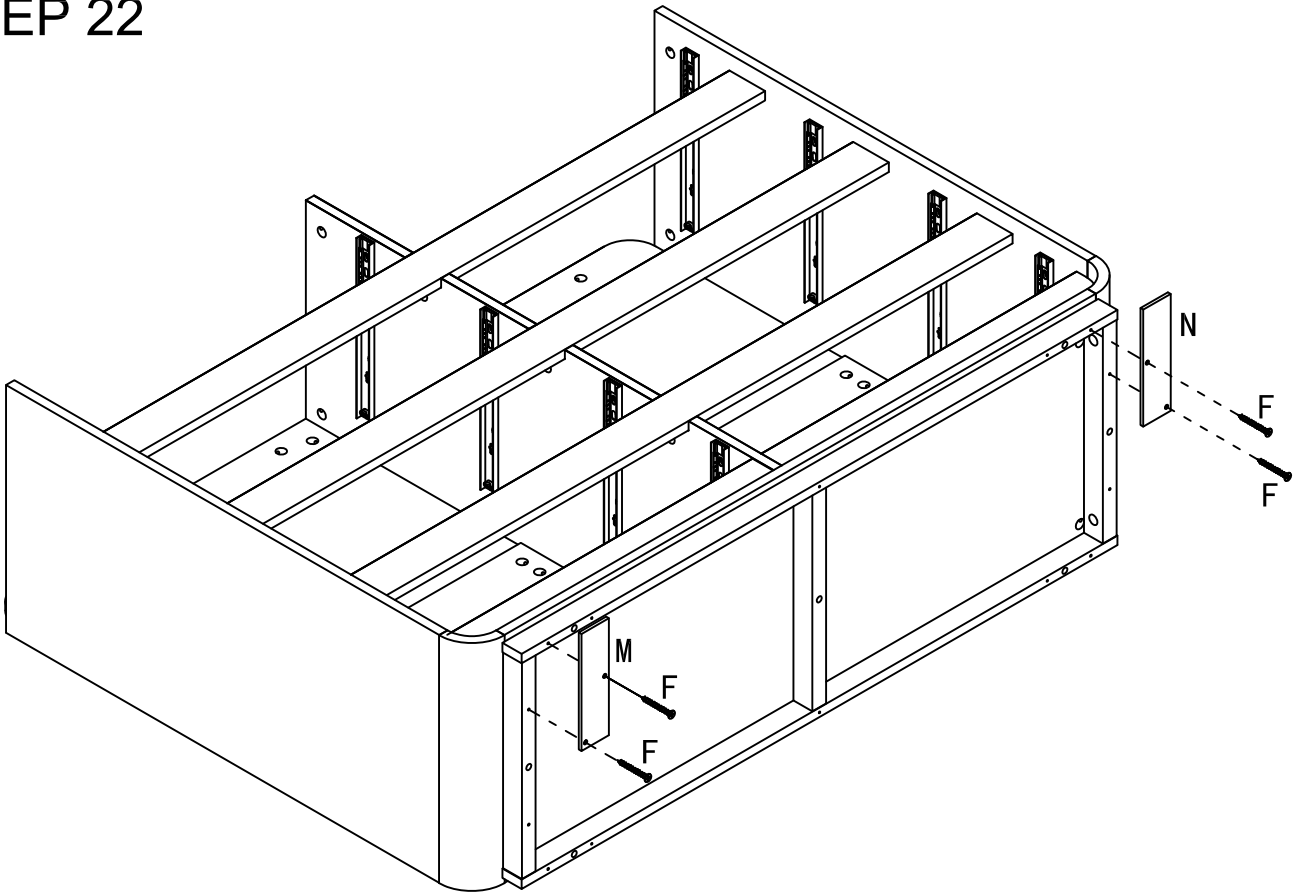
# STEP 20






# STEP 21

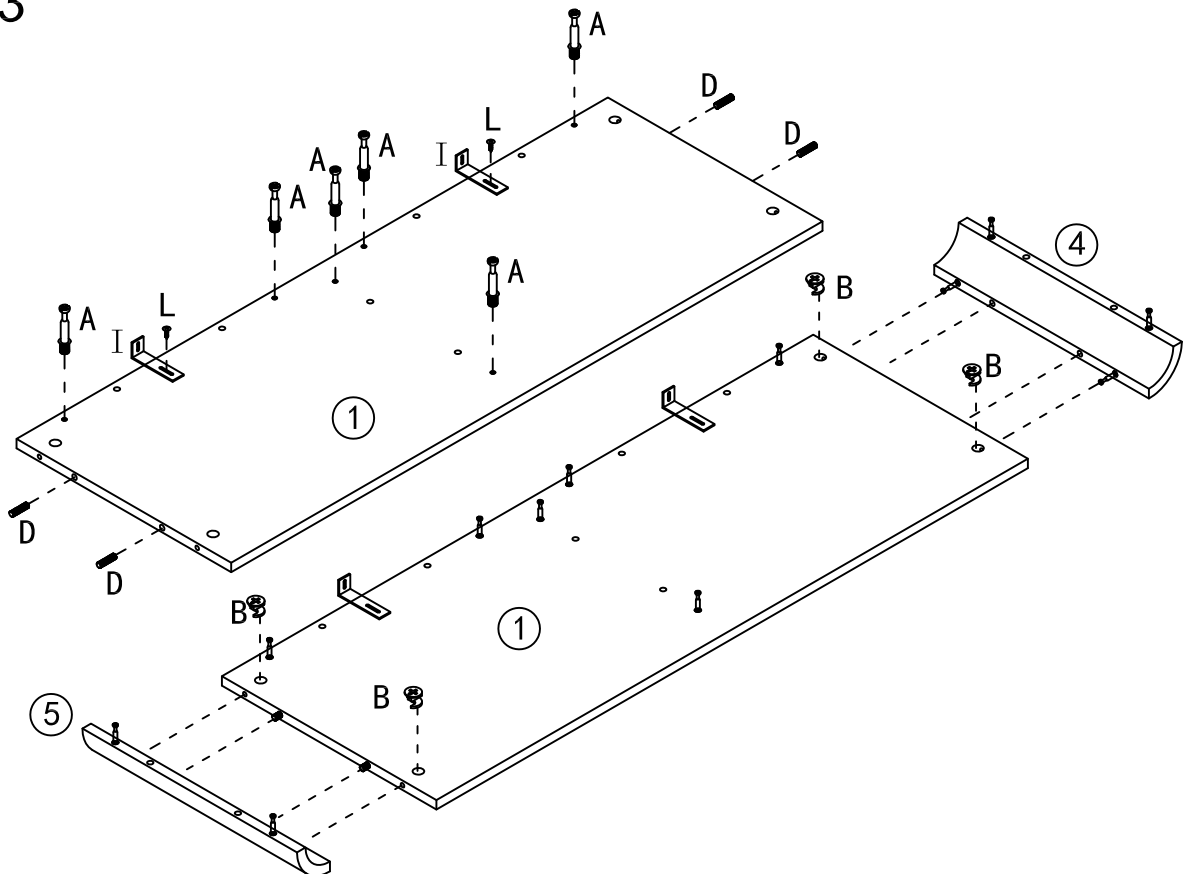




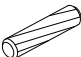


# STEP 22



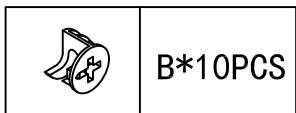
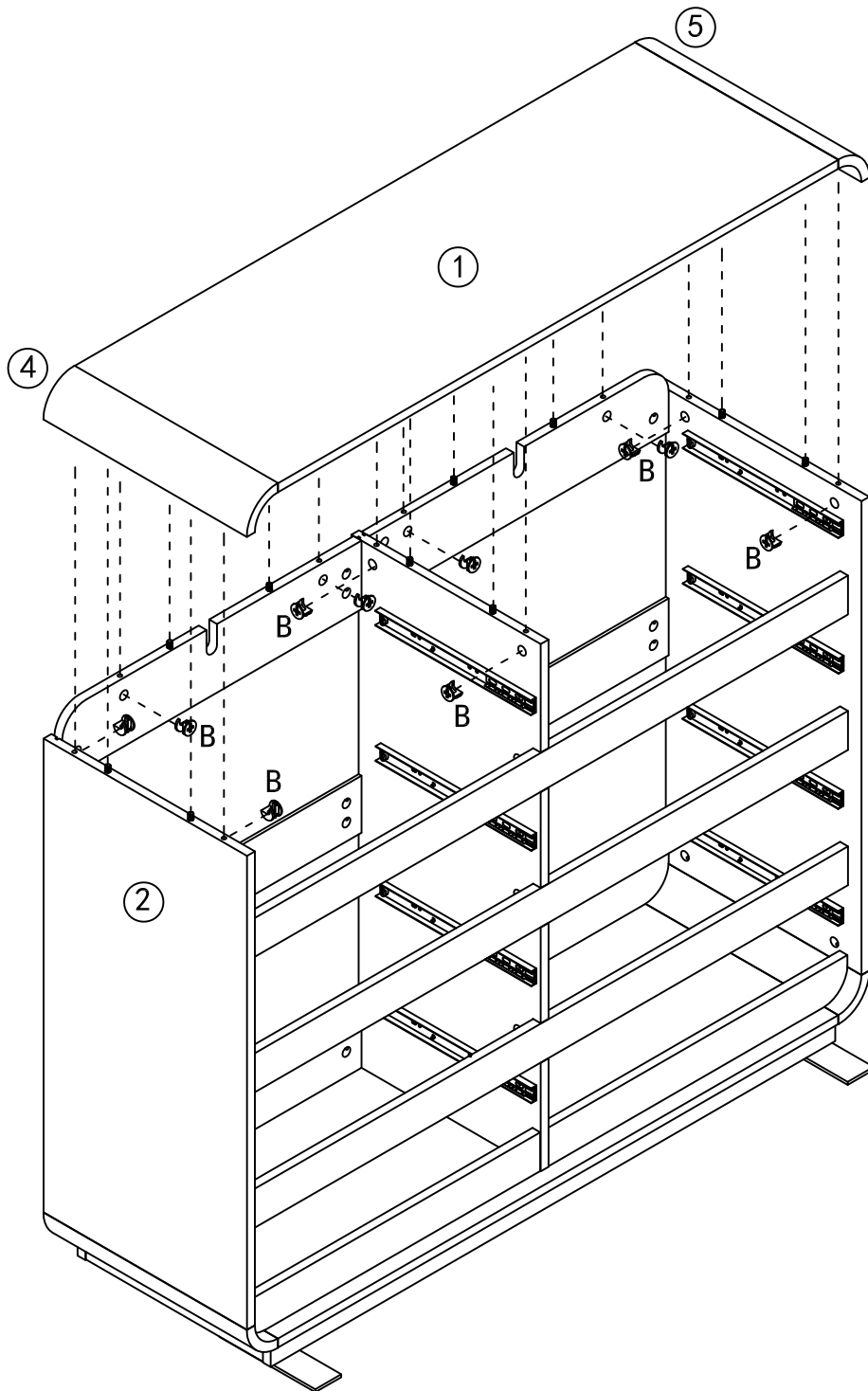
	F*4PCS		M*1PCS		N*1PCS
---	--------	---	--------	---	--------

# STEP 23

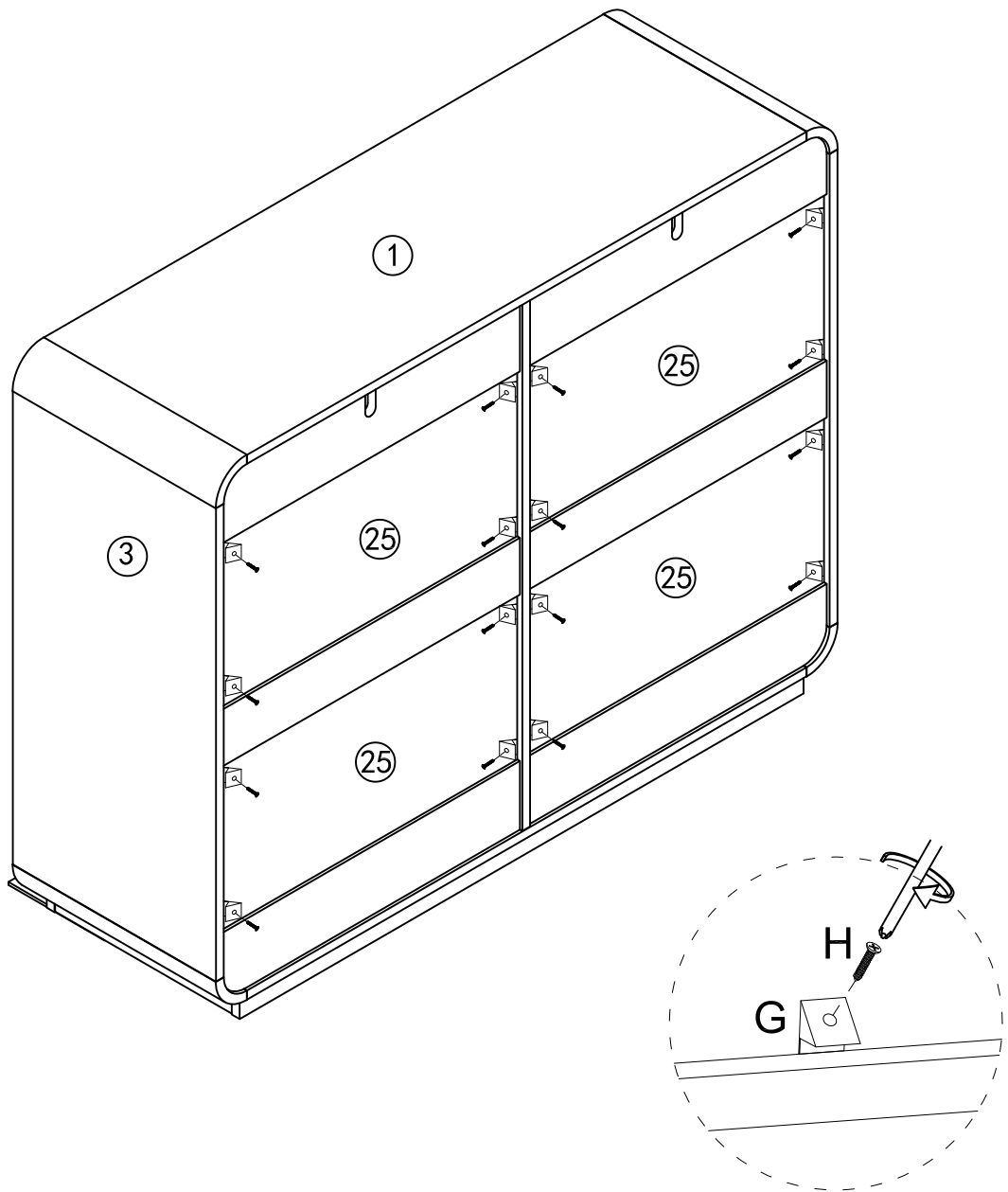




	A*6PCS		B*4PCS		D*4PCS		I*2PCS		L*2PCS
---	--------	---	--------	---	--------	--	--------	---	--------

# STEP 24

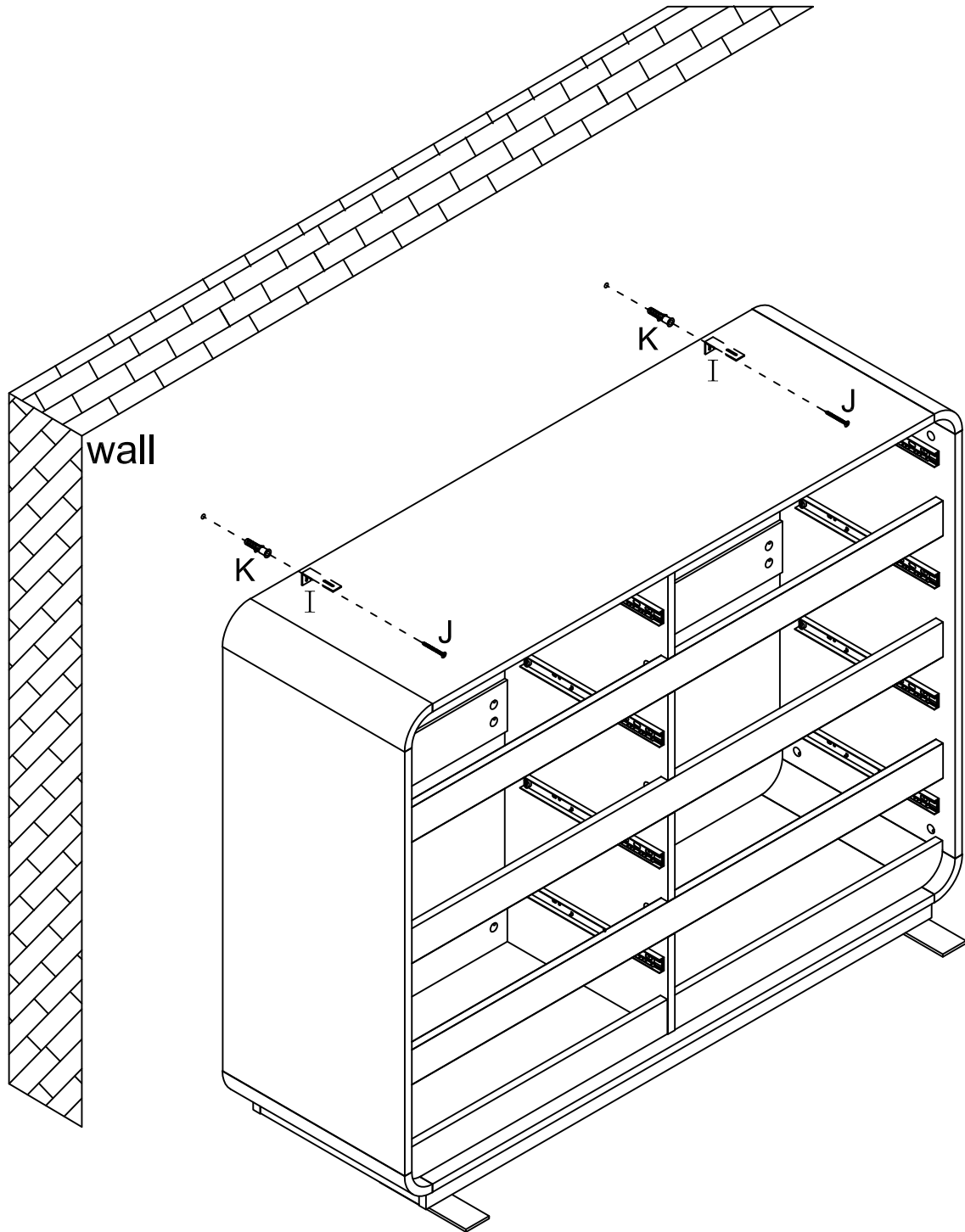
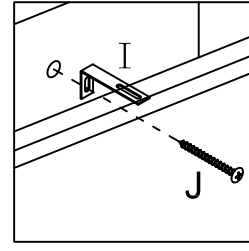
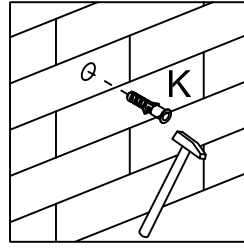
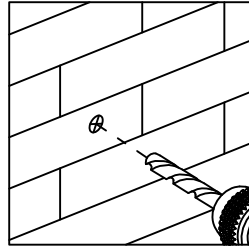
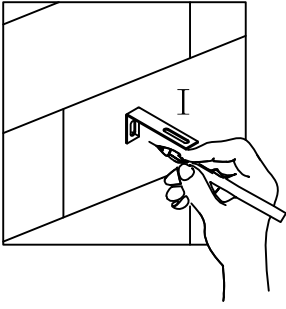




# STEP 25



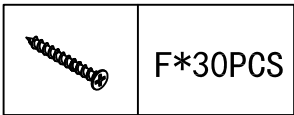
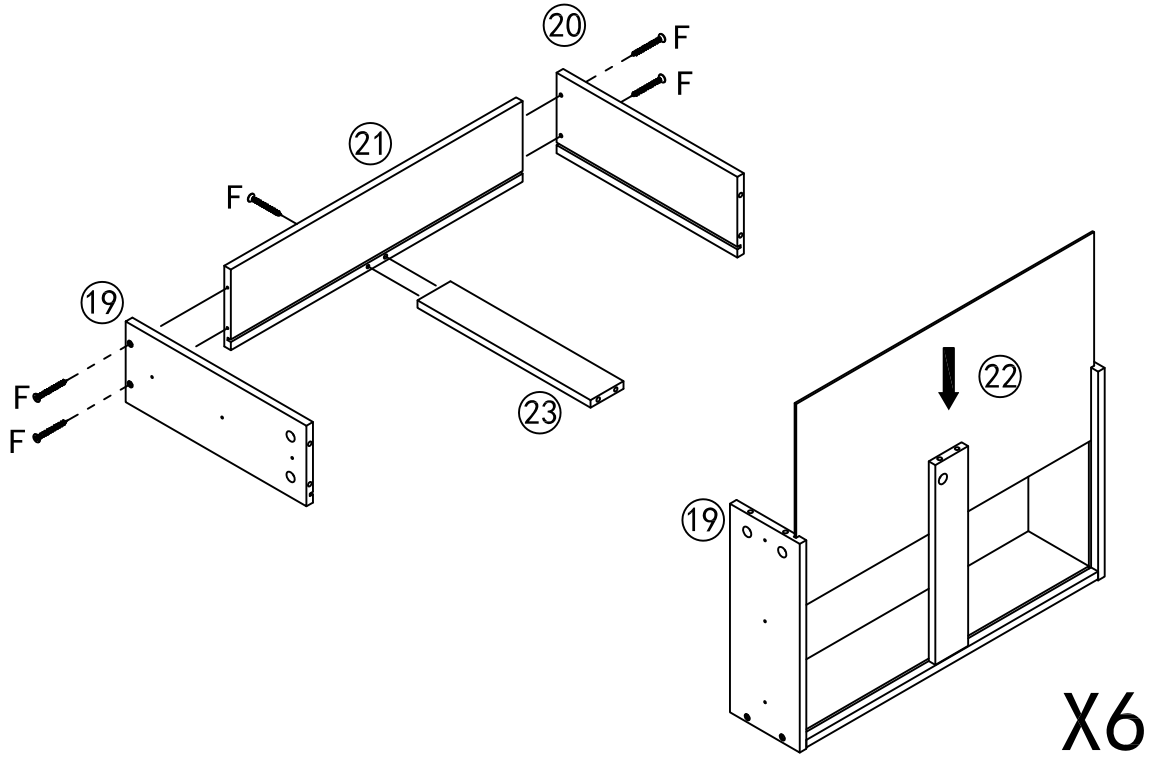
	G*16PCS		H*16PCS
---	---------	---	---------

# STEP 26

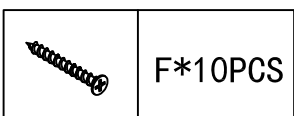
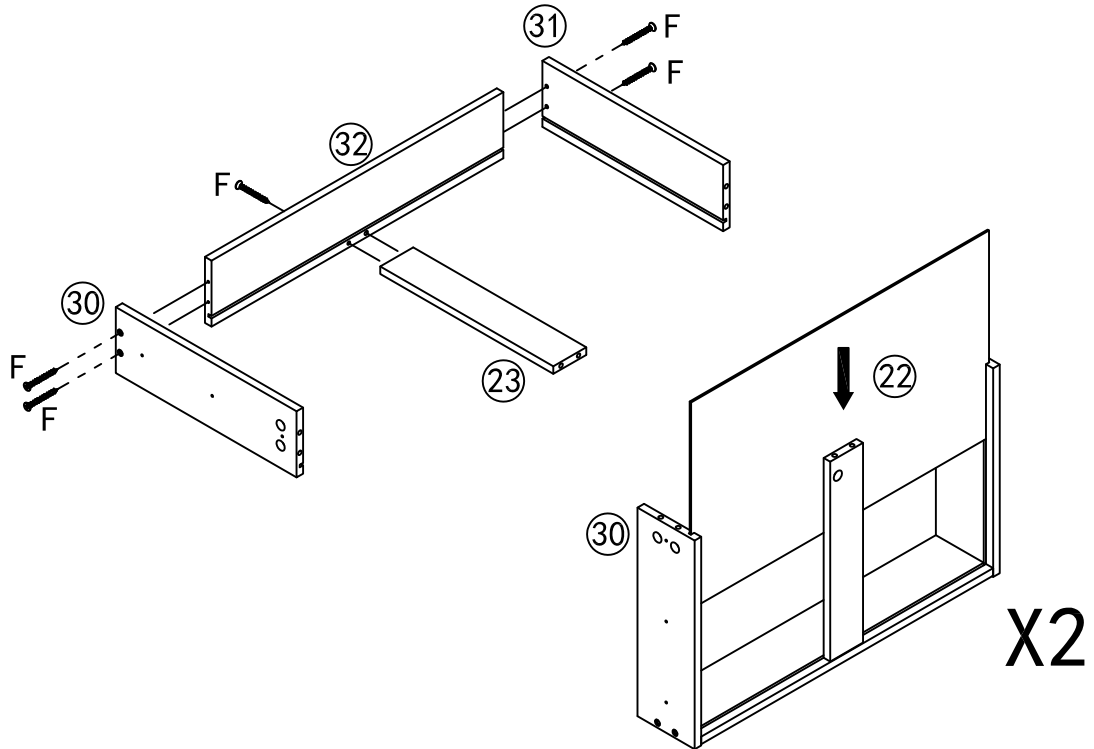


	J*2PCS		K*2PCS
---	--------	---	--------

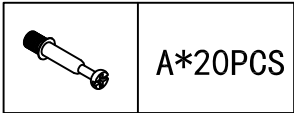
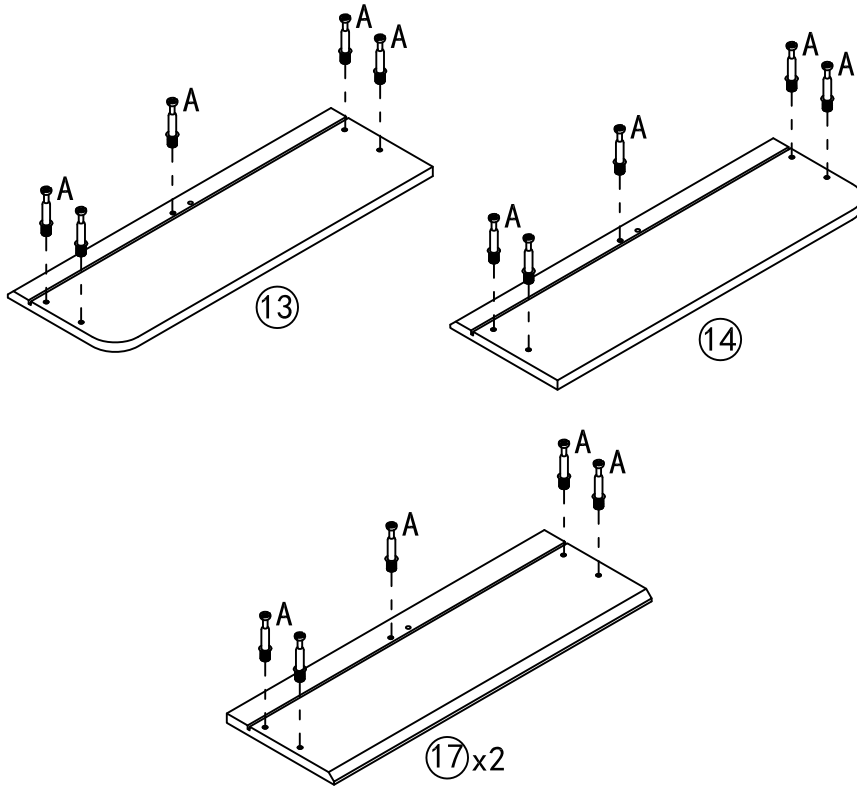
# STEP 27



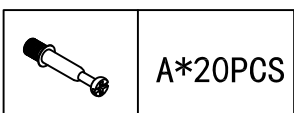
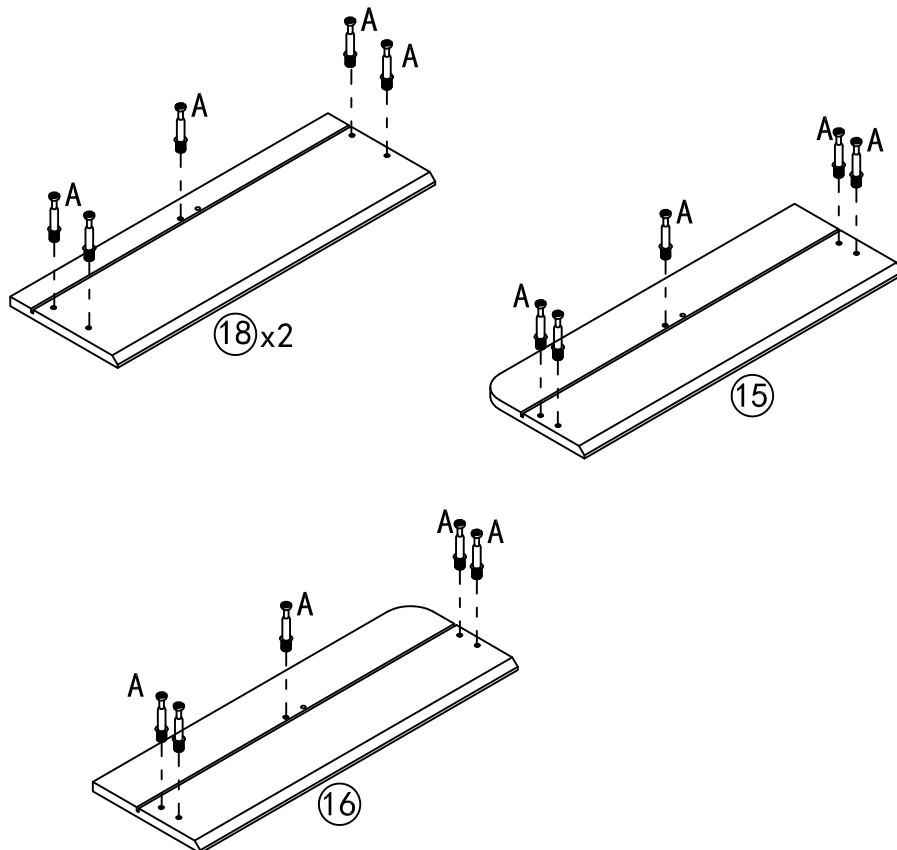
# STEP 28



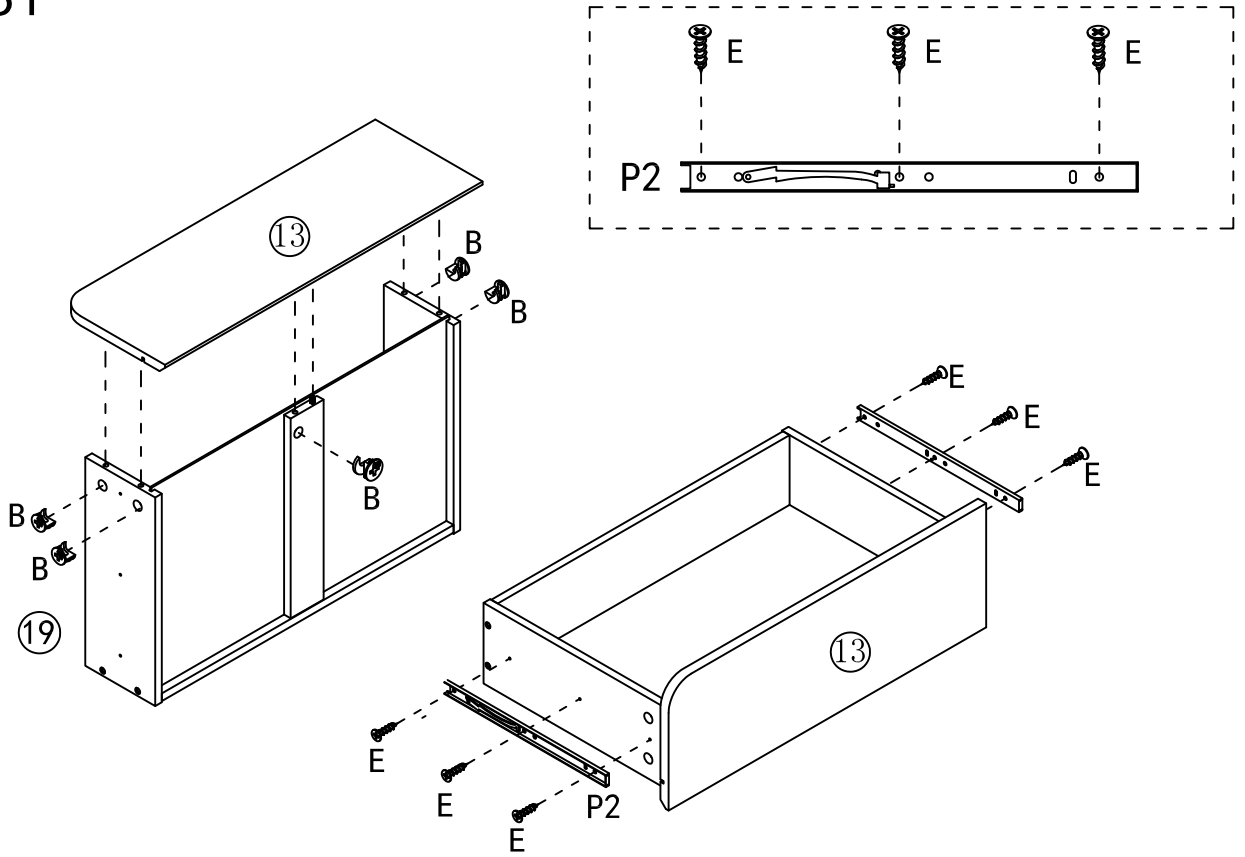
# STEP 29






# STEP 30

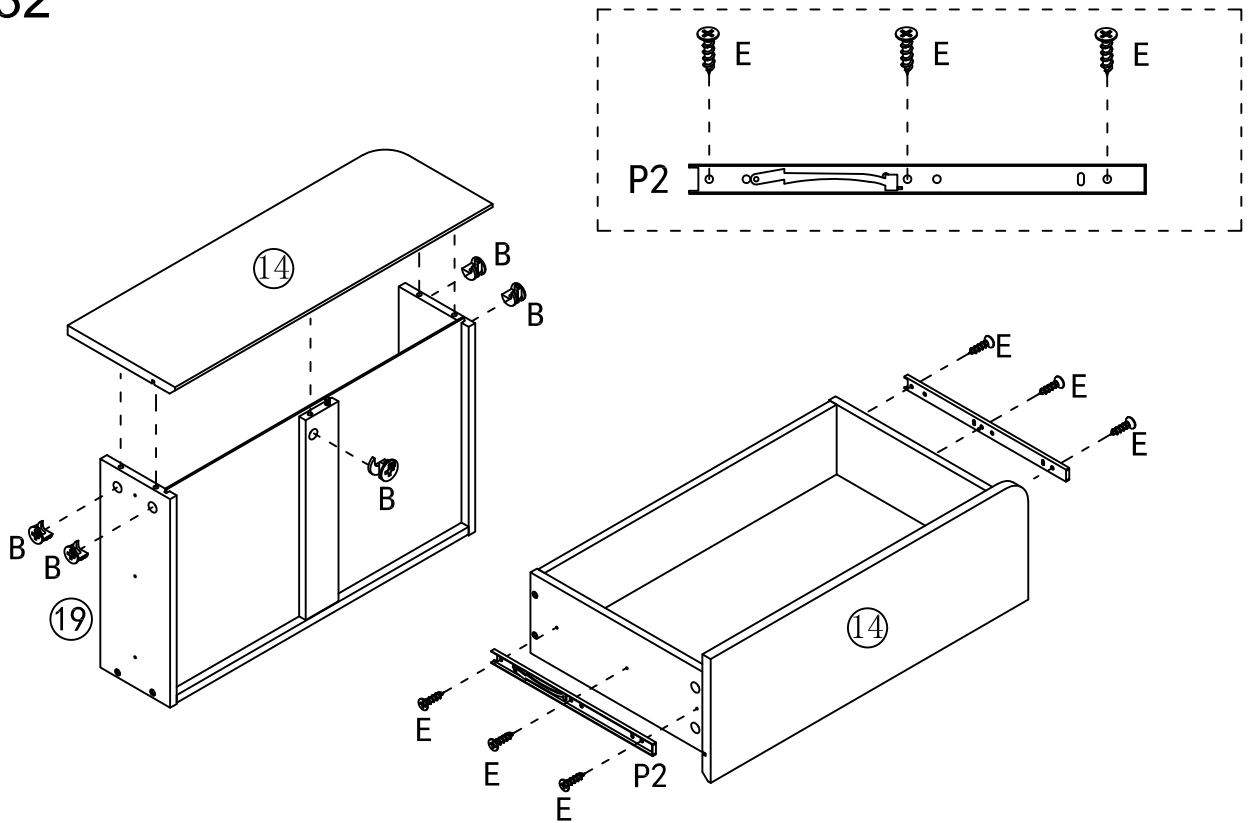





# STEP 31



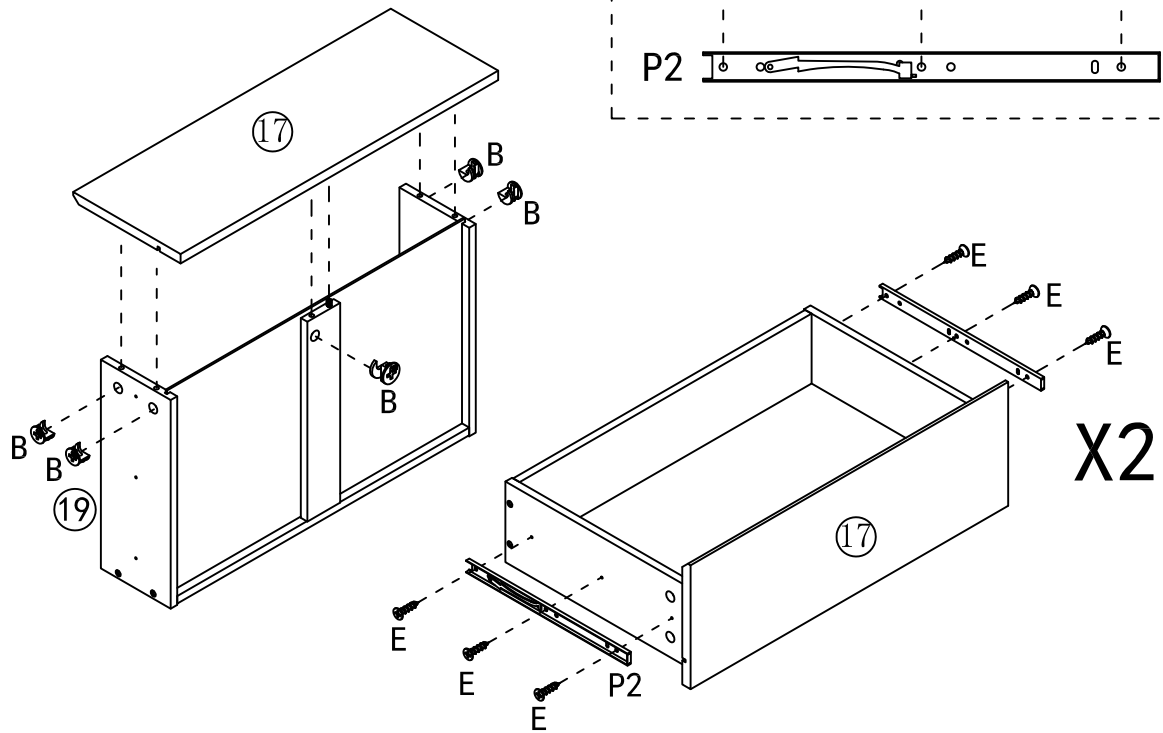
	B*5PCS		E*6PCS		P2*2PCS
---	--------	---	--------	---	---------




# STEP 32



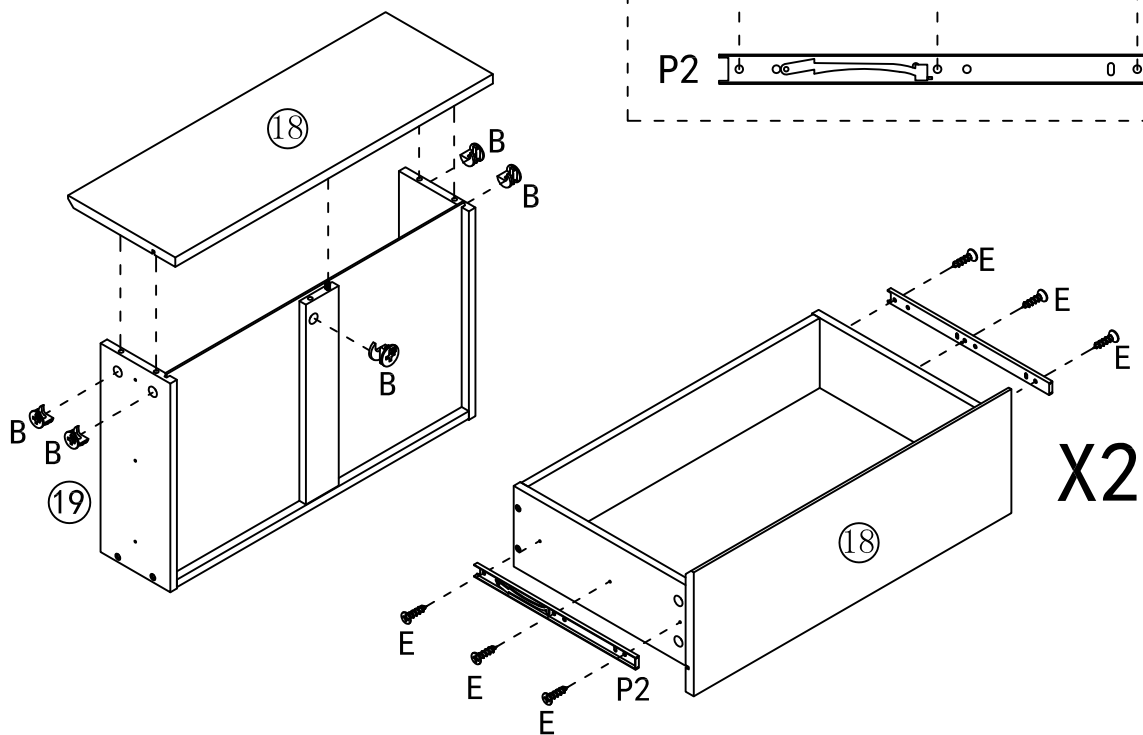
	B*5PCS		E*6PCS		P2*2PCS
---	--------	---	--------	---	---------




# STEP 33



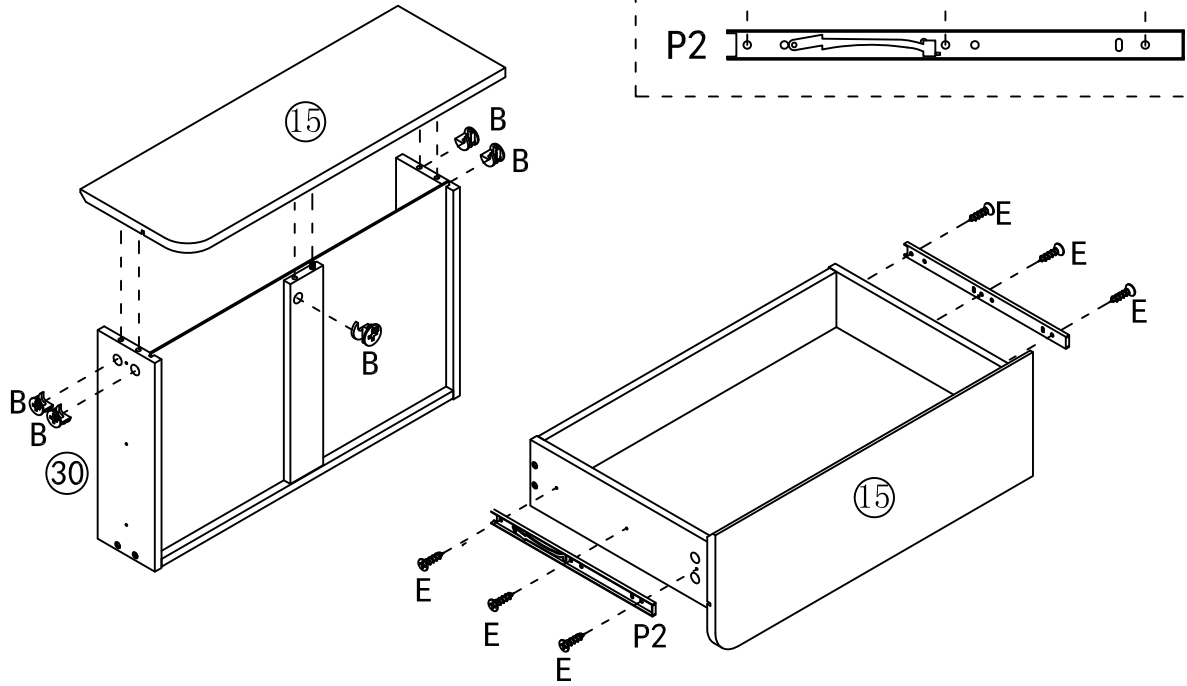
	B*10PCS		E*12PCS		P2*4PCS
---	---------	---	---------	---	---------




# STEP 34



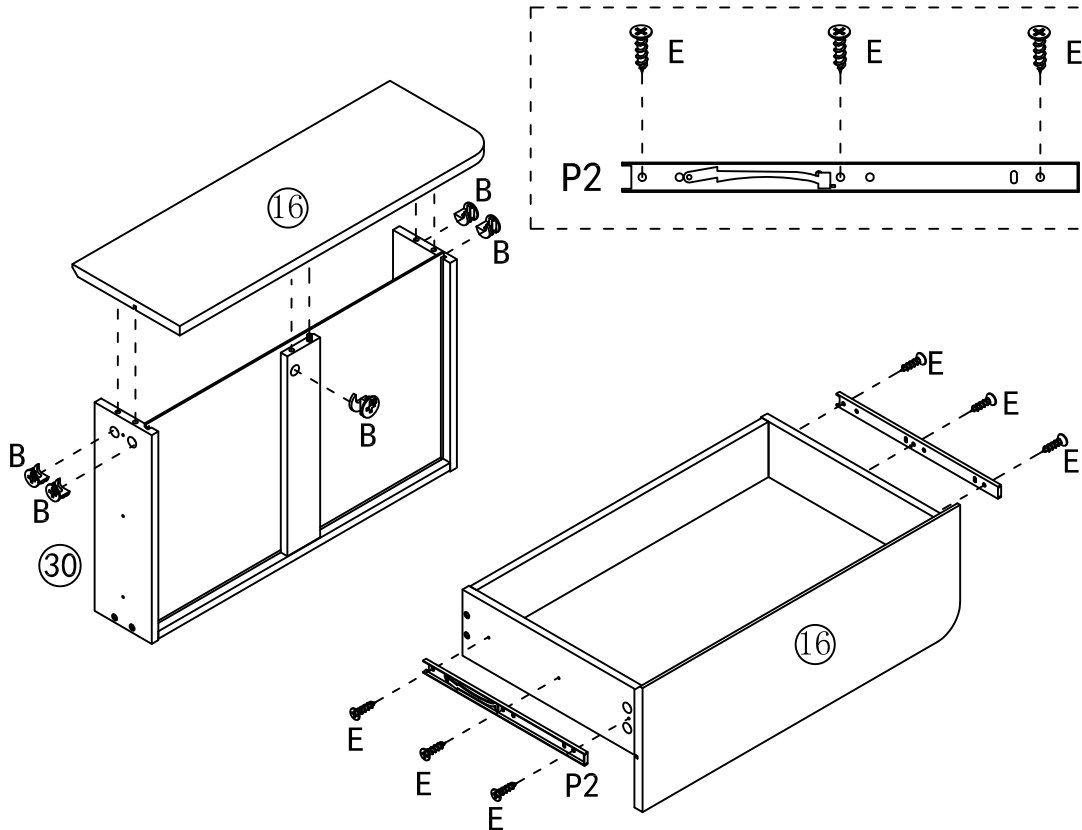
	B*10PCS		E*12PCS		P2*4PCS
---	---------	---	---------	---	---------




# STEP 35



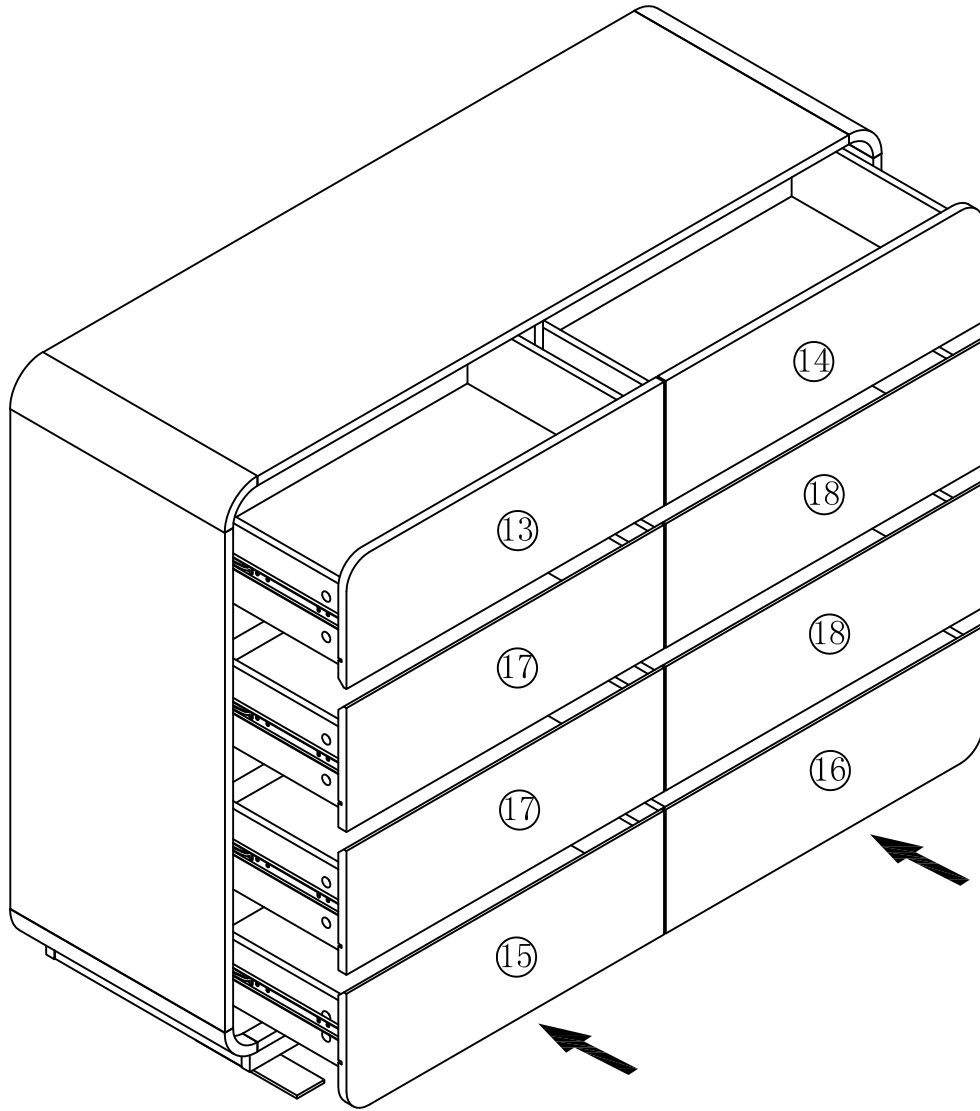
	B*5PCS		E*6PCS		P2*2PCS
---	--------	---	--------	---	---------

# STEP 36

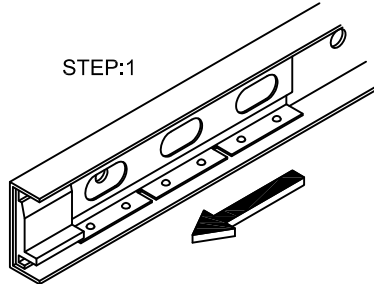


	B*5PCS		E*6PCS		P2*2PCS
---	--------	---	--------	---	---------

# STEP 37



STEP:1



STEP:2

