

# ASSEMBLY INSTRUCTIONS

NOTE: 50% TIGHTEN BEFORE FIXING ALL BOLTS

**N704P210496K**

Thank you for choosing our products.

## 1. Return Policy




**DO NOT RETURN TO THE STORE!** Skip the process of returning your product and contact us directly for a replacement

If you find that parts of your order are missing or damaged, we will gladly ship any needed replacement parts free of charge.

If you have found any sort of defect, please contact our customer service department and let us know the details of your order and any issues encountered, we will try our best to provide you with a solution.

## Recommendations Before Beginning Assembly

 • Read instructions, cover to cover

 • Have 2-4 adults on hand for assembly depending on product size

 • Do not assemble directly on flooring or carpet

 • Assemble on a clean non-marring surface (example: packing foam)

 • Save all packaging until finished

## 3. Assembly Notice:

- If you encounter any problems during assembly and find that you cannot continue, rest assured we will help you solve the situation as soon as possible. Simply keep all of the parts of the product stored in a safe place and contact us immediately so we may assist you further.





















- Once you have opened your package, remove all inner hardware packages and take the parts out. One by one, Place the parts out neatly in front of you, then refer to the instructions to ensure no parts are missing. If any pieces are found missing, please carefully look in the box first, as the hardware packaging might have torn making the hardware spill in the box.

- Some key parts of your product may be stored and hidden inside of other parts. Please open any zippered or hook & loop storage compartments to remove all parts. (example: cushions and legs being stored in the underside of a sofa)

- **IMPORTANT:** When setting up your product, **DO NOT INSTALL THE SCREWS ALL THE WAY IN THE BEGINNING.** Place each screw into their proper hole and use your hand to twist the screw halfway. Twist all the screws in halfway to ensure the holes will match up properly and the product is level on the ground. When everything seems fitted, then tighten the screws.

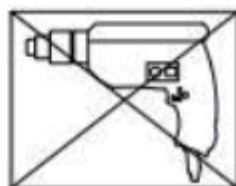
- When you have completed assembly, we suggest you have more than one person to assist you with lifting and placing the product.

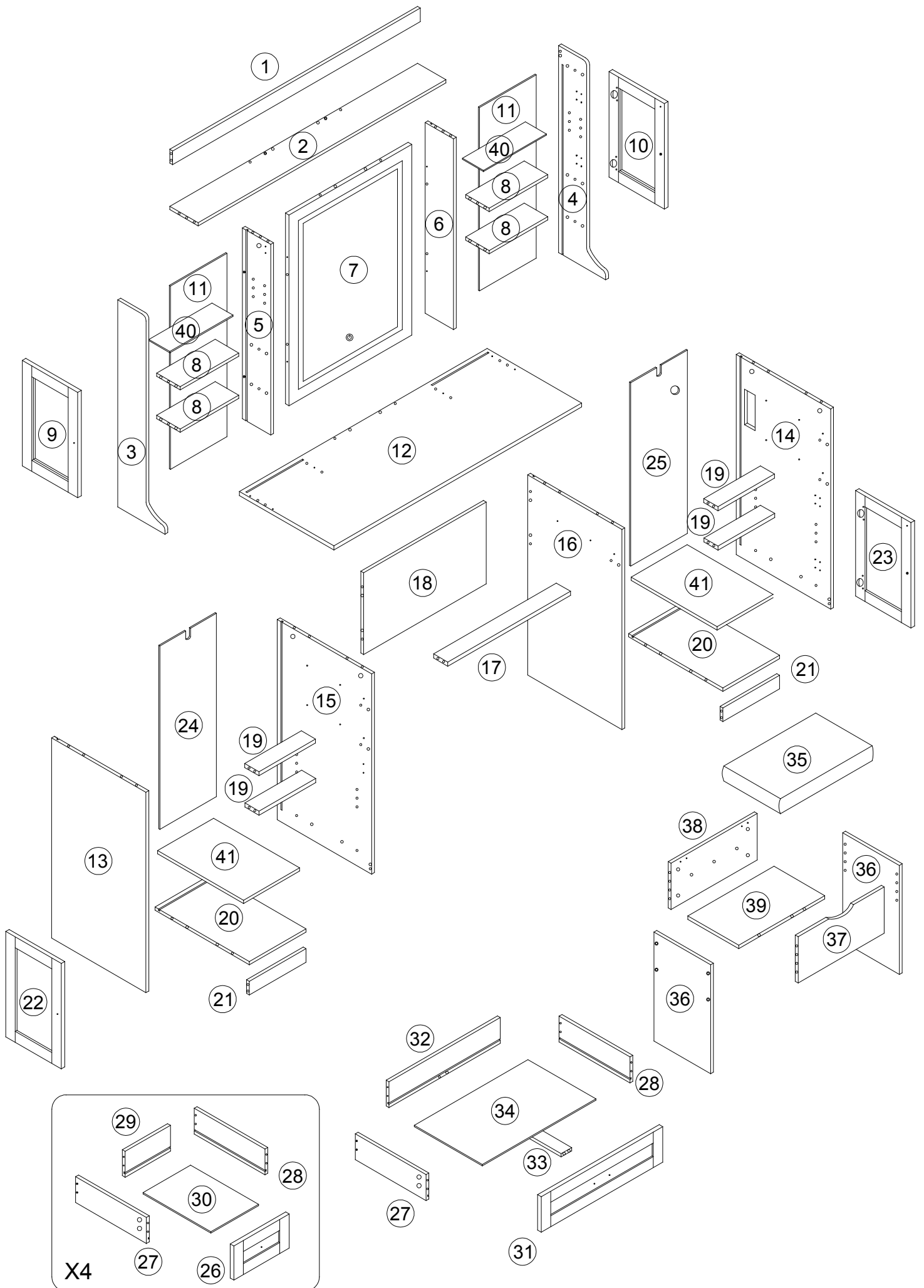
## Care & Maintenance

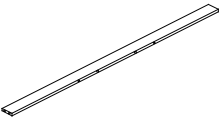
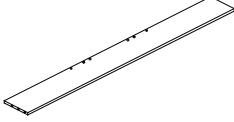
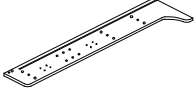
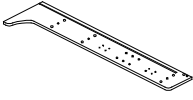
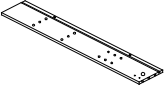
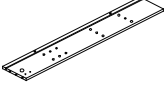
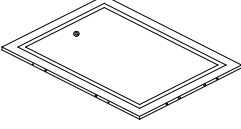

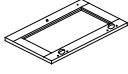
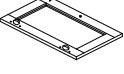
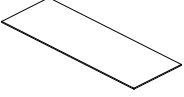
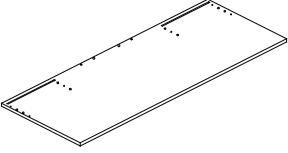
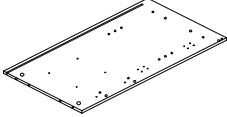
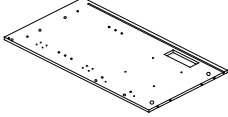
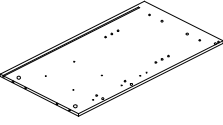

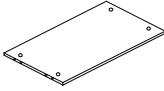

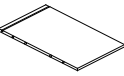
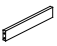
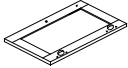
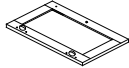
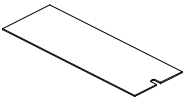
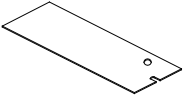




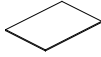
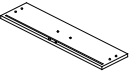


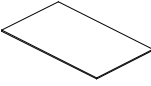
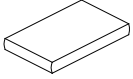
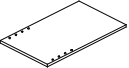
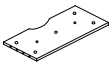
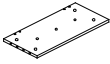
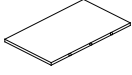
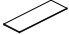
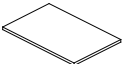
- 

● Do not put hot items directly on furniture surface
- 

● Do not clean furniture with harsh cleansers or polish
- 

● Do not place furniture under direct sunlight
- 

● Do not place furniture near heating or cooling vents
- 

● Do not write on furniture without a padded barrier to protect the surface
- 

● Do not place furniture outside. For indoor use only
- 

● Not for commercial use. For residential use only
- 

● Stains may be removed with mild soap solution and damp cloth
- 

● Children should not climb or jump on the furniture
- 

● Dust and pick-up spills using a clean, non-colored, lint-free cloth

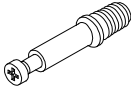
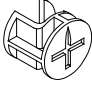
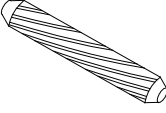
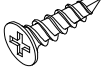

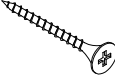
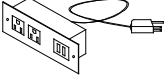
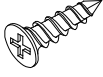
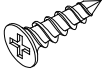
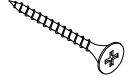
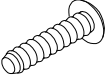
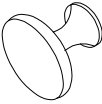
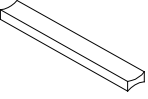
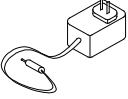

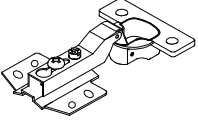
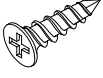
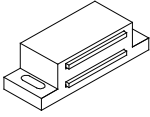
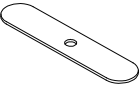
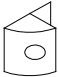

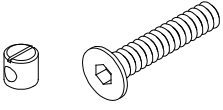
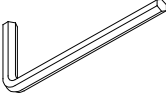
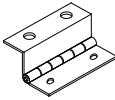
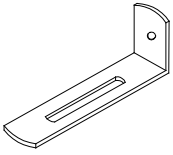

**Caution**

- This product contains small components. Please ensure that they are kept away from small children.
- Do not use power tools to assemble your furniture. Power tools may strip or damage the parts.

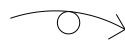
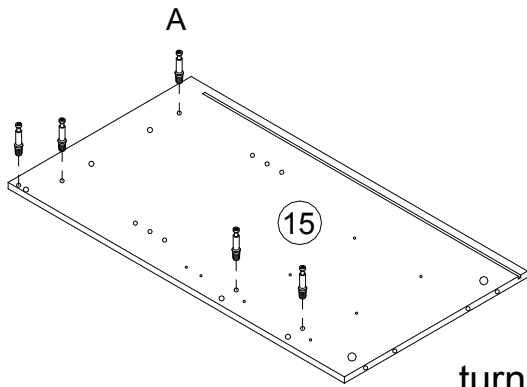
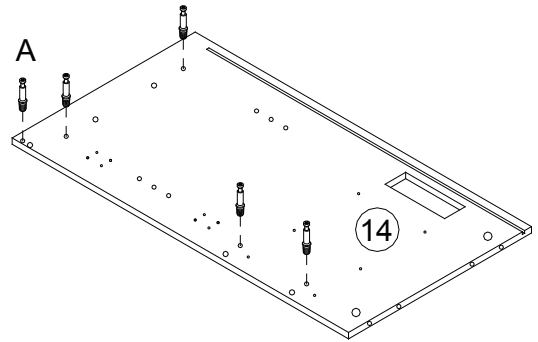
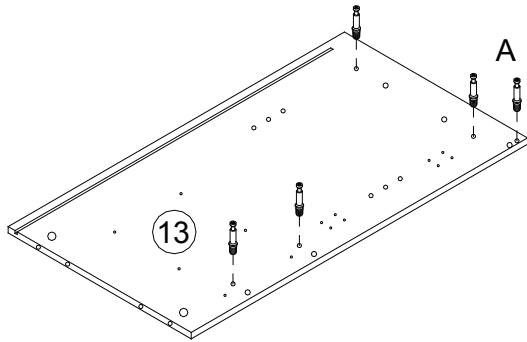




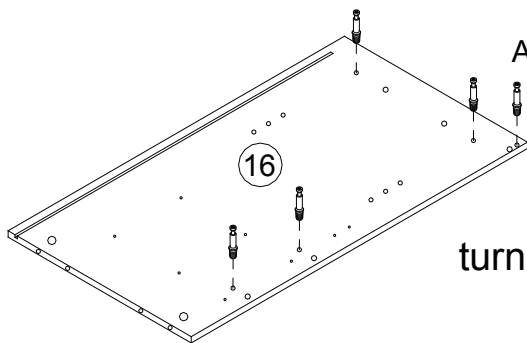
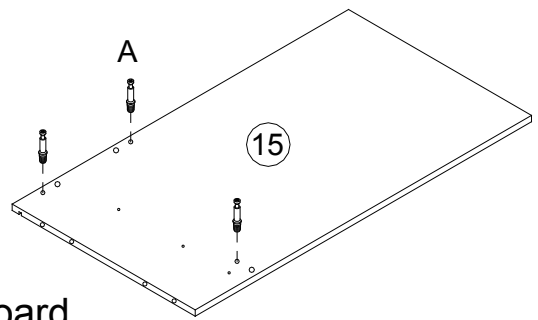
				
① x1PC	② x1PC	③ x1PC	④ x1PC	⑤ x1PC
				
⑥ x1PC	⑦ x1PC	⑧ x4PCS	⑨ x1PC	⑩ x1PC
				
⑪ x2PCS	⑫ x1PC	⑬ x1PC	⑭ x1PC	⑮ x1PC
				
⑯ x1PC	⑰ x1PC	⑱ x1PC	⑲ x4PCS	⑳ x2PCS
				
㉑ x2PCS	㉒ x1PC	㉓ x1PC	㉔ x1PC	㉕ x1PC
				
㉖ x4PCS	㉗ x5PCS	㉘ x5PCS	㉙ x4PCS	㉚ x4PCS
				
⑳ x1PC	㉛ x1PC	㉜ x1PC	㉝ x1PC	㉞ x1PC
				
㉟ x2PCS	㊱ x1PC	㊲ x1PC	㊳ x1PC	㊴ x2PCS
				
㊵ x2PCS				

				
6*35mm	15*10mm	6*30mm	3*12mm	300mm
Ax76PCS	Bx76PCS	Cx90PCS	Dx62PCS	Ex5PCS
				
4*40mm		3*12mm	4*12mm	4*30mm
Fx16PCS	Gx1PC	Hx2PCS	Ix50PCS	Jx20PCS
				
4*12mm				
Kx10PCS	Lx8PCS	Mx1PC	Nx1PC	Ox4PCS
				
	3*14mm			
Px8PCS	Qx24PCS	Rx4PCS	Sx4PCS	Tx16PCS
				
	6*40mm			
Ux16PCS	Vx8PCS	Wx1PC	Xx2PCS	Yx2PCS
				
Zx2PCS				

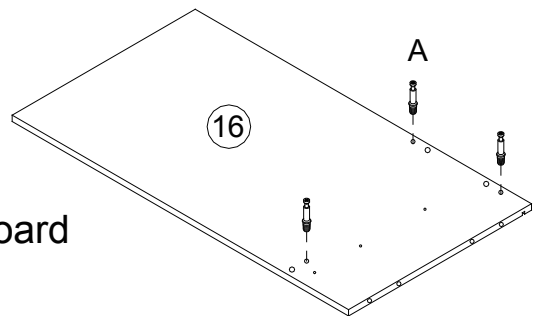
# STEP 1




turn over the board

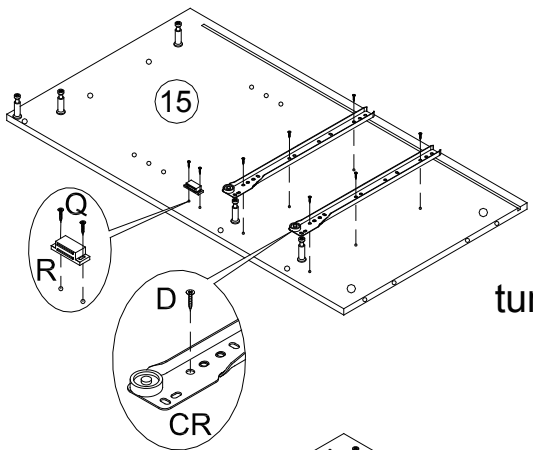
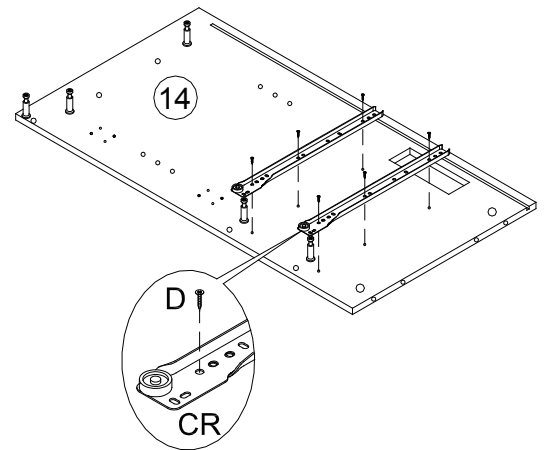
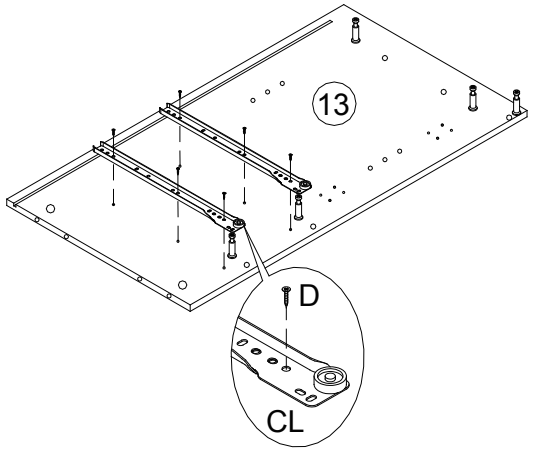
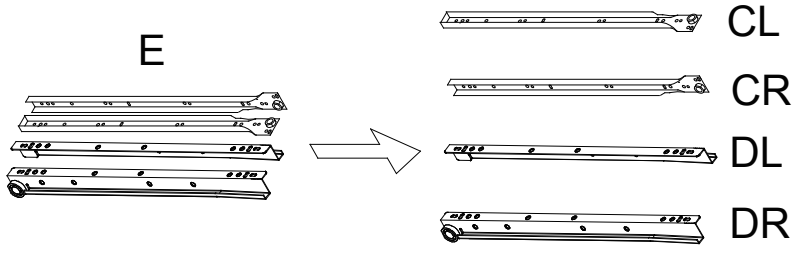


turn over the board

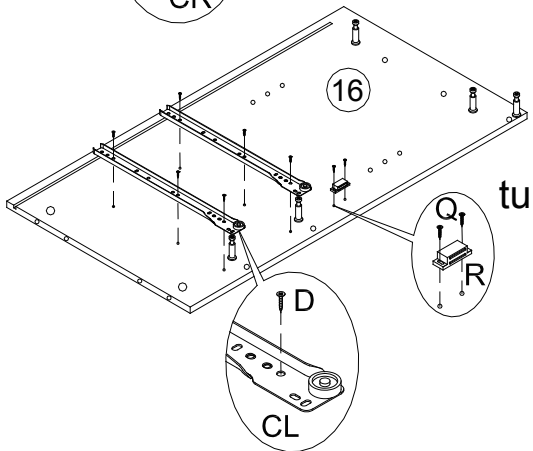
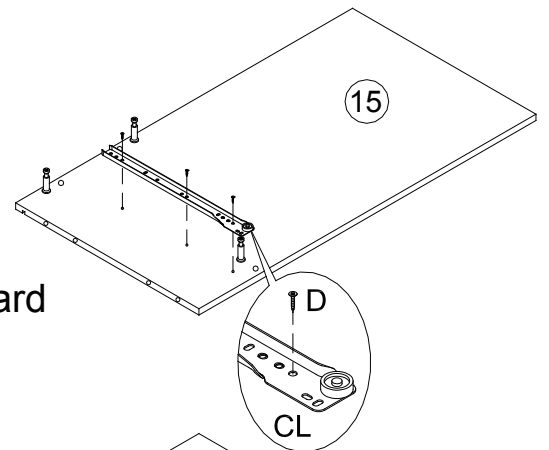


A  26 pcs

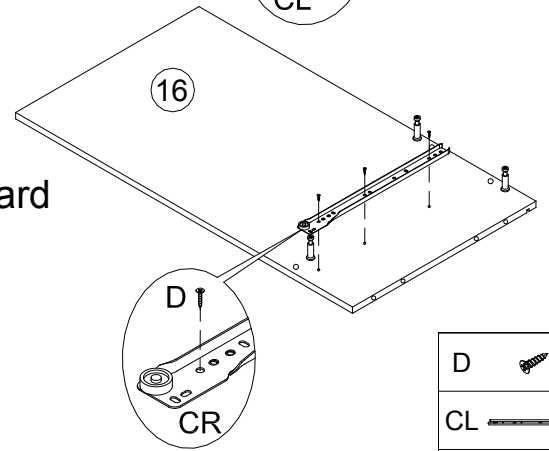
# STEP 2



turn over the board

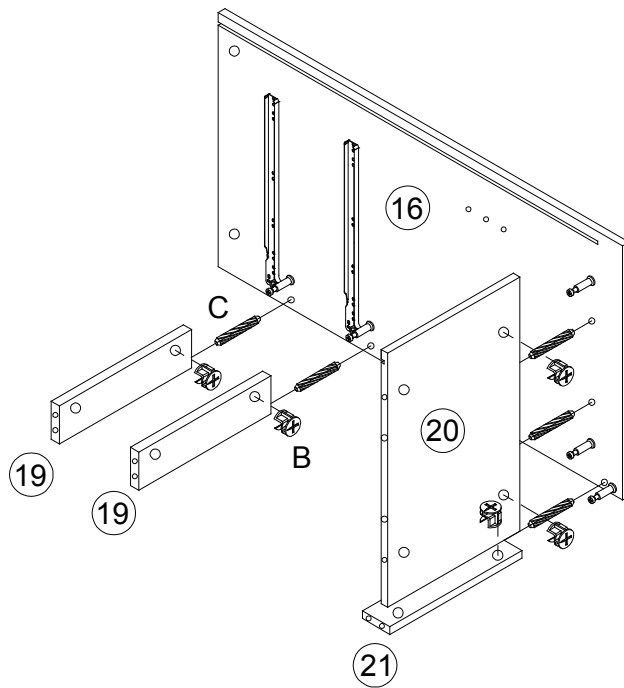
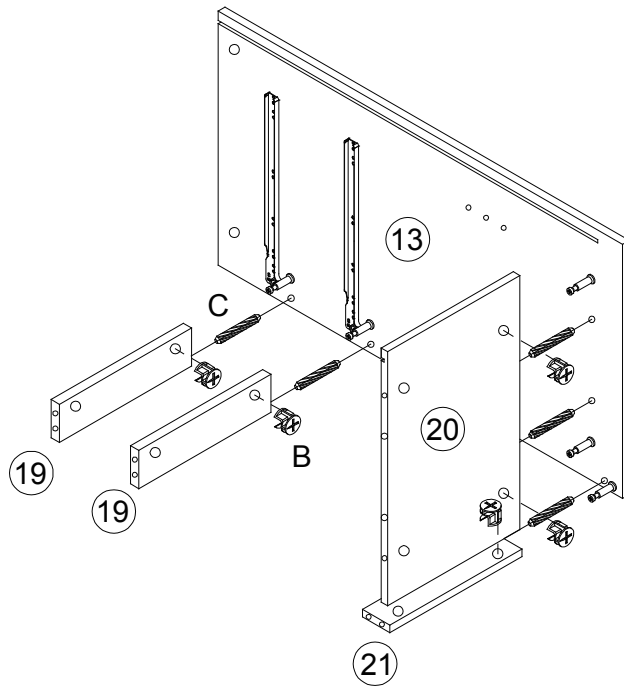




turn over the board



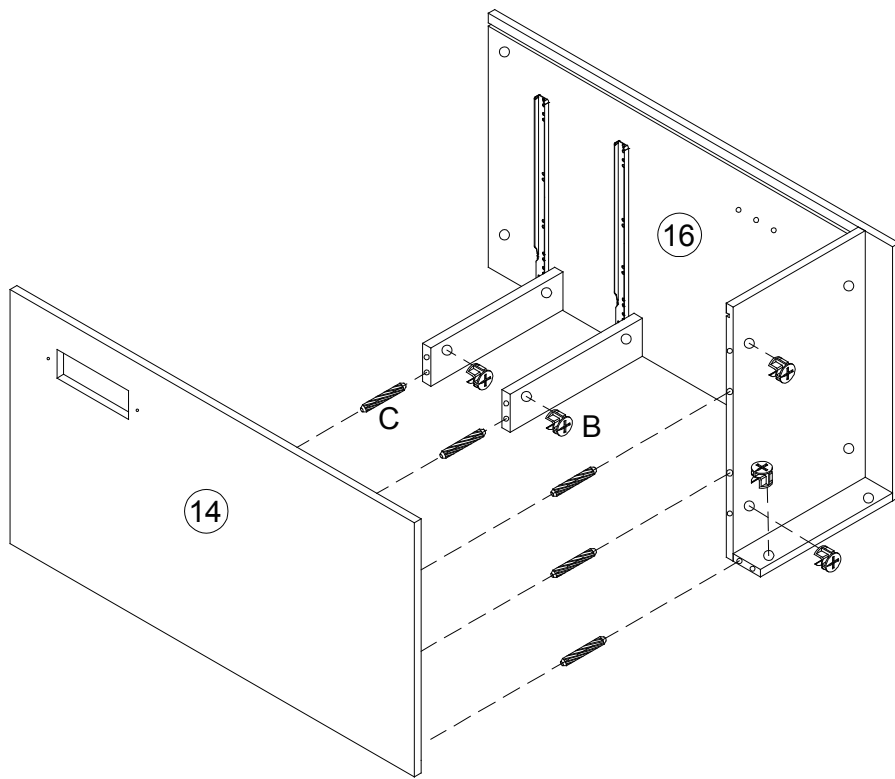
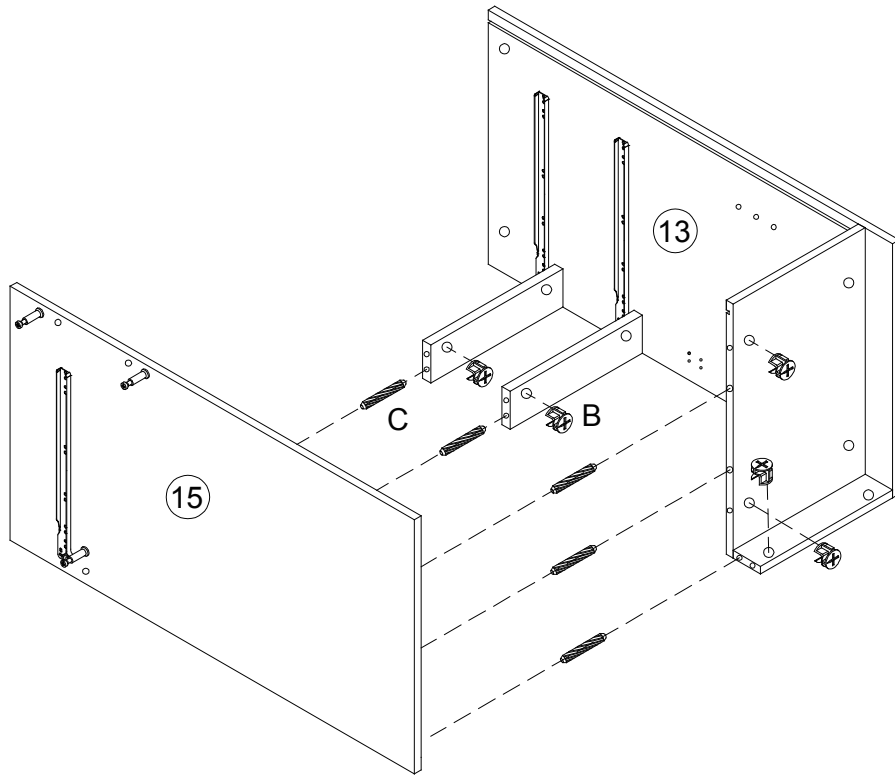
D		30 pcs
CL		5 pcs
CR		5 pcs
Q		4 pcs
R		2 pcs



# STEP 3



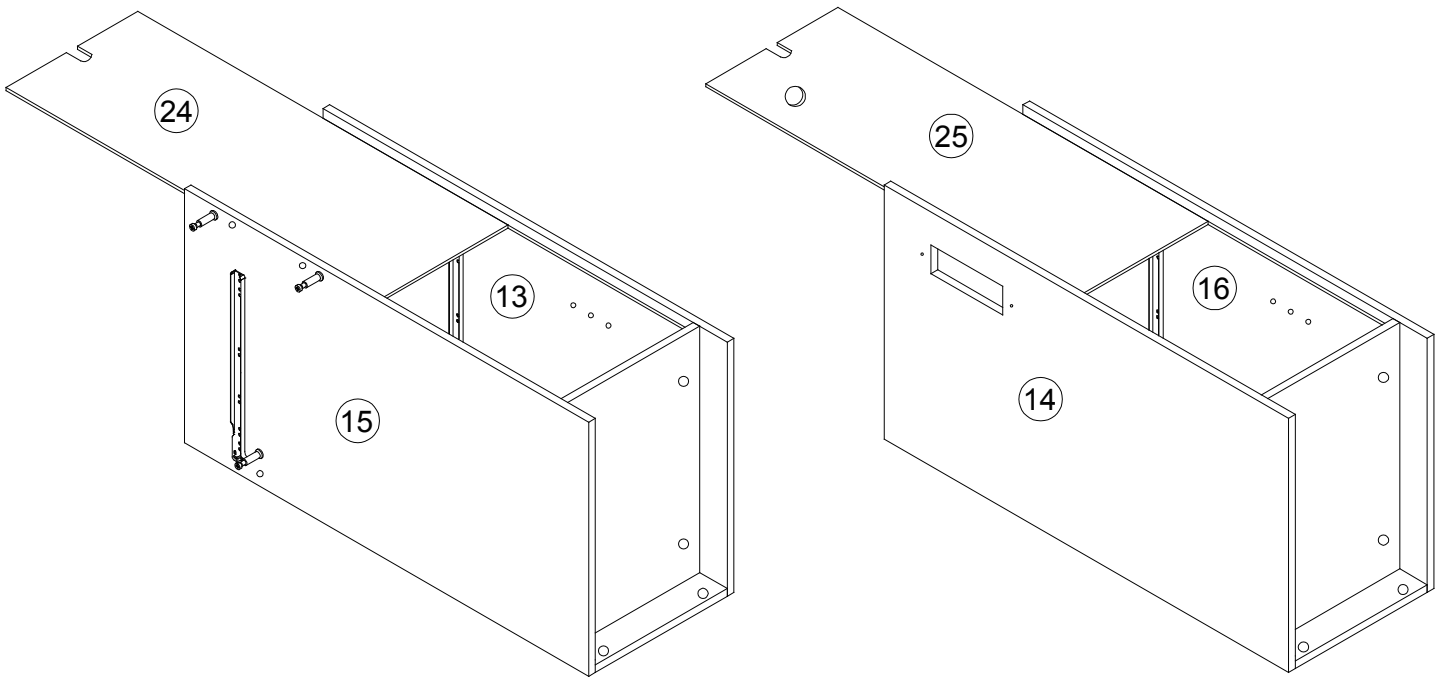
B		10 pcs
C		10 pcs

# STEP 4

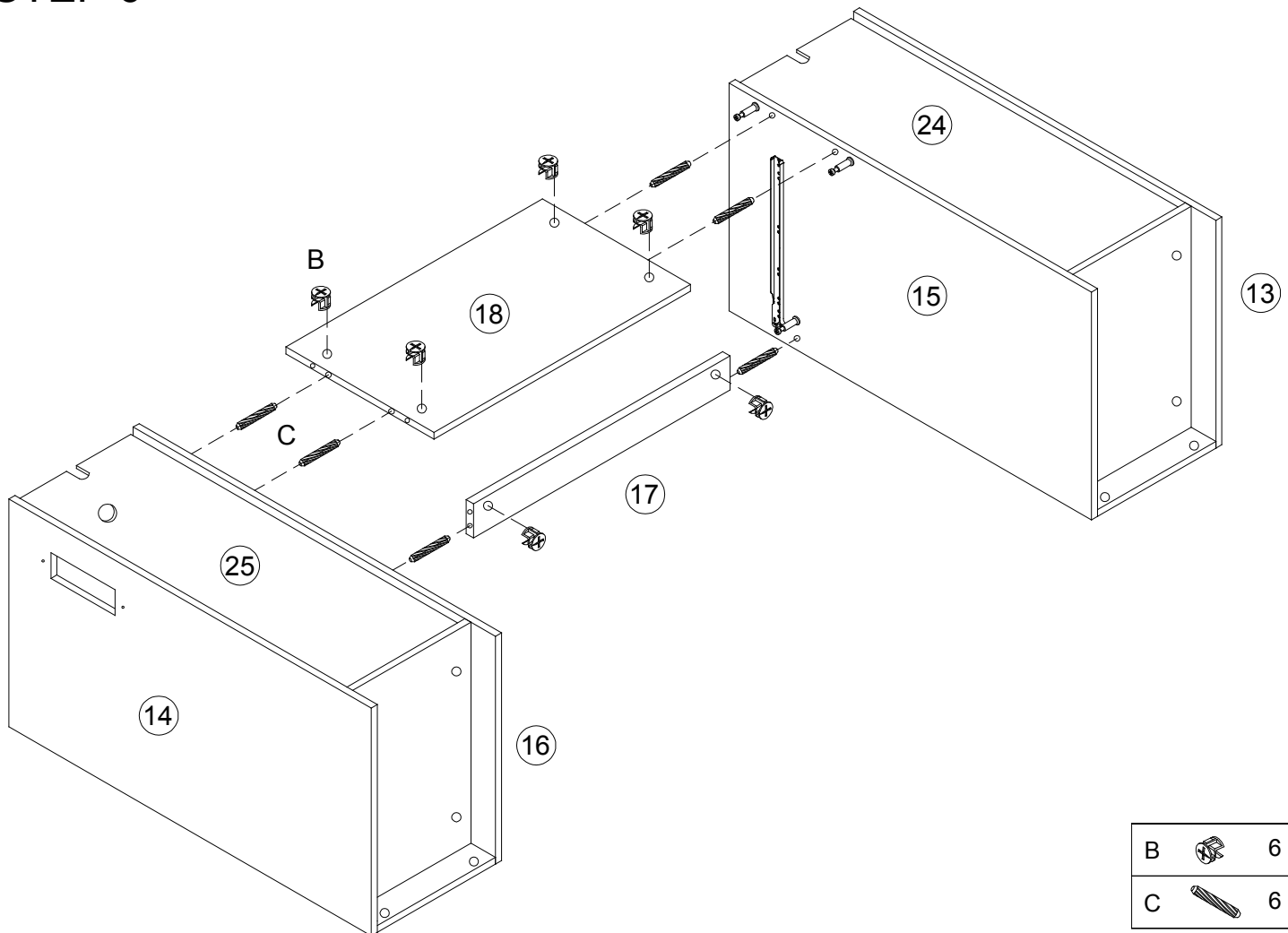


B		10 pcs
C		10 pcs

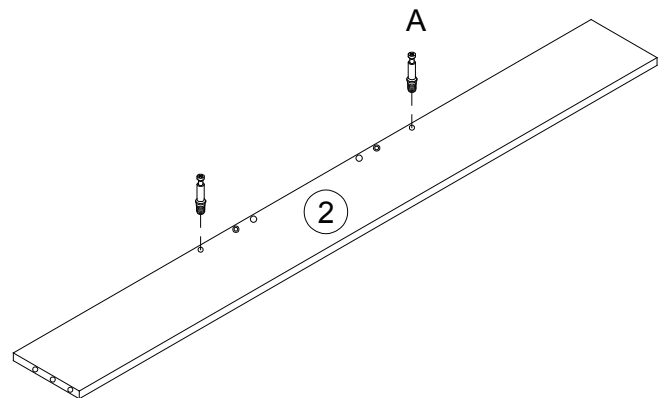
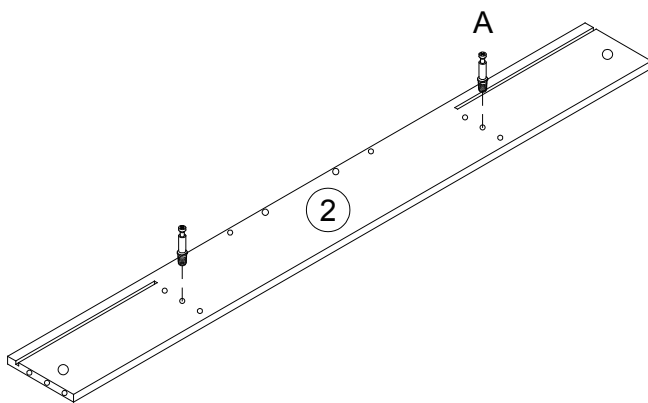
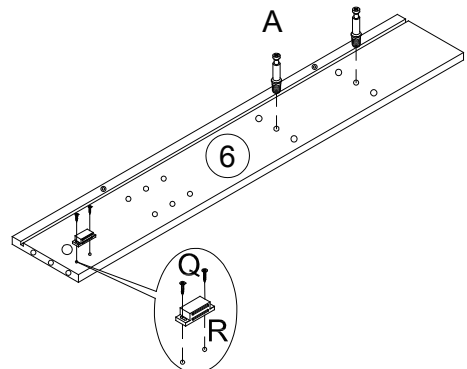
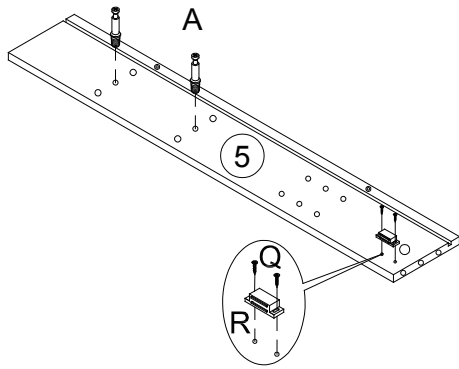
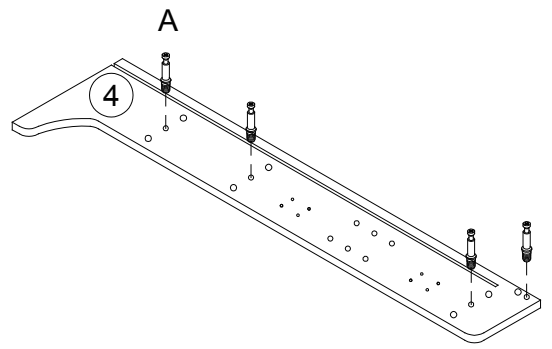
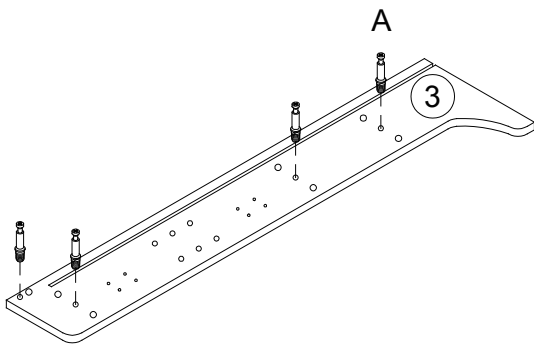
# STEP 5






# STEP 6

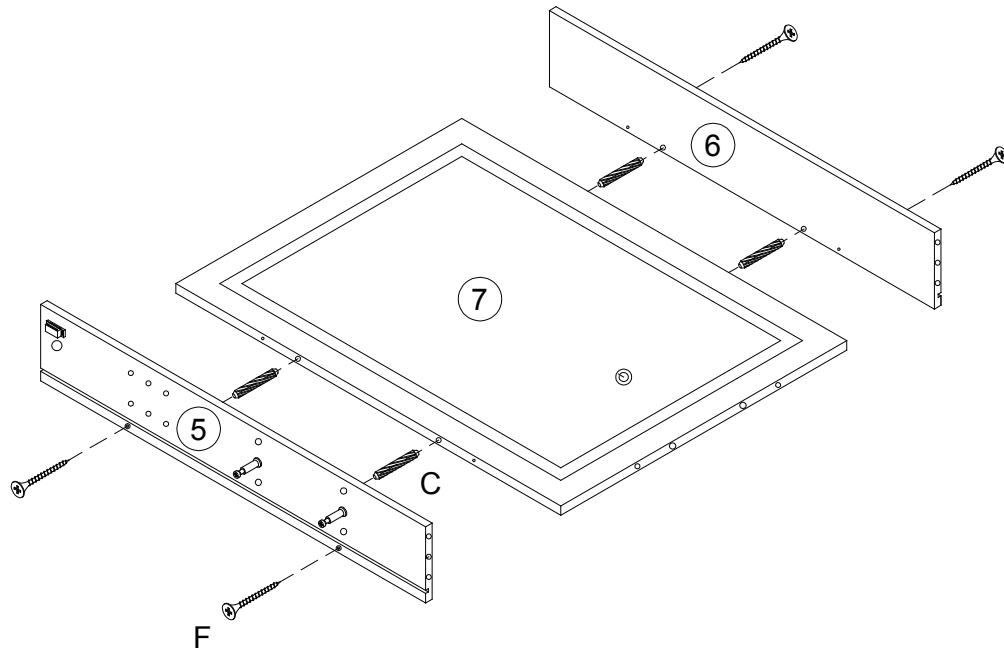




# STEP 7



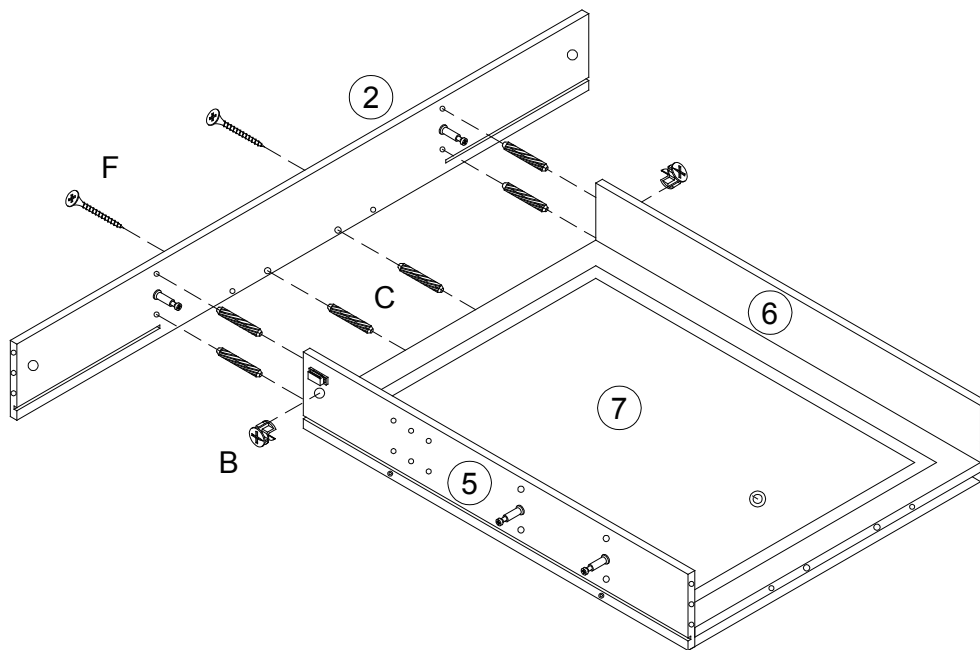
A		16 pcs
Q		4 pcs
R		2 pcs




# STEP 8



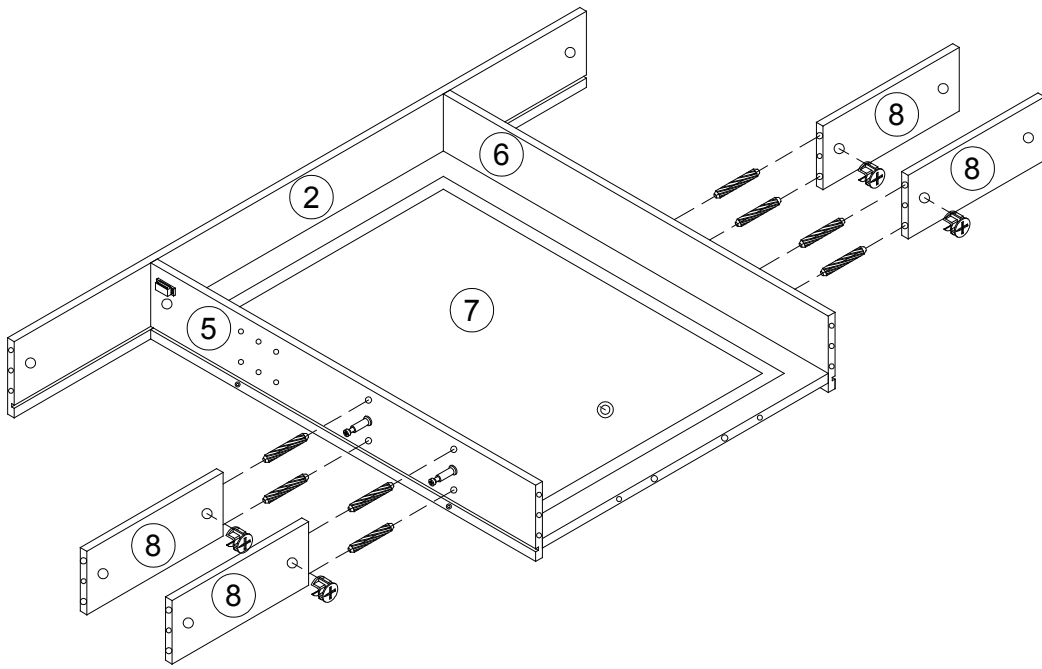
C		4 pcs
F		4 pcs



# STEP 9



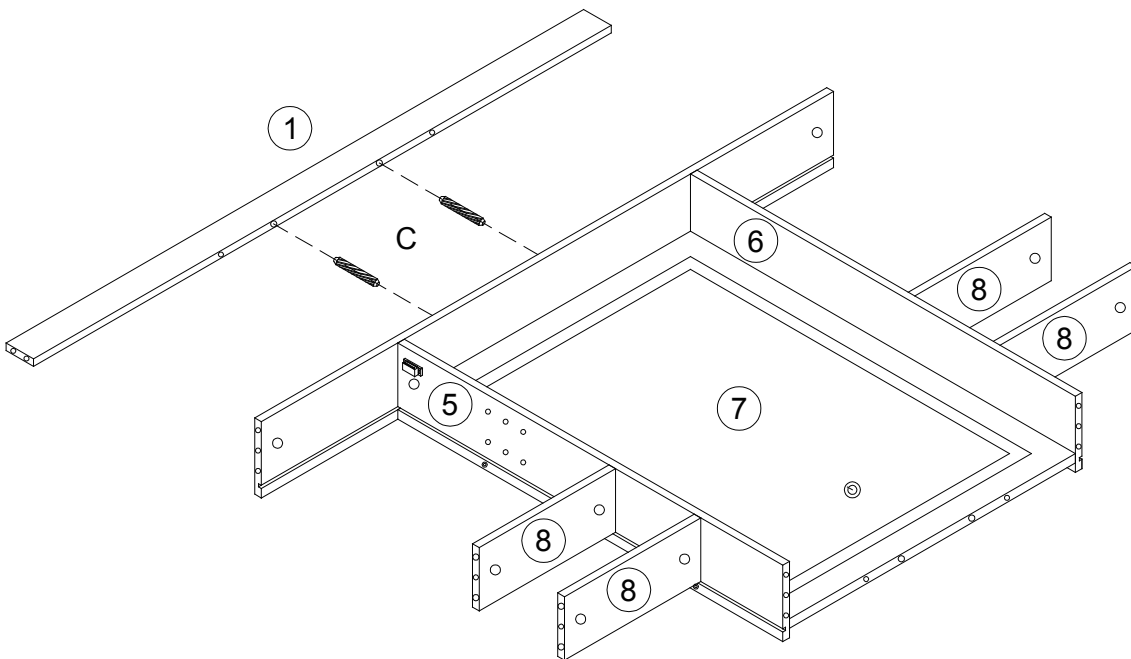
B		2 pcs
C		6 pcs
F		2 pcs

# STEP 10



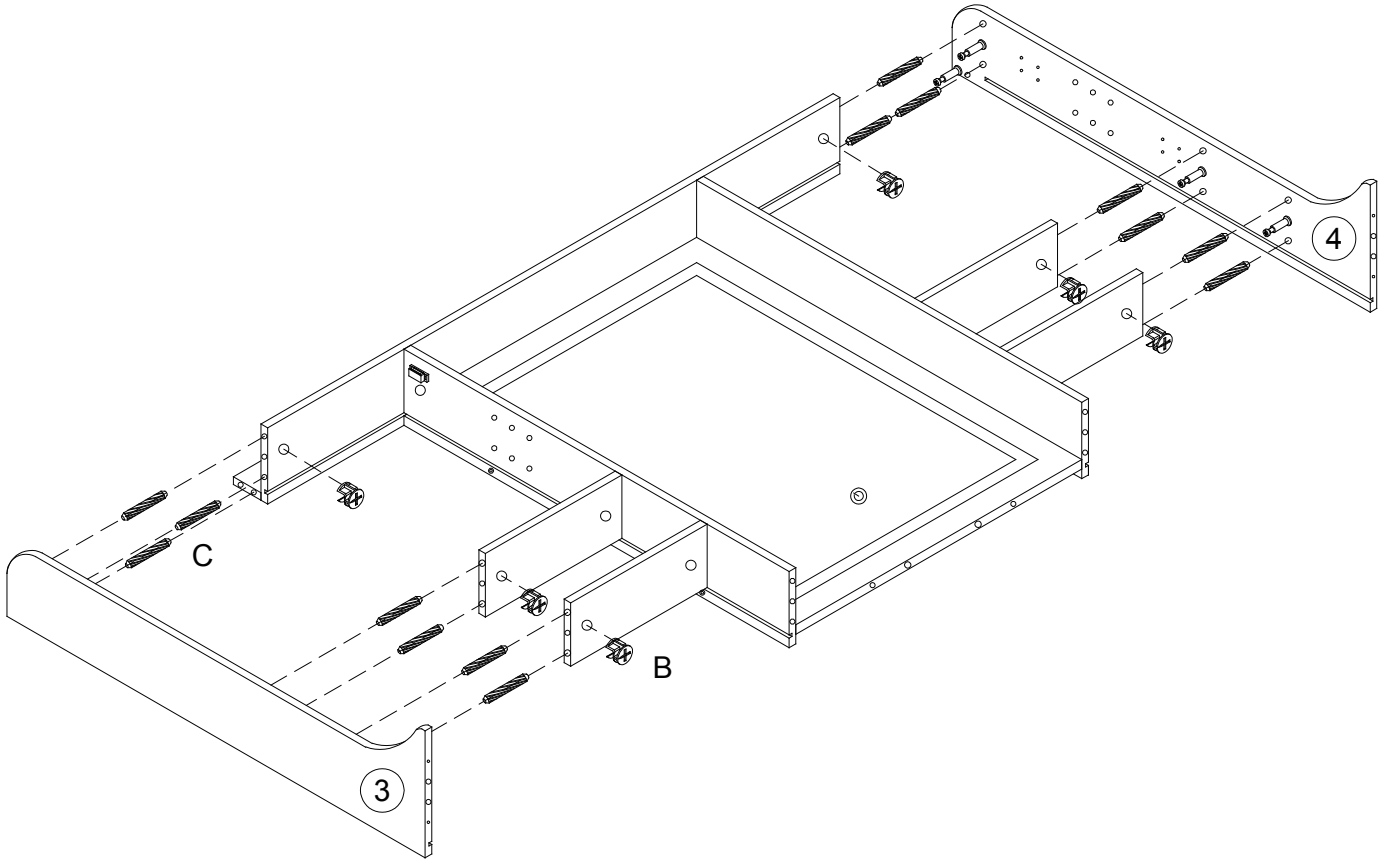
B		4 pcs
C		8 pcs



# STEP 11



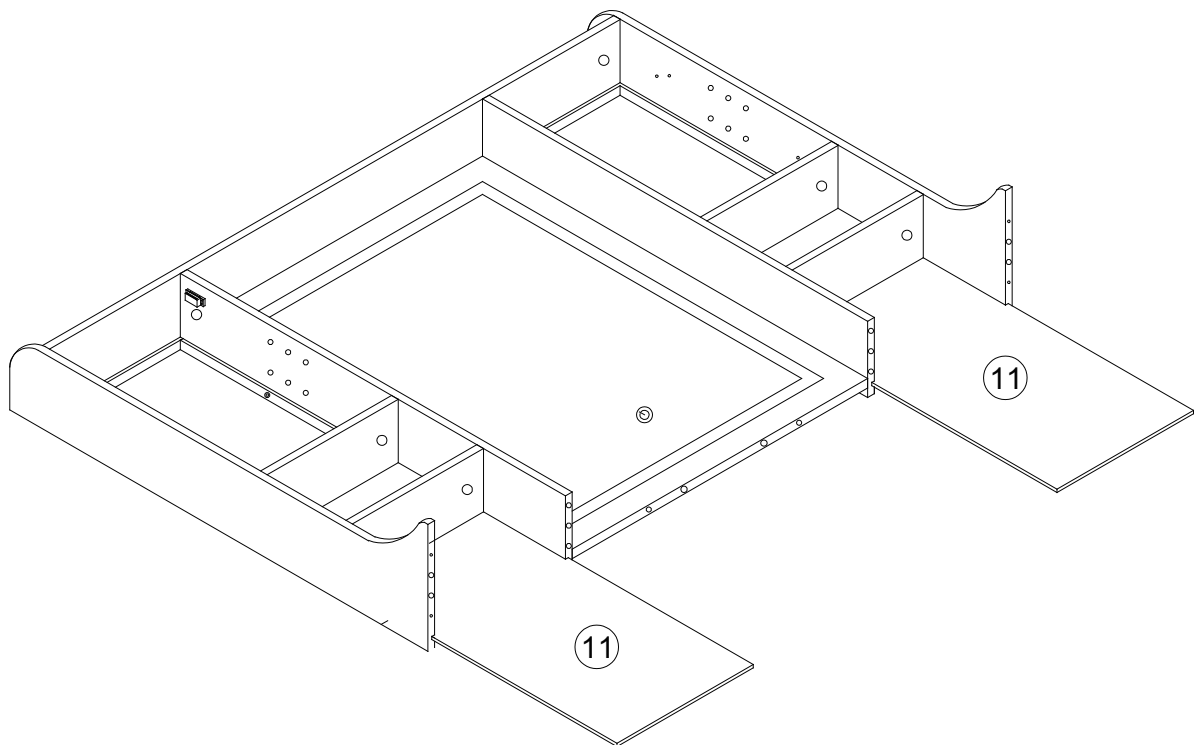
C		2 pcs
---	---	-------

# STEP 12

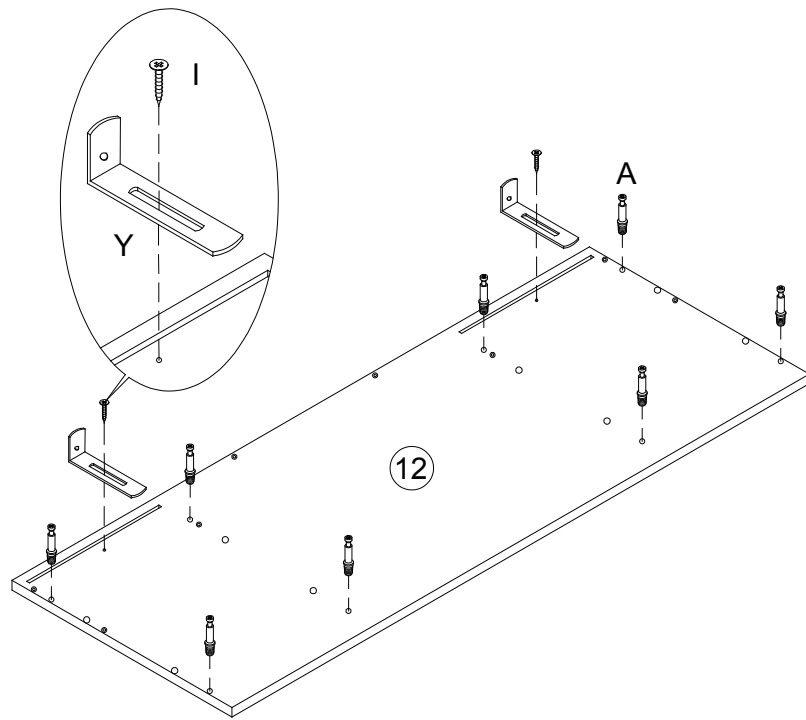





B		6 pcs
C		14 pcs

# STEP 13

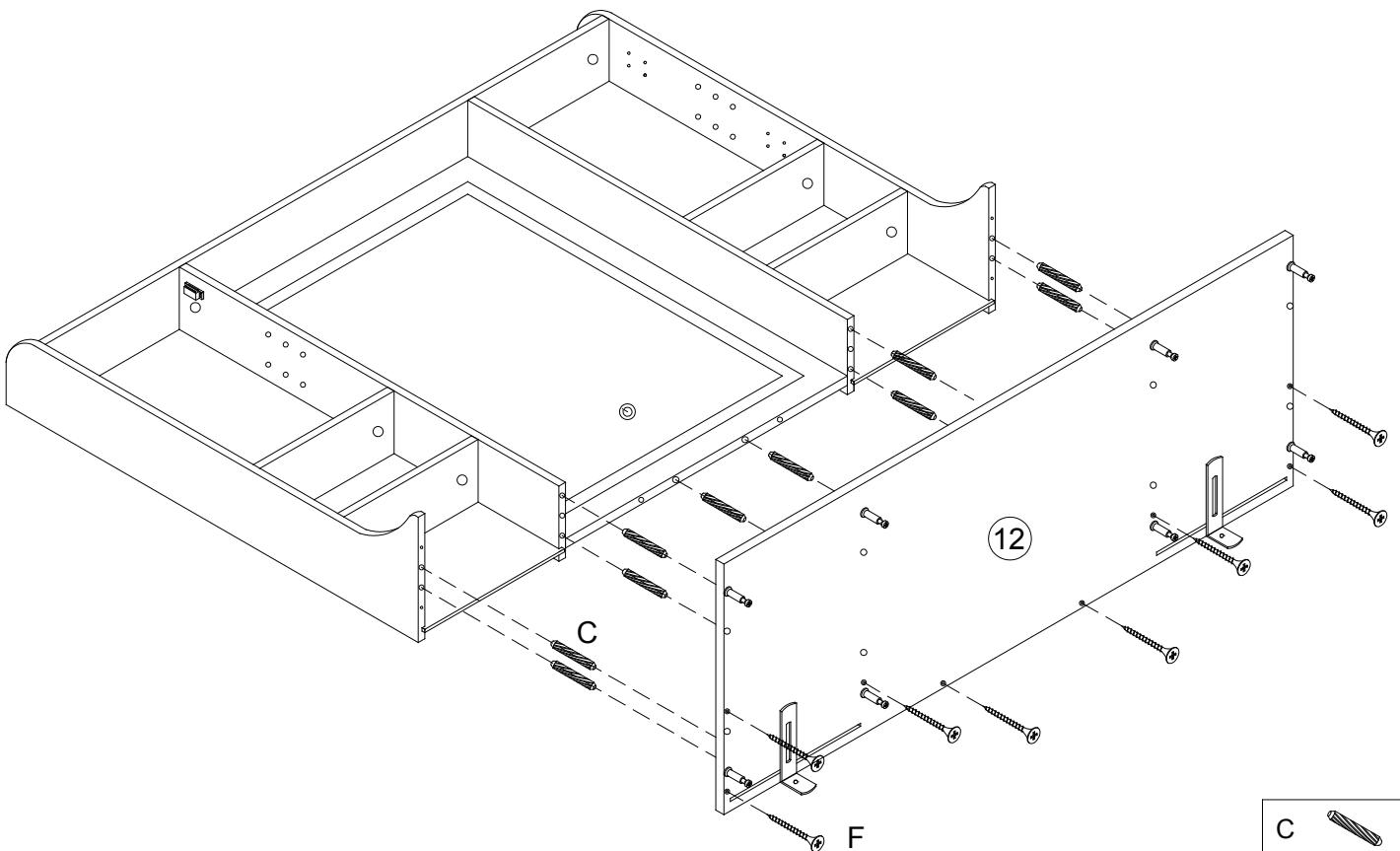




# STEP 14



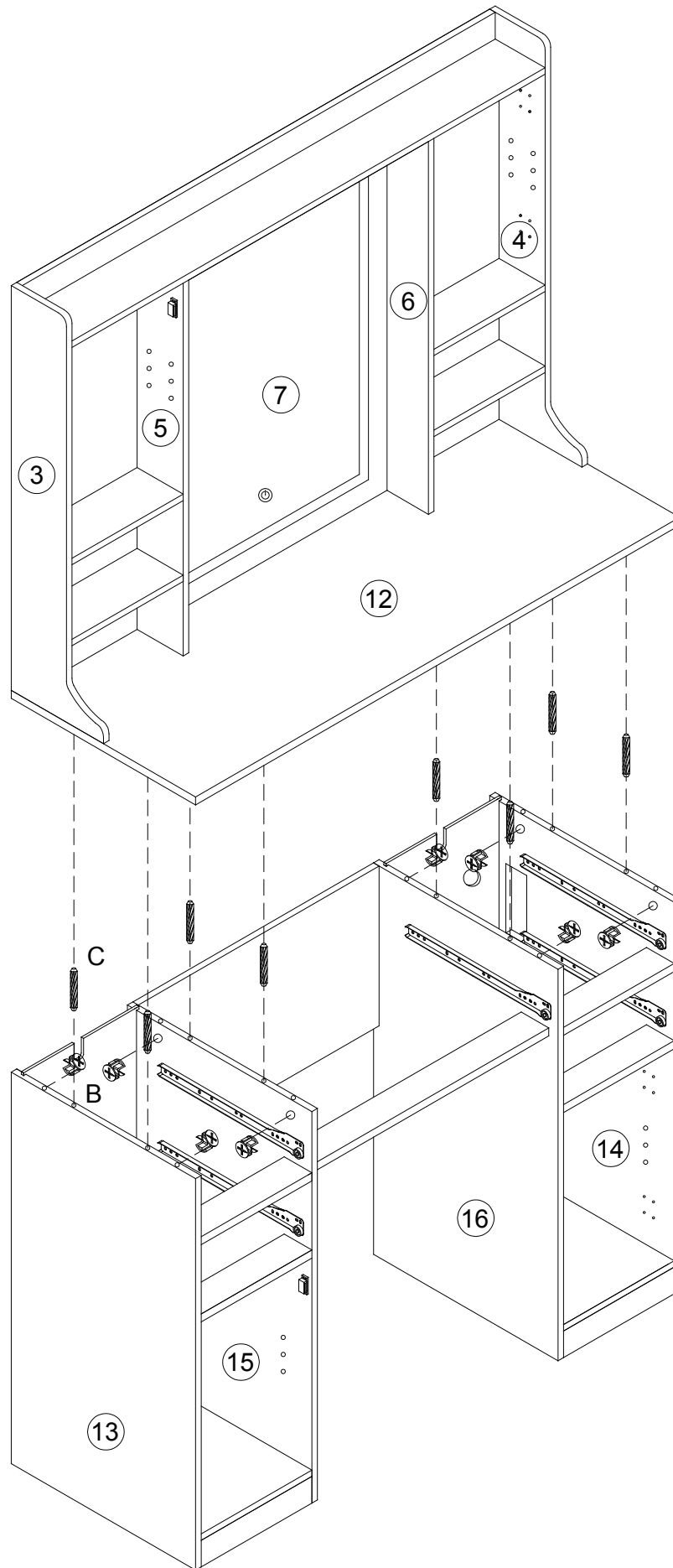
A		8 pcs
I		2 pcs
Y		2 pcs



# STEP 15



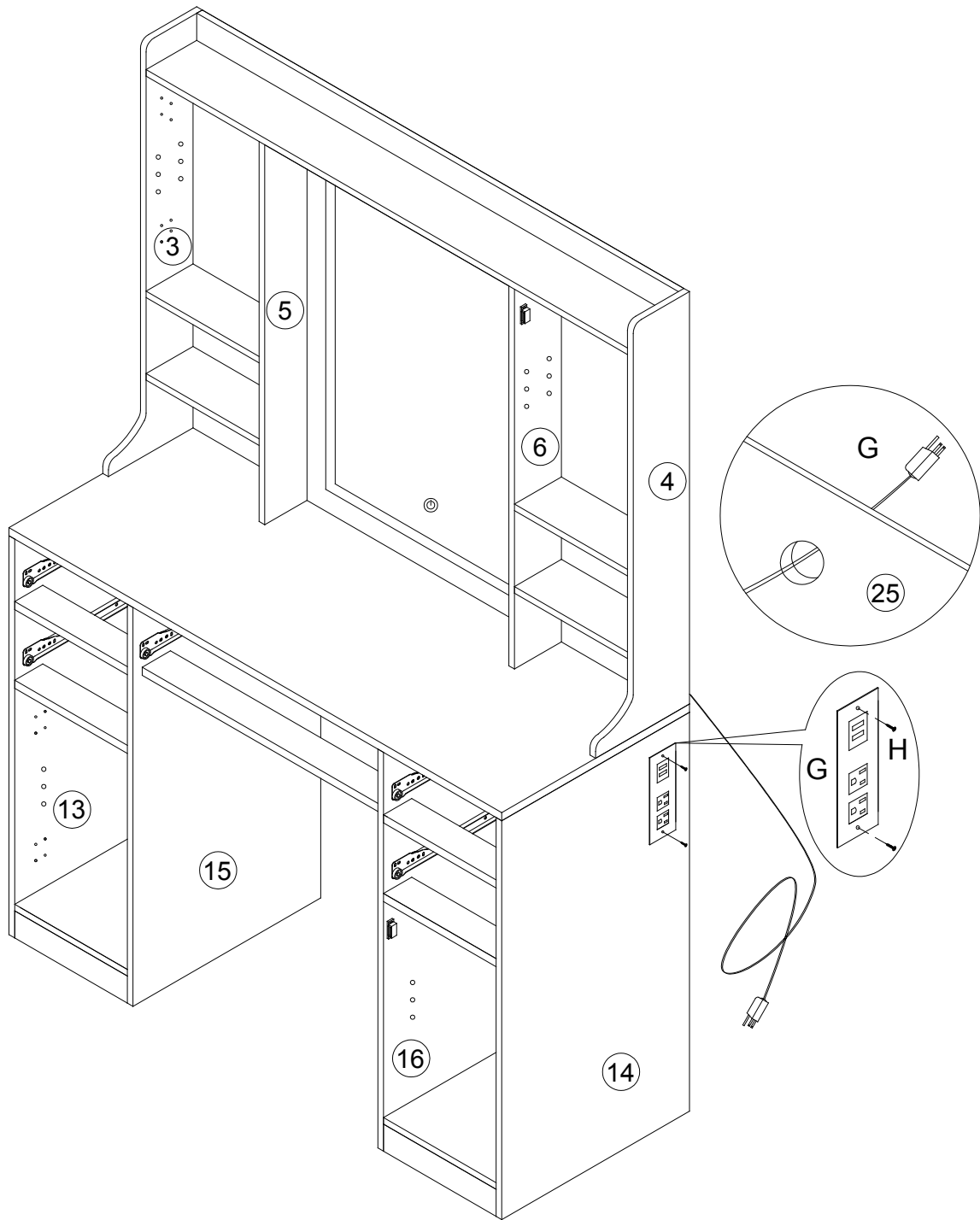
C		10 pcs
F		8 pcs



# STEP 16



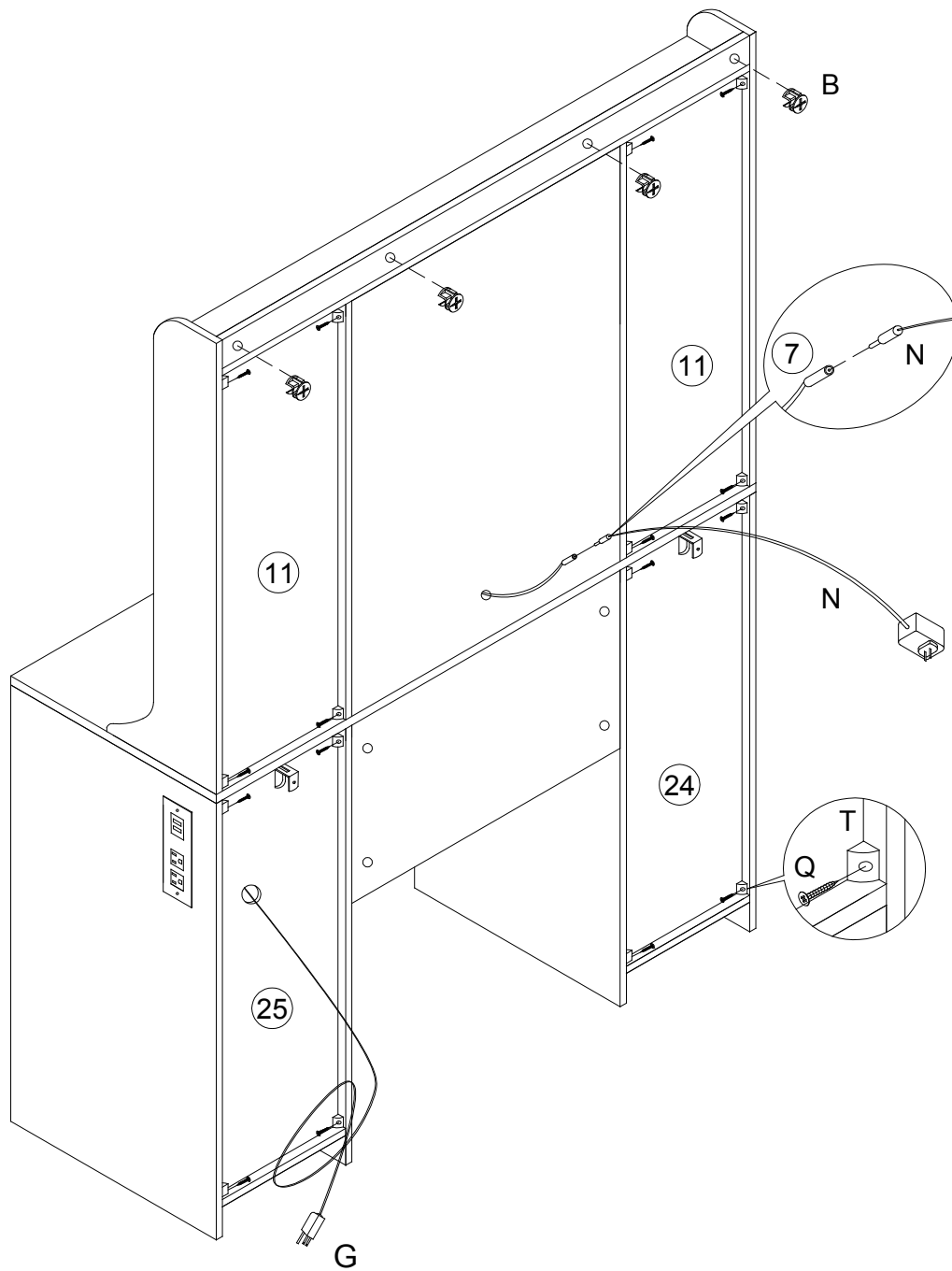
B		8 pcs
C		8 pcs





# STEP 17



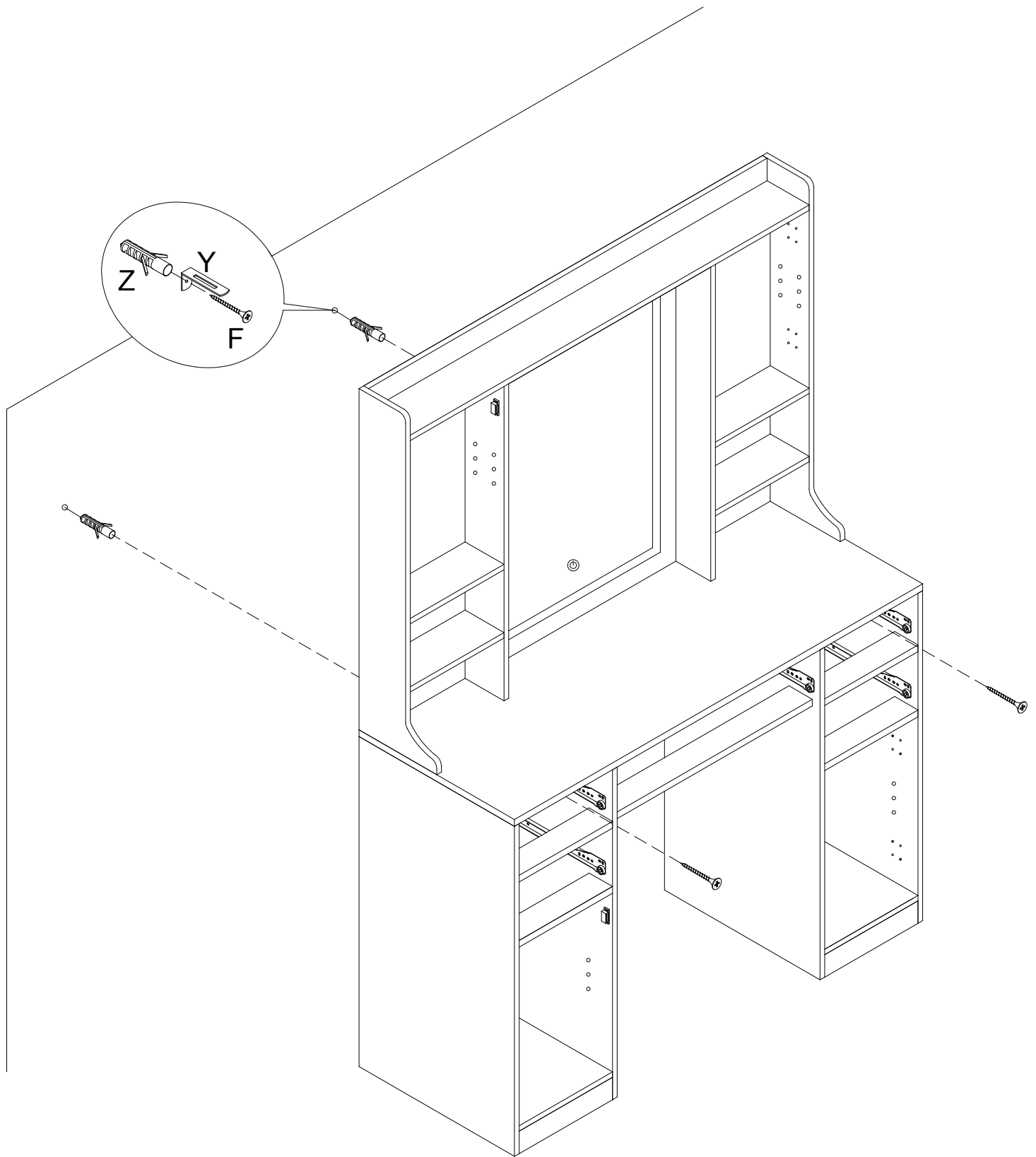
G		1 pc
H		2 pcs



# STEP 18



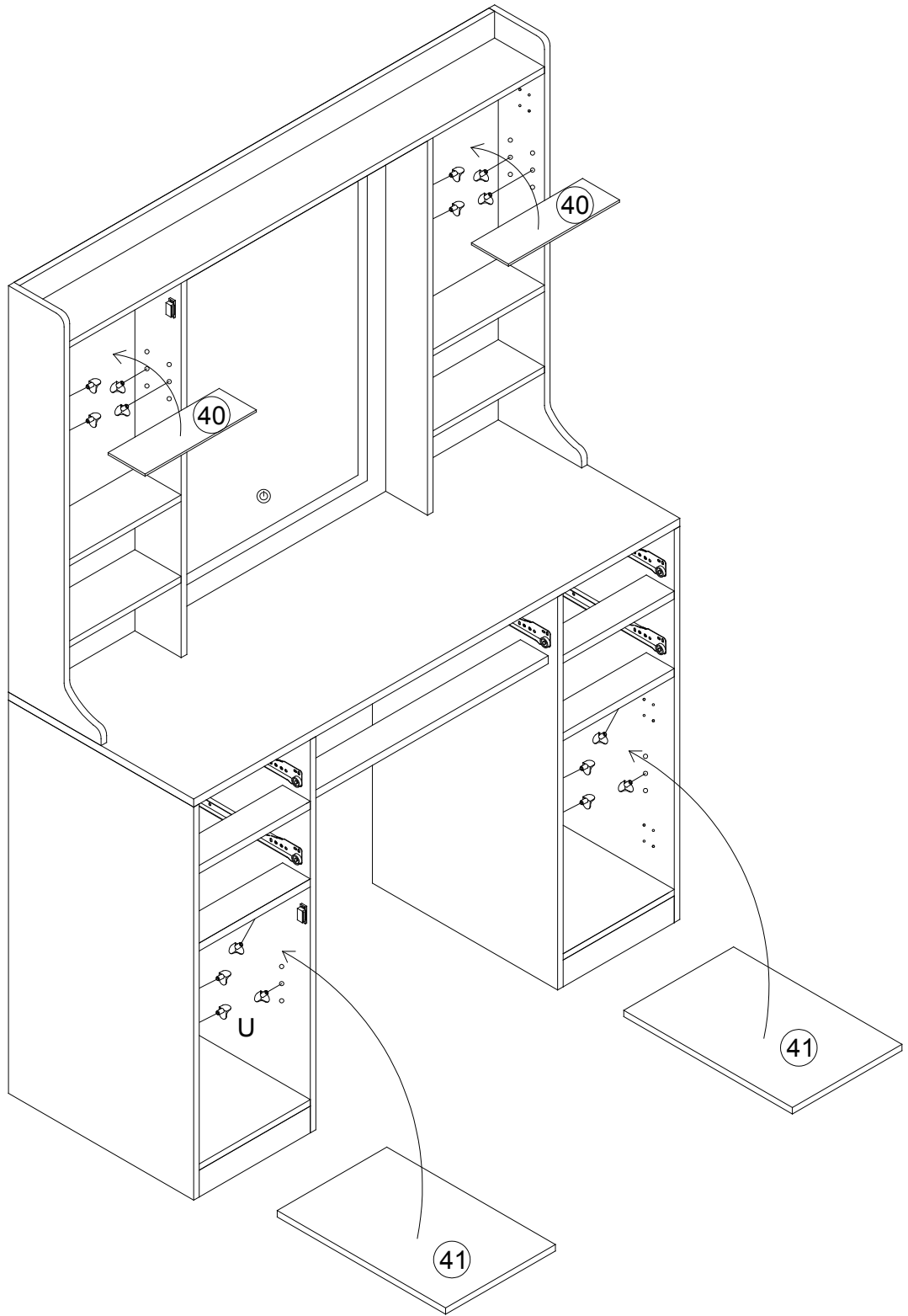
B		4 pcs
N		1 pc
Q		16 pcs
T		16 pcs


# STEP 19



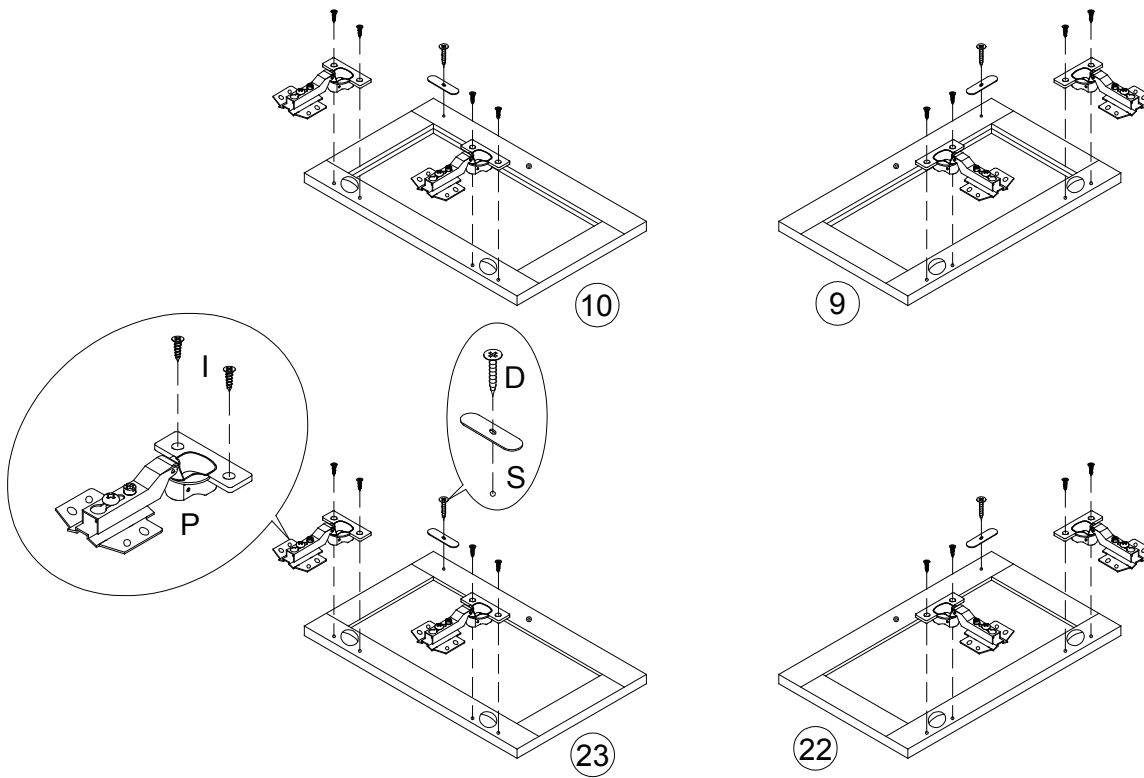
F		2 pcs
Z		2 pcs

# STEP 20



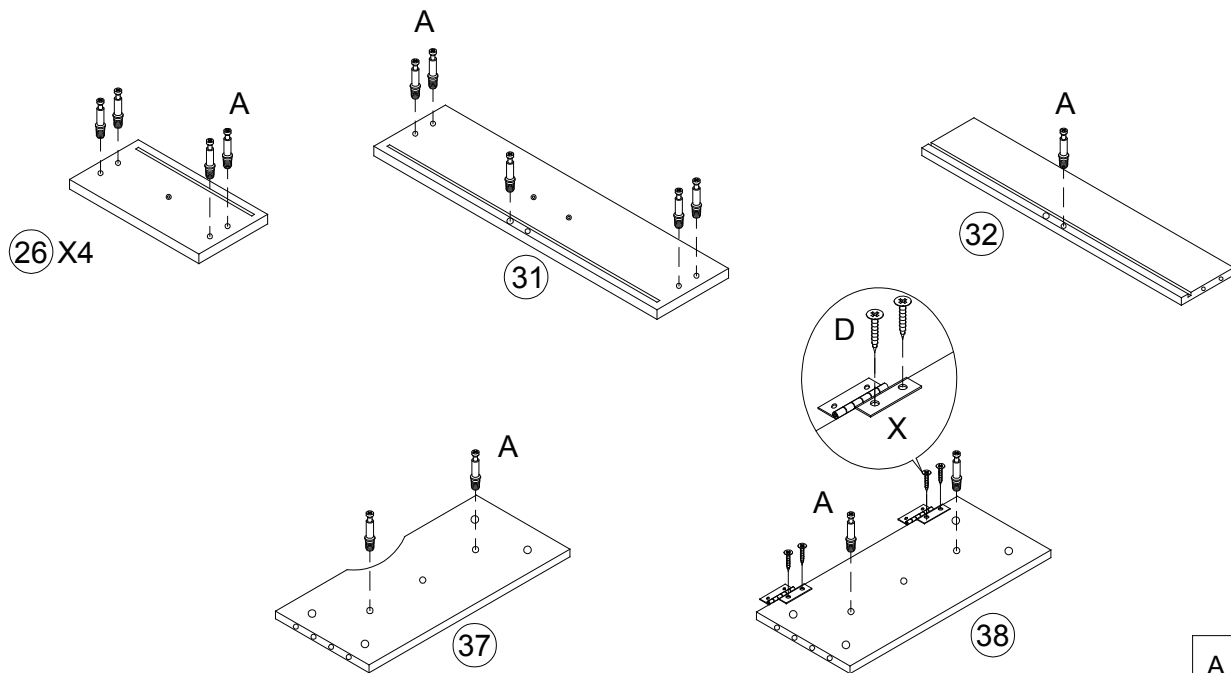
U  16 pcs

# STEP 21



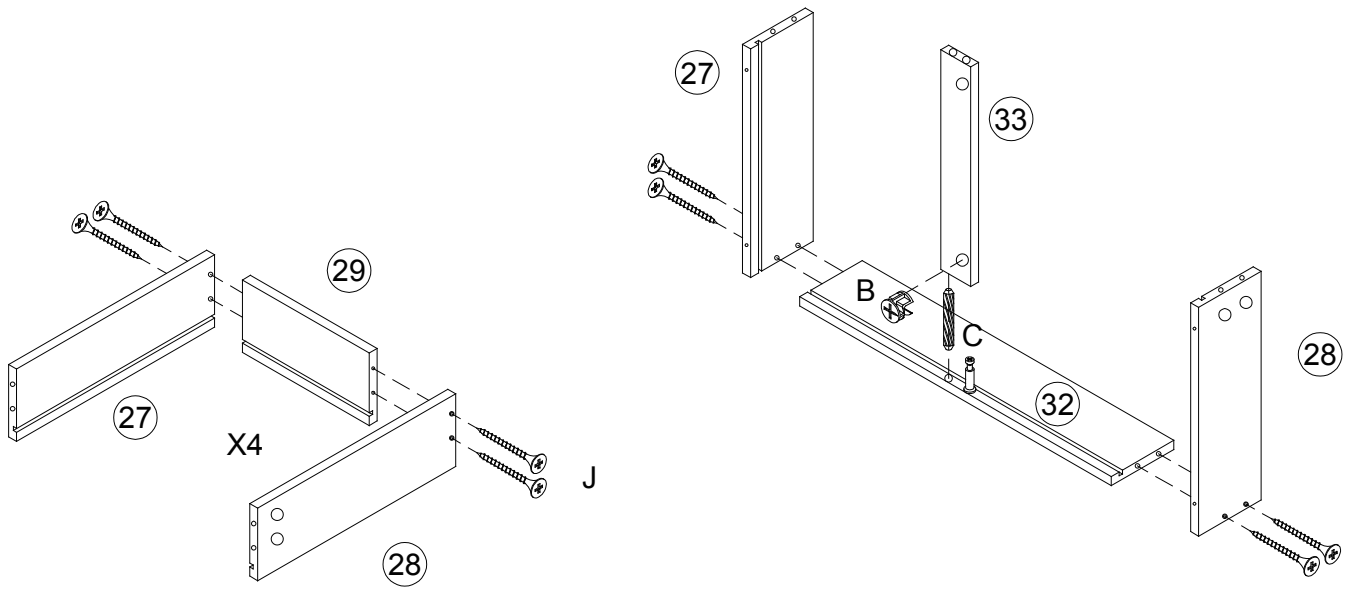
D		4 pcs
I		16 pcs
P		8 pcs
S		4 pcs

# STEP 22



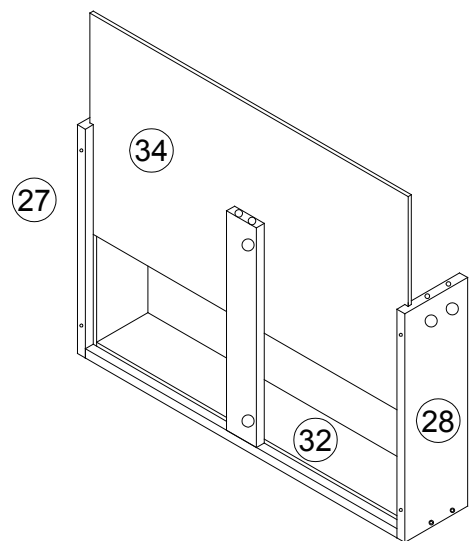
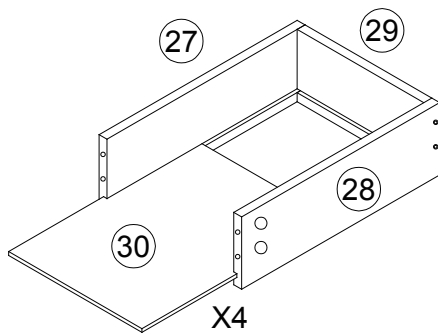
A		26 pcs
D		4 pcs
X		2 pcs

# STEP 23

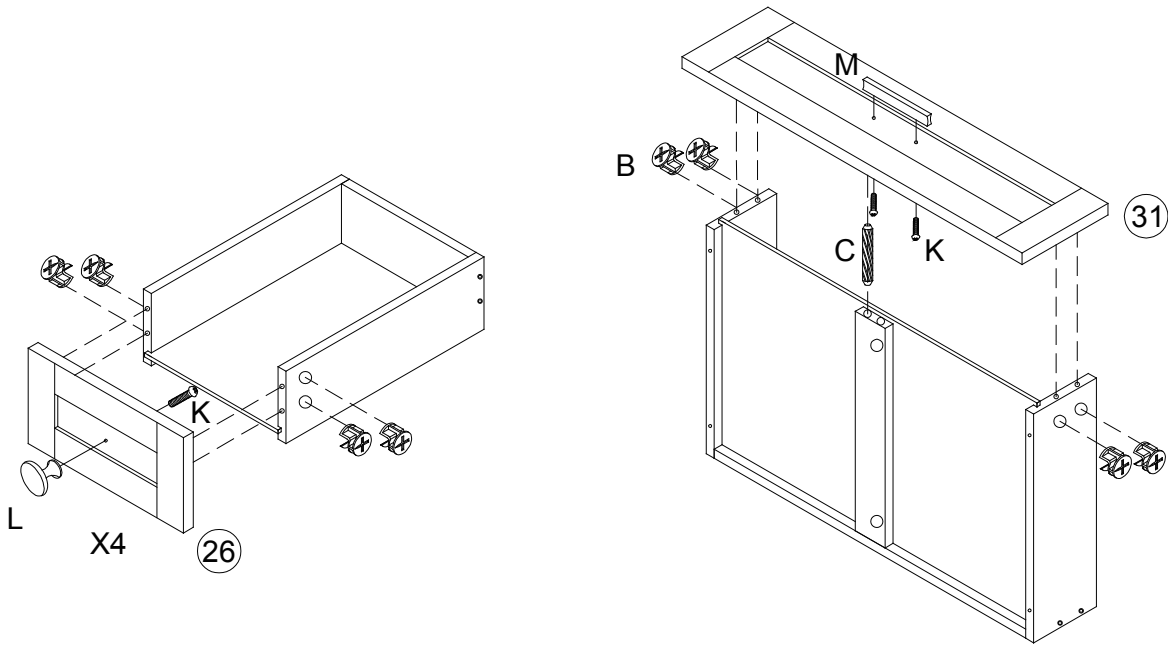


B		1 pc
C		1 pc
J		20 pcs

# STEP 24

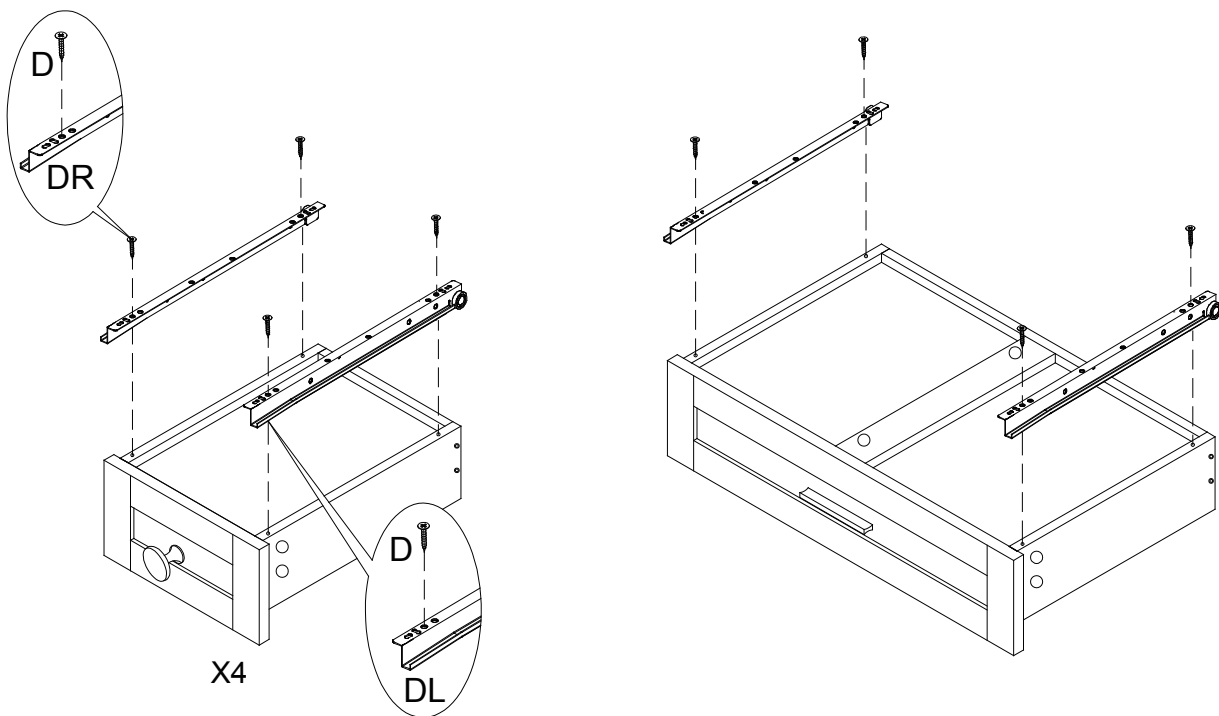
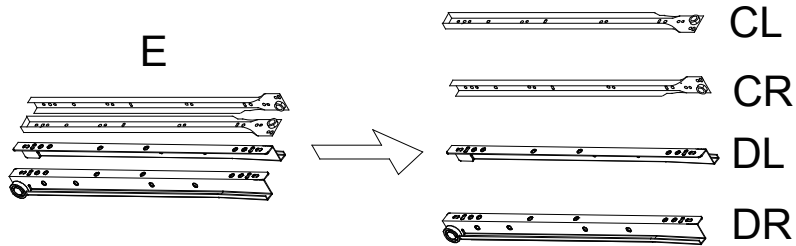


# STEP 25



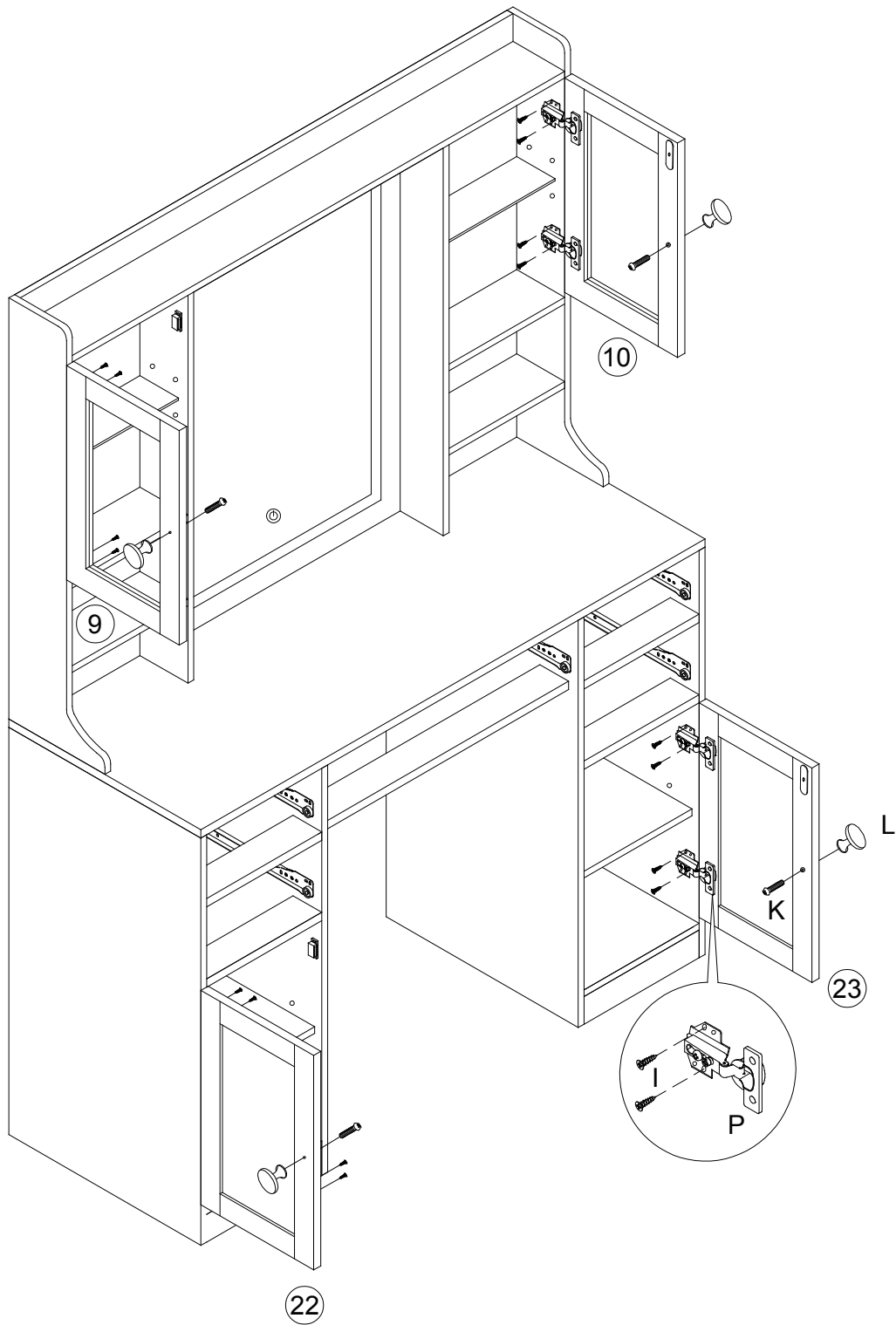
B		20 pcs
C		1 pc
K		6 pcs
L		4 pcs
M		1 pc




# STEP 26



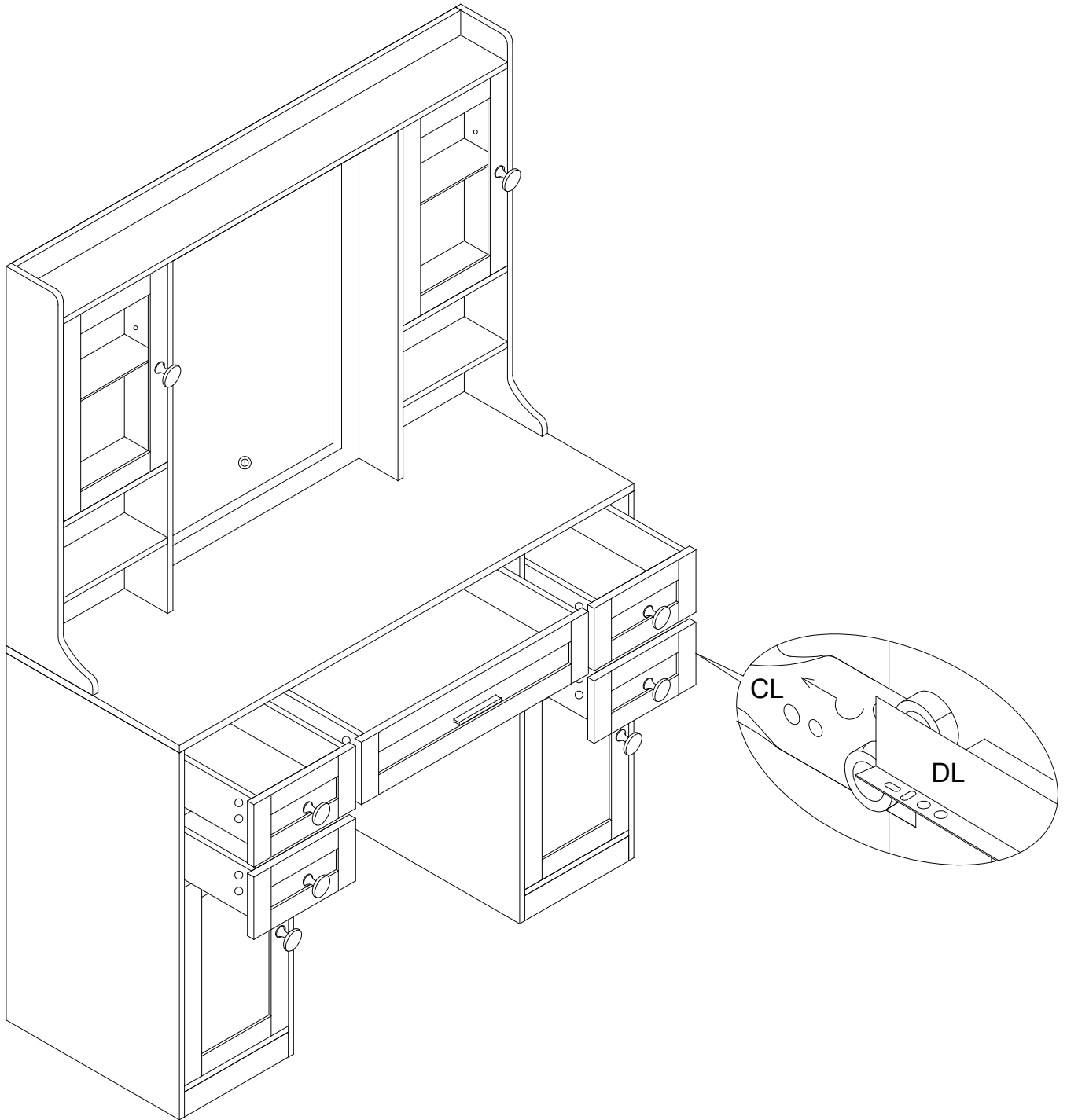
D		20 pcs
DL		5 pcs
DR		5 pcs

# STEP 27

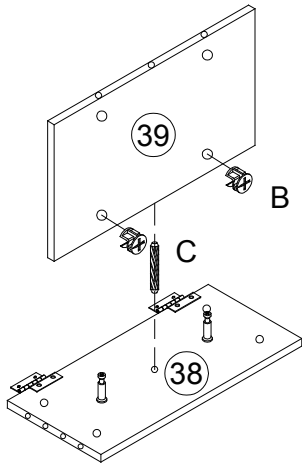




I		16 pcs
K		4 pcs
L		4 pcs

# STEP 28

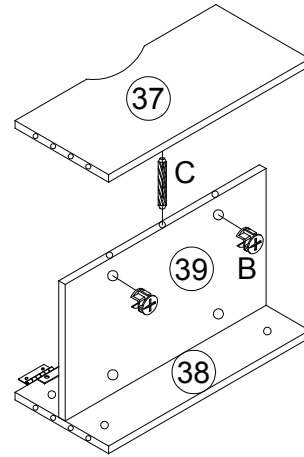




# STEP 29



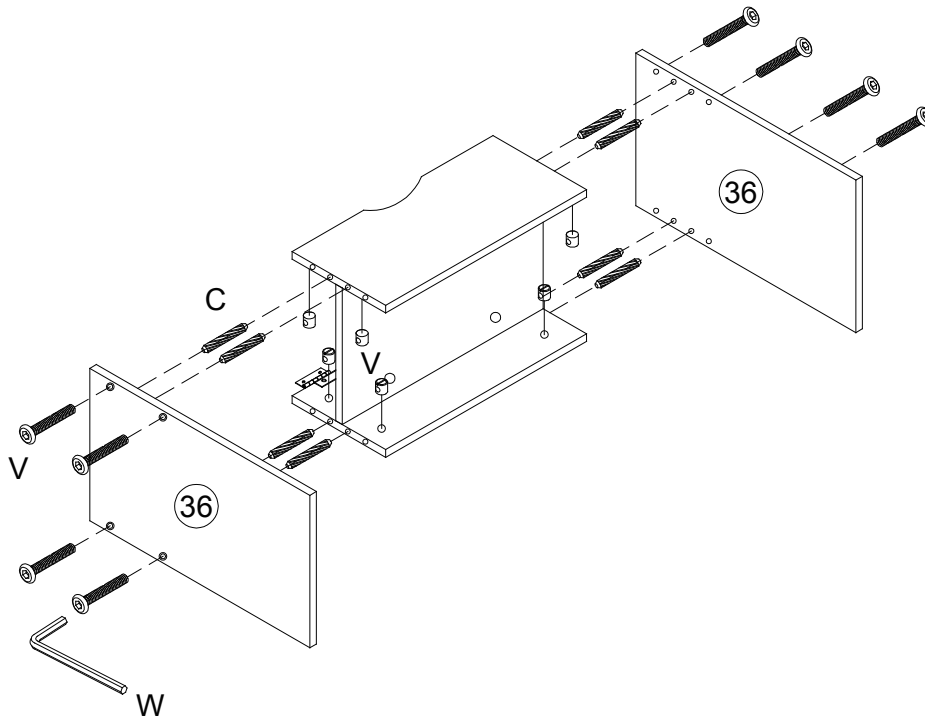
B		2 pcs
C		1 pc




# STEP 30



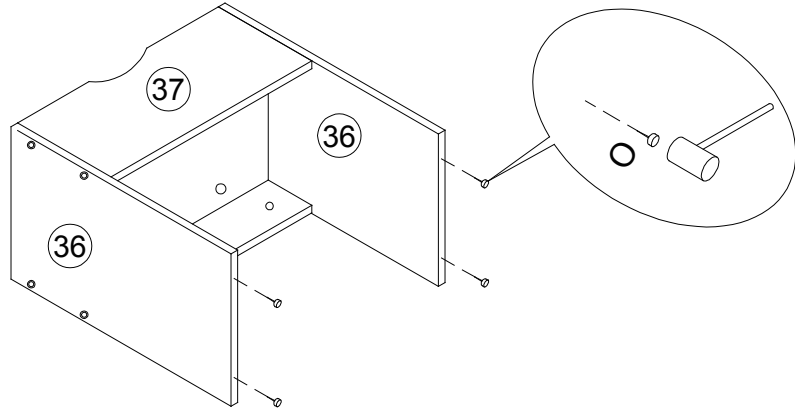
B		2 pcs
C		1 pc


# STEP 31



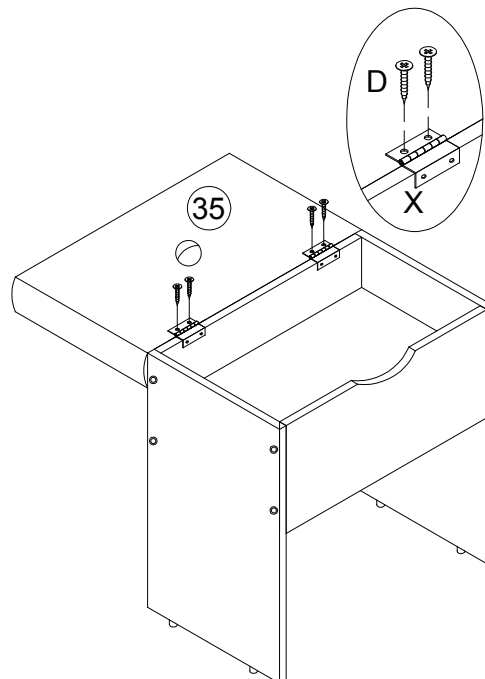
C		8 pc
V		8 pcs
W		1 pc

# STEP 32



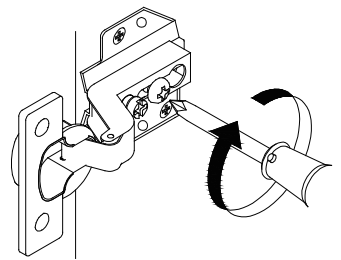
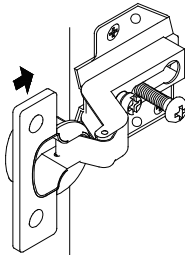
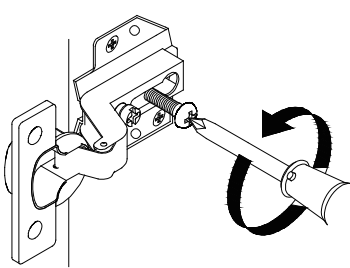
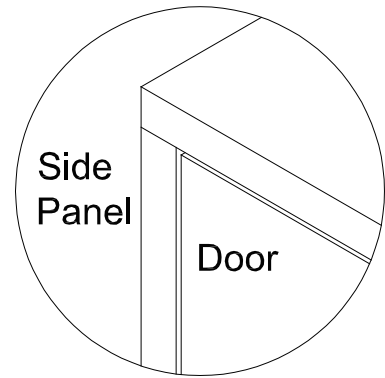
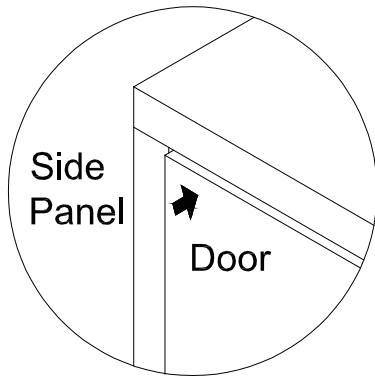
O  4 pcs

# STEP 33

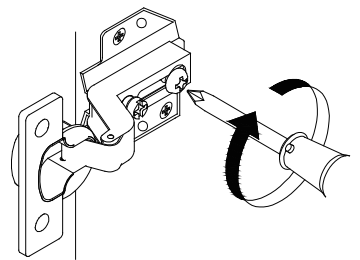
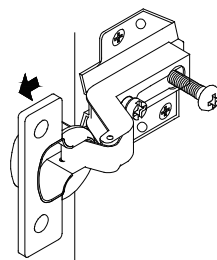
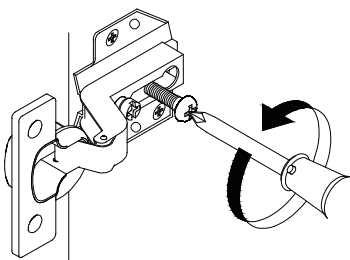
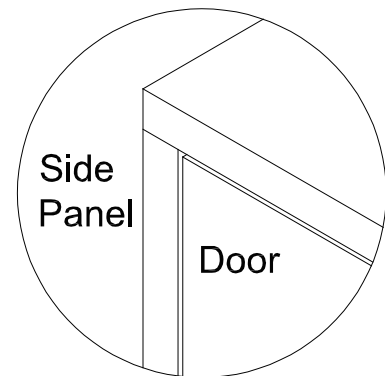
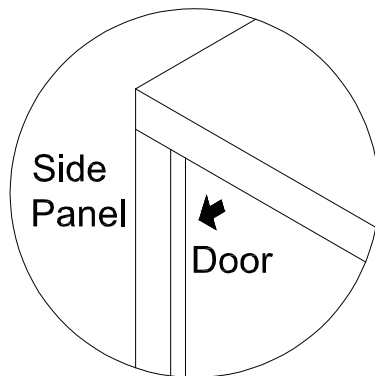


D  4 pcs

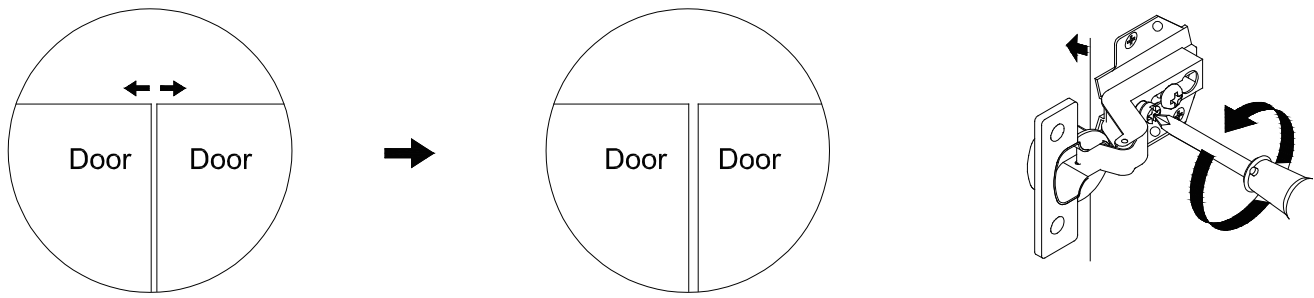
# STEP 34



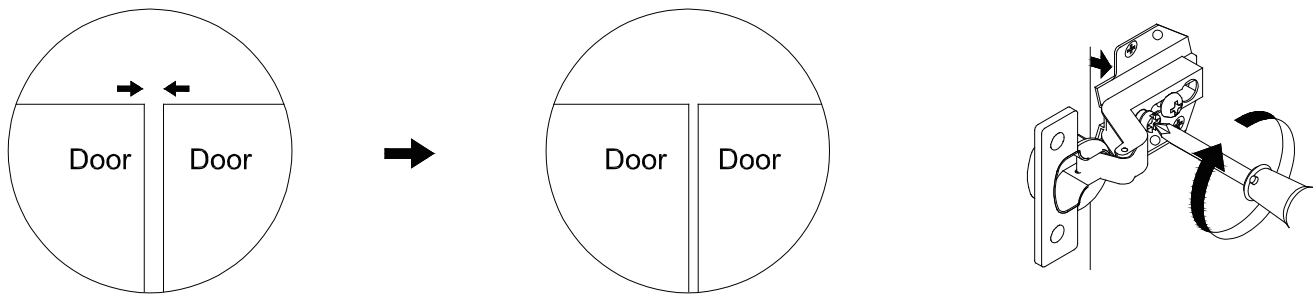
If the top of the door is not level with the side panel, loosen the screw at the back of the hinge as shown, then move the hinge in or out until the desired gap is achieved, and then re-tighten the back screw.



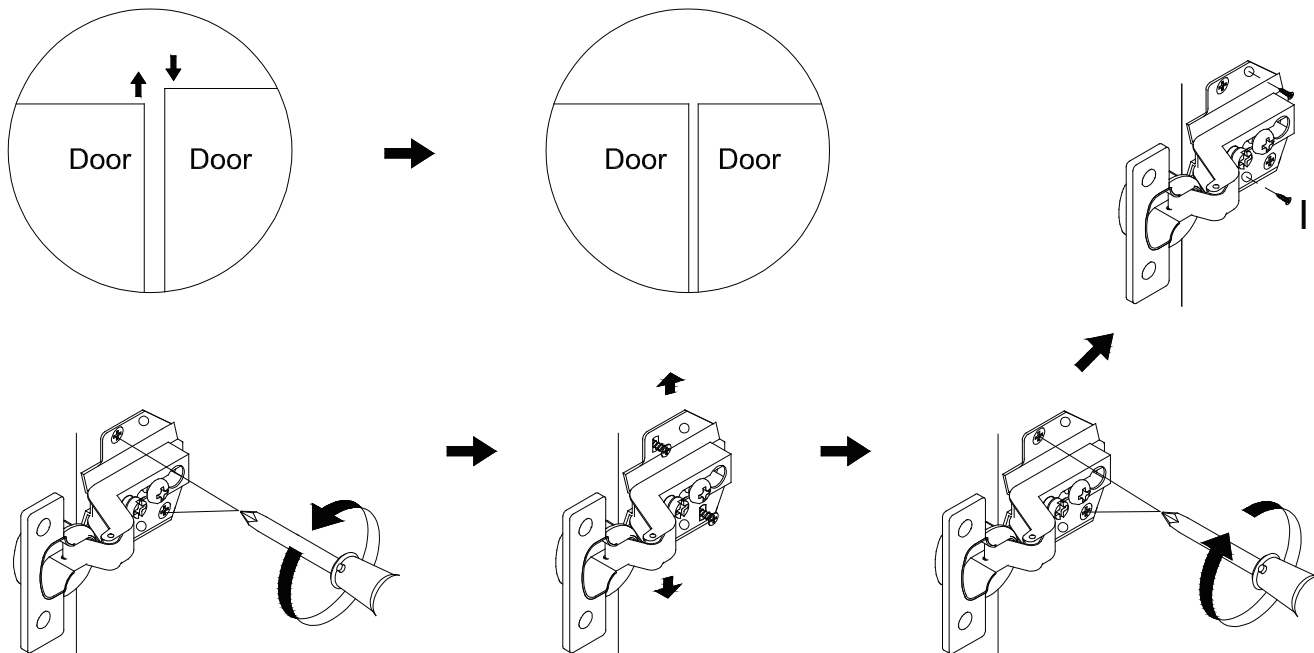
If the top of the door is not level with the side panel, loosen the screw at the back of the hinge as shown, then move the hinge in or out until the desired gap is achieved, and then re-tighten the back screw as shown.



If the gap is too tight between the two doors, loosen the screw at the front of the hinge as shown to make the adjustment and then re-tighten the screw.



If the gap is too wide between the two doors, tighten the screw at the front of the hinge as shown to make the adjustment and then re-tighten the screw.



a) If the doors are not leveled with each other, loosen the screws (installed on STEP 27) at the Panel Wing of the hinge, then adjust the hinge up or down until the desired level or when both doors are leveled, and then re-tighten the screws.

b) When all the desired positions are in place, use the remaining sixteen Screw (I) to fasten the Wing Panel using the balance two screw holes on Panel Wing.

I  16 pcs