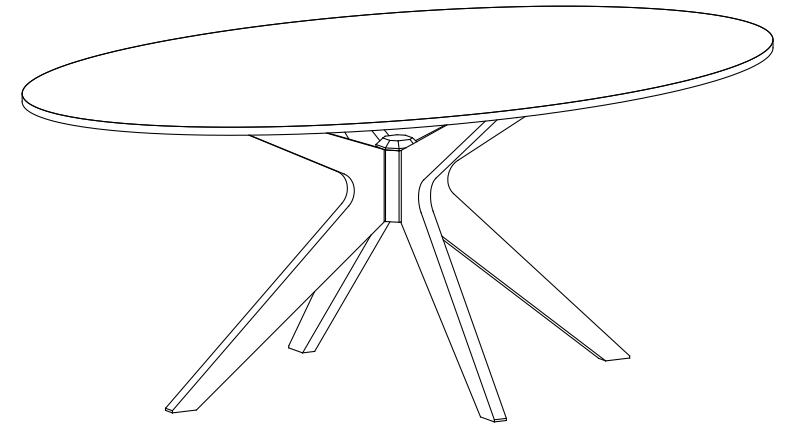


HAWKINS WOOD OVAL DINING TABLE

DESIGN # SFV7241A

Assembly Instructions



Need help?

Feel free to contact us via email or call
if you have any specific questions!

contact us:

cs@safavieh.com

866-422-9070

SAFAVIEH
C O U T U R E

Thanks for bringing Safavieh Couture into your home

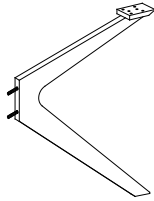
Every thing we make is incredibly simple to set up, including your new dining table. You won't need any additional tools.

Parts List

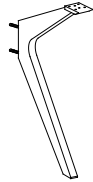
A x 1
TABLE TOP



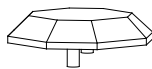
B x 2
LARGE LEG



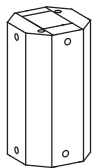
C x 2
SMALL LEG



D x 1
CENTER BLOCK CAP

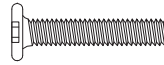


E x 1
CENTRE BLOCK



Hardware List

HW1 x 16
Cross 6x1x35mm



HW2 x 16
Split Washer 6mm



HW3 x 16
Flat Washer 6mm



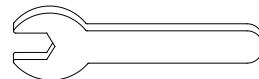
HW4 x 8
Nut 10mm



HW5 x 1
Allen key

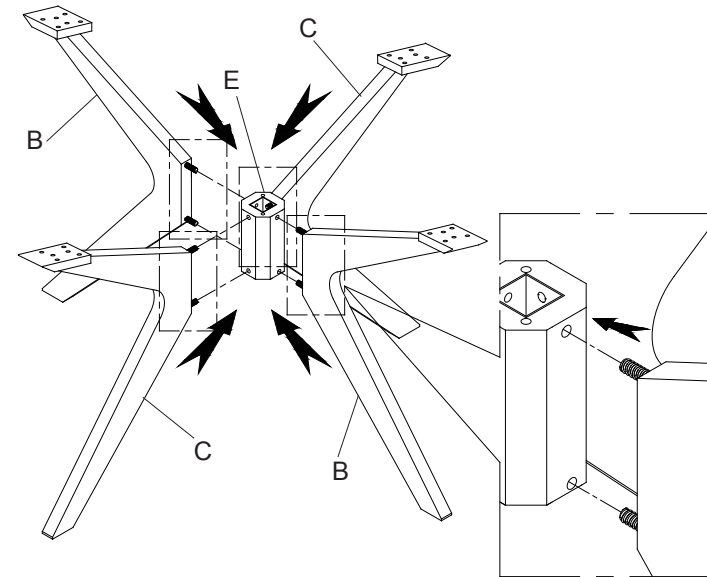


HW6 x 1
Wrench



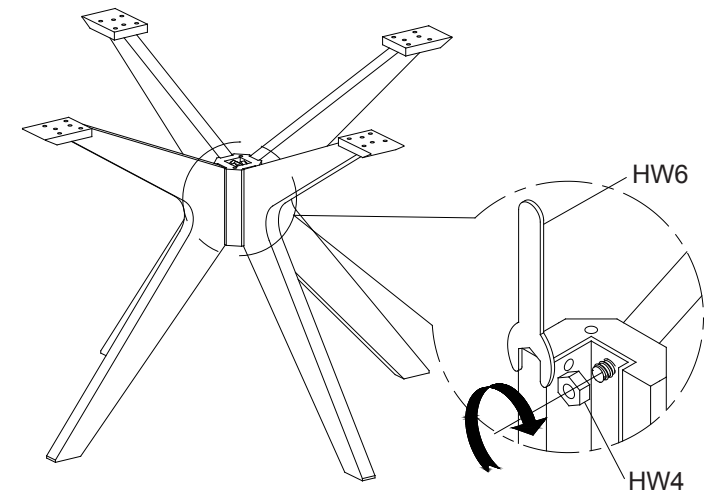
1

Assemble Large Leg (B) and Small Leg (C) into the holes on Center Block (E) as shown.



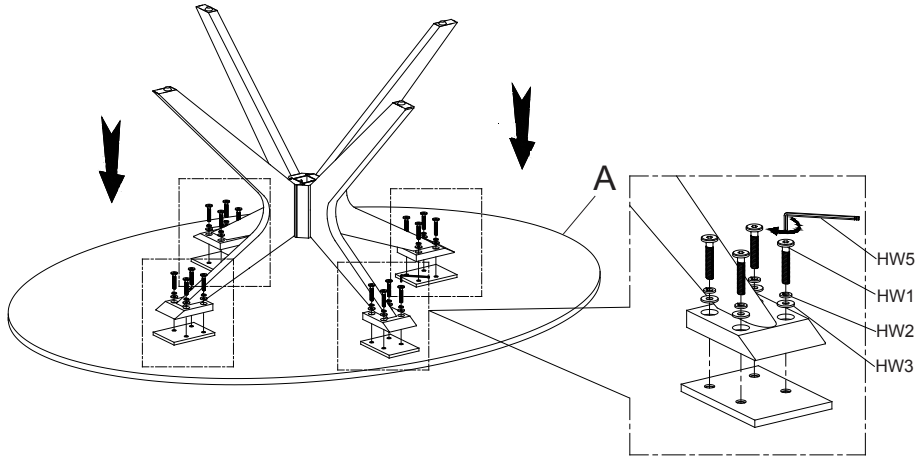
2

Add Nuts (HW4) to Hanger Bolts of each leg, using Wrench (HW6) to tighten Nuts (HW4) as shown. Secure but do not yet fully tighten.



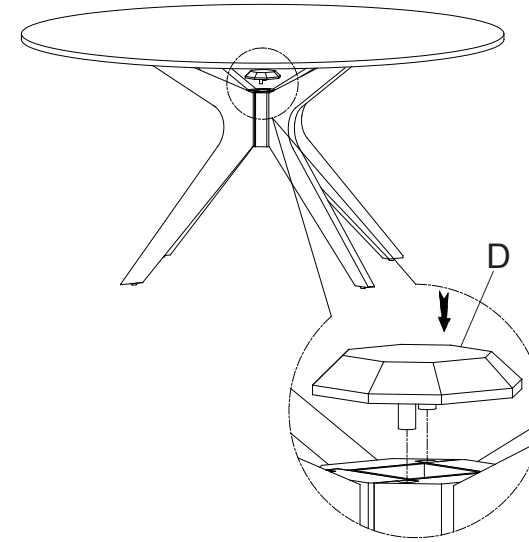
3

Turn the table top (A) upside down, lower it from the top onto the leg frame (assembled in the previous step). By using the Allen Key (HW5) to tighten the Cross (HW1) into the Split Washer (HW2), then the Flat Washer (HW3) as shown. Do not yet fully tighten Cross (HW1).



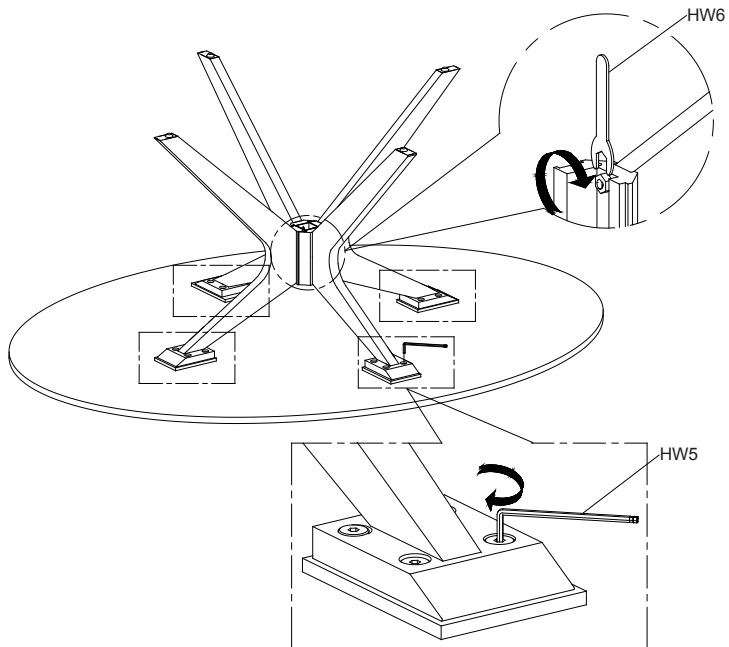
5

Assemble Center Block Cap (D) from the top down to the leg frame (assembled in the previous step) as shown.



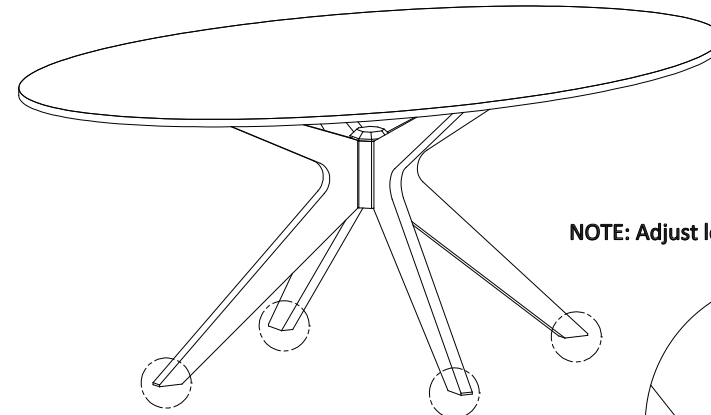
4

Use the attached Allen Key (HW5), Wrench (HW6) to fully tighten all Bolts, Hexnuts as shown.

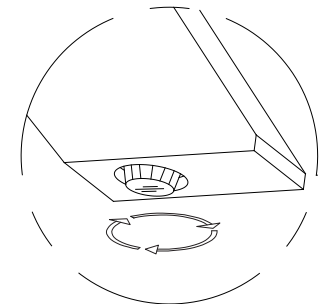


6

Assembly is now complete and the Product is ready for use.



NOTE: Adjust levelers under foot if needed.



7

Place the dining table in the position you use. We'd love to see it — just tag us (we're @safavieh) and use the hashtag #safavieh on Instagram!

