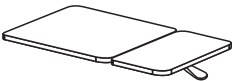

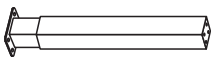

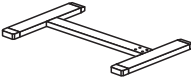



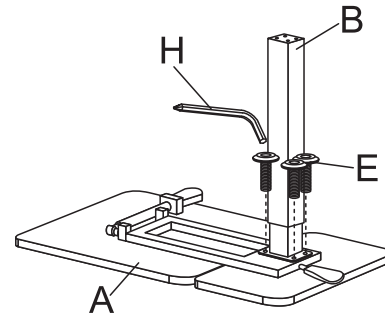


Assembly Drawing

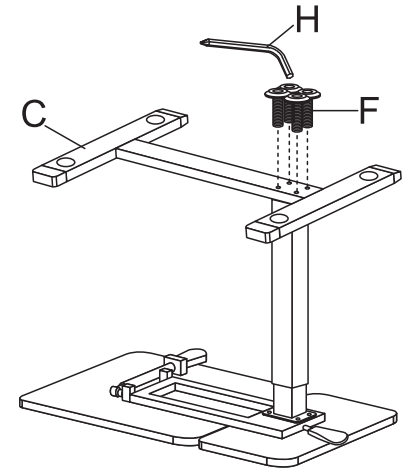


No	Parts	Qty	No	Parts	Qty
A		x1	E		x4
B		x1	F		x4
C		x1	G		x2
D		x1	H		x1

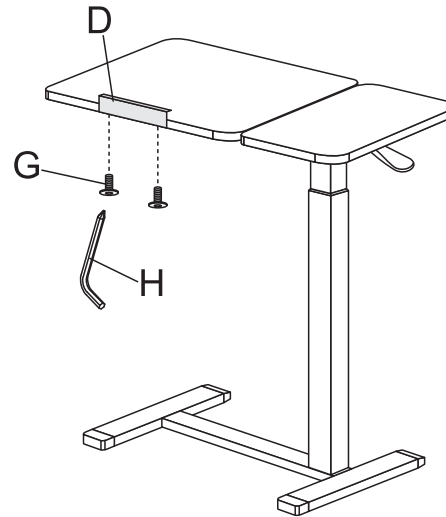
1



2



3



4

Table top can be rotated

