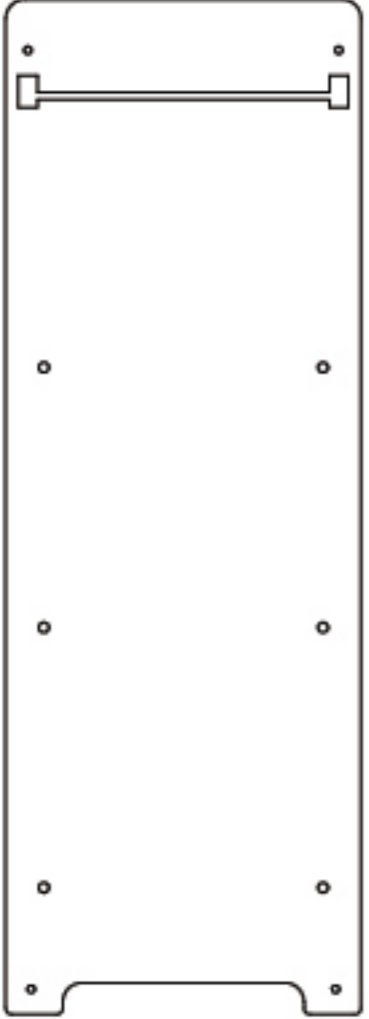
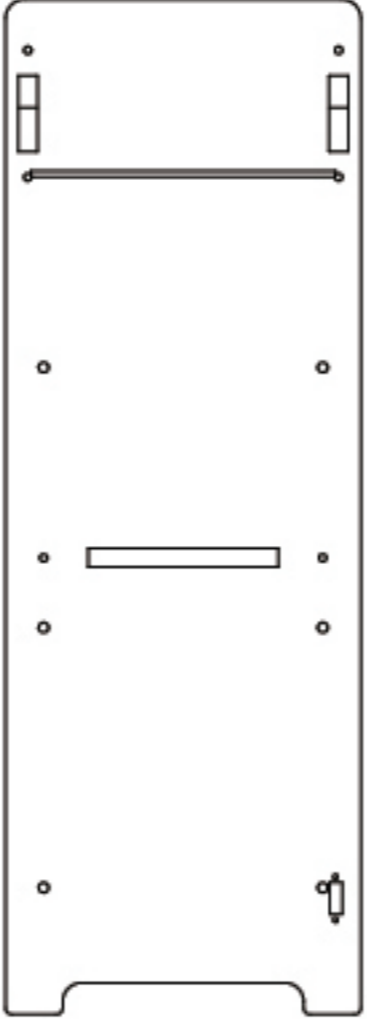
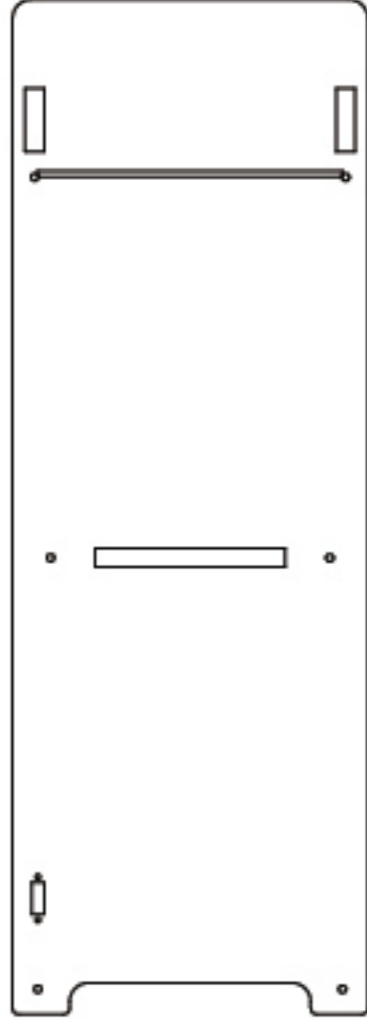
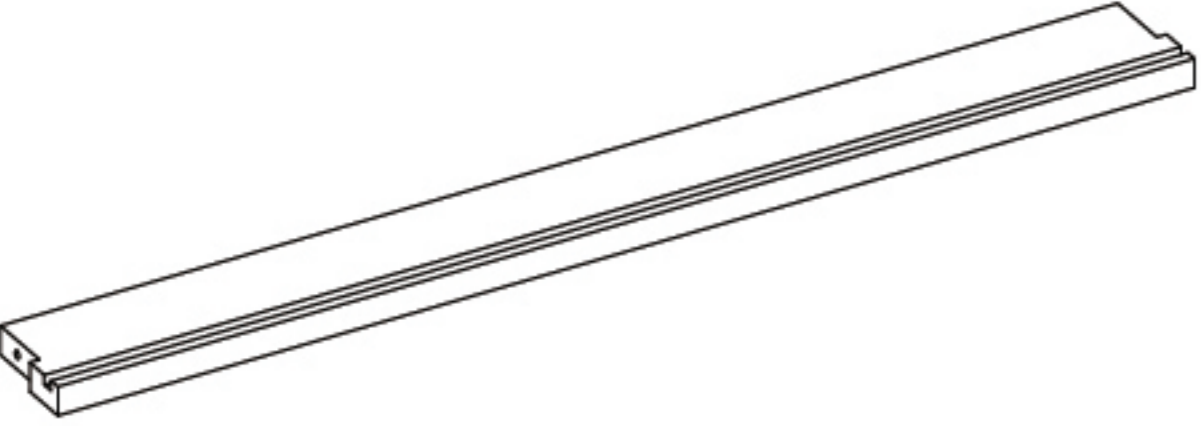
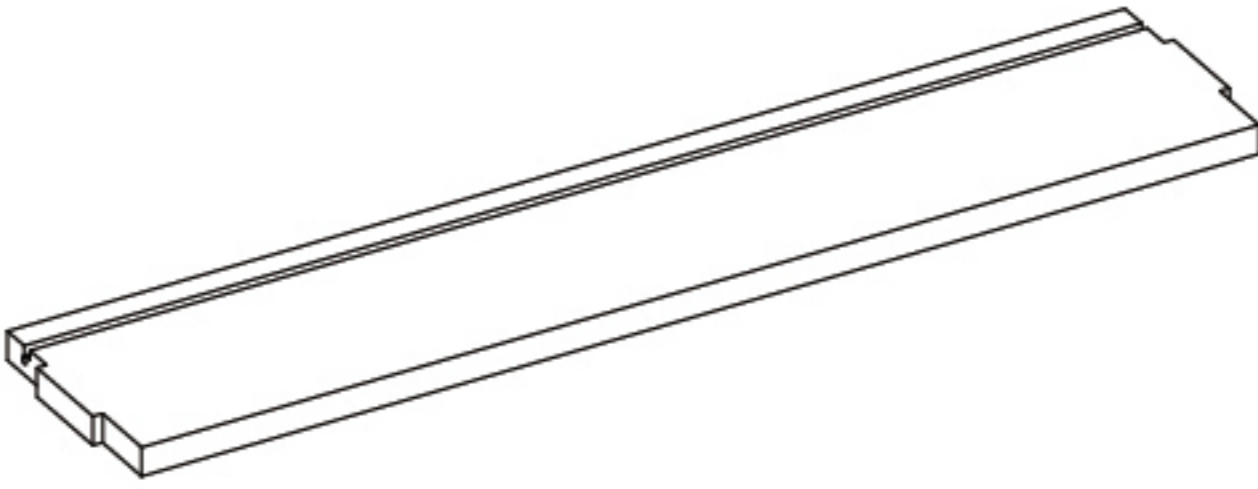
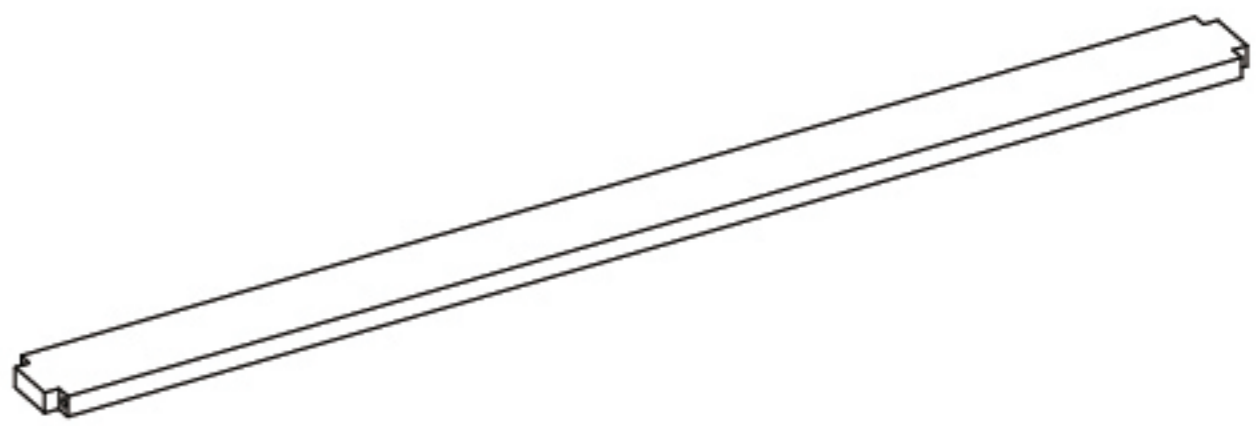
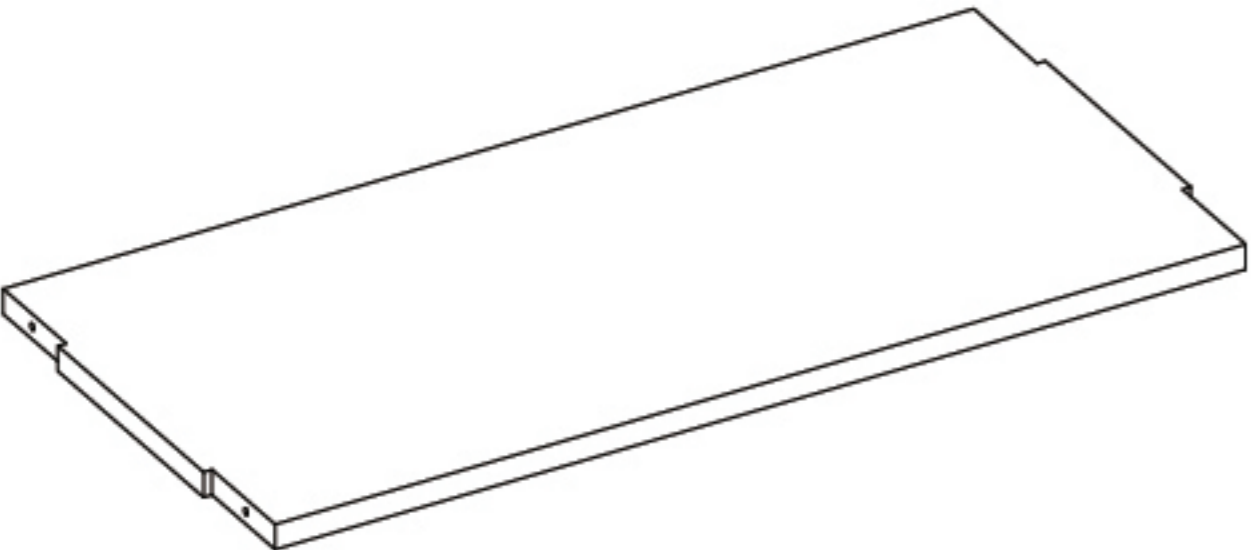
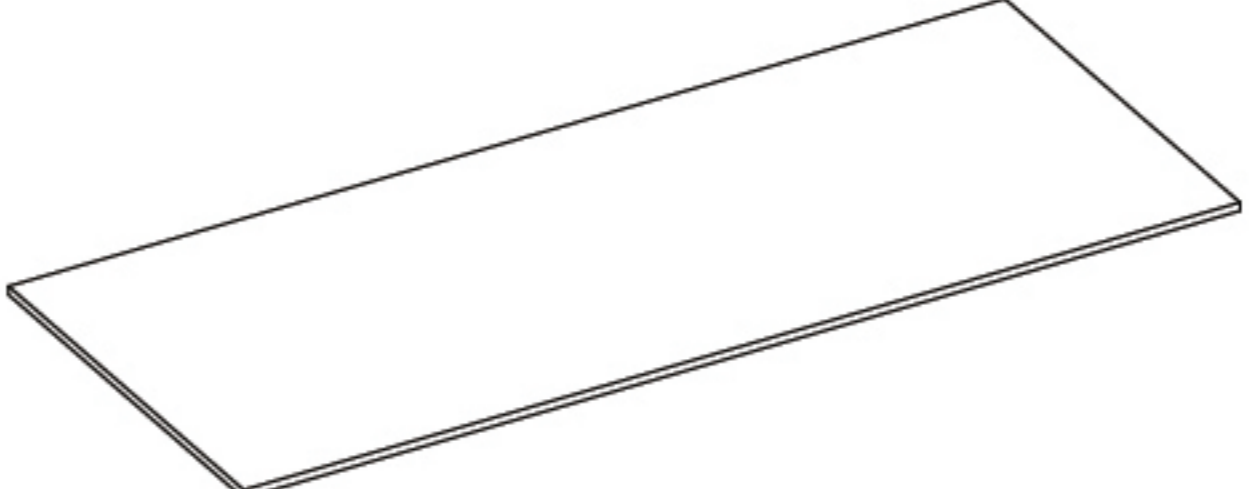
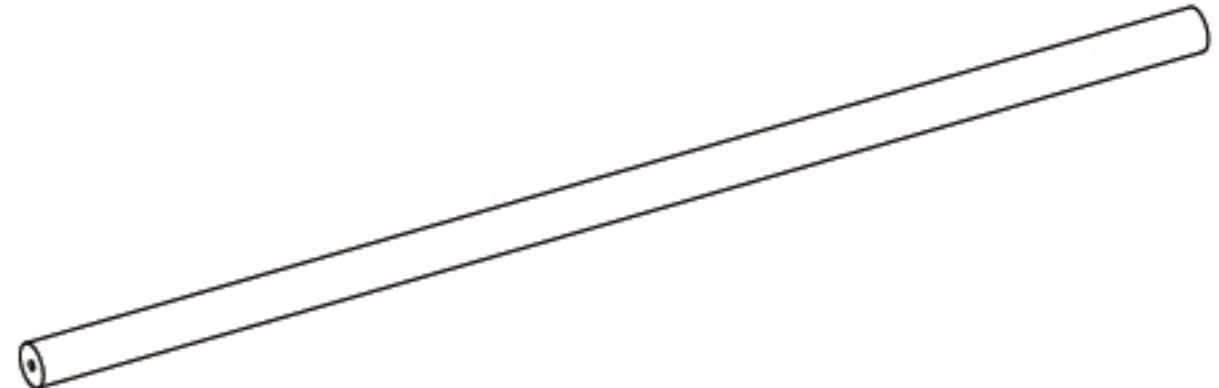
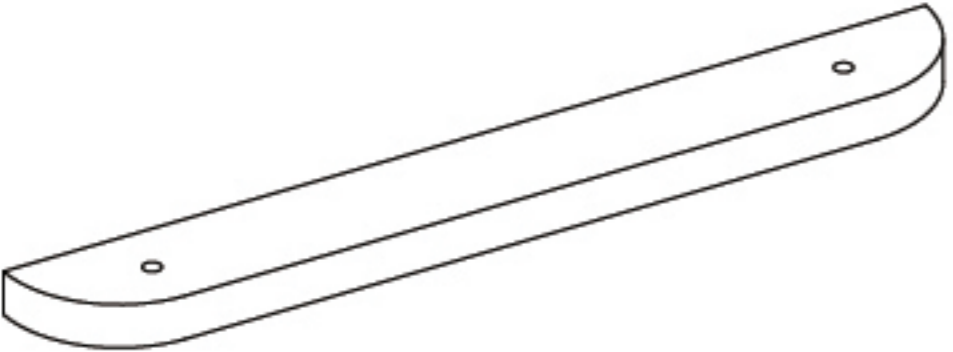
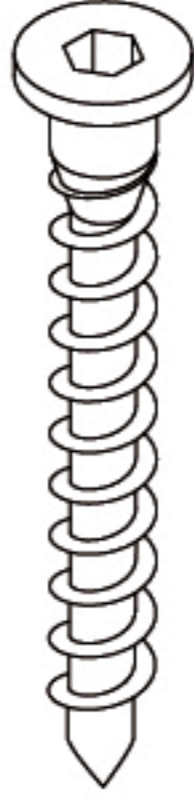
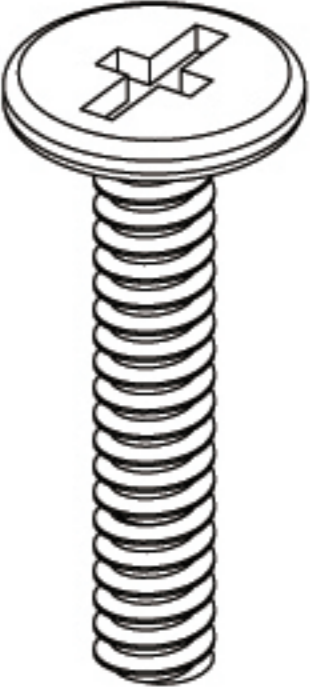
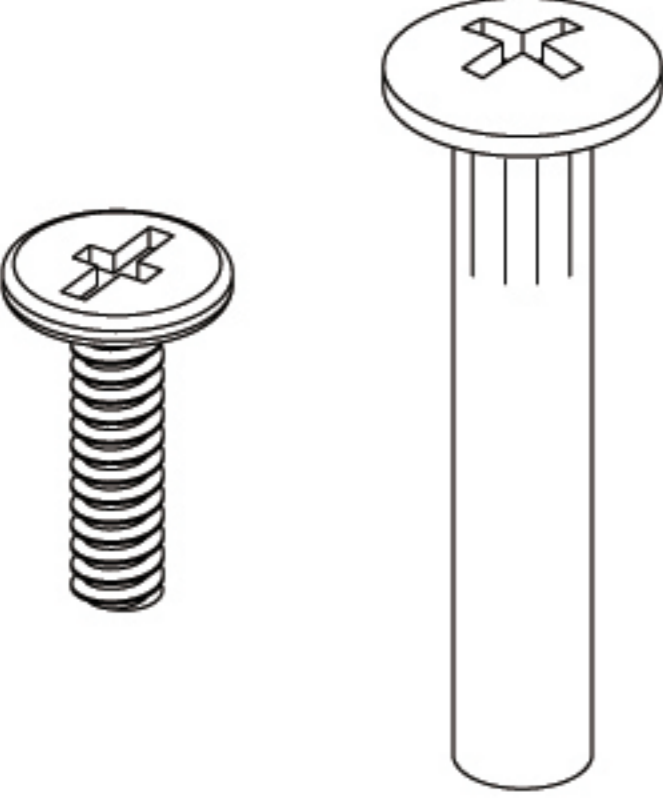
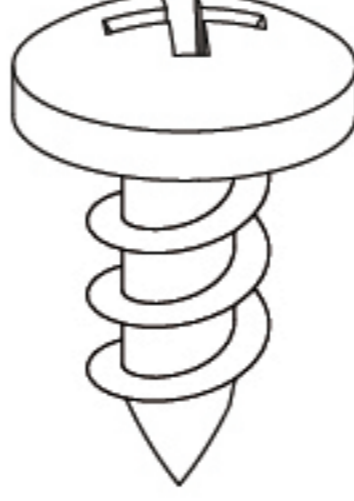
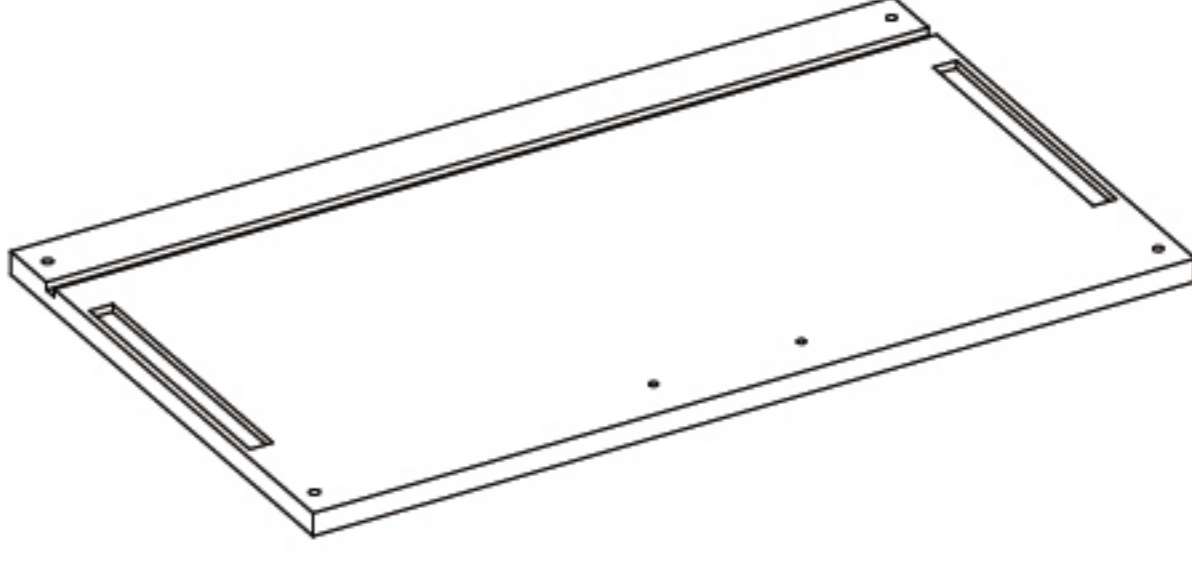
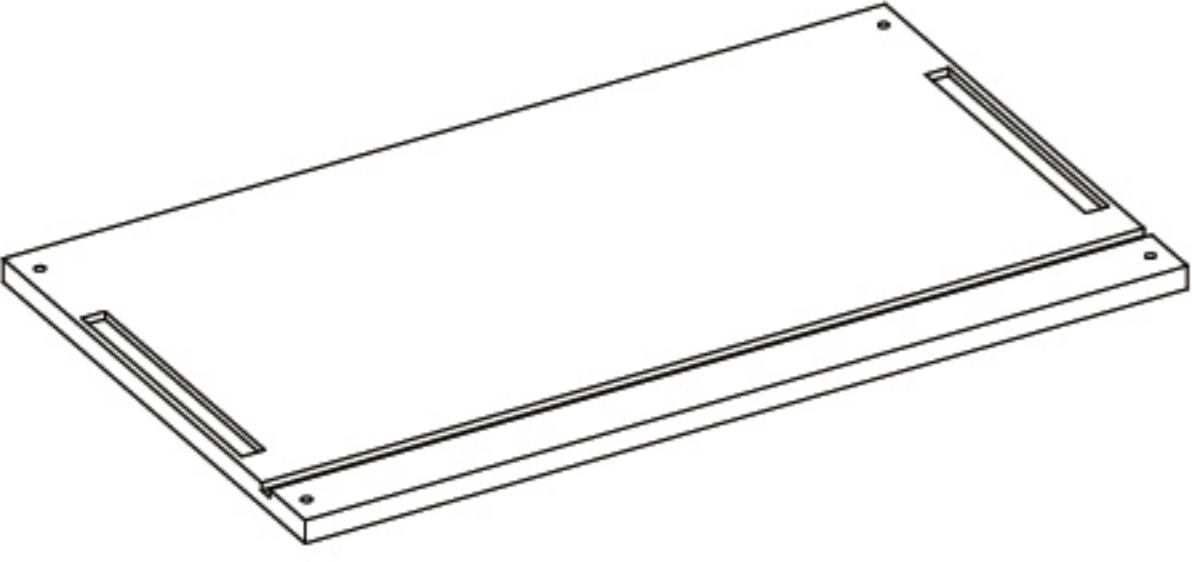
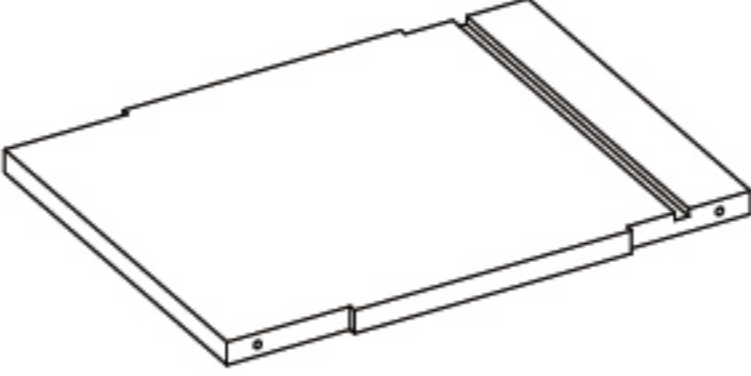
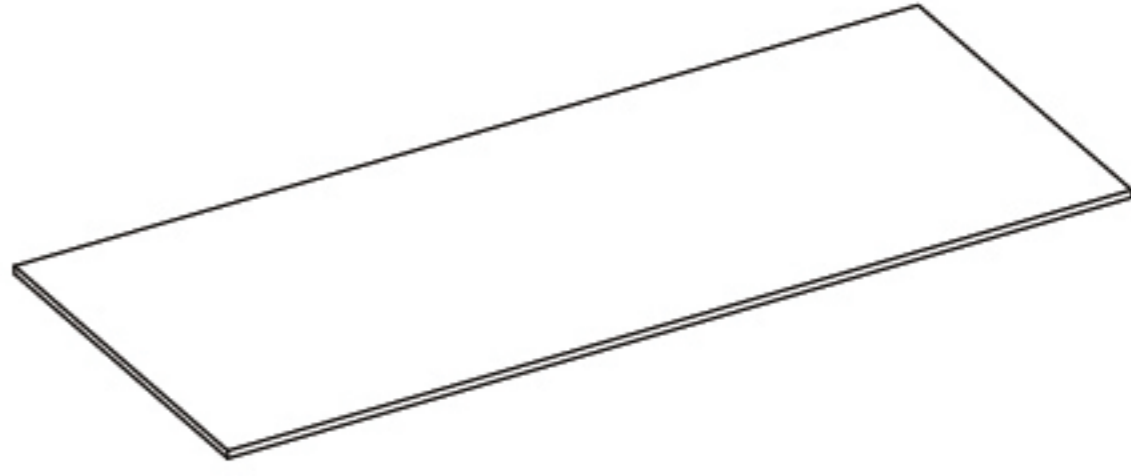
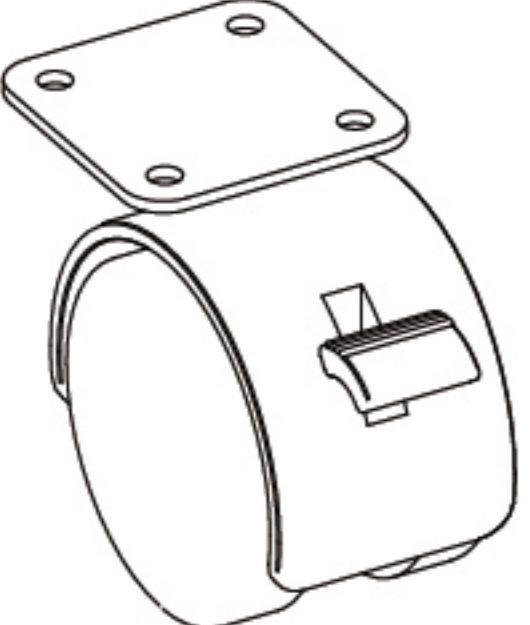

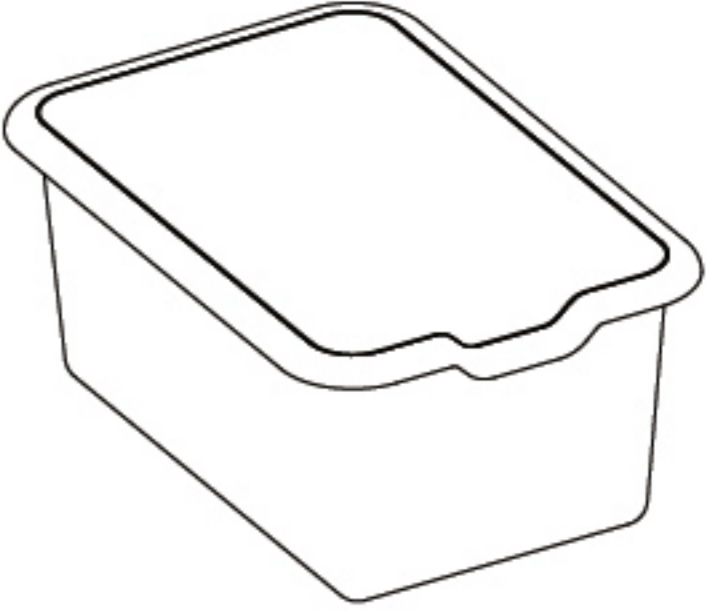
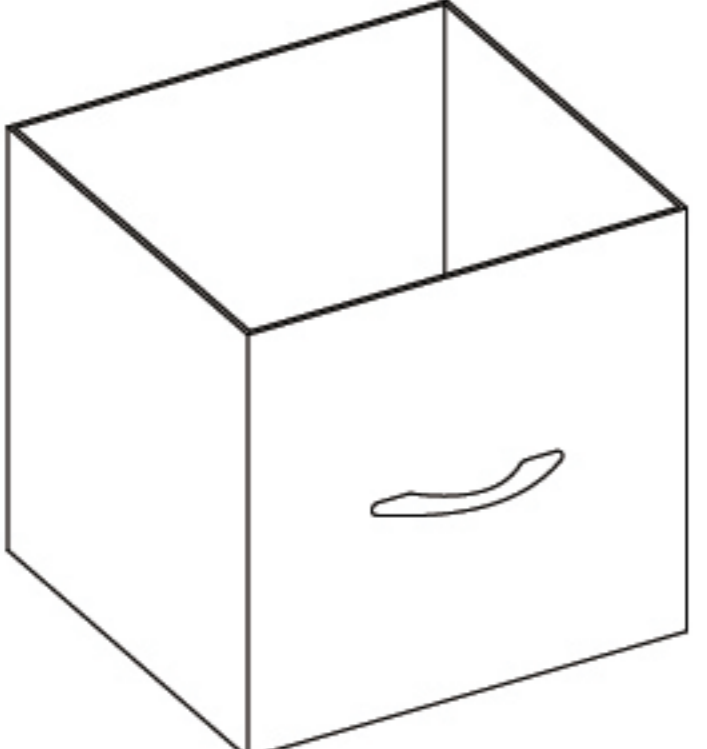
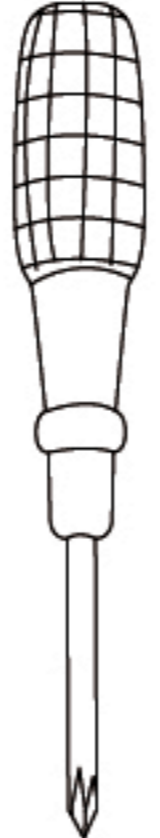
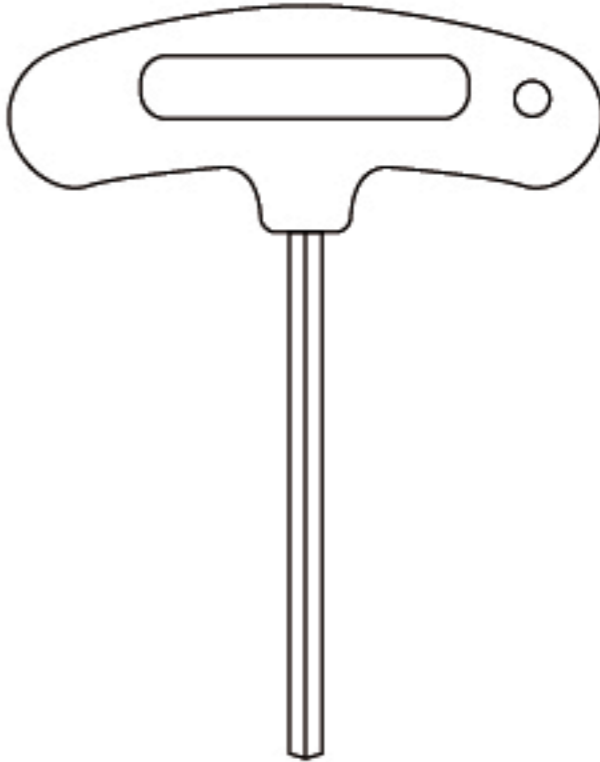
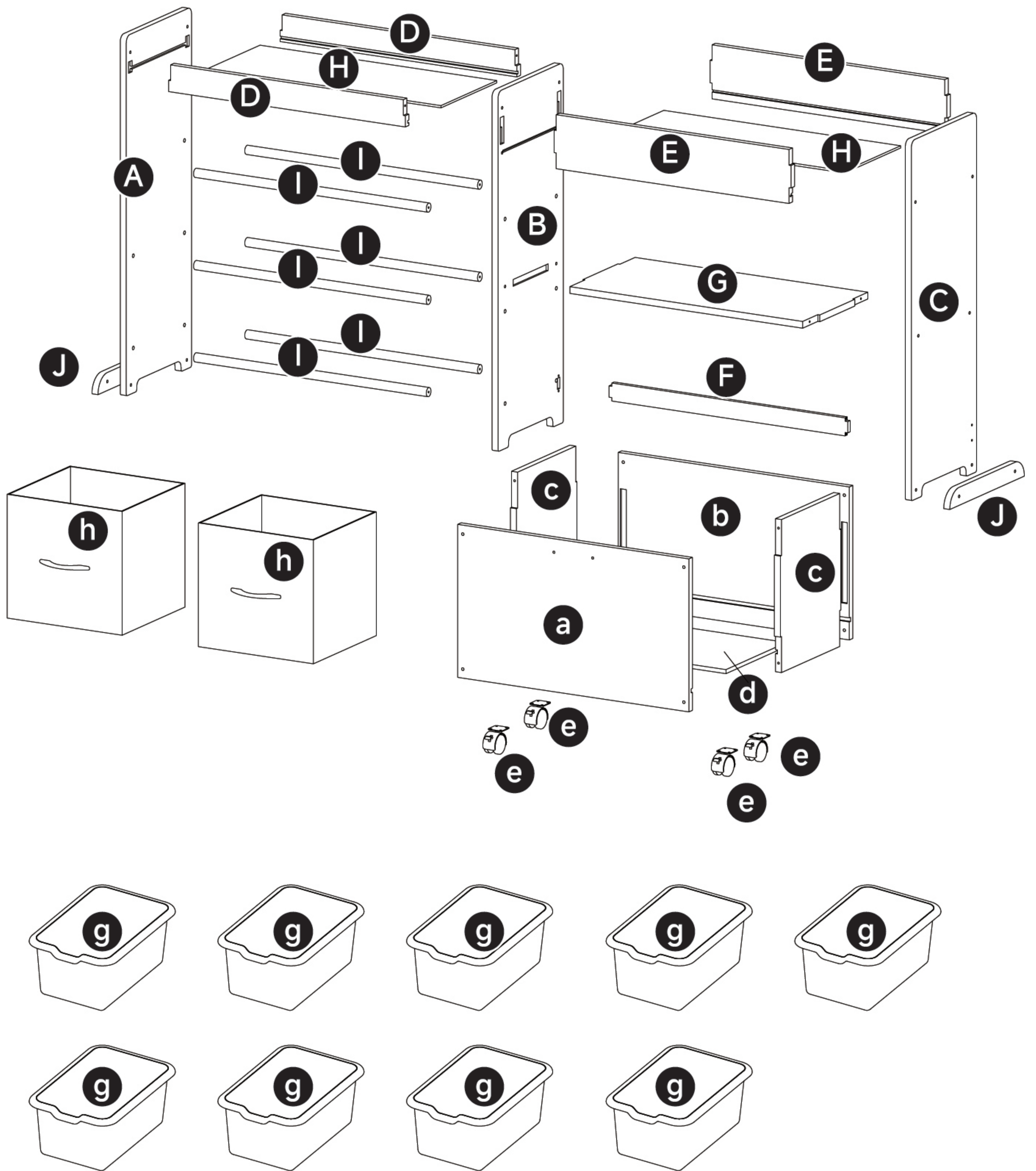


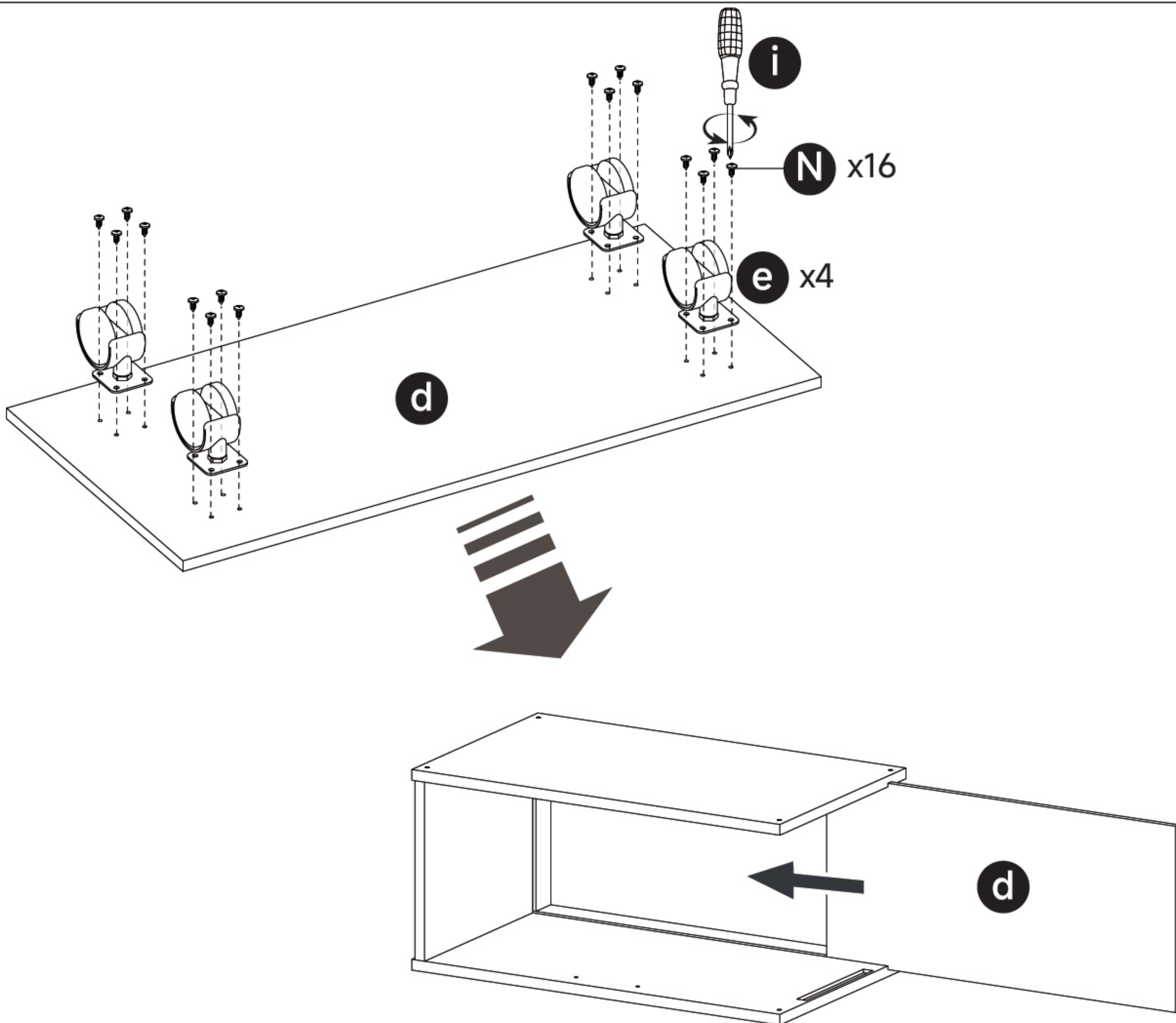
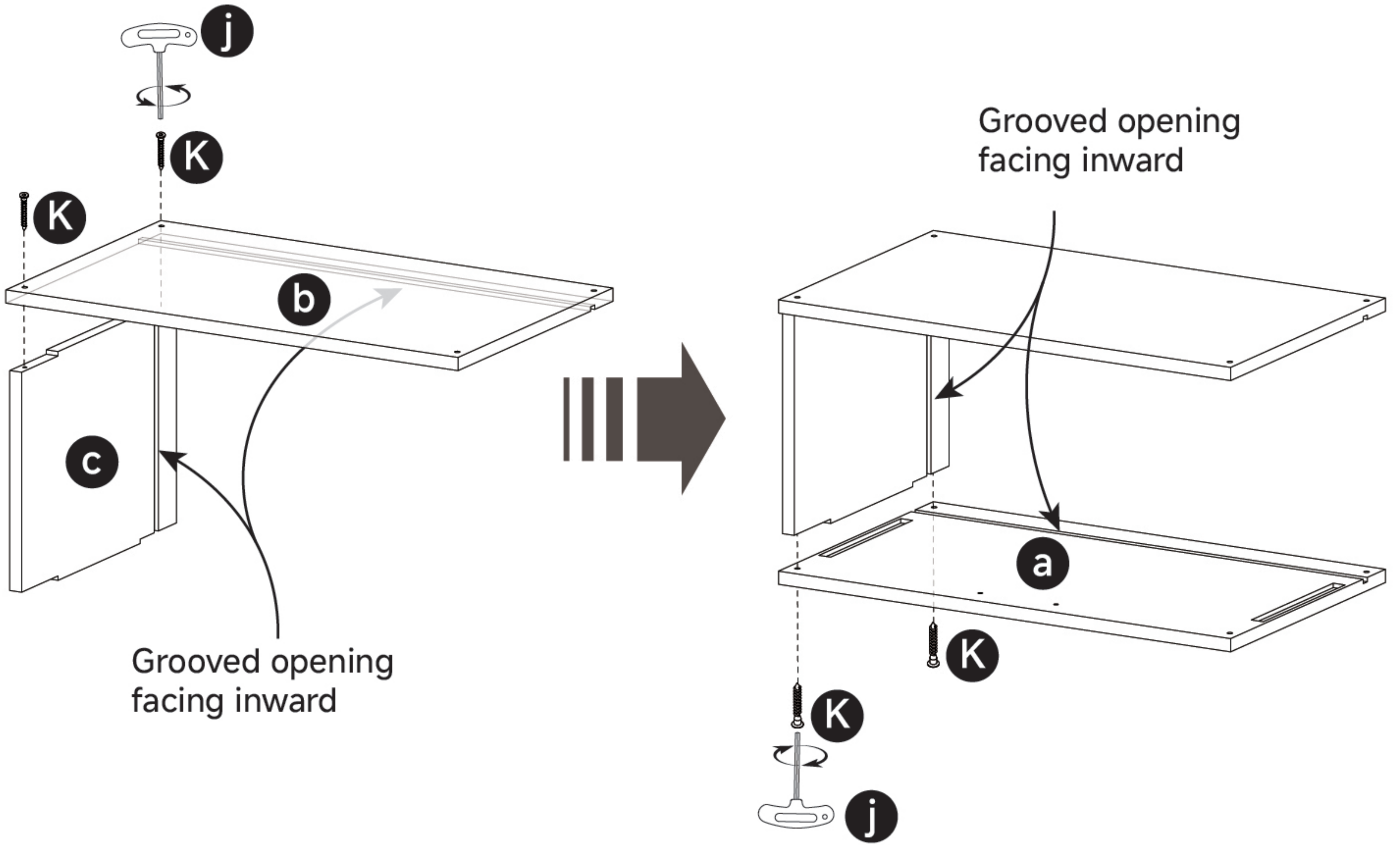
PANEL LIST

<p><b>A</b></p>  <p>1PC</p>	<p><b>B</b></p>  <p>1PC</p>	<p><b>C</b></p>  <p>1PC</p>
<p><b>D</b></p>  <p>2PCS</p>	<p><b>E</b></p>  <p>2PCS</p>	<p><b>F</b></p>  <p>1PC</p>
<p><b>G</b></p>  <p>1PC</p>	<p><b>H</b></p>  <p>2PCS</p>	<p><b>I</b></p>  <p>6PCS</p>
<p><b>J</b></p>  <p>2PCS</p>	<p><b>K</b></p>  <p>37PCS</p>	<p><b>L</b></p>  <p>2PCS</p>



PANEL LIST

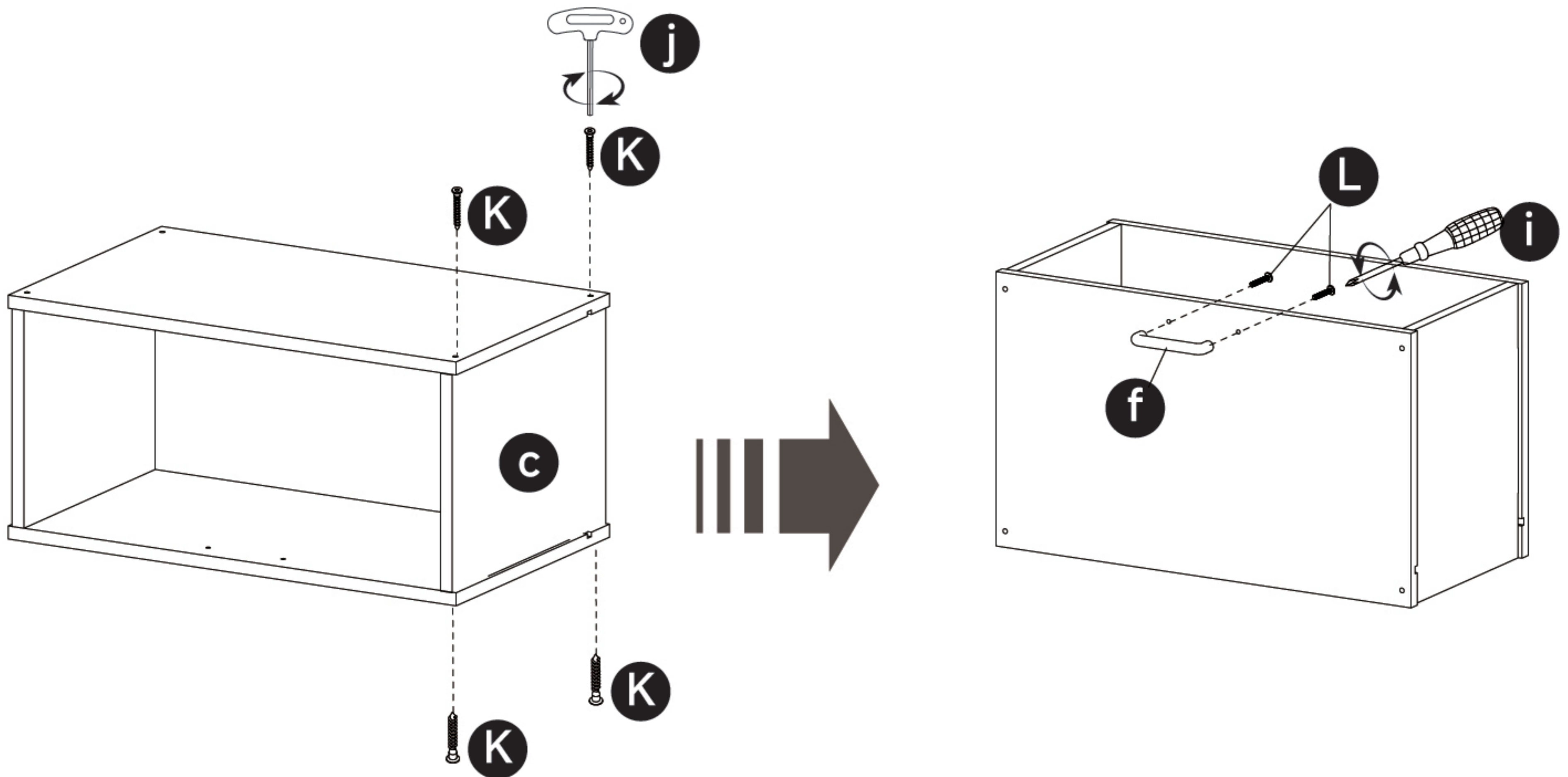
<p><b>M</b></p>  <p>4PCS</p>	<p><b>N</b></p>  <p>16PCS</p>	<p><b>a</b></p>  <p>1PC</p>
<p><b>b</b></p>  <p>1PC</p>	<p><b>c</b></p>  <p>2PCS</p>	<p><b>d</b></p>  <p>1PC</p>
<p><b>e</b></p>  <p>4PCS</p>	<p><b>f</b></p>  <p>1PC</p>	<p><b>g</b></p>  <p>9PCS</p>
<p><b>h</b></p>  <p>2PCS</p>	<p><b>i</b></p>  <p>1PC</p>	<p><b>j</b></p>  <p>1PC</p>





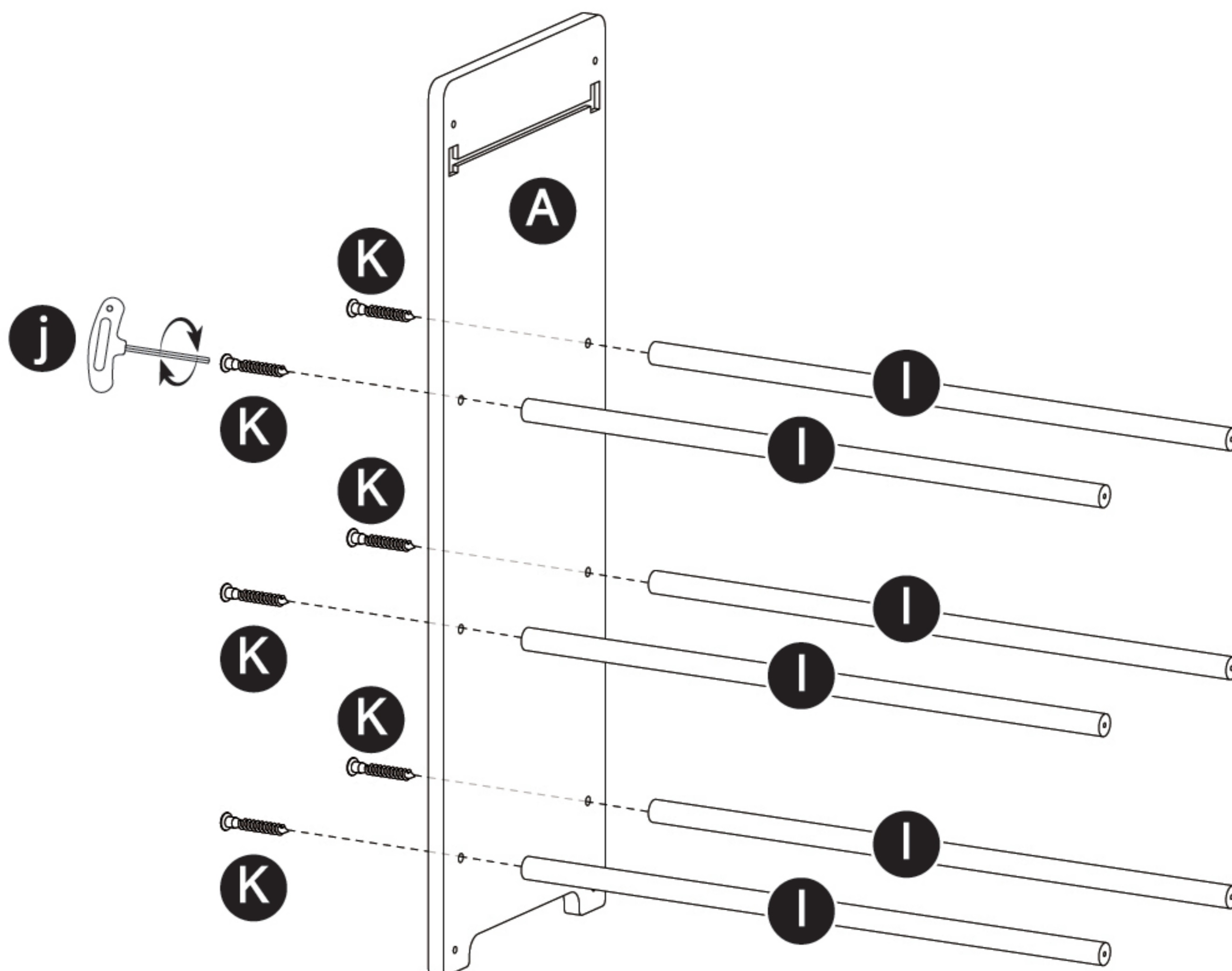
03

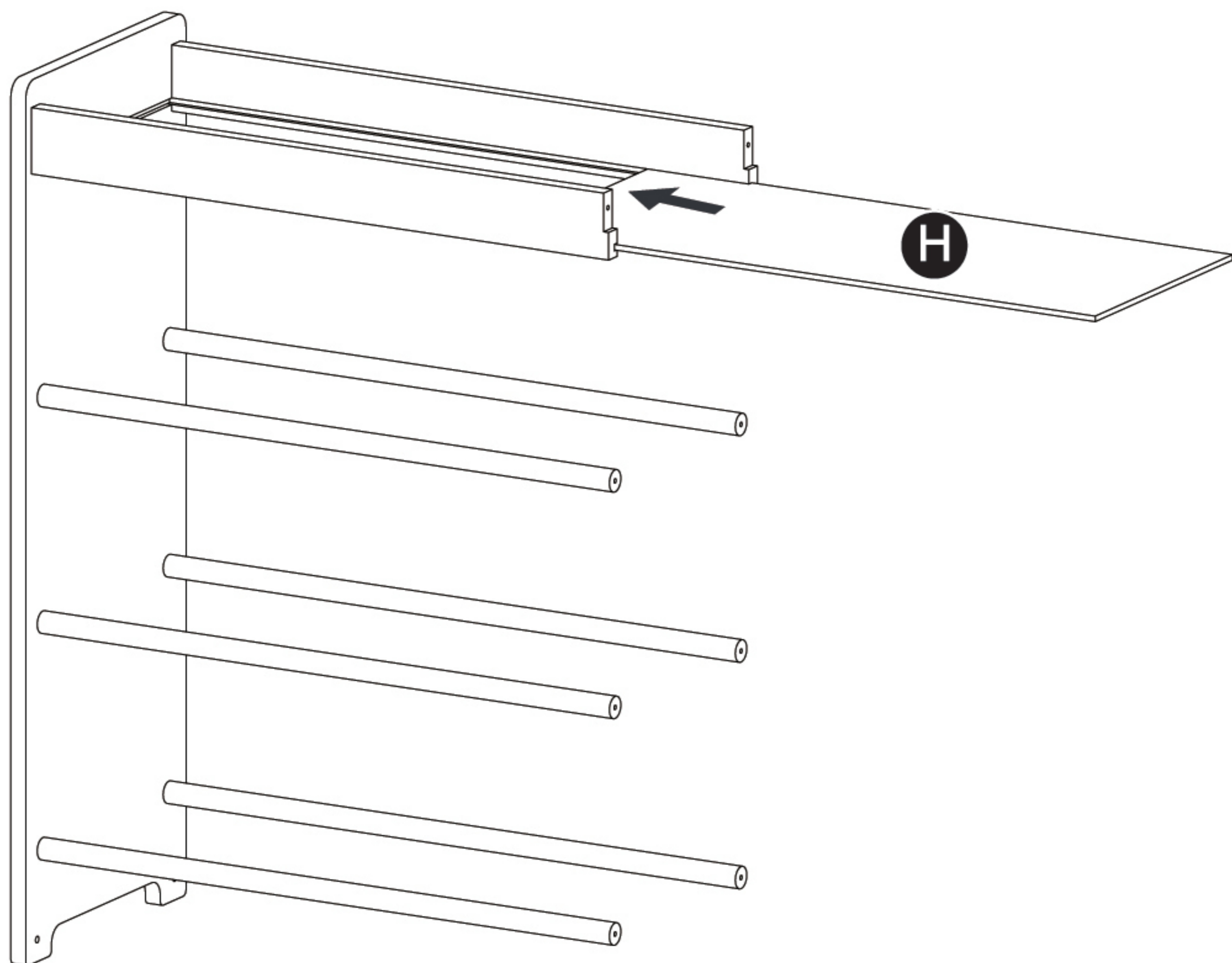
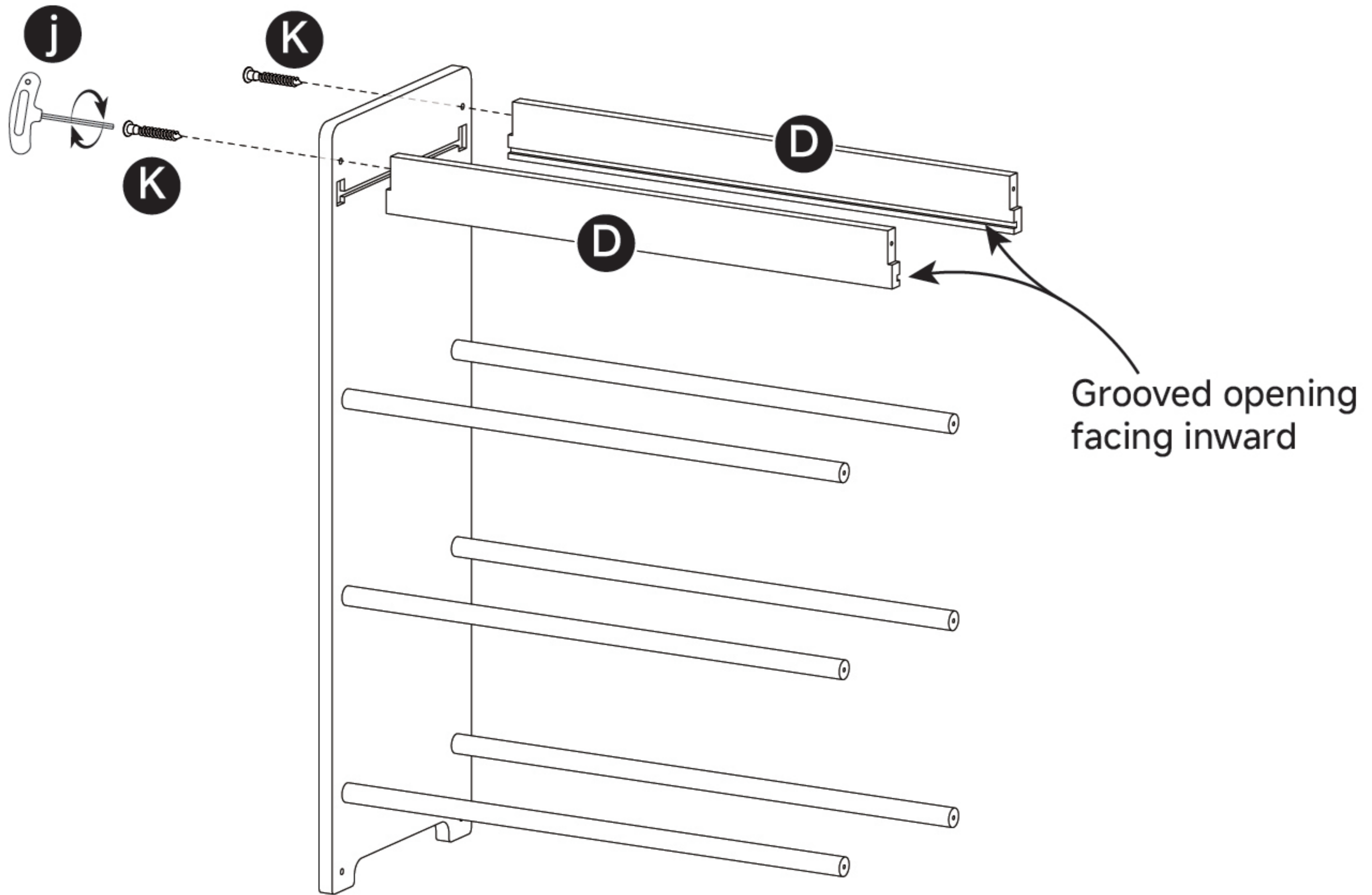
Kx4   
Lx2 

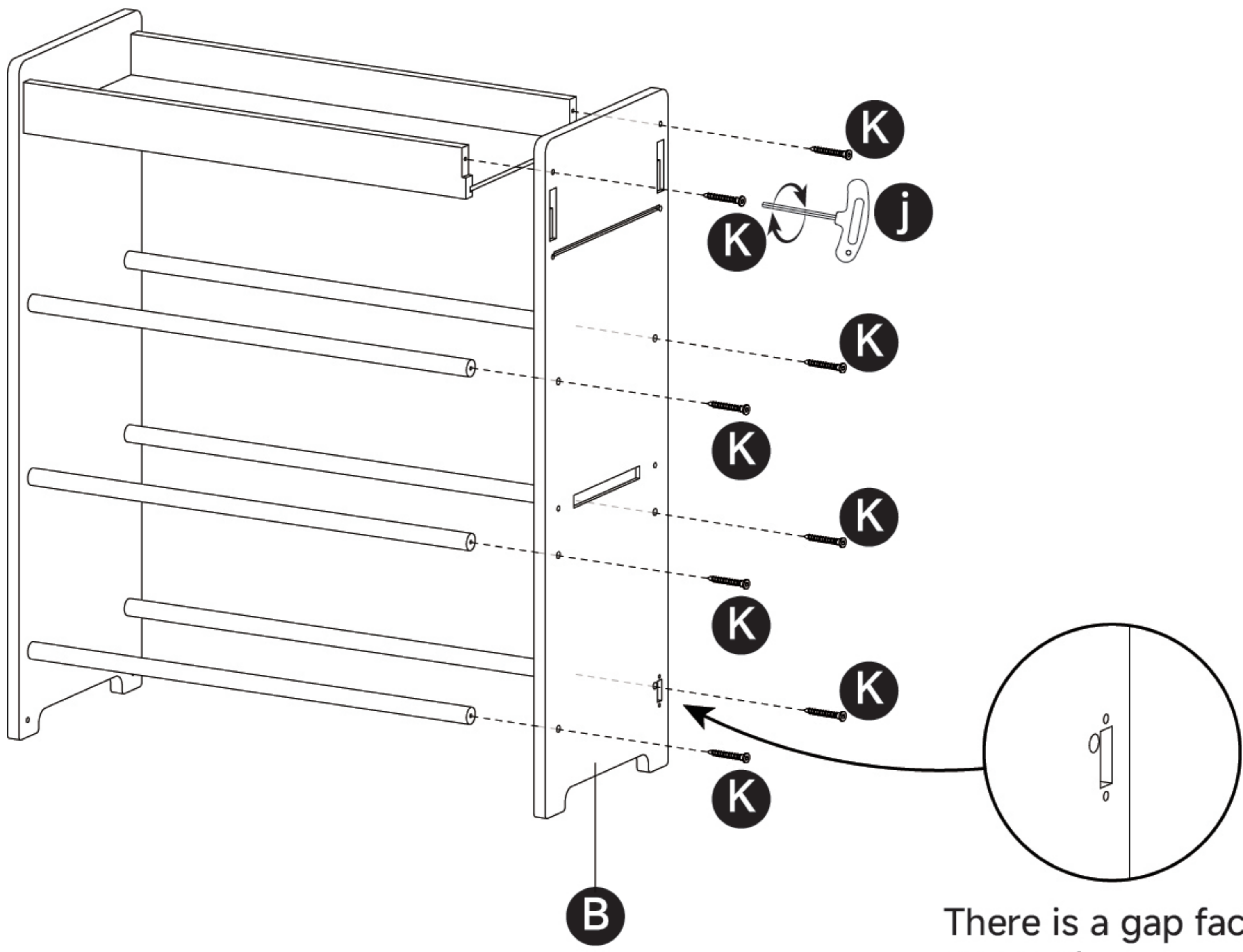


04 Please install in accordance with the instructions from left to right. Otherwise, it may not install properly.

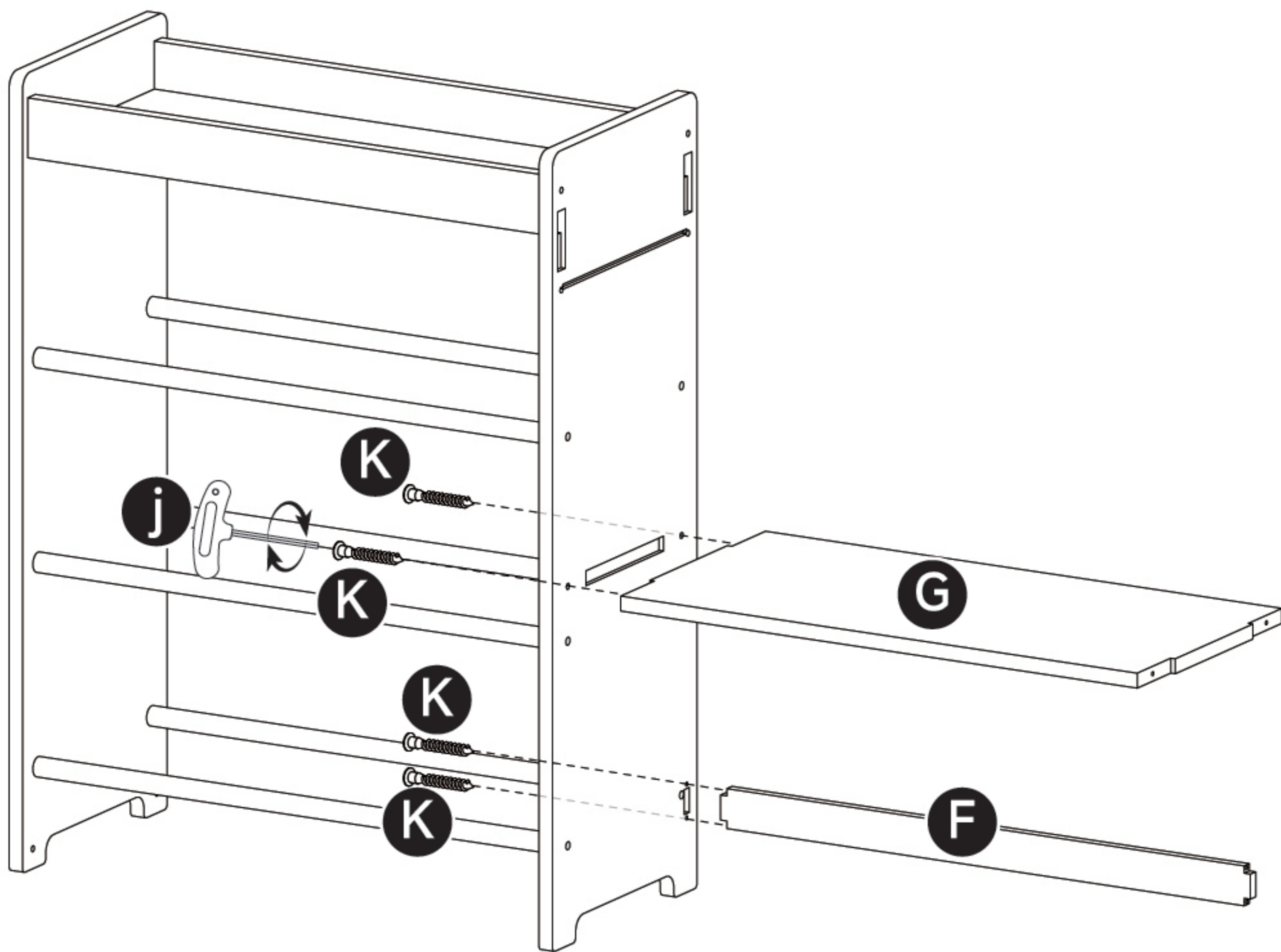
Kx6 

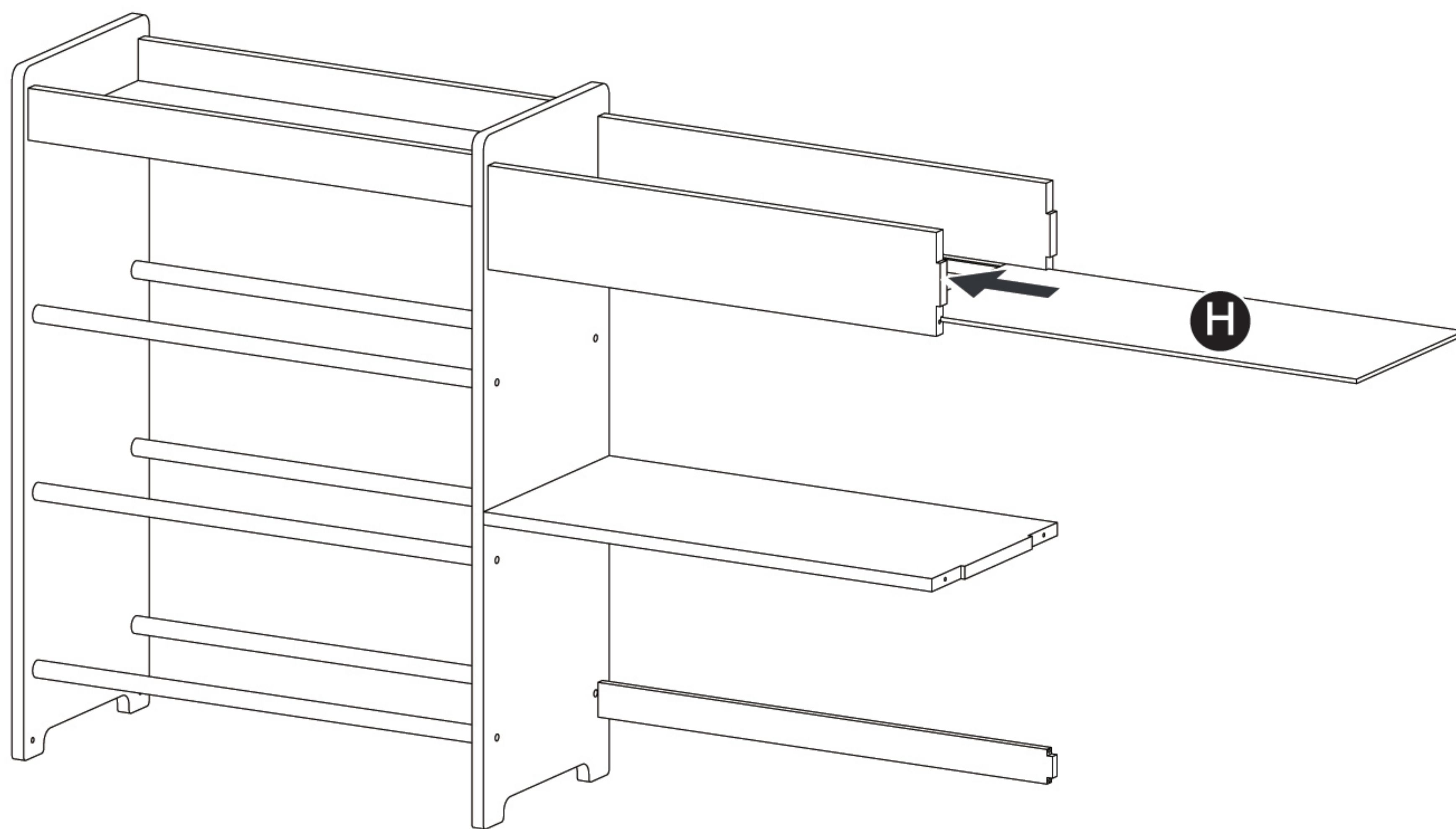
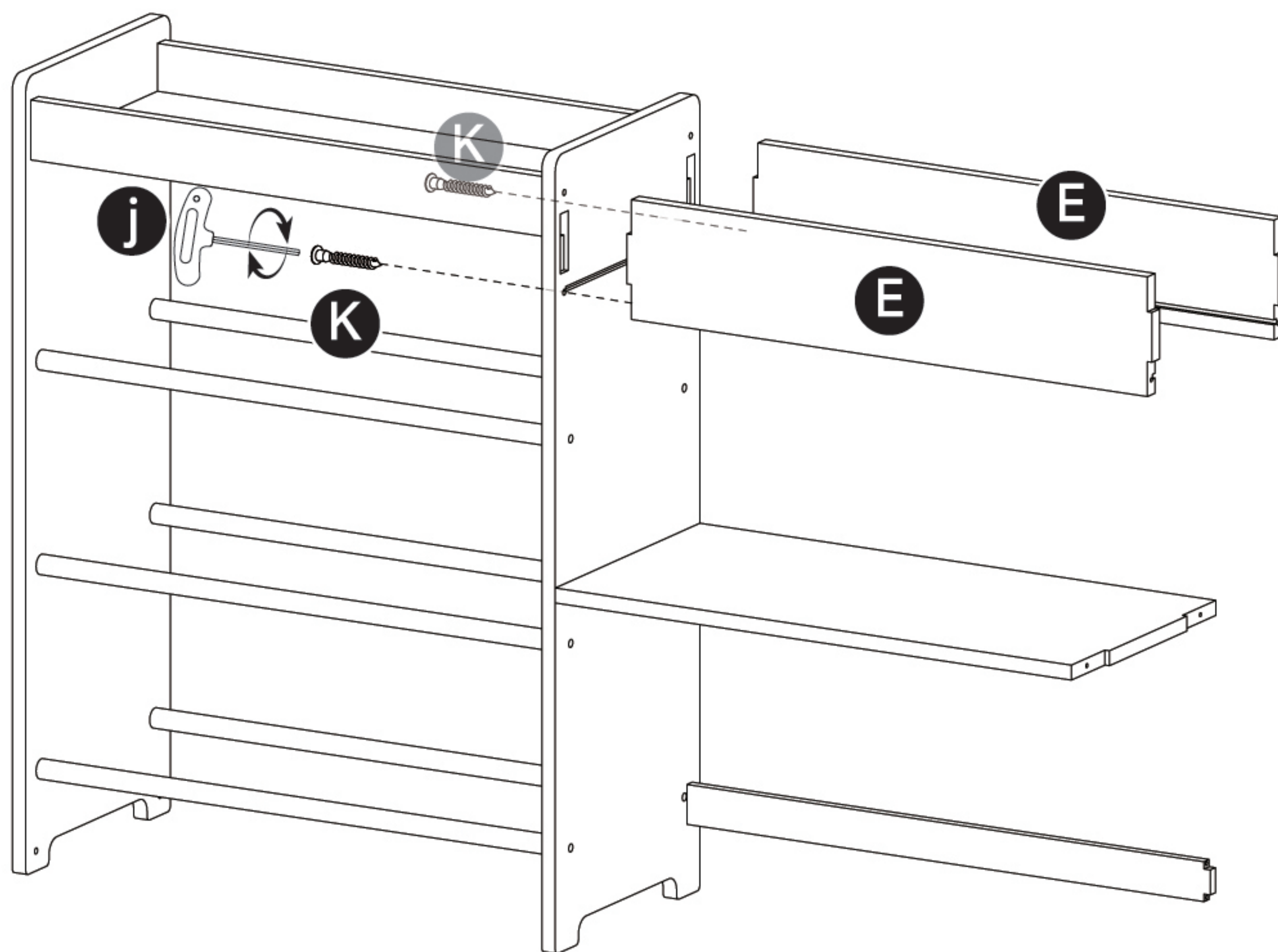


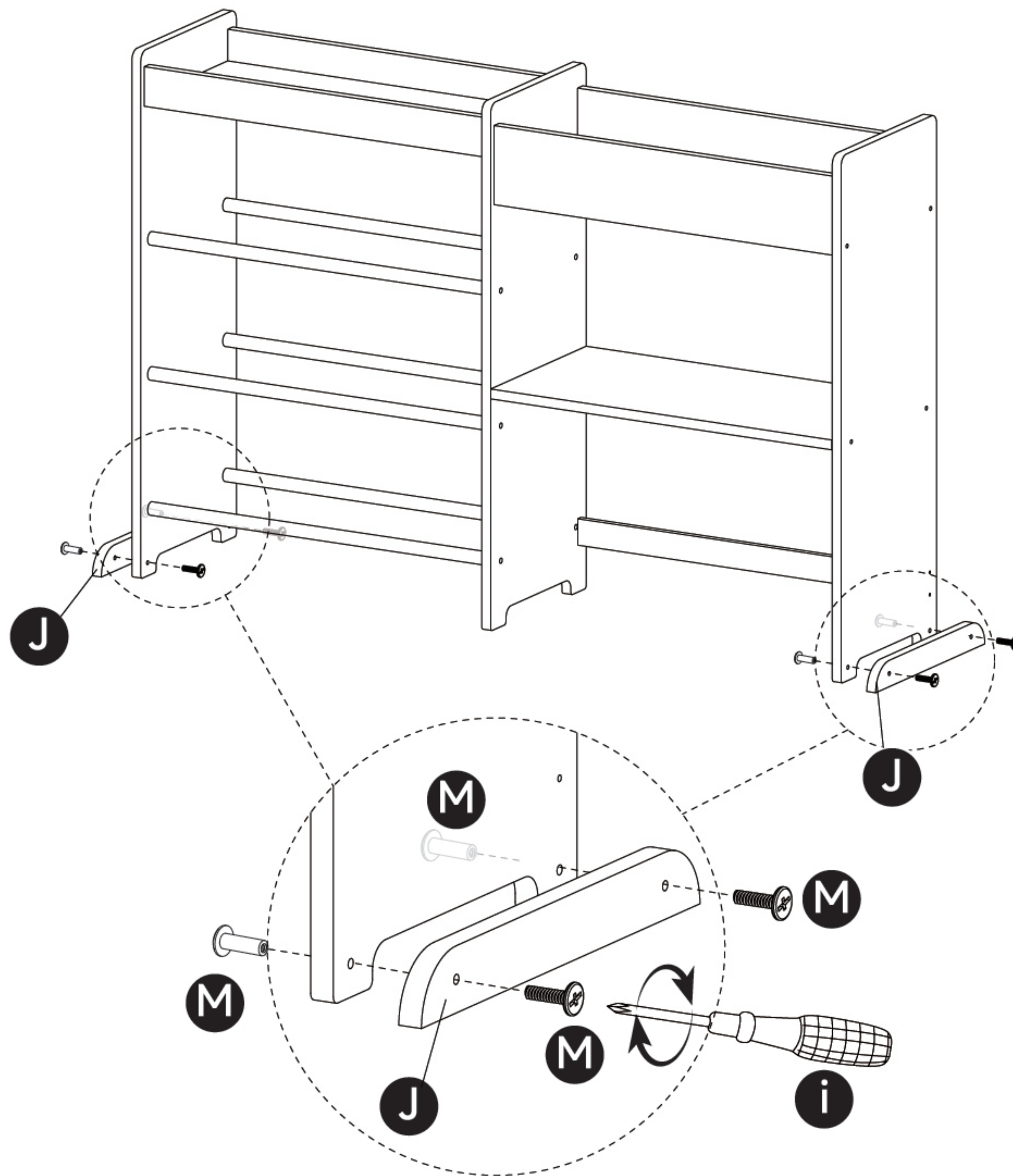
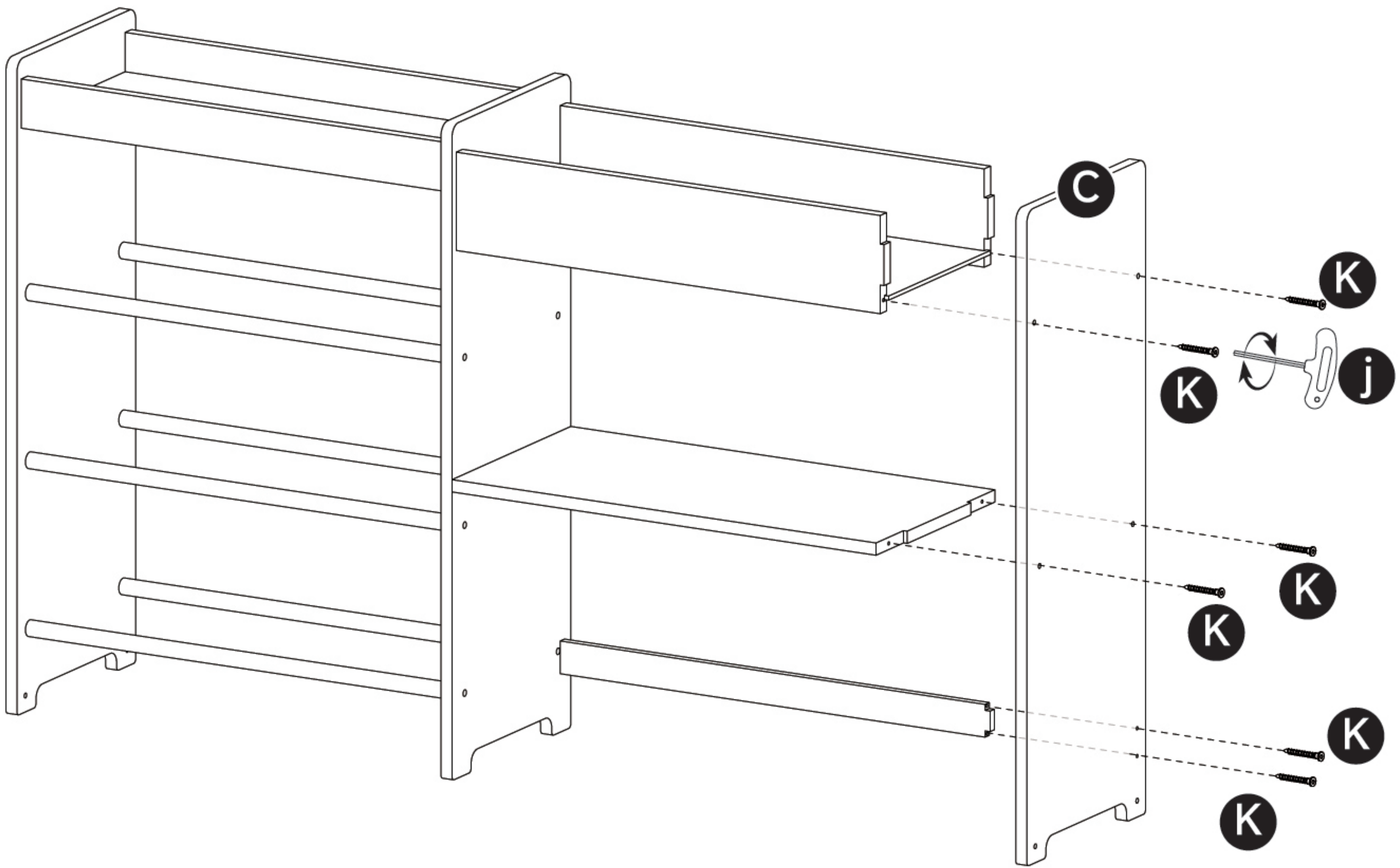




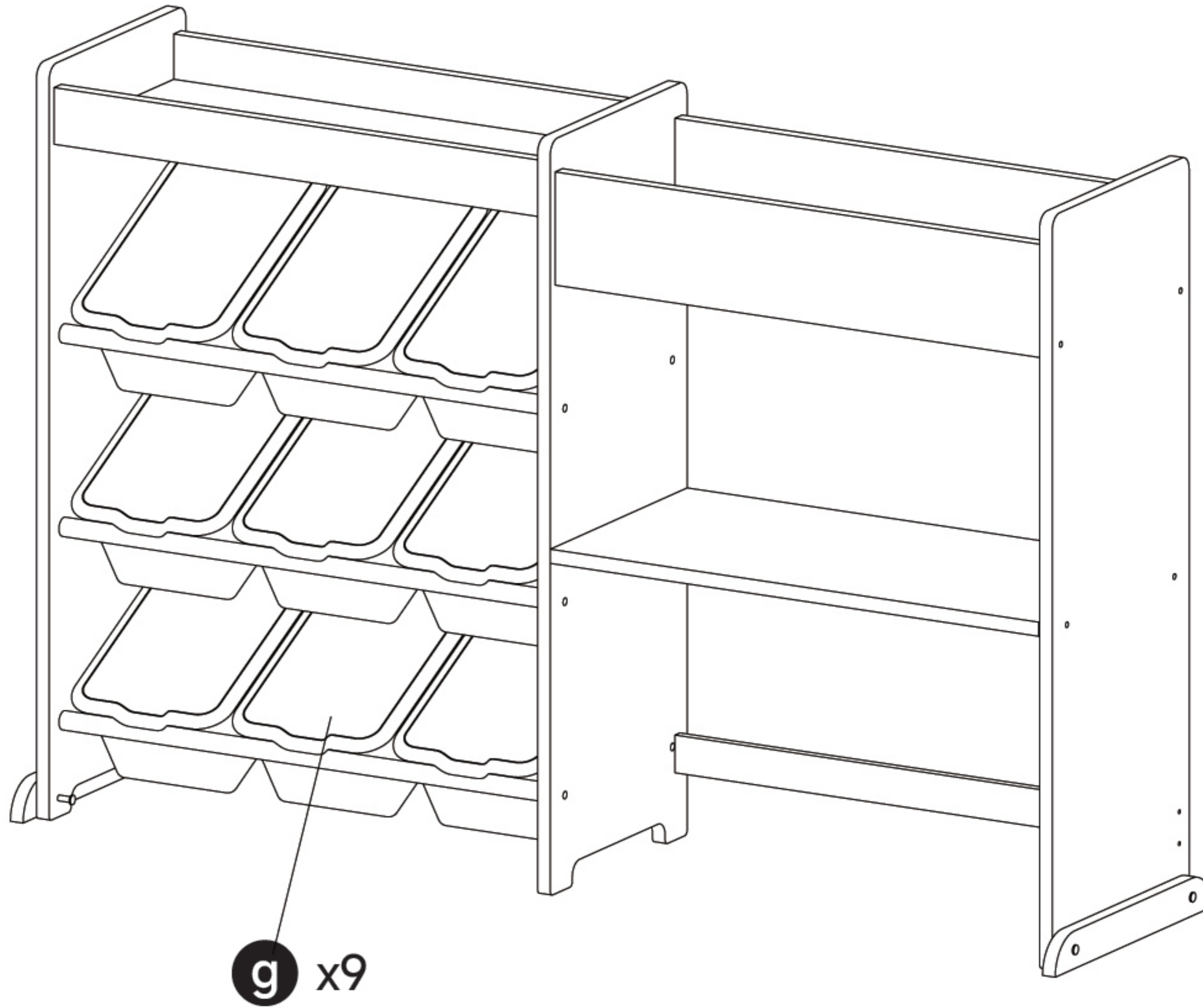
There is a gap facing outward



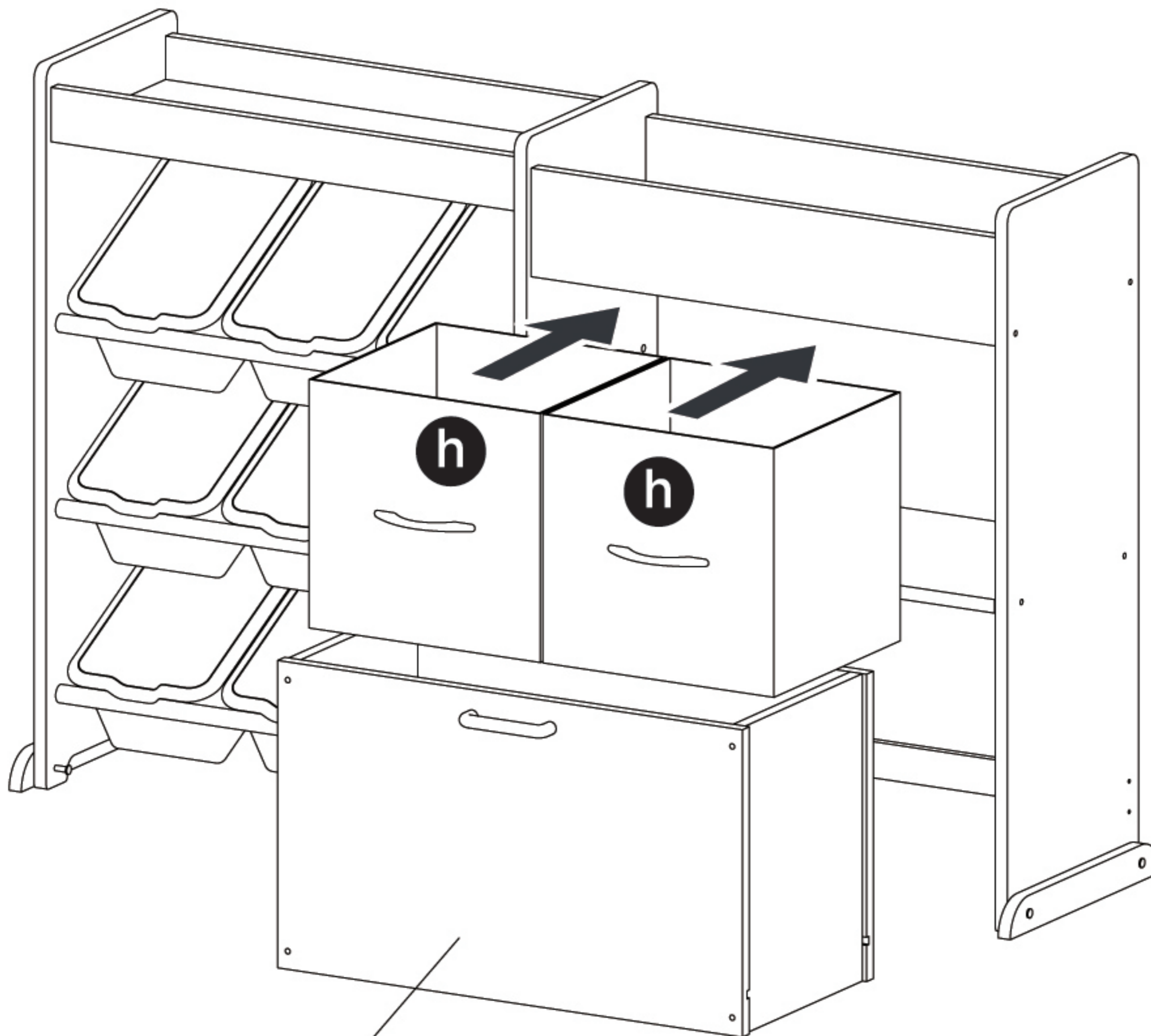




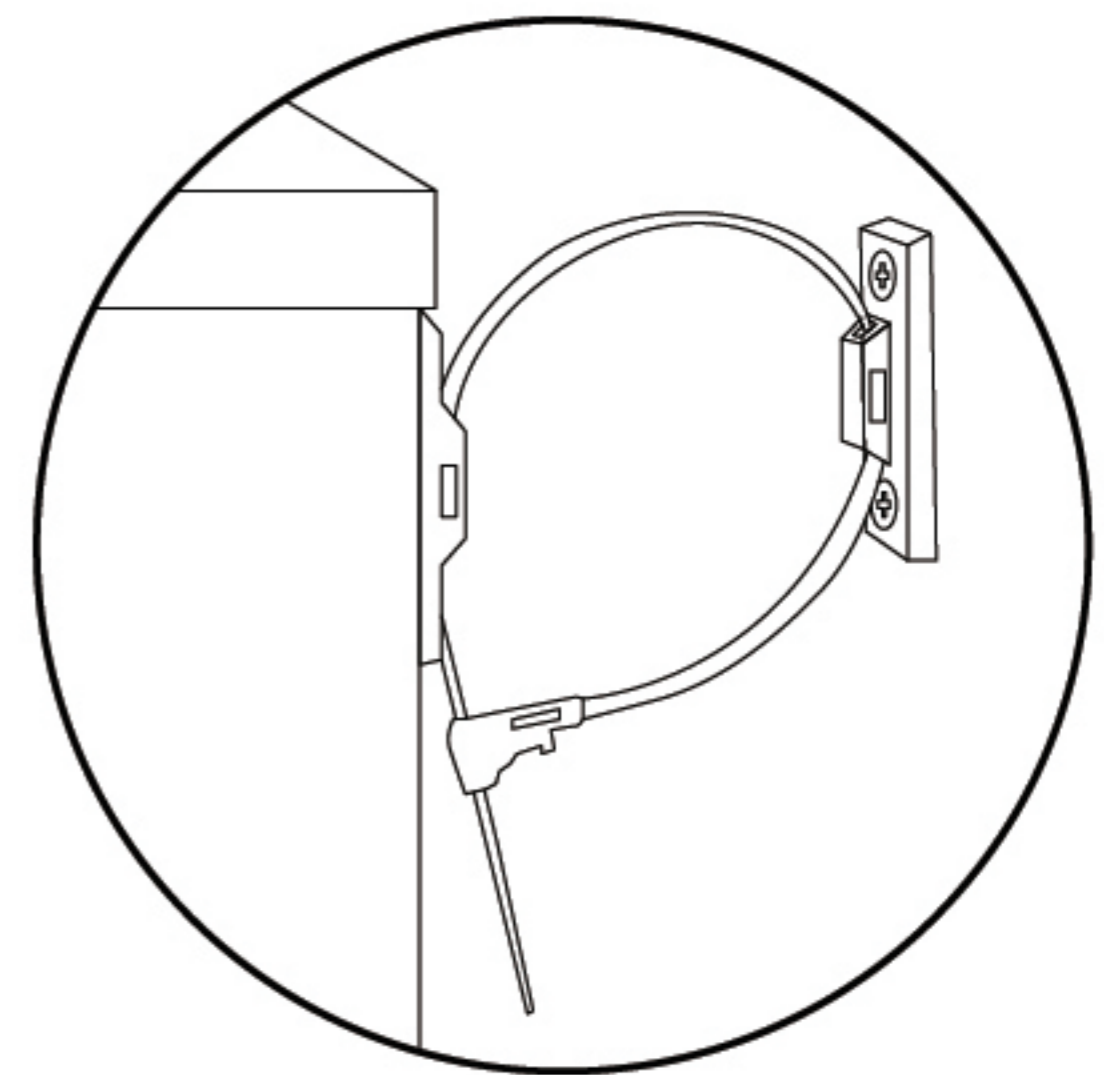
13



14



Step 3 Completed



Install anti-tip ties on the wall and on the product.

