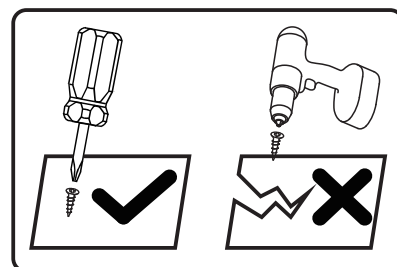
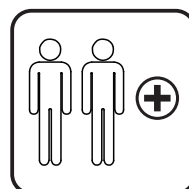
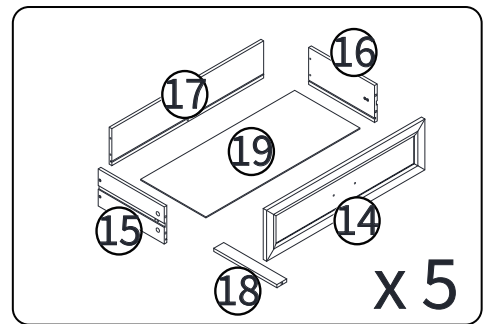
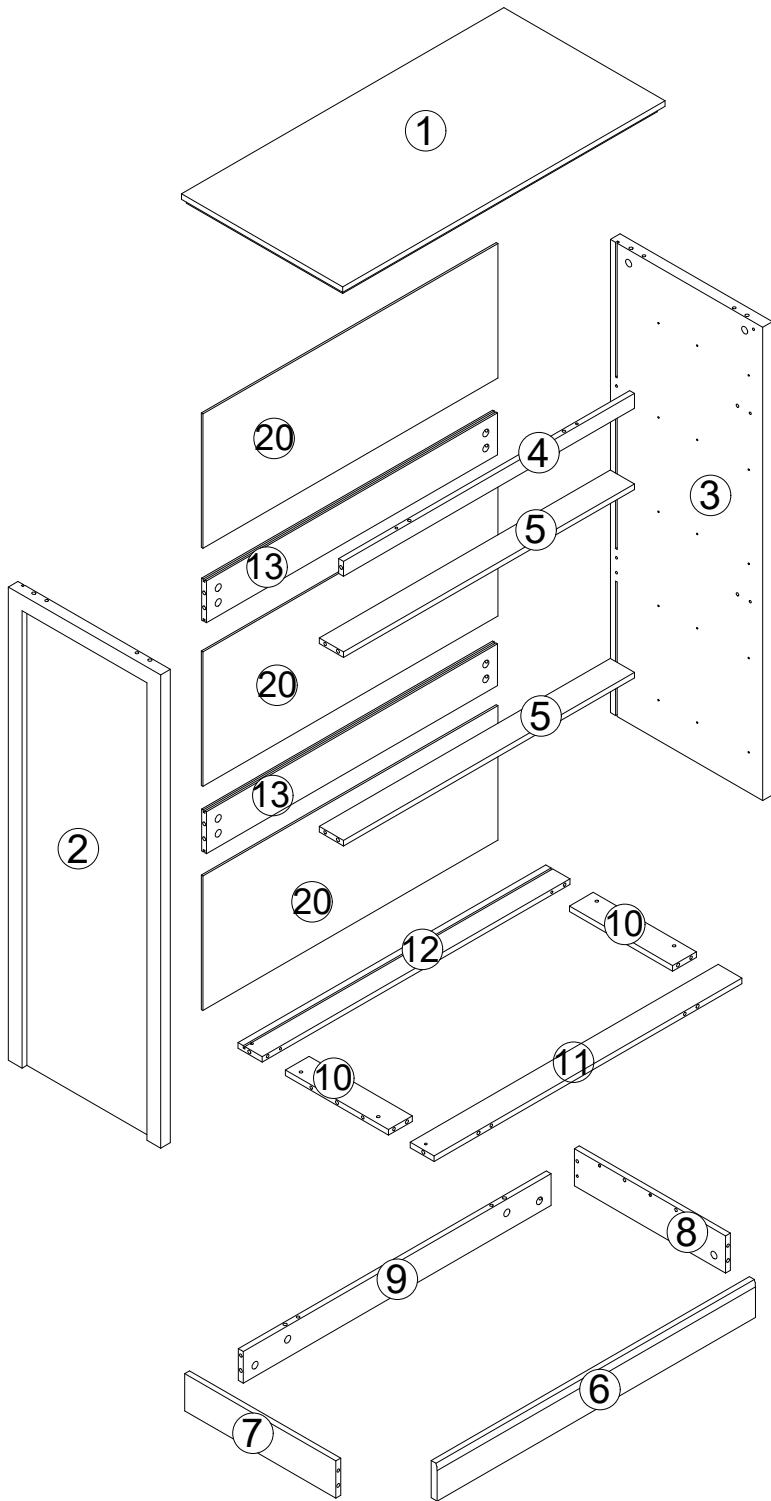


# ASSEMBLY INSTRUCTIONS

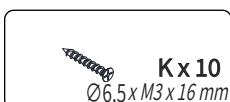
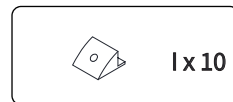
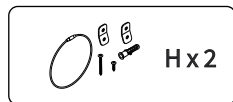
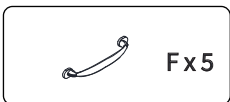
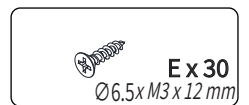
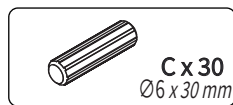


## Tools Recommended

THIS INSTRUCTIONS CONTAINS IMPORTANT SAFETY INFORMATION.  
PLEASE READ BEFORE ASSEMBLY AND KEEP FOR FUTURE REFERENCE.

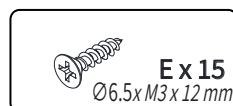
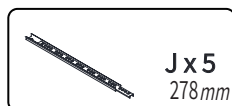
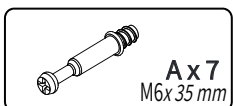
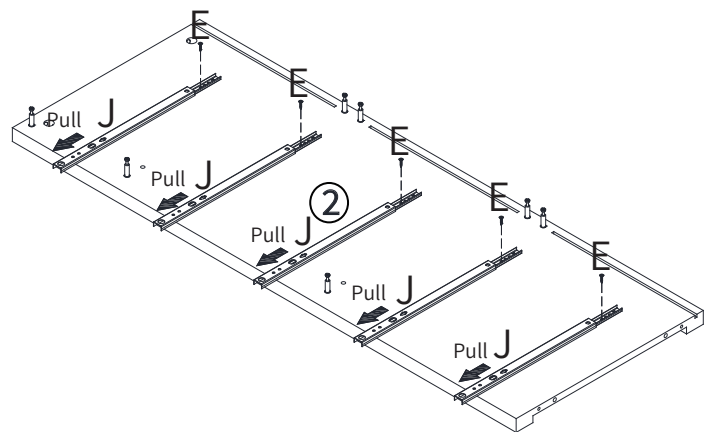
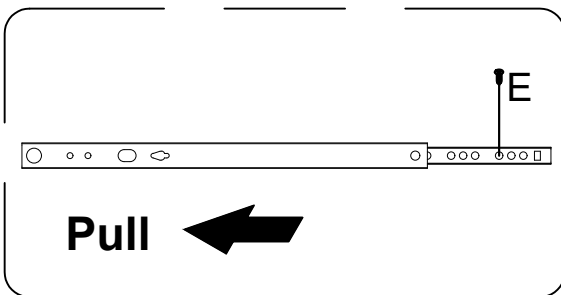
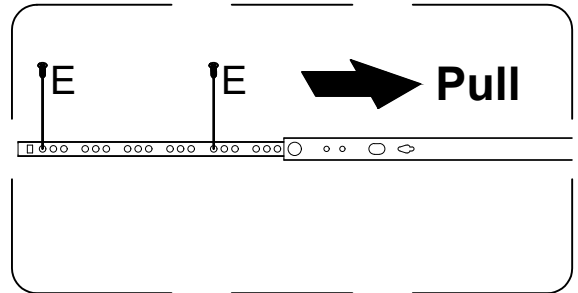
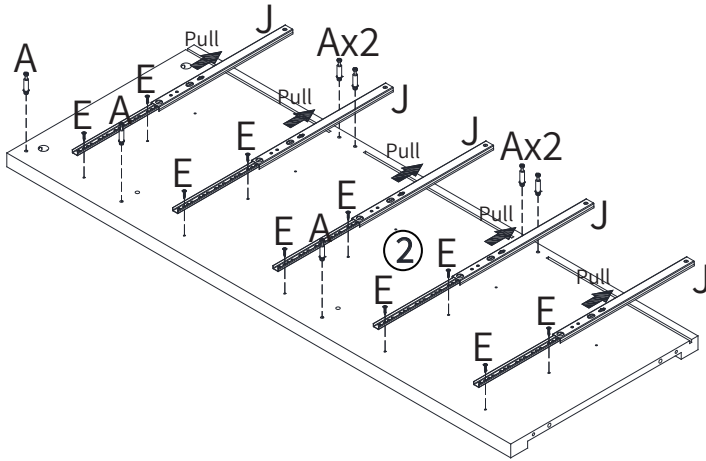


The installation direction should be aligned with the instructions to prevent plate breakage caused by product tipping during installation.



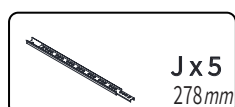
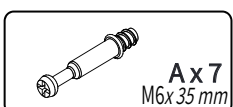
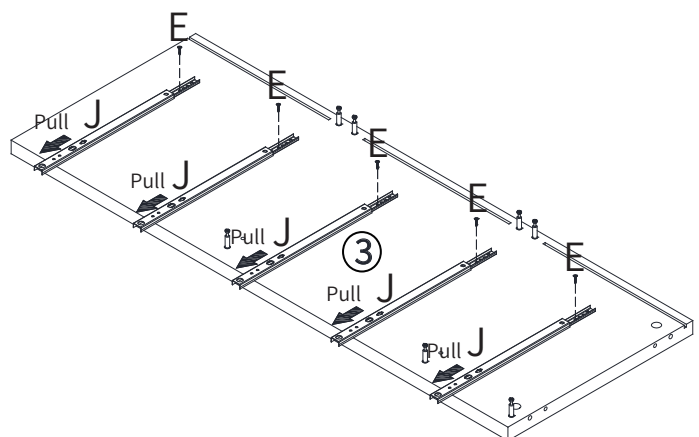
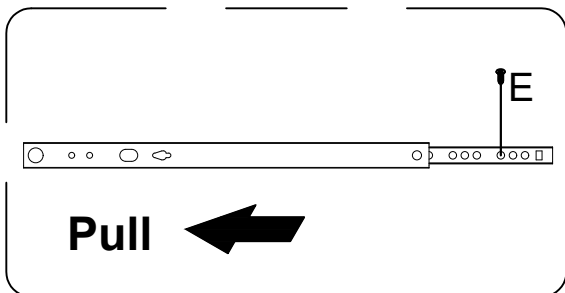
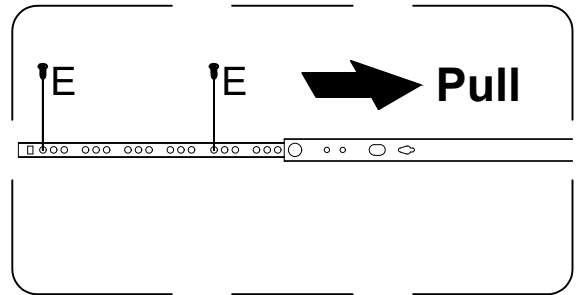
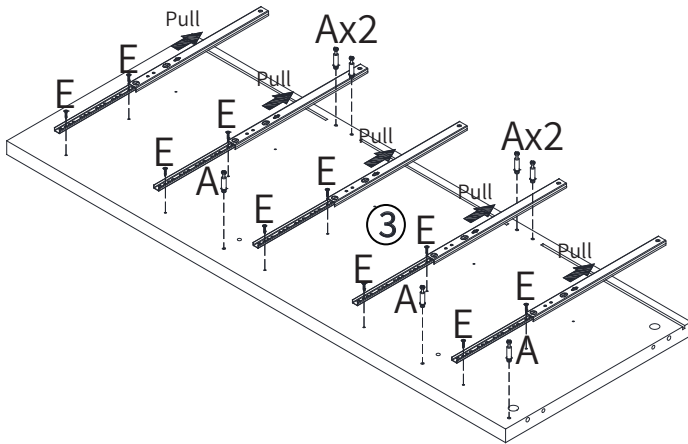
# Step 1

Insert quickfit screws(A) into corresponding holes in part ② as shown.  
Fix left outer drawer runner(J) parts ② using screws (E),as shown.



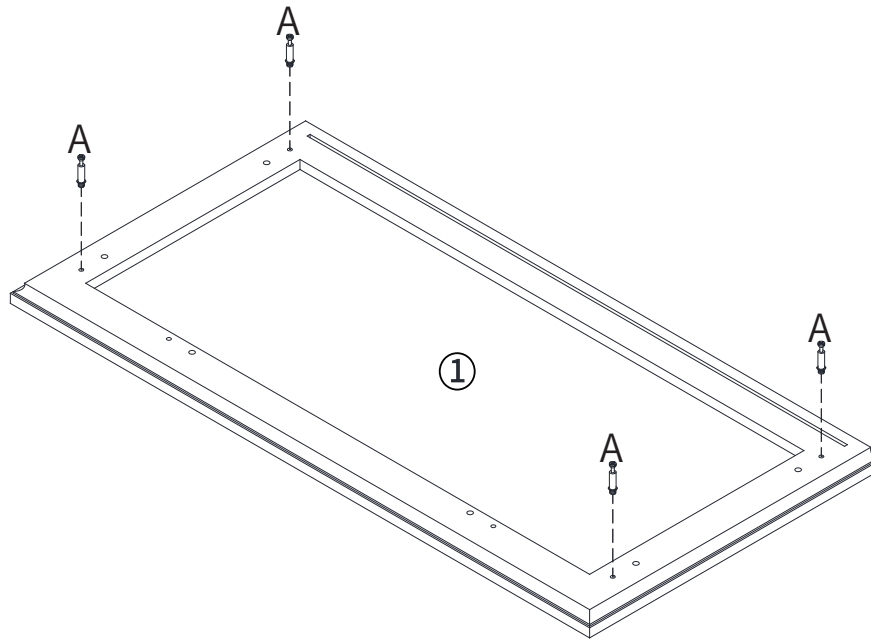
## Step 2

Insert quickfit screws(A) into corresponding holes in part ③ as shown.  
 Fix left outer drawer runner(J) parts ③ using screws (E),as shown.



## Step 3

Insert quickfit screws(A) into corresponding holes in part ① as shown.

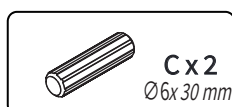
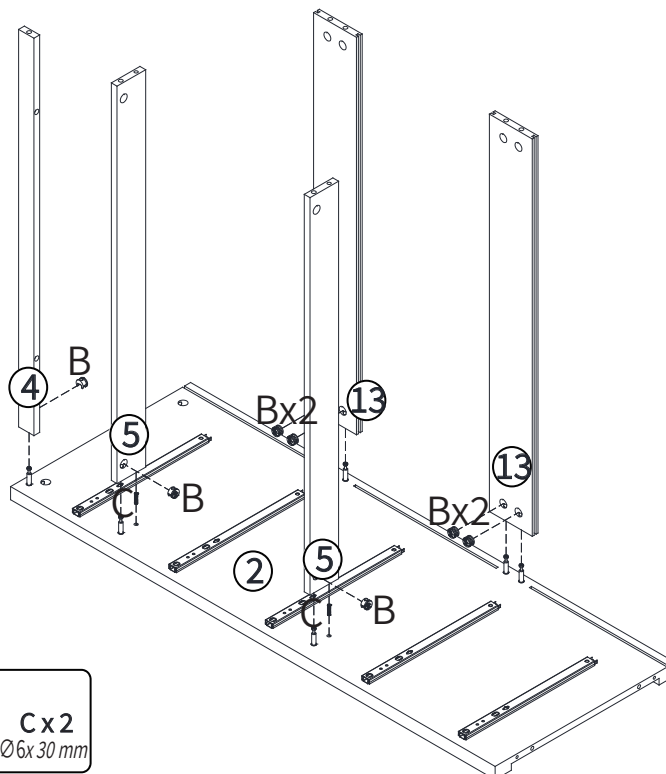
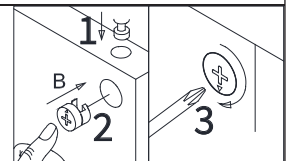


## Step 4

As shown in the figure, first put the cork (C) into part ②

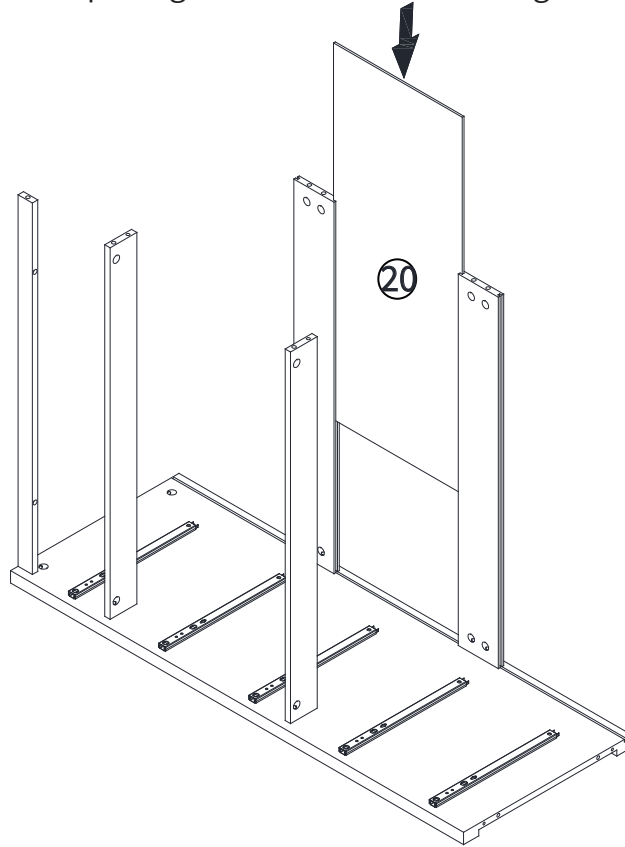
Then connect part ② to ④, ⑤, ⑬.

Finally, place the eccentric (B) in the pre-drilled hole and tighten it with a screwdriver



## Step 5

Insert the part ⑳ into the backplate groove as shown in the figure

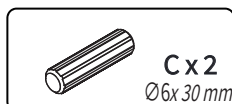
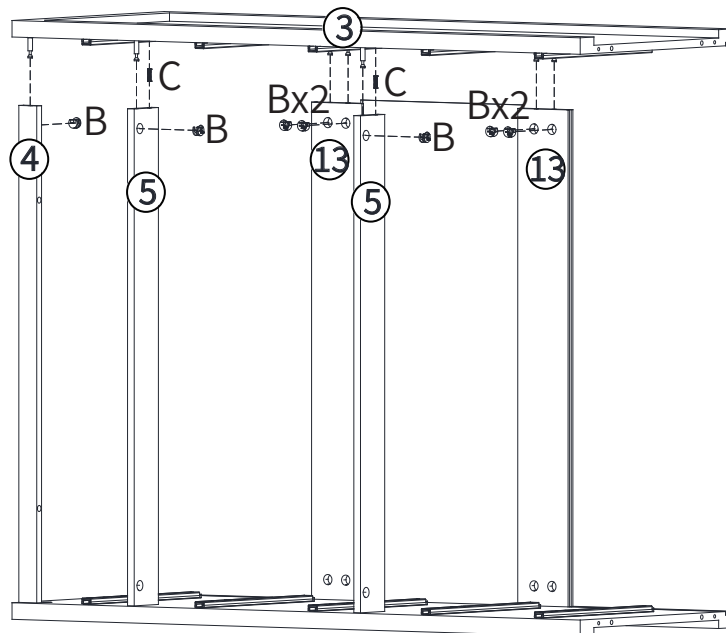
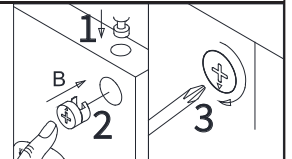


## Step 6

As shown in the figure, first put the cork (C) into part ③

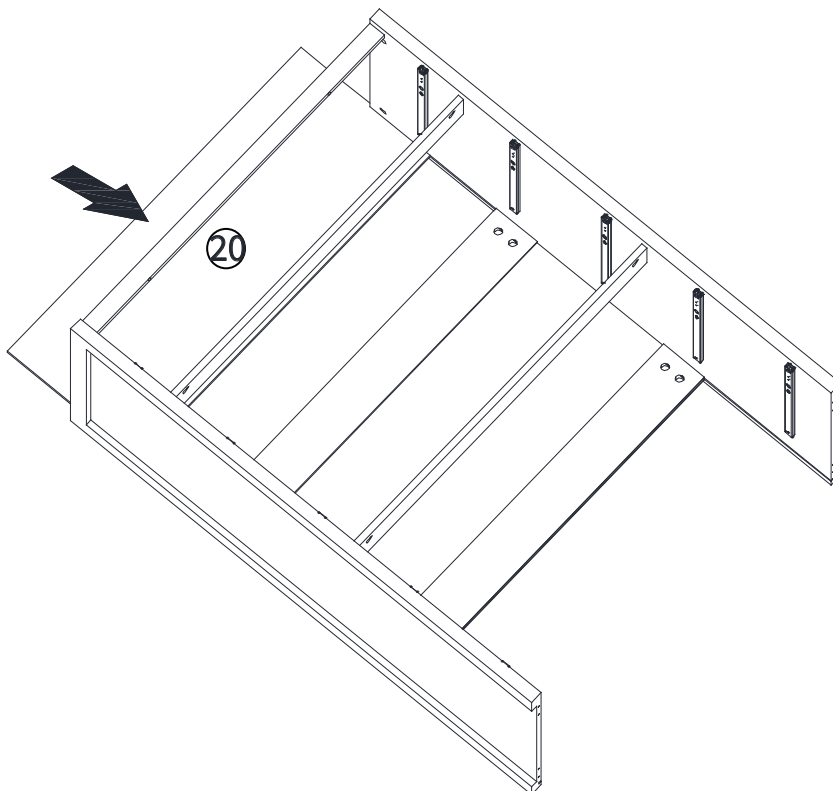
Then connect part ③ to ④, ⑤, ⑬.

Finally, place the eccentric (B) in the pre-drilled hole and tighten it with a screwdriver



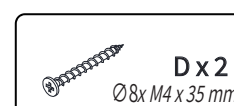
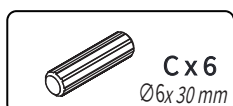
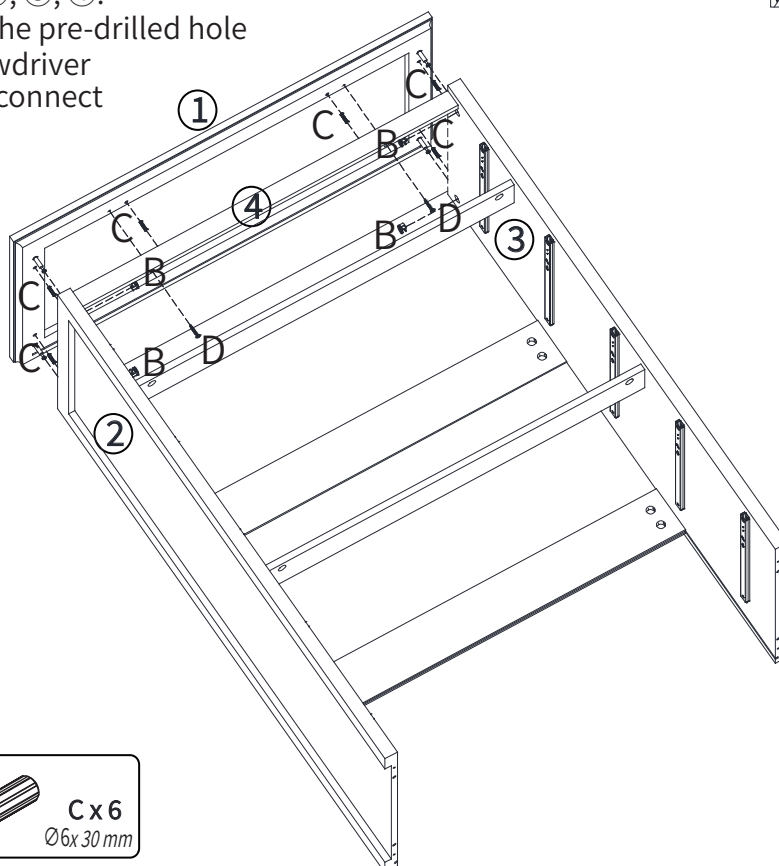
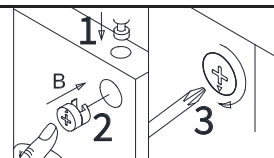
## Step 7

Insert the part ⑳ into the backplate groove as shown in the figure



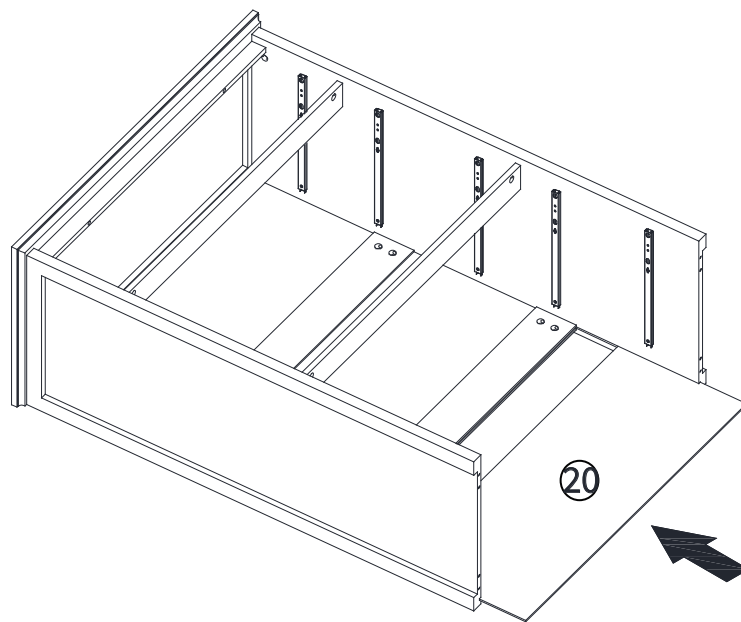
## Step 8

As shown in the figure, first put the cork (C) into part ②, ③, ④  
Then connect part ① to ②, ③, ④.  
place the eccentric (B) in the pre-drilled hole  
and tighten it with a screwdriver  
Finally, use screws (D) to connect  
parts ① to ④.



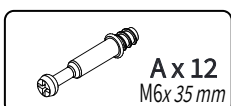
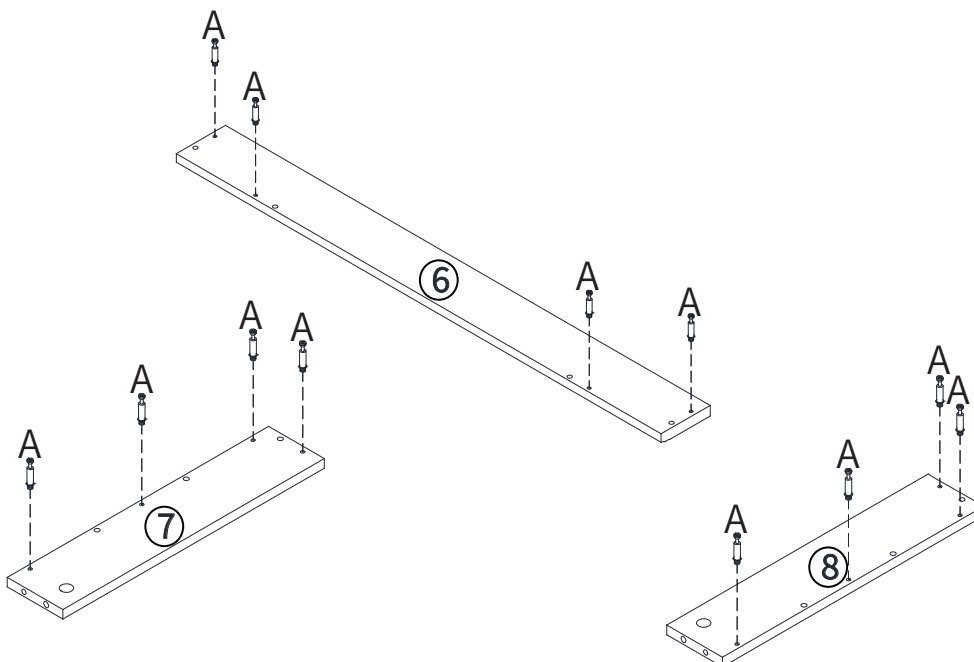
## Step 9

Insert the part ⑳ into the backplate groove as shown in the figure



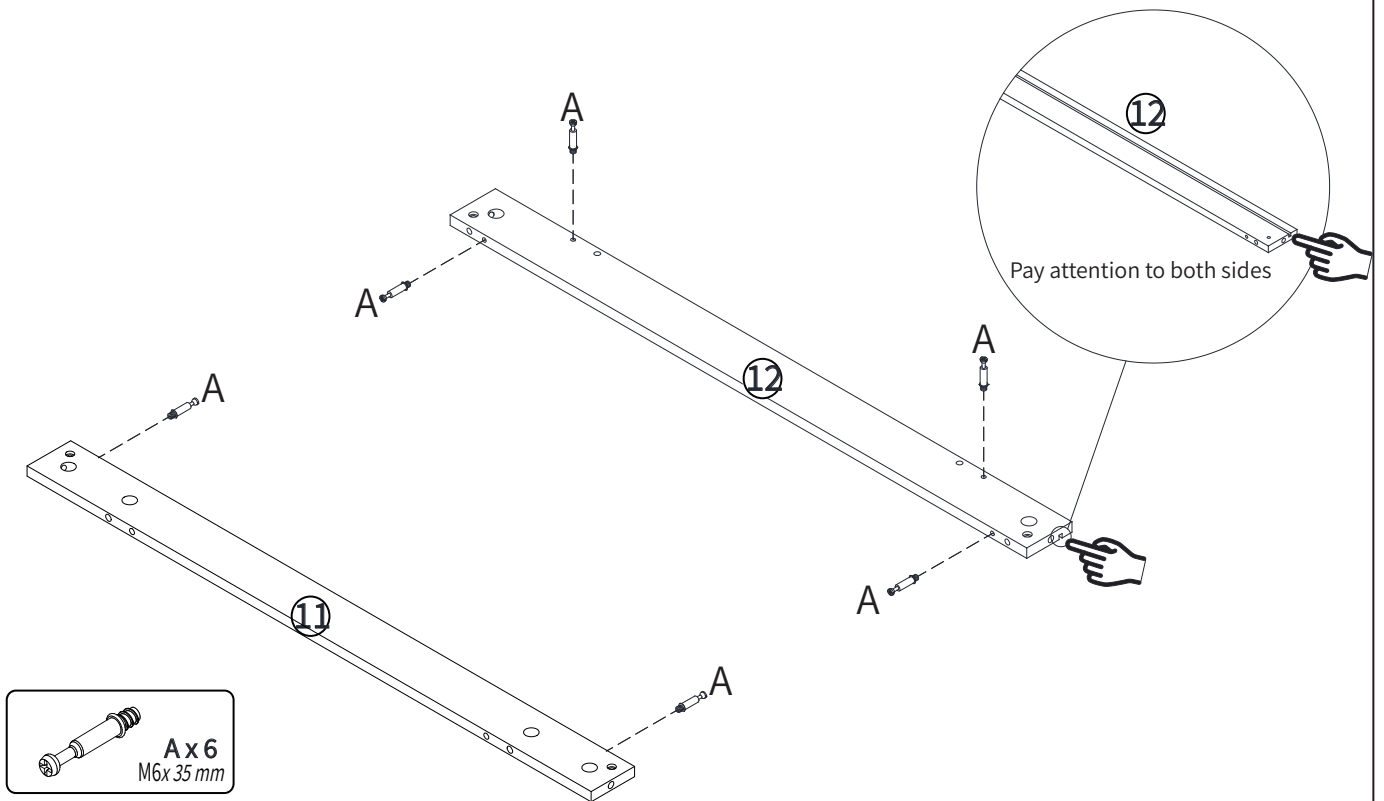
## Step 10

Insert quickfit screws(A) into corresponding holes in part ⑥ and ⑦ and ⑧ as shown.



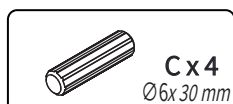
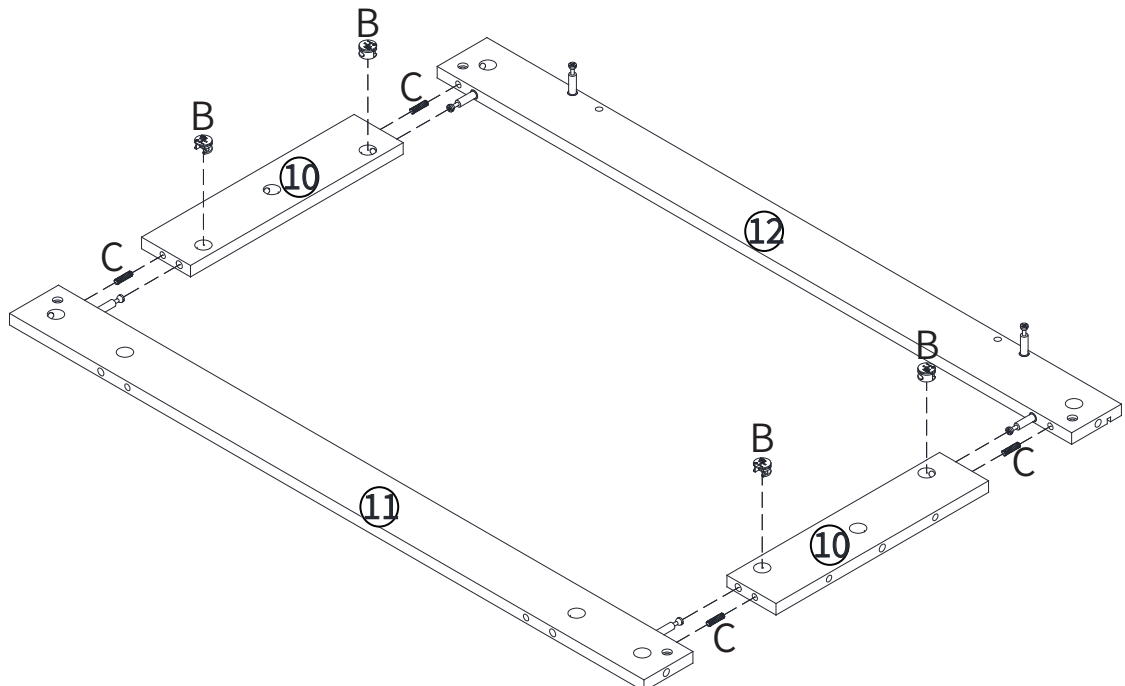
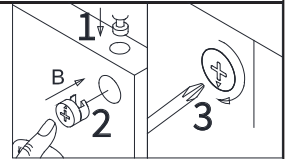
## Step 11

Insert quickfit screws(A) into corresponding holes in part ⑪ and ⑫ as shown.



## Step 12

As shown in the figure, first put the cork (C) into the two Parts ⑩, and then connect part ⑩ and parts ⑪ and ⑫. Finally, place the eccentric (B) in the pre-drilled hole and tighten it with a screwdriver.

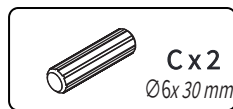
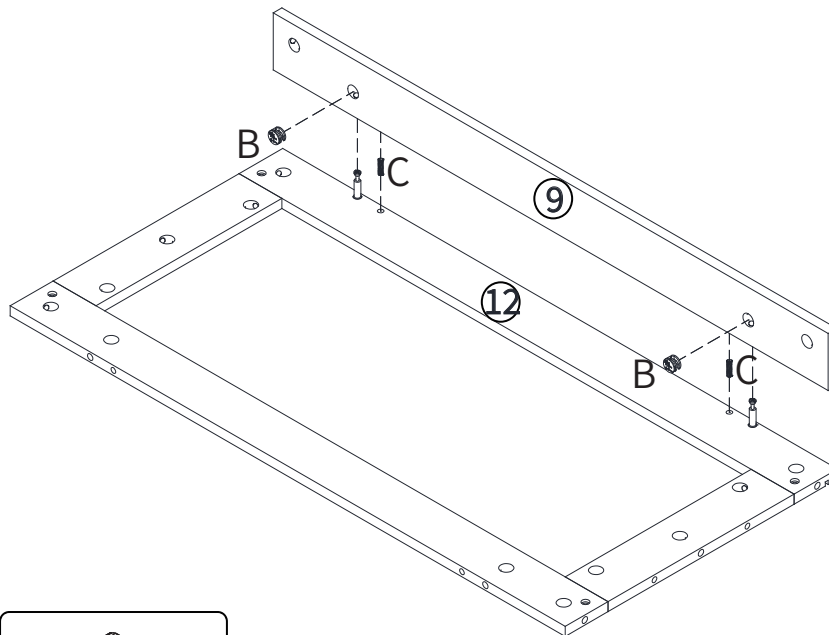
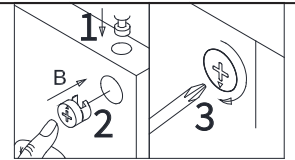


## Step 13

As shown in the figure, first put the cork (C) into part ⑫

Then connect part ⑨ and ⑫.

Finally, place the eccentric (B) in the pre-drilled hole and tighten it with a screwdriver

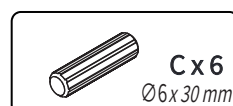
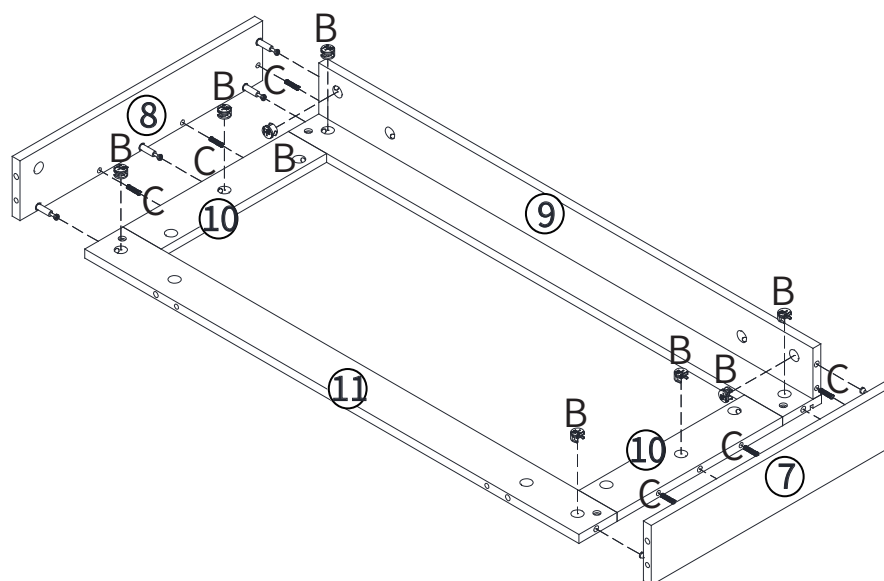
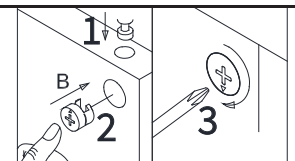


## Step 14

As shown in the figure, first put the cork (C) into part ⑦, ⑧

Then connect parts ⑦, ⑧ and ⑨, ⑩, ⑪.

Finally, place the eccentric (B) in the pre-drilled hole and tighten it with a screwdriver

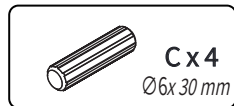
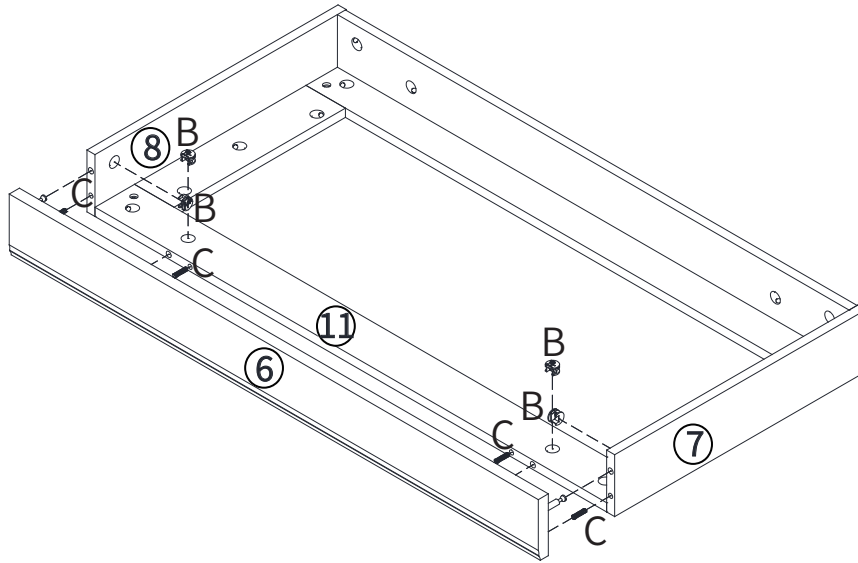
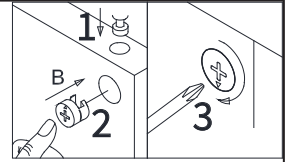


## Step 15

As shown in the figure, first put the cork (C) into part ⑦, ⑧, ⑪

Then connect part ⑥ and ⑦, ⑧, ⑪.

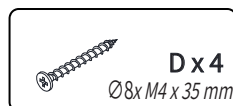
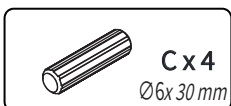
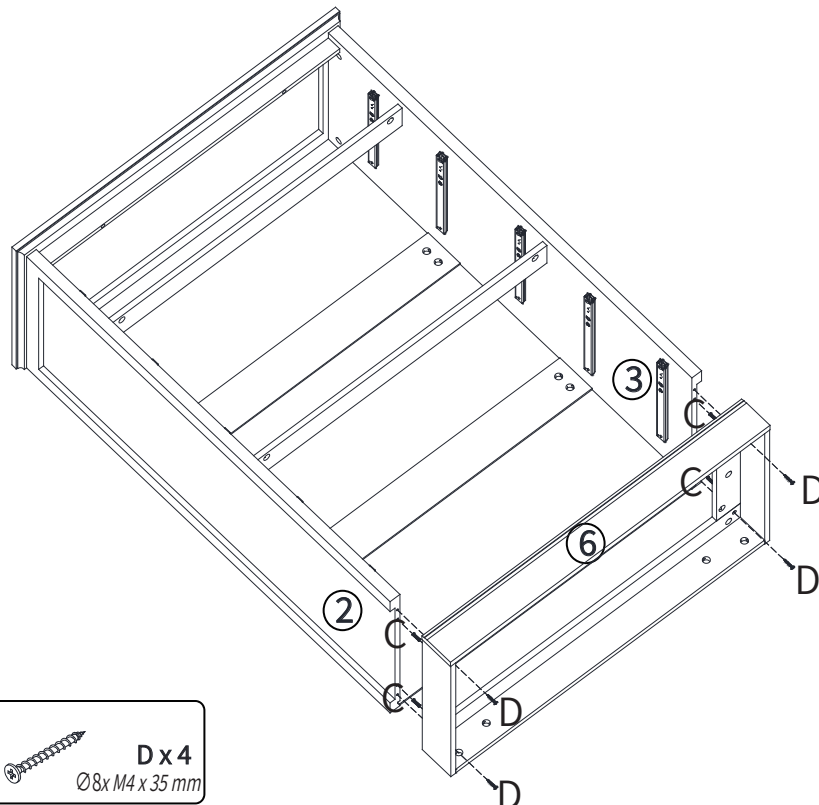
Finally, place the eccentric (B) wheel in the pre-drilled hole and tighten it with a screwdriver



## Step 16

As shown in the figure, First put the cork (C) in part ② and ③

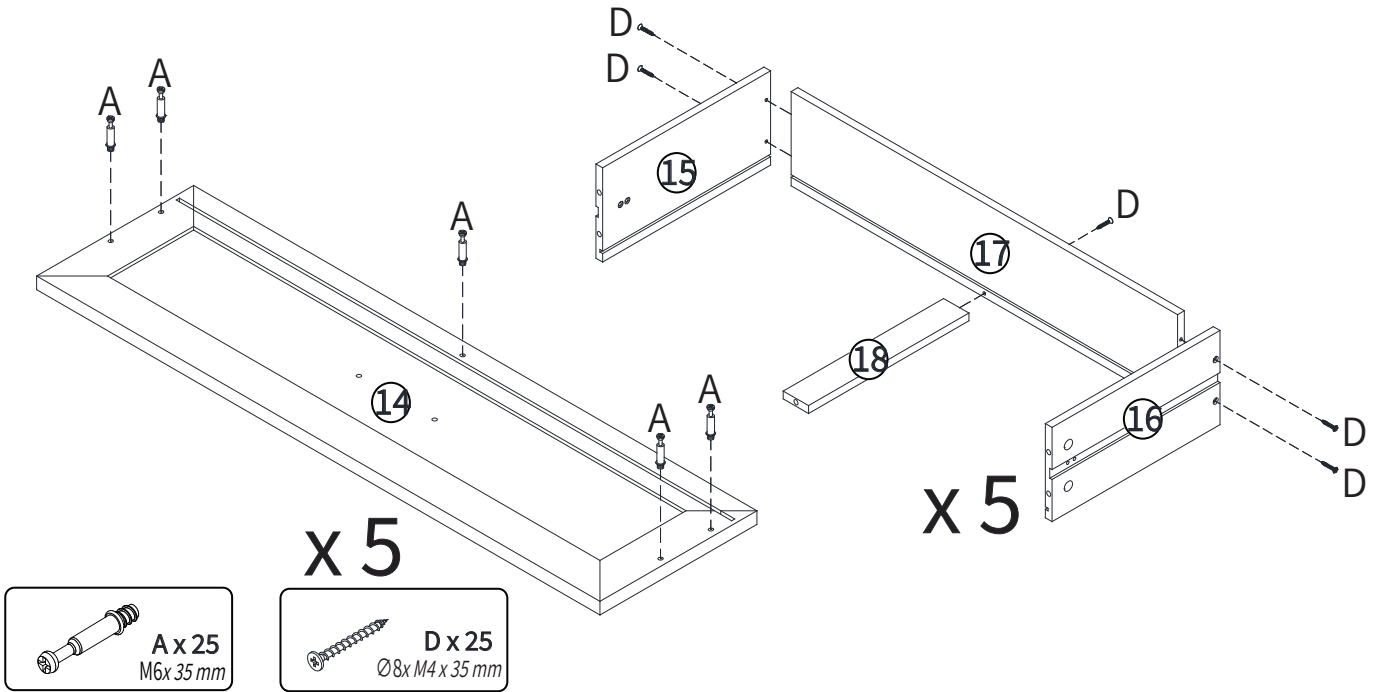
Then use screws (D) to connect parts ⑥ and ②, ③



## Step 17

Insert quickfit screws(A) into corresponding holes in part ⑭ as shown.

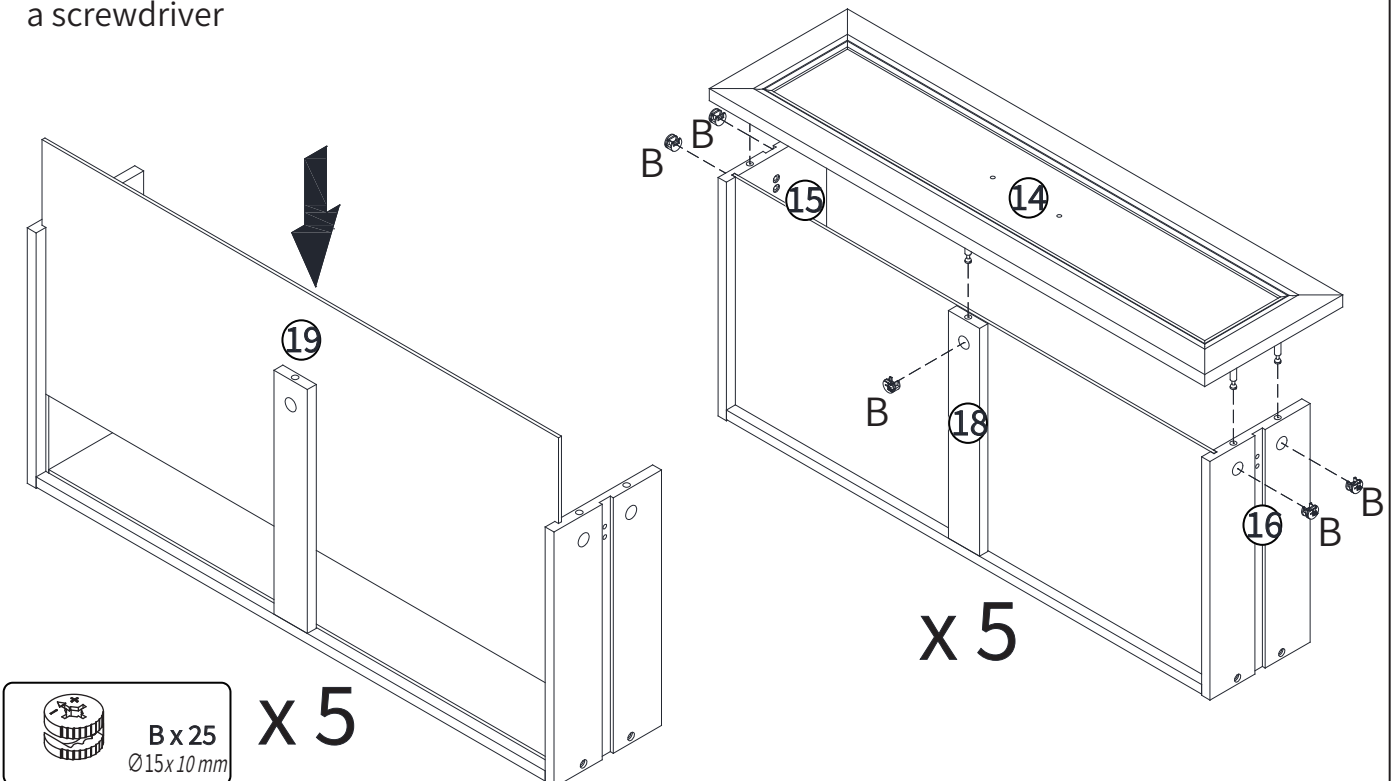
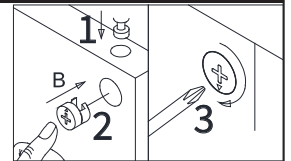
As shown in the figure, the plate ⑮ ⑯ ⑰ ⑱ is connected and fixed with screw (D).



## Step 18

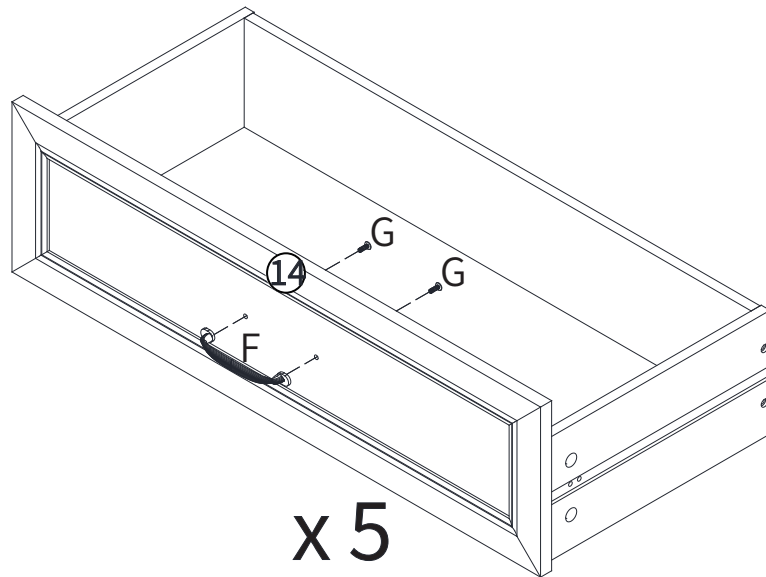
As shown in the figure, the plate piece ⑲ is inserted into the drawer side plate groove. Then connect part ⑭ to ⑮, ⑯, ⑱.

Finally, place the eccentric(B) wheel in the pre-drilled hole and tighten it with a screwdriver



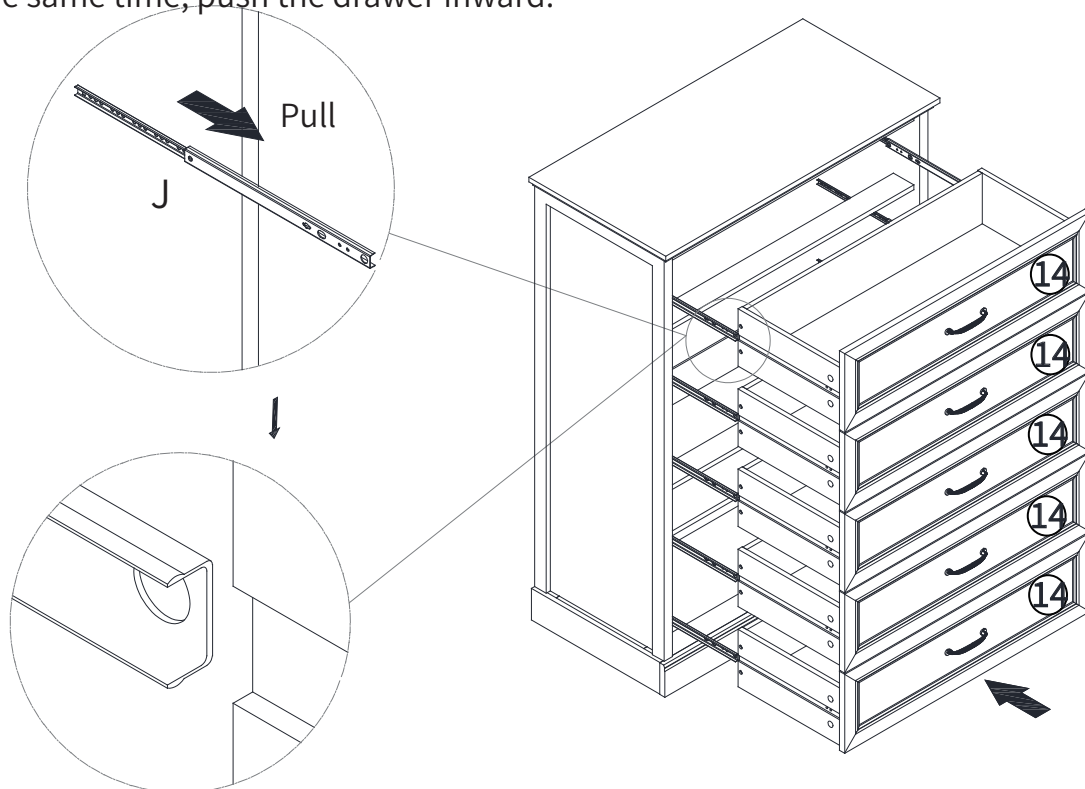
## Step 19

As shown in the figure, fix the handle (F) with screw (G) on part ⑭



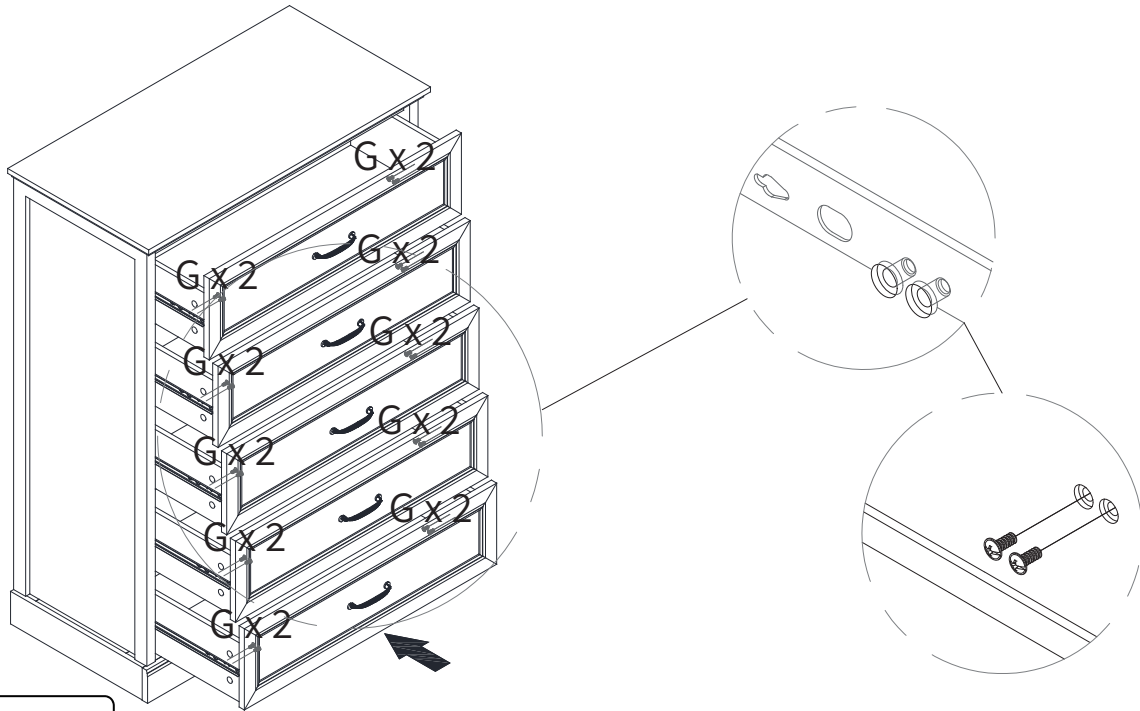
## Step 20

As shown in the figure, slide the slide rail in the direction of the arrow to the farthest position. As shown in the picture, after confirming that the sliding rails on both sides are close to the slot at the same time, push the drawer inward.



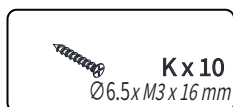
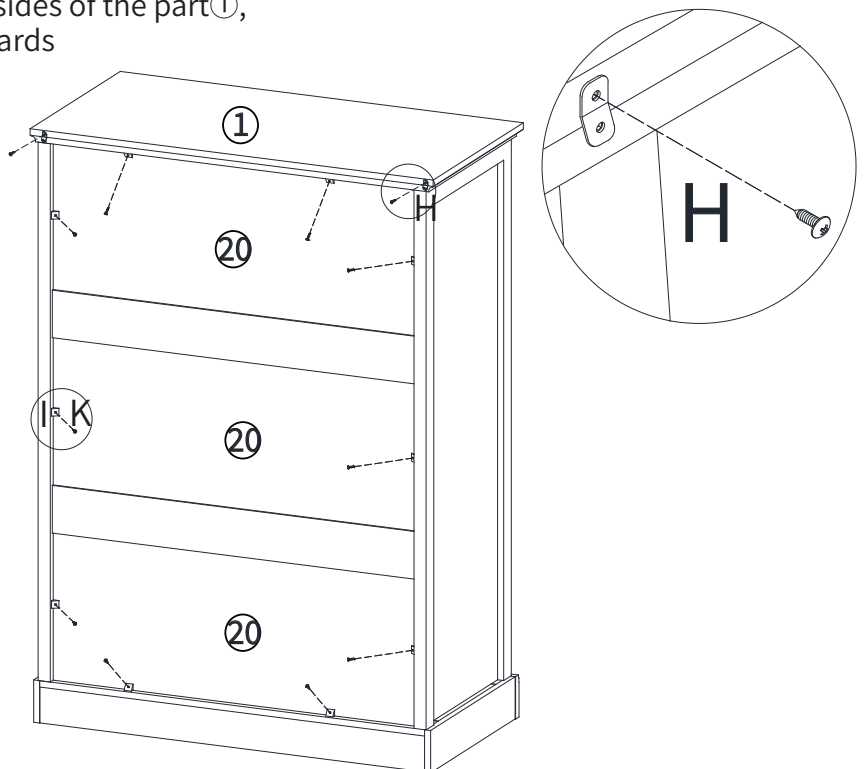
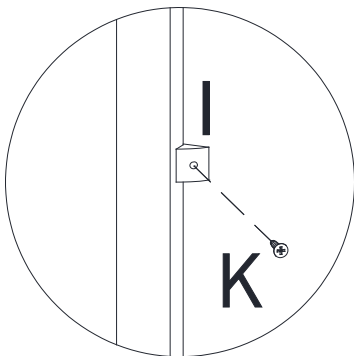
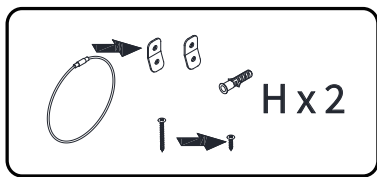
## Step 21

Align the panel holes with the guide rail holes and secure them with screws (G).  
The installation position is as shown below.



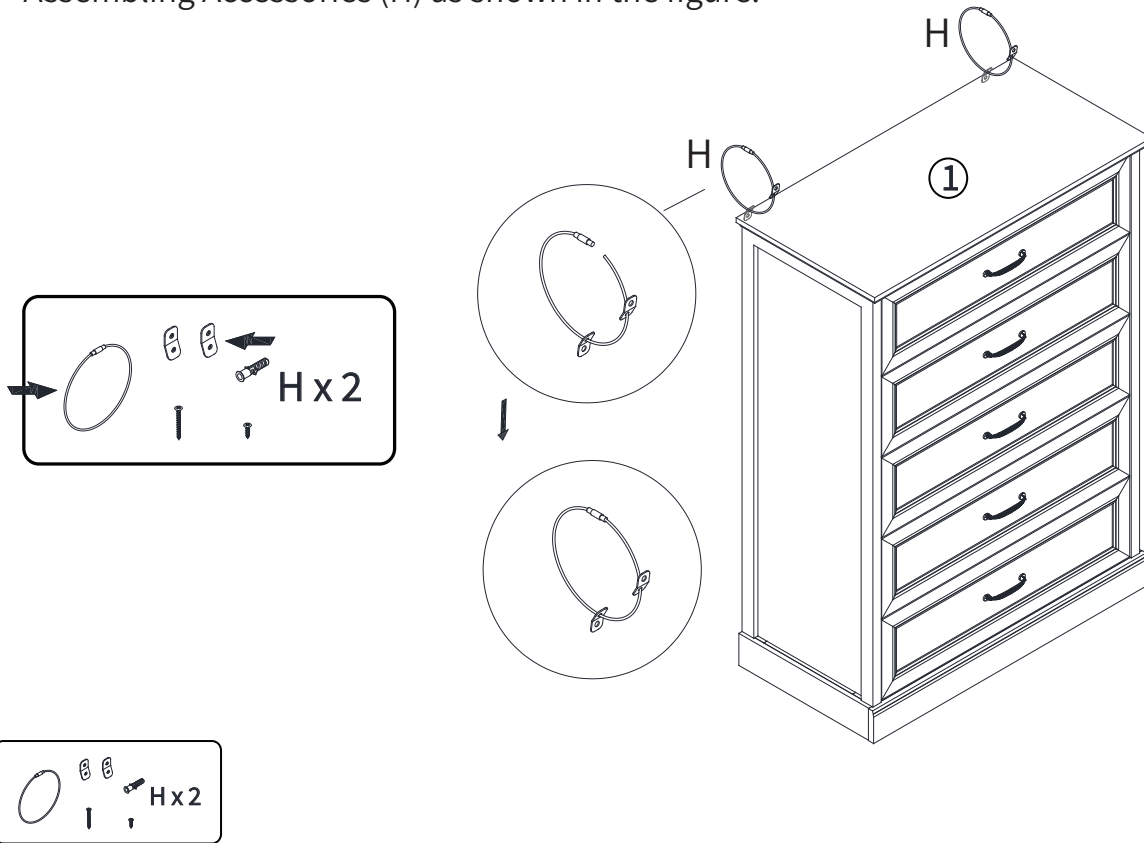
## Step 22

As shown in the picture, using screws (K), attach the back plate brackets (I) to the back of the product.  
Install the anti-tip straps (H) on both sides of the part ①,  
securing them to prevent tipping hazards



## Step 23

Assembling Accessories (H) as shown in the figure.



## Step 24

Install the anti-tilt fitting (H) as shown.

