

# ASSEMBLY INSTRUCTION FOR ACME FURNITURE

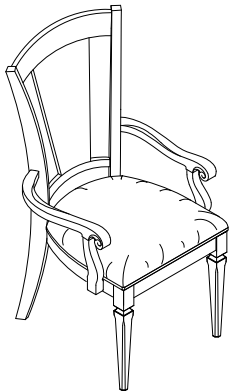
Model #DN02488

## DESCRIPTION: SPLAT BACK ARM CHAIR

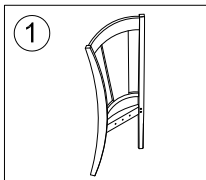
Thank you for purchasing this quality product. Be sure to check all packing materials carefully for small parts, which may have come loose inside the carton during shipment. Identify and count all parts and compare with the parts list below.

**\*\* Do not fully tighten screws until fully assembled \*\***

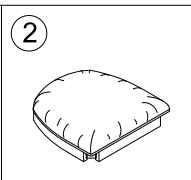
### PART LIST:



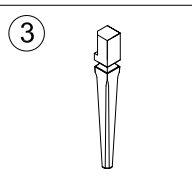
NO.	Drawing	Description	Q'ty
B		Bolt (Φ5/16"x2-1/4")	4pcs
C		Bolt (Φ5/16"x1-3/4")	3pcs
D		Flat washer(Ø5/16"x19mm)	11pcs
E		Spring washer (Ø5/16")	11pcs
F		Ø5/16" Wrench(12mm)	1pc
G		Wood screw Ø8x1-1/2"	2pcs



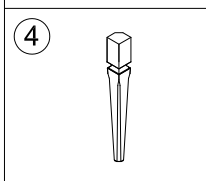
BACK FRAME: 1PC



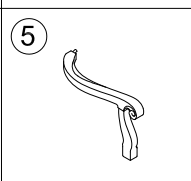
CUSHION SEAT: 1PC



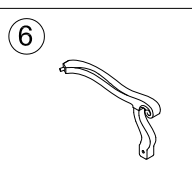
FRONT LEFT LEG: 1PC



FRONT RIGHT LEG: 1PC



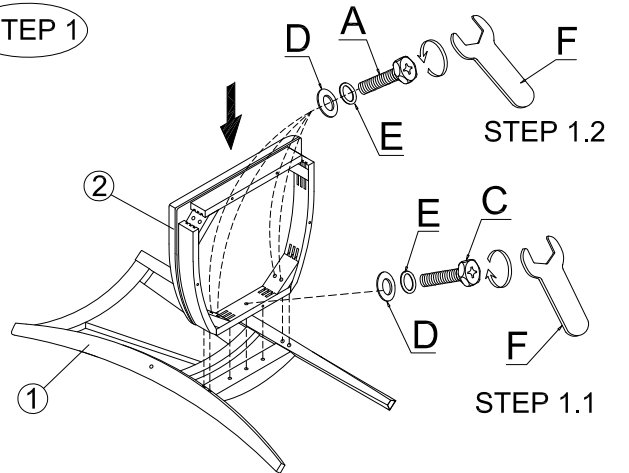
LEFT ARM: 1PC



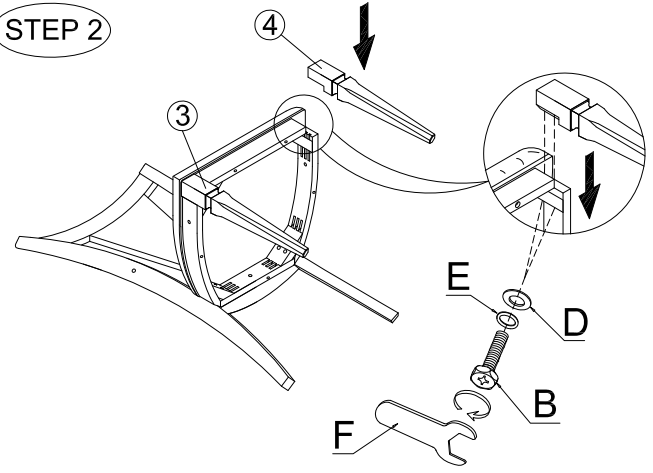
RIGHT ARM: 1PC

7			
HARDWARE LIST			
NO.	Drawing	Description	Q'ty
A		Bolt (Φ5/16"x3")	4pcs
B		Bolt (Φ5/16"x2-1/4")	4pcs
C		Bolt (Φ5/16"x1-3/4")	3pcs
D		Flat washer(Ø5/16"x19mm)	11pcs
E		Spring washer (Ø5/16")	11pcs
F		Ø5/16" Wrench(12mm)	1pc
G		Wood screw Ø8x1-1/2"	2pcs

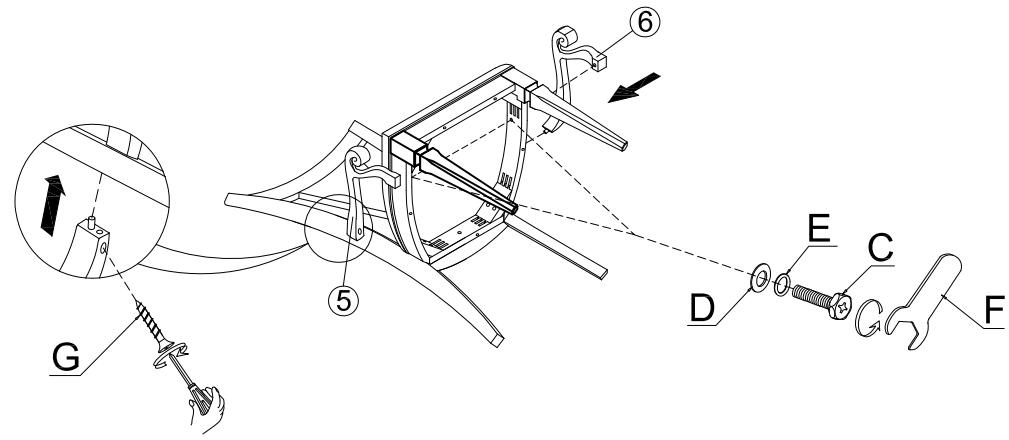
### STEP 1



### STEP 2



### STEP 3



### CLEANING INSTRUCTION

Clean the surface of the Splat Back Arm Chair with furniture polish and a soft cloth.  
Attention

\*\*\* Some number parts listed on the instruction sheet may not be in parts bag as they may be assembled. Carefully check parts and packing materials prior to ordering replacements.\*\*\*