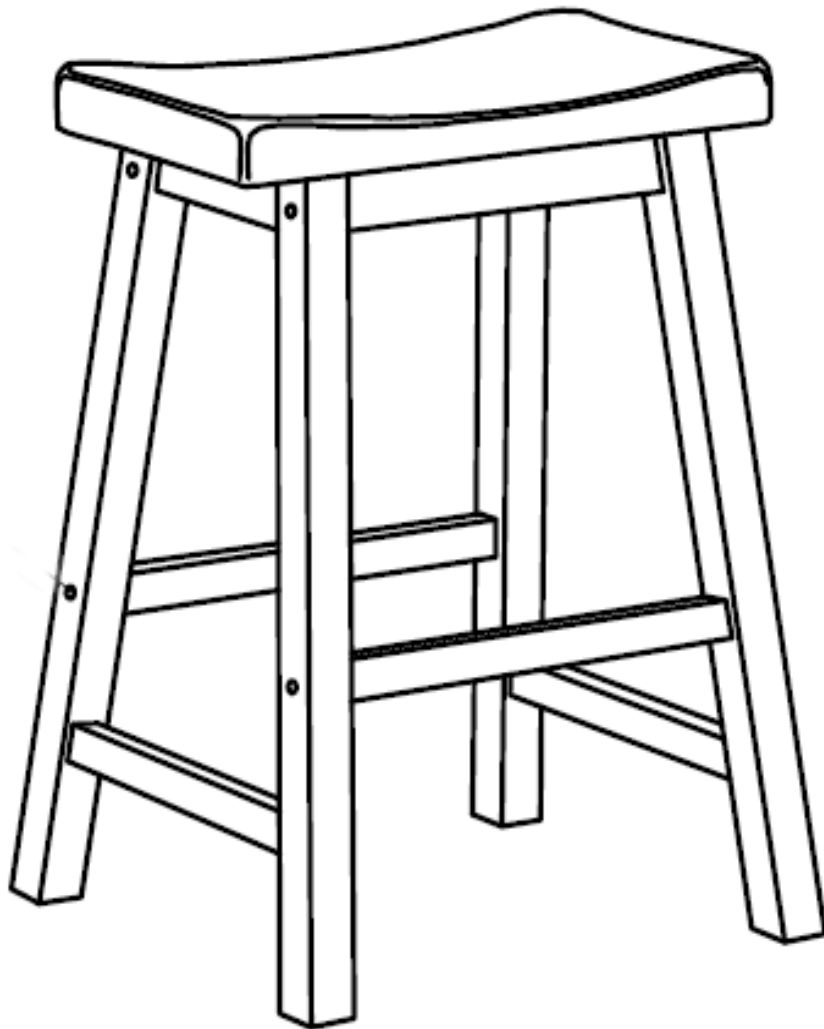



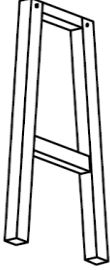

# Assembly Instructions

**Caution: You must read this before you proceed.**




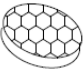
## Stool



## Parts List

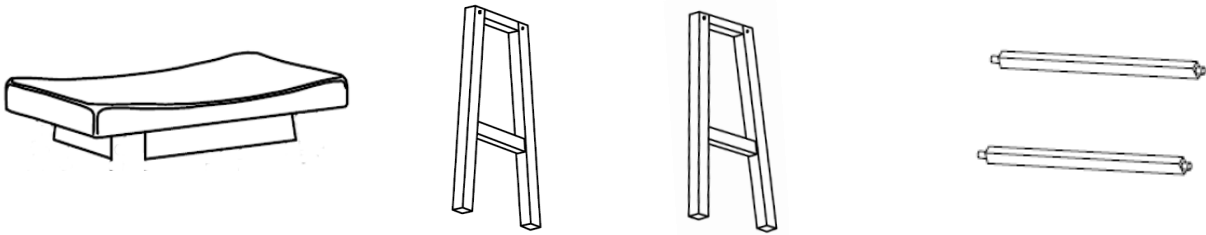
Part NO.	Picture	Description	QTY
A		Stool Seat	1 PC
B		Leg Frame	2 PCS
C		Stool Rail	2 PCS

## Hardware

Label	Picture	Description	QTY
D		Screw(M7*50MM)	8 PCS
E		Wood Button	8 PCS
F		Allen Key	1 PC
G		Foam Pad	4 PCS

# Assembly Preparation

## Before Beginning Assembly:



- Read instructions, cover to cover-



- Have 2 adults on hand for assembly-



- Do not assemble on flooring or carpet-

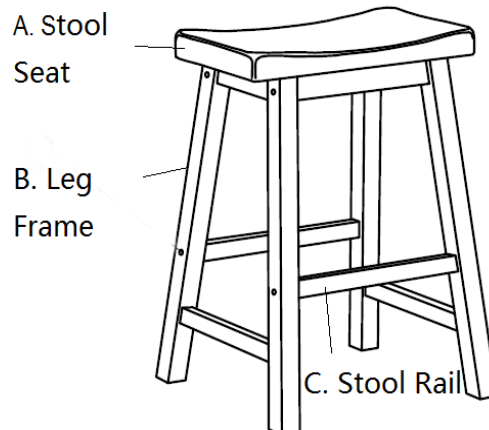


- Assemble on a clean non-marring surface (packing foam)-



- Save all packaging until finished-

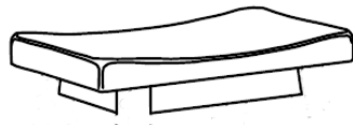
# Assembly Steps



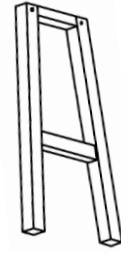
**This Stool has multiple parts and may require up to 30 minutes to assemble. To give you an overview of the Stool parts, the above picture is to help you put the various Stool parts into perspective.**

**Please read through the instructions herebelow to familiarise yourself with the parts and steps before assembly.**

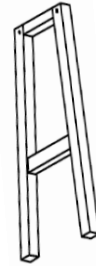
Step 1



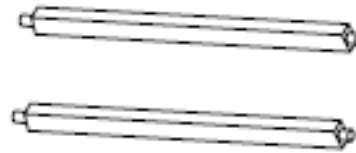
A. Stool Seat



B. Leg Frame



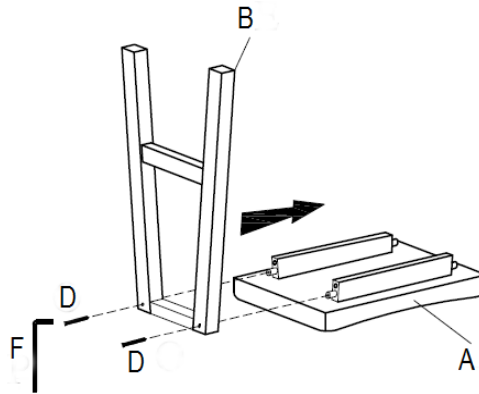
B. Leg Frame



C. Stool Rail

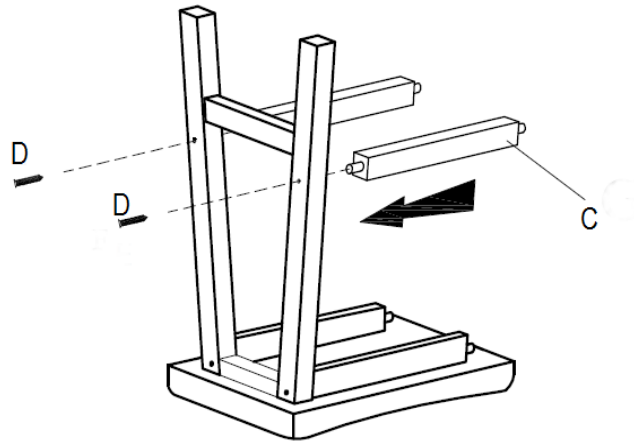
Place the Stool Seat(A)&Leg Frames(B)&Stool Rail(C) on a clean, non-marring surface. Remove the Seat Base Cover from the underside of the Chair Seat(A) and take out all of the Parts and Hardware.

Step 2



Put the Stool Seat(A) onto a flat table top-like surface at waist height. Slide the Leg Frame(B) into the bottom Stool Seat dowls. Align and attach Leg Frame using Screws(D) with Allen Key(F)  
**Caution : At this stage, LOOSELY FASTEN these bolts**

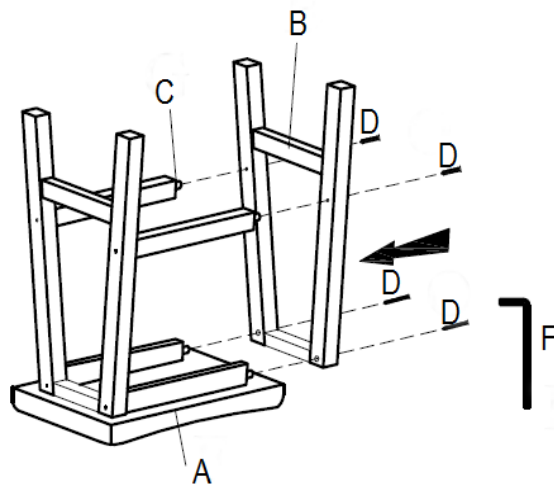
**Step 3**



Insert Stool Rail(C) into the Leg Frame(B) as shown above.  
Then, attach using Screw(D) with Allen Key(F).

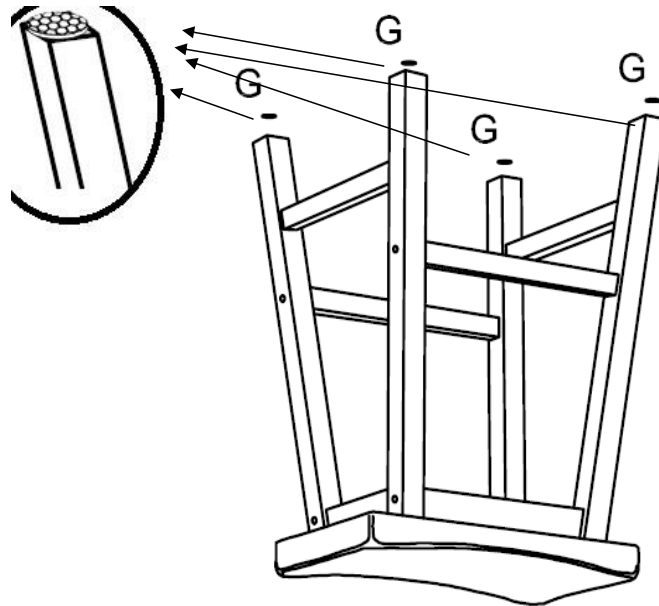
**Caution : At this stage, LOOSELY FASTEN these bolts**

**Step 4**



Slide the Leg Frame(B) into the bottom of Stool Seat dowls and Stool Rails(C).  
Secure using Screws with Allen Key(F).  
**Tighten all the screws and bolts.**

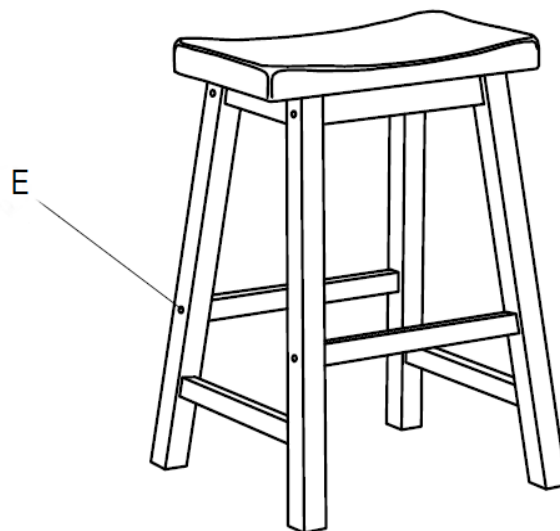
Step 5



Adhere the Foam Pads(G) under the Legs.

**Tighten all the screws and bolts.**

Step 6



Turn over the stool, Insert Wood Button(E) into every screw hole in the Stool.  
Your Stools are ready for use.

## Care & Maintenance



- Do not put hot items directly on furniture surface



- Do not clean furniture with harsh cleansers or polish.



- Do not place furniture under direct sunlight.



- Do not place furniture near heating or cooling vents.



- Do not write on furniture without a padded barrier to protect the surface.



- Do not place furniture outside . For indoor use only .



- Not for commercial use. For residential use only .



- Stains may be removed with mild soap solution and damp cloth.



- Children should not climb or jump on the furniture.



- Dust and pick-up spills using a clean, non-colored, lint-free cloth .