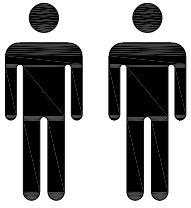
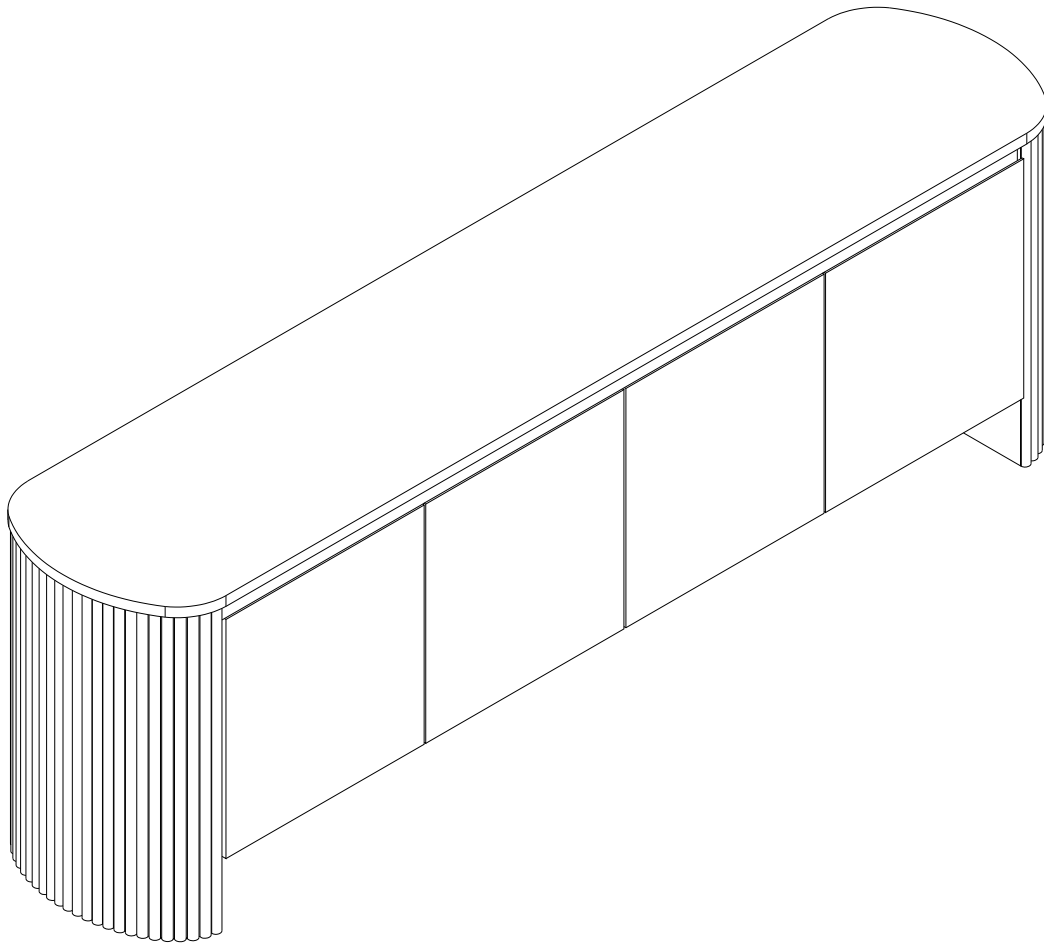


ASSEMBLY INSTRUCTION

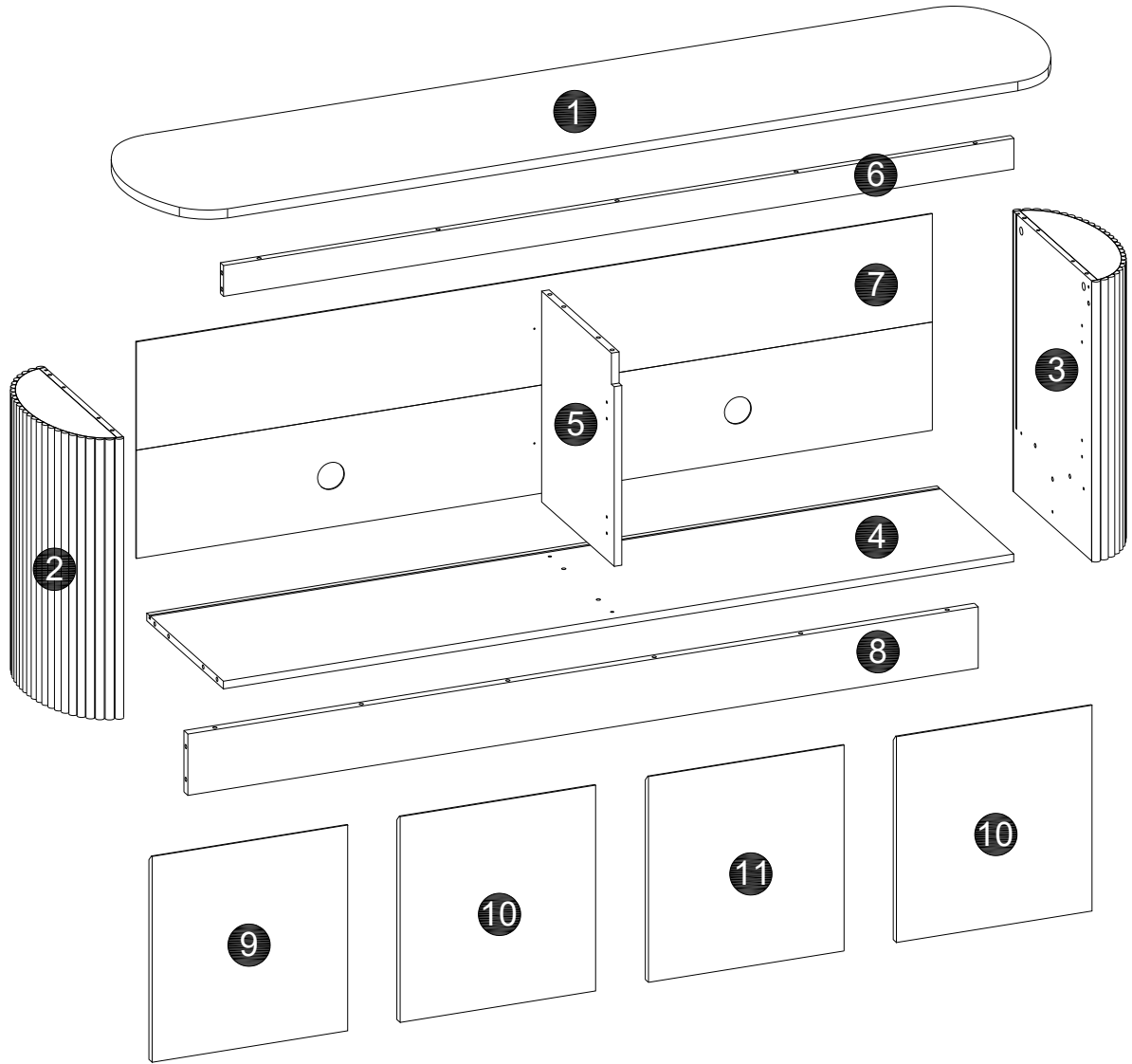
If there are any questions during the assembly process, please contact us at cs@labcosi.com
A video and description about the step you were stucked will help us to understand the problem quickly.

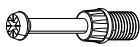

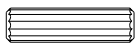


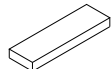
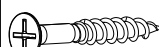

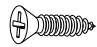
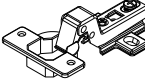
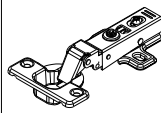
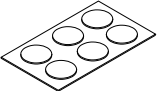


2 person required to
assemble this product

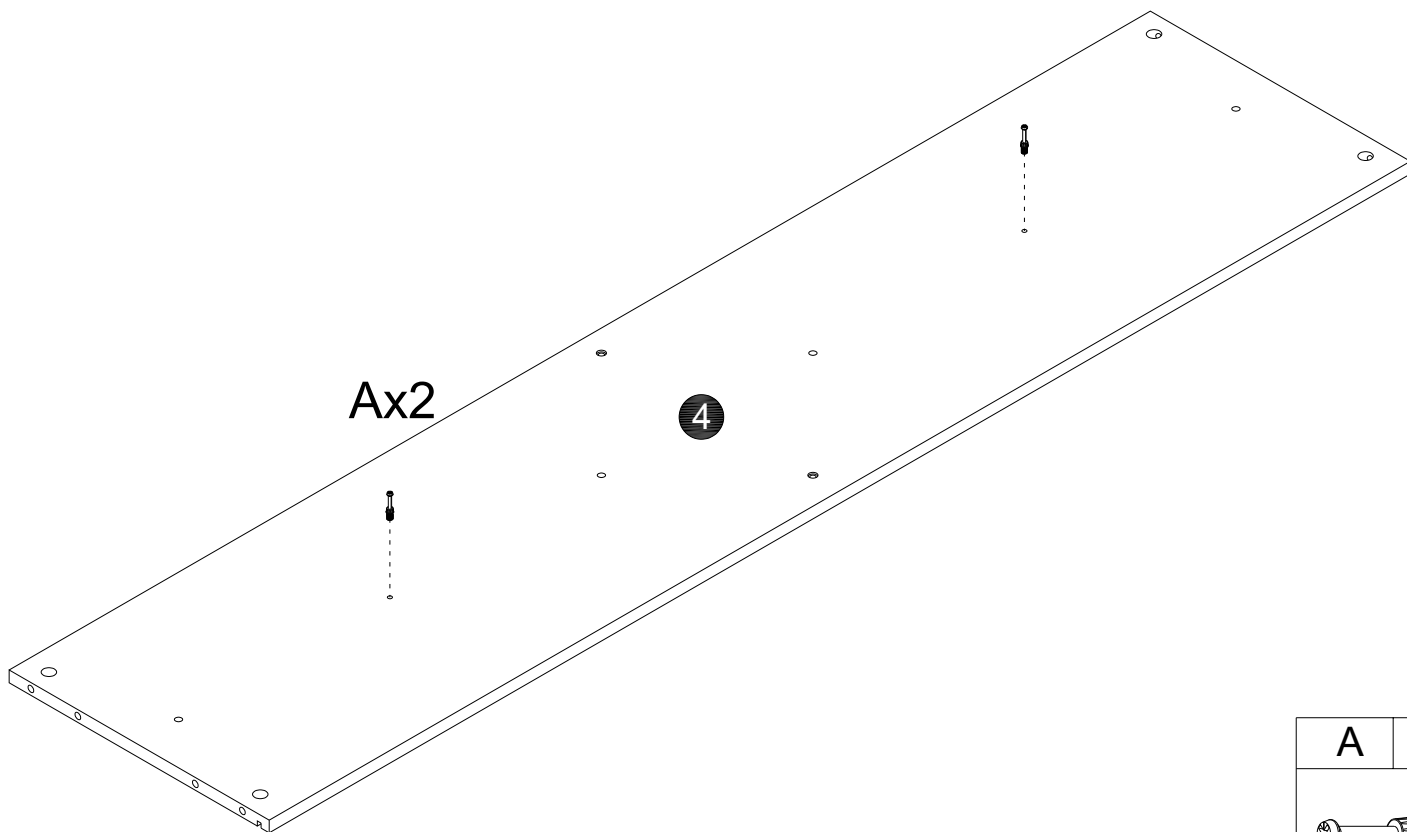


ASSEMBLY INSTRUCTION



A	x18	B	x18	C	x19	D	x4	E	x4	F	x2	G	x2	H	x8	I	x26
																	
M6x35mm	Ø15mm	Ø8x30mm	Ø6x30mm	Ø65x5mm	50x15x5	M5x38mm			M3.5x16mm								
J	x4	K	x4	L	x1												
																	
			Ø25														

1

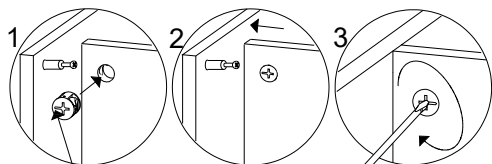


A x2



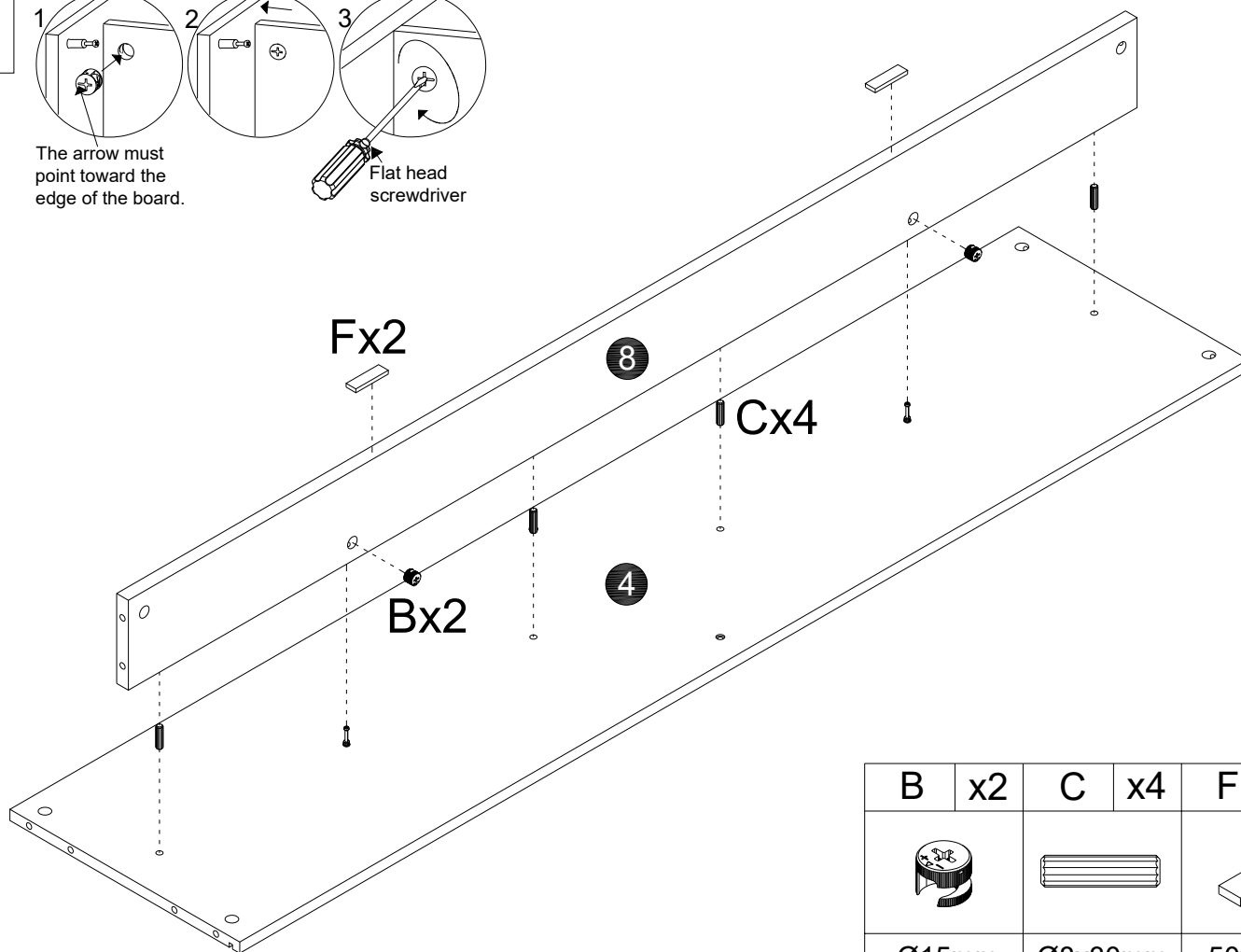
M6x35mm

2



The arrow must point toward the edge of the board.

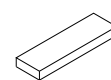
Flat head screwdriver



B x2

C x4

F x2

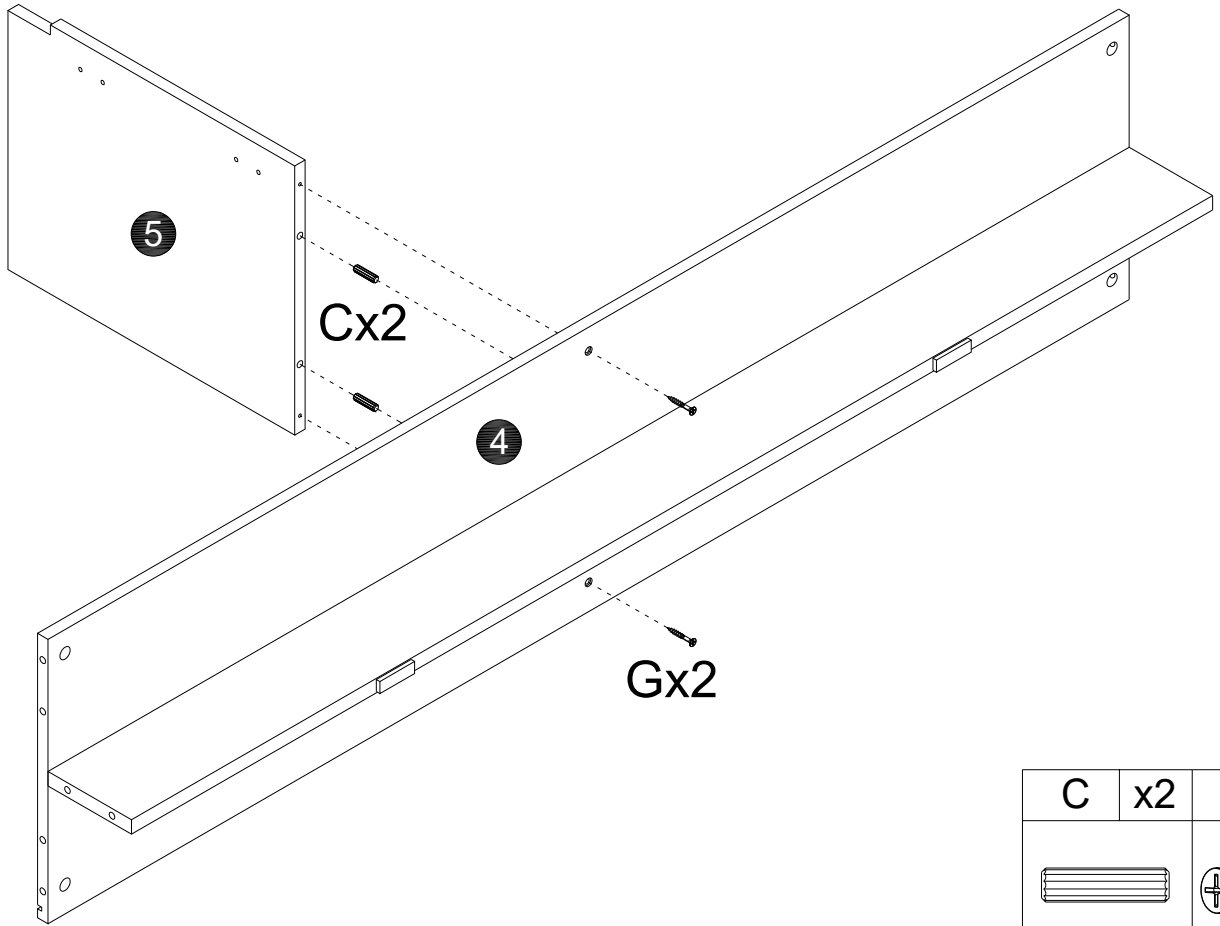



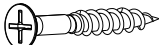
Ø15mm

Ø8x30mm

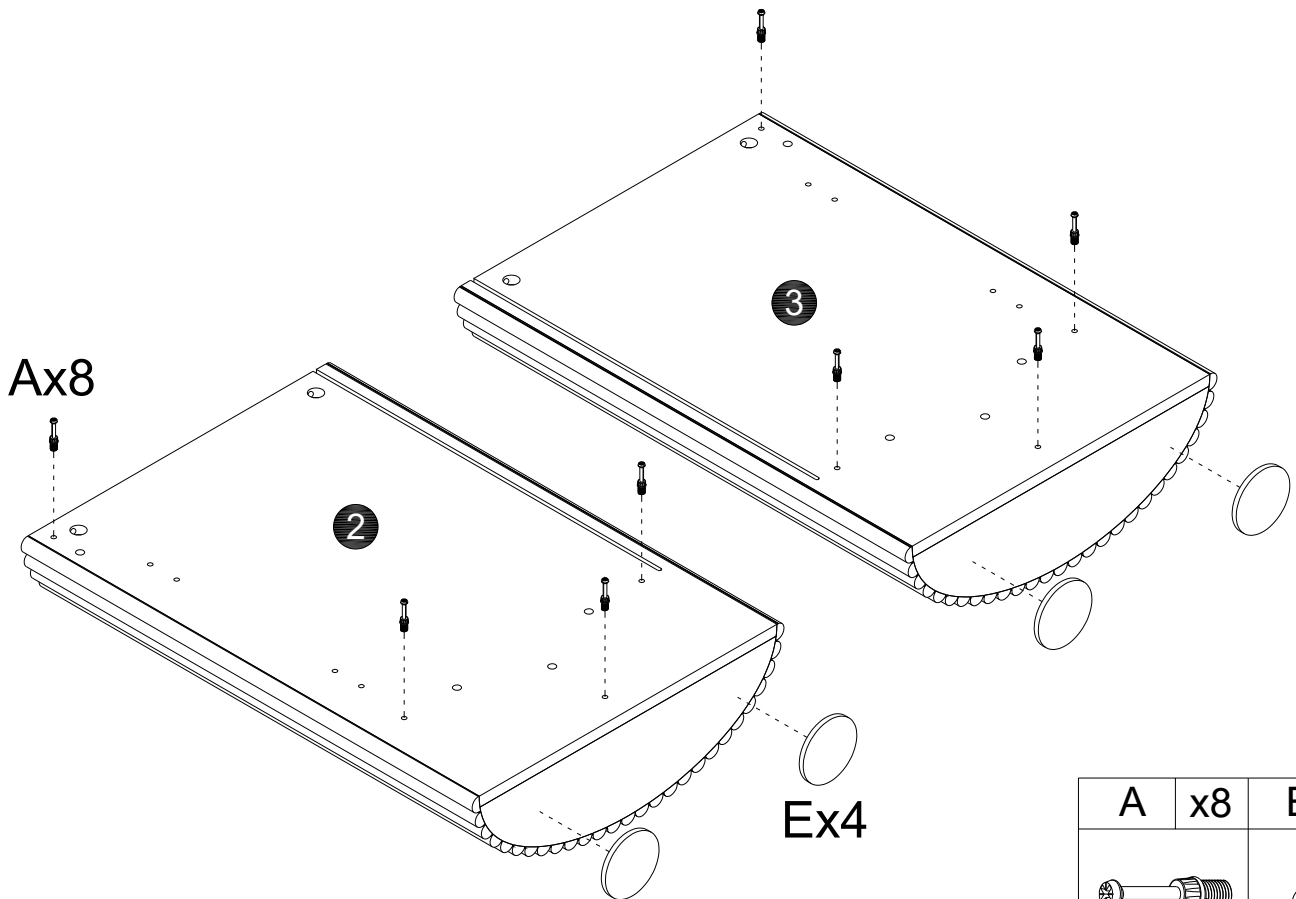
50x15x5

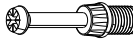

3



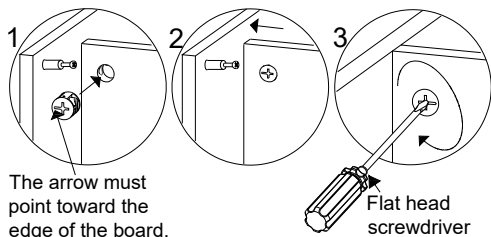
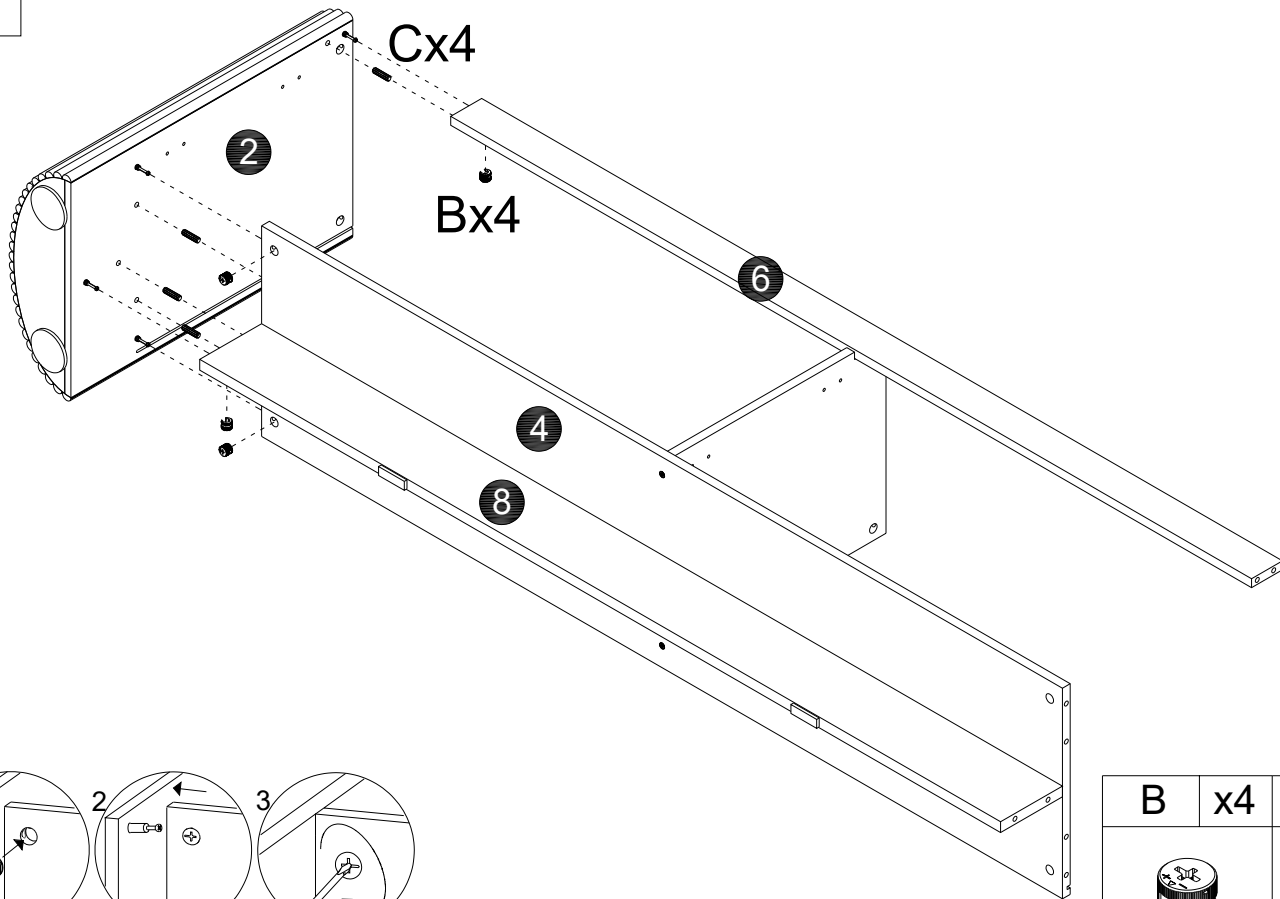
C	x2	G	x2
			
Ø8x30mm		M5x38mm	



4



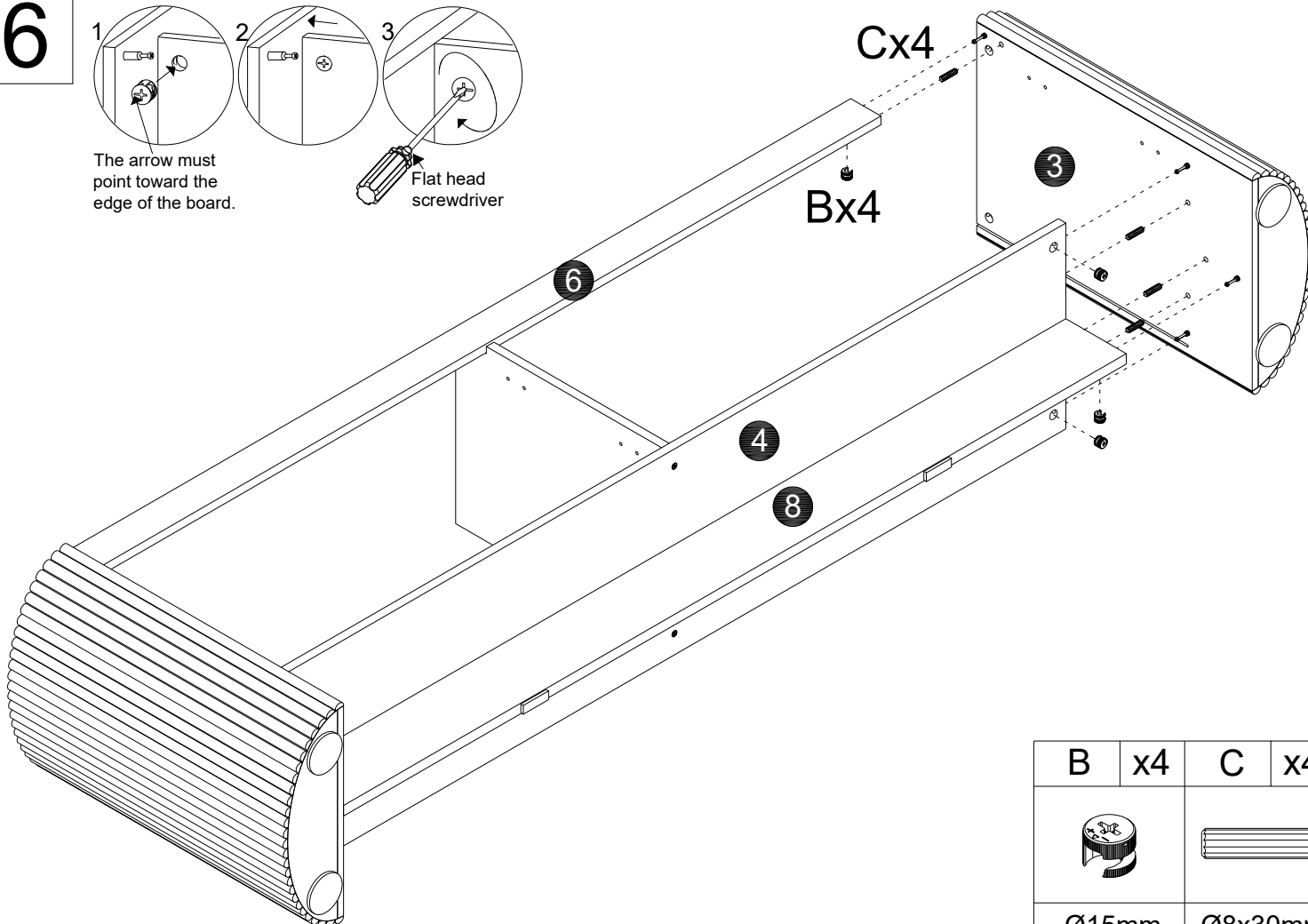
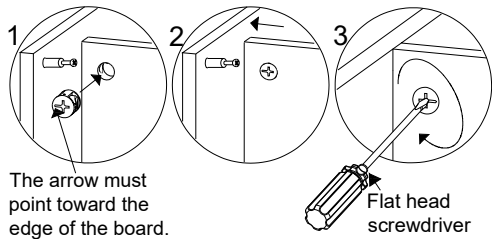
A	x8	E	x4
			
M6x35mm		Ø65x5mm	



5



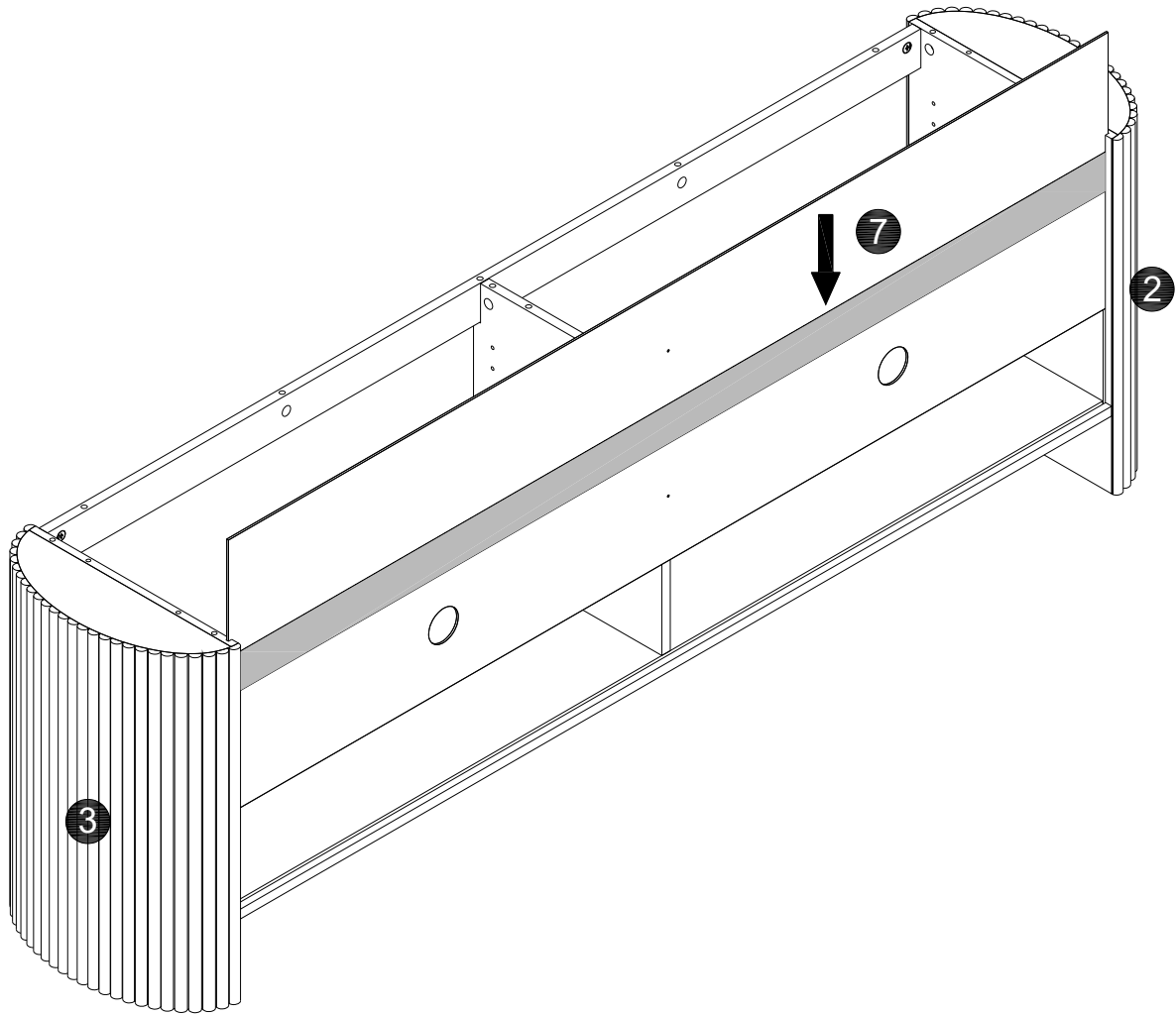
B	x4	C	x4
			
Ø15mm		Ø8x30mm	

6

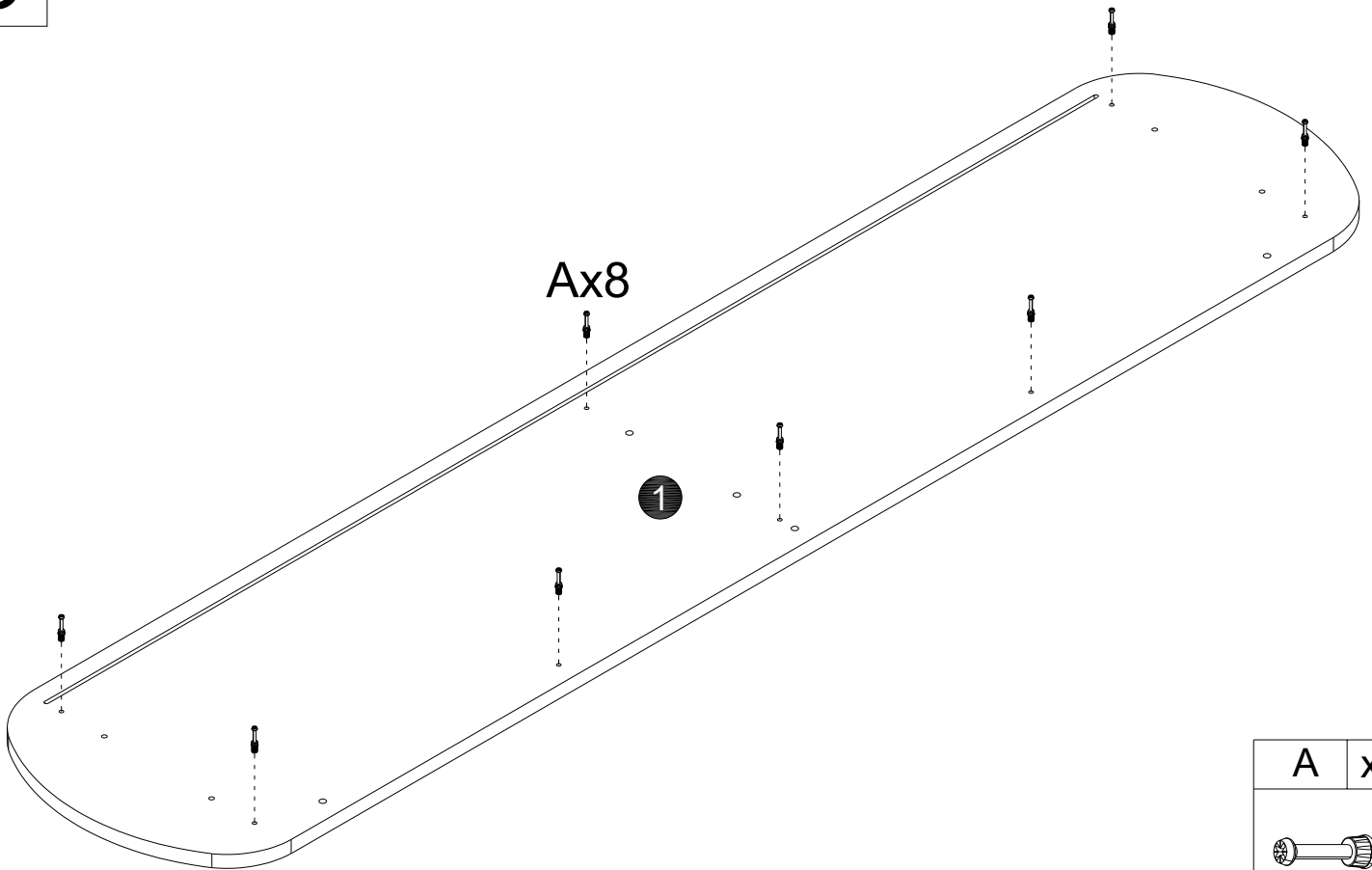


B	x4	C	x4
			
Ø15mm		Ø8x30mm	

7

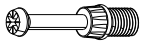


8

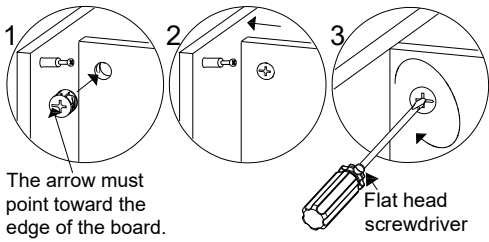


Ax8

1

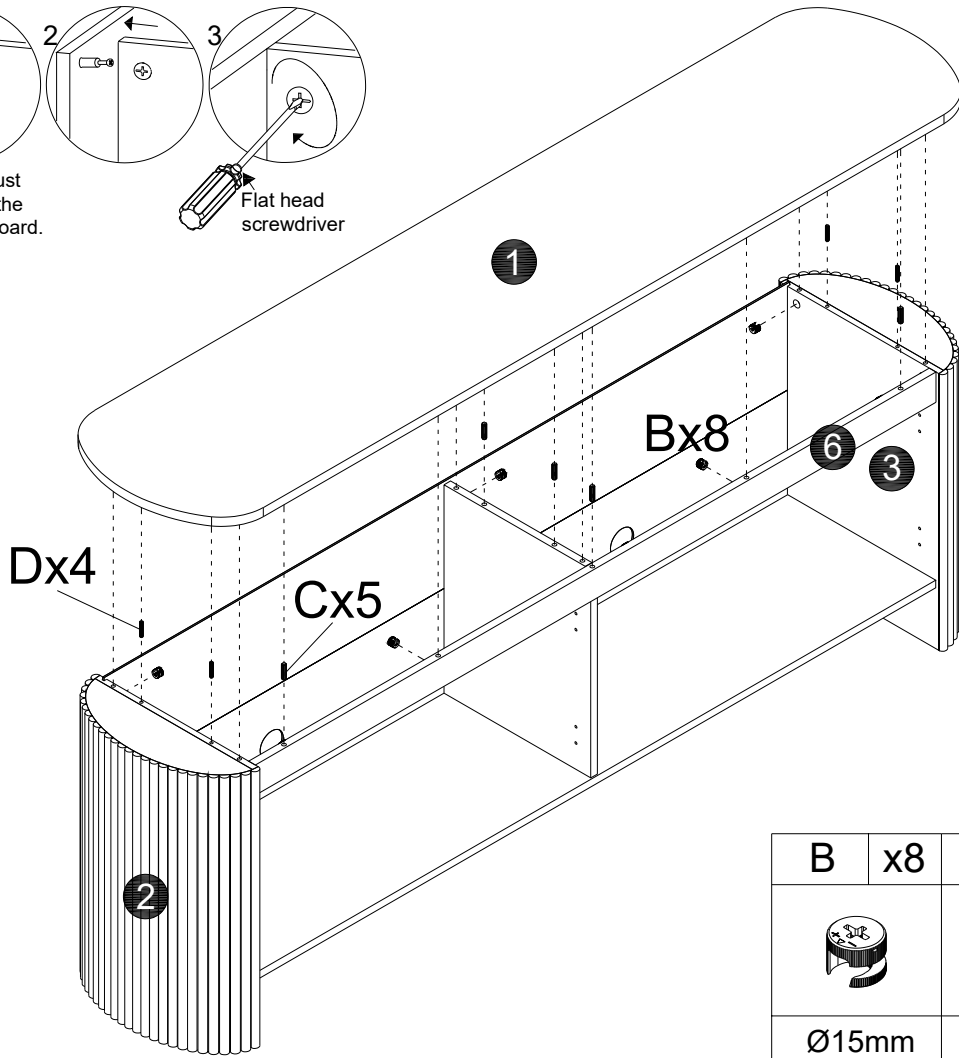
A	x8
	
M6x35mm	

9



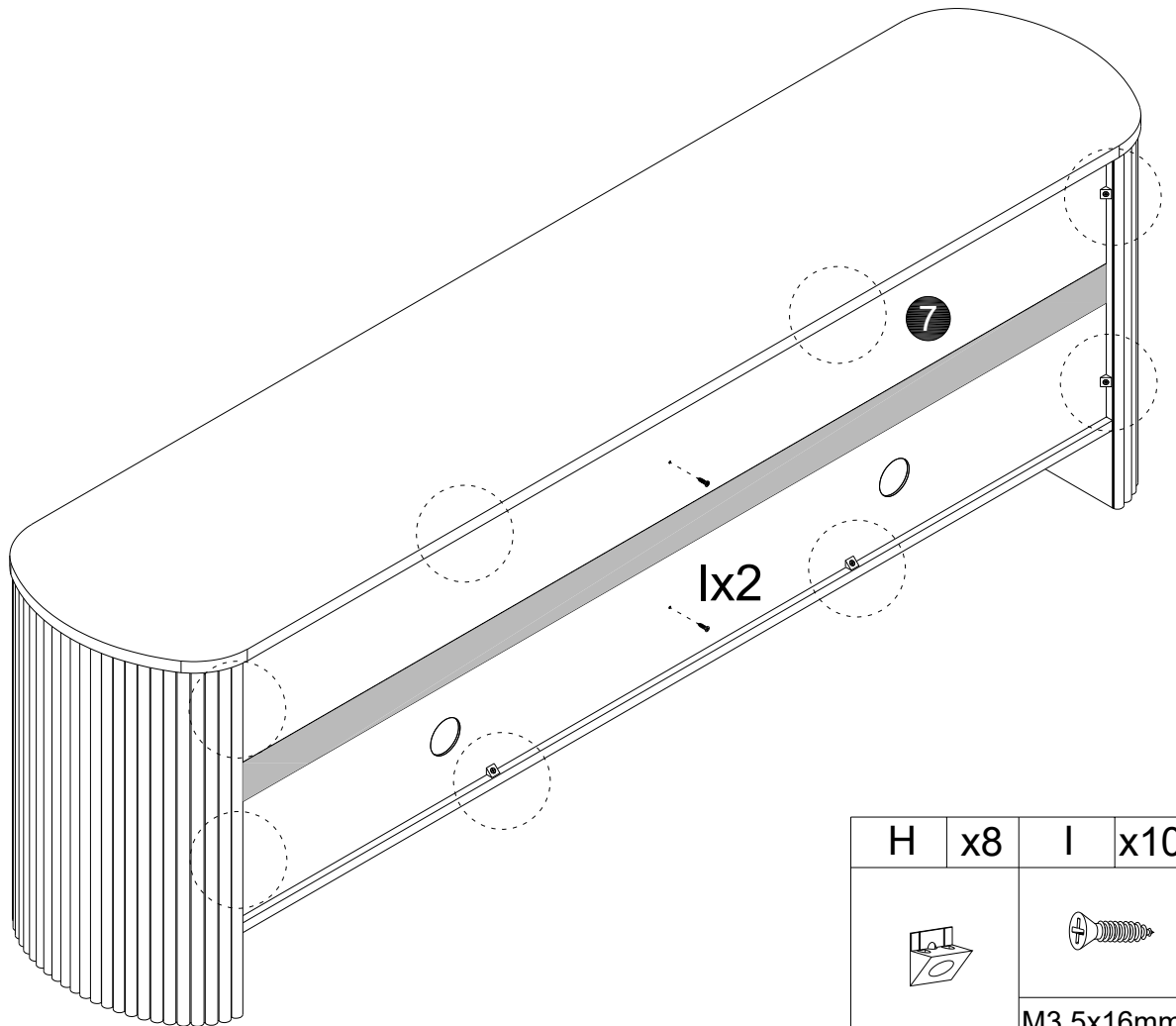
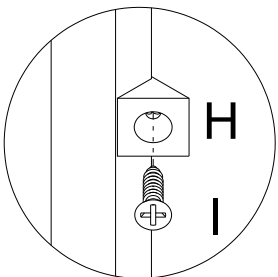
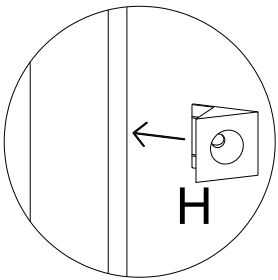
The arrow must point toward the edge of the board.

Flat head screwdriver



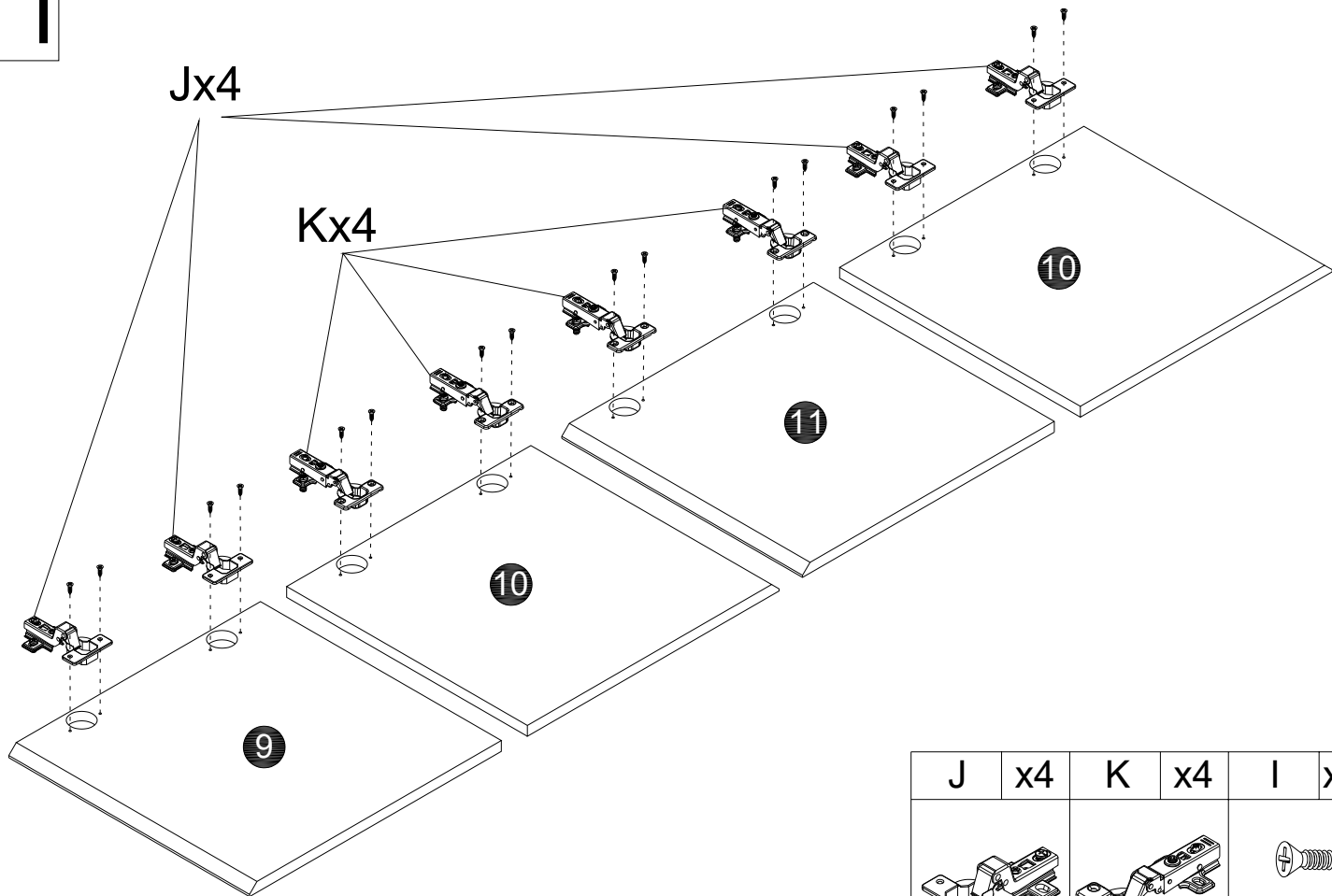
B	x8	C	x5	D	x4
Ø15mm		Ø8x30mm		Ø6x30mm	

10



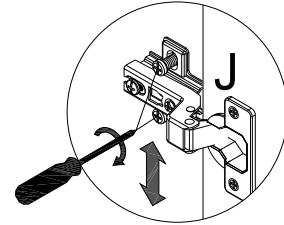
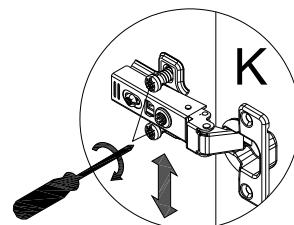
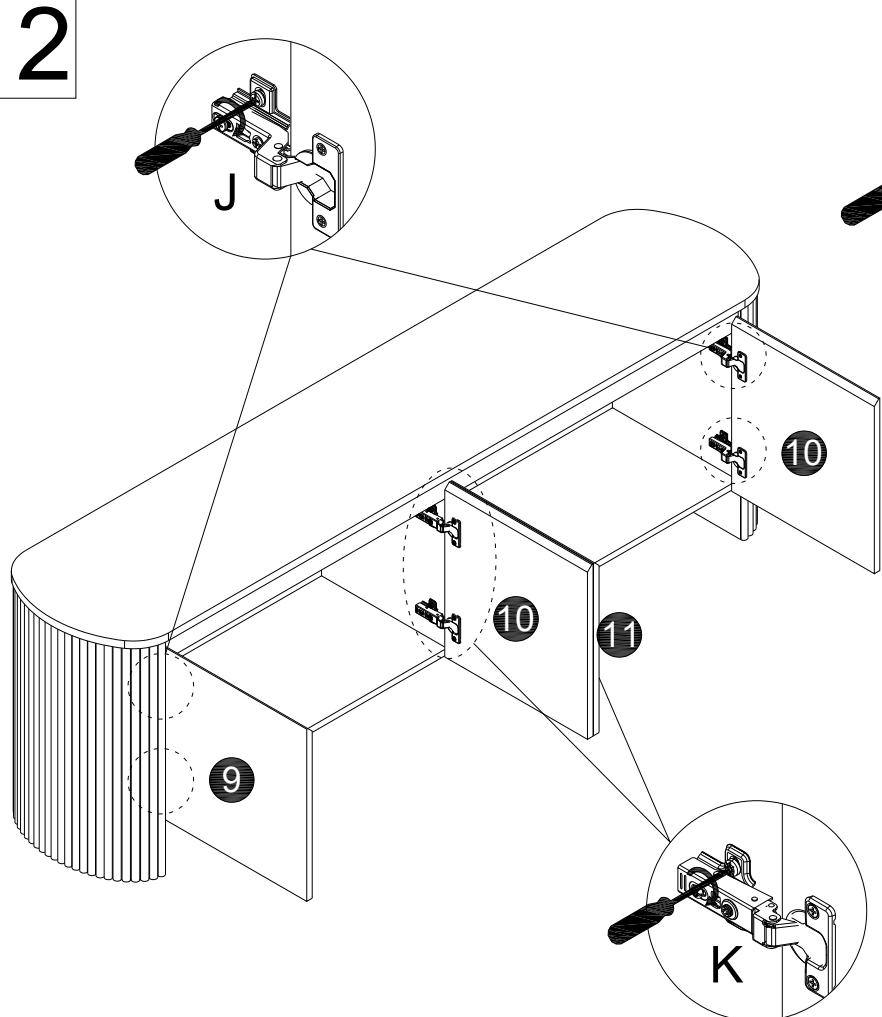
H	x8	I	x10
		M3.5x16mm	

11

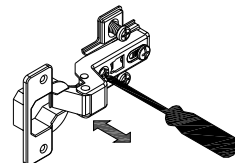
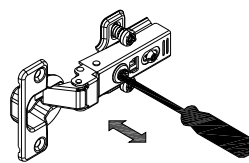


J	x4	K	x4	I	x16
					M3.5x16mm

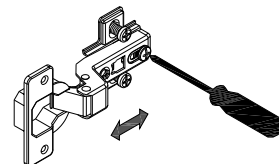
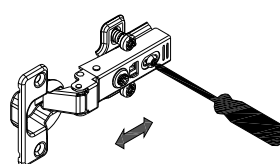
12



Align the screws with the reserved holes, adjust the position of the door up and down, and then tighten the screws.

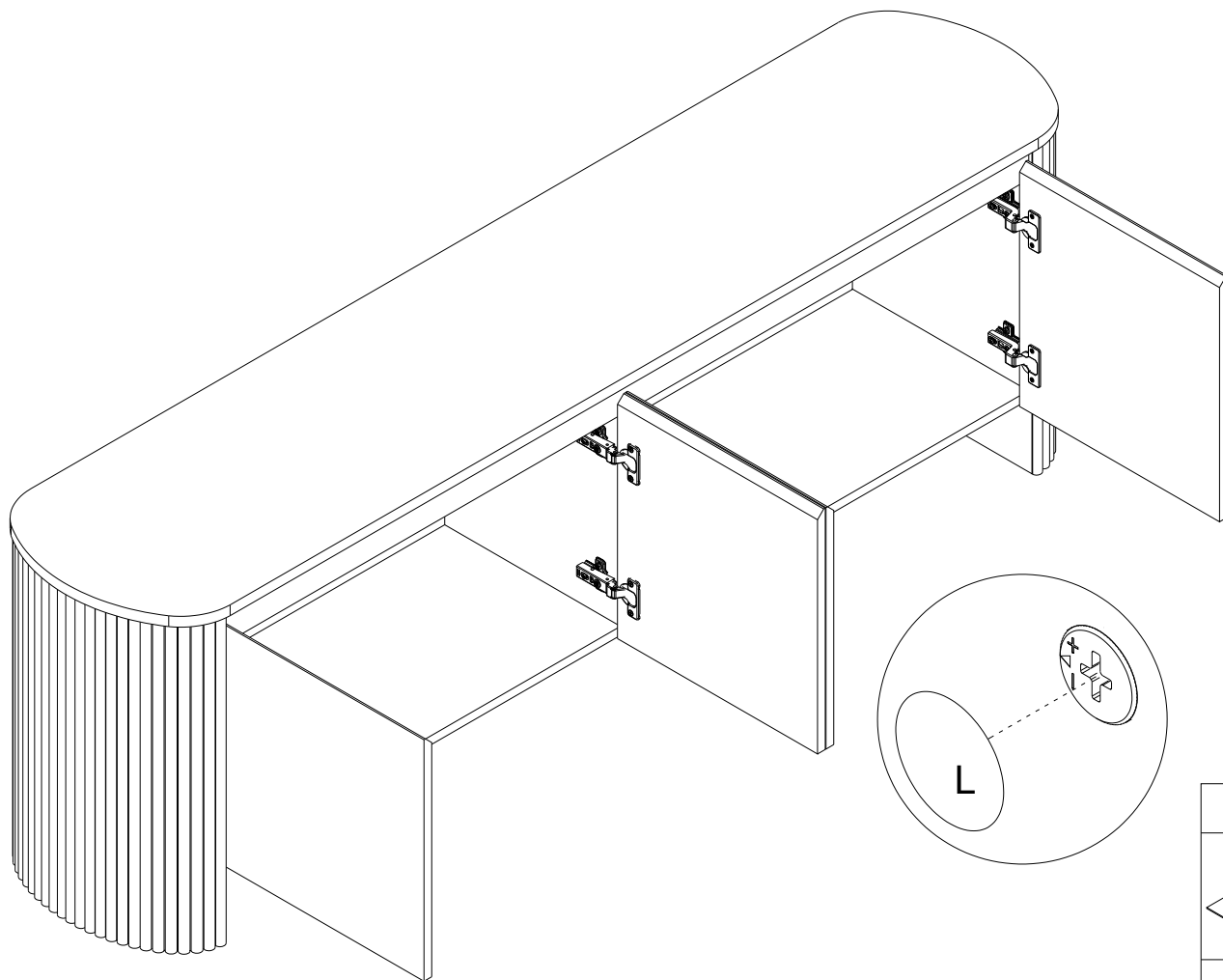


Adjust the left and right position of the door by rotating the screws counterclockwise or clockwise.

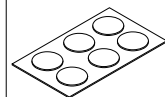


Loosen the screws, move the position of the door forward and backward. Then tighten the screws.

13



L	x1
---	----



Ø25

14

