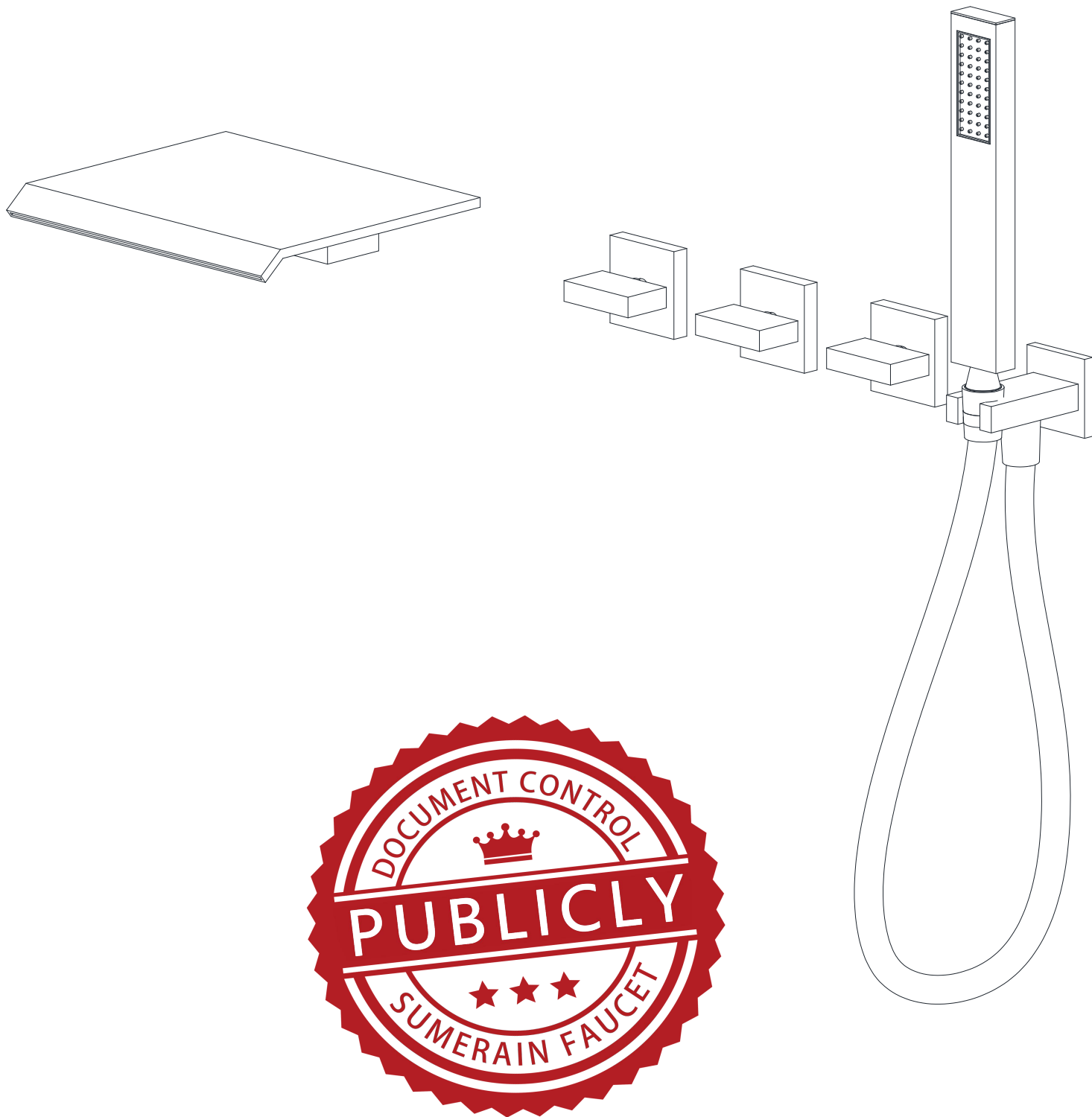


DATASHEET



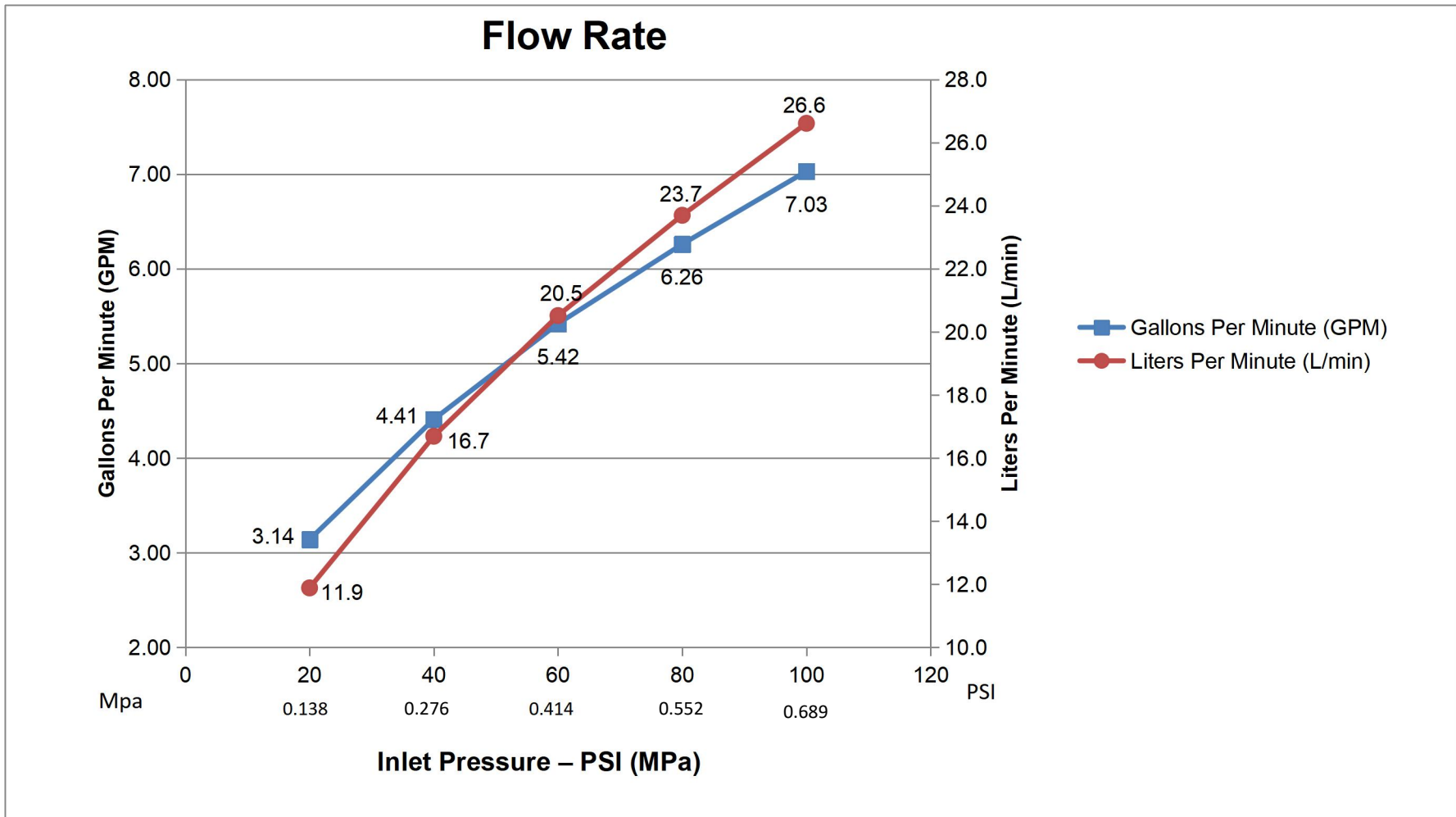
WALLMOUNT WATERFALL TUB FAUCET

MODEL	FINISH
S2129CW	CHROME
S2129NW	BRUSHED NICKEL
S2129GW	BRUSHED GOLD
S2129DW	MATTE BLACK

CUSTOMER CARE LINE: +1-866-203-0866

FUNCTIONS AND SPECIFICATIONS

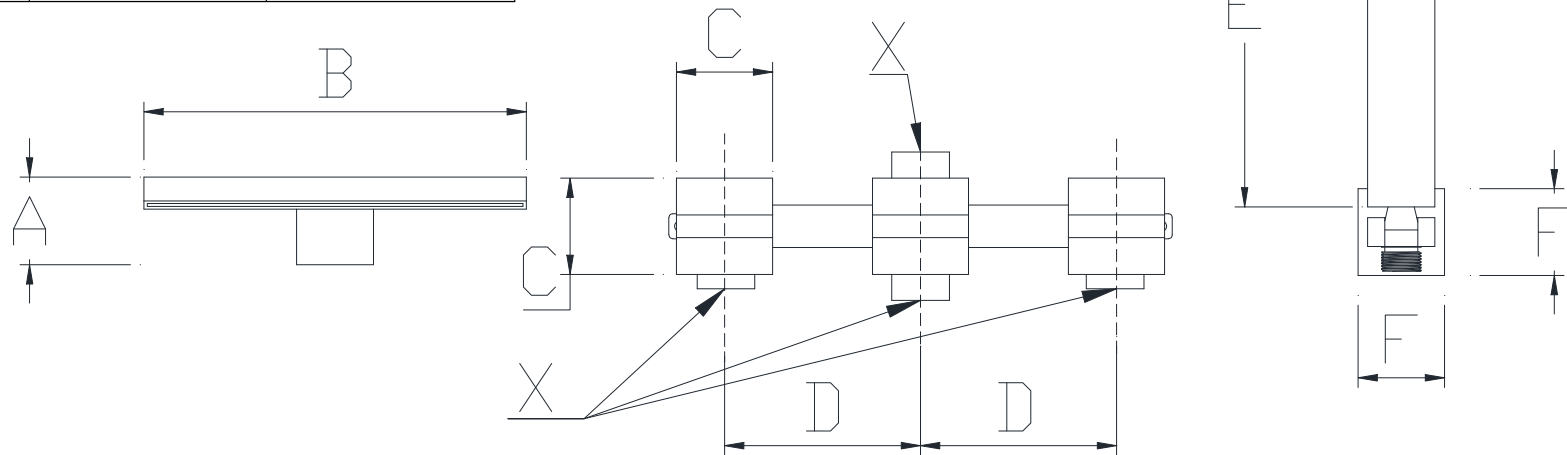
Faucet Type	Tub Faucet
Feature	Waterfall
Theme	Modern, Contemporary
Mounting Type	Wall Mounted
Finish	Chrome, Brushed Nickel, Matte Black, Brushed Gold
Number of Handles	Three
Handles Material	Metal
Handle Style	Knob
Escutcheon Included	Yes
Valve Type	Ceramic Disc
Faucet Body Material	Brass
Escutcheon Material	Brass
Diverter Included	Yes
Hand Shower Included	Yes
Diverter Location	Rough-in Valve
Tub Spout Flow Rate	5.42 GPM @60PSI [20.5L/min]
Hand Shower Flow Rate	1.8 GPM @60PSI [6.8L/min]
Tub Spout Material	Stainless Steel
Tub Spout Reach	6-11/16 Inch [170mm]
Tub Spout Width	7-7/8 Inch [200mm]
Hand Shower Width	1-3/8 Inch [35mm]
Hand Shower Length	7-7/8 Inch [200mm]
Shower Hose Included	Yes
Shower Hose Length	59-1/16Inch [1500mm]
Recommend Working Water Pressure	43.5~145PSI [0.3~1MPa]
Net Weight	8.18lbs [3.7KG]
Gross Weight	9.41lbs [4.3KG]
Packing Box [L x W x H]	16-11/32" x11-7/32" x 4-1/8" [415mmx285mmx105mm]



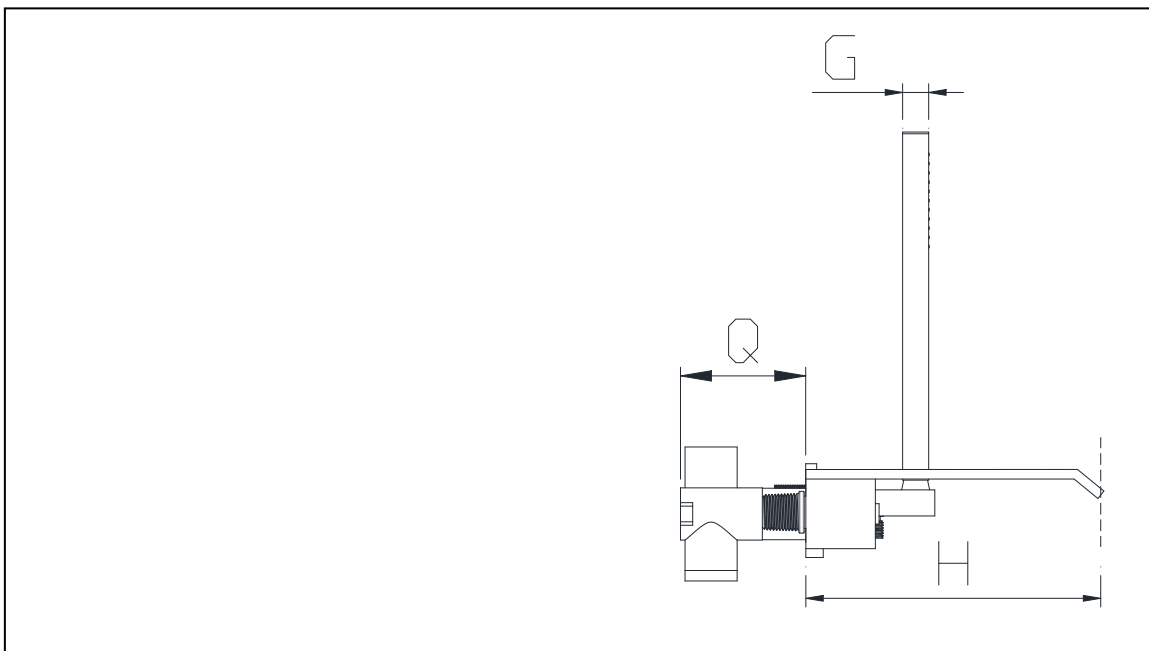
DIMENSIONS

Code	Dimensions - Inch	Dimensions - mm
A	1-3/4"	45
B	7-7/8"	200
C	1-31/32"	79
D	4"	102
E	7-7/8"	200
F	1-3/4"	45
G	1-3/4"	45

Region	Code	Specifications
US	X	NPT1/2"
Europe	X	G1/2"
UK &Other	X	G1/2"



FRONT VIEW OF FAUCET

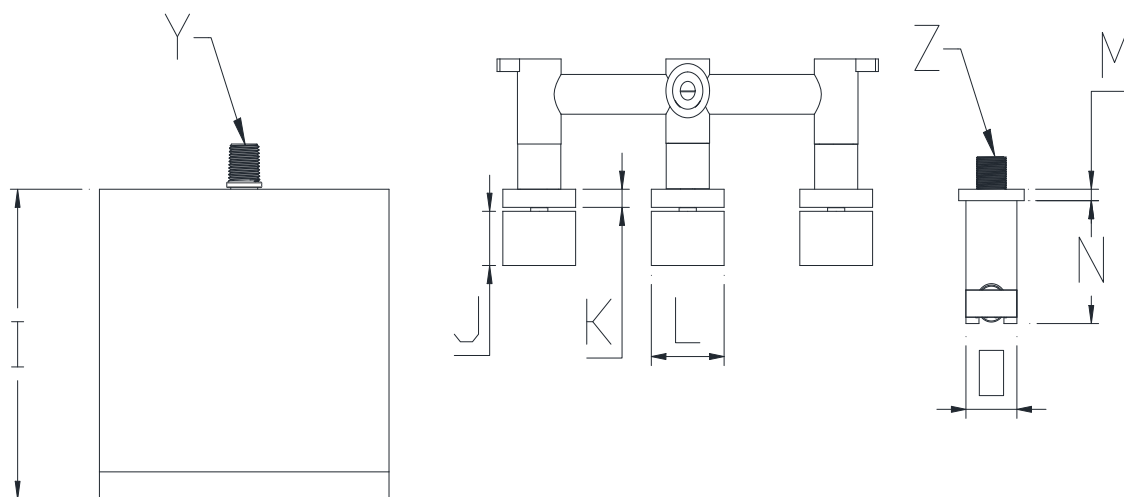


Code	Dimensions - Inch	Dimensions - mm
G	19/32"	15
H	6-11/16"	170
Q	2 13/16"	72

LEFT VIEW OF FAUCET

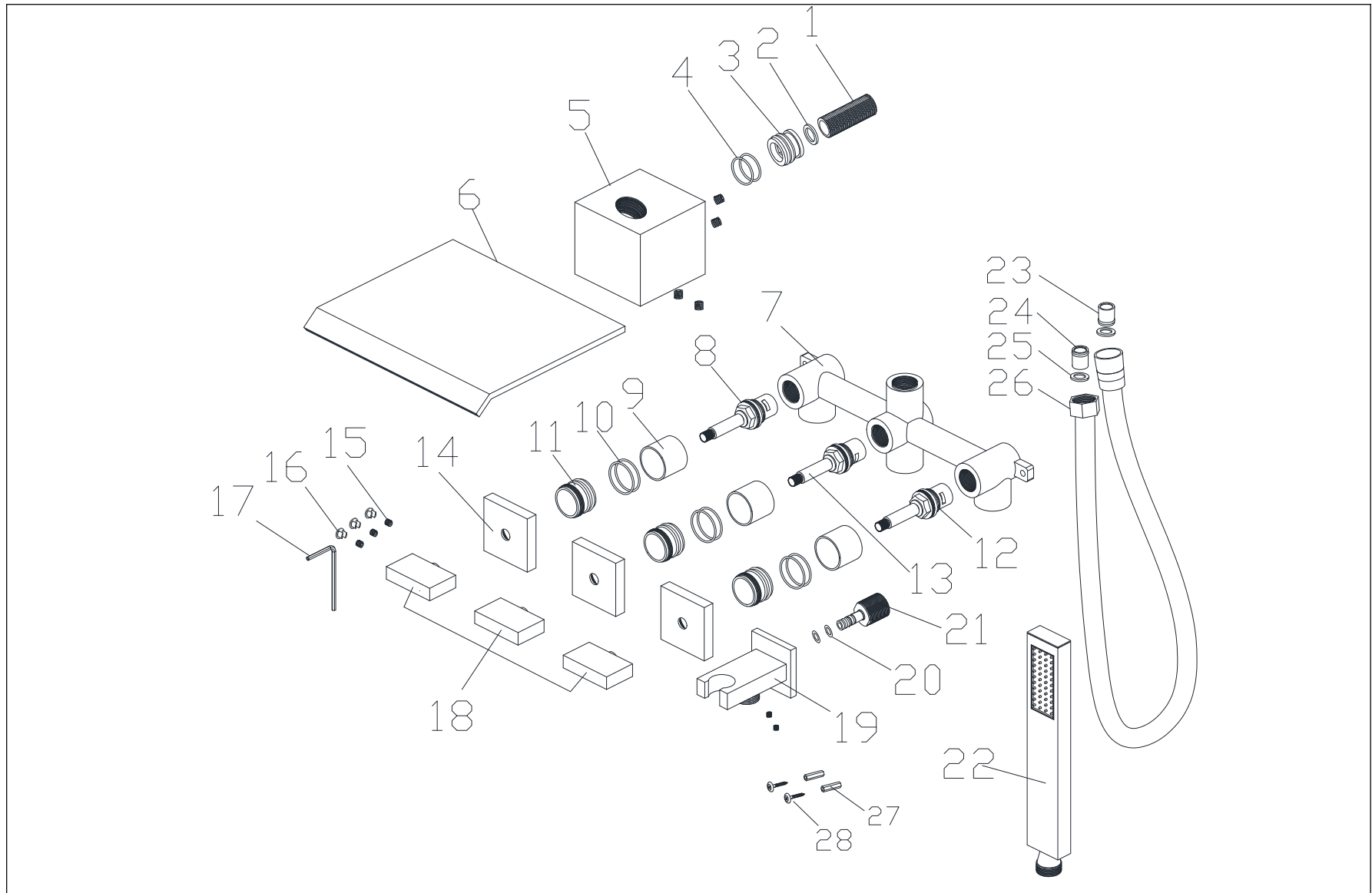
Region	Code	Specifications
US	Y	NPT1/2"
Europe	Y	G1/2"
UK &Other	Y	G1/2"
US	Z	NPT1/2"
Europe	Z	G1/2"
UK &Other	Z	G1/2"

Code	Dimensions - Inch	Dimensions - mm
I	6-3/4"	172
J	1-3/16"	30
K	13/32"	10
L	1-31/32"	50
M	1/4"	6
N	2-11/16"	68
O	1-3/8"	35



TOP VIEW OF FAUCET

EXPLOSION DIAGRAM



NO	ITEM NAME	MATERIAL	QTY	PART NO.	NO	ITEM NAME	MATERIAL	QTY	PART NO.
1	Spout Shank	HPb59-1	1	PCN21291XX	15	Set Screw	SUS304	9	PSC05050XX
2	Rubber Washer	NBR	1	PRW18020XX	16	Screw Cover	ABS	3	PSA00004XX
3	Spout Nipple	HPb59-1	1	PCN21290XX	17	2.5mm Allen Wrench	Fe45#	1	PSA00003XX
4	O-Ring	NBR	2	POR25020XX	18	Knob	Zn Alloy No.3	3	PHD00006XX
5	Spout Nipple	SUS304	1	PCN21500XX	19	Hand Shower Holder	ASSEMBLY	1	PHH32180XX
6	Tub Spout	SUS304	1	PSP21290XX	20	O-Ring	NBR	2	POR08015XX
7	Rough-in Valve	HPb59-1	1	PVB21291PB	21	Nipple of Wall Elbow	HPb59-1	1	PCN32180XX
8	Hot Disc Cartridge	ASSEMBLY	1	PCT12480XX	22	Handheld Shower	ASSEMBLY	1	PHS00002XX
9	Cartridge Sleeve	HPb59-1	3	PSL12482XX	23	Check Valve	ASSEMBLY	1	PAE00044XX
10	O-Ring	NBR	6	POR24020XX	24	Check Valve	ASSEMBLY	1	PAE00043XX
11	Escutcheon Nipple	HPb59-1	3	PSL12480XX	25	Rubber Washer	NBR	2	PRW19020XX
12	Cold Disc Cartridge	ASSEMBLY	1	PCT12481XX	26	Shower Hose	ASSEMBLY	1	PFH00015XX
13	Diverter Cartridge	ASSEMBLY	1	PCT21295XX	27	Anchor	ABS	2	PSA00010XX
14	Escutcheon	Zn Alloy No.3	3	PEC12480XX	28	Mounting Screw	SUS304	2	PSC00002XX

SUMERAIN®

North America	Asia	Europe
SUMERAIN INTERNATIONAL GROUP INC	HONGKONG SUMERAIN SANITARY INDUSTRY CO., LIMITED	SUMERAIN EUROPE SUPPORT TEAM
Add: 1226 NORTH KING ST NUM 522 WILMINGTON, DE 19801 United States	Add: FLAT/RM 3B 3/F BANK TOWER NOS.351&353 KING'S ROAD NORTH POINT,HONGKONG	Add: Flottwellstr.15 10785 Berlin, Deutschland
Tel: +1(866)203-0866	Tel: +86-750-2731579	Tel: +49 (0)30/23975898
E-mail: supports@sumerain.us	E-mail: supports@sumerain.com	E-mail: de@sumerain.com