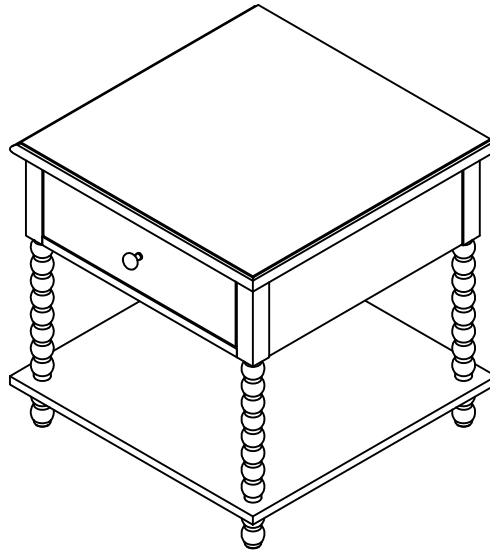


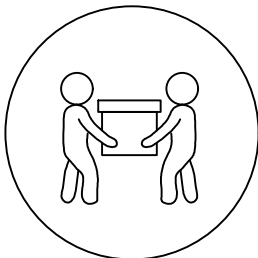
# ASSEMBLY INSTRUCTIONS

## AC0ET

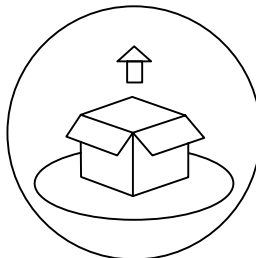


### Notice:

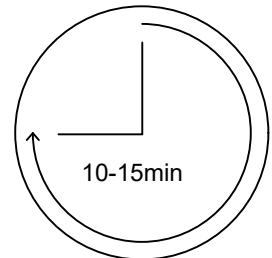
1. Follow the installation instructions. Please confirm all accessories are present before installation.
2. Tighten the screws only after the screw holes of all components are properly aligned.
3. If you encounter any issues during installation, please contact our customer service for assistance.
4. Unbox the item from the side labeled "Open", and lay a protective mat or cloth on the floor to avoid scratches.



**Recommended Assembly:**  
2 people



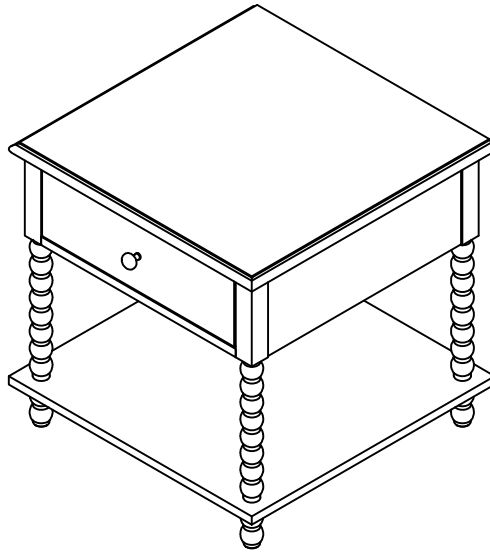
**Lay a protective mat  
or cloth**



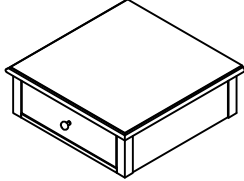
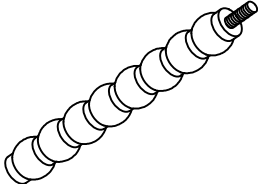

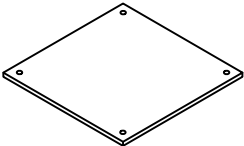
**Estimate installation time**

# ASSEMBLY INSTRUCTIONS

## AC0ET

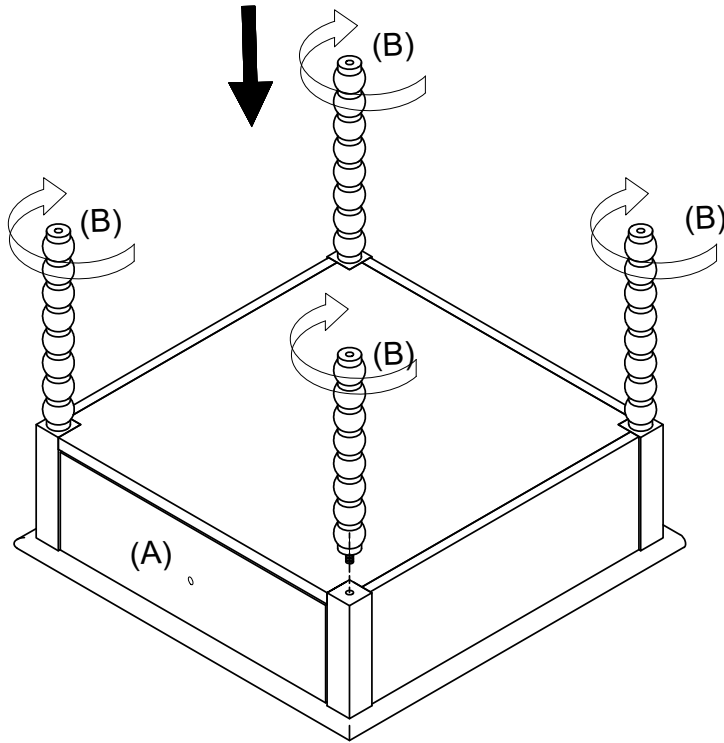


AC0ET is packed in 1 carton

Carton	Designation		Part	Qty
1/1	Table Top	(A)		1PC
	Long Leg	(B)		4PC
	Short Leg	(C)		4PC
	Bottom Board	(D)		1PC

# ASSEMBLY INSTRUCTIONS

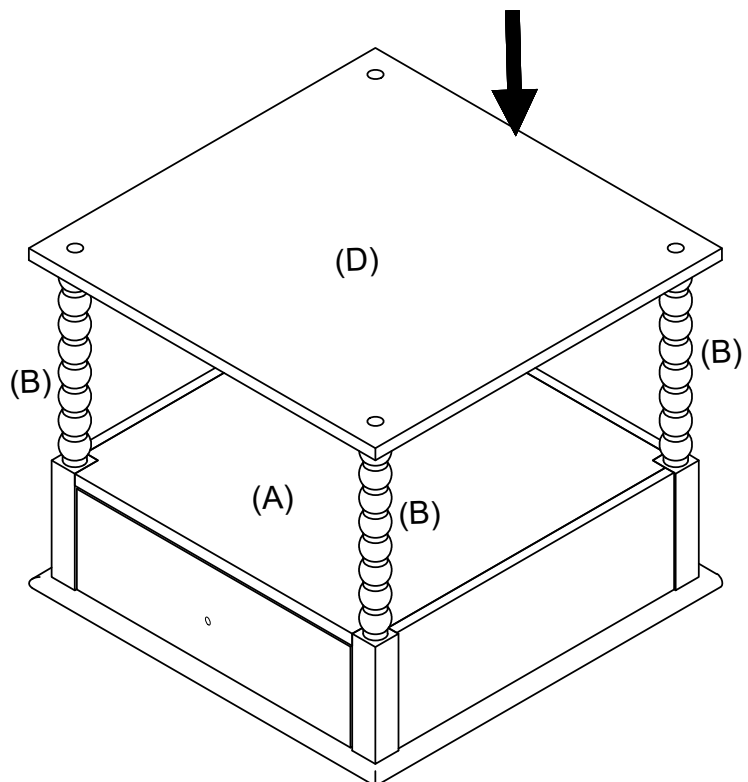
## STEP 1



Screw four Long Legs(B) to the bottom of the Table Top(A) and gently tighten the legs.

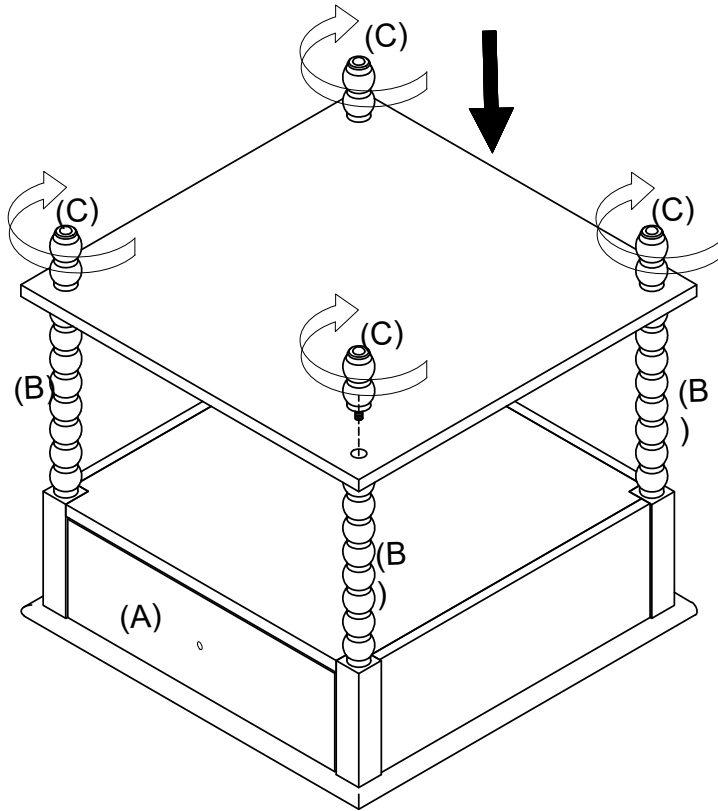
## STEP 2

Put the Bottom Board(D) over the end of four Long Legs(B).



# ASSEMBLY INSTRUCTIONS

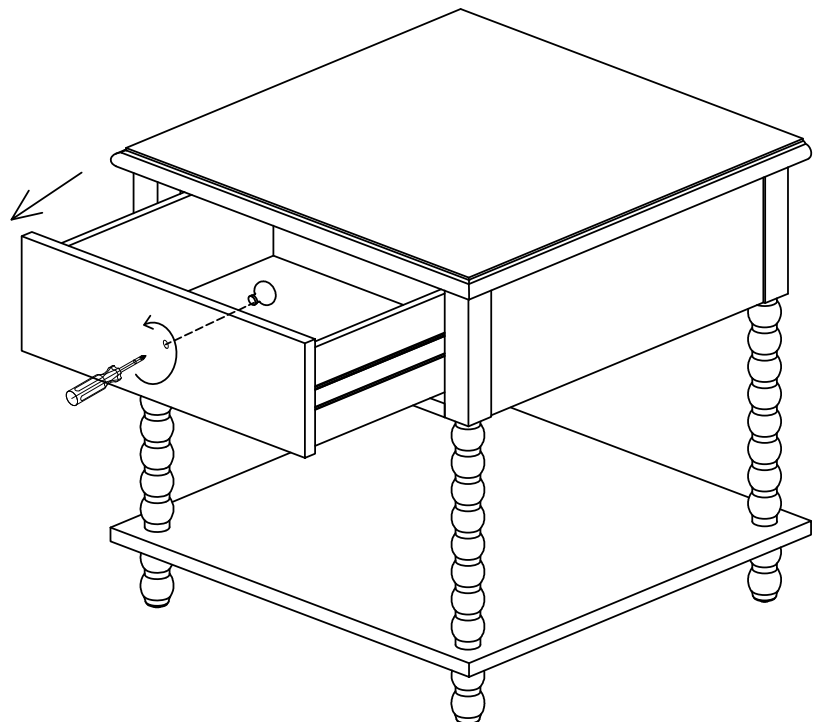
## STEP 3



Screw four Short Legs(C) through Bottom Board(D) to connect with Long legs(B).

## STEP 4

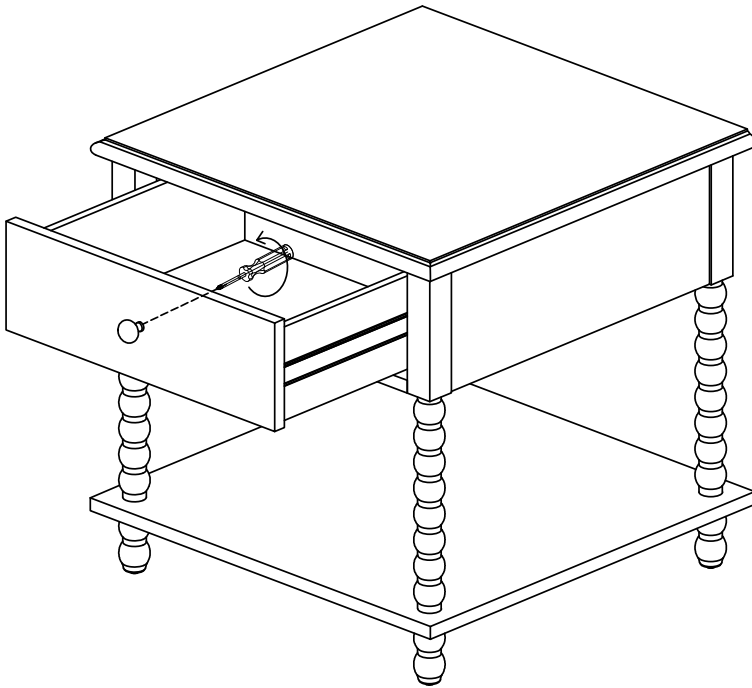
Turn the table upright and open the drawer, use a screwdriver to remove the handle from the inside.



# ASSEMBLY INSTRUCTIONS

---

## STEP 5



Reattach the handle to the outside of the drawer using a screwdriver.

## Completed

