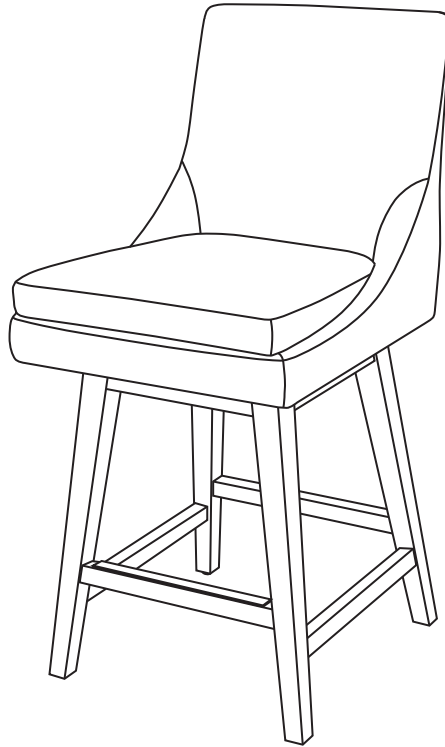


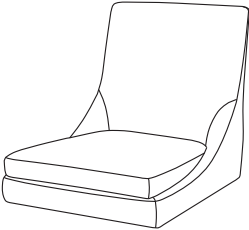
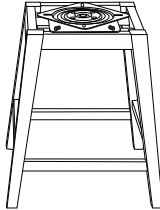

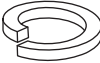

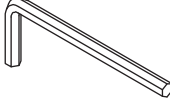
Y1510D Assembly Manual

Counter & Bar Height Swivel Stool



CAUTION

THIS ASSEMBLY MANUAL CONTAINS IMPORTANT SAFETY INFORMATION.
PLEASE READ AND KEEP FOR FUTURE REFERENCE.

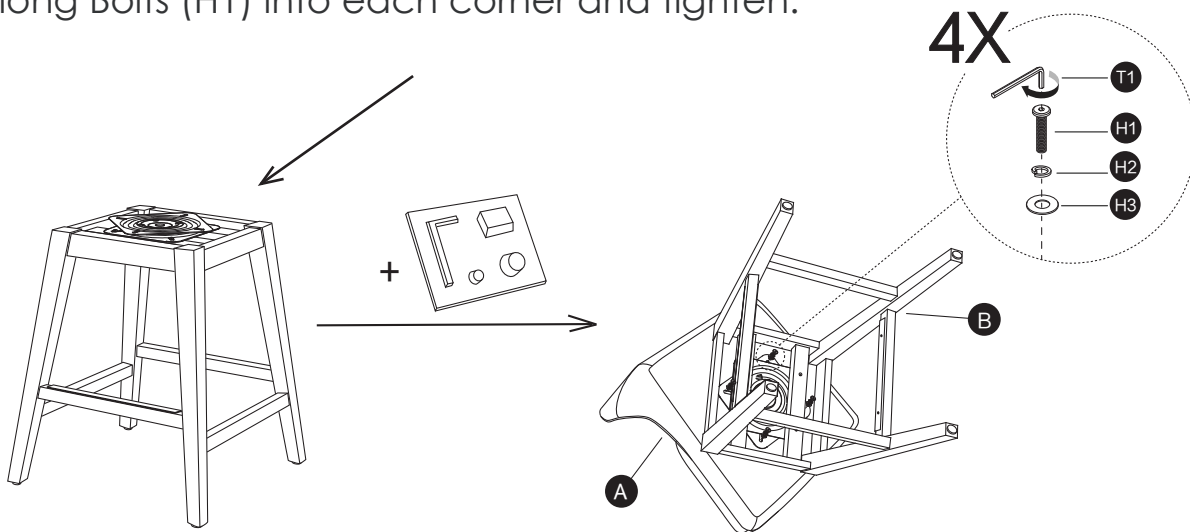
Ax1 	Bx1 	H1x4 
H2x4 	H3x4 	T1x1 

ASSEMBLY INSTRUCTIONS

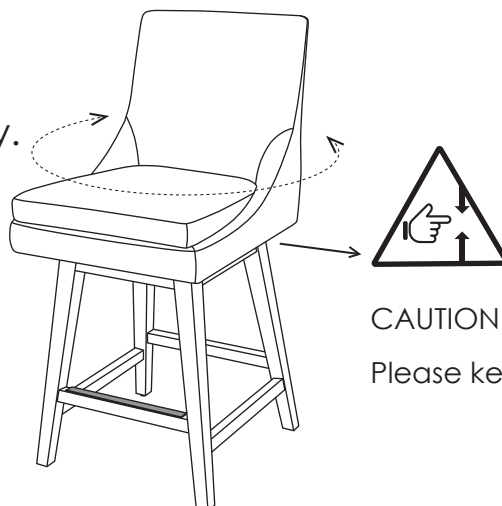
- 1 Flip over the stool seat bucket.
- 2 Slightly rotate the top swivel plate approximately 45 degrees.



- 3 Place the swivel stool base on the stool seat bucket bottom and insert long Bolts (H1) into each corner and tighten.



- 4 Assembly complete. Enjoy.



CAUTION: PINCH POINT.
Please keep hands clear during swivel.