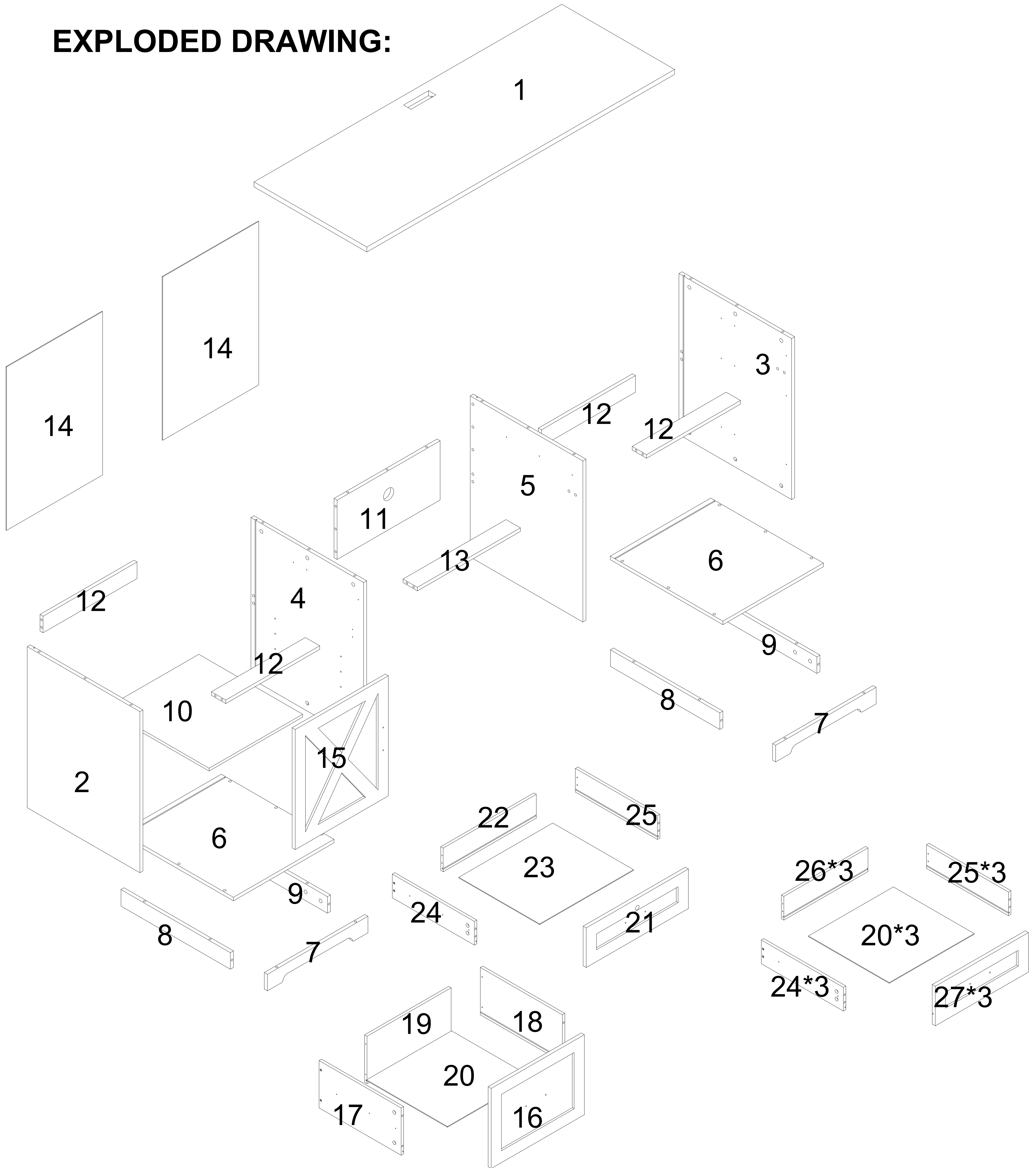
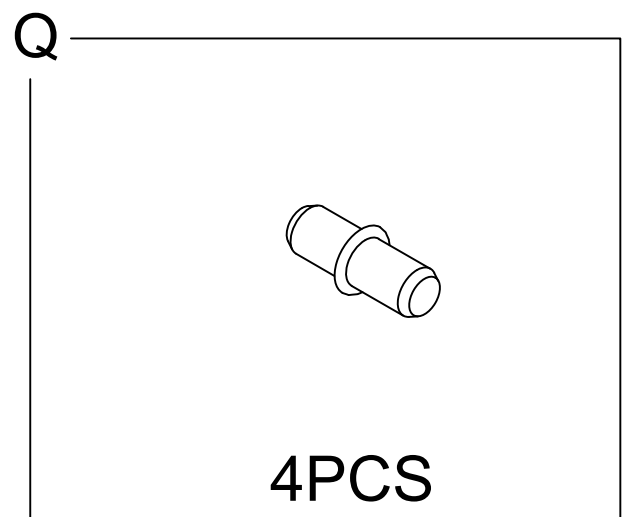
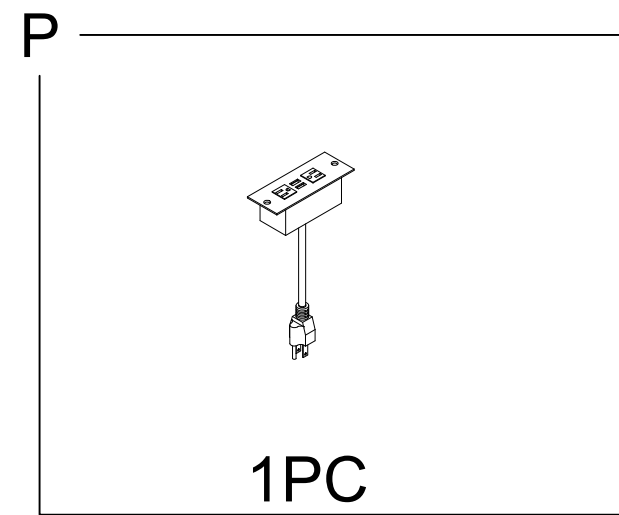
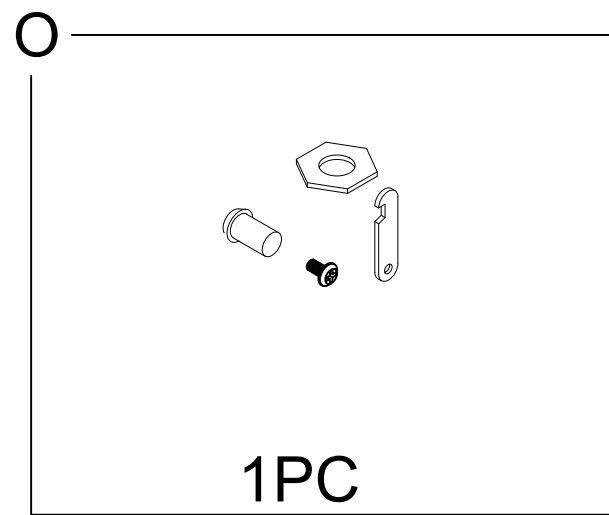
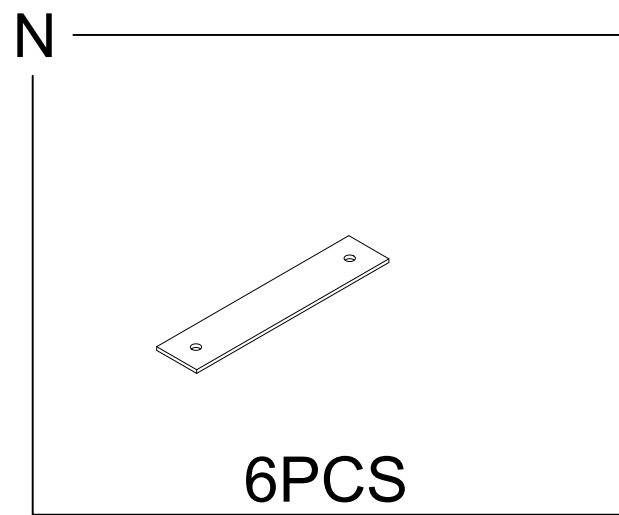
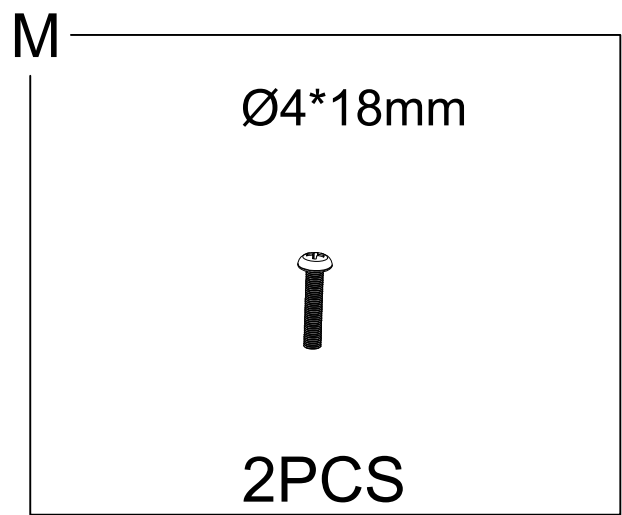
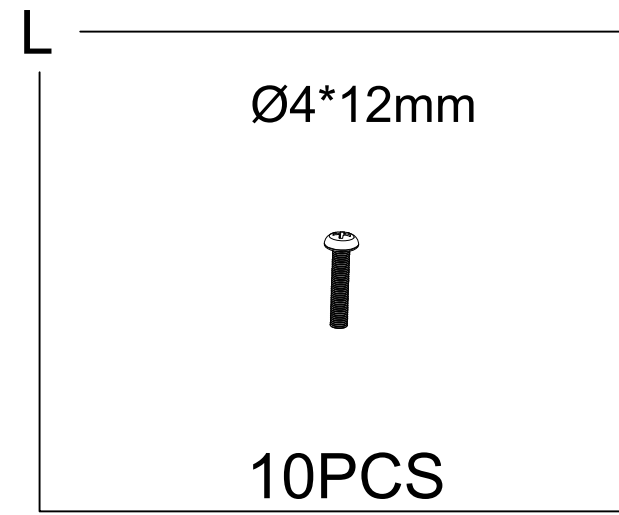
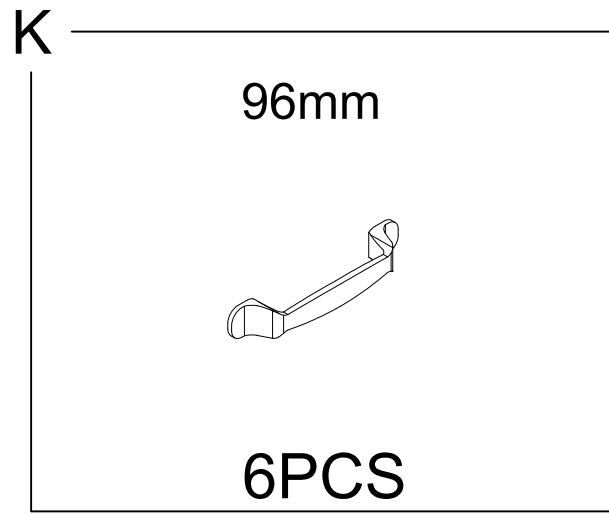
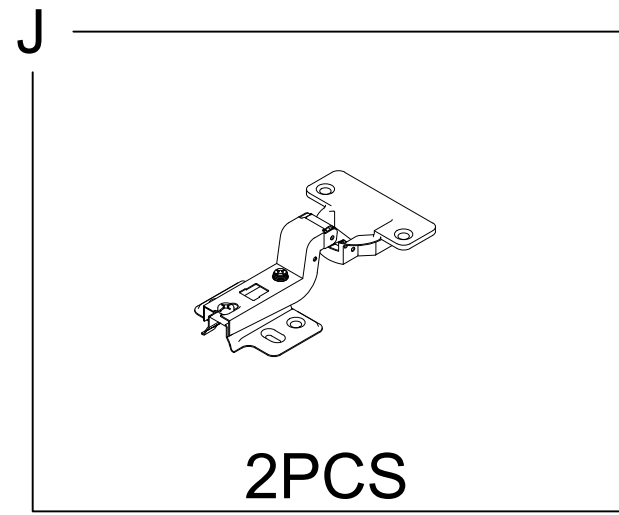
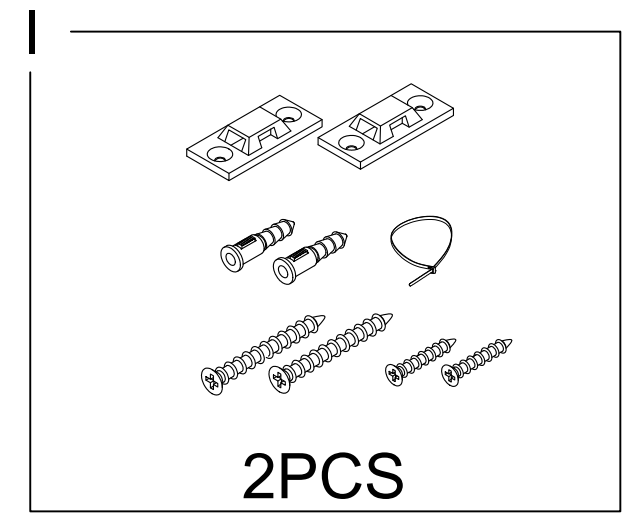
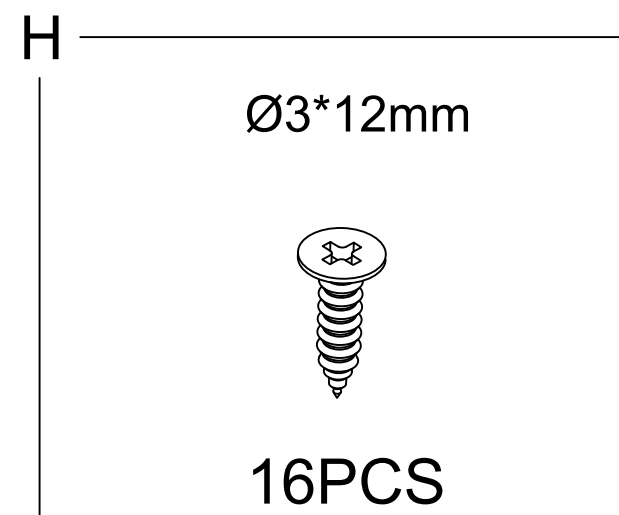
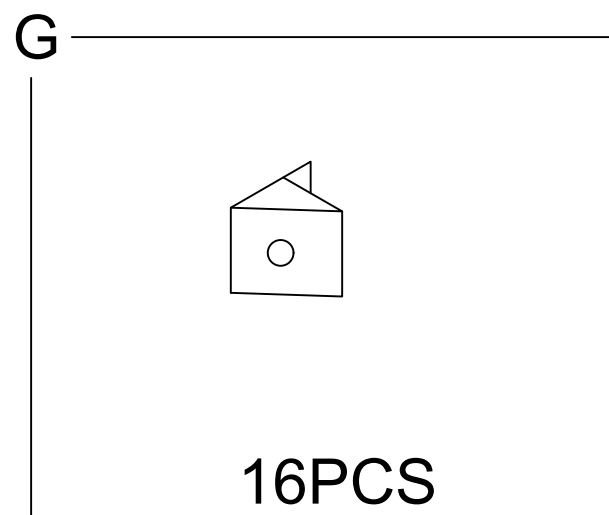
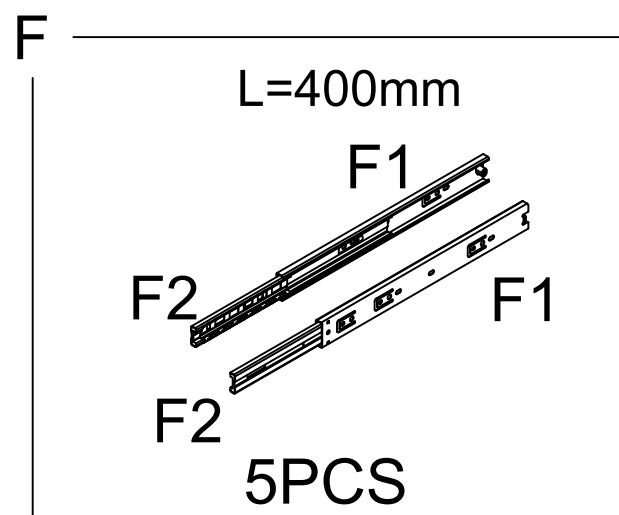
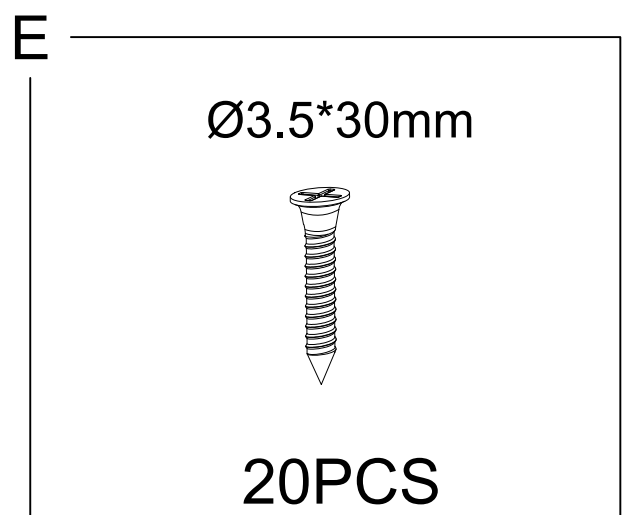
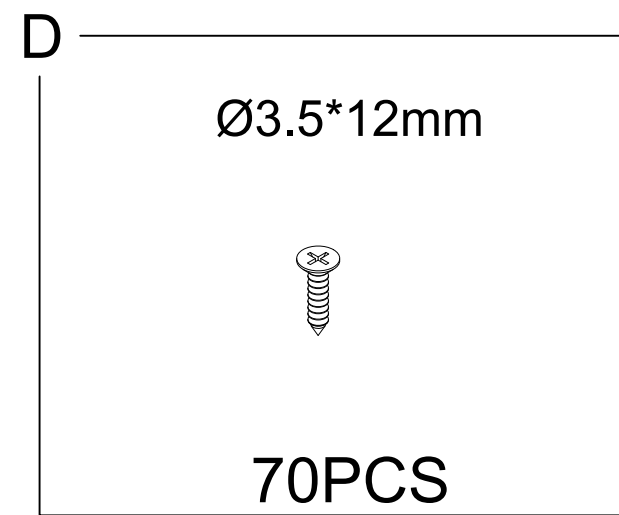
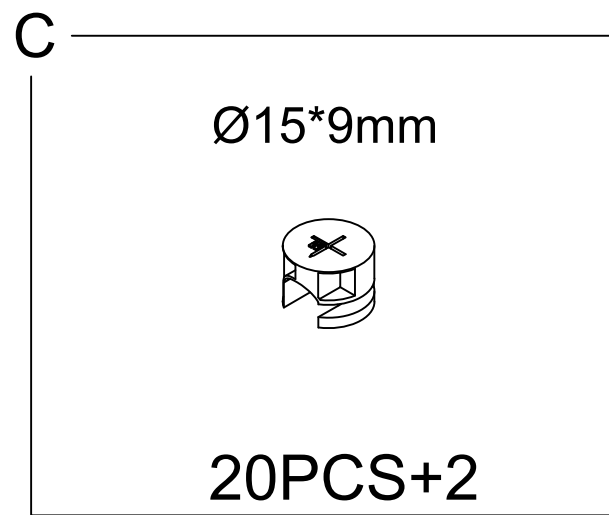
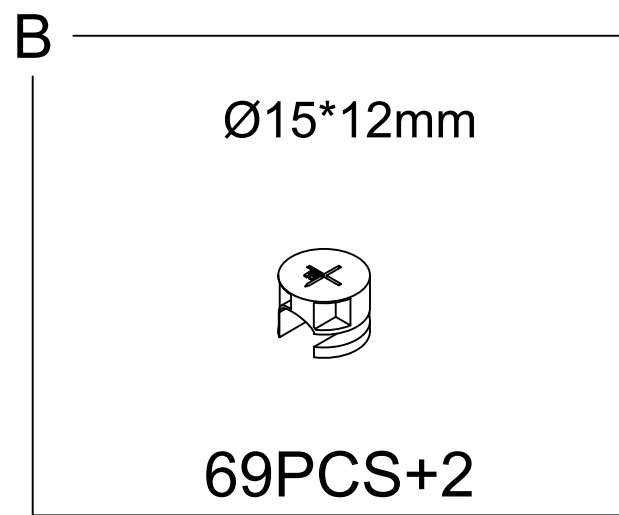
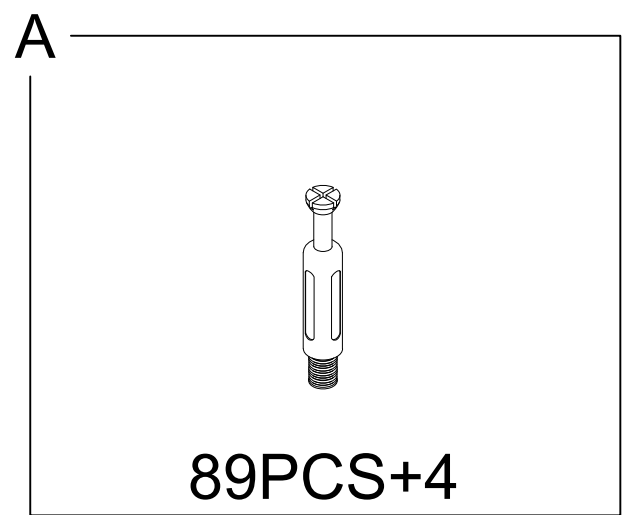
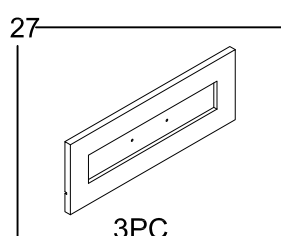
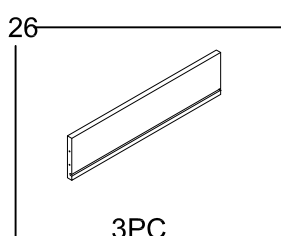
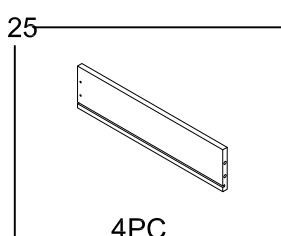
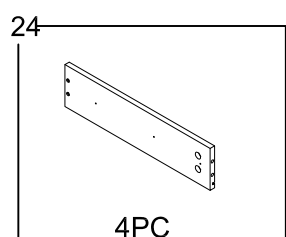
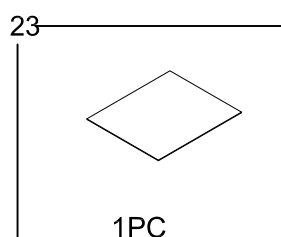
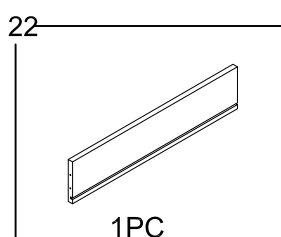
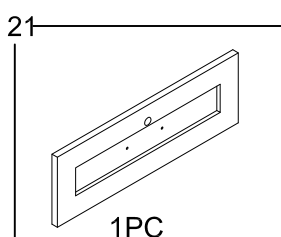
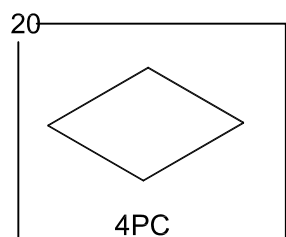
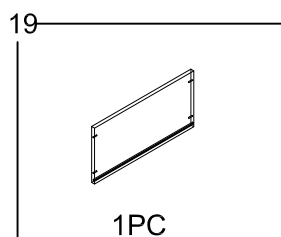
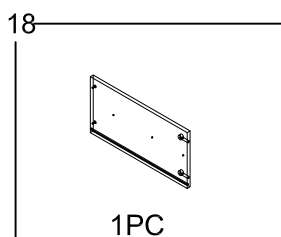
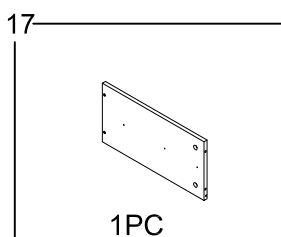
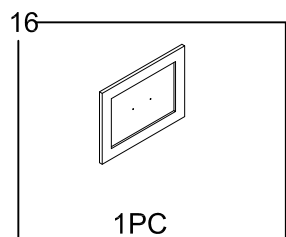
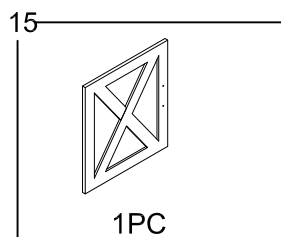
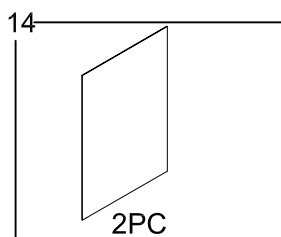
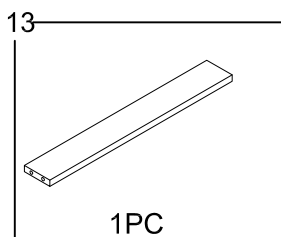
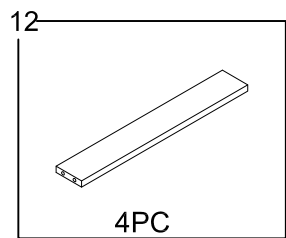
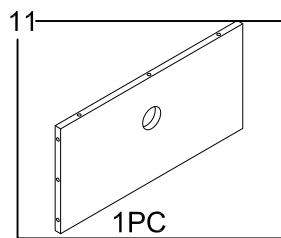
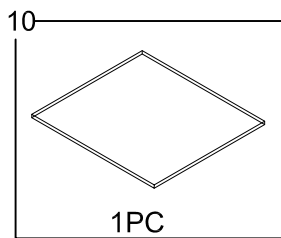
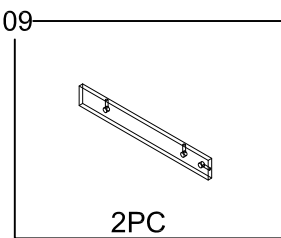
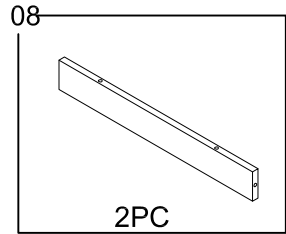
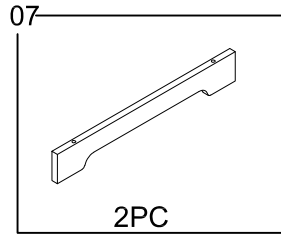
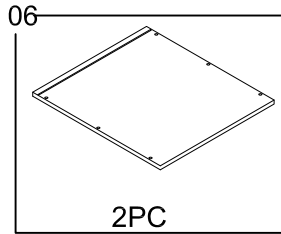
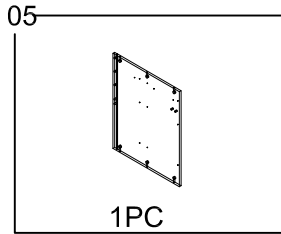
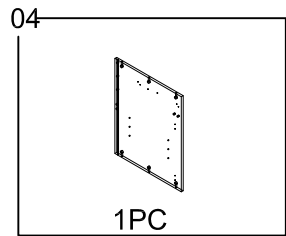
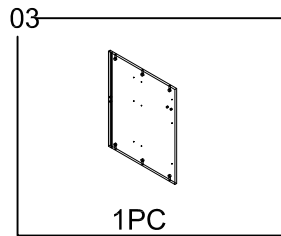
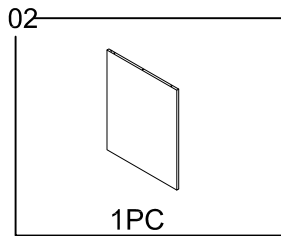
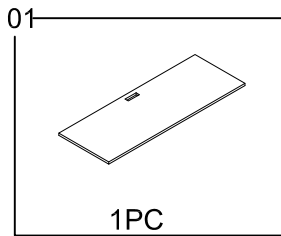




# EXPLODED DRAWING:



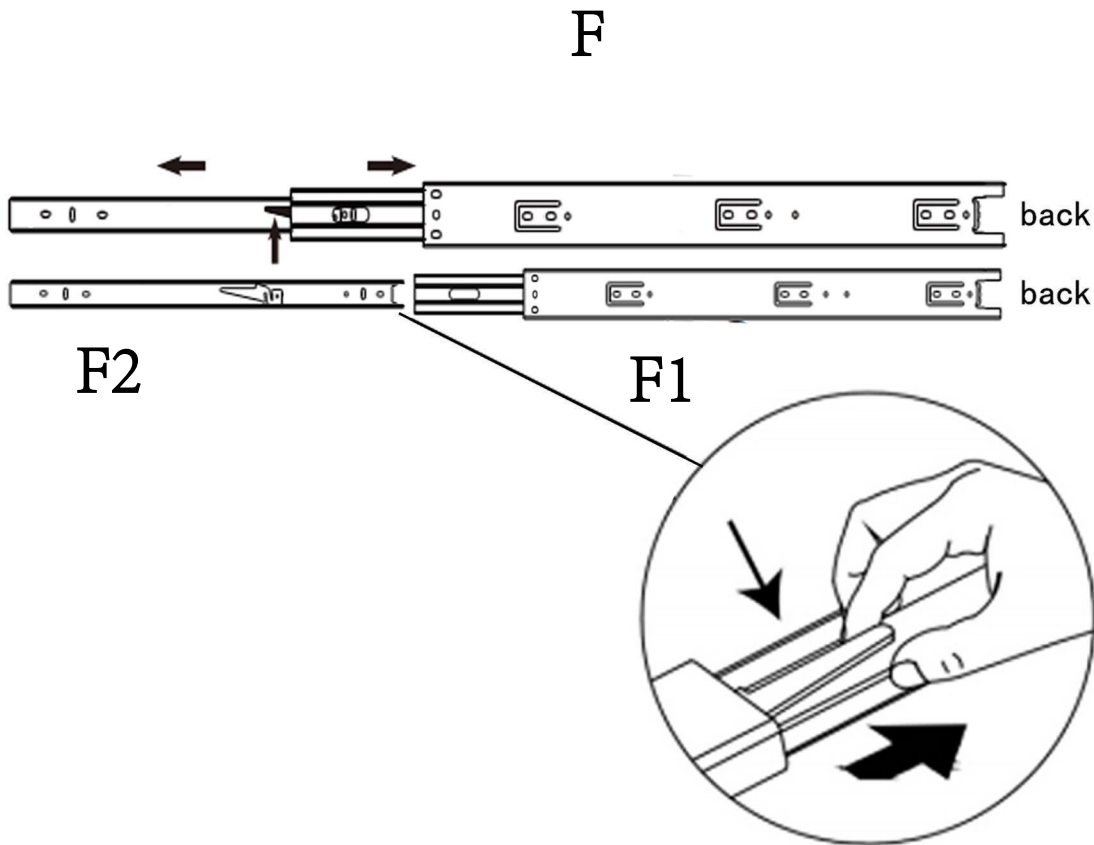




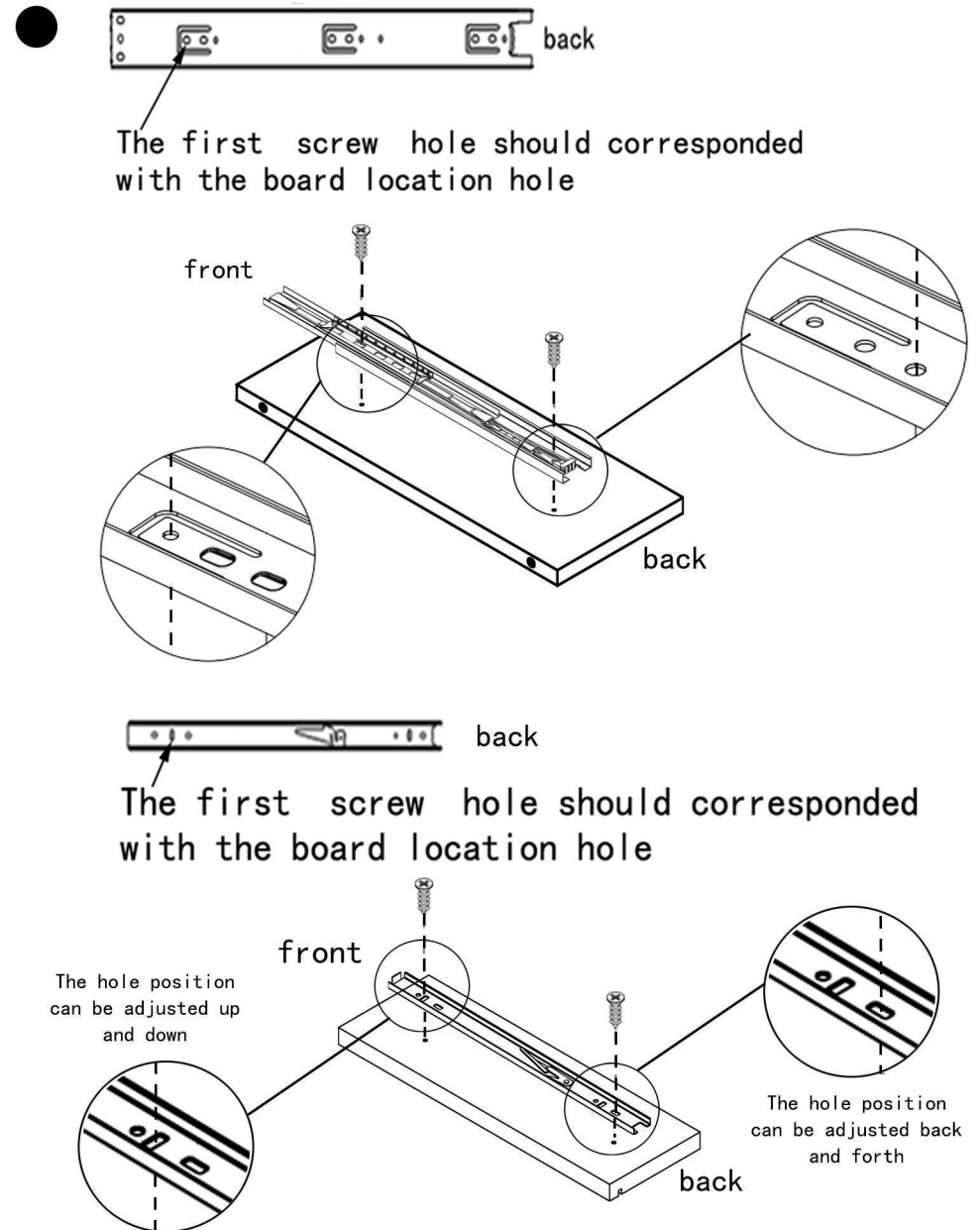


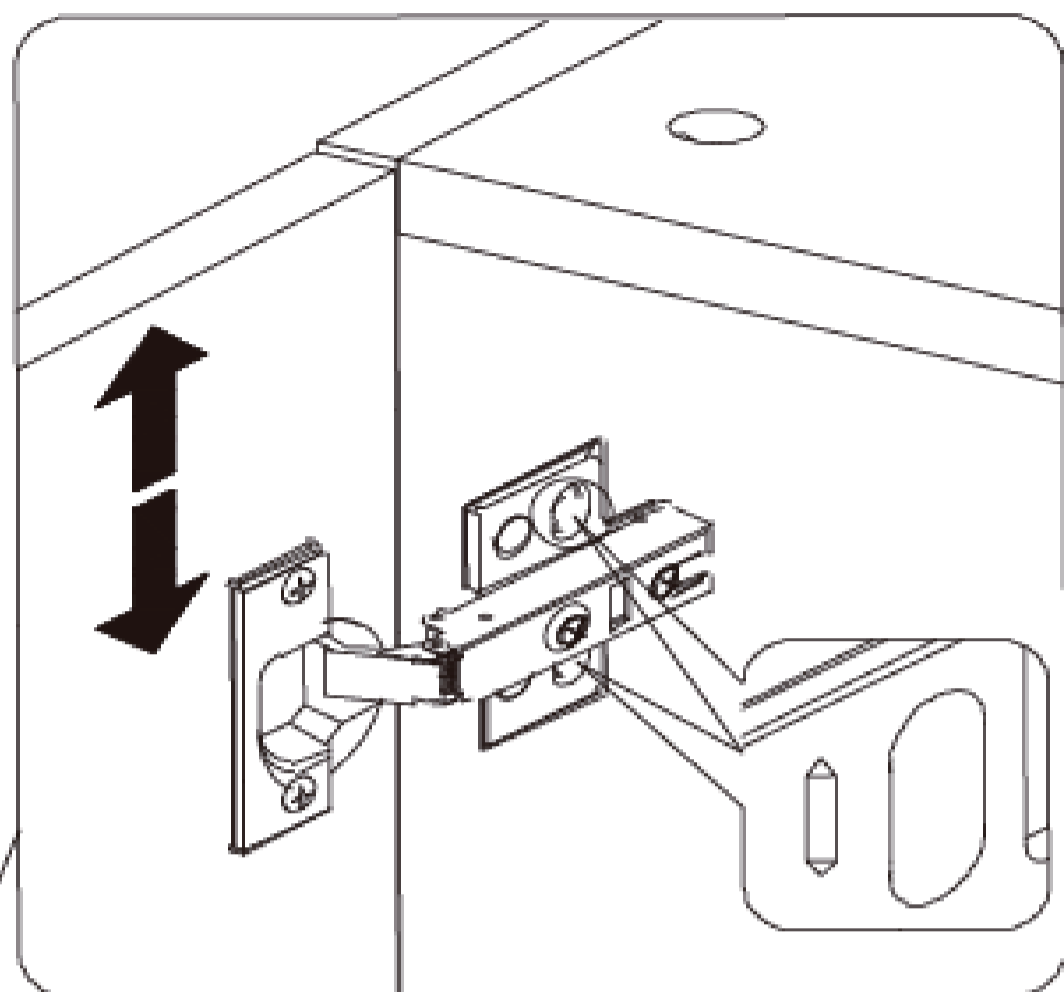
# Hardware installation demonstration

- Before installing the drawer rail, you need to separate the F/F1 and F/F2 first.

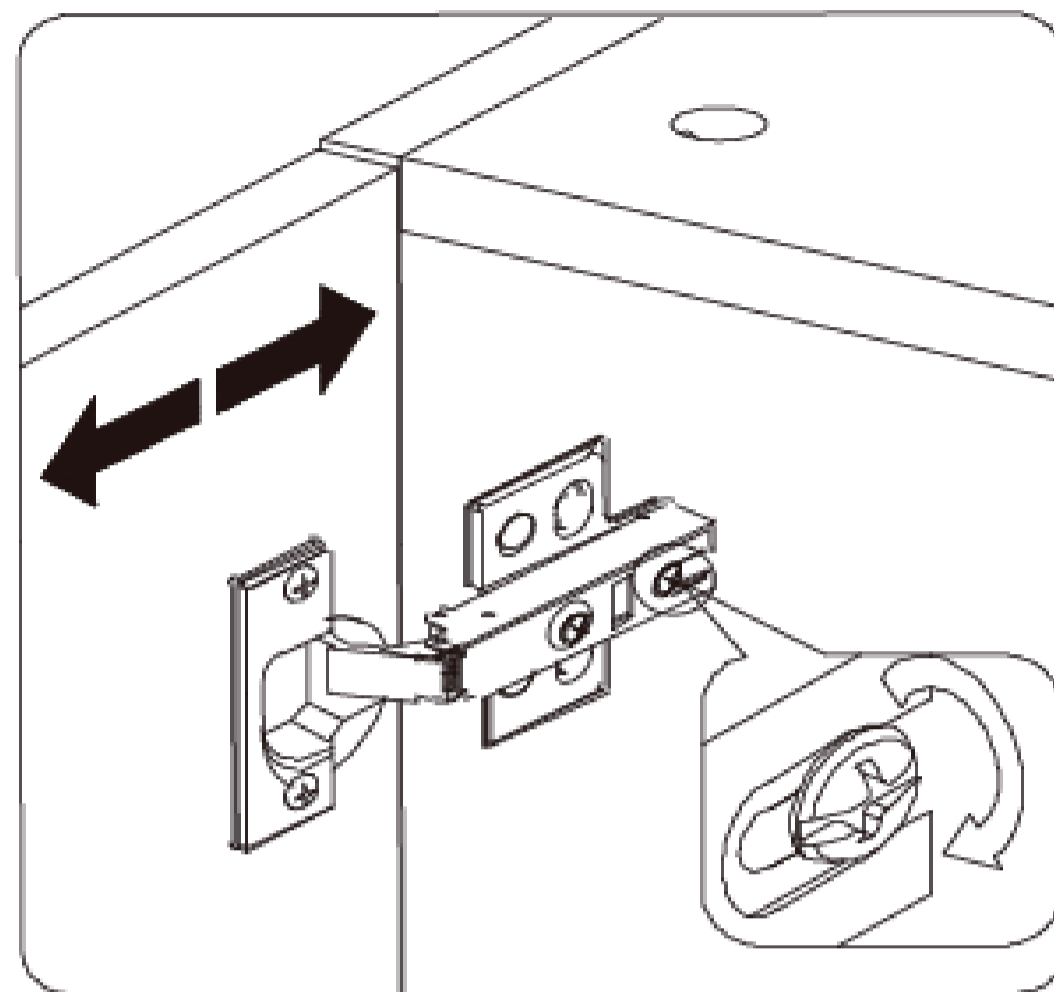


Warm Reminder: Press it and split

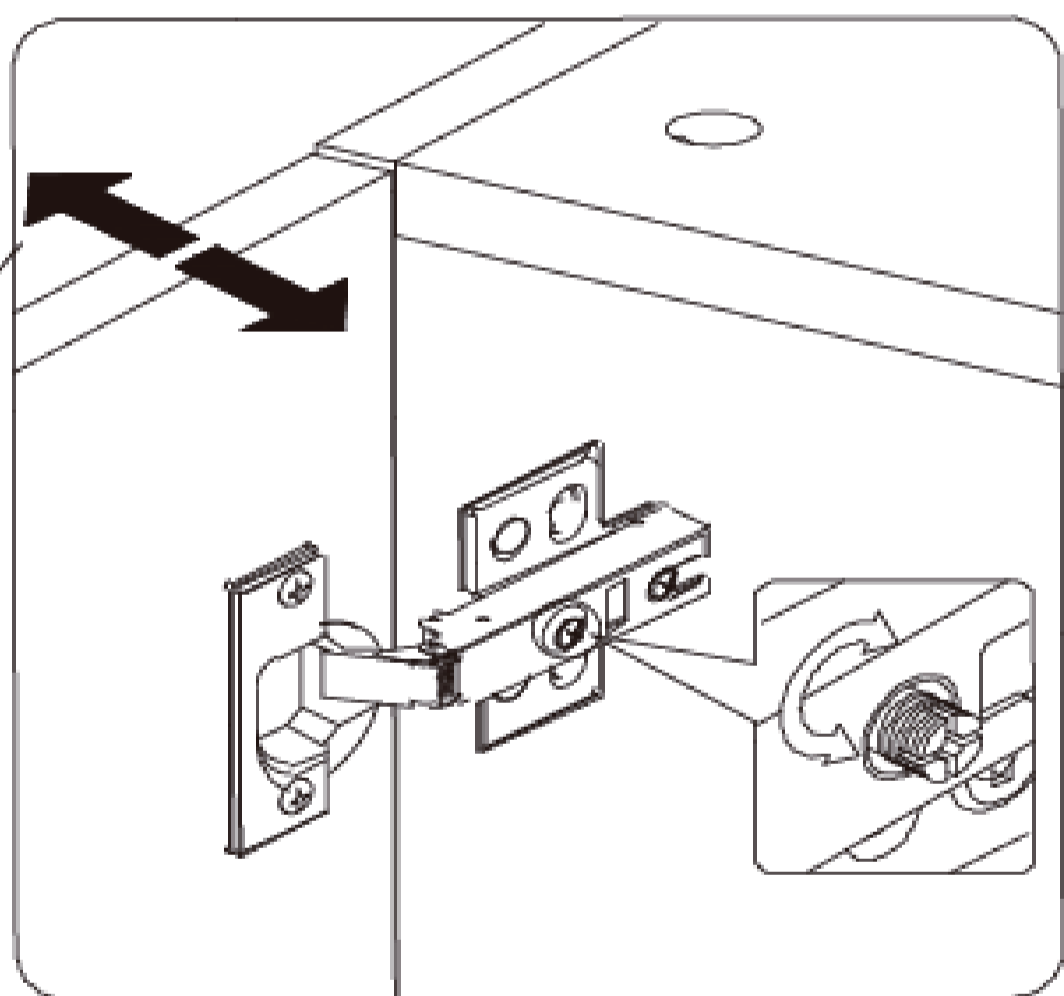




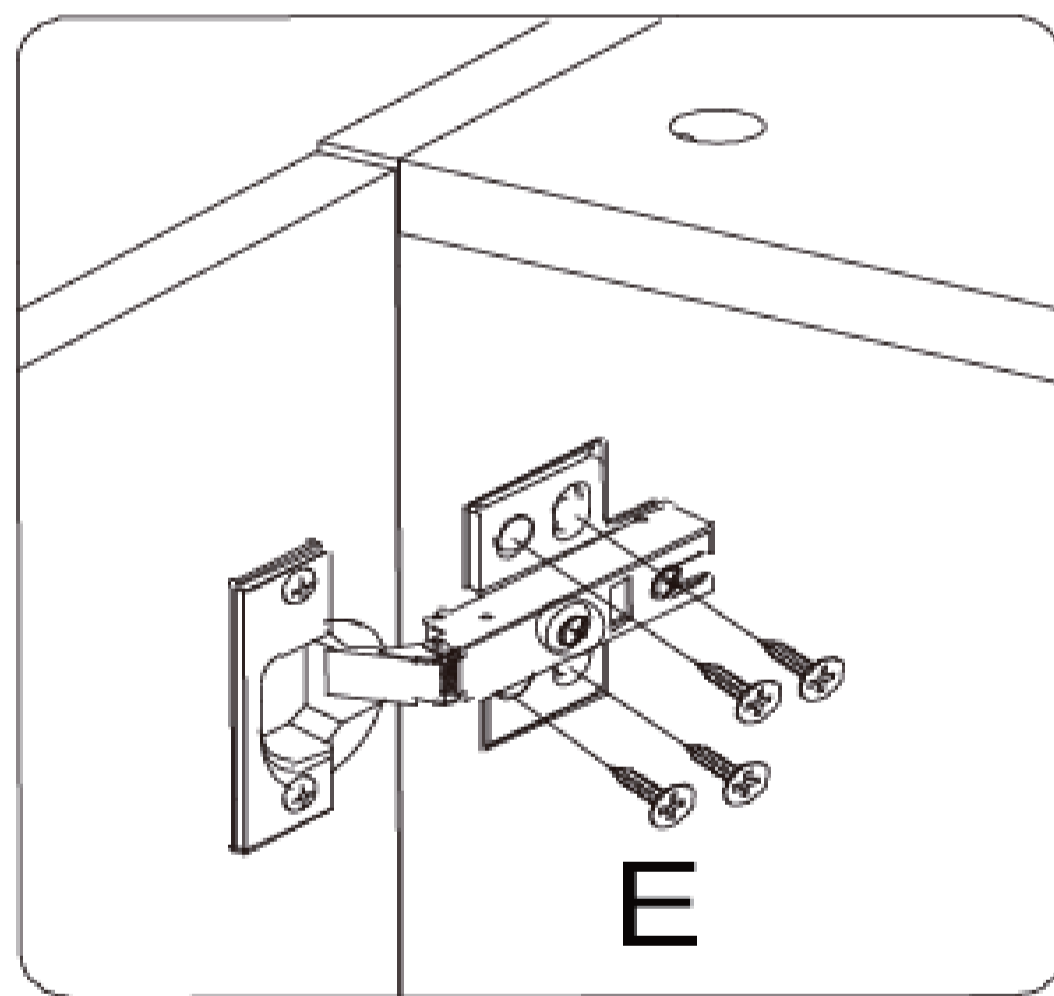
Up and down adjustment position



Front and rear adjustment position

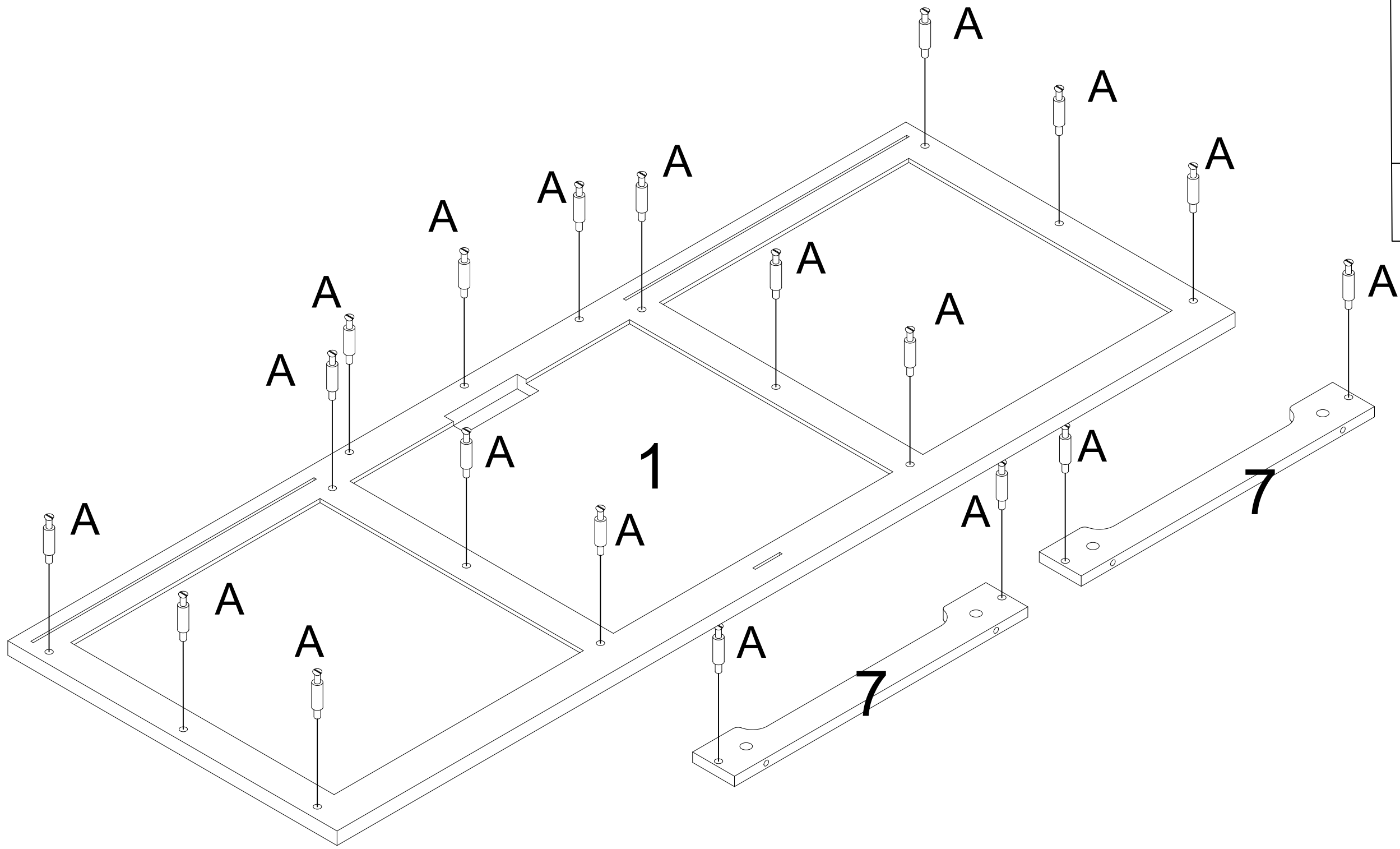


Left and right adjustable position



E

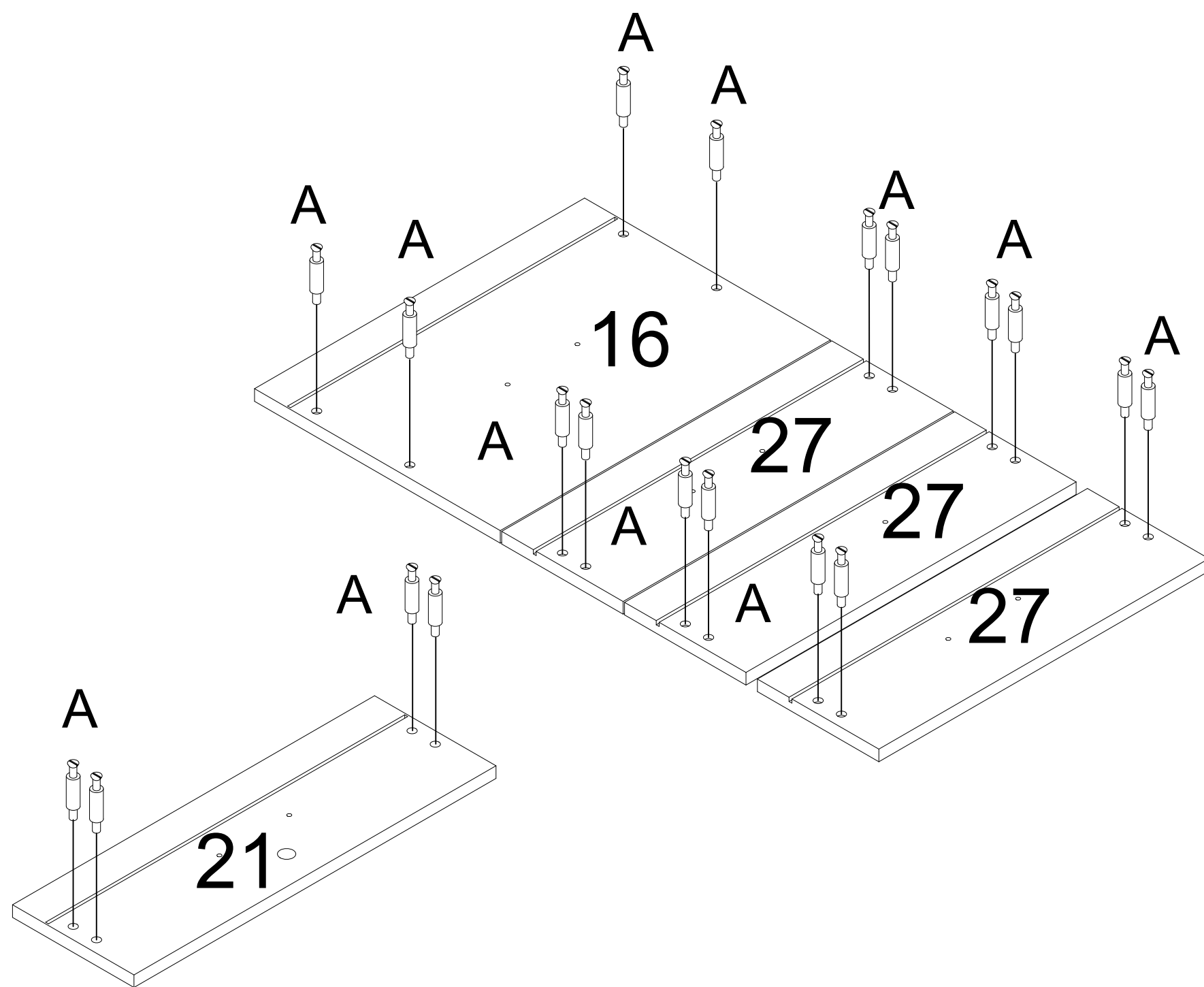
# STEP 1



1\*1

7\*2

# STEP 2



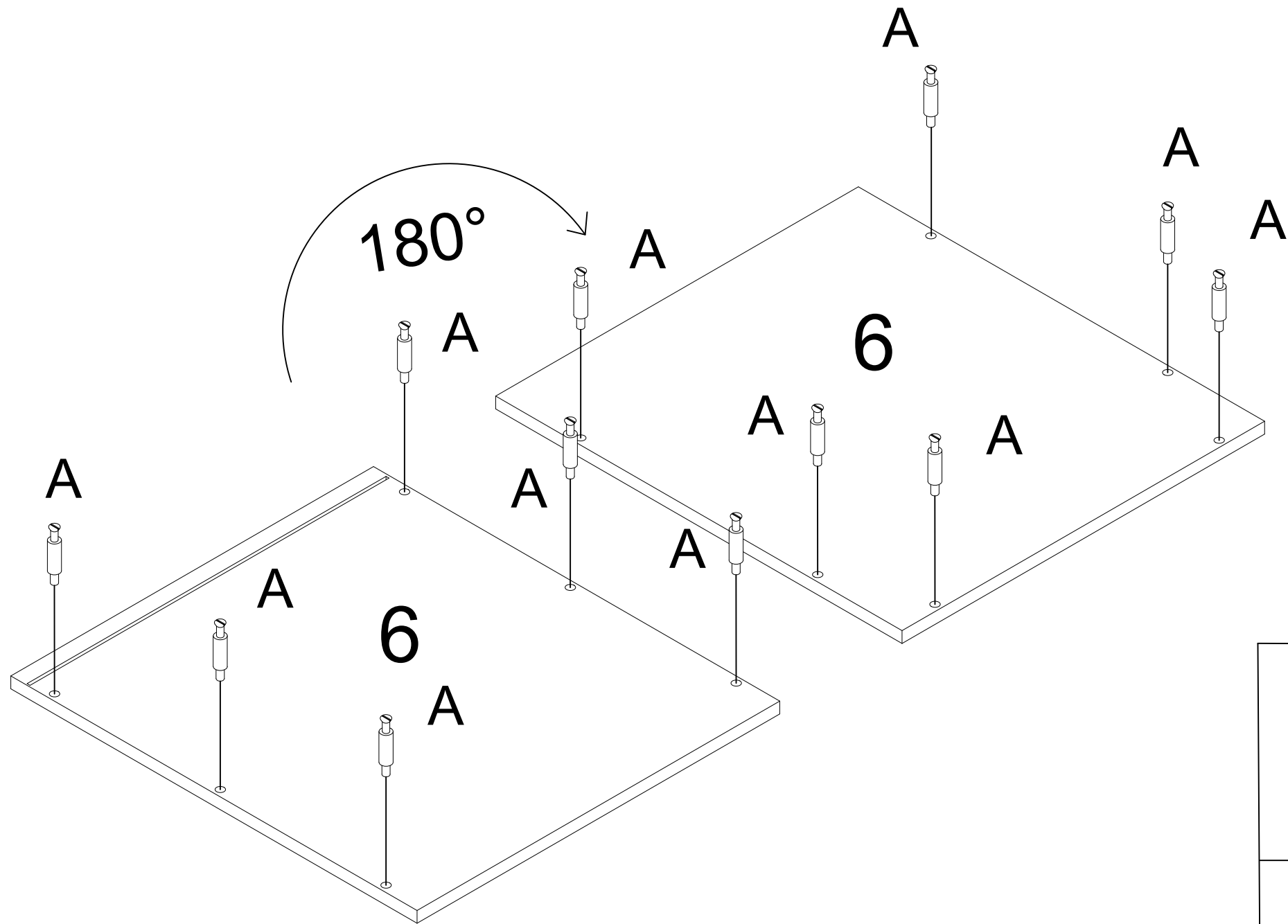
16\*1


21\*1

27\*3

# STEP 3

6\*2

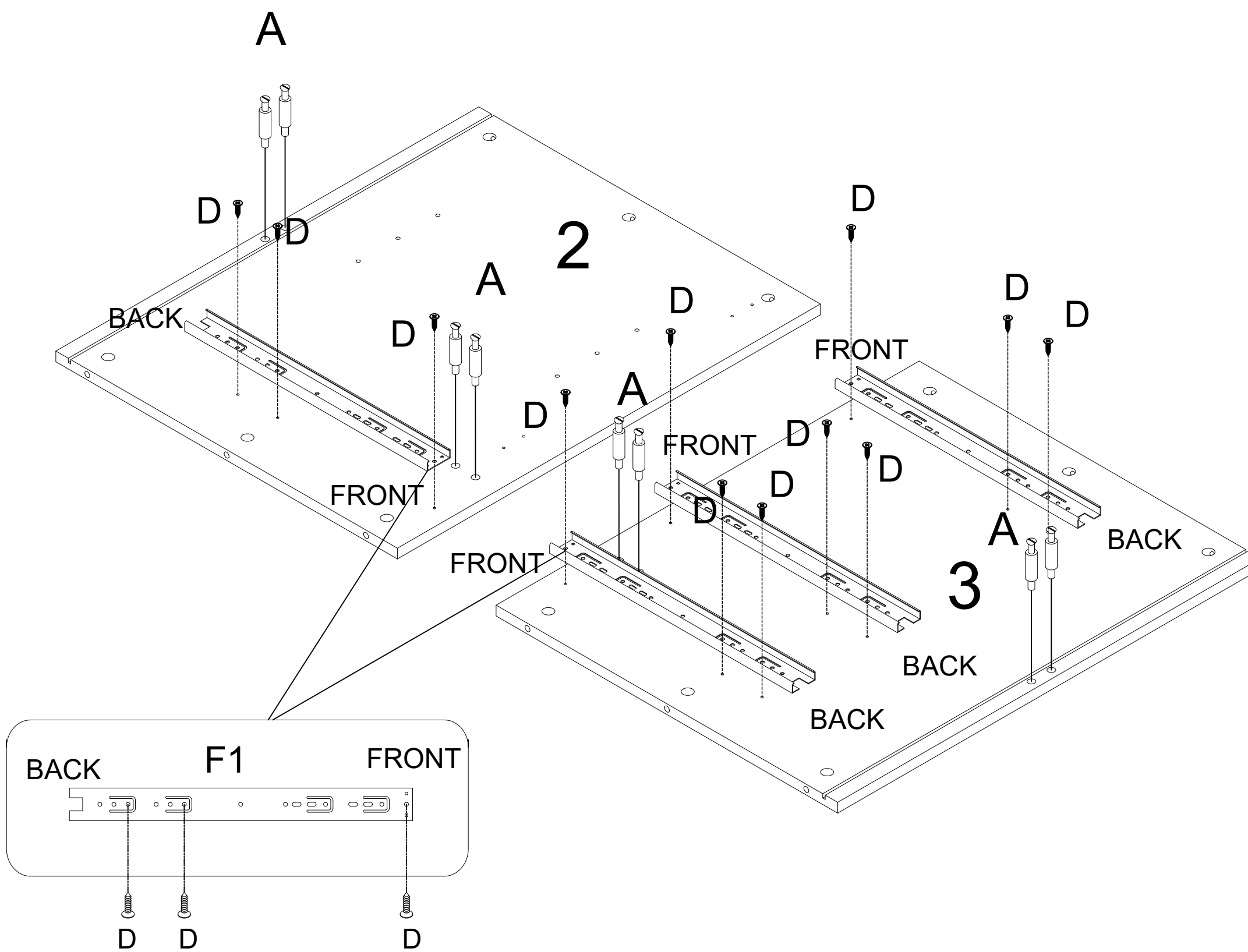



	
Ø8*40mm	
A	x24


# STEP 4

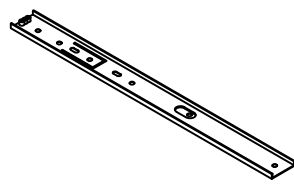
2\*1

3\*1



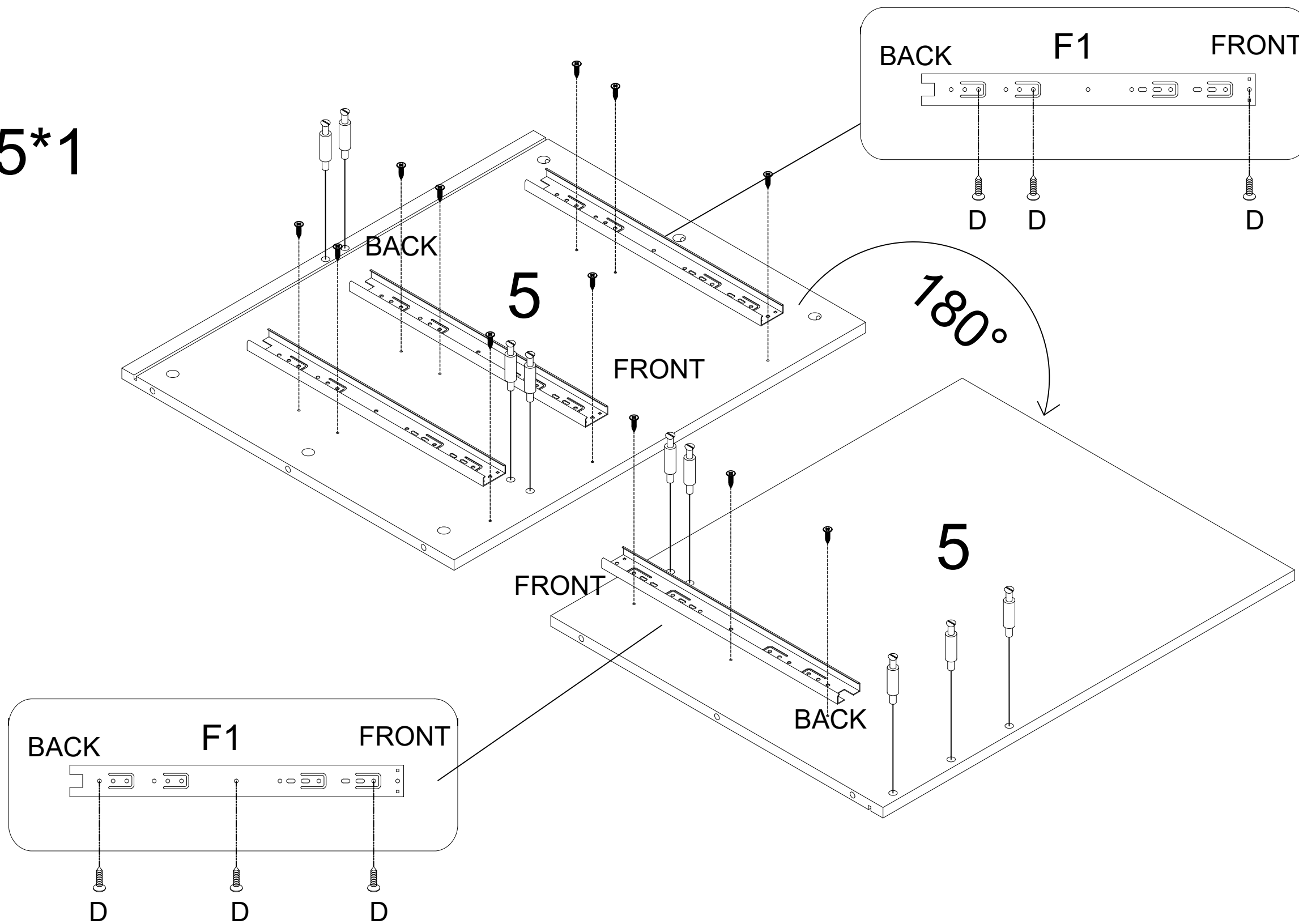
	
Ø8*40mm	
A	x8

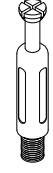

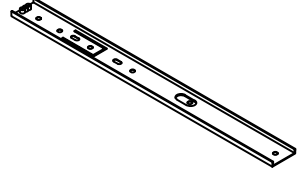
	
Ø3.5*12mm	
D	x12

	
F1	x4

# STEP 5

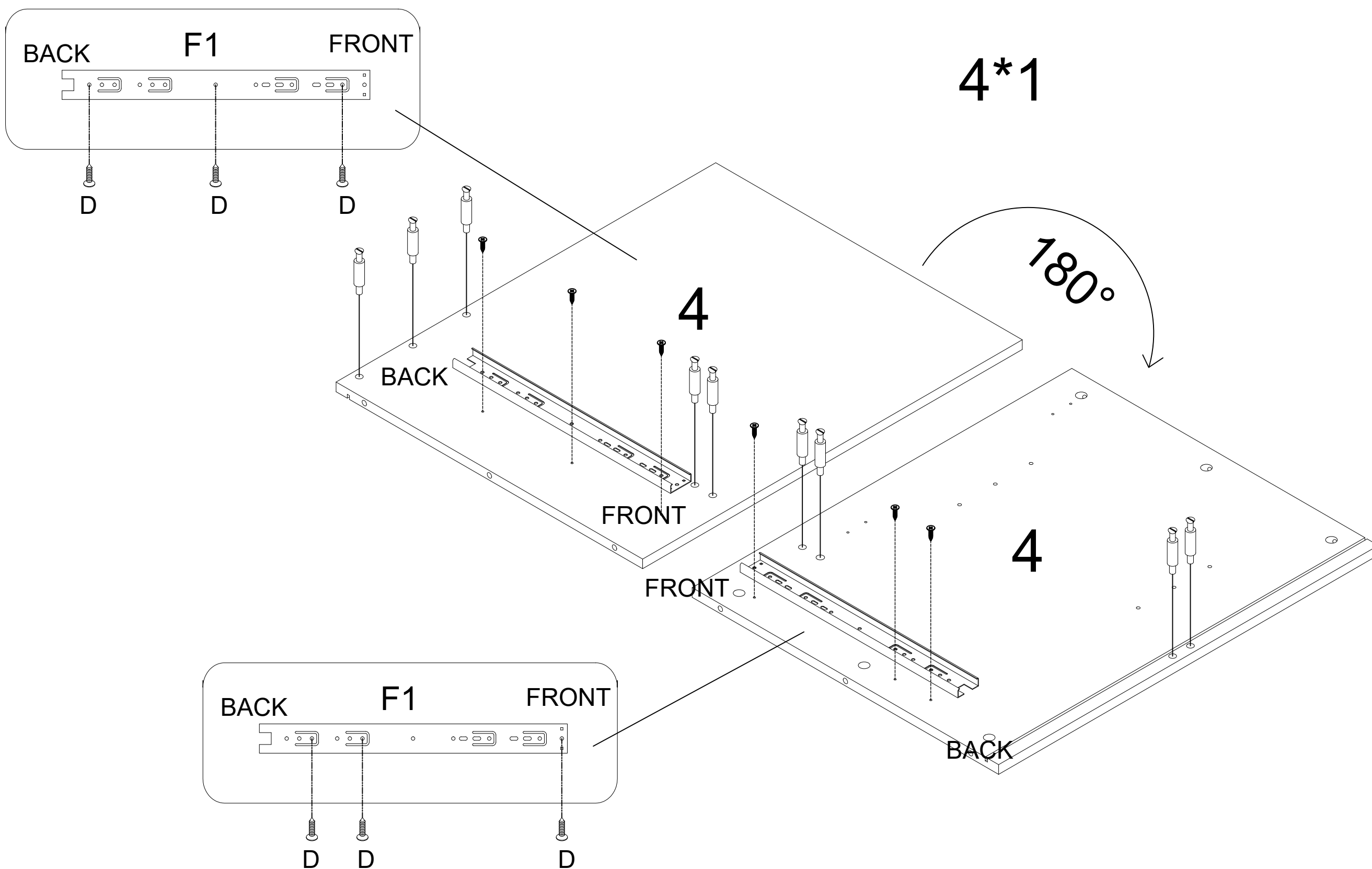
5\*1



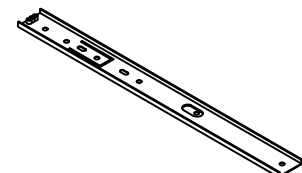


	
Ø8*40mm	
A	x9
	
Ø3.5*12mm	
D	x12
	
F1	x4

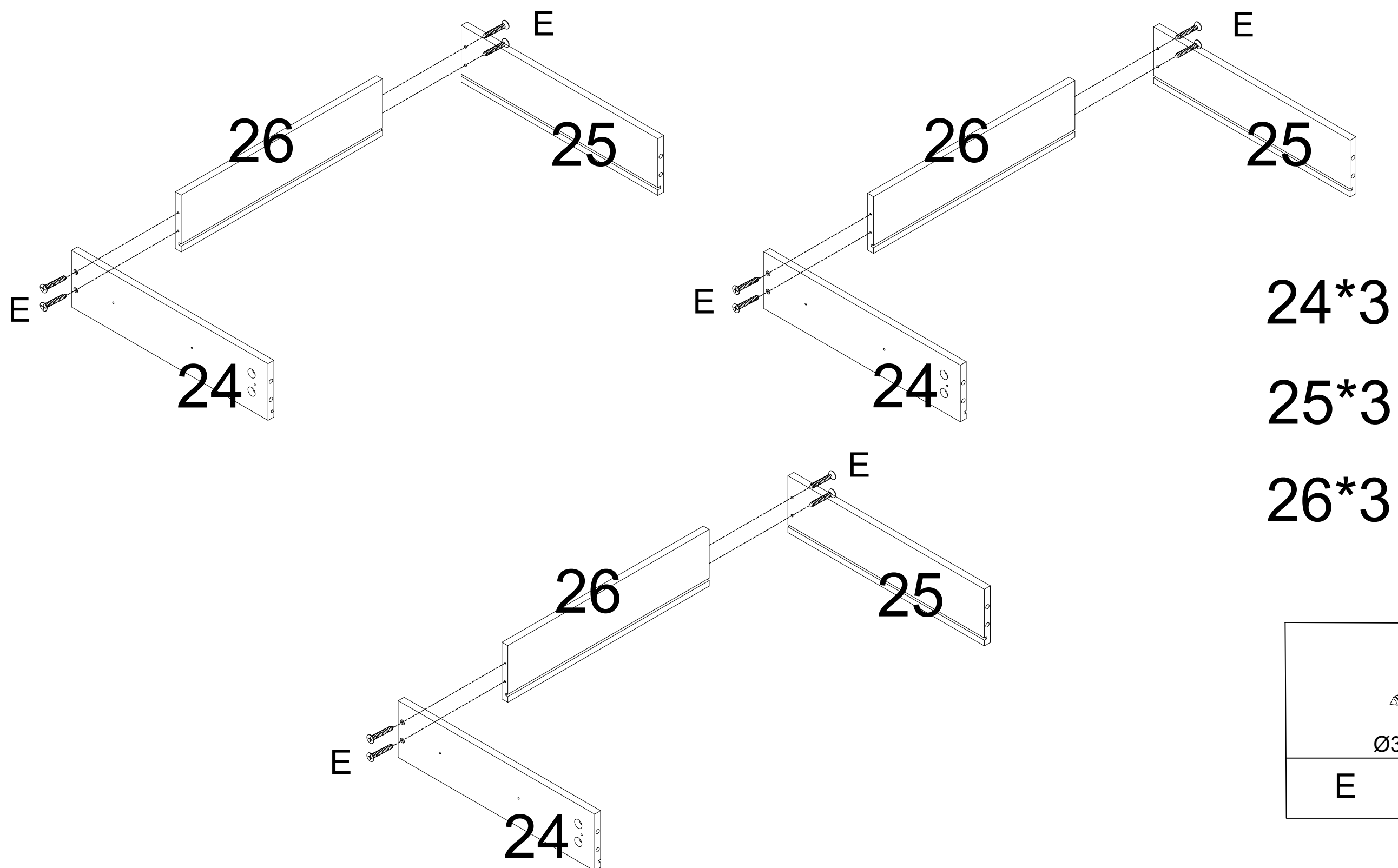
# STEP 6

4\*1

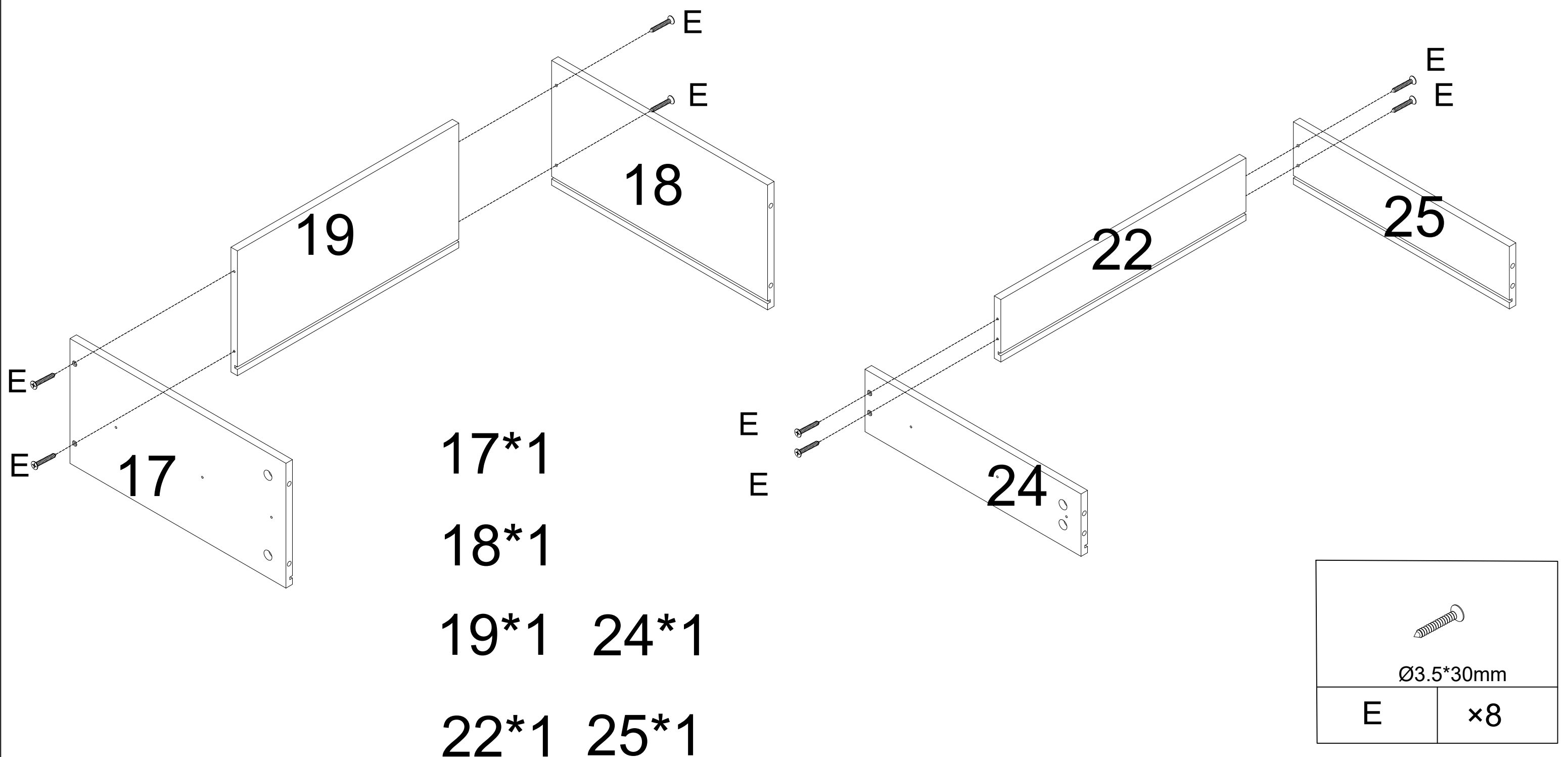


	
Ø8*40mm	
A	x9
	
Ø3.5*12mm	
D	x6
	
F1	x2

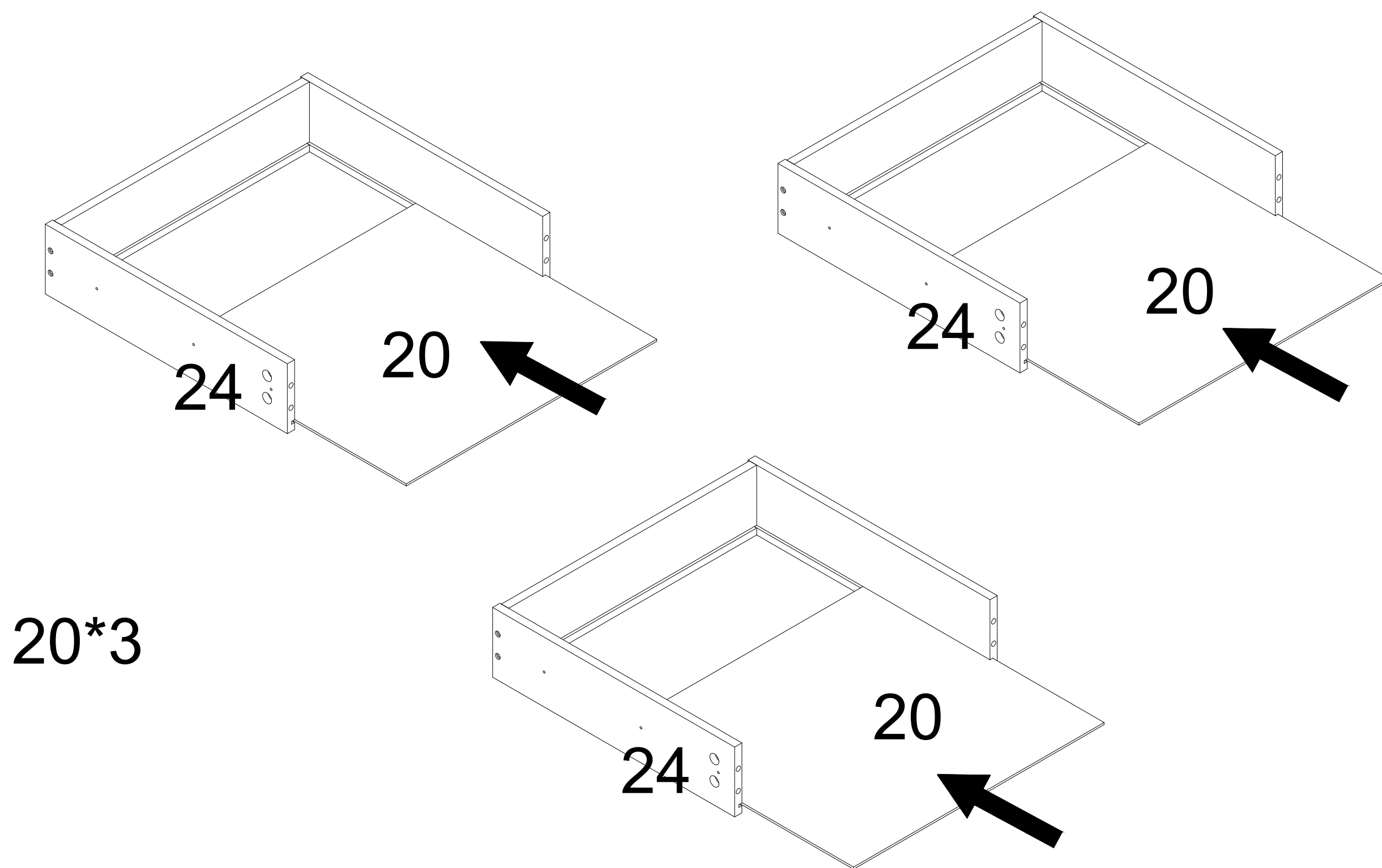
# STEP 7



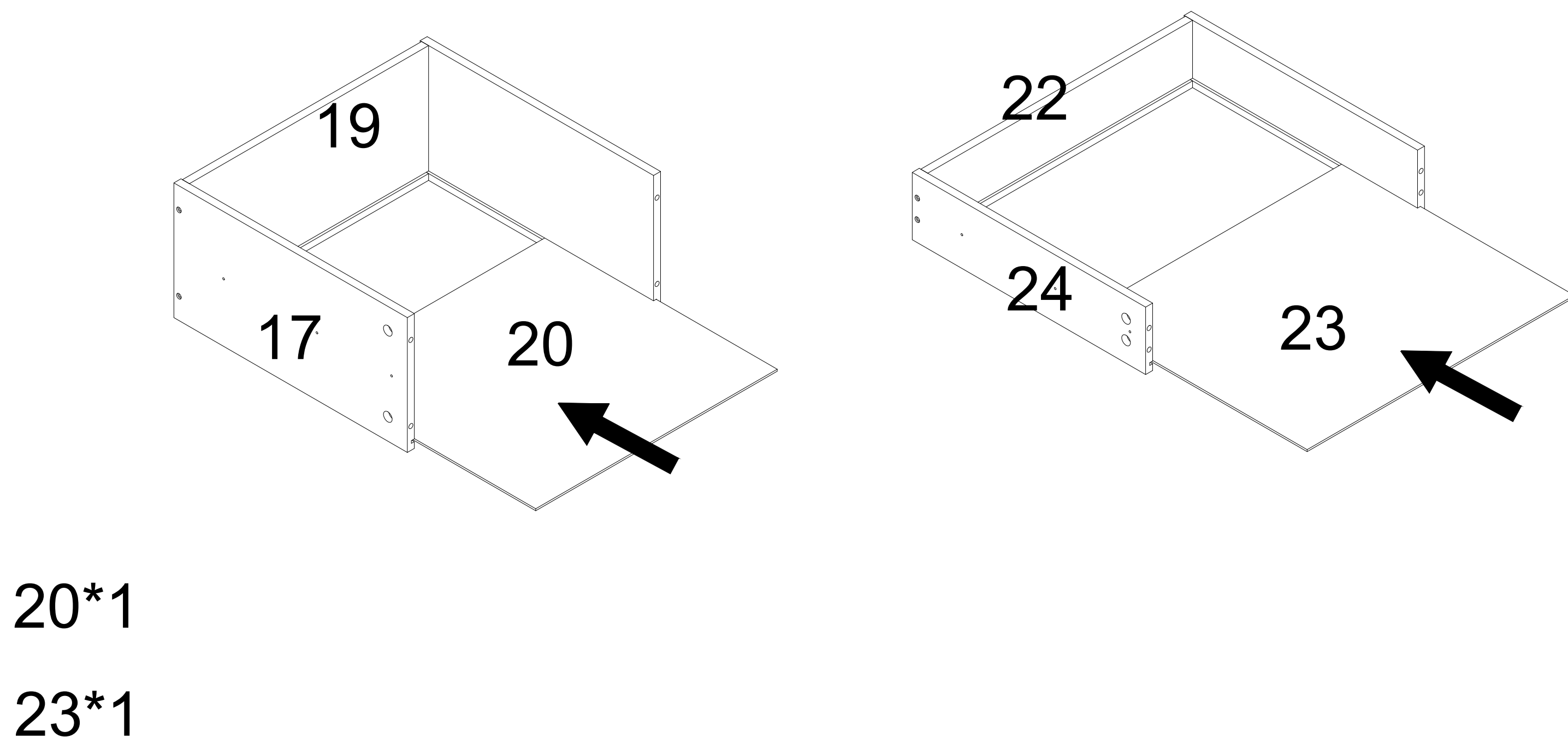
# STEP 8



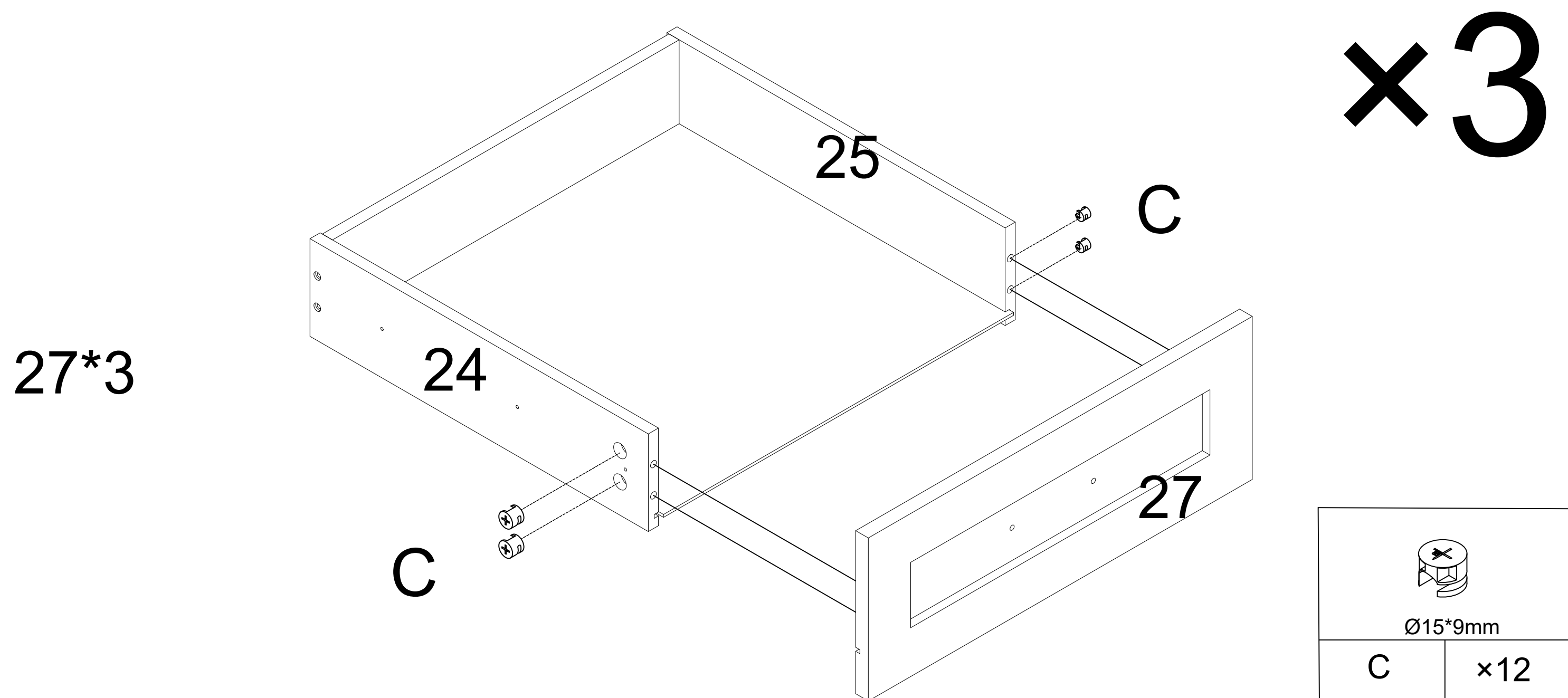
# STEP 9



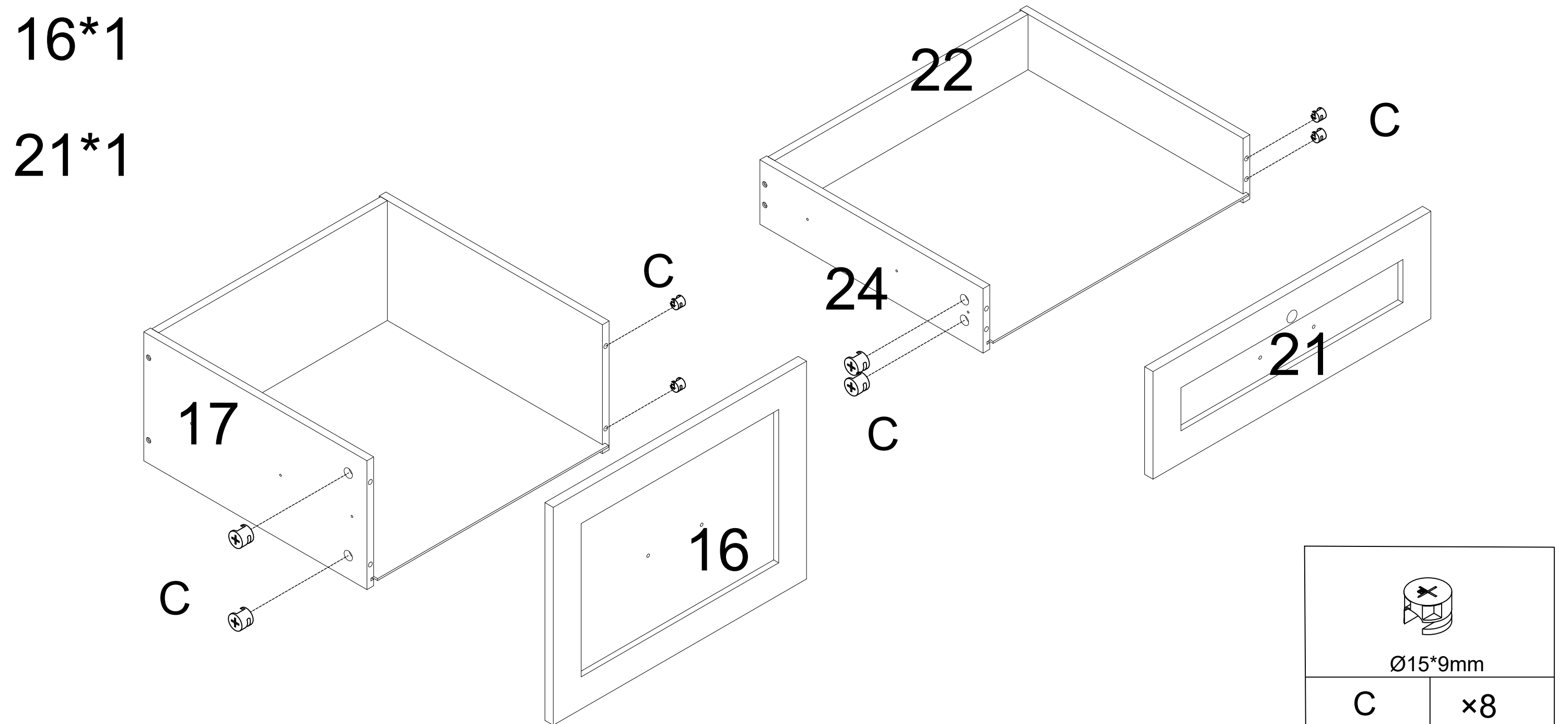
# STEP 10



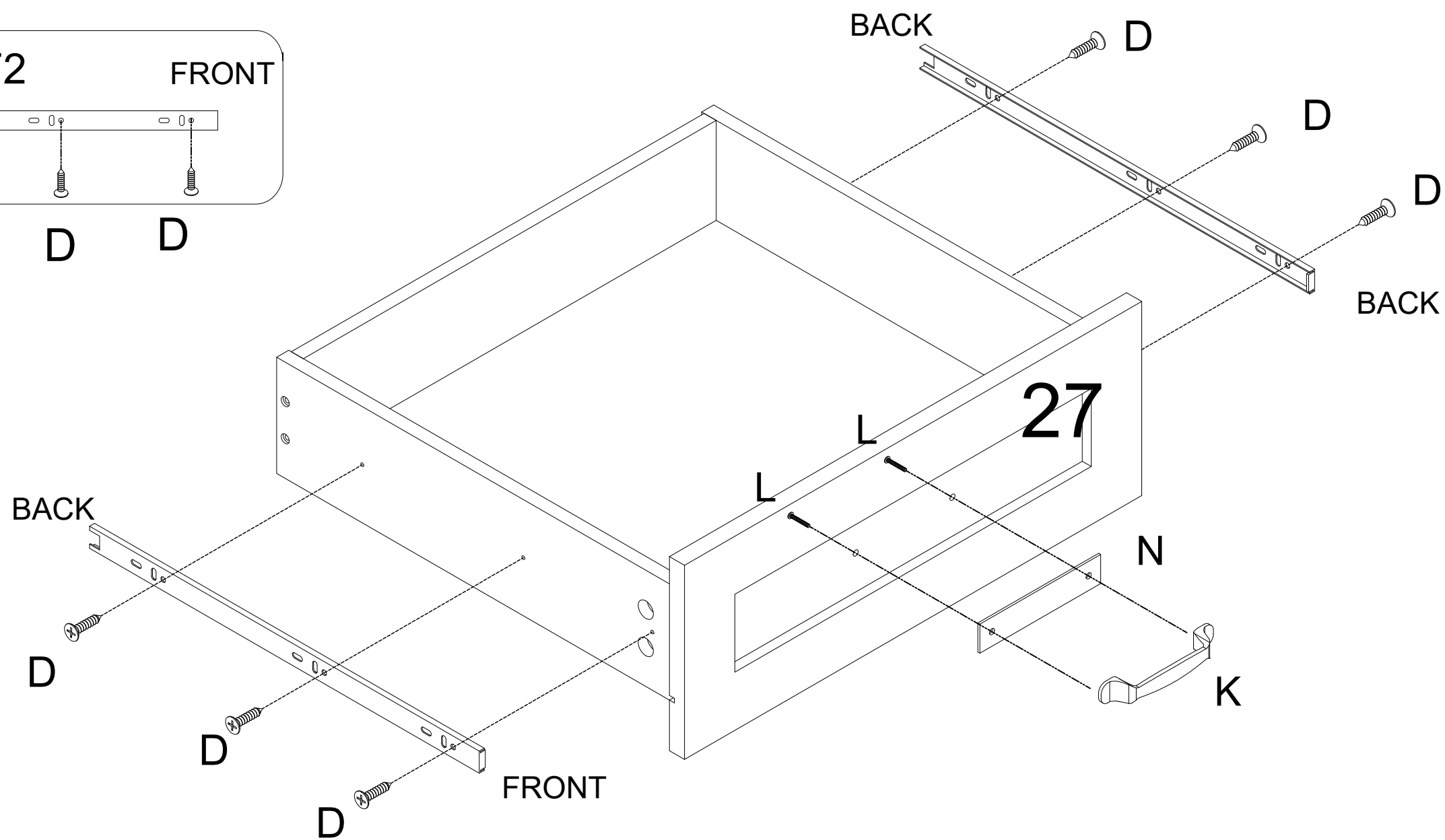
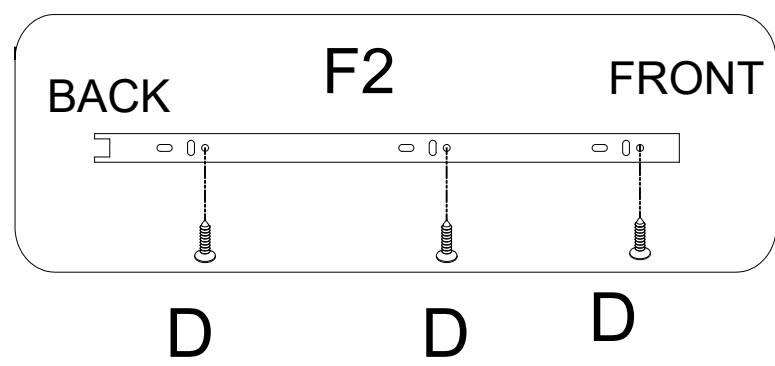
# STEP 11



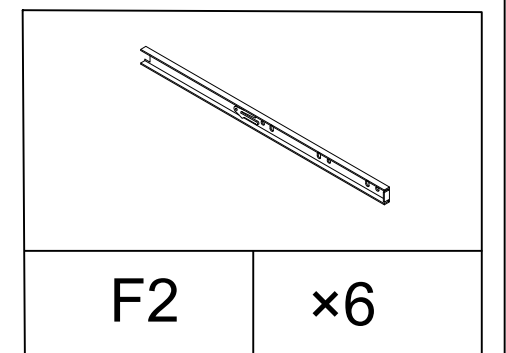
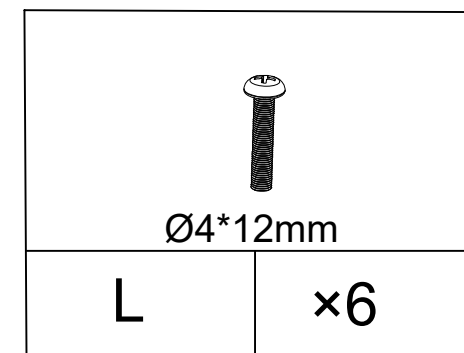
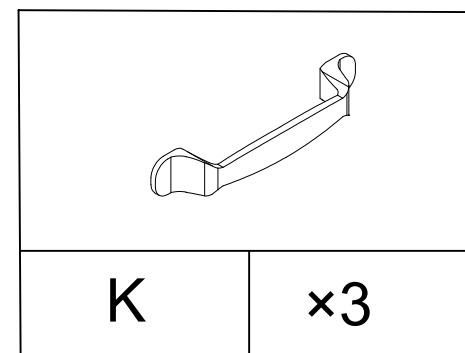
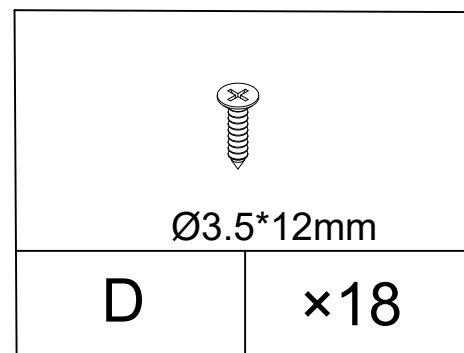
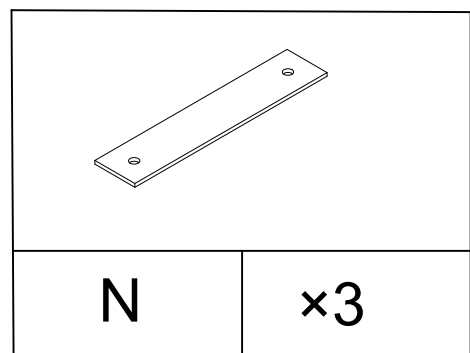
# STEP 12



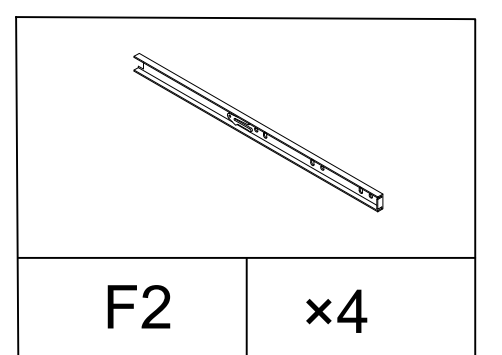
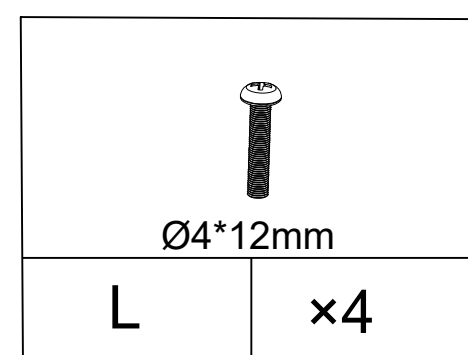
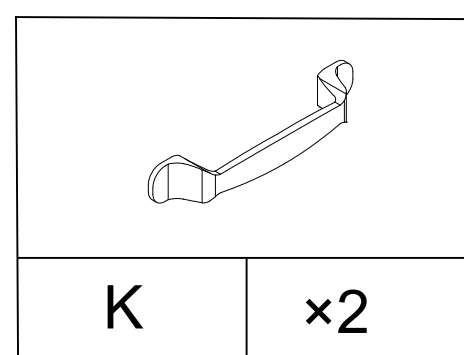
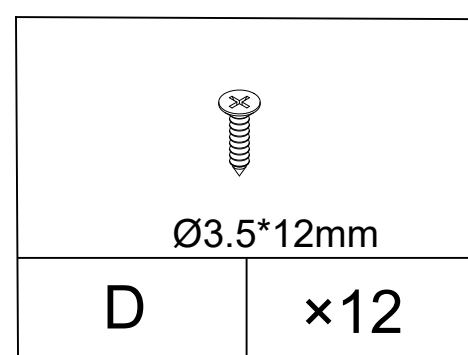
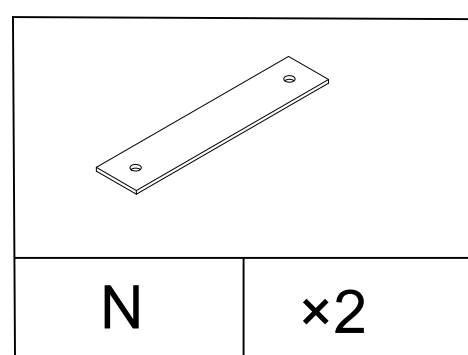
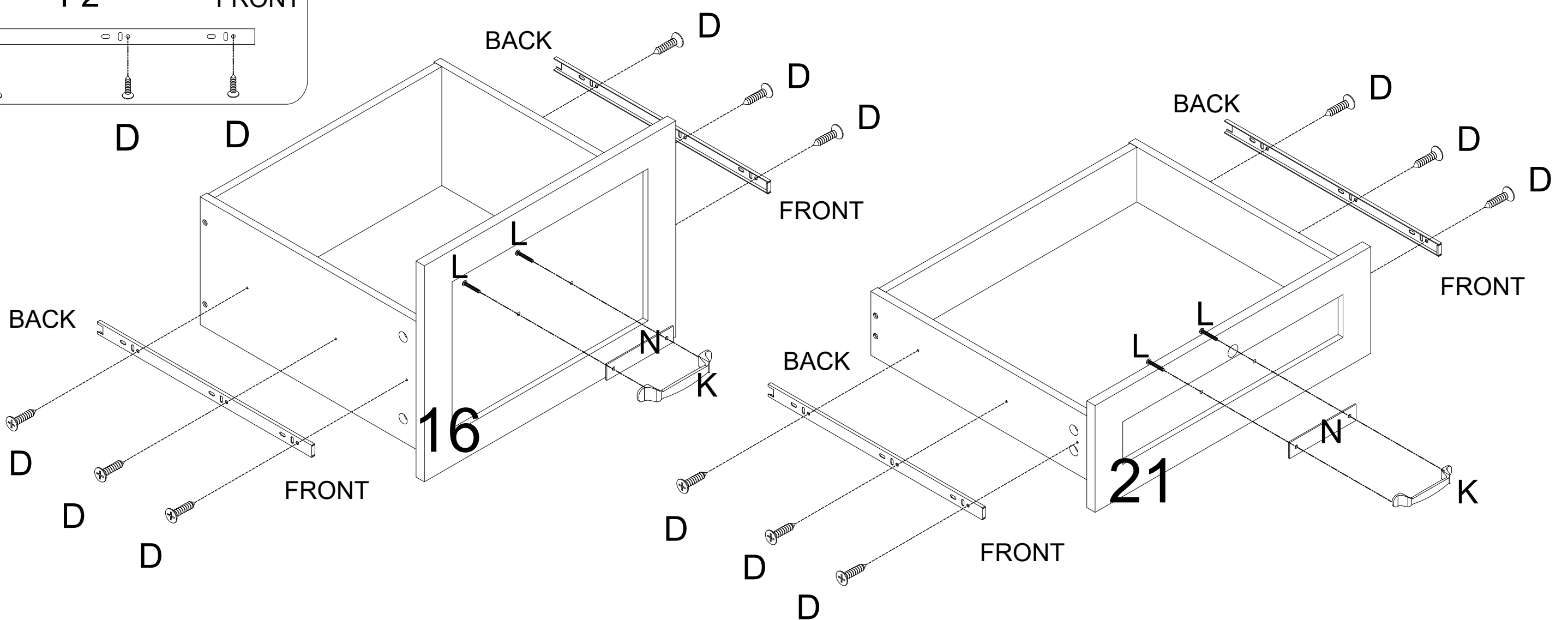
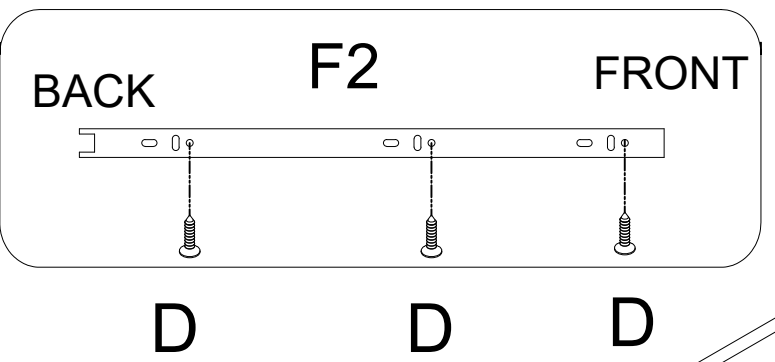
# STEP 13



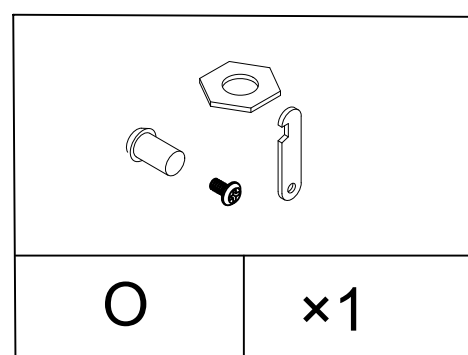
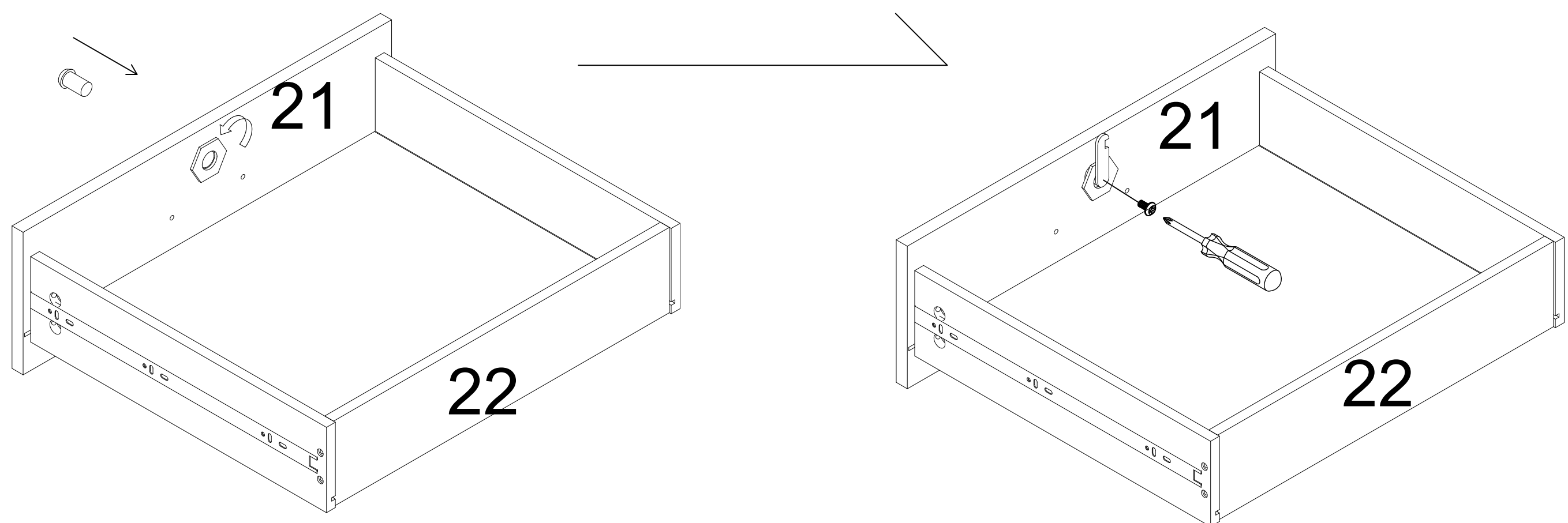
**x3**



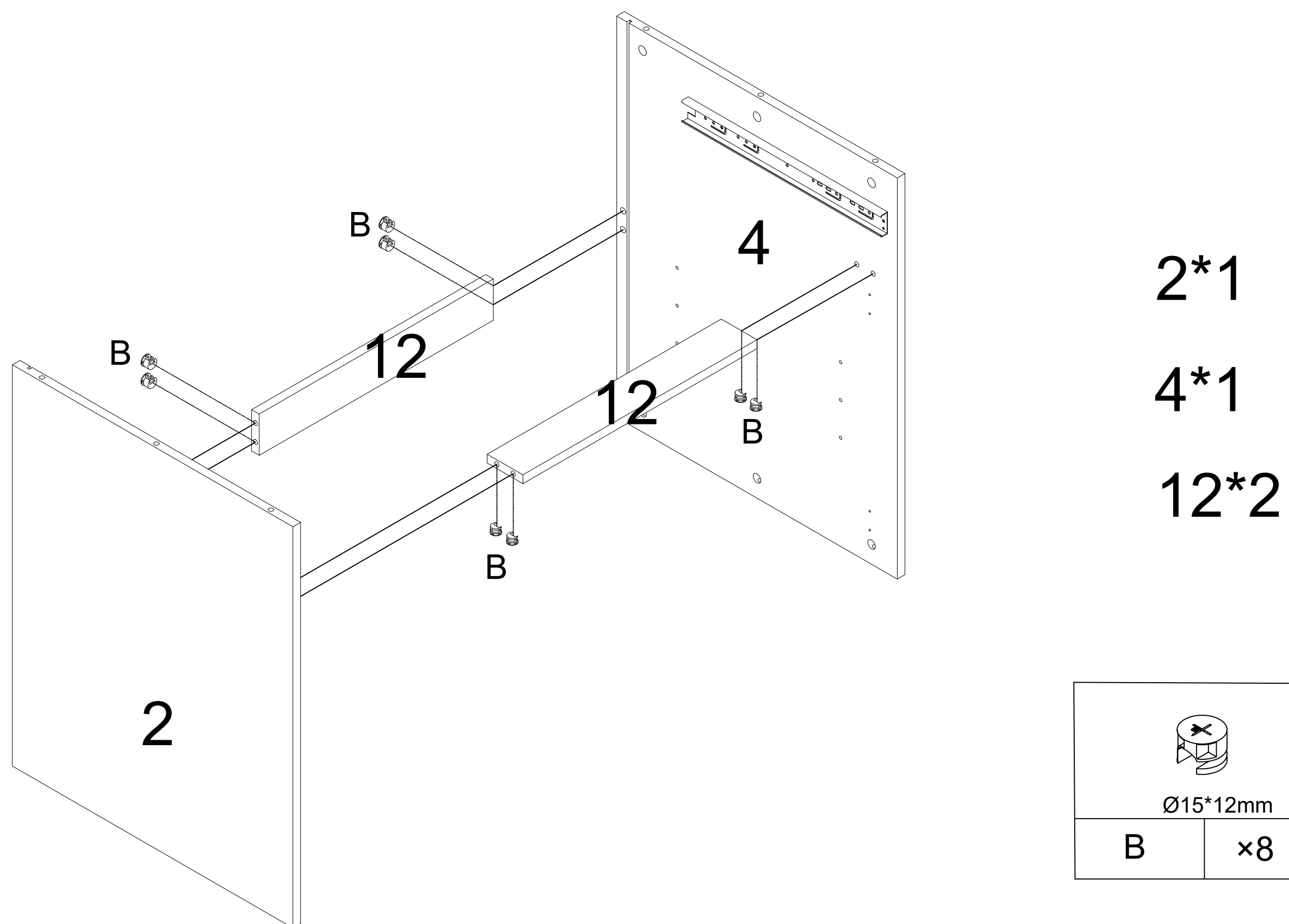
# STEP 14



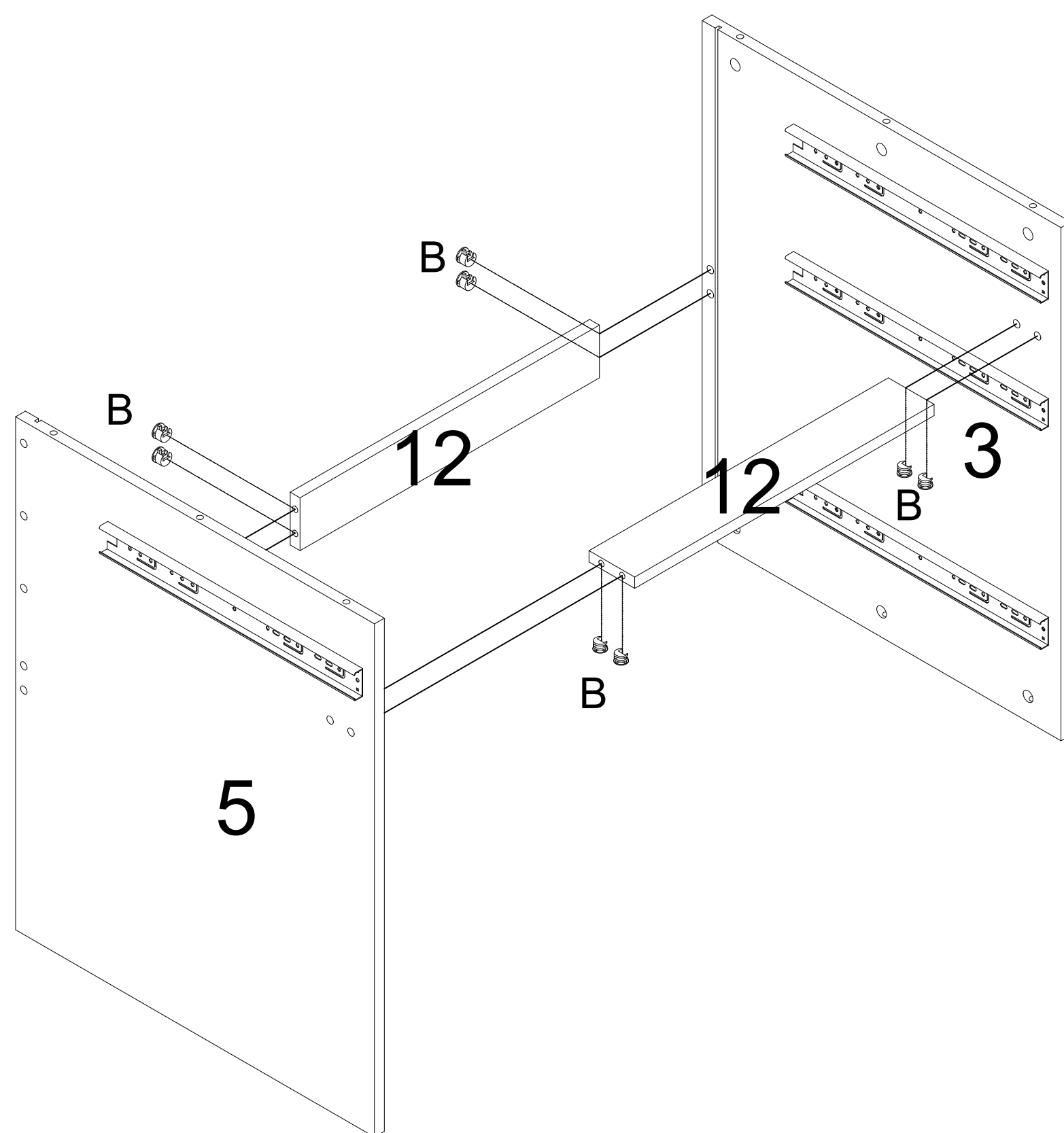
# STEP 15



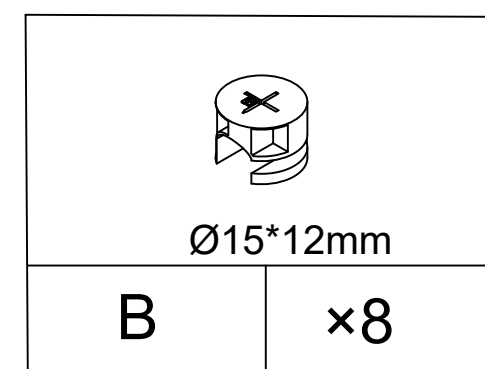
# STEP 16



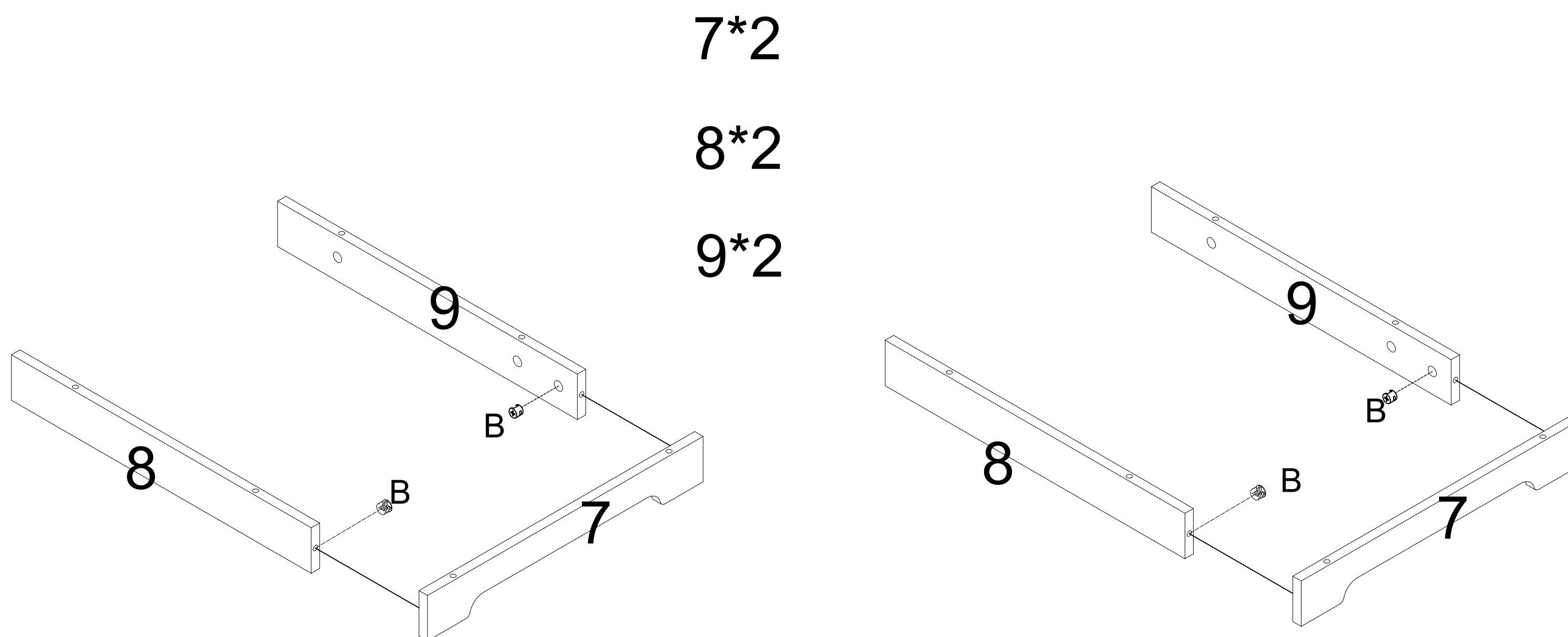
# STEP 17



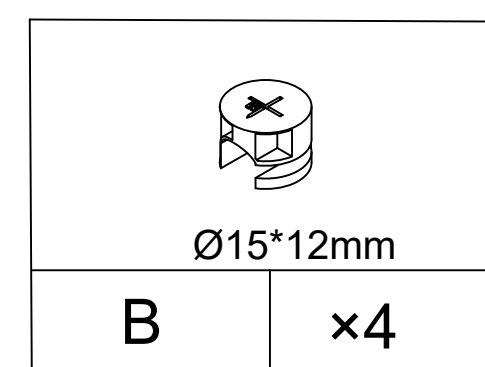
3\*1  
5\*1  
12\*2



# STEP 18



7\*2  
8\*2  
9\*2



# STEP19

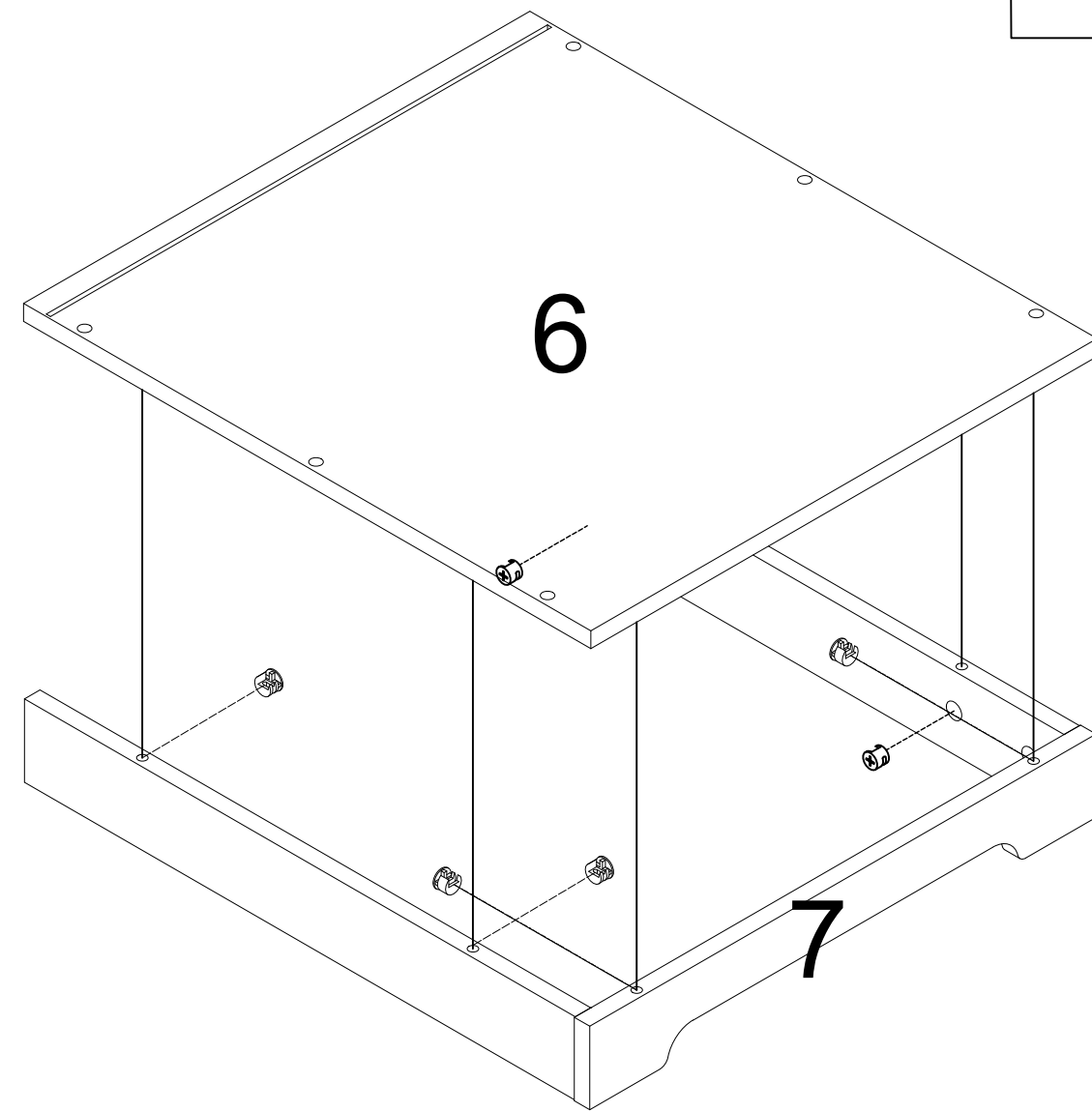
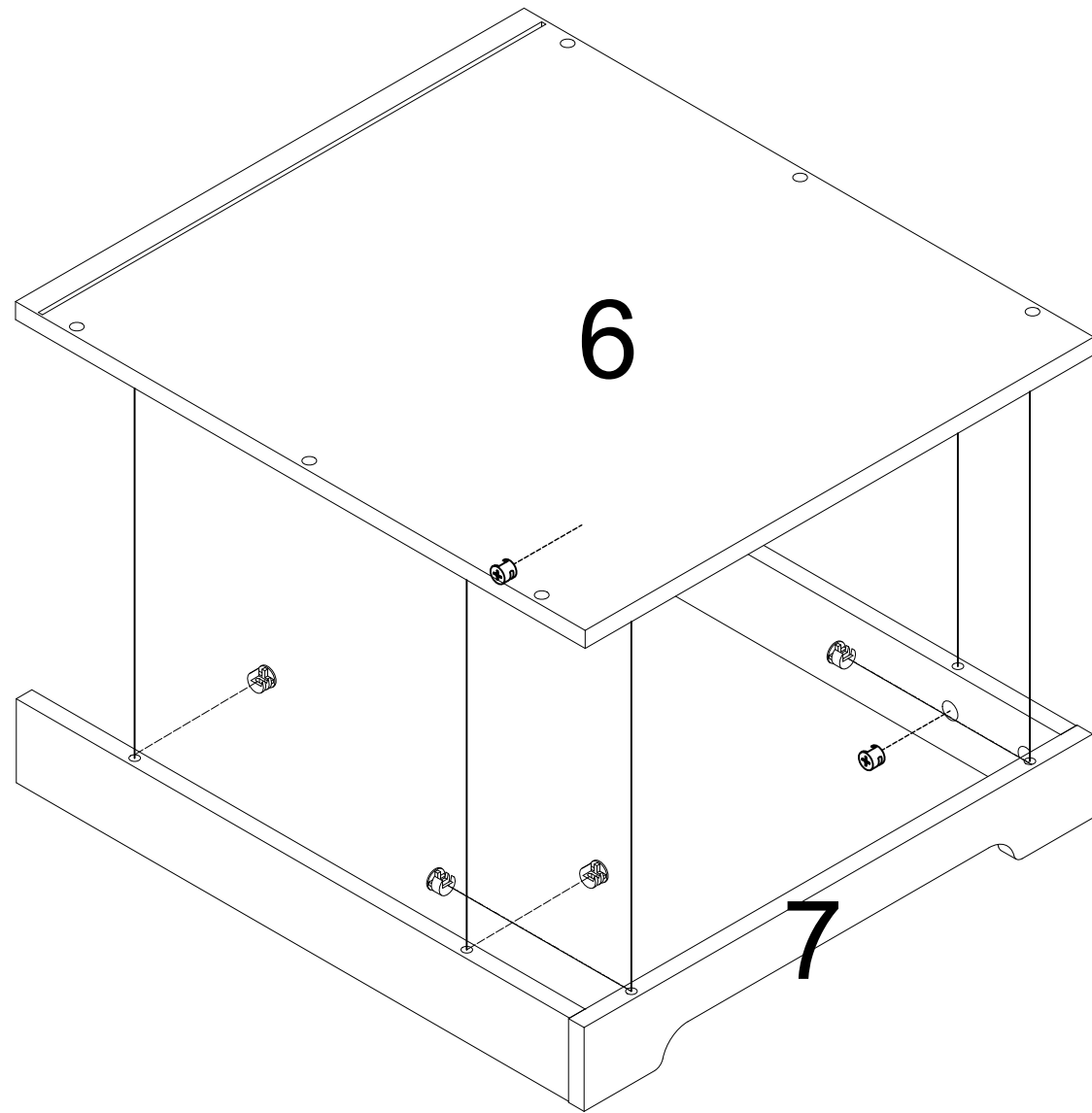
6\*2



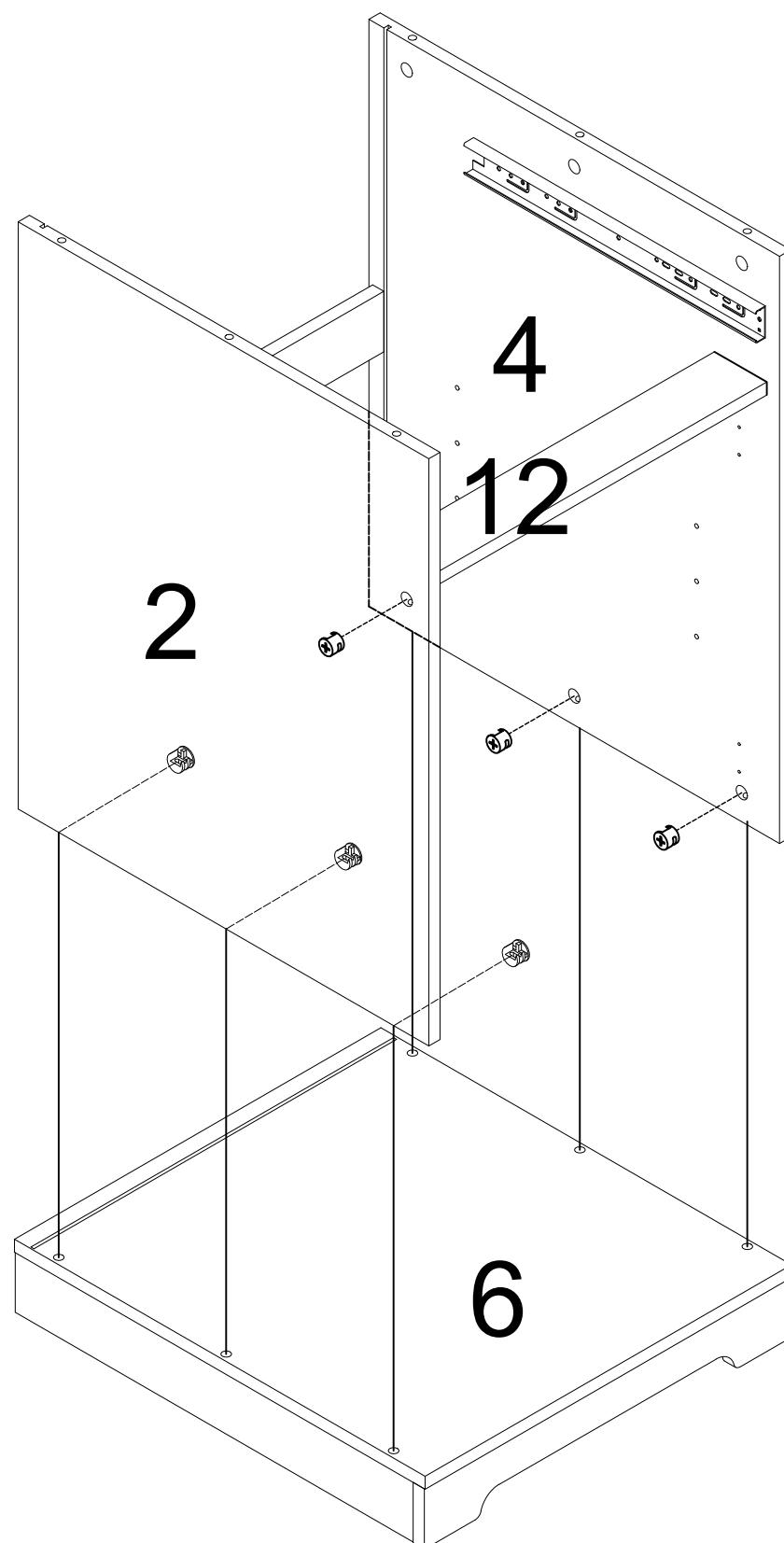
Ø15\*12mm

B

×12



# STEP20

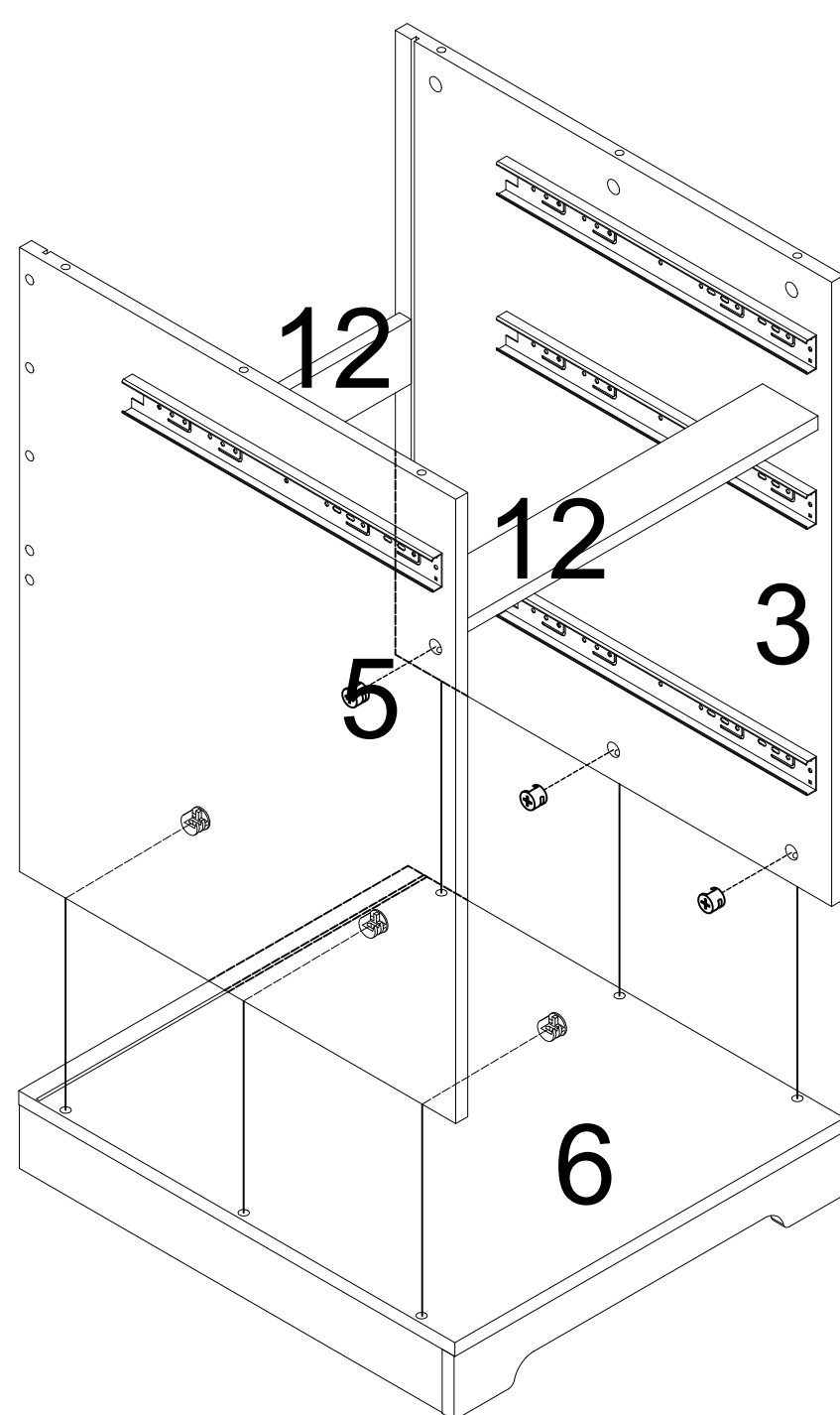



Ø15\*12mm

B

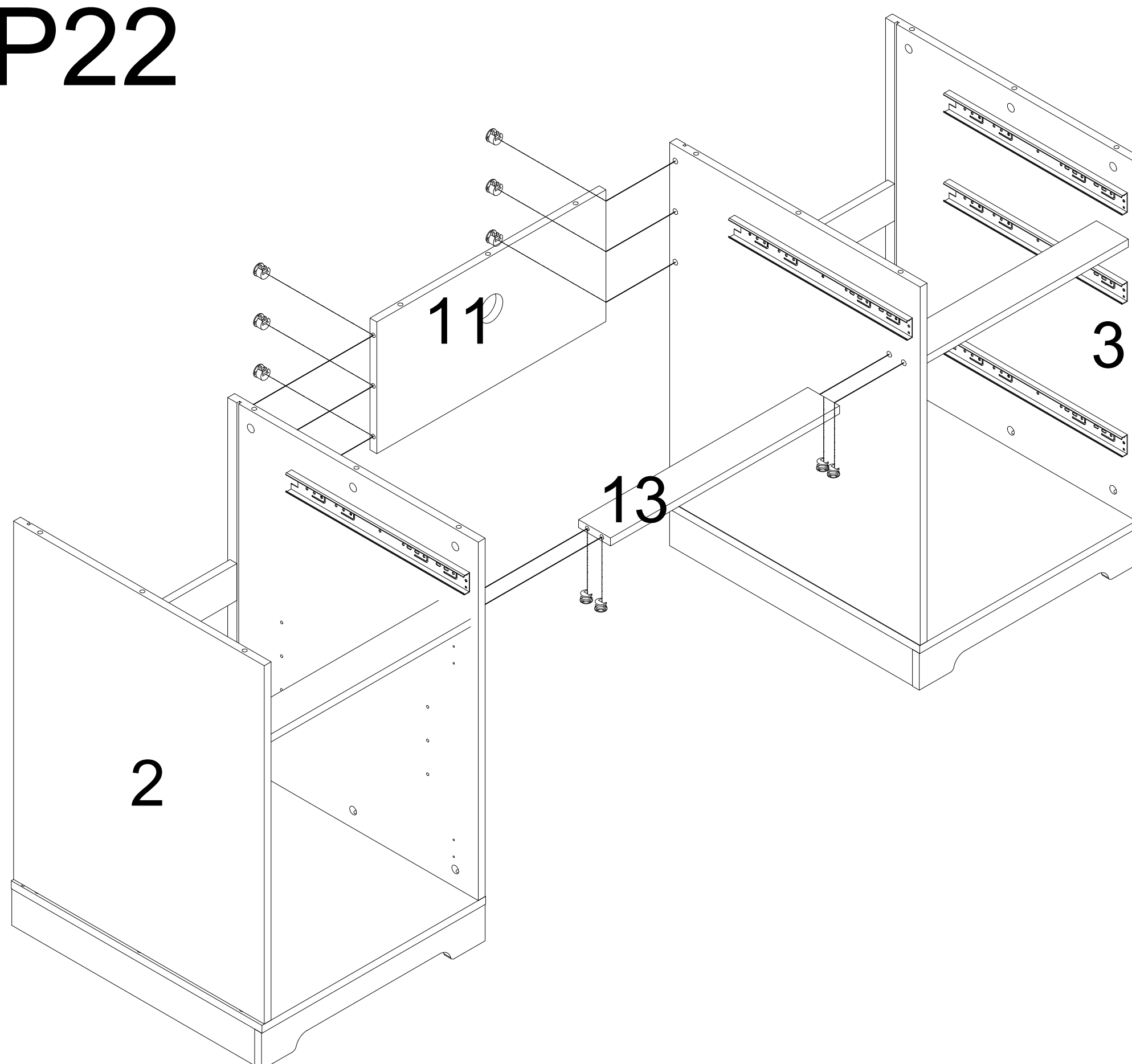
×6

# STEP21




	
Ø15*12mm	
B	×6

# STEP22



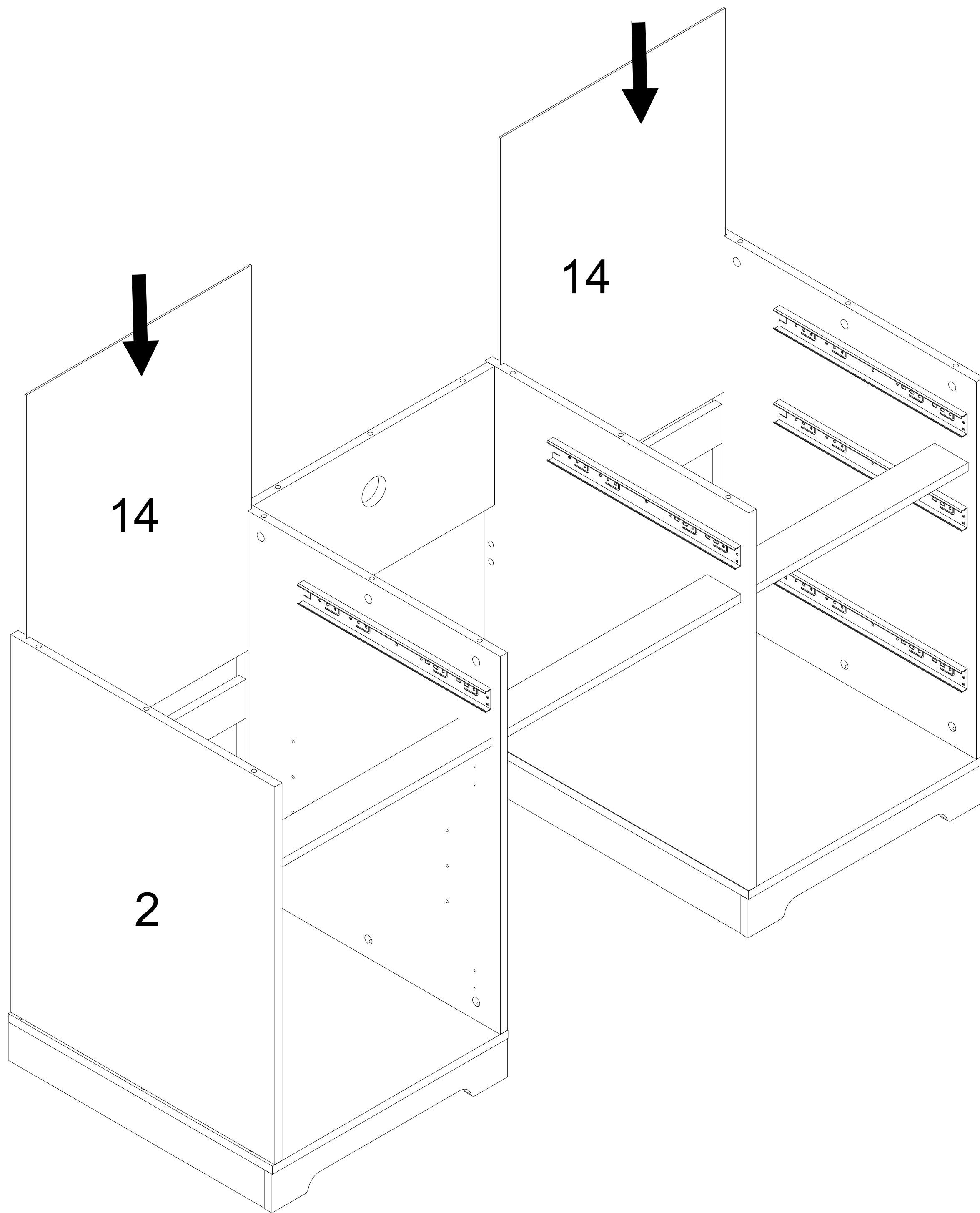
11\*1

13\*1

	
Ø15*12mm	
B	×10

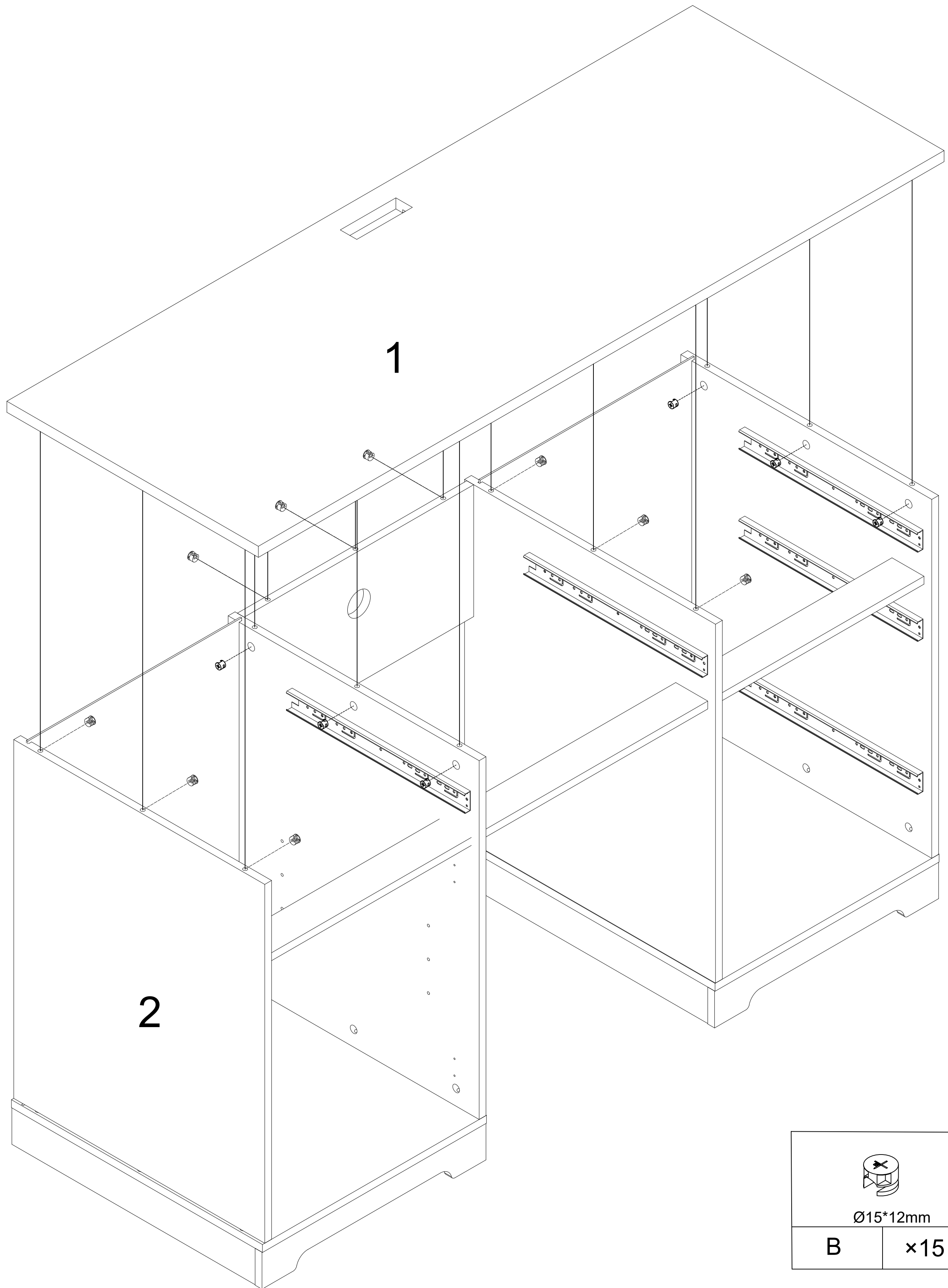
# STEP 23

14\*2

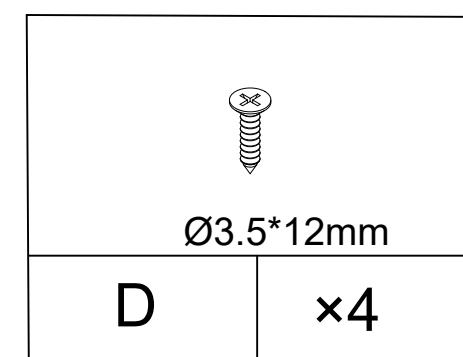
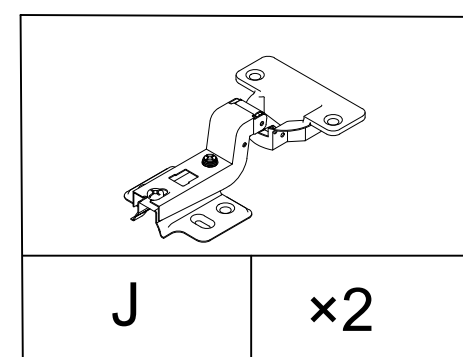
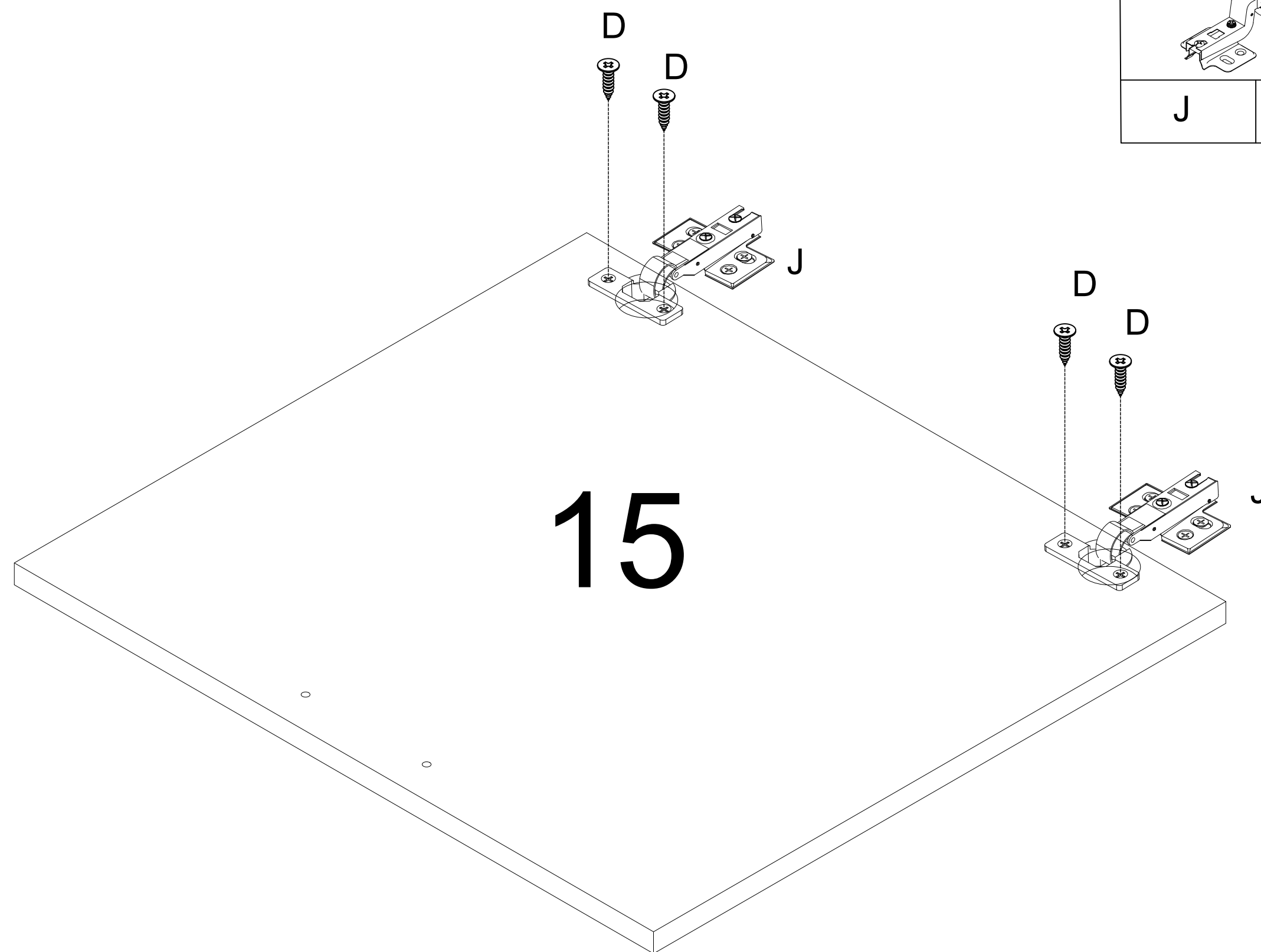


# STEP 24

1\*1

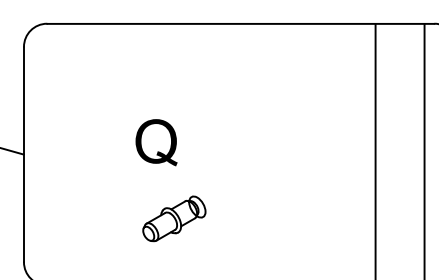
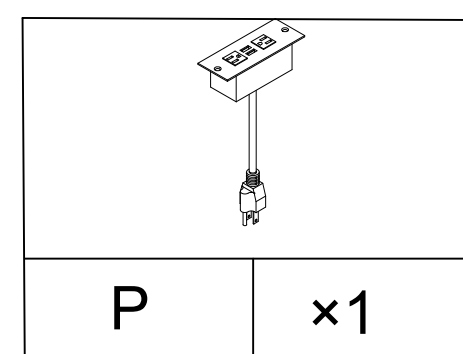
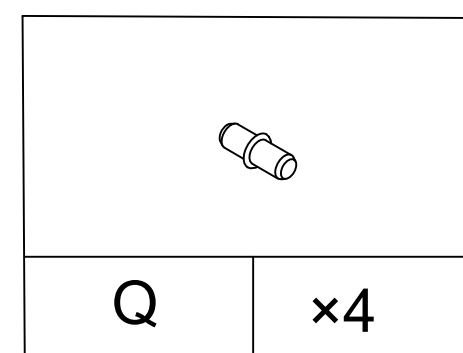
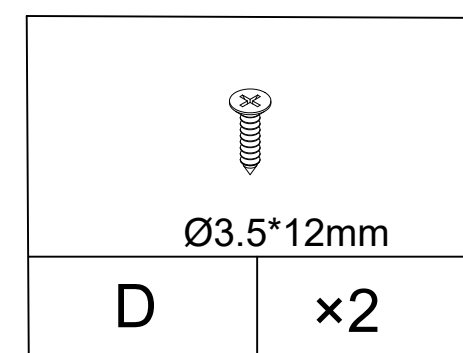
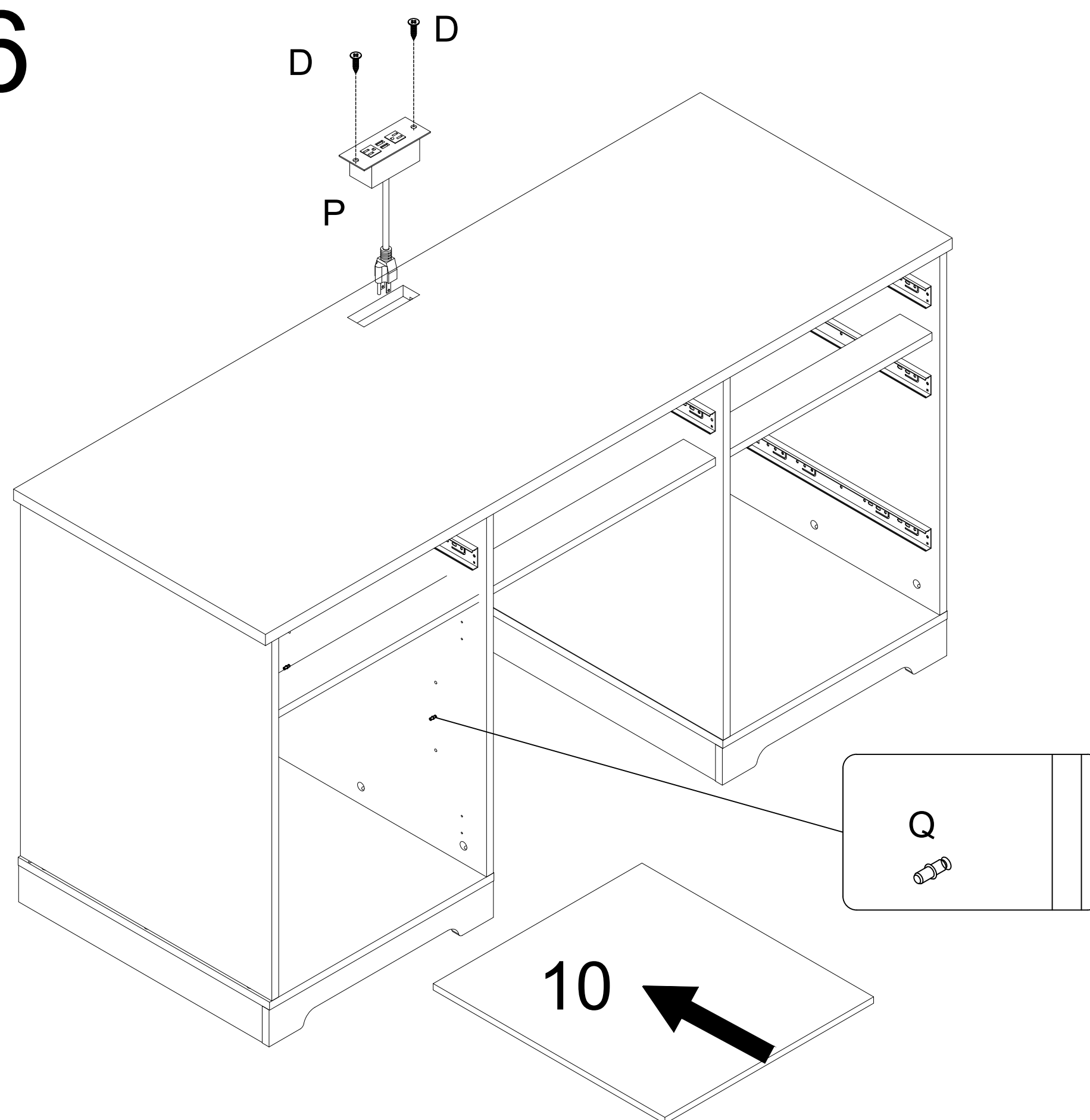


# STEP 25

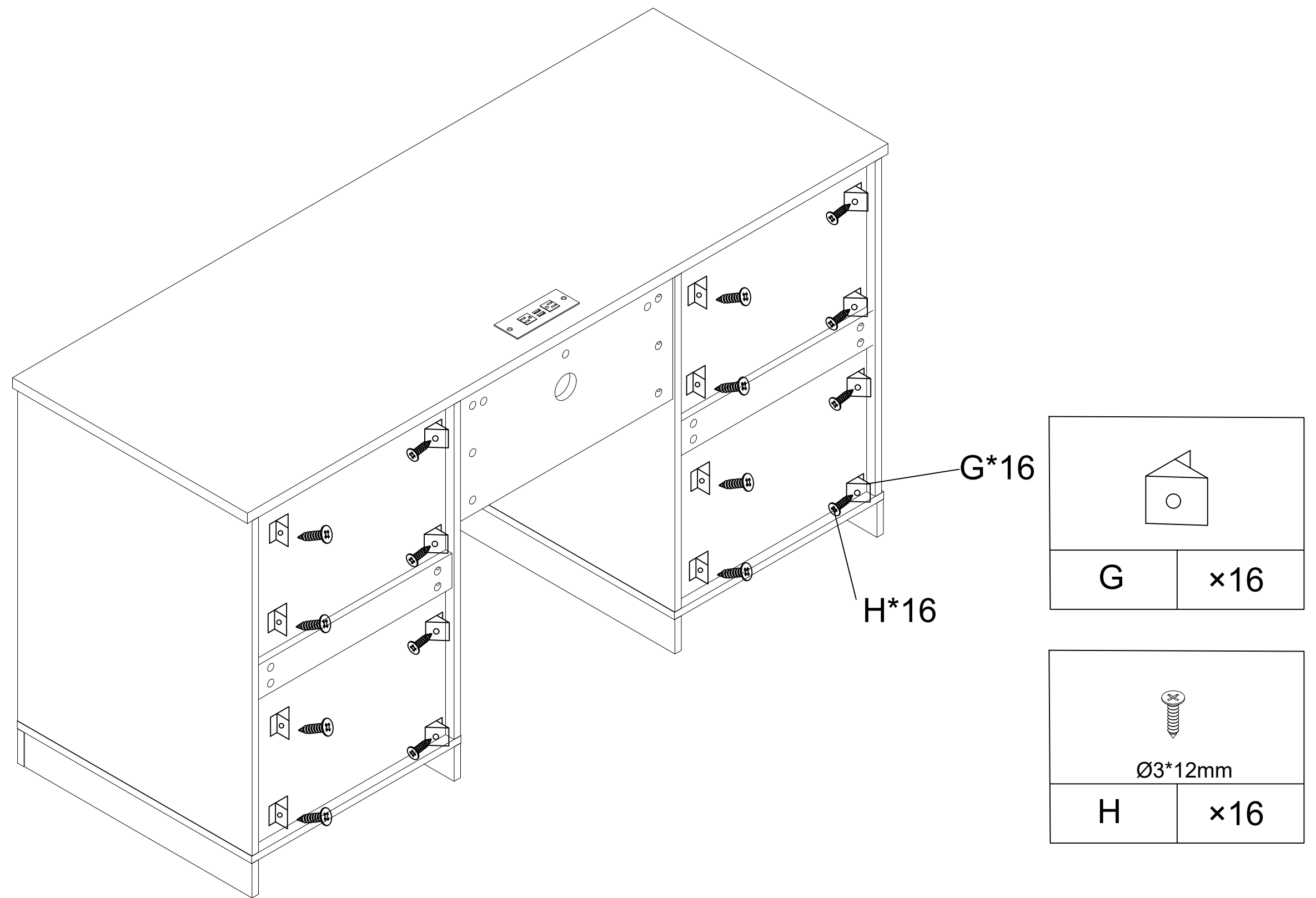


# STEP 26

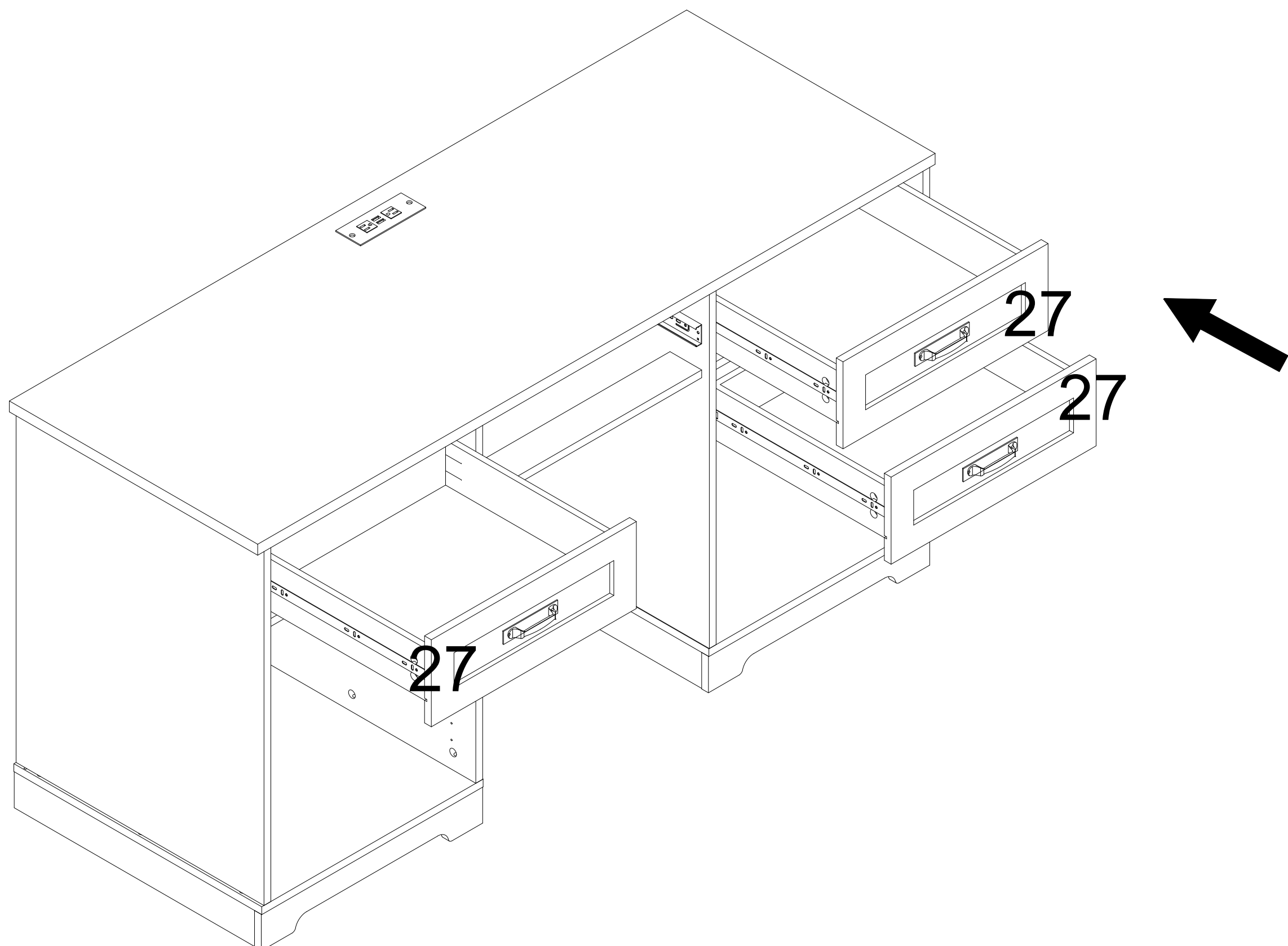
10\*1



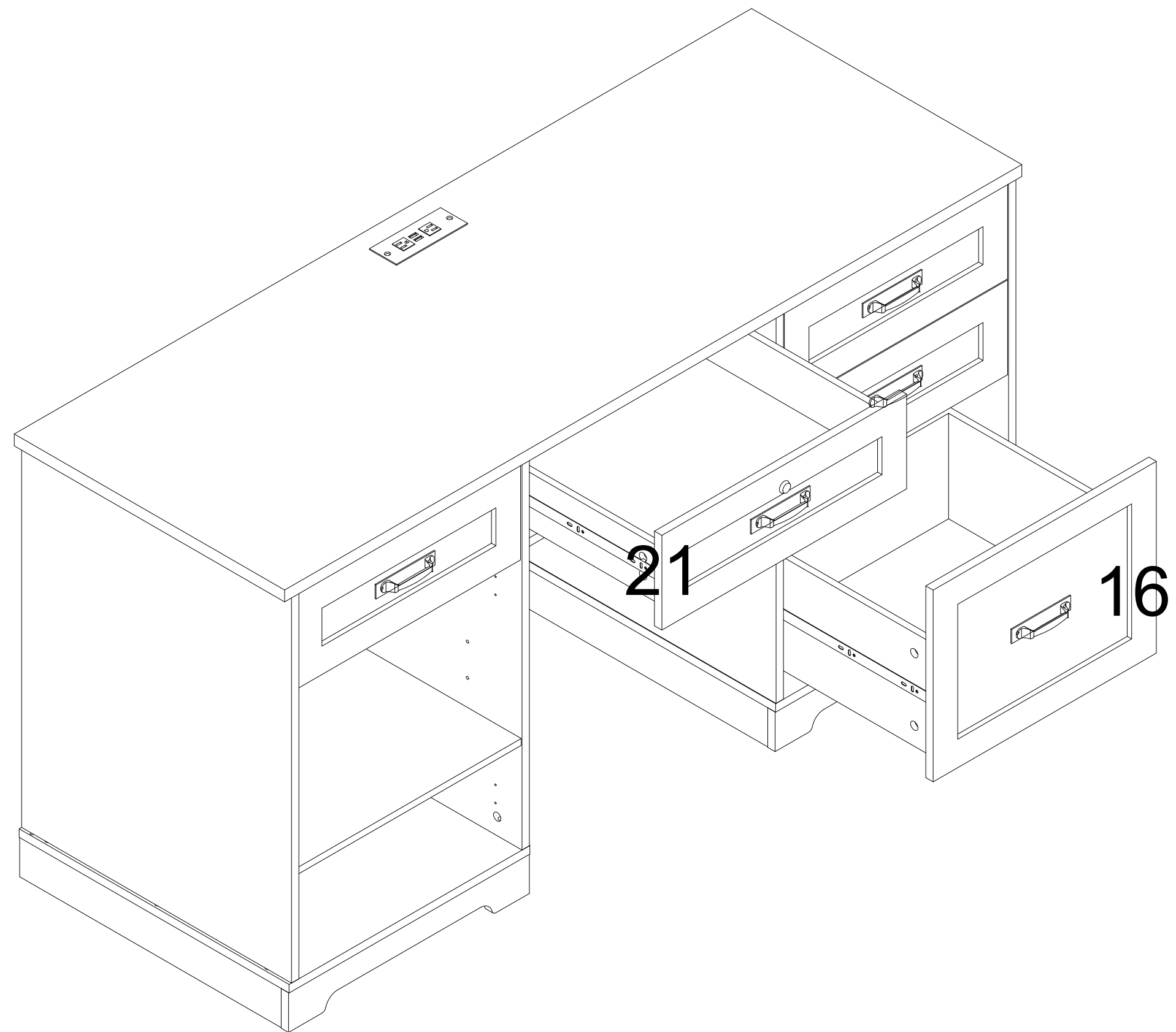
# STEP 27



# STEP 28

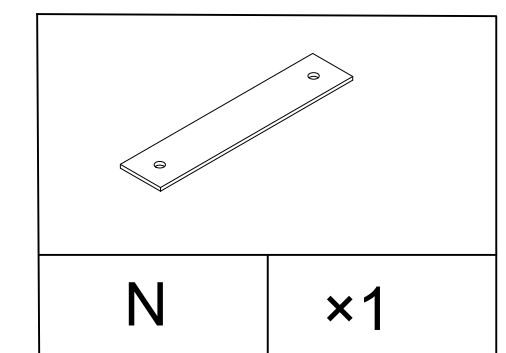
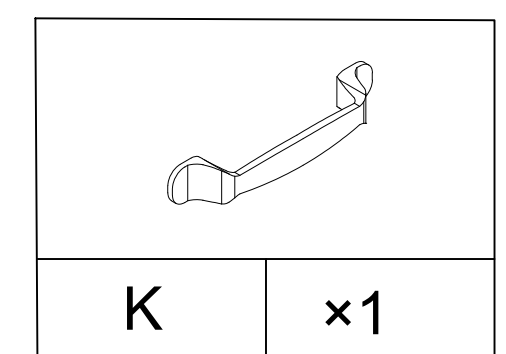
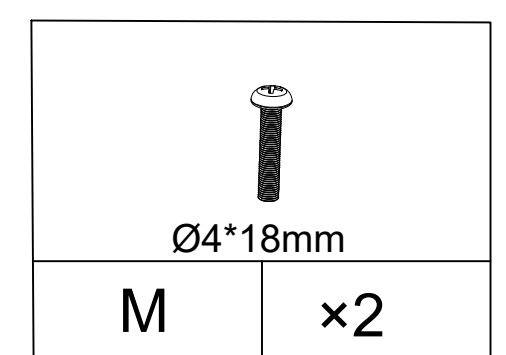
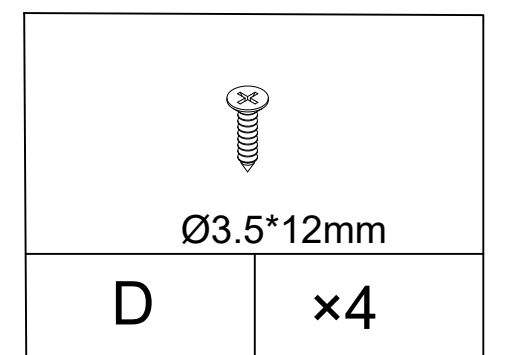
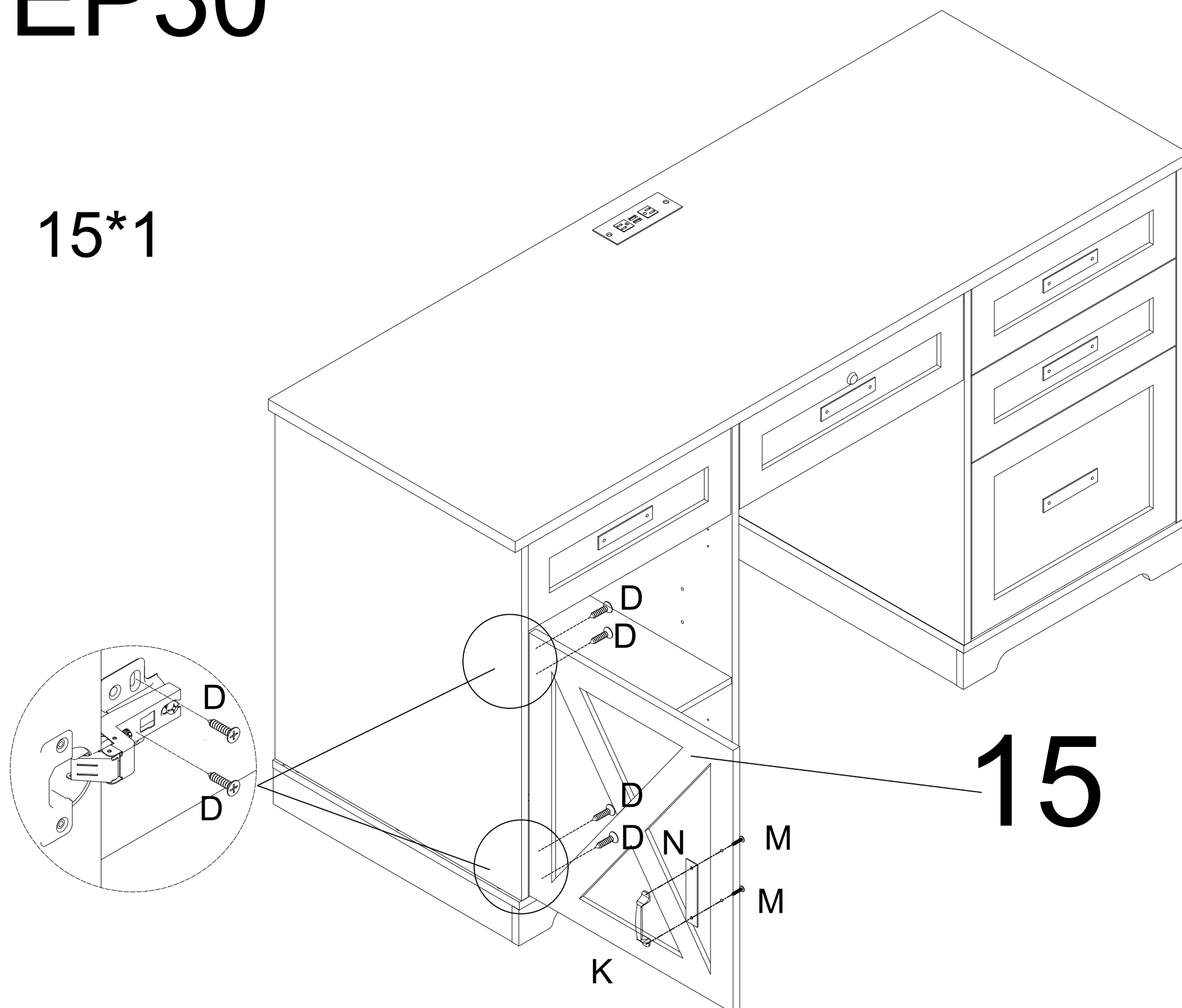


# STEP 29

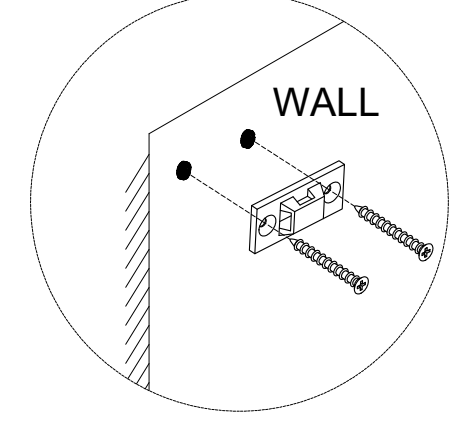
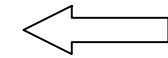
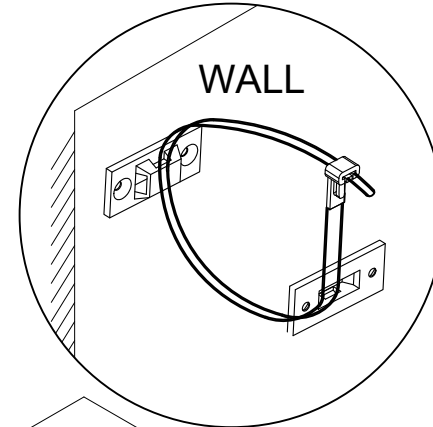
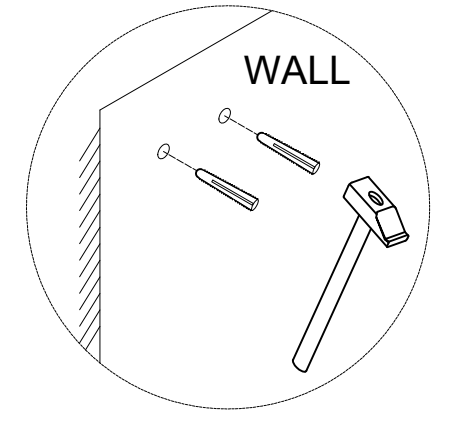
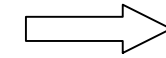
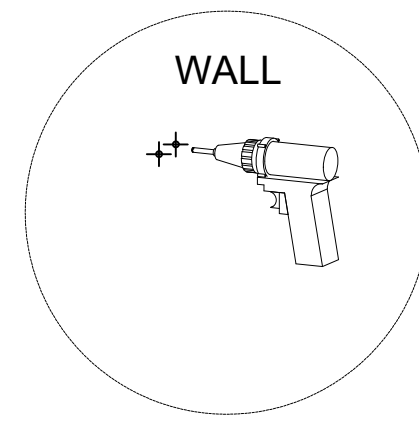
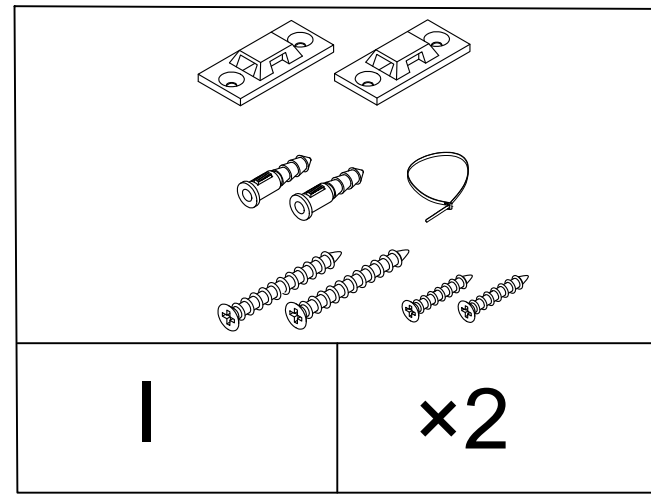


# STEP 30

15\*1



# STEP 31



WALL

