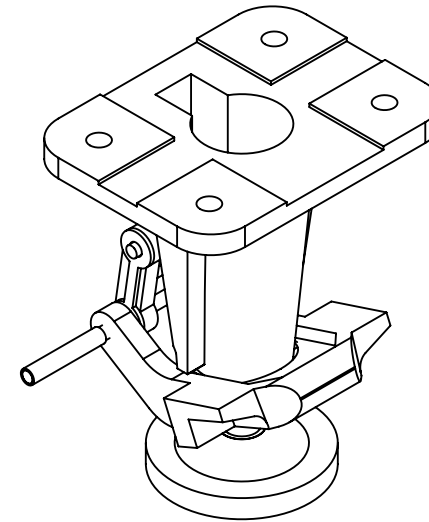
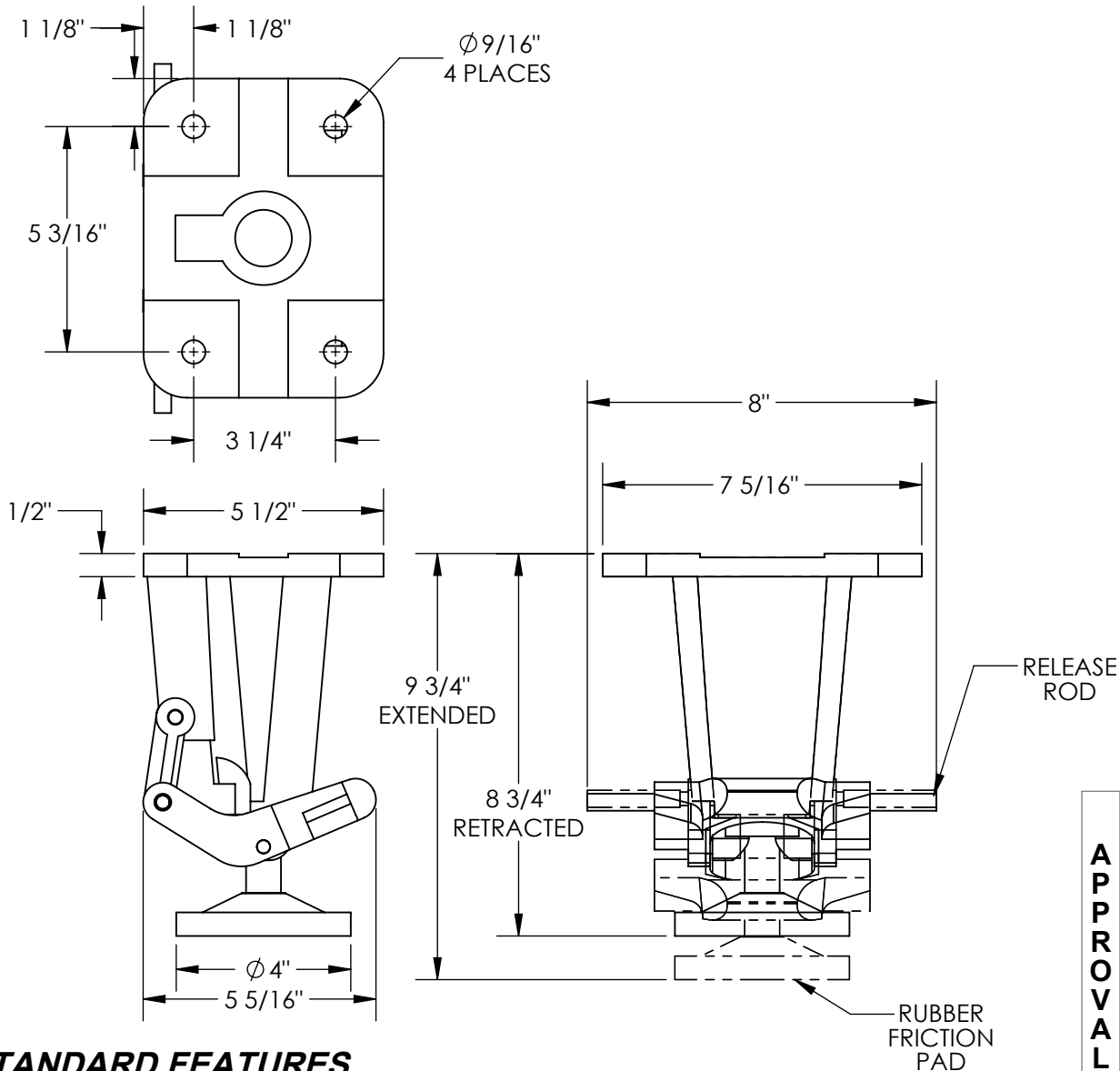


# GENERAL PURPOSE FLOOR LOCK - FL-LK-10

APPROX WEIGHT: 19.22 lbs.  
DOES NOT INCLUDE WEIGHT OF POWER OR PACKAGING!!!

\*\*\* ANY ADDITIONS, DELETIONS, OR OMISSIONS MUST BE CORRECTED ON THIS DRAWING AS THIS DRAWING WILL BE CONSIDERED ALL INCLUSIVE \*\*\*

ALL GRAPHICS PROVIDED ARE FOR REFERENCE ONLY. IF CERTAIN DIMENSIONS ARE CRITICAL PLEASE VERIFY THOSE DIMENSIONS WITH YOUR SALESPERSON



DIMENSION TOLERANCE  $\pm 1/4"$

I, THE UNDERSIGNED, AGREE THAT THE PRODUCT AS REPRESENTED SATISFIES DESIGN AND DIMENSION REQUIREMENTS. I ALSO ACKNOWLEDGE MY DUTY TO CONFIRM PRODUCT AND INSTALLATION COMPLIANCE WITH ALL APPLICABLE FEDERAL, STATE AND LOCAL REGULATIONS AND STANDARDS.  
**ALL SPECIAL UNITS ARE NON-RETURNABLE**  
[ ] As drawn [ ] As marked

**APPROVAL**

Signed: \_\_\_\_\_ Date: \_\_\_\_\_

LEAD TIME WILL START UPON RECEIPT OF SIGNED APPROVAL DRAWING

## STANDARD FEATURES

- MODEL NUMBER IS FL-LK-10
- OVERALL WIDTH IS 8"
- OVERALL LENGTH IS 5 1/2"
- OVERALL HEIGHT IS 9 3/4" WHEN EXTENDED
- MOUNTING HEIGHT IS 9 15/16"
- USED WITH CATER SIZE 8"
- MOUNTING, HARDWARE NOT INCLUDED

## SPECIAL FEATURES

NONE

DISTRIBUTOR'S NAME:		P.O.#
VESTIL MANUFACTURING		X
DRAWN BY: RS	DATE: 08/09/2012	W.O.#
REFERENCE: X	SCALE: 1:4	X
QUOTED LEAD TIME: X	QUOTE #	SALES: X
	X	FILE NAME:
		16-007-348